



USER MANUAL

Руководство по эксплуатации

CORDLESS SCREWDRIVER

ОТВЕРТКА АККУМУЛЯТОРНАЯ

CSL-3.6-01

26001



IMPORTANT
ВНИМАНИЕ

Read this manual before use and retain for future reference.

Прочитайте данное руководство перед эксплуатацией устройства и сохраните его для дальнейшего использования.

The date of manufacture is indicated on the product.

Дата изготовления указана на изделии.

CONTENT

PROPER USAGE AND GENERAL INFORMATION.....	3
ACCESSORIES	3
SPECIFICATIONS	3
SAFETY WARNINGS	4
GENERAL SAFETY INSTRUCTIONS FOR ELECTRIC TOOLS.....	4
HANDLING INSTRUCTIONS	6
OPERATION.....	6
NOISE AND VIBRATION	8
MAINTENANCE	8
RECYCLING.....	9
TRANSPORTATION.....	9
STORAGE.....	9
LIFE TIME.....	9
WARRANTY OBLIGATIONS	9

EN

PROPER USAGE AND GENERAL INFORMATION

Cordless screwdriver (hereinafter referred to as "machine", "tool") is designed for screwing / unscrewing screws and bolts when performing various installation works.

The device is designed for usage at a environment temperature from 0°C to 40°C, relative humidity not more than 80% and a lack of direct exposure of atmospheric condensation and excessive air dustiness.

Machine is suitable only for private use and must be used in intermittent duty not more than 20 hours per month. It is recommended to use on-loading not more than a nominal, during 10-15 minutes and then to have a break for 20-30 minutes. This usage mode enables to complete domestic tasks effectively and prevents the tool from a premature coming out of order.

This manual contains the information and the requirements necessary and sufficient for a sure, effective and secure use of the tool.

Due to ongoing activities in order to improve the tool the manufacture reserves the right to make minor changes in its construction, not mentioned in this manual and not worsening its consumer and operational properties, effective and secure use.

ACCESSORIES

Contents of delivery:

- | | |
|--|-------|
| 1. Cordless screwdriver | 1 pc. |
| 2. USB network adapter | 1 pc. |
| 3. Charging cable USB - MicroUSB | 1 pc. |
| 4. Set of bits 25 mm | 1 kit |
| 5. Magnetic adapter | 1 pc. |
| 6. Plastic case | 1 pc. |
| 7. Instruction manual with warranty card | 1 pc. |





SPECIFICATIONS

Parameter	Value
	CSL-3.6-01
Rechargeable battery type	Li-Ion
Battery rated voltage, V	3,6
Battery capacity, A*h	1,3
Number of gear speeds	1
Spindle speed, min ⁻¹	200
Maximum torque, H*m	4
Battery charging time, H	3-5
Adjustable torque settings	10+1
Reverse	Yes
Spindle lock	Yes
Illumination of the working area	Yes
Battery charge indicator	Yes
Charger power system settings V~ / Hz	230~ / 50

Parameter	Value
	CSL-3.6-01
Degree of protection against penetration of objects and liquids	IP20
Sound pressure level (L_{pA}), dB	62
Vibration level (a_h), m/c^2	2,5
Net weight, kg	0,42
Gross weight, kg	1,2

SAFETY WARNINGS

The following definitions indicate the degree of importance of each keyword. Read through the instructions and pay attention to these symbols.

	ATTENTION! Means a potentially dangerous situation, which can lead to injury.
	Electric Shock Risk!
	Flammability!
	ATTENTION! Read the manual attentively in order to reduce risk of injury.

GENERAL SAFETY INSTRUCTIONS FOR ELECTRIC TOOLS



WARNING!

Before starting work read all safety information and instructions.

Keep all safety instructions for subsequent use

The Term «electric tool» refers to your network (with cable) or battery power (wireless) tool in all instructions below.

Workplace safety

- Keep the workplace clean and provide good lighting. Bad lighting or mess at work can lead to an accident.
- Do not use power tools if there is a danger of fire or explosion, for example, near flammable liquids, gas or dust. During the work electric tools create spark discharges, which can ignite dust or combustible vapors.
- While working with power tools do not keep close children or unauthorized persons. A distraction may cause a loss of control over the workflow.

Electrical safety

- Charger plug must match a power outlet. In no case do not modify the power plug. The usage of an original plug and a corresponding power outlet reduces the risk of electric shock.

b) While working with electric tool avoid physical contact with grounded objects such as pipelines, radiators, electric stoves and refrigerators. Electric shock risk increases if your body is grounded.

Personal safety

While working with electric tools be careful, watch what you do, and use common sense. Do not use electric tool, if you are tired, as well as being under the influence of alcohol or drugs lowering the reaction and other remedies. The slightest negligence may cause serious injury while working with electric tools.

Use of electric tools and technical care

- Do not overload the electric tool. Use your tool for its intended purpose. The electric tool works safe and secure only if the parameters specified in its technical specifications are respected.
- Do not use the electric tool if its switch can not be set to the on or off position. Electric tool with a faulty switch is dangerous and must be repaired.
- Use electric tool, accessories and nozzles in accordance with this manual and taking into account the working conditions and nature of future work. Misuse of the electric tool can create a hazardous situation.

Maintenance

Your electric tool must be repaired only by qualified specialists using original spare parts. This will ensure safety and reliability of your electric tool in further use.

Special safety warnings when working with battery machines

- Battery recharge should be done using the charger specified by the manufacturer (supplied). Charger suitable for one type of battery may cause a fire when using a different type of battery;
- The machine has an independent power source (battery) and always ready to go. Avoid accidentally pressing the switch — it may cause injury and other damage.
- Do not open the body, there is a danger of a short circuit, which could cause a fire or explosion.
- Protect the battery from high temperatures, prolonged exposure to direct sunlight and fire. There may be an explosion hazard.
- When performing operations in which the contact of fasteners (twisted screws or screws) with hidden wiring is possible, hold the machine only on insulated surfaces designed to hold by hand. When they come into contact with the live wire, accessible metal parts of the machine are energized, whereby the operator may be shocked by electrical current.
- Use appropriate metal locator and detectors to determine the locations of hidden communications and / or ask for help to the appropriate public utility. Contact with electrical wiring may cause electric shock and fire; pipeline damage - to an explosion; damage to plumbing - to property damage.

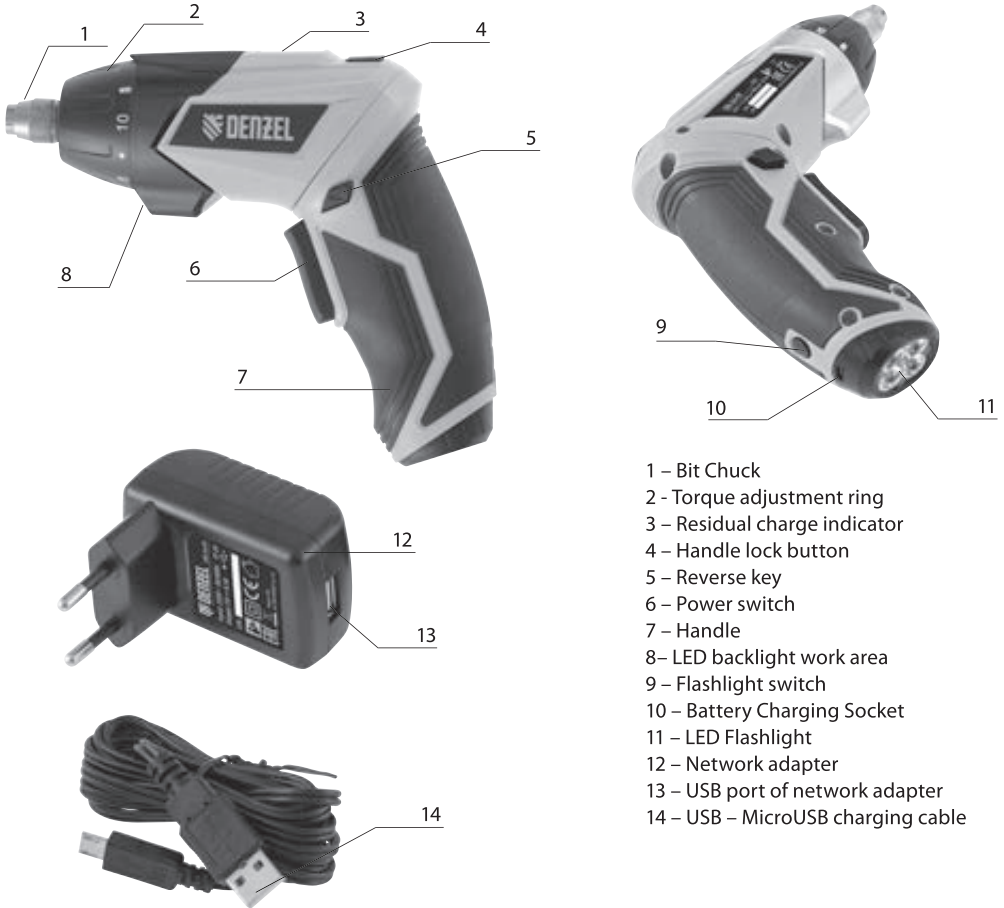
Residual risks

In spite of the compliance with relevant security means instructions and use of safety devices, some residual risks cannot be completely eliminated. They are:

- Risk of pinching fingers when changing working tool.
- Damage to health due to vibration appearing at work.

HANDLING INSTRUCTIONS

General view of the tool is shown on picture 1.



- 1 – Bit Chuck
- 2 - Torque adjustment ring
- 3 – Residual charge indicator
- 4 – Handle lock button
- 5 – Reverse key
- 6 – Power switch
- 7 – Handle
- 8– LED backlight work area
- 9 – Flashlight switch
- 10 – Battery Charging Socket
- 11 – LED Flashlight
- 12 – Network adapter
- 13 – USB port of network adapter
- 14 – USB – MicroUSB charging cable

Pic. 1

OPERATION

Machine structure

The machine consists of a plastic case with a collector motor and a planetary gear located in it. The gearbox is equipped with an adjustable mechanical clutch, providing a limitation of the maximum torque on the output shaft. The gearbox is equipped with an interlock clutch, allowing to tighten or tear manually tightly tightened screw connections. The housing is pivotally connected to the handle 7 (pic. 1), that allows you to choose the most comfortable position when working. The handle contains a battery, LED flashlight and a socket for connecting a charging cable.

The screwdriver is equipped with a residual charge indicator 3 (pic. 1), which turns on simultaneously with the engine by the power switch 6 (pic. 1). The indicator turns off automatically after 3 ... 4 seconds from the moment the switch 6 (pic. 1) is released.

Before using the tool you must:

- after transportation in winter conditions before turning on, withstand at room temperature until complete drying of water condensate;
- wipe the exterior of the machine with a cloth;
- check charger supply voltage. The power supply voltage must match the value indicated on the charger label;
- try the machine idling (also after replacing a bit).

Battery charge



ATTENTION!

The charger should only be connected to a single phase ac power the voltage of which corresponds to the voltage indicated on the label.

Insert network adapter 12 (pic. 1) to a power outlet. Connect the supplied cable 14 (pic. 1) to the jacks 10 and 13. On indicator 3 (pic. 1), the red segment will turn on, which indicates the ongoing charging process. Other cables and network adapters compatible with USB standards may be used to charge the battery.

When the battery reaches full charge, indicator 3 (pic. 1) will light completely (three segments). During battery charging, no power is supplied to the engine switch.

Installation and removal of the tooling

To install or remove the tooling move the chuck coupling forward, away from the gear housing and install or remove the hex shank tooling. The cartridge is equipped with a magnet to prevent the tooling from falling out when opening the cartridge.

Reversal of rotation

The direction of rotation of the spindle is changed by a switch 5 (pic. 1). The switch has 3 fixed positions. When you press the switch on the right until it stops– right-hand spindle rotation is activated, when press to the left – left-hand. Corresponding symbols are printed on the movable switch bar. The middle position of the switch corresponds to the lock of the engine switch, at the same time, when you press the switch the power does not move to the motor, and only the work area illumination indicator turns on.

Switching speeds / modes

Switching is carried out using the switch 3 (pic. 1). The switch has two positions, indicated by numbers «1» и «2». Position "1" corresponds to a lower speed of rotation of the chuck; this mode is designed for screwing and unscrewing screws and other works, requiring the application of significant torque. In this position of the switch tool develops maximum torque.

Position "2" corresponds to the increased speed of rotation of the chuck; this mode is designed to perform the most efficient drilling. The maximum torque at this position of the switch is less than at the position "1".

In case, the switch 3 does not reach the end position, you need to bring it back, turn the machine on and off by briefly pressing the switch, perform a speed change after stopping the engine.

Speed adjustment

The cordless screwdriver is not equipped with a spindle speed control system. Work is carried out at a constant speed indicated in the "Specifications" section.

Torque adjustment

Limit torque restriction function allows you to choose the optimal effort of tightening screws, depending on their size and working conditions. The choice of the optimal tightening force is carried out empirically.

Change of the torque limit is carried out by setting ring 2 to the position indicated by the arrow located at the top of the case.

- positions 1... 10 serve for screwing in / out screws, however, a higher number in the position designation corresponds to a higher torque;

– position  is for drilling, wherein torque limiting function is blocked. Drilling can be carried out using special drills having a hexagonal shank.

NOTE. Numeric values indicated on the ring 2 (pic. 1) do not reflect torque values expressed in newton meters, and indicate exclusively the ordinal position of the adjustment ring.

Gearbox is equipped with output shaft locking clutch, which allows you to tighten or tear off manually tightened threaded connections.

Illumination of the working area

LED backlight work area turns on simultaneously with the engine when you press the switch key. The backlight turns off when you release the key.

Handle adjustment

For convenience during operation, the position of the main handle of the screwdriver can be changed. To do this, press button 4 (pic. 1) and turn the handle 180 degrees. When you release the button, the handle is locked in one of the two extreme positions.

Turn on the flashlight

Cordless screwdriver is equipped with LED light 11 (pic. 1). To turn on the flashlight, press button 9 (pic. 1), to turn off the flashlight, press the button 9 again.

NOISE AND VIBRATION

Noise and vibration characteristics are given in the table №1.

The noise and vibration levels specified in this manual is measured by measurement method, prescribed in the standard, and can be used to compare. However, if the Electrical Rotary Hammer will be used for other work with the use of working tools, not provided by the manufacturer, or maintenance will not meet the requirements, then the vibration level may be different.

MAINTENANCE

- If you have noticed a decrease in the efficiency of the tool, extraneous noise or smell then you must contact the service center for timely diagnosis and repair.

- Tooling maintenance. The use of the worn working tool reduces the effectiveness of the work and may result in motor or gearbox failure, so you need to sharpen periodically or replace worn removable tools, as soon as there is a need.

Possible faults

Fault	Probable cause	Elimination method
The machine does not turn on, the charge indicator is not lit.	Low battery.	Charge the battery.
	Defective switch.	Call the service center.
The machine does not turn on, the charge indicator is lit.	Engine malfunction.	Call the service center.
Increased noise inside the case.	Worn or broken gearbox.	Call the service center.
	Engine malfunction.	Call the service center.
Tooling is not fixed or removed from the chuck.	Chuck clogging.	Remove the tooling and clean the chuck with compressed air.
The battery is not charging, the lights is on.	Battery fault.	Replace battery.
	Charger malfunction.	Call the service center or replace the charger.

STORAGE & TRANSPORTATION

During the assigned service life, store Electrical Rotary Hammer in a dry heated room. Recommended storage temperature from 0 °C to + 40 °C. Store the tool in original packaging. Store batteries in a charged state.

Before placing the tool in storage remove the tooling.

During the transportation it is unacceptable direct exposure of precipitation, direct sunlight, heat and shock. Transportation should be carried out only in original packaging at ambient temperature from - 20 °C to + 40 °C.

RECYCLING

A tool, developed a designated service life, must be recycled according the rules established by environmental and other laws of the country, where the tool is operated.

STORAGE

During the assigned service life, store the tool in a dry heated room. Recommended storage temperature from 0 °C to + 40 °C. Store the tool in original packaging. Store batteries in a charged state.

Before placing the tool in storage remove the tooling.

LIFE TIME

Average product life time is 3 years if the customer follows the rules of operation.

WARRANTY OBLIGATIONS

The product is covered by the manufacturer's warranty.

The warranty period is specified in the warranty card and calculated from the date of sale. Terms of warranty service are given in the warranty card.

The Cordless Screwdriver conforms to the specifications if the following directives and harmonized standards:

EC Council Directive 2006/42/EC

2006/42/EC

2014/30/EU

2011/65/EU

EN 60745-1

EN 60745-2-2

EN 55014-1

EN 55014-2

EN 50581

Made in PRC.



СОДЕРЖАНИЕ

НАЗНАЧЕНИЕ И ОБЩАЯ ИНФОРМАЦИЯ	11
КОМПЛЕКТНОСТЬ	11
ТЕХНИЧЕСКИЕ ХАРАКТЕРИСТИКИ	11
ПРЕДУПРЕЖДЕНИЯ БЕЗОПАСНОСТИ.....	12
ОБЩИЕ ПРАВИЛА БЕЗОПАСНОСТИ ПРИ РАБОТЕ С ЭЛЕКТРОИНСТРУМЕНТАМИ.....	12
ТЕХНИЧЕСКОЕ ОБСЛУЖИВАНИЕ.....	13
УСТРОЙСТВО И ПРИНЦИП РАБОТЫ	14
ШУМ И ВИБРАЦИЯ.....	16
ОБСЛУЖИВАНИЕ	17
ХРАНЕНИЕ И ТРАНСПОРТИРОВКА	17
УТИЛИЗАЦИЯ	17
СРОК СЛУЖБЫ	17
ГАРАНТИЙНЫЕ ОБЯЗАТЕЛЬСТВА.....	17
ИМПОРТЕР	18
ДЛЯ ЗАМЕТОК	19

НАЗНАЧЕНИЕ И ОБЩАЯ ИНФОРМАЦИЯ

Отвертка электрическая аккумуляторная (далее по тексту «машина», «инструмент») предназначена для ввинчивания/вывинчивания винтов и шурупов при выполнении различных монтажных работ.

Машина применяется для эксплуатации при температуре окружающей среды от 0° С до +40° С, относительной влажности воздуха не более 80% и отсутствии прямого воздействия атмосферных осадков и чрезмерной запыленности воздуха.

Машина относится к бытовому классу инструмента и должна эксплуатироваться в повторно-кратковременном режиме с наработкой до 20 часов в месяц. Рекомендуется эксплуатация с нагрузкой, не превышающей номинальную, в течение 10-15 минут и последующим перерывом 20-30 минут. Такой режим эксплуатации позволяет эффективно выполнять все задачи, возникающие в быту, и предохраняет инструмент от преждевременного выхода из строя.

Настоящее руководство содержит сведения и требования, необходимые и достаточные для надежной, эффективной и безопасной эксплуатации инструмента.

В связи с постоянной деятельностью по совершенствованию инструмента изготовитель оставляет за собой право вносить в его конструкцию незначительные изменения, не отраженные в настоящем руководстве и не ухудшающие его потребительские и эксплуатационные свойства, безопасность и эффективность работы.

КОМПЛЕКТНОСТЬ

В комплект поставки входит:

1. Отвертка аккумуляторная	1 шт.
2. Сетевой адаптер USB	1 шт.
3. Кабель для зарядки USB - MicroUSB	1 шт.
4. Набор бит, 25 мм	1 компл.
5. Адаптер магнитный	1 шт.
6. Кейс пластиковый	1 шт.
7. Инструкция по эксплуатации с гарантийным талоном	1 шт.





ТЕХНИЧЕСКИЕ ХАРАКТЕРИСТИКИ

Параметр	Значение
	CSL-3,6-01
Тип АКБ	Li-Ion
Номинальное напряжение аккумуляторной батареи, В	3,6
Емкость аккумуляторной батареи, А•ч	1,3
Количество скоростей редуктора	1
Частота вращения шпинделя, об/мин	200
Максимальный крутящий момент, Н•м	4
Время зарядки АКБ, ч	3-5
Число ступеней регулировки крутящего момента	10+1
Реверс	Есть
Блокировка шпинделя	Есть


Параметр	Значение
	CSL-3,6-01
Подсветка рабочей зоны	Есть
Индикатор заряда АКБ	Есть
Параметры сети питания зарядного устройства, В~ /Гц	230~ /50
Степень защиты от проникновения предметов и жидкости	IP20
Уровень звукового давления (L_{pA}), дБ	62
Уровень вибраций (a_n), м/с ²	2,5
Масса изделия нетто, кг	0,42
Масса изделия брутто, кг	1,2

ПРЕДУПРЕЖДЕНИЯ БЕЗОПАСНОСТИ

Прочтите руководство по эксплуатации и обратите внимание на данные символы.

	ВНИМАНИЕ! Означает потенциально опасную ситуацию, которая может привести к получению травмы.
	Риск поражения электрическим током!
	Огнеопасность!
	ВНИМАНИЕ! Внимательно прочтите руководство по эксплуатации для снижения риска получения травмы.

ОБЩИЕ ПРАВИЛА БЕЗОПАСНОСТИ ПРИ РАБОТЕ С ЭЛЕКТРОИНСТРУМЕНТАМИ

	ВНИМАНИЕ! Перед началом работы внимательно прочтите все правила безопасности и инструкции.
--	--

Несоблюдение перечисленных ниже правил безопасности и инструкций может привести к поражению электрическим током, возникновению пожара и/или получению тяжелой травмы.

Сохраните все правила безопасности и инструкции для последующего использования

Термин «Электроинструмент» во всех приведенных ниже указаниях относится к вашему сетевому (с кабелем) или аккумуляторному (беспроводному) электроинструменту.

Безопасность рабочего места

- а) Содержите рабочее место в чистоте и обеспечьте хорошее освещение. Плохое освещение или беспорядок на рабочем месте может привести к несчастному случаю.
- б) Не используйте электроинструменты, если есть опасность возгорания или взрыва, например, вблизи легко воспламеняющихся жидкостей, газов или пыли. В процессе работы электроинструменты создают искровые разряды, которые могут воспламенить пыль или горючие пары.
- в) Во время работы с электроинструментом не подпускайте близко детей или посторонних лиц. Отвлечение внимания может вызвать у вас потерю контроля над рабочим процессом.

Электробезопасность

- а) Вилка зарядного устройства должна соответствовать штепсельной розетке. Ни в коем случае не видоизменяйте сетевую вилку. Использование оригинальной вилки и соответствующей ей штепсельной розетки уменьшает риск поражения электрическим током.
- б) Во время работы с электроинструментом избегайте физического контакта с заземленными объектами, такими как трубопроводы, радиаторы отопления, электроплиты и холодильники. Риск поражения электрическим током увеличивается, если ваше тело заземлено.

Личная безопасность

При работе с электроинструментами будьте внимательны, следите за тем, что вы делаете, и руководствуйтесь здравым смыслом. Не используйте электроинструмент, если вы устали, а также находясь под действием алкоголя или понижающих реакцию лекарственных препаратов и других средств. Малейшая неосторожность при работе с электроинструментами может привести к серьезной травме.

Использование электроинструментов и технический уход

- а) Не перегружайте электроинструмент. Используйте ваш инструмент по назначению. Электроинструмент работает надежно и безопасно только при соблюдении параметров, указанных в его технических характеристиках.
- б) Не используйте электроинструмент, если его выключатель не устанавливается в положение включения или выключения. Электроинструмент с неисправным выключателем представляет опасность и подлежит ремонту.
- в) Используйте электроинструмент, аксессуары и насадки в соответствии с данным руководством и с учетом рабочих условий и характера будущей работы. Использование электроинструмента не по назначению может создать опасную ситуацию.

Техническое обслуживание

Ремонт электроинструмента должен производиться только квалифицированными специалистами с использованием оригинальных запасных частей. Это обеспечит безопасность и надежность электроинструмента в дальнейшей эксплуатации.

Специальные предупреждения безопасности при работе с аккумуляторными машинами:

- а) Перезарядку аккумуляторной батареи следует осуществлять, используя зарядное устройство, указанное изготовителем (поставляемое в комплекте). Зарядное устройство, которое годится для одного типа аккумуляторной батареи, может вызвать пожар при использовании другого типа батареи;
- б) Машина имеет автономный источник питания (аккумуляторную батарею) и всегда готова к работе. Избегайте случайных нажатий на клавишу выключателя — это может привести к травмам и иным повреждениям;
- в) Не вскрывайте корпус машины, при этом возникает опасность короткого замыкания, что может привести к возникновению пожара или взрыва;
- г) Защищайте аккумуляторную батарею от воздействия высоких температур, длительного влияния прямых солнечных лучей и огня. Может возникнуть опасность взрыва;

д) Держите машину только за изолированные поверхности, предназначенные для удержания рукой, во время выполнения операций, при которых возможен контакт крепежных элементов (закручиваемых шурупов или винтов) со скрытой проводкой. При их контакте с проводом, находящимся под напряжением, доступные для прикосновения металлические части машины оказываются под напряжением, в результате чего оператор может быть поражен электрическим током;

е) Применяйте соответствующие металлоискатели и детекторы для определения мест расположения скрытых коммуникаций и (или) обращайтесь за справкой в соответствующее предприятие коммунального обслуживания. Контакт с электропроводкой может привести к поражению электрическим током и пожару; повреждение газопровода – к взрыву; повреждение водопровода – к материальному ущербу.

Остаточные риски

Несмотря на соблюдение соответствующих инструкций по технике безопасности и использование предохранительных устройств, некоторые остаточные риски невозможно полностью исключить. К ним относятся:

- риск защемления пальцев при смене рабочей оснастки;
- ущерб здоровью в результате воздействия вибрации, возникающей при работе.

УСТРОЙСТВО И ПРИНЦИП РАБОТЫ

Общий вид машины представлен на рисунке 1.

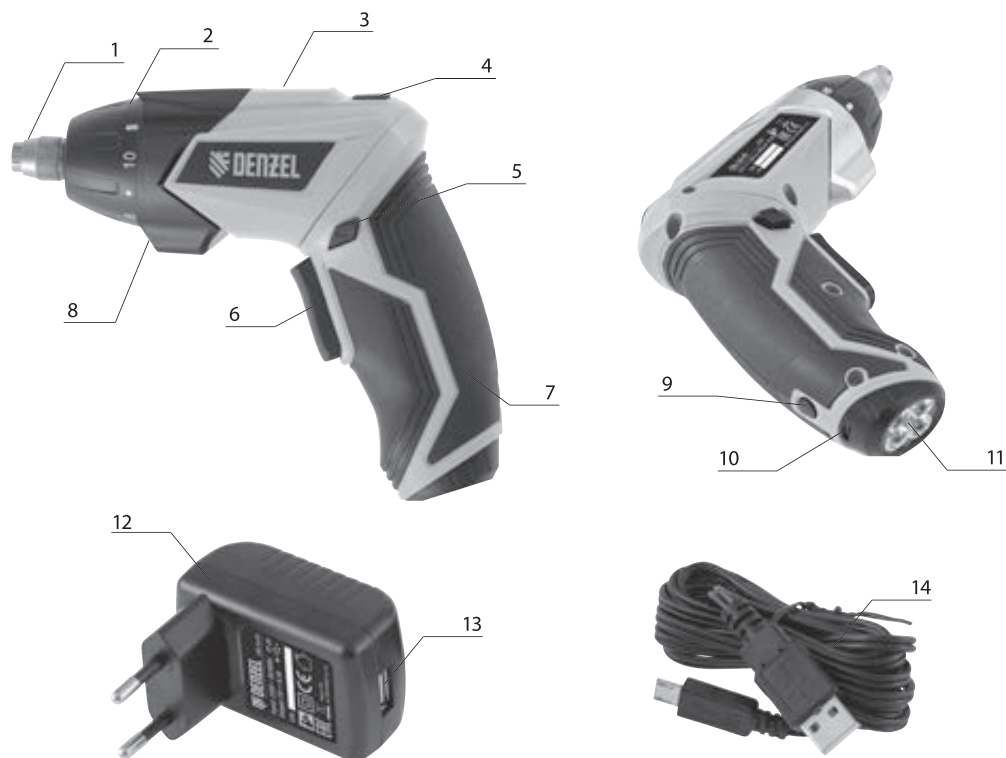


Рис.1

1. Патрон для бит
2. Кольцо регулировки крутящего момента
3. Индикатор остаточного заряда
4. Кнопка блокировки рукоятки
5. Клавиша реверса
6. Выключатель питания
7. Рукоятка
8. Светодиод подсветки рабочей зоны
9. Выключатель фонаря
10. Гнездо зарядки аккумулятора
11. LED-Фонарь
12. Сетевой адаптер
13. USB-порт сетевого адаптера
14. USB – MicroUSB кабель зарядки

Устройство машины

Машина состоит из пластмассового корпуса с расположенным в нем коллекторным двигателем постоянного тока и планетарным редуктором. Редуктор оборудован регулируемой механической муфтой, обеспечивающей ограничение предельного крутящего момента на выходном валу. Также редуктор снабжен муфтой блокировки, позволяющей вручную дотягивать или срывать сильно затянутые резьбовые соединения. Корпус шарнирно соединен с рукояткой 7 (рис. 1), что позволяет выбрать наиболее удобное ее положение при работе. В рукоятке находится аккумулятор, светодиодный фонарь и гнездо для подключения зарядного кабеля.

Отвертка оборудована индикатором остаточного заряда 3 (рис. 1), который включается одновременно с двигателем выключателем питания 6 (рис. 1). Отключение индикатора происходит автоматически через 3...4 секунды с момента отпущения выключателя 6 (рис. 1).

Перед началом эксплуатации машины необходимо:

- после транспортировки в зимних условиях, перед включением, выдержать машину при комнатной температуре до полного высыхания водяного конденсата;
- наружные поверхности машины протереть насухо ветошью;
- проверить напряжение питания зарядного устройства. Напряжение источника питания должно соответствовать значению, указанному на маркировочной табличке зарядного устройства;
- опробовать работу машины на холостом ходу (также после замены биты).

Зарядка батареи



ВНИМАНИЕ!

Зарядное устройство следует подключать только к однофазной сети переменного тока, напряжение которой соответствует напряжению, указанному на маркировочной табличке.

Вставьте сетевой адаптер 12 (рис. 1) в розетку сети питания. Подключите поставляемый в комплекте кабель 14 (рис. 1) к гнездам 10 и 13. На индикаторе 3 (рис. 1) включится красный сегмент, что свидетельствует об идущем процессе зарядки. Для зарядки аккумулятора допускается использование других кабелей и сетевых адаптеров, совместимых со стандартами USB.

По достижении полного заряда батареи индикатор 3 (рис. 1) будет светиться полностью (три сегмента). В процессе зарядки аккумулятора подача питания на выключатель двигателя не осуществляется.

Установка и снятие оснастки

Для установки или снятия оснастки сдвиньте муфту патрона вперед, по направлению от корпуса редуктора, и установите или извлеките оснастку с шестигранным хвостовиком. Патрон снабжен магнитом, предотвращающим выпадение оснастки при открытии патрона.

Изменение направления вращения

Изменение направления вращения шпинделя осуществляется переключателем 5 (рис. 1). Переключатель имеет 3 фиксированных положения. При нажатии до упора на переключатель справа включается правостороннее вращение шпинделя, при нажатии слева – левостороннее. Соответствующие символы нанесены на подвижную планку переключателя. Среднее положение переключателя соответствует блокировке выключателя двигателя, при этом при нажатии на выключатель питание на двигатель не подается, а включается только подсветка рабочей зоны.

Регулировка скорости


Аккумуляторная отвертка не оборудована системой регулировки частоты вращения шпинделя. Работа осуществляется при постоянной частоте вращения, указанной в разделе «Технические характеристики».

Регулировка предельного момента

Функция ограничения предельного момента позволяет выбрать оптимальное усилие затяжки винтов и шурупов в зависимости от их размера и условий работы. Выбор оптимального усилия затяжки осуществляется опытным путем.

Изменение предельного крутящего момента осуществляется установкой кольца 2 в положение, указываемое вилкой, расположенной в верхней части корпуса:

- положения 1-10 служат для ввинчивания/вывинчивания винтов и шурупов, при этом большее число в обозначении положения соответствует большему крутящему моменту;

- положение  служит для сверления, функция ограничения крутящего момента при этом блокируется. Сверление можно осуществлять с помощью специальных сверл, имеющих шестигранный хвостовик.

ПРИМЕЧАНИЕ. Цифровые значения, указанные на кольце 2 (рис. 1), не отражают величины крутящего момента, выраженной в ньютон-метрах, а указывают исключительно на порядковый номер положения регулировочного кольца.

Редуктор оборудован муфтой блокировки выходного вала, что позволяет дотягивать или срывать вручную сильно затянутые резьбовые соединения.

Подсветка рабочей зоны

Светодиод подсветки рабочей зоны включается при нажатии на клавишу выключателя одновременно с двигателем. Отключение подсветки происходит при отпускании клавиши.

Регулировка положения рукоятки

Для удобства при работе положение основной рукоятки отвертки можно изменить. Для этого нажмите на кнопку 4 (рис. 1) и поверните рукоятку на 180 градусов. При отпускании кнопки рукоятка фиксируется в одном из двух крайних положений.

Включение фонаря

Аккумуляторная отвертка оборудована светодиодным фонарем 11 (рис. 1). Для включения фонаря нажмите кнопку 9 (рис. 1), для выключения фонаря повторно нажмите на кнопку 9.

ШУМ И ВИБРАЦИЯ

Шумовые и вибрационные характеристики приведены в таблице №1.

Указанный в настоящем руководстве по эксплуатации уровень шума и вибрации измерен по методике измерения, прописанной в стандарте, и может быть использован для сравнения. Однако если инструмент будет использован для выполнения других работ с применением рабочих инструментов, не предусмотрен-

ных изготовителем, или техническое обслуживание не будет отвечать предписаниям, то уровень вибрации и шума может быть иным.

ОБСЛУЖИВАНИЕ

Если вы заметили снижение эффективности инструмента, посторонний шум или запах, то необходимо обратиться в центр технического обслуживания для своевременной диагностики и ремонта.

Обслуживание оснастки. Использование изношенного сменного инструмента снижает эффективность выполняемой работы и может привести к выходу из строя мотора или редуктора, поэтому необходимо периодически заменять износившийся сменный инструмент, как только в этом появляется необходимость.

Возможные неисправности

Неисправность	Вероятная причина	Метод устранения
Машина не включается, индикатор заряда не светится.	Разряжена батарея.	Зарядить батарею.
	Неисправен выключатель.	Обратиться в сервисный центр.
Машина не включается, индикатор заряда светится.	Неисправен двигатель.	Обратиться в сервисный центр.
Повышенный шум в редукторе.	Износ или поломка редуктора.	Обратиться в сервисный центр.
	Неисправность двигателя.	Обратиться в сервисный центр.
Оснастка не фиксируется или не извлекается из патрона.	Засорение патрона.	Извлечь оснастку и прочистить патрон сжатым воздухом.
Батарея не заряжается, индикатор светится.	Неисправность батареи.	Заменить батарею.
	Неисправность зарядного устройства.	Обратиться в сервисный центр или заменить зарядное устройство.

ХРАНЕНИЕ И ТРАНСПОРТИРОВКА

Во время назначенного срока службы храните инструмент в сухом отапливаемом помещении. Рекомендуемая температура хранения от 0° С до + 40° С. Инструмент храните в фирменной упаковке. Аккумуляторные батареи храните в заряженном состоянии.

Перед помещением инструмента на хранение снимите рабочую оснастку. Во время транспортировки недопустимо прямое воздействие осадков, прямых солнечных лучей, нагрева и ударов. Транспортировка должна осуществляться только в фирменной упаковке при температуре окружающей среды от -10° С до +40° С.

УТИЛИЗАЦИЯ

Машина, выработавшая назначенный срок службы, подлежит утилизации в соответствии с правилами, установленными природоохранным и иным законодательством страны, в которой эксплуатируется машина.

СРОК СЛУЖБЫ

Средний срок службы изделия при условии соблюдения потребителем правил эксплуатации составляет 3 года.

ГАРАНТИЙНЫЕ ОБЯЗАТЕЛЬСТВА

На изделие распространяется гарантия производителя.

Период гарантийного обслуживания указан в гарантийном талоне и исчисляется с момента продажи.

Правила гарантийного обслуживания приведены в гарантийном талоне.

ИМПОРТЕР

Импортер и продавец в РФ: ООО «МИР ИНСТРУМЕНТА», 142703, РФ, МО, г. Видное, ул. Радиальная 3-я, д. 8, пом. 1-Н, ком. 2; в РК: ТОО «Мир инструмента-Алматы», РК, Алматинская обл., Карасайский р-н, Ельтайский с/о, с. Береке. Телефон: +7 (495) 234-41-30.

Продукция соответствует требованиям:

ТР ТС 010/2011 «О безопасности машин и оборудования»,

ТР ТС 020/2011 «Электромагнитная совместимость технических средств»,

ТР ТС 004/2011 «О безопасности низковольтного оборудования».



Гарантийный талон

срок гарантии 12 месяцев

с возможностью расширенной
гарантии до 36 месяцев

ВНИМАНИЕ!

Пожалуйста, требуйте от продавца полностью заполнить все поля
гарантийного талона.

Наименование изделия:

Серийный номер:

Дата продажи:

Наименование и адрес торговой организации:

Изделие проверено в присутствии потребителя:

Печать торговой организации и подпись продавца:

Благодарим вас за приобретение нашей продукции. Фирма-изготовитель
предоставляет на приобретенное вами изделие настоящую гарантию
сроком на 12 месяцев со дня продажи.

ВНИМАНИЕ! ИЗДЕЛИЕ В ГАРАНТИЙНУЮ МАСТЕРСКУЮ СДАЕТСЯ В ЧИСТОМ ВИДЕ.

Гарантийные обязательства компании ООО «МИР ИНСТРУМЕНТА»

При покупке изделия требуйте проверки его комплектности и исправности в вашем присутствии, инструкцию по эксплуатации на русском языке и заполненный гарантийный талон. При отсутствии у вас правильно заполненного гарантийного талона мы будем вынуждены отклонить ваши претензии по качеству данного изделия.

Перед началом работы с данным изделием следует внимательно ознакомиться с инструкцией по эксплуатации.

Все условия гарантии соответствуют действующему законодательству РФ.

Базовая гарантия

Гарантийный срок на данное изделие составляет 12 месяцев и исчисляется со дня продажи конечному потребителю.

В случае устранения недостатков товара гарантийный срок на него продлевается на период, в течение которого товар не использовался. Указанный период исчисляется со дня обращения потребителя с требованием об устранении недостатков товара до дня выдачи его по окончании ремонта.

Гарантийные обязательства распространяются только на неисправности, выявленные в течение гарантийного срока и обусловленные производственными или конструктивными факторами.

Расширенная гарантия

Гарантийный срок может быть продлен до 36 месяцев при условии безусловного бытового применения. Расширенная гарантия предоставляется только при условии, если владелец регистрирует инструмент на сайте компании «МИР ИНСТРУМЕНТА» www.instrument.ru в разделе «Сервис» в течение 4 недель с момента приобретения.

Подтверждением участия в программе расширенной гарантии конкретного инструмента и корректной регистрации инструмента является регистрационный сертификат, который следует распечатать на принтере во время регистрации. Регистрация возможна только после подтверждения покупателем согласия на сохранение личных данных, запрашиваемых в процессе регистрации.

Гарантия не распространяется в следующих случаях:

- Если детали были подвержены рабочему и другим видам естественного износа, а также при неисправности инструмента, вызванной данными видами износа.
- Неисправности инструмента, вызванные несоблюдением инструкций по эксплуатации или произошедшие в результате использования инструмента не по назначению, во время использования при неблагоприятных условиях окружающей среды, ненадлежащего производственного обслуживания или ухода.
- Использование изделия в условиях высокой интенсивности работ и сверхтяжелых нагрузок. К безусловным признакам перегрузки изделия относятся, помимо прочего, появление цветов побежалости, деформация или оплавление деталей и узлов изделия, потемнение или облупливание изоляции проводов под воздействием высокой температуры.
- Механические повреждения (трещины, сколы и т.д.) и повреждения, вызванные воздействием агрессивных сред, высокой влажности и высоких температур, попаданием инородных предметов в вентиляционные отверстия электроинструмента, а также повреждения, наступившие вследствие коррозии металлических частей и неправильного хранения.
- Естественный износ принадлежностей, быстроизнашивающихся частей и расходных материалов, таких как приводные ремни, аккумуляторные батареи, стволы, направляющие ролики, защитные кожухи, цанги, патроны, подошвы, пыльные цепи, пыльные шины, звездочки, шины, угловые щетки, ножи, пилки, абразивы, сверла, бурь, лески для триммера и т.п.
- Вскрытие, ремонт или модификация инструмента вне уполномоченного сервисного центра.
- Стихийное бедствие.
- Неблагоприятные атмосферные и иные внешние воздействия на изделие, такие как дождь, снег, повышенная влажность, нагрев, агрессивные среды.
- Использование принадлежностей, расходных материалов и запасных частей, ГСМ, не рекомендованных производителем.

Средний срок службы изделия — 5 лет.

Устранение неисправностей, признанных как гарантийный случай, осуществляется на выбор компании посредством ремонта или заменой неисправного инструмента на новый (возможно, на модель следующего поколения). Замененные инструменты и детали переходят в собственность компании.

Гарантийные претензии принимаются в течение гарантийного срока. Для этого необходимо предъявить или отправить неисправный инструмент в указанный в документации (на сайте ipsremont.ru) сервисный центр, приложив заполненный гарантийный талон, подтверждающий дату покупки товара и его наименование. В случае действия расширенной 36-месячной гарантии на основании упомянутой выше регистрации, к инструменту следует приложить и регистрационный сертификат расширенной гарантии. Инструмент, отправленный дилеру или в сервисный центр в частично или полностью разобранном виде, под действие гарантии не подпадает. Все риски по пересылке инструмента дилеру или в сервисный центр несет владелец инструмента.

Другие претензии, кроме упомянутого права на бесплатное устранение недостатков инструмента, под действие гарантии не подпадают. После гарантийного ремонта на условиях расширенной гарантии срок расширенной гарантии инструмента не продлевается и не возобновляется.

С уважением, компания ООО «МИР ИНСТРУМЕНТА»

Изделие проверялось в моем присутствии, исправно, укомплектовано, внешний вид без повреждений. Всю необходимую для пользования данным изделием информацию и руководство от продавца получил, с условиями гарантии ознакомлен и согласен, правильность заполнения гарантийного талона проверил.

_____ Подпись покупателя

Адреса и телефоны сервисных центров, обслуживающих продукцию компании ООО «МИР ИНСТРУМЕНТА», вы можете найти на сайте www.ipsremont.ru или уточнить в наших филиалах. Адреса и телефоны филиалов указаны на официальном сайте компании ООО «МИР ИНСТРУМЕНТА» www.instrument.ru.

Заполняется сервисным центром

Сервисный наряд №

Дата поступления

Дата выдачи

Наименование сервиса

Исполнитель Ф.И.О.

Печать сервисного центра и подпись ответственного лица

МП

Заполняется продавцом

Наименование изделия

Серийный номер

Дата продажи

МП

Печать торговой организации

Заполняется сервисным центром

Сервисный наряд №

Дата поступления

Дата выдачи

Наименование сервиса

Исполнитель Ф.И.О.

Печать сервисного центра и подпись ответственного лица

МП

Заполняется продавцом

Наименование изделия

Серийный номер

Дата продажи

МП

Печать торговой организации

Заполняется сервисным центром

Сервисный наряд №

Дата поступления

Дата выдачи

Наименование сервиса

Исполнитель Ф.И.О.

Печать сервисного центра и подпись ответственного лица

МП

Заполняется продавцом

Наименование изделия

Серийный номер

Дата продажи

МП

Печать торговой организации

Заполняется сервисным центром

Сервисный наряд №

Дата поступления

Дата выдачи

Наименование сервиса

Исполнитель Ф.И.О.

Контактная информация пользователя

Ф.И.О.:

Адрес:

Телефон:

Подпись покупателя _____ МП





Заполняется сервисным центром

Сервисный наряд №

Дата поступления

Дата выдачи

Наименование сервиса

Исполнитель Ф.И.О.

Контактная информация пользователя

Ф.И.О.:

Адрес:

Телефон:

Подпись покупателя _____ МП





Заполняется сервисным центром

Сервисный наряд №

Дата поступления

Дата выдачи

Наименование сервиса

Исполнитель Ф.И.О.

Контактная информация пользователя

Ф.И.О.:

Адрес:

Телефон:

Подпись покупателя _____ МП



