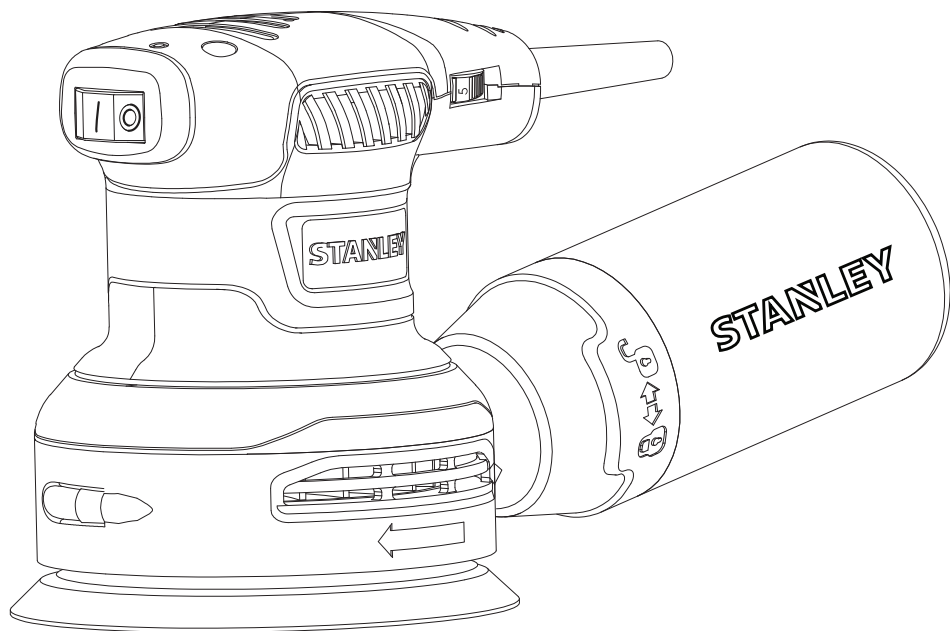
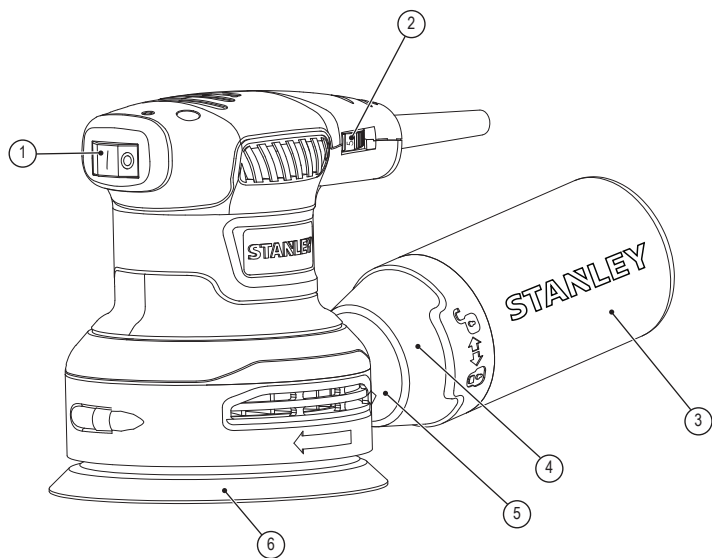


STANLEY®

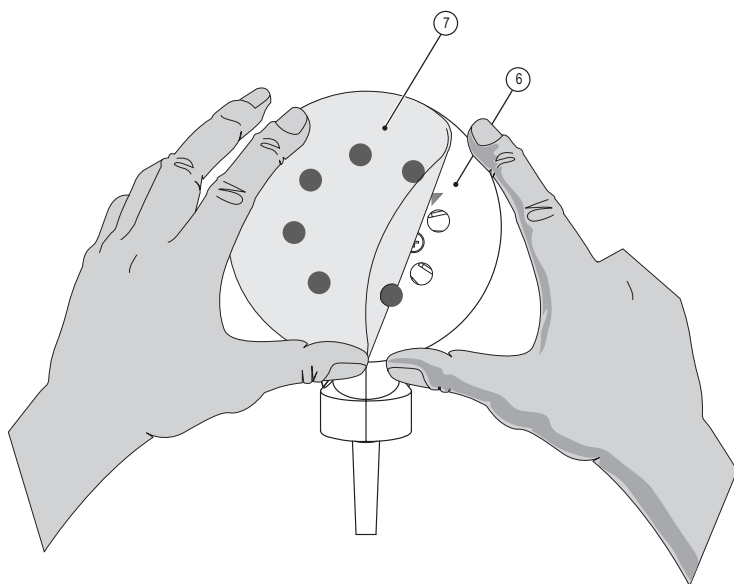


SS30

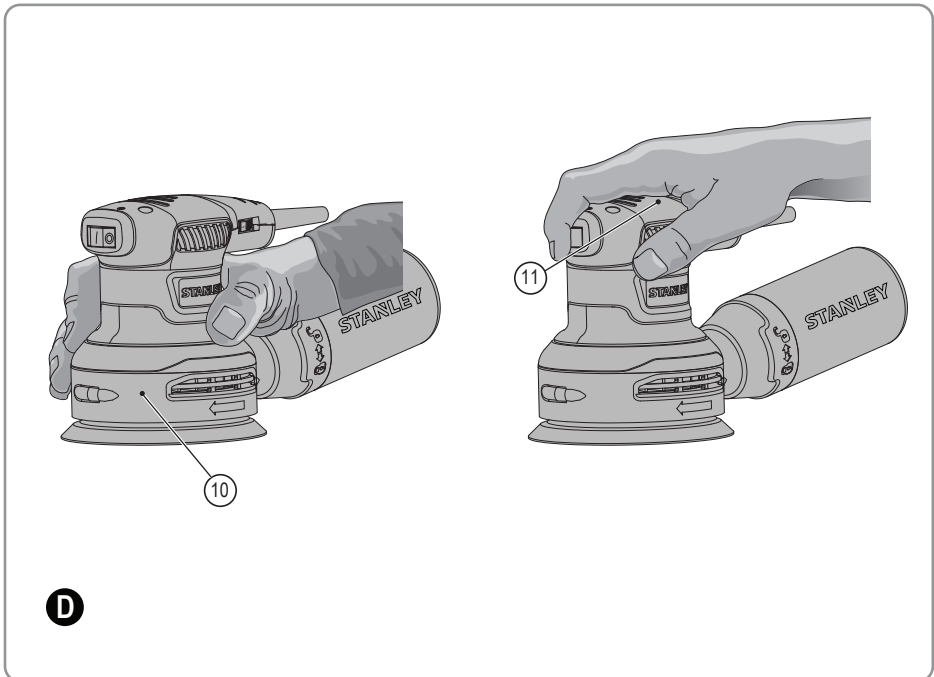
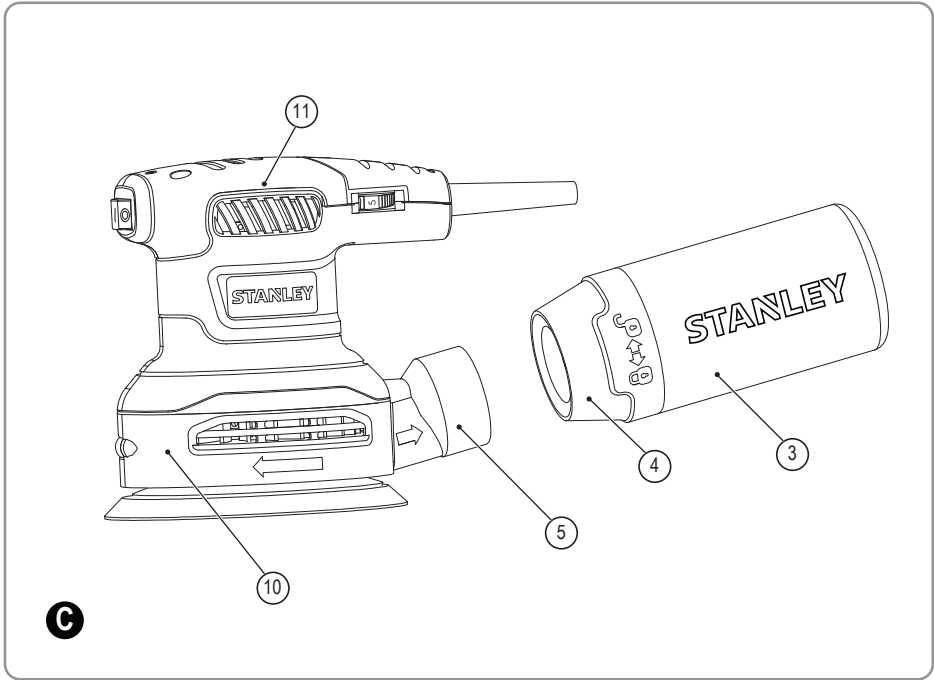
English	Page	04
French	Page	10
Russian	Page	16
Ukrainian	Page	25
Turkish	Page	33
العربية	Page	45



A



B



INTENDED USE

Your STANLEY Random orbital sander SS30 has been designed for sanding wood, metal, plastics and painted surfaces. This tool is intended for professional use.

SAFETY INSTRUCTIONS

The definitions below describe the level of severity for each signal word. Please read the manual and pay attention to these symbols.



DANGER: Indicates an imminently hazardous situation which, if not avoided, **will result in death or serious injury.**



WARNING: Indicates a potentially hazardous situation which, if not avoided, **could result in death or serious injury.**



CAUTION: Indicates a potentially hazardous situation which, if not avoided, **may result in minor or moderate injury.**

NOTICE: Indicates a practice not related to personal injury which, if not avoided, **may result in property damage.**



Denotes risk of electric shock.



Denotes risk of fire.



Warning: To reduce the risk of injury, read the instruction manual.

General power tool safety warnings

WARNING! Read all safety warnings, instructions, illustrations and specifications provided with this power tool. Failure to follow all instructions listed below may result in electric shock, fire and/or serious injury.

Save all warnings and instructions for future reference.

The term "power tool" in the warnings refers to your mains-operated (corded) power tool or battery-operated (cordless) power tool.

1. Work area safety

- a. **Keep work area clean and well lit.** Cluttered or dark areas invite accidents.
- b. **Do not operate power tools in explosive atmospheres, such as in the presence of flammable liquids, gases or dust.** Power tools create sparks which may ignite the dust or fumes.
- c. **Keep children and bystanders away while operating a power tool.** Distractions can cause you to lose control.

2. Electrical safety

- a. **Power tool plugs must match the outlet. Never modify the plug in any way. Do not use any adapter plugs with earthed (grounded) power tools.** Unmodified plugs and matching outlets will reduce risk of electric shock.
- b. **Avoid body contact with earthed or grounded surfaces such as pipes, radiators, ranges and**

refrigerators. There is an increased risk of electric shock if your body is earthed or grounded.

- c. **Do not expose power tools to rain or wet conditions.** Water entering a power tool will increase the risk of electric shock.
- d. **Do not abuse the cord. Never use the cord for carrying, pulling or unplugging the power tool. Keep cord away from heat, oil, sharp edges or moving parts.** Damaged or entangled cords increase the risk of electric shock.
- e. **When operating a power tool outdoors, use an extension cord suitable for outdoor use.** Use of a cord suitable for outdoor use reduces the risk of electric shock.
- f. **If operating a power tool in a damp location is unavoidable, use a residual current device (RCD) protected supply.** Use of an RCD reduces the risk of electric shock.

3. Personal safety

- a. **Stay alert, watch what you are doing and use common sense when operating a power tool. Do not use a power tool while you are tired or under the influence of drugs, alcohol or medication.** A moment of inattention while operating power tools may result in serious personal injury.
 - b. **Use personal protective equipment. Always wear eye protection.** Protective equipment such as a dust mask, non-skid safety shoes, hard hat, or hearing protection used for appropriate conditions will reduce personal injuries.
 - c. **Prevent unintentional starting. Ensure the switch is in the off-position before connecting to power source and/or battery pack, picking up or carrying the tool.** Carrying power tools with your finger on the switch or energising power tools that have the switch on invites accidents.
 - d. **Remove any adjusting key or wrench before turning the power tool on.** A wrench or a key left attached to a rotating part of the power tool may result in personal injury.
 - e. **Do not overreach. Keep proper footing and balance at all times.** This enables better control of the power tool in unexpected situations.
 - f. **Dress properly. Do not wear loose clothing or jewellery. Keep your hair and clothing away from moving parts.** Loose clothes, jewellery or long hair can be caught in moving parts.
 - g. **If devices are provided for the connection of dust extraction and collection facilities, ensure these are connected and properly used.** Use of dust collection can reduce dust-related hazards.
 - h. **Do not let familiarity gained from frequent use of tools allow you to become complacent and ignore tool safety principles.** A careless action can cause severe injury within a fraction of a second.
- 4. Power tool use and care**
- a. **Do not force the power tool. Use the correct power tool for your application.** The correct power tool will do the job better and safer at the rate for which it was designed.

- b. **Do not use the power tool if the switch does not turn it on and off.** Any power tool that cannot be controlled with the switch is dangerous and must be repaired.
 - c. **Disconnect the plug from the power source and/ or remove the battery pack, if detachable from the power tool before making any adjustments, changing accessories, or storing power tools.** Such preventive safety measures reduce the risk of starting the power tool accidentally.
 - d. **Store idle power tools out of the reach of children and do not allow persons unfamiliar with the power tool or these instructions to operate the power tool.** Power tools are dangerous in the hands of untrained users.
 - e. **Maintain power tools and accessories. Check for misalignment or binding of moving parts, breakage of parts and any other condition that may affect the power tools operation. If damaged, have the power tool repaired before use.** Many accidents are caused by poorly maintained power tools.
 - f. **Keep cutting tools sharp and clean.** Properly maintained cutting tools with sharp cutting edges are less likely to bind and are easier to control.
 - g. **Use the power tool, accessories and tool bits etc. in accordance with these instructions, taking into account the working conditions and the work to be performed.** Use of the power tool for operations different from those intended could result in a hazardous situation.
 - h. **Keep handles and grasping surfaces dry, clean and free from oil and grease.** Slippery handles and grasping surfaces do not allow for safe handling and control of the tool in unexpected situations.
- 5. Service**
- a. **Have your power tool serviced by a qualified repair person using only identical replacement parts.** This will ensure that the safety of the power tool is maintained

ADDITIONAL SPECIFIC SAFETY RULES

Safety instructions for sanders

- a. **Hold the power tools by insulated gripping surfaces, because the sanding surface may contact its own cord.** Cutting a "live" wire may make exposed metal parts of the power tool "live" and could give the operator an electric shock.
- b. **WARNING!** Contact with or inhalation of dusts arising from sanding applications may endanger the health of the operator and possible bystanders. Wear a dust mask specifically designed for protection against dust and fumes and ensure that persons within or entering the work area are also protected.
- c. Thoroughly remove all dust after sanding.
- d. Take special care when sanding paint which is possibly lead based or when sanding some woods and metal which may produce toxic dust:
 - Do not let children or pregnant women enter the work area.
 - Do not eat, drink or smoke in the work area.
 - Dispose of dust particles and any other debris safely.

Additional safety information



WARNING: We recommend the use of a residual current device with a residual current rating of 30mA or less.

SAFETY OF OTHERS

- This tool is not intended for use by persons (including children) with reduced physical, sensory or mental capabilities, or lack of experience and knowledge, unless they have been given supervision or instruction concerning use of the tool by a person responsible for their safety.
- Children should be supervised to ensure that they do not play with the appliance.

RESIDUAL RISKS

In spite of the application of the relevant safety regulations and the implementation of safety devices, certain residual risks cannot be avoided. These are:

- Impairment of hearing
- Risk of personal injury due flying particles.
- Risk of burns due to accessories becoming hot during operation.
- Risk of personal injury due to prolonged use.
- Risk of dust from hazardous substances.

ELECTRICAL SAFETY



Your tool is double insulated; therefore no earth wire is required. Always check that the main voltage corresponds to the voltage on the rating plate.



WARNING! If the power cord is damaged, it must be replaced by the manufacturer, authorized STANLEY Service Center or an equally qualified person in order to avoid damage or injury. If the power cord is replaced by an equally qualified person, but not authorized by STANLEY, the warranty will not be valid.

USING AN EXTENSION CABLE

If an extension cable is required, use an approved 3-core extension cable suitable for the power input of this tool (see Technical data). The minimum conductor size is 1.5 mm²; the maximum length is 30 m. When using a cable reel, always unwind the cable completely.

Cable cross-sectional area (mm ²) Cable rated current (Ampere)	Cable cross-sectional area (mm ²) Cable rated current (Ampere)
0.75	6
1.00	10
1.50	15
2.50	20
4.00	25

Cable length (m)						
	7.5	15	25	30	45	60

Voltage	Amperes	Cable rated current (Ampere)					
110-127	0 - 2.0	6	6	6	6	6	10
	2.1 - 3.4	6	6	6	6	15	15
	3.5 - 5.0	6	6	10	15	20	20
	5.1 - 7.0	10	10	15	20	20	25
220-240	7.1 - 12.0	15	15	20	25	25	-
	12.1 - 20.0	20	20	25	-	-	-
	0 - 2.0	6	6	6	6	6	6
	2.1 - 3.4	6	6	6	6	6	6
	3.5 - 5.0	6	6	6	6	10	15
	5.1 - 7.0	10	10	10	10	15	15
	7.1 - 12.0	15	15	15	15	20	20
	12.1 - 20.0	20	20	20	20	25	-

Position of date code

The Date Code, which also includes the year of manufacture, is printed into the housing.

Example:

2017 XX JN
Year of manufacturing

PACKAGE CONTAINS

- 1 Random orbital sander
 - 1 Sanding paper
 - 1 Dust bag
 - 1 Instruction manual
 - 1 Warranty card
 - 1 Service center list
- Check for damage to the tool, parts or accessories which may have occurred during transport.
- Take the time to thoroughly read and understand this manual prior to operation.

FEATURES (Fig A)



WARNING: Never modify the power tool or any part of it. Damage or personal injury could result.

1. On/off switch
2. Electronic speed control dial
3. Dust bag
4. Dust bag collar
5. Dust extraction outlet
6. Sanding pad
7. Sanding paper

ASSEMBLY AND ADJUSTMENT



WARNING: To reduce the risk of serious personal injury, turn tool off and disconnect tool from power source before making any adjustments or removing/installing attachments or accessories. Before reconnecting the tool, depress and release the trigger switch to ensure that the tool is off. An accidental start-up can cause injury.

Fitting sanding paper (Figure. A,B)



WARNING! Never use the tool without a sanding paper or accessory in place.

The tool uses 125 mm (5") hook and loop sanding paper with an 8 hole dust extraction pattern.

1. Place the tool on a table, sanding pad (6) up.
2. Place the sanding paper (7) directly on top of the sanding pad.
3. Hold the sanding pad with one hand and align the dust extraction holes.
4. Press the sanding paper firmly onto the sanding pad.

Setting the electronic speed control dial (Fig A)

The speed is infinitely variable from 0–13,000 min⁻¹ using the electronic speed control dial (2).

Turn the electronic speed control dial to the required level.

LABELS ON TOOL

The label on your tool may include the following symbols:

	must read the instruction manual before use. WARNING! To reduce the risk of injury, the user		
	Wear safety glasses or goggles.		
	Wear ear protection.		
	Wear a dust mask.		
V	Volts		Direct Current
A	Amperes	n_0	No-Load Speed
Hz	Hertz		Class II Construction
W	Watts		Earthing Terminal
min	minutes		Safety Symbol Alert
	Alternating Current	/min.	Revolutions or Reciprocation per minute

The correct setting, however, is a matter of experience.

Generally, harder materials require a higher setting.

Dust extraction (Fig C)



WARNING: Since woodworking with a sander produces dust, always install a dust bag designed in compliance with the applicable directives regarding dust emission.



WARNING: Do not use a dust bag or vacuum extractor without proper spark protection when sanding metal.

Your sander has a dust extraction methods: a built-in outlet (5) which allows either the supplied dust bag (3) or a shop vacuum system to be connected.

To attach the dust bag

1. While holding the sander, fit the dust bag collar(4) to the outlet (5) as shown in Figure C.
2. Turn the collar (4) anticlockwise to lock the dust bag (3) in place.

To empty the dust bag

NOTE: Be sure to wear approved eye protection and approved dust mask when performing this procedure.

For efficient dust extraction, empty the dust collector when it is about one third full.

1. While holding the sander, turn the collar (4) clockwise to unlock the dust bag (3).
2. Remove dust bag from the sander and gently shake or tap the dust bag to empty.
3. Reattach the dust bag back onto the outlet and lock into place by turning the dust bag collar clockwise.

USE



WARNING: Let the tool work at its own pace. Do not overload.



WARNING: Always observe the safety instructions and applicable regulations.



WARNING: To reduce the risk of serious personal injury, turn tool off and disconnect tool from power source before making any adjustments or removing/installing attachments or accessories.



WARNING:

- Make sure all materials to be sanded are well secured.
- Apply only a gentle pressure to the workpiece. Excessive pressure does not improve the sanding effect, but only results in an increased load on the machine and causes the abrasive to tear.
- Avoid overloading.



WARNING: Do not sand magnesium!

NOTICE: If you wrap the cord around the tool when you store it, leave a generous loop of cord such that the cord guard does not bend.

This helps prevent premature cord failure.

Proper hand position (Fig D)



WARNING: To reduce the risk of serious personal injury, ALWAYS use proper hand position as shown.



WARNING: To reduce the risk of serious personal injury, ALWAYS hold securely in anticipation of a sudden reaction.

Proper hand position requires either one hand on the sander body (10) or one hand on the main grip (11) as shown.

Switching on and off (Fig A)

Set the sanding speed using the electronic speed control dial (2).

To switch the tool on, set the on/off switch to position I.

To switch the tool off, set the on/off switch to position O.

Sanding

Start with the coarsest grit size.

As the tool produces small abrasion marks in all directions, it is not necessary to sand along the grain.

Check your work at short intervals.

Always switch off the tool when work is finished and before unplugging.

Hints for optimum use

- Do not exert too much pressure on the tool.
- Regularly check the condition of the sanding paper.
- Replace sanding paper when necessary.
- When sanding new layers of paint before applying another layer, use extra fine grit.
- On very uneven surfaces, or when removing layers of paint, start with a coarse grit. On other surfaces, start with a medium grit. In both cases, gradually change to a fine grit for a smooth finish.
- Consult your retailer for more information on available accessories.

Residual risks

Additional residual risks may arise when using the tool which may not be included in the enclosed safety warnings. These risks can arise from misuse, prolonged use etc.

Even with the application of the relevant safety regulations and the implementation of safety devices, certain residual risks can not be avoided. These include:

- Injuries caused by touching any rotating/moving parts.
- Injuries caused when changing any parts, blades or accessories.
- Injuries caused by prolonged use of a tool. When using any tool for prolonged periods ensure you take regular breaks.
- Impairment of hearing.
- Health hazards caused by breathing dust developed

when using your tool (example:- working with wood, especially oak, beech and MDF.)

MAINTENANCE

Your STANLEY power tool has been designed to operate over a long period of time with a minimum of maintenance. Continuous satisfactory operation depends upon proper tool care and regular cleaning.

- Regularly clean the ventilation slots in your tool using a soft brush or dry cloth.
- Regularly clean the motor housing using a damp cloth. Do not use any abrasive or solvent-based cleaner. This machine is not user-serviceable. If problems occur contact an authorised repair agent.



Lubrication

Your power tool requires no additional lubrication.



Cleaning



WARNING: Blow dirt and dust out of the main housing with dry air as often as dirt is seen collecting in and around the air vents. Wear approved eye protection and approved dust mask when performing this procedure.



WARNING: Never use solvents or other harsh chemicals for cleaning the non-metallic parts of the tool. These chemicals may weaken the materials used in these parts. Use a cloth dampened only with water and mild soap. Never

let any liquid get inside the tool; never immerse any part of the tool into a liquid. To maintain products SAFETY and RELIABILITY, repair, carbon brush inspection and replacement, any other maintenance or adjustment should be performed by STANLEY Service Centers, always using Stanley replacement parts.

OPTIONAL ACCESSORIES



WARNING: Since accessories, other than those offered by STANLEY, have not been tested with this product, use of such accessories with this tool could be hazardous. To reduce the risk of injury, only STANLEY, recommended accessories should be used with this product.

Consult your dealer for further information on the appropriate accessories.

PROTECTING THE ENVIRONMENT



Separate collection. This product must not be disposed of with normal household waste.

Should you find one day that your STANLEY product needs replacement, or if it is of no further use to you, do not dispose of it with household waste. Make this product available for separate collection.



STANLEY provides a facility for the collection and recycling of STANLEY products once they have reached the end of their working life. To take advantage of this service please return your product to any authorised repair agent who will collect them on our behalf.

You can check the location of your nearest authorised repair agent by contacting your local STANLEY office at the address indicated in this manual. Alternatively, a list of authorised STANLEY repair agents and full details of our after-sales service and contacts are available on the Internet at: www.2helpU.com

NOTES

STANLEY's policy is one of continuous improvement to our products and as such, we reserve the right to change product specifications without prior notice. Standard equipment and accessories may vary by country. Product specifications may differ by country. Complete product range may not be available in all countries. Contact your local STANLEY dealers for range availability

SERVICE INFORMATION

STANLEY offers a full network of company-owned and authorized service locations. All STANLEY Service Centers are staffed with trained personnel to provide customers with efficient and reliable power tool service. For more information about our authorized service centers and if you need technical advice, repair, or genuine factory replacement parts, contact the STANLEY location nearest you.

TECHNICAL DATA

RANDOM ORBITAL SANDER		SS30
Voltage	V _{AC}	220-240
Frequency	Hz	50-60
Power input	W	300
Orbits (no load)	min ⁻¹	0-13000
Pad diameter	mm	125
Weight	kg	1.4

Level of sound pressure according to EN 62841-1; EN 62841-2-4

Sound pressure (L _{PA})	dB(A)	78.0
Sound pressure uncertainty (K _{PA})	dB(A)	3
Sound power (L _{WA})	dB(A)	89.0
Sound power uncertainty (K _{WA})	dB(A)	3

Vibration emission value ah:

(ah) =	m/s ²	6.2
Uncertainty (K) =	m/s ²	1.5

VIBRATION AND NOISE

The declared vibration and noise emission values stated in the technical data and the declaration of conformity have been measured in accordance with a standard test method provided by EN 62841 and may be used for comparing one tool with another. The declared vibration and noise emission value may also be used in a preliminary assessment of exposure.



WARNING! The vibration and noise emission value during actual use of the power tool can differ from the declared value depending on the ways in which the tool is used. The vibration and noise level may increase above the level stated.

When assessing vibration and noise exposure to determine safety measures required by 2002/44/EC to protect persons regularly using power tools in employment, an estimation of vibration and noise exposure should consider, the actual conditions of use and the way the tool is used, including taking account of all parts of the operating cycle such as the times when the tool is switched off and when it is running idle in addition to the trigger time.

EC declaration of conformity
MACHINERY DIRECTIVE



SS30 - Random orbital sander

STANLEY declares that these products described under "technical data" are in compliance with: 2006/42/EC, EN 62841-1: 2015, EN 62841-2-4: 2014.

These products also comply with Directive 2014/30/EU and 2011/65/EU. For more information, please contact STANLEY at the following address or refer to the back of the manual.

The undersigned is responsible for compilation of the technical file and makes this declaration on behalf of STANLEY.

R.Laverick
Engineering Manager
STANLEY, Europe, Egide Walschaertsstraat14-18,
2800 Mechelen, Belgium
06.2018

TWO YEAR WARRANTY

If your STANLEY product becomes defective due to faulty materials or workmanship within 24 months from the date of purchase, STANLEY guarantees to replace all defective parts

free of charge or – at our discretion – replace the unit free of charge provided that:

- The product has not been misused and has been used in accordance with the instruction manual;
- The product has been subject to fair wear and tear;
- Repairs have not been attempted by unauthorized persons;
- Proof of purchase is produced;
- The STANLEY product is returned complete with all original components;
- The product hasn't been used for hire purposes.

If you wish to make a claim, contact your seller or check the location of your nearest authorised STANLEY repair agent in the STANLEY catalogue or contact your local STANLEY office at the address indicated in this manual. A list of authorised STANLEY repair agents and full details of our after sales service is available on the internet at: www.2helpU.com

UTILISATION PRÉVUE

Votre ponceuse orbitale aléatoire SS30 de STANLEY a été conçue pour poncer le bois, le métal, le plastique et les surfaces peintes. Cet outil est destiné à une utilisation professionnelle.

CONSIGNES DE SÉCURITÉ

Les définitions ci-dessous définissent le niveau de gravité de chaque mention d'avertissement. Veuillez lire le manuel et prêter attention à ces symboles.



DANGER: Indique une situation imminente dangereuse qui, si elle n'est pas évitée, entraînera des blessures graves ou la mort.



AVERTISSEMENT: Indique une situation potentiellement dangereuse qui, si elle n'est pas évitée, entraînera des blessures graves ou la mort.



ATTENTION: Indique une situation potentiellement dangereuse qui, si elle n'est pas évitée, entraînera des blessures légères ou mineures.

AVIS : Indique une pratique ne concernant pas les blessures corporelles qui, si elle n'est pas évitée, peut entraîner des dommages matériels.



Indique un risque d'électrocution.



Indique un risque d'incendie.



Avertissement : Afin de réduire le risque de blessure, lisez le manuel d'instruction.

Avertissements de sécurité générale concernant l'outil électrique



AVERTISSEMENT! Lisez tous les avertissements de sécurité, les instructions, les illustrations et les spécifications fournies avec cet outil électrique. Le non-respect de ces avertissements et de ces instructions peut provoquer un incendie, une électrocution et/ou de graves blessures.

Conservez ces avertissements et ces instructions à titre de référence ultérieure. Le terme « outil électrique » dans les avertissements fait référence à votre outil électrique alimenté par le courant (avec cordon d'alimentation) ou fonctionnant sur batterie (sans cordon).

1. Sécurité de l'aire de travail

- Travaillez dans un endroit propre et bien éclairé.**
Les zones encombrées et sombres peuvent entraîner des accidents.
- Ne mettez pas en marche votre outil électrique dans un environnement explosif, ou en présence de liquides inflammables, de gaz, ou de poussières.**
La mise en marche de l'outil crée des étincelles qui peuvent enflammer les poussières ou vapeurs.
- Éloignez les enfants et les personnes présentes de la zone lorsque l'outil est en fonctionnement.** Toute distraction peut vous faire perdre le contrôle de l'outil.

2. Sécurité électrique

- Les fiches de l'outil électrique doivent correspondre à la prise secteur.** Ne modifiez jamais la fiche, de quelque manière que ce soit. N'utilisez pas d'adaptateurs avec des outils ayant une prise de terre (mis à la terre). Des fiches non modifiées et raccordées aux prises murales correspondantes réduiront les risques de choc électrique.
 - Évitez le contact direct avec les surfaces mises à la terre ou mises à la masse comme les canalisations, les radiateurs, les cuisinières et les réfrigérateurs.** Le risque de choc électrique augmente si votre corps est mis à la terre ou à la masse.
 - N'utilisez pas d'outils électriques dans des environnements pluvieux ou humides.** Si de l'eau s'introduit dans un outil électrique, le risque de choc électrique augmentera.
 - Ne malmenez pas le cordon d'alimentation.** N'utilisez jamais le cordon pour transporter, tirer ou débrancher l'outil électrique. Veillez à garder le cordon éloigné des sources de chaleur, des huiles, des rebords coupants ou des pièces mobiles. Les câbles endommagés ou entremêlés augmentent le risque de choc électrique.
 - Lorsqu'un outil électrique est utilisé à l'extérieur, utilisez uniquement une rallonge spécialement prévue à cet effet.** L'usage d'une rallonge adaptée à l'utilisation en extérieur réduit le risque de choc électrique.
 - Habillez-vous correctement. Ne portez pas de vêtements amples ou de bijoux.** Gardez vos cheveux, vos vêtements et vos gants éloignés des pièces mobiles. Tenez vos cheveux, vêtements et gants éloignés des pièces mobiles. Les vêtements amples, les bijoux ou les cheveux longs peuvent être happés par les pièces mobiles.
- ### 3. Sécurité personnelle
- Soyez vigilant, regardez bien ce que vous faites et faites preuve de bon sens lorsque vous utilisez l'outil électrique.** N'utilisez pas d'outil électrique si vous êtes sous l'influence de drogues, d'alcool ou de médicaments. Un instant d'inattention pendant l'utilisation d'outils électriques peut entraîner des blessures graves.
 - Utilisez un équipement de protection individuel. Utilisez toujours une protection oculaire.** L'utilisation d'équipements de protection tels que les masques anti-poussière, les chaussures de sécurité antidérapantes, les casques de sécurité ou les protections auditives dans des conditions appropriées réduiront les risques de blessures corporelles.
 - Évitez les démarrages intempestifs.** Veillez à ce que l'interrupteur soit en position d'arrêt avant de brancher l'outil à une source d'alimentation et/ou une batterie, de ramasser l'outil ou de le transporter. Transporter les outils électriques avec le doigt sur l'interrupteur ou brancher les outils électriques avec l'interrupteur en position de marche peut entraîner des accidents.
 - Retirez toute clé à molette ou autre clé de réglage avant de mettre l'outil électrique en marche.**

Laissez une clé à molette ou une clé sur une partie rotative de l'outil électrique peut engendrer des blessures corporelles.

- e. **Ne vous penchez pas trop.** Gardez en permanence une position stable et un bon équilibre. Cela permet un meilleur contrôle de l'outil électrique dans des situations imprévues.
 - f. **Portez des vêtements appropriés.** Ne portez pas de vêtements amples ou de bijoux. Tenez vos cheveux, vêtements et gants éloignés des pièces mobiles. Les vêtements amples, les bijoux ou les cheveux longs peuvent être happés par les pièces mobiles.
 - g. **Si des dispositifs destinés au raccordement d'installations d'extraction et de recueil de la poussière sont fournis, assurez-vous qu'ils sont correctement raccordés et utilisés.** L'utilisation de cet outil peut réduire les dangers associés à la présence de poussières.
 - h. **Ne pensez pas que la familiarité que vous avez acquise en utilisant fréquemment des outils vous permet d'être complaisant et d'ignorer les principes de sécurité concernant l'utilisation des outils.** Une action imprudente peut causer de graves blessures en une fraction de seconde.
- #### 4. Utilisation et entretien de l'outil électrique
- a. **Ne forcez pas l'outil électrique. Utilisez l'outil électrique adapté à votre travail.** L'outil adapté est plus efficace et moins dangereux s'il est utilisé à la vitesse pour laquelle il a été conçu.
 - b. **N'utilisez pas l'outil si l'interrupteur ne le met pas en position de marche et d'arrêt.** Tout outil qui ne peut être contrôlé par l'interrupteur est dangereux et doit être réparé.
 - c. **Débrancher la fiche de l'alimentation source et / ou la batterie de l'outil électrique avant de faire ajustements, changement d'accessoires, ou stockage d'outils électriques.** Ces mesures de sécurité préventives réduisent le risque de démarrage accidentel de l'outil électrique.
 - d. **Conservez les outils électriques inutilisés hors de la portée des enfants et ne laissez pas de personnes non familiarisées avec l'outil ou ces instructions utiliser l'outil électrique.** Les outils électriques sont dangereux pour les utilisateurs inexpérimentés.
 - e. **Maintenir les outils électriques. Vérifiez la dérive d'alignement ou l'attache des pièces mobiles, toute possibilité de rupture de pièces et tout état pouvant affecter l'outil lors de son utilisation.** Si l'outil est endommagé, faites-le réparer avant de l'utiliser. De nombreux accidents sont dus à des outils électriques mal entretenus.
 - f. **Maintenez les outils de coupe aiguisés et propres.** Les outils de coupe bien entretenus aux bords aiguisés sont moins susceptibles de se coincer et plus faciles à contrôler.
 - g. **Utilisez l'outil électrique, les accessoires et les mèches de l'outil etc., conformément à ces instructions en prenant en compte les conditions de travail et la tâche à réaliser.** L'utilisation de l'outil électrique pour des opérations différentes de celles

pour lesquelles il a été conçu peut entraîner une situation dangereuse.

- h. **Maintenez les poignées et les surfaces de préhension sèches, propres et exemptes d'huile et de graisse.** Des poignées et des surfaces de préhension glissantes ne permettent pas de manipuler l'outil en toute sécurité et de le contrôler dans des situations inattendues.

5. Réparation

- a. **Faites réparer votre outil électrique par un réparateur agréé utilisant uniquement les pièces de rechange identiques.** Cela permettra de garantir la sécurité de l'outil électrique.

CONSIGNES DE SÉCURITÉ SPÉCIFIQUES ADDITIONNELLES

Consignes de sécurité relatives aux ponceuses

- a. **Tenez les outils électriques uniquement par les surfaces isolées à cet effet, parce que la surface de ponçage peut entrer en contact avec son propre cordon d'alimentation.** Si un câble « sous tension » est coupé, les pièces métalliques exposées de l'outil électrique risquent de transmettre le courant et d'infirmer une décharge électrique à l'opérateur.
- b. **AVERTISSEMENT !** Le contact avec la poussière ou son inhalation découlant de travaux de ponçage peut nuire à la santé de l'opérateur et des éventuels spectateurs. Portez un masque anti-poussière spécialement conçu pour protéger contre la poussière et les vapeurs et assurez-vous que les personnes présentes dans la zone de travail sont également protégées.
- c. Retirez soigneusement toute la poussière après le ponçage.
- d. Soyez particulièrement attentif lorsque vous poncez de la peinture qui pourrait être à base de plomb ou lorsque vous poncez du bois ou du métal pouvant produire de la poussière toxique :
 - Ne laissez pas les enfants ou les femmes enceintes pénétrer dans la zone de travail.
 - Ne mangez pas, ne buvez pas et ne fumez pas dans la zone de travail.
 - Débarrassez-vous dûment de toute particule de poussière ou de tout autre débris.

Consignes de sécurité pour toute utilisation



AVERTISSEMENT ! : Nous recommandons l'utilisation d'un dispositif à courant résiduel avec un courant résiduel nominal de 30 mA ou moins.

SÉCURITÉ D'AUTRUI

- Cet outil n'est pas destiné à être utilisé par des personnes (y compris les enfants) présentant des capacités physiques, sensorielles ou mentales réduites, ou sans expérience, ni connaissances, à moins qu'elles ne soient surveillées ou qu'elles n'aient été instruites à l'utilisation de l'appareil par une personne responsable de leur sécurité.
- Les enfants doivent être surveillés pour s'assurer qu'ils ne jouent pas avec l'appareil.

RISQUES RÉSIDUELS

Malgré l'application des instructions de sécurité en vigueur et la mise en œuvre des dispositifs de sécurité, certains risques résiduels ne peuvent être évités. Ces risques sont les suivants :

- Troubles de l'audition.
- Risques de blessures corporelles dus aux particules volantes.
- Risques de brûlures dus aux accessoires devenant brûlant durant leur utilisation.
- Risques de blessures corporelles dus à un usage prolongé.
- Risques d'explosion de poussières de substances dangereuses.

SÉCURITÉ ÉLECTRIQUE



Cet outil dispose d'une double isolation ; aucun fil de terre n'est donc nécessaire. Vérifiez toujours que la tension du secteur correspond à celle de la plaque signalétique.



AVERTISSEMENT ! Si le cordon d'alimentation est endommagé, il doit être remplacé par le fabricant ou un centre de réparation agréé STANLEY ou encore une personne tout aussi qualifiée afin d'éviter tout accident ou blessure. En cas de remplacement du cordon d'alimentation par une personne tout aussi qualifiée mais non agréée par STANLEY, la garantie ne sera plus valable.

UTILISATION D'UNE RALLONGE

Si une rallonge est nécessaire, utilisez toujours une rallonge agréée à 3 conducteurs, adaptée à la puissance absorbée par cet outil (voir les caractéristiques techniques). La section minimale des conducteurs est de 1,5 mm² ; la longueur maximale est de 30 m. Lorsque vous utilisez un rouleau à câble, déroulez-le toujours complètement.

Superficie de la section transversale du câble (mm ²) Intensité nominale du câble (Ampère)	Superficie de la section transversale du câble (mm ²) Intensité nominale du câble (Ampère)
0.75	6
1.00	10
1.50	15
2.50	20
4.00	25

Longueur du câble (m)

	7.5	15	25	30	45	60

Tension	Ampères	Intensité nominale du câble (Ampère)					
110-127	0 - 2.0	6	6	6	6	6	10
	2.1 - 3.4	6	6	6	6	15	15
	3.5 - 5.0	6	6	10	15	20	20
	5.1 - 7.0	10	10	15	20	20	25
220-240	7.1 - 12.0	15	15	20	25	25	-
	12.1 - 20.0	20	20	25	-	-	-
	0 - 2.0	6	6	6	6	6	6
	2.1 - 3.4	6	6	6	6	6	6
	3.5 - 5.0	6	6	6	6	10	15
	5.1 - 7.0	10	10	10	10	15	15
	7.1 - 12.0	15	15	15	15	20	20
	12.1 - 20.0	20	20	20	20	25	-

ÉTIQUETTES DE L'OUTIL

L'étiquette apposée sur votre outil peut afficher les symboles suivants :

	AVERTISSEMENT ! Pour réduire tout risque de blessure, l'utilisateur doit lire le manuel d'instructions avant toute utilisation.		
	Portez des lunettes de sécurité ou des lunettes-masque.		
	Portez des protège-oreilles.		
	Portez un masque anti-poussière.		
V	Volts	---	Courant continu
A	Ampères	n ₀	Vitesse à vide
Hz	Hertz		Construction de classe II
W	Watts		Borne de terre
min	minutes		Symbole d'alerte de sécurité
	Courant alternatif	/min.	Tours ou mouvements alternatifs par minute

Position du code de la date

Le code de date qui comporte également l'année de fabrication est imprimé sur le logement.

Exemple :

2017 XX JN
Année de fabrication

L'ENSEMBLE CONTIENT

- 1 ponceuse orbitale aléatoire
- 1 papier à poncer
- 1 sac à poussière
- 1 manuel d'instruction
- 1 carte de garantie
- 1 liste de centres de services
- Vérifiez que l'outil, les pièces détachées et les accessoires n'ont pas été endommagés durant le transport.
- Prenez le temps de bien lire et comprendre ce manuel avant d'utiliser l'outil.

CARACTÉRISTIQUES (Fig. A)



AVERTISSEMENT ! : Ne modifiez jamais l'outil électrique ou toute partie de celui-ci. Des dommages ou des blessures pourraient en résulter.

1. Interrupteur marche/arrêt
2. Bouton de vitesse réglable électronique
3. Sac à poussière
4. Collier de sac à poussière
5. Sortie d'extraction de la poussière
6. Patin de ponçage
7. Papier à poncer

MONTAGE ET RÉGLAGE



AVERTISSEMENT ! : Pour réduire le risque de blessures physiques graves, arrêtez l'outil et débranchez-le du secteur avant de réaliser des réglages ou de démonter/installer des accessoires. Avant de rebrancher l'outil, appuyez sur la gâchette et relâchez-la pour vous assurer que l'outil est déjà hors tension. Un démarrage accidentel peut provoquer des blessures.

Installation du papier à poncer (Fig. A, B)



AVERTISSEMENT ! N'utilisez jamais l'outil sans papier à poncer ou un accessoire en place.

L'outil utilise un papier à poncer de 125 mm (5 po) du type velcro, avec 8 trous d'extraction de poussière.

1. Placez l'outil sur une table, avec le patin de ponçage (6) vers le haut.
2. Placez le papier de ponçage (7) directement sur le dessus du patin de ponçage.
3. Tenez le patin de ponçage d'une main et alignez les trous d'extraction de poussière.
4. Appuyez le papier de ponçage fermement sur le patin de ponçage.

Réglage du bouton de vitesse réglable électronique (Fig. A)

La vitesse est variable en continu de 0 à 13 000 min⁻¹ en utilisant bouton de vitesse réglable électronique (2).

Tournez le bouton de vitesse réglable électronique jusqu'à la vitesse requise.

Cependant, choisir la bonne vitesse nécessite de l'expérience.

Généralement, les matériaux plus durs nécessitent une vitesse plus élevée.

Extraction de poussière (Fig. C)



AVERTISSEMENT ! : Comme le travail du bois avec une ponceuse produit de la poussière, installez toujours un sac à poussière conçu en conformité avec les directives applicables relatives aux émissions de poussières.



AVERTISSEMENT ! : N'utilisez pas un sac à poussière ou un extracteur par aspiration sans une bonne protection contre les étincelles lors du ponçage du métal.

Votre ponceuse est dotée d'un dispositif d'extraction de la poussière : une sortie intégrée (5) vous permet de connecter soit le sac à poussière fourni (3), soit un aspirateur industriel.

Installation du sac à poussière

1. Tout en tenant la ponceuse, posez le collier du sac à poussière (4) sur la sortie (5) comme illustré à la figure C.
2. Tournez le collier (4) dans le sens antihoraire pour verrouiller le sac à poussière (3) en place.

Vidange du sac à poussière

REMARQUE : Veillez à porter des lunettes de protection et des masques anti-poussière approuvés lors de cette procédure.

Pour une extraction de poussière efficace, videz le sac à poussière lorsqu'il est environ un tiers plein.

1. Tout en tenant la ponceuse, tournez le collier de serrage (4) dans le sens horaire pour déverrouiller le sac à poussière (3).
2. Retirez le sac à poussière de la ponceuse et secouez doucement ou tapotez le sac à poussière pour le vider.
3. Remettez le sac à poussière sur la sortie et verrouillez-le en tournant le collier du sac à poussière dans le sens horaire.

UTILISATION



AVERTISSEMENT ! : Laissez l'outil fonctionner à son propre rythme. Ne le surchargez pas.



AVERTISSEMENT ! : Suivez toujours les instructions de sécurité et le règlement applicable.



AVERTISSEMENT ! : Pour réduire le risque de blessures physiques graves, arrêtez l'outil et débranchez-le du secteur avant de réaliser des réglages ou de démonter/installer des accessoires.



AVERTISSEMENT !

- Assurez-vous que tous les matériaux à poncer sont bien attachés.
- Appuyez légèrement sur l'outil pour appliquer une légère pression sur la pièce. Une pression excessive n'améliore pas l'effet de ponçage, mais produit seulement une charge plus grande sur la machine et le papier abrasif se déchirera plus rapidement.
- Évitez de surcharger l'outil.



AVERTISSEMENT ! : Ne poncez pas le magnésium !

AVIS : Si vous enroulez le cordon autour de l'outil lorsque vous l'entreposez, ne serrez pas le cordon afin de ne pas plier le protège-cordon.

Cela évitera une défaillance prématurée du cordon.

Position correcte de la main (Fig. D)



AVERTISSEMENT !: Pour éviter tout risque de blessures corporelles graves, placez TOUJOURS vos mains comme indiqué.



AVERTISSEMENT ! : Afin de réduire le risque de blessure corporelle sérieuse, tenez TOUJOURS l'outil fermement de manière à anticiper une réaction soudaine.

La position correcte de la main consiste à placer une main sur le corps de la ponceuse (10) ou une main sur la poignée principale (11) comme illustré.

Démarrage et arrêt de l'outil (Fig. A)

Réglez la vitesse de ponçage à l'aide du bouton de vitesse réglable électronique (2).

Pour démarrer l'outil, mettez l'interrupteur marche/arrêt dans la position I.

Pour arrêter l'outil, mettez l'interrupteur marche/arrêt dans la position O.

Ponçage

Commencez en utilisant le papier ayant le grain le plus gros. Comme l'outil produit des marques d'abrasion dans toutes les directions, il n'est pas nécessaire de poncer dans la direction du grain.

Vérifiez votre travail à de courts intervalles.

Éteignez toujours l'outil lorsque le travail est terminé et avant de le débrancher.

Conseils pour une utilisation optimale

- N'exercez pas trop de pression sur l'outil.
- Vérifiez régulièrement l'état du papier à poncer.
- Remplacez le papier à poncer si nécessaire.
- Lors du ponçage de nouvelles couches de peinture avant d'appliquer une autre couche, utilisez un papier à grain extra-fin.
- Sur des surfaces très inégales, ou lorsque vous poncez des couches de peinture, commencez avec un gros grain. Sur d'autres surfaces, commencez avec un grain moyen. Dans les deux cas, changez graduellement jusqu'à un grain fin pour une finition lisse.

- Consultez votre revendeur pour obtenir de plus amples informations sur les accessoires disponibles.

Risques résiduels

Il se peut que des risques résiduels additionnels non inclus dans les avertissements de sécurité du présent manuel surviennent lors de l'utilisation de l'outil. Ces risques peuvent provenir d'une utilisation inappropriée ou prolongée, etc.

Malgré l'application des instructions de sécurité en vigueur et la mise en œuvre des dispositifs de sécurité, certains risques résiduels ne peuvent être évités. Ces risques comprennent :

- Des blessures provoquées par le contact avec des pièces mobiles / rotatives.
- Des blessures provoquées lors du changement des pièces, forets ou accessoires.
- Des blessures provoquées par un usage prolongé d'un outil. Assurez-vous de prendre régulièrement des pauses lors d'un usage prolongé d'un outil.
- Des troubles de l'audition.
- Il existe des risques pour la santé causés par l'inhalation de poussière qui se développent lors de l'utilisation de votre outil (exemple : travailler avec du bois, en particulier du chêne, du hêtre ou du MDF).

ENTRETIEN

Votre outil STANLEY a été conçu pour fonctionner pendant une longue période avec un minimum d'entretien.

Un fonctionnement continu satisfaisant de l'outil dépend d'un entretien soigneux et régulier.

- Nettoyez régulièrement les fentes d'aération de votre outil à l'aide d'une brosse douce et d'un chiffon sec.
- Nettoyez régulièrement le boîtier du moteur à l'aide d'un chiffon humide. N'utilisez pas d'agent nettoyant abrasif ou à base de solvant. Cet outil n'est pas réparable par l'utilisateur. Si des problèmes surviennent, consultez un agent de réparation agréé.



Lubrification

Votre outil électrique ne nécessite aucune lubrification supplémentaire.



Nettoyage



AVERTISSEMENT ! : Soufflez les saletés et la poussière qui pénètrent dans le cadre de l'outil avec de l'air sec dès que vous observez que de la saleté s'accumule à l'intérieur et autour des prises d'air. Portez des lunettes de protection et des masques anti-poussière approuvés lors de cette procédure.



AVERTISSEMENT ! : N'utilisez jamais de solvants ou autres produits chimiques corrosifs pour nettoyer les parties non métalliques de l'outil. Ces matériaux chimiques peuvent affaiblir les matériaux de ces parties. Utilisez uniquement un chiffon imbibé d'eau mélangée à un savon doux. Ne laissez jamais couler un liquide à l'intérieur et ne plongez jamais une partie

quelconque de l'outil dans l'eau. Pour maintenir la SECURITÉ et la FIABILITÉ des produits, toute réparation, toute inspection et tout remplacement des balais de charbon, et tout autre entretien ou réglage doivent être effectués par un centre de services après-vente de STANLEY, en utilisant toujours des pièces de rechange d'origine STANLEY.

ACCESSOIRES EN OPTION



AVERTISSEMENT ! : Puisque les accessoires autres que ceux qui sont offerts par STANLEY n'ont pas été testés avec ce produit, l'utilisation de tels accessoires avec cet outil pourrait être dangereuse. Pour réduire le risque de blessures, seuls les accessoires recommandés par STANLEY devraient être utilisés avec ce produit.

Consultez votre revendeur pour obtenir de plus amples informations sur les accessoires appropriés.

PROTECTION DE L'ENVIRONNEMENT



Collecte séparée. Ce produit ne doit pas être jeté avec les ordures ménagères.

Si vous décidez de remplacer ce produit STANLEY, ou si vous n'en avez plus l'utilité, ne le jetez pas avec vos déchets domestiques. Mettez-le dans un point de collecte séparée approprié.



STANLEY met à votre disposition un centre de collecte et de recyclage pour les produits STANLEY ayant atteint la fin de leur durée de service. Pour profiter de ce service, veuillez retourner votre produit à un agent de réparation agréé qui se chargera de la collecte.

Vous pouvez trouver l'agent de service agréé le plus proche en contactant votre agence STANLEY locale à l'adresse indiquée dans ce manuel. Autrement, une liste d'agents de réparation agréés STANLEY et des informations complètes concernant notre service après-vente, y compris les coordonnées, sont disponibles en ligne à l'adresse suivante : www.2helpU.com.

REMARQUES

STANLEY mène une politique d'amélioration continue de ses produits et se réserve, de ce fait, le droit d'en modifier les caractéristiques sans préavis. Les accessoires ou équipements peuvent varier selon le pays. Les spécifications du produit peuvent varier selon le pays. La gamme complète du produit peut ne pas être disponible dans tous les pays. Contactez votre revendeur STANLEY local concernant la disponibilité de la gamme.

INFORMATION CONCERNANT LE CENTRE DE SERVICE

STANLEY offre un réseau complet de centres de service agréé. Tous les centres de service STANLEY disposent de personnel formé afin de fournir un service efficace et de confiance aux clients concernant les outils électriques. Si vous désirez plus d'informations sur les centres de service agréés, ou si vous avez besoin d'informations techniques, de réparation ou de pièce authentique d'usine, contactez le centre STANLEY le plus proche de chez vous.

PONCEUSE ORBITALE ALÉATOIRE		SS30
Tension	V_{AC}	De 220 à 240 environ
Fréquence	Hz	50-60
Alimentation électrique	W	300
Orbites (sans charge)	min^{-1}	0-13000
Diamètre du patin	mm	125
Poids	kg	1.4

НАЗНАЧЕНИЕ

Ваша эксцентровая шлифовальная машина SS30 STANLEY предназначена для шлифования деревянных, металлических, пластиковых и окрашенных поверхностей. Данный инструмент предназначен для профессионального использования.

ИНСТРУКЦИИ ПО ТЕХНИКЕ БЕЗОПАСНОСТИ

Следующие определения указывают на степень важности каждого сигнального слова. Прочтите руководство по эксплуатации и обратите внимание на данные символы.



ОПАСНО: Означает чрезвычайно опасную ситуацию, которая приводит к смертельному исходу или получению тяжёлой травмы.



ВНИМАНИЕ: Означает потенциально опасную ситуацию, которая может привести к смертельному исходу или получению тяжёлой травмы.



ПРЕДУПРЕЖДЕНИЕ: Означает потенциально опасную ситуацию, которая может привести к получению травмы лёгкой или средней тяжести.

ПРЕДОСТЕРЕЖЕНИЕ: Означает ситуацию, не связанную с получением телесной травмы, которая, однако, может привести к повреждению инструмента.



Риск поражения электрическим током!



Огнеопасность!



ВНИМАНИЕ: Внимательно прочтите руководство по эксплуатации для снижения риска получения травмы.

ПРАВИЛА БЕЗОПАСНОСТИ

Общие правила безопасности при работе с электроинструментами



ВНИМАНИЕ! Внимательно прочтите все инструкции по использованию, правила безопасности, спецификации, а также рассмотрите все иллюстрации, входящие в руководство по эксплуатации данного электроинструмента. Несоблюдение всех перечисленных ниже инструкций может привести к поражению электрическим током, возникновению пожара и/или получению серьёзной травмы.

Сохраните все инструкции по безопасности и руководство по эксплуатации для их дальнейшего использования. Термин «Электроинструмент» во всех приведённых ниже указаниях относится к вашему сетевому (с кабелем) электроинструменту или аккумуляторному (беспроводному) электроинструменту.

1. Безопасность рабочего места

- a. **Содержите рабочее место в чистоте и обеспечьте хорошее освещение.** Плохое освещение или беспорядок на рабочем месте может привести к несчастному случаю.
- b. **Не используйте электроинструменты, если есть опасность возгорания или взрыва, например, вблизи легко воспламеняющихся жидкостей, газов или пыли.** В процессе работы электроинструменты создают искровые разряды, которые могут воспламенить пыль или горючие пары.
- c. **Во время работы с электроинструментом не подпускайте близко детей или посторонних лиц.** Отвлечение внимания может вызвать у Вас потерю контроля над рабочим процессом.

2. Электробезопасность

- a. **Вилка кабеля электроинструмента должна соответствовать штепсельной розетке.** Ни в коем случае не видоизменяйте вилку электрического кабеля. Не используйте соединительные штепсели-переходники, если в силовом кабеле электроинструмента есть провод заземления. Использование оригинальной вилки кабеля и соответствующей ей штепсельной розетки уменьшает риск поражения электрическим током.
- b. **Во время работы с электроинструментом избегайте физического контакта с заземлёнными объектами, такими как трубопроводы, радиаторы отопления, электроплиты и холодильники.** Риск поражения электрическим током увеличивается, если Ваше тело заземлено.
- c. **Не используйте электроинструмент под дождём или во влажной среде.** Попадание воды в электроинструмент увеличивает риск поражения электрическим током.
- d. **Бережно обращайтесь с электрическим кабелем.** Ни в коем случае не используйте кабель для переноски электроинструмента или для вытягивания его вилки из штепсельной розетки. Не подвергайте электрический кабель воздействию высоких температур и смазочных веществ; держите его в стороне от острых кромок и движущихся частей электроинструмента. Повреждённый или запутанный кабель увеличивает риск поражения электрическим током.
- e. **При работе с электроинструментом на открытом воздухе используйте удлинительный кабель, предназначенный для наружных работ.** Использование кабеля, пригодного для работы на открытом воздухе, снижает риск поражения электрическим током.
- f. **При необходимости работы с электроинструментом во влажной среде используйте источник питания, оборудованный устройством защитного отключения (УЗО).** Использование УЗО снижает риск поражения электрическим током.

3. Личная безопасность

- a. **При работе с электроинструментами будьте внимательны, следите за тем, что**

- Вы делаете, и руководствуйтесь здравым смыслом.** Не используйте электроинструмент, если Вы устали, а также находясь под действием алкоголя или понижающих реакцию лекарственных препаратов и других средств. Малейшая неосторожность при работе с электроинструментами может привести к серьёзной травме.
- b. При работе используйте средства индивидуальной защиты. Всегда надевайте защитные очки.** Своевременное использование защитного снаряжения, а именно: пылезащитной маски, ботинок на нескользящей подошве, защитного шлема или противошумовых наушников, значительно снизит риск получения травмы.
 - c. Не допускайте непреднамеренного запуска.** Перед тем, как подключить электроинструмент к сети и/или аккумулятору, поднять или перенести его, убедитесь, что выключатель находится в положении «выключено». Не переносите электроинструмент с нажатым курковым выключателем и не подключайте к сетевой розетке электроинструмент, выключатель которого установлен в положение «включено», это может привести к несчастному случаю.
 - d. Перед включением электроинструмента снимите с него все регулировочные или гаечные ключи.** Регулировочный или гаечный ключ, оставленный закреплённым на вращающейся части электроинструмента, может стать причиной получения тяжёлой травмы.
 - e. Работайте в устойчивой позе. Всегда твёрдо стойте на ногах, сохраняя равновесие.** Это позволит Вам не потерять контроль при работе электроинструментом в непредвиденной ситуации.
 - f. Одевайтесь соответствующим образом. Во время работы не надевайте свободную одежду или украшения.** Следите за тем, чтобы Ваши волосы или одежда находились в постоянном отдалении от движущихся частей инструмента. Свободная одежда, украшения или длинные волосы могут попасть в движущиеся части инструмента.
 - g. Если электроинструмент снабжён устройством сбора и удаления пыли, убедитесь, что данное устройство подключено и используется надлежащим образом.** Использование устройства пылеудаления значительно снижает риск возникновения несчастного случая, связанного с запылённостью рабочего пространства.
 - h. Даже если Вы являетесь опытным пользователем и часто используете подобные инструменты, не позволяйте себе расслабляться и игнорировать правила безопасности при использовании инструментов.** Неосторожность и невнимательность при работе могут привести к тяжёлым травмам за доли секунды.
- 4. Использование электроинструментов и технический уход**
 - a. Не перегружайте электроинструмент.** Используйте Ваш инструмент по назначению. Электроинструмент работает надёжно и безопасно только при соблюдении параметров, указанных в его технических характеристиках.
 - b. Не используйте электроинструмент, если его выключатель не устанавливается в положение включения или выключения.** Электроинструмент с неисправным выключателем представляет опасность и подлежит ремонту.
 - c. Отключайте электроинструмент от сетевой розетки и/или извлекайте аккумулятор (если имеется) перед регулировкой, заменой принадлежностей или при хранении электроинструмента.** Такие меры предосторожности снижают риск случайного включения электроинструмента.
 - d. Храните неиспользуемые электроинструменты в недоступном для детей месте и не позволяйте лицам, не знакомым с электроинструментом или данными инструкциями, работать с электроинструментом.** Электроинструменты представляют опасность в руках неопытных пользователей.
 - e. Регулярно проверяйте исправность электроинструмента и дополнительных принадлежностей.** Проверяйте точность совмещения перемещения подвижных частей, целостность деталей и любых других элементов электроинструмента, воздействующих на его работу. Не используйте неисправный электроинструмент, пока он не будет полностью отремонтирован. Большинство несчастных случаев являются следствием недостаточного технического ухода за электроинструментом.
 - f. Следите за острой заточкой и чистотой режущих принадлежностей.** Принадлежности с острыми кромками позволяют избежать заклинивания и делают работу менее утомительной.
 - g. Используйте электроинструмент, аксессуары и насадки в соответствии с данным Руководством по эксплуатации и с учётом рабочих условий и характера будущей работы.** Использование электроинструмента не по назначению может создать опасную ситуацию.
 - h. Следите, чтобы рукоятки и поверхности захвата оставались сухими, чистыми и не содержали следов масла и консистентной смазки.** Скользкие рукоятки и поверхности захвата не обеспечивают безопасное обращение и управление инструментом в неожиданных ситуациях.
 - 5. Техническое обслуживание**
 - a. Ремонт Вашего электроинструмента должен производиться только квалифицированными специалистами с использованием идентичных запасных частей.** Это обеспечит безопасность

Вашего электроинструмента в дальнейшей эксплуатации.

ДОПОЛНИТЕЛЬНЫЕ СПЕЦИАЛЬНЫЕ ПРАВИЛА БЕЗОПАСНОСТИ

Инструкции по технике безопасности при работе шлифовальными машинами

- a. **Держите электроинструмент за изолированные поверхности, поскольку шлифовальная поверхность может задеть собственный кабель.** Разрезание находящегося под напряжением провода делает не покрытые изоляцией металлические части электроинструмента также «живыми», что создаёт опасность поражения оператора электрическим током.
- b. **ВНИМАНИЕ!** Контакт с пылью или вдыхание пыли, возникающей в ходе шлифовальных работ, может представлять опасность для здоровья оператора и окружающих лиц. Надевайте респиратор, специально разработанный для защиты от пыли и паров, и следите, чтобы лица, находящиеся в рабочей зоне, также были обеспечены средствами индивидуальной защиты.
- c. После окончания работы тщательно убирайте всю образовавшуюся пыль.
- d. Соблюдайте особую осторожность при удалении краски, которая может иметь свинцовую основу, или при шлифовании некоторых сортов дерева или металла, которые могут быть источником токсичной пыли:
 - Не позволяйте детям или беременным женщинам находиться в рабочей зоне.
 - Не принимайте пищу, не пейте и не курите в рабочей зоне.
 - Удаляйте частицы пыли и прочие отходы безопасным для окружающей среды способом.

Дополнительные инструкции по безопасности



ВНИМАНИЕ: Рекомендуется использование устройства защитного отключения с остаточным током 30 мА или менее.

БЕЗОПАСНОСТЬ ПОСТОРОННИХ ЛИЦ

- Данное изделие не может использоваться людьми (включая детей) со сниженными физическими, сенсорными и умственными способностями или при отсутствии необходимого опыта или навыка, за исключением, если они выполняют работу под присмотром лица, отвечающего за их безопасность.
- Не позволяйте детям играть с инструментом.

ОСТАТОЧНЫЕ РИСКИ

Несмотря на соблюдение соответствующих инструкций по технике безопасности и использование предохранительных устройств, некоторые остаточные риски невозможно полностью исключить. К ним относятся:

- Ухудшение слуха
- Риск получения травмы от разлетающихся частиц.
- Риск получения ожогов от принадлежностей и насадок, которые в процессе работы сильно нагреваются.
- Риск получения травмы, связанный с продолжительным использованием инструмента.
- Риск вдыхания пыли от опасных для здоровья веществ.

ЭЛЕКТРОБЕЗОПАСНОСТЬ



Данный инструмент защищён двойной изоляцией, что исключает потребность в заземляющем проводе. Всегда проверяйте, соответствует ли напряжение, указанное на табличке с техническими параметрами, напряжению электросети.



ВНИМАНИЕ! Во избежание повреждений или получения травмы, замена повреждённого кабеля питания должна производиться только на заводе-изготовителе, в авторизованном сервисном центре STANLEY или квалифицированным персоналом. При замене кабеля питания квалифицированным лицом, но не имеющим авторизацию STANLEY, гарантия на продукт будет недействительной.

ИСПОЛЬЗОВАНИЕ УДЛИНИТЕЛЬНОГО КАБЕЛЯ

При необходимости использования удлинительного кабеля, используйте только утверждённые 3-х жильные кабели промышленного изготовления, рассчитанные на мощность не меньшую, чем потребляемая мощность данного инструмента (см. раздел «Технические характеристики»). Минимальный размер проводника должен составлять 1,5 мм²; максимальная длина кабеля не должна превышать 30 м. При использовании кабельного барабана, всегда полностью разматывайте кабель.

Поперечное сечение проводника (мм ²) Номинал кабеля (Ампер)	Поперечное сечение проводника (мм ²) Номинал кабеля (Ампер)
0.75	6
1.00	10
1.50	15
2.50	20
4.00	25

Длина кабеля (м)						
	7.5	15	25	30	45	60

Напряжение	Ампер	Номинал кабеля (Ампер)					
110-127	0 - 2.0	6	6	6	6	6	10
	2.1 - 3.4	6	6	6	6	15	15
	3.5 - 5.0	6	6	10	15	20	20
	5.1 - 7.0	10	10	15	20	20	25
	7.1 - 12.0	15	15	20	25	25	-
220-240	0 - 2.0	6	6	6	6	6	6
	2.1 - 3.4	6	6	6	6	6	6
	3.5 - 5.0	6	6	6	6	10	15
	5.1 - 7.0	10	10	10	10	15	15
	7.1 - 12.0	15	15	15	15	20	20
	12.1-20.0	20	20	20	25	-	-

Место положения кода даты

Код даты, который также включает в себя год изготовления, отштампован на поверхности корпуса инструмента.

Пример:

2017 XX JN
Год изготовления

В УПАКОВКУ ВХОДЯТ:

- 1 Эксцентриковая шлифовальная машина
- 1 Лист шлифовальной бумаги
- 1 Пылесборник
- 1 Руководство по эксплуатации
- 1 Гарантийный талон
- Проверьте инструмент, детали и дополнительные приспособления на наличие повреждений, которые могли произойти во время транспортировки.
- Перед началом работы необходимо внимательно прочитать настоящее руководство и принять к сведению содержащуюся в нем информацию.

ОПИСАНИЕ (Рис. А)



ВНИМАНИЕ: Ни в коем случае не модифицируйте электроинструмент или какую-либо его деталь. Это может привести к получению травмы или повреждению инструмента.

1. Клавиша пускового выключателя
2. Дисконной электронный регулятор скорости
3. Пылесборник
4. Муфта пылесборника
5. Отверстие пылеотвода
6. Шлифовальная подошва
7. Шлифовальная бумага

СБОРКА И РЕГУЛИРОВКА



ВНИМАНИЕ: Для снижения риска получения тяжелой травмы, перед регулировкой или снятием/установкой дополнительных принадлежностей или насадок выключайте инструмент и отсоединяйте его от электросети. Перед повторным подключением инструмента нажмите и отпустите клавишу пускового выключателя, чтобы убедиться, что инструмент действительно выключен. Непреднамеренный запуск инструмента может привести к получению травмы.

Крепление шлифовальной бумаги (Рисунок А, В)



ВНИМАНИЕ! Никогда не используйте инструмент без установленной шлифовальной бумаги или насадок.

- С данной шлифмашиной используется шлифовальная бумага диаметром 125 мм, на липучке и 8-ю отверстиями для всасывания пыли.

МАРКИРОВКА ИНСТРУМЕНТА

На инструменте имеются следующие знаки:

	ВНИМАНИЕ! Полное ознакомление с руководством по эксплуатации перед использованием инструмента снизит риск получения травмы.		
	Надевайте защитные очки или маску.		
	Используйте средства защиты органов слуха.		
	Надевайте защитную маску или респиратор.		
V	Вольт		Постоянный ток
A	Ампер	n_0	Скорость без нагрузки
Hz	Герц		Конструкция Класса II
W	Ватт		Клемма заземления
min	минут		Символ опасности
	Переменный ток	/min.	Кол-во оборотов или шагов в минуту

1. Положите инструмент на стол шлифовальной подошвой (6) вверх.
2. Положите на подошву круг шлифовальной бумаги (7).
3. Удерживая подошву одной рукой, совместите отверстие для всасывания пыли на подошве и шлифовальной бумаге.
4. Плотно прижмите шлифовальную бумагу к подошве.

Настройка дискового электронного регулятора скорости (Рис. А)

При помощи дискового электронного регулятора (2) можно устанавливать скорость в диапазоне 0–13,000 колебаний в минуту.

Поверните регулятор и установите его на необходимый уровень.

Правильное регулирование достигается по приобретению определенного опыта.

Как правило, чем твёрже обрабатываемый материал, тем выше частота колебаний.

Пылеудаление (Рис. С)



ВНИМАНИЕ: Поскольку при обработке шлифмашиной древесины происходит постоянное выделение пыли, всегда устанавливайте пылесборник, разработанный в соответствии с действующими нормативами, касающимися выбросов пыли.



ВНИМАНИЕ: При шлифовании металлических поверхностей не используйте пылесборник или пылесос без соответствующих средств искрозащиты.

Данная шлифмашина может осуществлять пылеудаление через встроенное отверстие пылеотвода (5), позволяющее подсоединить к нему пылесборник (3), входящий в комплект поставки инструмента, или промышленный пылесос;

Установка пылесборника

1. Удерживая шлифмашину одной рукой, установите на отверстие пылеотвода (5) муфту пылесборника (4), как показано на Рисунке С.
2. Поверните муфту (4) против часовой стрелки, фиксируя пылесборник (3) на месте.

Опорожнение пылесборника

ПРИМЕЧАНИЕ: Выполняйте данную процедуру, надев средство защиты глаз и респиратор утверждённого типа.

Для обеспечения максимальной эффективности в работе опорожняйте пылесборник, когда он заполнится примерно на треть.

1. Удерживая шлифмашину одной рукой, поверните муфту (4) по часовой стрелке для разблокировки пылесборника (3).
2. Снимите пылесборник со шлифмашины и аккуратно потрясите или слегка постучите, опорожняя его содержимое.
3. Снова установите пылесборник на выпускное отверстие и зафиксируйте его на месте,

повернув муфту пылесборника по часовой стрелке.

ЭКСПЛУАТАЦИЯ



ВНИМАНИЕ: Не форсируйте рабочий процесс. Избегайте перегрузки инструмента.



ВНИМАНИЕ: Всегда следуйте указаниям действующих норм и правил безопасности.



ВНИМАНИЕ: Для снижения риска получения тяжёлой травмы, перед регулировкой или снятием/установкой дополнительных принадлежностей или насадок выключайте инструмент и отсоединяйте его от электросети.



ВНИМАНИЕ:

- Следите, чтобы все обрабатываемые заготовки были надёжно зафиксированы на месте.
- Не прилагайте к инструменту чрезмерного усилия. Чрезмерное прижимное давление не улучшает качество шлифования, но приводит к перегрузкам инструмента и быстрому истиранию абразивной бумаги.
- Избегайте перегрузки.



ВНИМАНИЕ: Не допускается шлифование магния!

ПРЕДОСТЕРЕЖЕНИЕ: Если при хранении вы наматываете кабель на инструмент, оставьте большую петлю, таким образом, кабель не погнётся. Эта мера поможет предотвратить повреждение кабеля.

Правильное положение рук во время работы (Рис. D)



ВНИМАНИЕ: Для уменьшения риска получения тяжёлой травмы, ВСЕГДА правильно удерживайте электроинструмент, как показано на рисунке.



ВНИМАНИЕ: Для уменьшения риска получения тяжёлой травмы ВСЕГДА надёжно удерживайте инструмент, предупреждая внезапные сбои в работе.

Правильное положение рук во время работы: одной рукой удерживайте корпус шлифмашины (10) или одной рукой удерживайте основную рукоятку (11), как показано на рисунке.

Включение и выключение (Рис. А)

При помощи дискового электронного регулятора (2) установите необходимую скорость.

Чтобы включить инструмент, установите пусковой выключатель в положение I.

Чтобы выключить инструмент, установите пусковой выключатель в положение O.

Шлифование

Начинайте шлифование бумагой с самым крупным абразивным зерном.

Поскольку шлифмашина оставляет небольшие царапины во всех направлениях, нет необходимости шлифовать вдоль волокон древесины.

С небольшими промежутками проверяйте качество работы.

Всегда выключайте электроинструмент после окончания работы и перед отключением от электросети.

Рекомендации по оптимальному использованию

- Не надавливайте слишком сильно на инструмент.
- Регулярно проверяйте состояние шлифовальной бумаги.
- При необходимости замените шлифовальную бумагу.
- При шлифовании свежеекрасочной поверхности перед нанесением нового слоя краски используйте мелкозернистую наждачную бумагу
- На неровных поверхностях, а также для удаления толстых слоёв краски предварительно используйте обдирочную (крупнозернистую) шлифовальную бумагу. На прочих поверхностях предварительно используйте получистовую (средней зернистости) шлифовальную бумагу. В обоих случаях при последующем шлифовании перейдите на чистовую (мелкозернистую) шлифовальную бумагу, чтобы получить ровную, гладкую поверхность.
- По вопросу приобретения дополнительных принадлежностей обращайтесь к Вашему дилеру.

Остаточные риски

При работе данным инструментом возможно возникновение дополнительных остаточных рисков, которые не вошли в описанные здесь правила техники безопасности. Эти риски могут возникнуть при неправильном или продолжительном использовании изделия и т.п.

Несмотря на соблюдение соответствующих инструкций по технике безопасности и использование предохранительных устройств, некоторые остаточные риски невозможно полностью исключить. К ним относятся:

- Травмы в результате касания вращающихся/двигающихся частей инструмента.
- Риск получения травмы во время смены деталей или насадок.
- Риск получения травмы, связанный с продолжительным использованием инструмента. При использовании инструмента в течение продолжительного периода времени делайте регулярные перерывы в работе.
- Ухудшение слуха.
- Ущерб здоровью в результате вдыхания пыли в процессе работы с инструментом (например,

при обработке древесины, в особенности, дуба, бука и ДВП).

ТЕХНИЧЕСКОЕ ОБСЛУЖИВАНИЕ

Ваш электроинструмент STANLEY рассчитан на работу в течение продолжительного времени при минимальном техническом обслуживании. Срок службы и надёжность инструмента увеличивается при правильном уходе и регулярной чистке.

- Регулярно очищайте вентиляционные отверстия вашего инструмента мягкой щёткой или сухой тканью.
- Регулярно очищайте корпус двигателя влажной тканью. Не используйте абразивные чистящие средства, а также чистящие средства на основе растворителей. Данный инструмент не обслуживается пользователем. В случае возникновения проблем до истечения указанного срока, обращайтесь в авторизованный сервисный центр.



Смазка

Ваш электроинструмент не требует дополнительной смазки.



Чистка



ВНИМАНИЕ: Выдувайте грязь и пыль из корпуса сухим сжатым воздухом по мере видимого скопления грязи внутри и вокруг вентиляционных отверстий. Выполняйте данную процедуру, надев средство защиты глаз и респиратор утверждённого типа.



ВНИМАНИЕ: Никогда не используйте растворители или другие агрессивные химические средства для очистки неметаллических деталей инструмента. Эти химикаты могут ухудшить свойства материалов, применённых в данных деталях.

Используйте ткань, смоченную в воде с мягким мылом. Не допускайте попадания какой-либо жидкости внутрь инструмента; ни в коем случае не погружайте какую-либо часть инструмента в жидкость. В целях обеспечения БЕЗОПАСНОСТИ и ДОЛГОВЕЧНОСТИ в использовании продукта ремонт, осмотр угловых щёток, замена деталей и прочее техническое обслуживание и регулировка должны производиться только в авторизованных сервисных центрах STANLEY и только с использованием идентичных запасных частей Stanley.

ДОПОЛНИТЕЛЬНЫЕ ПРИСПОСОБЛЕНИЯ



ВНИМАНИЕ: Поскольку принадлежности, отличные от тех, которые предлагает STANLEY, не проходили тесты на данном изделии, то использование этих принадлежностей может привести к опасной ситуации. Во избежание риска получения травмы, с данным продуктом должны использоваться только дополнительные принадлежности, рекомендованные STANLEY.

По вопросу приобретения дополнительных принадлежностей обращайтесь к вашему продавцу.

ЗАЩИТА ОКРУЖАЮЩЕЙ СРЕДЫ



Раздельный сбор. Данное изделие нельзя утилизировать вместе с обычными бытовыми отходами.

Если однажды вы захотите заменить ваше изделие STANLEY или вы больше в нём не нуждаетесь, не выбрасывайте его вместе с бытовыми отходами. Отнесите изделие в специальный приёмный пункт.



Фирма STANLEY обеспечивает приём и переработку отслуживших свой срок изделий STANLEY. Чтобы воспользоваться этой услугой, вы можете сдать ваше изделие в любой авторизованный сервисный центр, который собирает их по нашему поручению.

Вы можете узнать место нахождения вашего ближайшего авторизованного сервисного центра, обратившись в ваш местный офис STANLEY по адресу, указанному в данном руководстве по эксплуатации. Кроме того, список авторизованных сервисных центров STANLEY и полную информацию о нашем послепродажном обслуживании и контактах Вы можете найти в интернете по адресу: www.2helpU.com.

ПРИМЕЧАНИЯ

Политика STANLEY нацелена на постоянное усовершенствование нашей продукции, поэтому фирма оставляет за собой право изменять технические характеристики изделий без предварительного уведомления. Стандартное оборудование и дополнительные принадлежности могут меняться в зависимости от страны продаж. Технические характеристики продуктов могут различаться в зависимости от страны продаж. Полная линия продуктов присутствует на рынках не всех стран. Для получения информации касательно линии продуктов в вашей стране обратитесь в ближайший сервисный центр STANLEY

ИНФОРМАЦИЯ ПО ТЕХНИЧЕСКОМУ ОБСЛУЖИВАНИЮ

STANLEY имеет обширную сеть принадлежащих компании и авторизованных сервисных центров. В целях предоставления клиентам эффективного и надёжного технического обслуживания электроинструментов во всех сервисных центрах STANLEY работает обученный персонал. За дополнительной информацией о наших авторизованных сервисных центрах, а также, если вы нуждаетесь в технической консультации, ремонте или покупке оригинальных запасных частей, обратитесь в ближайший к вам сервисный центр STANLEY.

ТЕХНИЧЕСКИЕ ХАРАКТЕРИСТИКИ

ЭКСЦЕНТРИКОВАЯ ШЛИФОВАЛЬНАЯ МАШИНА		SS30
Напряжение	В перем. тока	220~240
Частота	Гц	50-60
Потребляемая мощность	Вт	300
Частота движения эксцентрика (без нагрузки)	д/мин	0-13000
Диаметр подошвы	мм	125
Вес	кг	1.4



Приложение к руководству по эксплуатации электроинструмента

Инструмент ручной электрифицированный: машины шлифовальные, торговой марки "Stanley", модели: SS28X-X, SS30X-X, SB90X-X, SB92X-X, SSS31X-X, где "X" – не более 4 символов (цифра от 0 до 9, и/или буква от А до Z, и/или " - ") или их отсутствие, обозначающие порядковый номер модели, комплектацию и тип упаковки. Директива 2014/35/EU ЕВРОПЕЙСКОГО ПАРЛАМЕНТА И СОВЕТА от 26 февраля 2014 г. «О гармонизации законодательств государств-членов в области размещения на рынке электрооборудования, предназначенного для использования в определенных пределах напряжения»; Директива 2014/30/EU ЕВРОПЕЙСКОГО ПАРЛАМЕНТА И СОВЕТА от 26 февраля 2014 г. «О гармонизации законодательств государств-членов ЕС в области электромагнитной совместимости»; Директива 2006/42/EC ЕВРОПЕЙСКОГО ПАРЛАМЕНТА И СОВЕТА от 17 мая 2006 г. «О машинах и оборудовании».

СЕРТИФИКАТ СООТВЕТСТВИЯ № RU C-DE.AЯ46.B.85903
Действителен до: 01 июля 2021 г.

Выдан: Орган по сертификации "РОСТЕСТ- Москва", Адрес: 119049, г. Москва, улица Житная, д. 14, стр. 1; 117418, Москва, Нахимовский просп., 31 (фактический), Телефон: (499) 1292311, (495) 6682893, Факс: (495) 6682893, E-mail: office@rostest.ru

Изготовитель: Изготовитель: Блэк энд Деккер Холдингс ГмбХ, Германия, 65510, Идштайн, ул. Блэк энд Деккер, 40, тел. +496126212790.

Хранение.

Необходимо хранить в сухом месте, вдали от источников повышенных температур и воздействия солнечных лучей. При хранении необходимо избегать резкого перепада температур. Хранение без упаковки не допускается

Срок службы.

Срок службы изделия составляет 5 лет. Не рекомендуется к эксплуатации по истечении 5 лет хранения с даты изготовления без предварительной проверки.

Дата изготовления (код даты) указана на корпусе инструмента.

Код даты, который также включает год изготовления, отштампован на поверхности корпуса изделия.

Пример:

2014 46 XX, где 2014 –год изготовления, 46-неделя изготовления.

Определить месяц изготовления по указанной неделе изготовления можно согласно приведенной ниже таблице.

Уполномоченное изготовителем юр.лицо:

ООО "Стэнли Блэк энд Деккер", 117485, город Москва, улица Обручева, дом 30/1, строение 2

Телефон: + 7 (495) 258-3981, факс: + 7 (495) 258-3984, E-mail: inbox@dewalt.com

Сведения о импортере указаны в сопроводительной документации и/или на упаковке

Транспортировка.

Категорически не допускается падение и любые механические воздействия на упаковку при транспортировке.

При разгрузке/погрузке не допускается использование любого вида техники, работающей по принципу зажима упаковки.

Перечень критических отказов, возможные ошибочные действия персонала.

Не допускается эксплуатация изделия:

- При появлении дыма из корпуса изделия
- При поврежденном и/или оголенном сетевом кабеле
- при повреждении корпуса изделия, защитного кожуха, рукоятки
- при попадании жидкости в корпус
- при возникновении сильной вибрации
- при возникновении сильного искрения внутри корпуса

Критерии предельных состояний.

- При поврежденном и/или оголенном сетевом кабеле
- при повреждении корпуса изделия

Месяц	Январь	Февраль	Март	Апрель	Май	Июнь	Июль	Август	Сентябрь	Октябрь	Ноябрь	Декабрь	Год производства
Неделя	01	05	09	13	17	22	26	31	35	39	44	48	2016
	02	06	10	14	18	23	27	32	36	40	45	49	
	03	07	11	15	19	24	28	33	37	41	46	50	
	04	08	12	16	20	25	29	34	38	42	47	51	
	09	13	17	21	26	30	35	39	43	48	52		
Неделя					22					44			2017
	01	05	09	13	18	22	26	31	35	40	44	48	
	02	06	10	14	19	23	27	32	36	41	45	49	
	03	07	11	15	20	24	28	33	37	42	46	50	
	04	08	12	16	21	25	29	34	38	43	47	51	
Неделя							31						2018
	01	05	09	13	18	22	26	31	35	40	44	48	
	02	06	10	14	19	23	27	32	36	41	45	49	
	03	07	11	15	20	24	28	33	37	42	46	50	
	04	08	12	16	21	25	29	34	38	43	47	51	
Неделя					18								2019
	01	05	09	14	18	22	27	31	35	40	45	48	
	02	06	10	15	19	23	28	32	36	41	46	49	
	03	07	11	16	20	24	29	33	37	42	47	50	
	04	08	12	17	21	25	30	34	38	43	48	51	
Неделя									40				2020
	01	05	09	14	18	23	27	31	36	40	44	49	
	02	06	10	15	19	24	28	32	37	41	45	51	
	03	07	11	16	20	25	29	33	38	42	46	51	
	04	08	12	17	21	26	30	34	39	43	47	52	
			14					36		49			

ПРИЗНАЧЕННЯ

Ексцентрикова шліфувальна машина STANLEY S530 призначена для шліфування дерев'яних, металевих, пластмасових та фарбованих поверхонь. Цей інструмент призначений для професійного використання.

ІНСТРУКЦІЇ З ТЕХНІКИ БЕЗПЕКИ

Наведені нижче визначення описують рівень небезпеки, якому відповідає кожне сигнальне слово. Необхідно ретельно ознайомитись із вмістом цього посібника та звернути увагу на наступні знаки.



НЕБЕЗПЕЧНО: Вказує на неминучу небезпечну ситуацію, яка, якщо її не усунути, обов'язково призведе до серйозних травм або смерті.



ОБЕРЕЖНО! Вказує на потенційно небезпечну ситуацію, яка, якщо її не усунути, може призвести до серйозних травм або смерті.



УВАГА: Вказує на потенційно небезпечну ситуацію, яка, якщо її не усунути, може призвести до травм легкого та середнього ступеню тяжкості.

ПРИМІТКА: Вказує на дію, що не пов'язана з особистою безпекою, але яка, якщо її не усунути, може призвести до пошкодження майна.



Вказує на небезпеку ураження електричним струмом.



Вказує на небезпеку виникнення пожежі.



Обережно: Щоб знизити ризик травмування, необхідно ретельно ознайомитись із вмістом цього посібника.

Загальні вказівки щодо безпечної роботи з електричним інструментом



УВАГА! Необхідно ретельно ознайомитись із усіма попереджувальними знаками, вказівками щодо безпечної роботи, графічними матеріалами та технічними описами, що додаються до цього електричного інструмента. Недотримання вказівок щодо безпечної роботи може призвести до ураження електричним струмом, пожежі та/або серйозних травм персоналу.

Зберігайте всі попереджувальні написи та вказівки щодо безпечної роботи для використання в майбутньому. Термін «електричний інструмент», що використовується у всіх застережливих написах та вказівках щодо техніки безпеки, представлених нижче, відноситься до електричного інструменту, що

працює від мережі (зі шнуром електроживлення) або від акумуляторної батареї (без шнура живлення).

1. Вказівки з техніки безпеки на робочому місці

- Утримуйте робоче місце в чистоті і добре освітленим.** Безлад або погане освітлення на робочому місці можуть призвести до нещасного випадку.
- Не працюйте з електроінструментом в місці зберігання вибухонебезпечних матеріалів, наприклад, у присутності легкозаймистих рідин, газів або пилу.** Електричні інструменти створюють іскри, що можуть запалити пил або пари.
- Забороняється перебування дітей та сторонніх осіб поблизу працюючого електричного інструменту.** Ви можете відволіктися і втратити контроль за роботою інструменту.

2. Електрична безпека

- Вилка шнура живлення інструмента повинна відповідати мережівій розетці.** Забороняється вносити будь-які зміни у вилку шнура живлення. Не використовуйте жодних вилок-перехідників із заземленими (зануленими) електроінструментами. Відсутність змін у вилках шнурів живлення та відповідність електричних вилок і розеток знижує ризик ураження електричним струмом.
- Не торкайтеся поверхонь заземлених чи занулених предметів, наприклад труб, радіаторів, електроплит або холодильників.** Заземлення чи занулення тіла підвищує ризик ураження електричним струмом.
- Забороняється піддавати електричні інструменти впливу дощу чи підвищеної вологості.** При попаданні вологи всередину електричного інструмента підвищується ризик ураження електричним струмом.
- Забороняється пошкоджувати шнур живлення.** У жодному разі не використовуйте шнур живлення для перенесення чи зміни положення інструмента; не тягніть за шнур, виймаючи вилку з розетки. Не прокладайте шнур живлення поруч із гарячими предметами, мастилом, гострими краями і рухомими деталями. Пошкодження й заплутування шнурів живлення підвищує ризик ураження електричним струмом.
- Під час роботи з електричним інструментом за межами приміщень використовуйте відповідний подовжувач.** Використання подовжувача, призначеного для роботи поза приміщеннями, знижує ризик ураження електричним струмом.
- Якщо електричним інструментом необхідно користуватись у вологому місці, слід використовувати пристрій захисного відключення (ПЗВ) електричної мережі.** Використання ПЗВ знижує ризик ураження електричним струмом.

3. Безпека персоналу

- a. Під час роботи з електричним інструментом необхідно бути обачним, слідкувати за виконуваною роботою та керуватися здоровим глуздом. Забороняється працювати з електричним інструментом у стані втоми чи під впливом наркотиків, алкоголю й лікарських препаратів. Ослаблення уваги навіть на мить може призвести до серйозної травми.
 - b. Використовуйте засоби індивідуального захисту. Завжди користуйтеся засобами захисту очей. Використання у відповідних умовах засобів індивідуального захисту, наприклад пилозахисної маски, протиковзного захисного взуття, захисної каски або засобів захисту органів слуху, завжди знижує ризик отримання травми.
 - c. Не допускайте ненавмисного вмикання інструмента. Перш ніж підключити джерело живлення та/або акумулятор, піднімати чи переносити інструмент, переконайтеся, що його вимикач переведено у положення «вимкнено». Якщо тримати палець на вимикачі під час перенесення інструмента чи підключення увімкненого інструмента до мережі, це підвищує ризик нещасного випадку.
 - d. Перш ніж увімкнути електричний інструмент, обов'язково вийміть із нього регулювальний чи гайковий ключ. Ключ, залишений ключ на обертальній деталі інструмента, може призвести до травмування.
 - e. Не намагайтеся дотягнутися до важкодоступних місць. Завжди міцно тримайтеся на ногах і зберігайте рівновагу під час роботи. Це дозволяє краще контролювати електричний інструмент у непередбачуваних ситуаціях.
 - f. Необхідно використовувати захисний одяг. Забороняється одягати вільний одяг та прикраси. Волосся та одяг мають знаходитися на безпечній відстані від рухомих деталей інструменту. Вільний одяг, прикраси чи довге волосся можуть бути захоплені рухомими елементами.
 - g. Якщо встановлені пристрої підключення засобів пиловловлювання та пиловзбірників, необхідно перевіряти, щоб вони були підключені та використовувалися належним чином. Використання цих пристроїв знижує рівень ризику, пов'язаного з пилом.
 - h. Досвід роботи з електричним інструментом та часте його використання не повинні ставати причиною легковажного ставлення до правил безпечної експлуатації чи їх ігнорування. Легковажне ставлення навіть на частку секунди може призвести до серйозної травми.
4. Використання та догляд за електричним інструментом
- a. Не застосовуйте надмірне зусилля до

електричного інструмента. Використовуйте електричний інструмент тільки за призначенням. Правильно підібраний електроінструмент дозволить виконати роботу краще і безпечніше при швидкості, для якої він був розроблений.

- b. Забороняється використовувати цей електричний інструмент, якщо не вдається увімкнути чи вимкнути його вимикачем. Будь-який електричний інструмент, роботою якого неможливо керувати за допомогою вимикача, є небезпечним, і його обов'язково потрібно відремонтувати.
 - c. Перш ніж регулювати електричний інструмент, замінювати на ньому приладдя чи класти на зберігання, необхідно витягти вилку живлення з розетки та/або від'єднати від нього акумулятор. Такий запобіжний захід безпеки знижує ризик ненавмисного увімкнення інструменту.
 - d. Зберігайте електричний інструмент, який в даний момент не використовується, в недоступному для дітей місці та не дозволяйте працювати з інструментом особам, які не знайомі з ним або з цими вказівками. Електричний інструмент є небезпечним в руках ненавченої людини.
 - e. Технічне обслуговування електроінструмента та приладдя. Перевіряйте центрування та з'єднання рухомих деталей, наявність пошкоджених деталей та будь-які фактори, які можуть негативно позначитися на роботі електричного інструмента. У разі виявлення пошкодження електричний інструмент необхідно відремонтувати перед використанням. Багато нещасних випадків трапляється через неналежне технічне обслуговування електричних інструментів.
 - f. Різучі інструменти мають бути загостреними й чистими. Підтримуваний у належному робочому стані ріжучий інструмент з гострими лезами менше застряє, ним легше керувати.
 - g. Використовуйте електричний інструмент, приладдя, вставні різці і т. п. відповідно до даних вказівок, враховуючи умови експлуатації та роботу, яка має бути виконана. Використання електричного інструменту не за призначенням може призвести до небезпечної ситуації.
 - h. Необхідно забезпечувати відсутність бруду, вологи та залишків оливи та мастила на рукоятках та поверхнях утримання інструменту. Слизькі рукоятки та поверхні утримання є джерелами небезпеки під час роботи з електричним інструментом та не дозволяють надійно керувати інструментом в нештатних ситуаціях.
5. Обслуговування
- a. Обслуговувати електричний інструмент повинен тільки кваліфікований ремонтник

персонал із використанням лише ідентичних запасних частин. Це забезпечить утримання електричного інструменту у безпечному стані.

ДОДАТКОВІ СПЕЦІАЛЬНІ ПРАВИЛА ТЕХНІКИ БЕЗПЕКИ

Техніка безпеки під час використання шліфувального інструменту

- a. **Оскільки шнур живлення може торкнутися шліфувальної поверхні, тримати інструмент необхідно за ізольовані поверхні.** В разі контакту з кабелем під напругою під напругу можуть потрапити металеві деталі електричного інструменту, внаслідок чого виникає небезпека ураження оператора електричним струмом.
- b. **ОБЕРЕЖНО!** Контакт з пилом або вдихання того пилу, що виникає внаслідок шліфувальної обробки, може становити небезпеку для здоров'я шліфувальника і тих, хто перебуває поруч. Одягайте пилозахисну маску, яка спеціально розроблена для захисту від пилу й отруйних газів і гарантує захист всіх осіб, які знаходяться на робочій ділянці або заходять на неї.
- c. Ретельно видаліть весь пил після виконання шліфування.
- d. Будьте особливо уважні при шліфуванні поверхонь, покритих фарбою, яка, можливо, містить свинець, і при шліфуванні деяких дерев'яних і металевих поверхонь, які можуть бути джерелом отруйного пилу:
 - Дітям і вагітним жінкам забороняється перебувати на робочому ділянці.
 - Приймати їжу, пити і курити на робочому ділянці заборонено.
 - Утилізуйте безпечним чином всі частинки пилу та інші відходи.

Вказівки щодо безпечного виконання всіх операцій



ОБЕРЕЖНО: Рекомендується використовувати пристрій захисного відключення з номінальним струмом вимкнення до 30 мА..

БЕЗПЕКА ІНШИХ ОСІБ

- Цей інструмент не призначений для використання особами (включаючи дітей) з обмеженими фізичними, сенсорними або розумовими здібностями або особами, у яких відсутній необхідний досвід і знання, крім випадків, коли вони знаходяться під наглядом і отримали належні інструкції по роботі з інструментом від особи, відповідальної за їхню безпеку.
- Щоб діти не гралися з інструментом, вони повинні знаходитися під наглядом.

ЗАЛИШКОВИЙ РИЗИК

Навіть за умови дотримання всіх відповідних правил техніки безпеки та використання

захисних пристроїв неможливо повністю усунути залишковий ризик. Серед таких небезпек:

- погіршення слуху;
- небезпека травмування частинками, що розлітаються;
- небезпека опіків внаслідок нагрівання приладдя під час роботи;
- небезпека травмування внаслідок тривалої роботи;
- небезпека, що спричинена пилом шкідливих речовин.

ЕЛЕКТРИЧНА БЕЗПЕКА



Цей інструмент має подвійну ізоляцію, тому дріт заземлення для нього не потрібен. Завжди перевіряйте, чи мережева напруга відповідає значенню, вказаному в таблиці з паспортними даними.



ОБЕРЕЖНО! Щоб уникнути травм і матеріальних збитків, пошкоджений шнур живлення необхідно замінити, звернувшись до виробника, в авторизований сервісний центр STANLEY чи до особи, яка має відповідну кваліфікацію. Якщо заміну шнура живлення виконує особа, яка має відповідну кваліфікацію, але не уповноважена компанією STANLEY, гарантію буде анульовано.

ВИКОРИСТАННЯ ПОДОВЖУВАЧА

Дозволяється використовувати лише 3-дротовий схвалений для застосування подовжувач, що відповідає вхідній потужності інструменту (див. Технічні характеристики). Мінімальний перетин кабелю має бути 1,5 мм², максимальна довжина — 30 метрів. У разі використання кабельної котушки обов'язково розмотувати подовжувач повністю.

Площа перерізу кабелю, мм ² Номінальний струм кабелю, А	Площа перерізу кабелю, мм ² Номінальний струм кабелю, А
0.75	6
1.00	10
1.50	15
2.50	20
4.00	25

Довжина кабелю, м						
	7.5	15	25	30	45	60

Напруга	Ампер	Номінальний струм кабелю (ампер)					
		6	6	6	6	6	10
110-127	0 - 2.0	6	6	6	6	6	10
	2.1 - 3.4	6	6	6	6	15	15
	3.5 - 5.0	6	6	10	15	20	20
	5.1 - 7.0	10	10	15	20	20	25
	7.1 - 12.0	15	15	20	25	25	-
220-240	12.1-20.0	20	20	25	-	-	-
	0 - 2.0	6	6	6	6	6	6
	2.1 - 3.4	6	6	6	6	6	6
	3.5 - 5.0	6	6	6	6	10	15
	5.1 - 7.0	10	10	10	10	15	15
7.1 - 12.0	15	15	15	15	20	20	
	12.1-20.0	20	20	20	20	25	-

НАКЛЕЙКИ НА ІНСТРУМЕНТІ

Наклейка на вашому інструменті може містити наступні символи:

	прочитати інструкцію з експлуатації перед його використанням. ОБЕРЕЖНО! Щоб знизити ризик травмування, необхідно уважно		
	Використовуйте відкриті і закриті захисні окуляри.		
	Необхідно застосовувати засоби захисту органів слуху.		
	Одягайте маску для захисту від пилу.		
V	Вольт		Постійний струм
A	Ампер	n_0	Швидкість холостого ходу
Гц	Герц		Конструкція II класу
Вт	Ват		Клема заземлення
хв	хвилини		Попереджувальний знак
	Змінний струм	/хв.	Кількість обертів або зворотно-поступальних рухів за хвилину

Положення коду з датою

На корпусі надрукований код з датою, який також містить рік виготовлення.

Приклад:

2017 XX JN

Рік виготовлення

ДО КОМПЛЕКТУ ПОСТАВКИ ВХОДЯТЬ

1 Ексцентрикова шліфувальна машина

1 Шліфувальний диск з наждачного паперу

1 Мішок для збирання пилу

Посібник з експлуатації — 1 шт

Гарантійний талон — 1 шт

Перелік сервісних центрів — 1 шт

- Необхідно перевірити, чи не має інструмент, його деталі та приладдя пошкоджень, які могли з'явитися під час транспортування.

- Перш ніж починати роботу з інструментом, слід уважно прочитати і вивчити вказівки, які містяться у цій інструкції.

ДЕТАЛІ ІНСТРУМЕНТА (РИС. А)



ОБЕРЕЖНО! Заборонено змінювати конструкцію інструмента або його частин. Це може призвести до травмування.

1. Вимикач
2. Ручка електрорегулювання швидкості
3. Картридж для збирання пилу
4. Шийка картриджа для збирання пилу
5. Отвір для вбирання пилу
6. Шліфувальна подушка
7. Шліфувальний диск з наждачного паперу

ЗБИРАННЯ ТА НАЛАШТУВАННЯ



ОБЕРЕЖНО! Щоб запобігти травмуванню, перед початком регулювання або зняття/встановлення приладдя необхідно завжди вимикати інструмент та від'єднувати його від джерела живлення. Перед повторним під'єднанням інструменту необхідно натиснути та відпустити пусковий вимикач, щоб переконатися, що інструмент вимкнений. Раптове увімкнення може призвести до травмування.

Закріплення наждакового паперу (Рис. А, В)



ОБЕРЕЖНО! Забороняється використовувати інструмент без встановленого наждакового аркуша або приналежності встановленого наждакового аркуша або приналежності.

В цьому інструменті використовується шліфувальний диск на застібці-липучці діаметром 125 мм (5"), який має 8 отворів для ефективного відведення пилу.

1. Встановіть ексцентрикову шліфувальну машину на верстак шліфувальною тарілкою (6) догори
2. Помістіть шліфувальний диск (7) прямо поперх шліфувальної тарілки.
3. Утримуйте шліфувальну тарілку однією рукою та сумістіть отвори на диску з отворами на тарілці.
4. Міцно притисніть шліфувальний диск до шліфувальної тарілки.

Налаштування швидкості за допомогою коліщатка електрорегулювання (Рис. А)

Швидкість безступінчасто регулюється в діапазоні 0–13 000 хв-1 за допомогою коліщатка електрорегулювання швидкості (2).

Поверніть коліщатко електрорегулювання швидкості у положення, яке відповідає потрібній швидкості.

Правильне налаштування залежить від досвіду роботи.

Проте загалом більш тверді матеріали вимагають більш високої швидкості.

Видалення пилу (Рис. С)



ОБЕРЕЖНО! Оскільки обробка деревини за допомогою шліфувальної машини призводить до утворення пилу, завжди встановлюйте картридж для збирання пилу відповідно до діючих норм стосовно пилового забруднення.



ОБЕРЕЖНО! : Не використовуйте картридж для збирання пилу або пневматичні системи відведення пилу за відсутності відповідного захисту від утворення іскор при шліфуванні металу.

Конструкція вашої шліфувальної машини підготована для роботи із пристроями для видалення пилу: вбудований отвір (5), який дозволяє або під'єднати картридж для збирання пилу (3) з комплекту поставки, або під'єднати одну з пневматичних систем відведення пилу, що наявні в продажу.

Для під'єднання картриджа для збирання пилу

1. Утримуючи шліфувальну машину, встановіть шийку картриджа для збирання пилу (4) у отвір (5), як показано на Рисунку С.
2. Поверніть шийку (4) проти годинникової стрілки та зафіксуйте картридж для збирання пилу (3) у встановленому положенні.

Для спорожнення картриджа для збирання пилу

ПРИМІТКА: Під час виконання цієї процедури завжди необхідно використовувати засоби захисту очей і респіратор встановленого зразка.

Для ефективного видалення пилу слід спорожнювати пилозбірник, коли він заповнюється на третину свого об'єму.

1. Утримуючи шліфувальну машину, поверніть шийку (4) за годинниковою стрілкою та розблокуйте картридж для збирання пилу (3).
2. Зніміть картридж для збирання пилу з шліфувальної машини та акуратно потрусіть його або постукайте по ньому, щоб спорожнити.
3. Повторно встановіть картридж для збирання пилу в отвір та зафіксуйте його на місці, повернувши шийку картриджа для збирання пилу проти годинникової стрілки.

ВИКОРИСТАННЯ



ОБЕРЕЖНО! Інструмент має працювати зі швидкістю, яка відповідає його технічним характеристикам. Не перевантажуйте його.



ОБЕРЕЖНО! : Завжди дотримуйтесь інструкцій із техніки безпеки і відповідних норм.



ОБЕРЕЖНО! : Щоб запобігти травмуванню, перед початком

регулювання або зняття/встановлення приладдя необхідно завжди вимикати інструмент та від'єднувати його від джерела живлення.



ОБЕРЕЖНО!

- Перевірте, щоб всі матеріали, що підлягають шліфуванню, були надійно закріплені.
- Не застосовуйте до робочої заготовки надмірного зусилля. Надмірний тиск не покращує ефективність шліфування, а призводить лише до створення надмірного навантаження на машину і спричиняє розрив абразивних поверхонь.
- Уникайте перевантажень інструмента.



ОБЕРЕЖНО! : Забороняється шліфувати магній!

ПРИМІТКА : Якщо ви обмотуєте шнур навколо інструмента під час зберігання, залишайте велику петлю, щоб на шнурі не утворювались згини.

Це допомагає уникнути передчасного зносу шнура та його розриву.

Правильне положення рук (Рис. D)



ОБЕРЕЖНО! : Щоб зменшити ризик отримання серйозної травми, **ЗАВЖДИ** тримайте руки в положенні, показаному на рисунку.



ОБЕРЕЖНО!: Щоб зменшити ризик отримання серйозної травми, **ЗАВЖДИ** міцно тримайте інструмент та будьте готовим до раптової реакції.

Правильне положення рук — одна рука тримає шліфувальну машину за корпус (10), а друга рука утримує головну рукоятку (11), як зображено на рисунку.

Увімкнення та вимкнення (Рис. A)

Задайте швидкість шліфування за допомогою кільцяшка електрорегулювання швидкості (2).

Щоб увімкнути інструмент, перемістіть вимикач в положення I.

Щоб вимкнути інструмент, перемістіть вимикач в положення O.

Шліфування

Починайте шліфування з найбільш крупнозернистим наждачним папером.

Оскільки інструмент утворює сліди абразивного впливу в усіх напрямках, то немає потреби здійснювати шліфування уздовж волокон.

Перевіряйте результати вашої роботи через невеликі проміжки часу.

Завжди переводьте перемикач інструмента в положення ВИМК. після завершення роботи та перед від'єднанням від електромережі.

Поради щодо ефективного використання інструмента

- Не застосовуйте силу до інструмента.
- Регулярно перевіряйте стан шліфувального паперу.
- За необхідності замінійте диск з наждачного паперу.
- Під час шліфування свіжих шарів фарби, перед нанесенням нового шару використовуйте наддрібнозернистий абразив.
- Під час шліфування дуже нерівних поверхонь або знятті шарів фарби починайте роботу з грубозернистим абразивом. Обробку інших поверхонь починайте за допомогою абразиву середньої зернистості. В обох випадках поступово зменшуйте зернистість абразиву і для фінішної обробки використовуйте дрібнозернистий абразив.
- Детальну інформацію про доступне приладдя можна дізнатися у роздрібного продавця.

Залишковий ризик

Додатковий залишковий ризик може виникнути у випадках використання інструмента, які можуть бути не враховані в перерахованих вказівках щодо безпечної роботи. Така небезпека може виникати в разі неправильного або тривалого використання тощо.

Навіть в разі дотримання всіх відповідних правил техніки безпеки та використанні захисних пристроїв деякі залишкові небезпеки все ж залишаються. Серед них:

- травми, отримані внаслідок торкання обертових і рухомих деталей;
- травми, отримані під час заміни деталей, ножів та приладдя;
- травми, отримані внаслідок тривалого використання інструменту. В разі тривалого використання інструменту необхідно робити регулярні перерви в роботі;
- погіршення слуху;
- Погіршення здоров'я, викликане вдиханням пилу, що з'являється під час роботи інструменту (наприклад, під час роботи з деревом, особливо з дубом, буком або ДВП).

ТЕХНІЧНЕ ОБСЛУГОВУВАННЯ

Конструкція інструмента STANLEY розрахована на роботу протягом тривалого періоду часу з мінімальним технічним обслуговуванням.

Тривала задовільна робота інструменту залежить від належного догляду та регулярного чищення.

- Необхідно регулярно очищувати вентиляційні прорізи в інструменті і зарядному пристрої за допомогою м'якої щіточки або сухої тканини.
- Необхідно регулярно очищувати корпус двигуна за допомогою вологої тканини. Не використовуйте будь-яку очищувальну рідину на основі розчинників або абразивних

речовин. Дане обладнання не призначене для обслуговування користувачем. В разі виникнення несправностей необхідно звернутися до авторизованого сервісного центру.



Змащування

Ваш електричний інструмент не потребує додаткового змащування.



Очищення



ОБЕРЕЖНО! Видувати бруд і пил з корпусу дозволяється за допомогою сухого повітря під тиском по мірі накопичення бруду всередині і навколо вентиляційних отворів. Під час виконання цієї процедури необхідно використовувати засоби захисту очей і респіратор встановленого зразка.



ОБЕРЕЖНО! Для очищення неметалевих частин інструменту забороняється використовувати розчинники та агресивні хімічні речовини. Ці хімічні речовини можуть пошкодити матеріали, з яких складаються ці деталі. Для очищення потрібно використовувати суху ганчірку та м'який мильний розчин. Не дозволяється проникнення рідини всередину інструменту і занурення інструменту будь-якою частиною в рідину. Для забезпечення БЕЗПЕКИ та НАДІЙНОСТІ інструменту ремонт, перевірку стану графітових щіток та їхню заміну, а також будь-які інші операції з технічного обслуговування мають проводити працівники сервісних центрів STANLEY, а для заміни потрібно використовувати тільки запасні частини STANLEY.

ДОДАТКОВЕ ПРИЛАДДЯ



ОБЕРЕЖНО! Оскільки приладдя сторонніх виробників, що не входять до переліку приладдя STANLEY, не було випробоване з цим виробом, його використання може бути небезпечним. Для запобігання травмуванню необхідно використовувати лише рекомендовані компанією STANLEY приладдя та обладнання.

Детальну інформацію про доступне приладдя можна дізнатися у офіційного дилера.

ЗАХИСТ НАВКОЛИШНЬОГО СЕРЕДОВИЩА



Роздільний збір відходів. Забороняється утилізувати цей виріб разом зі звичайними побутовими відходами.

Якщо ви вирішите, що ваш виріб STANLEY необхідно замінити, або припините його використовувати, не

викидайте його разом із побутовими відходами. Цей виріб підлягає роздільному збору відходів.



Компанія STANLEY має систему збору і повторної переробки виробів STANLEY після закінчення терміну експлуатації. Щоб скористатися перевагою цього сервісу, будь ласка, надішліть ваш виріб будь-якому уповноваженому представнику з ремонту, який збирає такі вироби від нашого імені.

Адресу вашого найближчого уповноваженого представника з ремонту можна дізнатися, звернувшись у регіональне представництво STANLEY за адресою, наведеною в цій інструкції. Крім того, список уповноважених представників з ремонту STANLEY, детальну інформацію про обслуговування після продажу та контактні дані можна знайти на сайті: www.2helpU.com.

ПРИМІТКИ

Одним із принципів політики STANLEY є постійне вдосконалення наших виробів, тому ми залишаємо за собою право змінювати характеристики нашої продукції без попереднього сповіщення. Перелік стандартного та додаткового обладнання може різнитися залежно від країни. Технічні характеристики виробів можуть різнитися залежно від країни. Повний асортимент продукції може бути доступний не в усіх країнах. З питання наявності наших продуктів зверніться до дилерів STANLEY.

ІНФОРМАЦІЯ З ОБСЛУГОВУВАННЯ

Компанія STANLEY має широкую мережу власних та авторизованих сервісних центрів. Всі сервісні центри компанії STANLEY укомплектовано персоналом із відповідною підготовкою, який виконує ефективне і надійне сервісне обслуговування власників електричних інструментів. Щоб отримати додаткову інформацію про авторизовані сервісні центри, пораду технічного спеціаліста чи замовити ремонт та оригінальні запасні частини, зверніться до найближчого представництва STANLEY.

ТЕХНІЧНІ ХАРАКТЕРИСТИКИ

ЕКСЦЕНТРИКОВА ШЛІФУВАЛЬНА МАШИНА		SS30
Напруга	V _{зм.ст}	220~240
Частота	Гц	50-60
Споживана потужність	Вт	300
Траєкторії (без навантаження)	хв. ⁻¹	0-13000
Діаметр контактної тарілки	мм	125
Вага	кг	1,4

KULLANIM AMACI

STANLEY SS30 eksantrik zımparanız ahşap, metal, plastik ve boyalı yüzeylerin zımparalanması için tasarlanmıştır. Bu alet profesyonel kullanım içindir.

GÜVENLİK TALİMATLARI

Aşağıdaki tanımlar her işaret sözcüğü ciddiyet derecesini gösterir. Lütfen kılavuzu okuyunuz ve bu simgelere dikkat ediniz.



TEHLİKE: Engellenmemesi halinde ölüm veya ciddi yaralanma ile sonuçlanabilecek çok yakın bir tehlikeli durumu gösterir.



UYARI: Engellenmemesi halinde ölüm veya ciddi yaralanma ile sonuçlanabilecek potansiyel bir tehlikeli durumu gösterir.



DİKKAT: Engellenmemesi halinde önemsiz veya orta dereceli yaralanma ile sonuçlanabilecek potansiyel bir tehlikeli durumu gösterir.

İKAZ: Engellenmemesi halinde maddi hasara neden olabilecek, yaralanma ile ilişkisi olmayan durumları gösterir.



Elektrik çarpması riskine işaret eder.



Yangın riskini belirtir.



Uyarı: Yaralanma riskini azaltmak için, kullanım kılavuzunu okuyun.

GÜVENLİK TALİMATLARI**Genel elektrikli alet güvenlik uyarıları**

UYARI! Bu elektrikli alet ile verilen tüm güvenlik uyarıları, talimatlar, resimli açıklamalar ve teknik özellikleri okuyun. Aşağıda belirtilen tüm talimatların herhangi birisine uyulmaması elektrik çarpması, yangın ve/veya ciddi yaralanma riskine neden olabilir.

Bütün uyarı ve güvenlik talimatlarını ileride bakmak üzere saklayın. Aşağıda yer alan uyarılardaki «elektrikli alet» terimi şebeke elektriğiyle (kablolu) veya akü/pille (şarjlı) çalışan elektrikli aletinizi ifade etmektedir.

1. Çalışma alanının güvenliği

- Çalışma alanını temiz ve aydınlık tutun.** Karışık veya karanlık alanlar kazaya davetiye çıkartır.
- Elektrikli aletleri, yanıcı sıvılar, gazlar ve tozların bulunduğu yerler gibi yanıcı ortamlarda çalıştırmayın.** Elektrikli aletler, toz veya dumanları ateşleyebilecek kıvılcımlar çıkartır.
- Bir elektrikli aleti çalıştırırken çocuklardan ve etraftaki kişilerden uzak tutun.** Dikkatinizi dağıtıcı şeyler kontrolü kaybetmenize neden olabilir.

2. Elektrik güvenliği

- Elektrikli aletlerin fişleri prizlere uygun olmalıdır. Fiş üzerinde kesinlikle hiçbir**

değişiklik yapmayın. Topraklı elektrikli aletlerde hiçbir adaptör fişi kullanmayın. Değiştirilmemiş fişler ve uygun prizler elektrik çarpması riskini azaltacaktır.

- Borular, radyatörler, ocaklar ve buzdolapları gibi topraklanmamış yüzeylerle vücut temasından kaçının.** Vücudunuzun topraklanması halinde yüksek bir elektrik çarpması riski vardır.
- Elektrikli aletleri yağmura maruz bırakmayın veya ıslatmayın.** Elektrikli alete su girmesi elektrik çarpması riskini arttıracaktır.
- Elektrikli kablousunu uygun olmayan amaçlarla kullanmayın.** Elektrikli aleti kesinlikle kablousundan tutarak taşımayın, çekmeyin veya prizden çıkartmayın. Kabloyu sıcağın, yağdan, keskin kenarlardan veya hareketli parçalardan uzak tutun. Hasarlı veya dolaşmış kablolar elektrik çarpması riskini artırır.
- Elektrikli bir aleti açık havada çalıştırıyorsanız, açık havada kullanıma uygun bir uzatma kablosu kullanın.** Açık havada kullanıma uygun bir kablounun kullanılması elektrik çarpması riskini azaltır.
- Eğer bir elektrikli aletin nemli bir bölgede çalıştırılması zorunluysa, bir artık akım aygıtı (RCD) korumalı bir kaynak kullanın.** Bir RCD kullanılması elektrik şoku riskini azaltır.

3. Kişisel güvenlik

- Elektrikli bir aleti kullanırken her zaman dikkatli olun, yaptığınız işe yoğunlaşın ve sağduyulu davranın.** Elektrikli bir aleti yorgunken veya ilaç ya da alkolün etkisi altındayken kullanmayın. Elektrikli aletleri kullanırken bir anlık dikkatsizlik ciddi kişisel yaralanmayla sonuçlanabilir.
- Kişisel koruyucu ekipmanları mutlaka kullanın. Daima koruyucu gözlük takın.** Koşullara uygun toz maskesi, kaymayan güvenlik ayakkabıları, baret veya kulaklık gibi koruyucu donanımların kullanılması kişisel yaralanmaları azaltacaktır.
- İstem dışı çalıştırılmasını önleyin. Aleti güç kaynağına ve/veya aküye bağlamadan, yerden kaldırmadan veya taşımadan önce açma/kapama düğmesinin kapalı konumda olduğundan emin olun.** Aleti, parmağınız tetik üzerinde bulunacak şekilde taşımak veya açık konumdaki elektrikli aletleri elektrik şebekesine bağlamak kazaya davetiye çıkartır.
- Elektrikli aleti açmadan önce tüm ayarlamaları anahtarlarını çıkartın.** Elektrikli aletin hareketli bir parçasına takılı kalmış bir anahtar kişisel yaralanmaya neden olabilir.
- Ulaşmakta zorlandığınız yerlerde kullanmayın. Daima sağlam ve dengeli basın.** Bu, beklenmedik durumlarda elektrikli aletin daha iyi kontrol edilmesine olanak tanır.
- Uygun şekilde giyinin. Bol elbiseler giymeyin ve takı takmayın.** Şačınızı ve elbiselerinizi hareketli parçalardan uzak tutun. Bol elbiseler

ve takılar veya uzun saç hareketli parçalara takılabilir.

g. Eğer kullandığınız üründe toz emme ve toplama özellikleri olan ataşmanlar varsa bunların bağlı olduğundan ve doğru şekilde kullanıldığından emin olun. Bu toz toplama ataşmanların kullanılması tozla ilgili tehlikeleri azaltabilir.

h. Aletlerin sık kullanımından edindiğiniz aşinalığın sizi dikkatsiz kılmasına ve alet güvenlik prensiplerini önemsememeye izin vermeyin. Dikkatsiz bir eylem, bir saniyeden daha az sürede ciddi yaralanmalara neden olabilir.

4. Elektrikli aletlerin kullanımı ve bakımı

a. Elektrikli aleti zorlamayın. Uygulamanız için doğru elektrikli aleti kullanın. Doğru elektrikli alet, belirlendiği kapasite ayarında kullanıldığında daha iyi ve güvenli çalışacaktır.

b. Tetik açmıyor ve kapatmıyorsa elektrikli aleti kullanmayın. Tetikle kontrol edilemeyen tüm elektrikli aletler tehlikelidir ve tamir edilmesi gerekmektedir.

c. Herhangi bir ayarlama, aksesuar değişimi veya elektrikli aletlerin saklanması öncesinde fişi güç kaynağından çekin ve/veya aküyü elektrikli aletten ayırın. Bu tür önleyici güvenlik tedbirleri aletin istem dışı olarak çalıştırılması riskini azaltacaktır.

d. Elektrikli aleti, çocukların ulaşamayacağı yerlerde saklayın ve elektrikli aleti tanımayan veya bu talimatları bilmeyen kişilerin elektrikli aleti kullanmasına izin vermeyin. Elektrikli aletler, eğitimsiz kullanıcıların elinde tehlikelidir.

e. Elektrikli aletleri ve aksesuarları iyi durumda muhafaza edin. Hareketli parçalardaki hizalama hatalarını ve tutuklukları, parçalardaki kırılmalar ve elektrikli aletin çalışmasını etkileyebilecek tüm diğer koşulları kontrol edin. Hasarlı ise, elektrikli aleti kullanmadan önce tamir ettirin. Kazaların çoğu, elektrikli aletlerin bakımının yeterli şekilde yapılmamasından kaynaklanır.

f. Kesim aletlerini keskin ve temiz tutun. Bakımı uygun şekilde yapılmış keskin kesim uçlu kesim aletlerinin sıkışma ihtimali daha düşüktür ve kontrol edilmesi daha kolaydır.

g. Elektrikli aleti, aksesuarlarını ve aletin diğer parçalarını kullanırken bu talimatlara mutlaka uyun ve çalışma ortamının koşullarını ve yapılacak işin ne olduğunu göz önünde bulundurun. Elektrikli aletin öngörülen işlemler dışındaki işlemler için kullanılması tehlikeli durumlara neden olabilir.

h. Kolları ve kavrama yüzeylerini kuru, yağsız ve gressiz tutun. Kaygan kollar ve kavrama yüzeyleri, beklenmeyen durumlarda aletin güvenli bir şekilde taşınması ve kontrol edilmesine izin vermez.

5. Servis

a. Elektrikli aletinizi, sadece orijinal yedek

parçalarını kullanıldığı yetkili servise tamir ettirin. Bu, elektrikli aletin güvenliğinin muhafaza edilmesini sağlayacaktır.

ÖZEL EK GÜVENLİK TALİMATLARI

Zımparalar için güvenlik talimatları

a. Zımpara tabanı kendi kablosuna temas edebileceği için elektrikli el aletini yalıtımlı kavrama yüzeylerinden tutun. «Akım taşıyıcı» bir teli kesmesi metal kısımları «akım taşıyıcı» hale götürür ve operatörün çarpılmasına yol açacaktır.

b. UYARI! Zımparalama uygulamaları nedeniyle açığa çıkan tozla temas operatörün ve çevrede bulunanların sağlığını tehlikeye atabilir. Toz ve dumanlara karşı korunma için özel olarak tasarlanmış bir toz maskesi kullanın ve çalışma alanına giren veya bu alanda bulunan kişilerin de korunduğundan emin olun.

c. Zımparalama işleminin ardından tüm tozu güzelce temizleyin.

d. Kurşun bızlı olma ihtimali olan boyaları ve zehirli toz üretebilecek aşşap ve metalleri zımparalarken özel bir dikkat gösterin:

e. Çocukların veya gebe kadınların çalışma alanına girmesine izin vermeyin.

f. Çalışma alanında bir şey yemeyin, herhangi bir içecek veya sigara içmeyin.

g. Toz partiküllerini ve diğer moloz kalıntılarını güvenli bir şekilde atın.

Ek güvenlik talimatları



UYARI: Alet, 30mA akımı aşmayan akım kesici cihazla beraber kullanılmaya tavsiye edilir.

DiĞER KiŞİLERİN GÜVENLİĞİ

- Bu alet fiziksel ve zihinsel kapasitesinin yanı sıra algılamaya gücü azalmış olan veya yeterince deneyim ve bilgisi bulunmayan kişiler (çocuklar dahil) tarafından kullanılmak üzere üretilmemiştir. Bu tür kişiler aleti ancak güvenliklerinden sorumlu bir kişi tarafından cihazın kullanımıyla ilgili talimatların verilmesi veya sürekli kontrol altında tutulması durumunda kullanabilir.
- Çocuklar, aletle oynamalarını önlemek amacıyla kontrol altında tutulmalıdır.

DiĞER TEHLİKELER

Emniyet tedbirlerini düzenleyen yönetmeliğin uygulanmasına ve emniyet sağlayıcı aygıtların kullanılmasına rağmen, başka belirli risklerden kaçınılamaz. Bunlar:

- Duyma bozukluğu
- Sıçrayan parçacıklardan kaynaklanan yaralanma riski.
- Çalışma sırasında ısınan aksesuarlardan kaynaklanan yanık tehlikesi.
- Uzun süreli kullanımdan kaynaklanan yaralanma riski.
- Tehlikeli maddeler içeren tozun oluşması riski.

ELEKTRİK GÜVENLİĞİ

Bu alet çift yalıtımlıdır. Bu yüzden hiçbir topraklama kablosuna gerek yoktur. Her zaman şebeke geriliminin aletin üretim etiketinde belirlenmiş değerlere uyup uymadığını kontrol edin.



UYARI! Elektrik kablosu hasarlı ise, bir tehlike oluşmasını önlemek için üretici ya da yetkili STANLEY Servis Merkezi tarafından değiştirilmelidir. Elektrik kablosu STANLEY yetkili servisi haricinde değiştirilirse, garanti geçerli olmayacaktır.

UZATMA KABLOLARININ KULLANIMI

Bir uzatma kablosu gerekli ise, bu aletin elektrik girişine uygun (Teknik Özellikleri bölümüne bakın), onaylı bir 3 telli uzatma kablo kullanın. Minimum iletken boyutu 1,5 mm²'dir; maksimum uzunluk 30 m'dir. Bir kablo makarası kullanırken, kabloyu daima sonuna kadar açın.

İletken boyutu (mm2) Kablo gücü (Amper)	İletken boyutu (mm2) Kablo gücü (Amper)
0.75	6
1.00	10
1.50	15
2.50	20
4.00	25

Kablo uzunluğu (m)						
	7.5	15	25	30	45	60

Voltaj	Amper	Kablo gücü (Amper)					
110-127	0 - 2.0	6	6	6	6	6	10
	2.1 - 3.4	6	6	6	6	15	15
	3.5 - 5.0	6	6	10	15	20	20
	5.1 - 7.0	10	10	15	20	20	25
	7.1 - 12.0	15	15	20	25	25	-
220-240	12.1 - 20.0	20	20	25	-	-	-
	0 - 2.0	6	6	6	6	6	6
	2.1 - 3.4	6	6	6	6	6	6
	3.5 - 5.0	6	6	6	6	10	15
	5.1 - 7.0	10	10	10	10	15	15
7.1 - 12.0	15	15	15	15	20	20	
12.1 - 20.0	20	20	20	20	25	-	

ALET ÜZERİNDEKİ ETİKETLER

Aletin etiketinde aşağıdaki semboller bulunabilir:

	UYARI! Yaralanma riskini en aza indirmek için kullanıcı kullanım talimatlarını mutlaka okumalıdır.		
	Koruyucu gözlük takın.		
	Kulaklık takın.		
	Toz maskesi takın.		
V	Volt		Doğru akım
A	Amper	n_0	Yüksüz hızı
Hz	Hertz		Çift yalıtım
W	Watt		Topraklı terminal
min	dakikalar		Güvenlik uyarı sembolü
	Dalgalı akım	/min.	Dakikada devir veya darbe sayısı

Tarih kodu konumu

İmalat yılını da içeren Tarih Kodu gövdeye basılıdır.

Örnek:

2017 XX JN
İmalat Yılı

AMBALAJ, AŞAĞIDAKİ PARÇALARI İÇERMEKTEDİR

1 Eksantrik zımpara

1 Zımpara kağıdı

1 Toz torbası

1 Kullanım kılavuzu

1 Garanti kartı

1 Servis merkezleri listesi

- Alette, parçalarda veya aksesuarlarda nakliye sırasında meydana gelmiş olabilecek hasarı kontrol edin.
- Aleti çalıştırmadan önce, bu kullanım kılavuzunu baştan sonra okuyup anlamak için gerekli zamanı ayırın.

ÖZELLİKLER (ŞEKİL A)

UYARI: Hiçbir zaman elektrikli aleti veya herhangi bir parçasını değiştirmeyin. Hasarla veya yaralanmayla sonuçlanabilir.

1. Açma/kapama düğmesi
2. Elektronik hız kontrol kadranı
3. Toz torbası
4. Toz torbası bileziği
5. Toz atma çıkışı
6. Zımpara tabanı
7. Zımpara kağıdı

MONTAJ VE AYARLAMA

UYARI: Ciddi yaralanma riskini azaltmak için herhangi bir ayar yapmadan ya da parça veya aksesuarları söküp takmadan önce aleti kapatın ve güç kaynağından ayırın. Aleti yeniden bağlamadan önce aletin kapalı olduğundan emin olmak için tetiğe basıp bırakın. Aletin yanlışlıkla çalıştırılması yaralanmaya neden olabilir.

Zımpara kağıdı takılması (Şekil A, B)

UYARI! Aleti, zımpara kâğıdı veya aksesuar takılı olmadan kesinlikle kullanmayın.

Bu alet, 8 toz çıkartma deliği deseni 125 mm kendinden yapışkanlı zımpara diskleri kullanır.

1. Zımpara tabanı (6) yukarı bakacak şekilde aleti bir masaya yatırın.
2. Zımpara kağıdını (7) zımpara tabanının üstüne doğrudan yerleştirin.
3. Zımpara tabanını bir elinizle tutun ve toz çıkartma deliklerini hizalayın.
4. Zımpara kağıdını zımpara tabanına sıkıca bastırın.

Elektronik hız kontrol kadranının ayarlanması (Şekil A)

Elektronik hız kontrol kadranı (2) kullanılarak hız 0–13,000 dev/dak/ya kademesiz olarak değiştirilebilir.

Elektronik hız kontrol kadranını gerekli seviyeye çevirin.

Fakat doğru ayar deneyimle elde edilir.

Genel olarak, daha sert malzemeler daha yüksek bir ayar gerektirir.

Toz atma (Şekil C)

UYARI: Ahşap zımparalama uygulamaları toz ürettiği için, her zaman toz emisyonlarıyla ilgili yönetmeliklere göre tasarlanmış olan bir toz torbası takın.



UYARI: Metal zımparalarken düzgün kıvılcım koruması olmadan toz torbası veya elektrik süpürgesi kullanmayın.

Zımparanızda toz emme yöntemleri vardır: aletle birlikte verilen toz torbası (3) veya bir elektrik süpürgesinin bağlanmasını sağlayan dahili bir toz atma çıkışı (5).

Toz torbasının takılması

1. Zımparayı elde tutarak toz torbası bileziğini (4) Şekil C'de gösterildiği gibi toz atma çıkışına (5) takın.

2. Toz torbasını (3) yerinde sabitlemek için bileziği (4) saatin ters yönünde çevirin.

Toz torbasının boşaltılması

NOT: Bu işlemi gerçekleştirirken onaylı bir göz koruması ve onaylı toz maskesi takın.

Etkili toz atma için, toz torbasını yaklaşık üçte biri dolduğunda boşaltın.

1. Zımparayı elde tutarak toz torbasını (3) yerinde gevşetmek için bileziği (4) saatin yönünde çevirin.
2. Toz torbasını zımparadan çıkarın ve boşaltmak için bir çöp kovası üzerinde hafifçe sallayın veya vurun.
3. Toz torbasını toz atma çıkışı üzerine tekrar takın ve bileziğini saatin yönünde çevirerek yerine kilitleyin.

KULLANIM

UYARI: Aletin kendi hızında çalışmasına izin verin. Aşırı yüklenmeyin.



UYARI: Güvenlik talimatlarına ve geçerli yönetmeliklere daima uyun.



UYARI: Ciddi yaralanma riskini azaltmak için herhangi bir ayar yapmadan ya da parça veya aksesuarları söküp takmadan önce aleti kapatın ve güç kaynağından ayırın.



UYARI:

- Zımparalanacak tüm malzemelerin yerlerine sıkıca sabitlendiklerinden emin olun.
- İş parçasına yalnızca hafif bir baskı uygulayın. Aşırı basınç, zımparalama etkisini iyileştirmez, ancak alette sadece artan bir yükü neden olur ve aşındırıcının yıpranmasına neden olur.
- Aşırı yüklenmeden kaçının.



UYARI: Magnezyum zımparalamayın.

İKAZ: Aleti, alet etrafına kablo sarak saklıyorsanız geniş bir ilmek bırakın, böylece kablo bükülmez.

Bu, kablonun erken bozulmasını önlemeye yardımcı olur.

Uygun el pozisyonu (Şekil D)

UYARI: Ciddi yaralanma riskini azaltmak için, DAİMA şekilde gösterilen uygun el pozisyonunu kullanın.



UYARI: Ciddi yaralanma riskini azaltmak için, ani tepki ihtimaline karşı aleti DAİMA sıkıca tutun.

Doğru el pozisyonu; şekilde gösterildiği gibi bir el zımpara gövdesinde (10) veya bir el ana tutma kısmında (11) olacak şekilde.

Açılması ve kapatılması (Şekil A)

Elektronik hız kontrol kadranını (2) kullanarak zımparalama hızını ayarlayın.

Aleti açmak için, açma/kapama düğmesini I konumuna getirin.

Aleti kapatmak için, açma/kapama düğmesini O konumuna getirin.

Zımparalama

En kaba taneli kağıt ile başlayın.

Alet her yönde küçük aşınma işaretleri ürettiği için, ahşabın dokusu ile uyumlu şekilde zımparalamak gerekli değildir.

İşinizi sık sık kontrol edin.

Çalışma bittiğinde ve prizden çıkarmadan önce her zaman aleti kapatın.

En uygun kullanım için yararlı tavsiyeler

- Alete çok fazla baskı uygulamayın.
- Zımpara kâğıdının durumunu düzenli olarak kontrol edin.
- Gerektiğinde zımpara kâğıdını değiştirin.
- Yeni boya katlarını başka bir kat vurmadan önce zımparalarken hassas zımpara kâğıdı kullanın.
- Çok bozuk yüzeylerde veya boya katlarını kazırken kaba zımpara kâğıdıyla başlayın. Diğer yüzeylerde orta kabalıkta kâğıtla başlayın. Her iki durumda da, pürüzsüz bir yüzey için dereceli olarak hassas zımpara kâğıdına geçin.
- Mevcut aksesuarlarla ilgili daha ayrıntılı bilgi için satış noktalarına danışın.

Diğer Tehlikeler

Aletin kullanımıyla ilgili ekte sunulan güvenlik uyarılarına dahil olmayan ilave kalıcı riskler ortaya çıkabilir. Bu riskler, hatalı, uzun süreli kullanım vb. dolayısıyla ortaya çıkabilir.

Emniyet tedbirlerini düzenleyen yönetmeliğin uygulanmasına ve emniyet sağlayıcı aygıtların kullanılmasına rağmen, başka belirli risklerden kaçınılmalıdır. Bunlar:

- Aletin dönen ve hareket eden parçalarını dokunma sonucu ortaya çıkan yaralanmalar.
- Herhangi bir parçayı, bıçak veya aksesuarı değiştirirken ortaya çıkan yaralanmalar.
- Aletin uzun süreli kullanılması sonucu ortaya çıkan yaralanmalar. Herhangi bir aleti uzun sürelerle kullanacaksanız düzenli olarak çalışmanıza ara verin.
- Duyma bozukluğu.
- Aleti kullanırken ortaya çıkan tozun solunması sonucu ortaya çıkan sağlık sorunları (örnek: ahsapta çalışırken, özellikle meşe, akgürgen ve MDF).

BAKIM

STANLEY elektrikli aletiniz minimum bakımla uzun bir süre çalışacak şekilde tasarlanmıştır. Kesintisiz olarak memnuniyet verici bir şekilde çalışması gerekli özenin gösterilmesine ve düzenli temizliğe bağlıdır.

- Aletinizdeki havalandırma deliklerini yumuşak bir fırça veya kuru bir bezle düzenli olarak temizleyin.

- Motor muhafazasını düzenli olarak nemli bir bezle silin. Aşındırıcı veya çözücü bazlı temizleyiciler kullanmayın. Bu aletin servisi kullanıcı tarafından yapılamaz. Bir sorun çıkarsa, yetkili servisimize temasa geçin.



Yağlama

Elektrikli aletiniz ek bir yağlama gerektirmemektedir.



Temizleme



UYARI: Havalandırma deliklerinde ve etrafında toz toplanması halinde bu tozu ve kuru kuru hava kullanılarak ana gövdeden uzaklaştırın. Bu işlemi gerçekleştirirken onaylı bir göz koruması ve onaylı toz maskesi takın.



UYARI: Aletin metalik olmayan parçalarını temizlemek için asla çözücü veya başka sert kimyasal kullanmayın. Bu kimyasallar bu parçalarda kullanılan malzemeleri gürsüzleştirir. Yalnızca su ve yumuşak sabunla nemlendirilmiş bir bez kullanın. Aletin içine sıvı kaçmasına kesinlikle izin vermeyin; aletin herhangi bir parçasını bir sıvı içine daldırmayın. Alet EMNİYET GÜVENLİĞİ ve GÜVENİLİRLİK için motor kömürünün kontrol edilmesi ve değiştirilmesi dahil olarak tamir, bakım ve ayarlamaların her zaman orijinal Stanley yedek parça kullanılarak, STANLEY yetkili servisler tarafından yapılması gerekmektedir.

İLAVE AKSESUARLAR



UYARI: STANLEY tarafından tedarik veya tavsiye edilenlerin dışındaki aksesuarlar bu ürün üzerinde test edilmediğinden, söz konusu aksesuarların bu aletle birlikte kullanılması tehlikeli olabilir. Yaralanma riskini azaltmak için bu ürünle birlikte sadece STANLEY tarafından tavsiye edilen aksesuarlar kullanılmalıdır.

Uygun aksesuarlarla ilgili daha ayrıntılı bilgi için bayiimize danışın.

ÇEVRENİN KORUNMASI



Ayrı olarak atın. Bu ürün, normal evsel atıklarla birlikte atılmamalıdır.

STANLEY ürününüzün değiştirilmesi gerektiğini düşünmeniz veya artık kullanılamaz durumda olması halinde onu, evsel atıklarla birlikte atmayın. Bu ürün, ayrı olarak toplanacak şekilde atın.



STANLEY, hizmet ömrünün sonuna ulaşan STANLEY ürünlerinin toplanması ve geri dönüşüme sokulması için bir imkân sunmaktadır. Bu hizmetin avantajlarından faydalanmak için, lütfen, ürününüzü bizim adımıza teslim alacak herhangi bir yetkili servise iade edin.

TÜRKÇE (Çevirisi orijinal talimatlardan yapılmıştır)

Bu kılavuzda belirtilen listeden size en yakın STANLEY yetkili tamir servisinin yerini öğrenebilirsiniz. Ya da, alternatif olarak internet'ten STANLEY yetkili tamir servislerinin listesini ve satış sonrası hizmetlerimizle ilgili tüm bilgileri ve temas bilgilerine aşağıdaki siteden ulaşabilirsiniz. www.2helpU.com

NOTLAR

STANLEY olarak, ürünlerimizi sürekli iyileştirme politikası uyguladığımızdan, önceden haber vermeden ürün özelliklerini değiştirme hakkını saklı tutarız. Standart ekipman ve aksesuarlar ülkeye göre değişebilir. Ürün özellikleri ülkelere göre farklı olabilir. Komple ürün çeşidi tüm ülkelerde geçerli olmayabilir. Ürün çeşidi durumu hakkında lütfen en yakın STANLEY yetkili servisiyle temas kurun

SERVİS BİLGİLERİ

STANLEY, kendisine ait ve yetkili servisler ile tam bir servis ağı sunmaktadır. Tüm STANLEY Servis Merkezleri müşterilere etkili ve güvenilir elektrikli el aleti hizmeti sunmak için eğitimli personel ile donatılmıştır. Yetkili servis merkezlerimiz hakkında daha fazla bilgi almak istiyorsanız veya teknik danışmanlık, onarım ya da orijinal fabrika yedek parçası ihtiyacınız varsa, size en yakın STANLEY satış noktasına başvurun.

TEKNİK ÖZELLİKLERİ

EKSANTRİK ZIMPARA		SS30
Voltaj	V_{AC}	220-240
Frekans	Hz	50-60
Giriş gücü	W	300
Yüksüz hızı	dev/dak	0-13000
Taban çapı	mm	125
Ağırlık	kg	1.4

EN 62841-1, EN 62841-2-4'e göre ses basıncı düzeyi:

Ses basıncı (L_{PA})	dB(A)	78.0
Ses basıncı belirsizliği (K_{PA})	dB(A)	3
Akustik güç (L_{WA})	dB(A)	89.0
Akustik güç belirsizliği (K_{WA})	dB(A)	3

Titreşim emisyon değeri ah:

(ah) =	m/s^2	6.2
Belirsizlik (K) =	m/s^2	1.5

TİTREŞİM VE SES

Teknik veriler ve uygunluk beyanatı içerisinde belirtilen titreşim ve ses emisyon değerleri EN 62841 tarafından belirlenen standart bir test yöntemine uygun olarak ölçülmektedir ve diğer bir aletle karşılaştırma yaparken kullanılabilir. Beyan edilen titreşim ve ses emisyon değeri aynı zamanda maruz kalmanın önceden değerlendirilmesinde de kullanılabilir.



UYARI! Elektrikli aletin mevcut kullanımı sırasındaki titreşim ve ses emisyon değeri, aletin kullanım yöntemine bağlı olarak, beyan edilen değere göre farklılık sergileyebilir. Titreşim ve ses düzeyi belirlenen seviyenin üzerinde artış gösterebilir.

İşyerinde düzenli olarak elektrikli alet kullanan çalışanları korumak amacıyla 2002/44/EC tarafından getirilen elektrik güvenliği önlemlerini belirlemek üzere titreşim ve sese maruz kalmayı değerlendiren, çalışma döngüsü içerisinde örneğin aletin kapalı olduğu ve aktif durumda olmasının yanı sıra boşta çalıştığı zamanlar gibi, bütün zaman dilimleri dahil olmak üzere mevcut kullanım durumu ve aletin kullanım şekli göz önünde bulundurularak değerlendirilmelidir.

AT Uygunluk Beyanatı MAKİNE DİREKTİFİ



SS30 - Eksantrik Zımpara

STANLEY, «teknik özellikleri» bölümünde açıklanan bu ürünlerin aşağıda belirtilen yönergelere uygun olduğunu beyan eder: 2006/42/EC, EN 62841-1: 2015, EN 62841-2-4: 2014.

Bu ürünler ayrıca 2014/30/EU ve 2011/65/EU Direktiflerine de uygundur.

Daha fazla bilgi için, lütfen aşağıdaki adresten STANLEY ile irtibata geçin veya kılavuzun arkasına bakın. Bu belge altında imzası bulunan yetkili, teknik dosyanın derlenmesinden sorumludur ve bu beyanı STANLEY adına vermiştir.

R.Laverick

Mühendislik Bölümü Müdürü
STANLEY Europe, Egide Walschaertsstraat 14-18,
2800 Mechelen, Belçika
06.2018

İKİ YILLIK GARANTİ

Sahip olduğunuz STANLEY ürünü satın alma tarihinden itibaren 24 ay içinde hatalı malzeme veya işçilik nedeniyle bozulursa, STANLEY aşağıdaki şartlara uyulması koşuluyla ücretsiz olarak tüm kusurlu parçaların yenilenmesini veya -kendi inisiyatifine bağlı olarak- satın alınan ürünün değiştirilmesini garanti eder:

- Ürün, hatalı kullanılmamış kullanım kılavuzuna uygun kullanılmıştır;
- Ürün yıpranmamış, hırpalanmamış ve aşınmamıştır;
- Yetkili olmayan kişilerce tamire çalışılmamıştır;
- Satın alma belgesi (fatura) ibraz edilmiştir;
- STANLEY ürünü, tüm orijinal parçaları ile birlikte iade edilmiştir;
- Ürün kiraya verilmemiştir.

Garanti talebinde bulunmak için, lütfen satıcıyla irtibata geçin veya STANLEY katalogunda belirtilen size en yakın STANLEY yetkili satıcı adresini kontrol edin veya ürünün kılavuzunda belirtilen adresteki yerel STANLEY yetkili tamir servisi ile temas kurun. İnternet'ten Stanley yetkili tamir servislerinin listesine ve satış sonrası hizmetlerimizle ilgili tüm bilgilerine aşağıdaki siteden ulaşabilirsiniz: www.2helpU.com

Sanayi ve Ticaret Bakanlığı tebliğince kullanım ömrü 7 yıldır.

Türkiye Distribütörü

**STANLEY BLACK&DECKER TURKEY ALET ÜRETİM
SAN. TIC. LTD.STI. AND Kozyatağı**

İçerenköy Mahallesi Umut Sokak

No:10-12 Kat :19 Ataşehir / İstanbul

Tel : (0216) 665 29 00

Faks : (0216) 665 29 01

E-posta: info-tr@sbdinc.com

ضمان لمدة سنتين

إذا تلف منتج STANLEY الخاص بك بسبب عيب في المواد أو جودة الصنع وذلك أثناء 24 شهر من تاريخ الشراء، فإن شركة STANLEY تضمن استبدال كل الأجزاء المعيبة دون مقابل أو - وفقاً لتقديرنا - استبدال الوحدة بدون مقابل بشرط أن:

- عدم إساءة استخدام المنتج واستخدامه وفقاً لتعليمات الدليل؛
- خضوع المنتج للاستهلاك العادل؛
- عدم قيام أفراد غير معتمدين بالتصليح؛
- تم إصدار دليل شراء؛
- تم إرجاع منتج STANLEY كاملاً مع كل المحتويات الأصلية؛
- لم يتم استخدام المنتج في أغراض التأجير.

إذا رغبت في عمل شكوى، اتصل ببائعك أو تحقق من مكان أقرب وكيل إصلاح STANLEY معتمد بالقرب منك

STANLEY معتمد بالقرب منك في دليل STANLEY أو اتصل بمكتب STANLEY المحلي لديك على العنوان المبين في هذا الدليل. تتوفر قائمة بوكلاء الصيانة المعتمدين التابعين لشركة STANLEY والتفاصيل الكاملة لخدمات ما بعد البيع على الإنترنت على

www.2helpU.com

حماية البيئة

الجمع المنفصل. يلزم عدم التخلص من هذا المنتج مع القمامة المنزلية العادية.



إذا لزم في يوم ما استبدال منتج STANLEY الخاص بك، أو إذا لم تعد تستخدمه، فلا تتخلص منه مع القمامة المنزلية الأخرى. اجعل هذا المنتج جاهزاً لعملية جمع المخلفات وفرزها.



توفر STANLEY التسهيلات لاستلام وإعادة تصنيع منتجات STANLEY عندما تصل إلى نهاية حياتها العملية. للاستفادة من هذه الخدمة، يُرجى إعادة منتجك لوكيل الصيانة المعتمد وسوف يستلمها بالنيابة عنك.

يمكنك التعرف على موقع أقرب وكيل صيانة معتمد عبر الاتصال بمكتب STANLEY المحلي لديك على العنوان الموضح في هذا الدليل. وبدلاً من ذلك، توجد قائمة بوكلاء الصيانة المعتمدين التابعين لشركة STANLEY والتفاصيل الكاملة لخدمات ما بعد البيع ووسائل الاتصال على الإنترنت على: www.2helpU.com.

ملاحظات

تعتمد سياسة شركة STANLEY على التحسين المستمر لمنتجاتنا، ومن ثم فإننا نحفظ بحق إجراء أي تعديلات على خصائص المنتج بدون إشعار مسبق. يمكن أن تتباين التجهيزات والملحقات القياسية من بلد لآخر. ويمكن أن تتباين مواصفات المنتج من بلد لآخر. يمكن ألا تتوفر المجموعة الكاملة للمنتج في كل البلدان. اتصل بوكيل STANLEY المحلي لديك للتحقق من نطاق التوفر.

معلومات الخدمة

توفر شركة STANLEY شبكة كاملة من مراكز الصيانة المملوكة للشركة وكذلك المعتمدة. لدى كل مراكز صيانة STANLEY فرق عمل مدربة لإمداد العملاء بخدمة فعالة ومعتمدة للأدوات الكهربائية. للحصول على مزيد من المعلومات حول مراكز الخدمة المعتمدة وإذا كنت بحاجة إلى المشورة الفنية أو الإصلاح أو قطع غيار أصلية من المصنع فاتصل بأقرب وكيل STANLEY لديك.

البيانات الفنية

SS30	آلة صنفرة مدارية عشوائية	
220-240	فولت	الجهد الكهربائي
	تيار متردد	
50-60	هرتز	التردد
300	وات	دخل الطاقة
0-13000	دقيقة ⁻¹	مدارات (لا حمل)
125	ملم	قطر الوسادة
1.4	كجم	الوزن

الوضع الصحيح لليدين (الشكل D)

- تضرر السمع.
- المخاطر الصحية الناتجة عن استنشاق الغبار المتكون عند استخدام جهازك (على سبيل المثال: التعامل مع الأخشاب، ولا سيما البلوط والزان والخشب المضغوط MDF).

الصيانة

تم تصميم الأداة الكهربائية من STANLEY لكي تعمر لفترة طويلة بأقل قدر من الحاجة للصيانة. ويعتمد استمرار الآلة في أداء عملها على النحو المرضي على العناية المناسبة والتنظيف المنتظم.

- استخدم فرشاة ناعمة أو قطعة قماش جافة لتنظيف فتحة تهوية الأداة بانتظام.
- نظف مبيت المحرك بانتظام باستخدام قطعة قماش مبللة. لا تستخدم أي منظف ذو أساس كاشط أو مذيب. هذه الآلة لا تُجرى صيانتها من قبل المستخدم. فإذا حدثت أي مشكلات، يجب الاتصال بوكيل إصلاح معتمد.

التشحيم



لا تحتاج الأداة الكهربائية إلى تشحيم إضافي.

التنظيف



تحذير: تخلص من الأوساخ والأتربة المتراكمة بالعلبة الرئيسية عن طريق استخدام الهواء الجاف كلما رأيت التراب قد تجمع في فتحات التهوية وحولها. أثناء القيام بهذا الإجراء، ارتدِ واقٍ للعين معتمد مع قناع معتمد للوقاية من التراب.

تحذير: لا تستخدم مطلقاً المذيبات أو المواد الكيماوية القوية الأخرى لتنظيف الأجزاء غير المعدنية في الأداة. يمكن أن تتسبب تلك المواد الكيميائية في إضعاف المواد المستخدمة في هذه الأجزاء. استخدم قطعة قماش رطبة مع ماء وصابون خفيف. لا تترك أي سوائل تتسرب إلى داخل الأداة؛ ولا تغمر أي جزء من أجزاء الأداة في السائل. للمحافظة على سلامة المنتجات وموثوقيتها في العمل، يجب إجراء جميع عمليات الإصلاح وفحص فرشاة الكربون والاستبدال وأي عمليات صيانة أو تعديل بواسطة مراكز خدمة STANLEY، وباستخدام قطع الغيار المعتمدة من STANLEY فقط.

ملحقات اختيارية

تحذير: بما أن أي ملحقات أخرى غير تلك المقدمة من قبل STANLEY لم تُختبر مع هذا المنتج، فإن استخدامها قد يكون خطراً للغاية. وللحد من خطر الإصابة، يجب استخدام الملحقات الموصى بها من قبل STANLEY فقط مع هذا المنتج.

راجع بائع التجزئة لديك لمزيد من المعلومات عن الملحقات المناسبة.

تحذير: لتقليل مخاطر الإصابة الشخصية، استخدم دائماً الوضع الصحيح لليدين كما هو موضح.



تحذير: لتقليل مخاطر الإصابة الجسدية، احرص دائماً على الوقوف بأمان تحسباً لأي ارتداد مفاجئ.



يتطلب الوضع الصحيح لليدين وضع إحدى اليدين على جسم أداة الصنفرة (10) واليد الأخرى على المقبض الرئيسي (11) كما هو موضح.

التشغيل والإيقاف (الشكل A)

اضبط سرعة الصنفرة باستخدام قرص التحكم في السرعة الإلكتروني (2).

لتشغيل الأداة، اضغط مفتاح التشغيل/الإيقاف على الوضع I. ولإيقاف تشغيل الأداة، اضغط مفتاح التشغيل/الإيقاف على الوضع O.

الصنفرة

ابدأ العمل بحجم حبيبات خشنة.

وبما أن الأداة تنتج خدوشاً في جميع الاتجاهات، فلا يلزم إجراء الصنفرة على طول الحبيبات.

عليك التحقق من عمكك خلال فترات زمنية قصيرة.

وأوقف تشغيل الأداة دائماً عند انتهاء العمل وقبل فصل القابس.

تلميحات لاستخدام أمثل

- لا تبالغ كثيراً في الضغط على الأداة.
- تحقق من حالة فرخ الصنفرة بانتظام.
- استبدل ورق الصنفرة عند اللزوم.
- عند صنفرة طبقات طلاء جديدة، استخدم صنفرة رملية ناعمة إضافية قبل وضع طبقة أخرى.
- ابدأ بصنفرة ذات حبيبات خشنة على الأسطح غير المستوية تماماً، أو عند إزالة طبقات من الطلاء. على الأسطح الأخرى، ابدأ بصنفرة ذات حبيبات متوسطة. في كلتا الحالتين، انتقل تدريجياً إلى الصنفرة ذات الحبيبات الناعمة للحصول على ملمس نهائي أملس.
- استشر بائع التجزئة لديك لمزيد من المعلومات حول الملحقات المتاحة.

المخاطر المتبقية

عند استخدام الجهاز يمكن أن تظهر مخاطر متبقية إضافية قد لا تكون مدرجة في تحذيرات السلامة المرفقة. يمكن أن تنشأ تلك المخاطر من الاستخدام السيء أو المطول للخ.

لا يمكن تجنب بعض المخاطر المتبقية حتى مع تطبيق تعليمات السلامة المناسبة واستخدام أجهزة الأمان. وتشمل:

- إصابات تنشأ جراء ملامسة أي أجزاء دوارة/متحركة.
- إصابات تنشأ عند تغيير أي أجزاء أو شفرات أو ملحقات.
- إصابات تنشأ جراء طول فترة استعمال الأداة، تحقق من توفير فترات راحة منتظمة عند استعمال الأداة لفترات طويلة.

تحذير: لا تستخدم حقيقة غبار أو مكنسة كهربائية بدون استعمال الأداة المناسبة للوقاية من الشرر عند صنفرة الأسطح المعدنية.



تتوفر عدة أساليب لاستخراج الأتربة والغبار من أداة الصنفرة: مخرج مدمج (5) يتيح توصيل حقيبة الغبار (3) المرفقة مع الأداة أو مكنسة كهربائية تجارية.

تركيب حقيبة الغبار

1. أثناء مسك أداة الصنفرة، ركب طوق حقيبة الغبار (4) بالمخرج (5) كما هو موضح في الشكل C.
2. أدر الطوق (4) عكس عقارب الساعة لإحكام ربط حقيبة الغبار (3) في مكانها الصحيح.

تفريغ حقيبة الغبار

ملاحظة: أثناء القيام بهذا الإجراء، احرص على ارتداء واقي العين معتمدًا مع قناع معتمد للوقاية من التراب.

لاستخراج الغبار بطريقة فعالة، يجب تفريغ أداة جمع الغبار عند امتلائها حتى الثلث تقريبًا.

1. أثناء مسك أداة الصنفرة، أدر الطوق (4) في اتجاه عقارب الساعة لفتح حقيبة الغبار (3).
2. أخرج حقيبة الغبار من أداة الصنفرة وهز حقيبة الغبار برفق أو اضرب عليها ضربًا خفيفًا لإفراغها من الغبار.
3. بعد ذلك أعد تركيب حقيبة الغبار بالمخرج وأحكام ربطها في مكانها عن طريق لف طوق حقيبة الغبار في اتجاه عقارب الساعة.

الاستخدام

تحذير: اترك الآلة تعمل بوتيرتها المعتادة. لا تفرط في الأحمال.



تحذير: احرص دائمًا على مراعاة تعليمات السلامة والقيود السارية.



تحذير: للحد من مخاطر الإصابة الجسدية الخطيرة، أوقف تشغيل الأداة وافصل الأداة من مصدر الطاقة قبل إجراء أي تعديلات أو إزالة/تركيب الملحقات أو الكماليات.



تحذير



- تأكد من أن كل المواد المراد جليها مؤمنة في موضعها.
- ولا تضغط على قطعة العمل إلا ضغطًا خفيفًا. فالضغط الشديد لا يحسن أداء الصنفرة، ولكنه يزيد الحمل على الأداة ويتسبب في تلف المادة الكاشطة.

تجنب فرط التحميل.

تحذير: لا تصنفر المغنيسيوم!



ملاحظة: إذا لففت السلك حول الأداة عند تخزينها، فاترك مسافة واسعة حول السلك حتى ينثني واقي السلك.

فمن شأن ذلك أن يساعد على منع تلف السلك قبل أوانه.

تحذير: يحظر تعديل الأداة الكهربائية أو أي جزء منها. فقد تتعرض الأداة للتلف أو تتسبب في وقوع إصابة جسدية.



1. مفتاح التشغيل/الإيقاف
2. قرص التحكم في السرعة الإلكتروني
3. حقيبة الغبار
4. طوق حقيبة الغبار
5. مخرج تجميع الغبار
6. بطاقة الصنفرة
7. شريط الصنفرة

التجميع والضبط

تحذير: للحد من مخاطر الإصابة الجسدية الخطيرة، أوقف تشغيل الأداة وافصل الأداة من مصدر الطاقة قبل إجراء أي تعديلات أو إزالة/تركيب الملحقات أو الكماليات. قبل إعادة توصيل الأداة، اضغط وحرر مفتاح التشغيل للتأكد من أن الأداة متوقفة بالفعل. حيث إن بدء التشغيل العرضي قد يؤدي إلى حدوث إصابة.



تركيب شريط الصنفرة (الشكل A, B)

تحذير: لا تستخدم الأداة مطلقًا بدون تركيب شريط الصنفرة أو الملحقات في مكانهما. تستخدم هذه الأداة ورق صنفرة لاصقًا بطول 125 ملم (5 بوصات) ويتميز الورق بنمط من 8 فتحات للتخلص من التراب.



1. ضع الأداة على الطاولة، بحيث يكون وجه وسادة (6) الصنفرة للأعلى.
2. ضع ورق الصنفرة (7) فوق وسادة الصنفرة مباشرة.
3. أمسك وسادة الصنفرة بإحدى يديك واضبطها مع فتحات استخراج الأتربة.
4. اضغط ورق الصنفرة بقوة على وسادة الصنفرة.

ضبط قرص التحكم في السرعة الإلكتروني (الشكل A)

يمكن ضبط السرعة بدون حد من 0 إلى 13000 دقيقة⁻¹ باستخدام قرص التحكم في السرعة الإلكتروني (2).

يمكنك ضبط قرص التحكم في السرعة الإلكتروني على المستوى المطلوب. وستتمكن من الوصول إلى الإعداد المناسب مع زيادة خبرتك في استعمال الأداة.

لكن بصفة عامة تتطلب المواد القاسية إعدادًا أكثر سرعة.

استخراج الغبار (الشكل C)

تحذير: بما أن استعمال أداة الصنفرة مع القطع الخشبية ينتج عنه غبارًا، يجب دائمًا تركيب حقيبة الغبار المصممة بما يتوافق مع التوجيهات المعمول بها فيما يخص انبعاثات الغبار.



الملصقات الموجودة على الأداة

يمكن أن يحتوي الملصق الموجود على الأداة على الرموز التالية:

يُجب قراءة دليل التعليمات قبل الاستخدام. تحذير! لتقليل خطر الإصابة، يجب على المستخدم قراءة دليل التعليمات قبل الاستخدام		
نظارات حماية أو أمان.		
واقى الأذن.		
ارتدِ قناع غبار.		
V فولت	==	تيار مباشر
A أمبير	n ₀	سرعة بدون تحميل
Hz هرتز		تصميم من الفئة الثانية
W وات		طرف أرضي
min دقائق		رمز تبيه الأمان
~ تيار متردد	/min.	عدد الدورات أو الترددات في الدقيقة

موضع رمز التاريخ

يوجد كود التاريخ، والذي يحتوي على سنة الصنع، مطبوعاً على العلبة.

مثال:

XX JN 2017

سنة الصنع

تحتوي العبوة على

1 آلة صنفرة مدارية عشوائية

1 شريط صنفرة

1 حقيبة غبار

1 دليل تعليمات

1 بطاقة الضمان

1 قائمة مراكز الخدمة

تحقق من أي تلف قد يحدث في الأداة أو أجزائها أو الملحقات أثناء النقل.

استغرق الوقت الكافي لقراءة وفهم هذا الدليل بالكامل قبل الاستخدام.

LEY، أو أي فني مؤهل على نفس المستوى لتجنب أي تلف أو إصابة. في حالة استبدال سلك الطاقة بواسطة فني مؤهل على نفس المستوى، ولكنه غير معتمد لدى شركة STANLEY، فسوف تسقط صلاحية الضمان.

استخدام سلك إطالة

إذا احتجت إلى سلك تمديد، فاستخدم سلك تمديد ثلاثي القلوب معتمدًا يتناسب مع دخل الطاقة لهذه الأداة (راجع البيانات الفنية). الحد الأدنى لحجم الموصل 1.5 ملم مربع؛ والحد الأقصى للطول 30 م. عند استخدام بكرة كابل، يجب دائماً بسط الكابل بالكامل. مساحة المقطع العرضي للكابل (ملم²) التيار المقنن للكابل (أمبير) مساحة المقطع العرضي للكابل (ملم²) التيار المقنن للكابل (أمبير)

مساحة المقطع العرضي للكابل (ملم ²) التيار المقنن للكابل (أمبير)	مساحة المقطع العرضي للكابل (ملم ²) التيار المقنن للكابل (أمبير)
6	0.75
10	1.00
15	1.50
20	2.50
25	4.00

طول الكابل (م)

60	45	30	25	15	7.5
----	----	----	----	----	-----

تيار الكابل المقنن (بالأمبير)						أمبير	الجهد الكهربائي
10	6	6	6	6	6	0 - 2.0	110-127
15	15	6	6	6	6	2.1 - 3.4	
20	20	15	10	6	6	3.5 - 5.0	
25	20	20	15	10	10	5.1 - 7.0	
-	25	25	20	15	15	7.1 - 12.0	
-	-	-	25	20	20	12.1 - 20.0	
6	6	6	6	6	6	0 - 2.0	220-240
6	6	6	6	6	6	2.1 - 3.4	
15	10	6	6	6	6	3.5 - 5.0	
15	15	10	10	10	10	5.1 - 7.0	
20	20	15	15	15	15	7.1 - 12.0	
-	25	20	20	20	20	12.1 - 20.0	

قواعد سلامة إضافية خاصة

تعليمات السلامة الخاصة بآلات الصنفرة

- احرص على حمل الأدوات الكهربائية باستخدام أسطح الإمساك المعزولة، فقد يلامس سطح الصنفرة سلك الأداة. يمكن أن يتسبب قطع سلك "حي" في جعل الأجزاء المعدنية المكشوفة للأداة "طرفًا حيا" مما يمكن أن يُعرض المشغل لصدمة كهربائية.
- تحذير! قد تؤدي ملامسة أو استنشاق الغبار الناتج عن استعمالات الصنفرة إلى الإضرار بصحة المُشغَّل، وربما تؤثر على المارة أيضًا. ارتدِ قناع الغبار المُصمَّم خصيصًا للوقاية من الغبار والأدخنة، واحرص على تأمين الأشخاص المتواجدين بمنطقة العمل أو الداخلين إليها كذلك.
- تخلص من الغبار بدقة عقب الانتهاء من الصنفرة.
- انتبه جيدًا؛ ولا سيما عند صنفرة طبقات الطلاء التي يُحتمل أن تكون مصنوعة من الرصاص أو عند صنفرة بعض الأخشاب والمعادن التي قد تُنتج غبارًا سامًا:
 - لا تسمح للأطفال أو النساء الحوامل بدخول منطقة العمل.
 - يُحظر عليك الأكل أو الشرب أو التدخين داخل منطقة العمل.
 - تخلص بصورة آمنة من جزيئات الغبار وغيرها من جزيئات الحطام الأخرى.

تعليمات السلامة لكل العمليات

تحذير: نحن ننصح باستخدام أداة تعمل بالتيار المتبقي مع معدل التيار المتبقي لـ 30 ملي أمبير أو أقل.



سلامة الآخرين

- هذا الجهاز غير مصمم ليستخدمه الأشخاص ذوو القدرات الجسدية والحسية والعقلية المتدنية أو من نقصهم الخبرة والمعرفة (هما في ذلك الأطفال) إلا في ظل الإشراف عليهم أو إعطائهم التعليمات المتعلقة باستخدام الجهاز من قبل الشخص المسؤول عن سلامتهم.
- ينبغي مراقبة الأطفال لضمان عدم عبثهم بالجهاز.

المخاطر المتبقية

- على الرغم من سريان تعليمات السلامة وتطبيق تجهيزات السلامة فهناك بعض المخاطر الأخرى التي لا يمكن تجنب وقوعها. وهي:
- تضرر السمع
 - خطر التعرض لإصابات جسدية جراء الجزيئات المتطايرة.
 - خطر التعرض لحروق جراء الملاحقات التي تسخن أثناء التشغيل.
 - خطر التعرض لإصابات جسدية جراء الاستخدام لفترات طويلة.
 - خطر التعرض لغبار المواد الخطرة.

السلامة من مخاطر الكهرباء

هذه الأداة مزدوجة العزل؛ وبالتالي لا حاجة إلى توصيل سلك أرضي. وينبغي التأكد دائمًا من توافق جهد مصدر التيار الكهربائي مع الجهد الموضح على لوحة التقنين.



تحذير! في حالة تلف سلك الطاقة، يجب استبداله من قبل مُصنِّع الجهاز، أو مركز خدمة معتمد لدى شركة STAN-



- إذا كانت الأجهزة معدة للتوصيل بوسائل إزالة أو تجميع الأتربة، فتأكد من توصيلها واستخدامها بشكل مناسب. استخدام هذه الأجهزة يمكن أن يقلل من المخاطر المتعلقة بالغبار.
- لا تسمح لاعتيادك على استخدام الأدوات بشكل متكرر أن يبعث داخلك اطمئنانًا قد يدفعك إلى تجاهل مبادئ سلامة الخاصة بالأداة. فأني تصرف طائش يمكن أن يتسبب في وقوع إصابات خطيرة في لمح البصر.
- استخدام الأداة الكهربائية والعناية بها
 - لا تضغط على الأداة الكهربائية. استخدم الأداة الكهربائية المناسبة لاستعمالك. حيث أن الأداة الكهربائية المناسبة سوف تقوم بأداء العمل بشكل أفضل وأكثر أمانًا وفقًا للمعدل التي صُممت لأجله.
 - لا تستخدم الأداة الكهربائية إذا لم يَقم المفتاح بالتشغيل والإيقاف. أية أداة كهربائية لا يمكن التحكم فيها باستخدام المفتاح تصبح خطيرة ويجب إصلاحها.
 - افصل القابس عن مصدر الكهرباء و/أو أخرج حزمة البطارية، إن كانت قابلة للإزالة، من الأداة الكهربائية قبل إجراء أي تعديلات أو تغيير أي ملحقات أو تخزين الأدوات الكهربائية. تعمل إجراءات السلامة الوقائية هذه على الحد من خطر بدء تشغيل الأداة الكهربائية بدون قصد.
 - خزن الأدوات الكهربائية غير المستخدمة بعيدًا عن متناول الأطفال ولا تسمح للأشخاص الغير معتمدين على الأداة الكهربائية أو هذه التعليمات بتشغيل الأداة الكهربائية. تمثل الأدوات الكهربائية خطرًا في أيدي المستخدمين غير المتدربين.
 - هـ. صيانة الأدوات الكهربائية والملحقات. تحقق من وجود أي محاذرة خاطئة أو عائق في الأجزاء المتحركة، أو كسر في الأجزاء، وأية حالة أخرى يمكن أن تؤثر على تشغيل الأدوات الكهربائية. في حالة تلفها، يتم إصلاح الأداة الكهربائية قبل استخدامها. تقع العديد من الحوادث جراء صيانة الأدوات الكهربائية بشكل سيء.
 - ف. احرص على أن تظل أدوات القطع حادة ونظيفة. تعمل الصيانة المناسبة لأدوات القطع ذات الحواف الحادة على تقليل احتمالية أن تتلم ويمكن التحكم فيها بشكل أسهل.
 - g. استخدم الأداة الكهربائية والكماليات ولقم الأداة وما إلى ذلك بما يتوافق مع هذه التعليمات، مع الوضع في الاعتبار ظروف العمل والعمل الذي يتعين القيام به. استخدم الأداة الكهربائية لتنفيذ العمليات في الأغراض غير المخصصة يمكن أن يتسبب في التعرض لمواقف خطيرة.
 - h. حافظ على جفاف المقابض والأسطح القابضة ونظافتها وخلوها من الزيت والشحم. فالمقابض والأسطح القابضة المنزلقة لا تسمح بالتعامل مع الأداة والتحكم فيها بأمان في المواقف غير المتوقعة.
 5. الخدمة
 - a. احرص على أن يقوم فني متخصص بإصلاح الأداة الكهربائية الخاصة بك وباستخدام قطع الغيار المتطابقة فقط. وذلك يضمن سلامة صيانة الأداة الكهربائية.

الغرض من الاستخدام

صُممت آلة الصنفرة المدارية العشوائية SS30 من STANLEY بغرض صنفرة الخشب والمعدن والبلاستيك والأسطح المطلية. هذا الجهاز مُعد للاستخدام المحترف..

تعليمات السلامة

التعريفات الموضحة أدناه تبين مستوى القسوة لكل إشارة مكتوبة. يرجى قراءة الدليل مع مراعاة هذه الرموز.

خطر: يشير إلى موقف خطر وشيك سوف تنتج عنه الوفاة أو إصابات خطيرة في حال عدم تجنبه.

تحذير: يشير إلى موقف خطر محتمل من الممكن أن تنتج عنه الوفاة أو إصابات خطيرة في حال عدم تجنبه.

تحذير: يشير إلى موقف خطر محتمل ربما تنتج عنه الوفاة أو إصابات خطيرة في حال عدم تجنبه.

ملاحظة: يشير إلى ممارسة لا تنطوي على إلحاق إصابات جسدية للمشغل، ولكن يمكن أن ينتج عنه تلف الممتلكات إن لم يتم تجنبه.

يشير إلى خطر التعرض لصدمة كهربائية.

يشير إلى خطر نشوب حريق.

تحذير: لتجنب خطر التعرض للإصابات، تجب قراءة دليل التعليمات.

تحذيرات عامة متعلقة بسلامة أداة الطاقة الكهربائية

تحذير! احرص على قراءة كل تحذيرات السلامة والتعليمات والرسوم التوضيحية ذات الصلة والمواصفات المرفقة مع ة.

احتفظ بكل التحذيرات والتعليمات كمرجع مستقبلي

مصطلح «الأداة الكهربائية» الوارد في كل التحذيرات المدرجة أدناه يشير إلى الأداة الكهربائية المشغلة بواسطة التيار الكهربائي (بكابيل) أو المشغلة بطارية (بدون كابيل).

1. سلامة منطقة العمل

a. حافظ على منطقة العمل نظيفة ومضاءة جيداً. فالمناطق غير المرئية أو المظلمة عرضة لوقوع حوادث.

b. لا تشغل الأدوات الكهربائية في أجواء قابلة للانفجار، مثل وجود سوائل أو غازات أو غبار قابلة للاشتعال. تطلق الأدوات الكهربائية شرراً يمكن أن يشعل الغبار أو الأذخنة.

c. احرص على إبعاد الأطفال والمتواجدين في منطقة العمل عند تشغيل الأداة الكهربائية. مصادر صرف الانتباه يمكن أن تجعلك تفقد القدرة على التحكم.

2. السلامة من مخاطر الكهرباء

a. يلزم توافق قوايس الأداة الكهربائية مع مقبس التيار الكهربائي. يُحظر تعديل القابيس بأي طريقة. لا تستخدم قوايس مهايئ مع الأدوات الكهربائية المتصلة بالأرضي (مؤرضة). عدم تعديل القابيس واستخدام مخارج تيار مناسبة يحد من مخاطر الصدمات الكهربائية.

b. تجنب ملامسة الجسم مع أسطح مؤرضة أو أرضية، مثل المواسير والمدافئ والأفران والمبردات. يزداد خطر التعرض لصدمة كهربائية إذا كان جسمك في وضع تأريض أو أرضي.

c. لا تعرض الأدوات الكهربائية للمطر أو لظروف رطبة. سوف يؤدي تسرب الماء إلى داخل الأداة الكهربائية إلى زيادة مخاطر التعرض للصدمة الكهربائية.

d. لا تسمى استخدام السلك. لا تستخدم السلك مطلقاً في حمل أو سحب الأداة الكهربائية أو فصلها من المقبس. ابق السلك بعيداً عن الحرارة والزيت والحواف الحادة والأجزاء المتحركة. تزيد الأسلاك النالفة أو المتشابكة من مخاطر التعرض للصدمة الكهربائية.

e. عند تشغيل الأداة الكهربائية في الخارج، استخدم سلك إطالة مناسباً للاستخدام الخارجي. استخدام سلك مناسب لأغراض الاستخدام الخارجي يقلل من مخاطر التعرض للصدمة الكهربائية.

f. إذا لم يكن هناك مفر من تشغيل الأداة الكهربائية في منطقة رطبة، فاستخدم شبكة تغذية محمية بقاطع تفاضلي (RCD). استخدام قاطع الدائرة يقلل من مخاطر التعرض للصدمة الكهربائية.

3. السلامة الشخصية

a. كن متيقظاً، وراقب ما تفعل واستخدم حسك العام عند تشغيل الأداة الكهربائية. لا تستخدم الأداة الكهربائية عندما تكون مجهداً أو تحت تأثير المخدرات أو الكحوليات أو الأدوية. في حالة عدم الانتباه عند تشغيل الأداة الكهربائية يمكن أن تتسبب في وقوع إصابات شخصية بالغة.

b. استخدم معدات الحماية الشخصية. احرص دائماً على ارتداء واقي العينين. سوف تعمل معدات الحماية، مثل قناع الغبار وأحذية السلامة المقاومة للانزلاق والخوذة الصلبة وواقي الأذن المستخدمة في ظروف مناسبة على تقليل معدل الإصابات الشخصية.

c. تجنب بدء العمل بدون قصد. تحقق من أن المفتاح في وضع الإيقاف قبل التوصيل بمصدر الكهرباء و/أو علبه البطارية أو قبل التقاط أو حمل الأداة. إن حمل الأدوات الكهربائية وإصبعك على مفتاح التشغيل أو بينما توجد الأدوات في وضع التشغيل من شأنه أن يستدعي وقوع حوادث.

d. تخلص من أية مفاتيح ضبط أو ربط قبل تشغيل الأداة الكهربائية. يمكن أن يتسبب أي مفتاح ربط أو ضبط موصل بالجزء الدوار من الأداة الكهربائية في وقوع إصابات شخصية.

e. تجنب المبالغة. ضع قدميك في وضع مناسب واحتفظ باتزانك في كل الأوقات. حيث يتيح ذلك إمكانية تحكم أفضل في الأداة الكهربائية في المواقف غير المتوقعة.

f. ارتد زياً مناسباً. لا ترتد الملابس الفضفاضة أو الحلي. احرص على إبعاد شعرك وملابسك عن الأجزاء المتحركة. فقد تعلق الملابس الفضفاضة أو الحلي أو الشعر الطويل في الأجزاء المتحركة.

