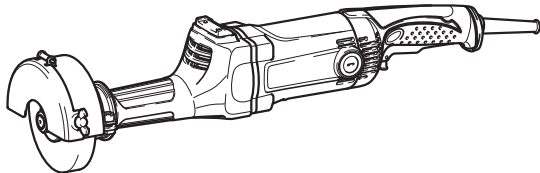




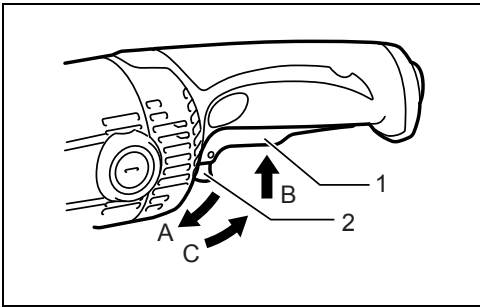
GB	Straight Grinder	Instruction manual
F	Meuleuse Droite	Manuel d'instructions
D	Geradschleifer	Betriebsanleitung
I	Smerigliatrice dritta	Istruzioni per l'uso
NL	Rechte slijpmachine	Gebruiksaanwijzing
E	Esmeril recto	Manual de instrucciones
P	Esmeril Reto	Manual de instruções
DK	Ligesliber	Brugsanvisning
GR	Ευθυλειαντήρας	Οδηγίες χρήσης
TR	Düz Taşlama	Kullanım kılavuzu

GS5000
GS6000



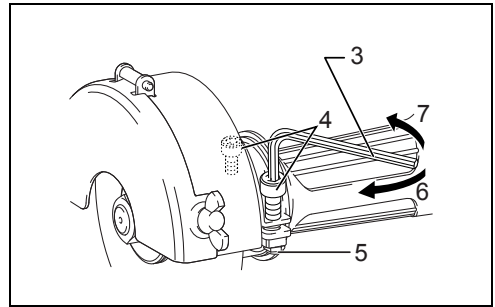
013595





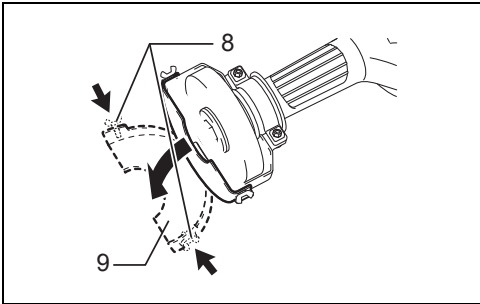
1

010640



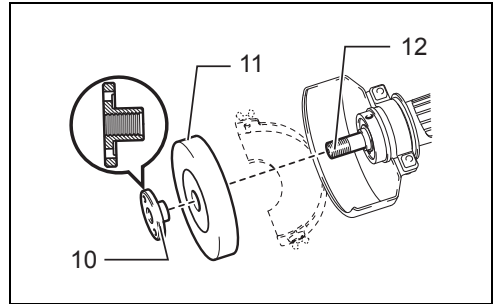
2

013669



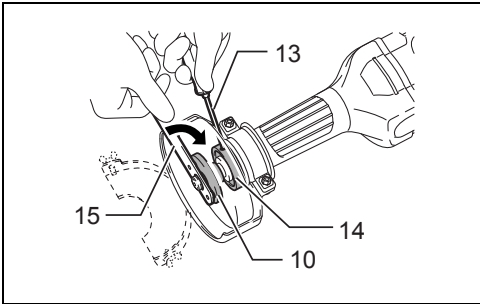
3

013624



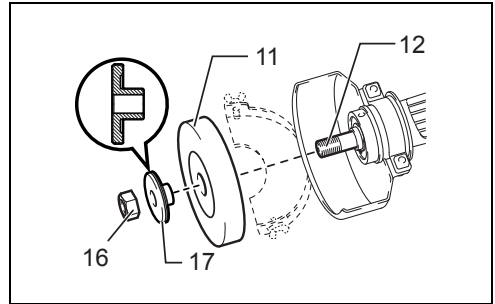
4

013674



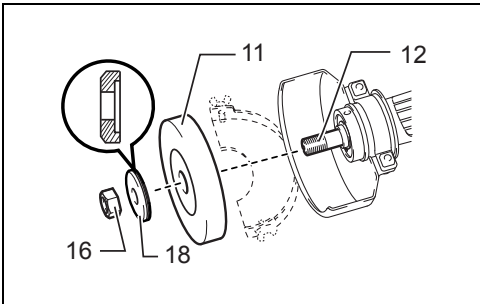
5

013673



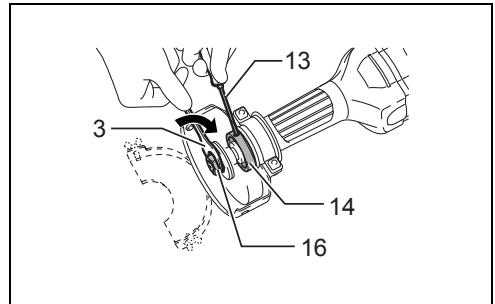
6

013671



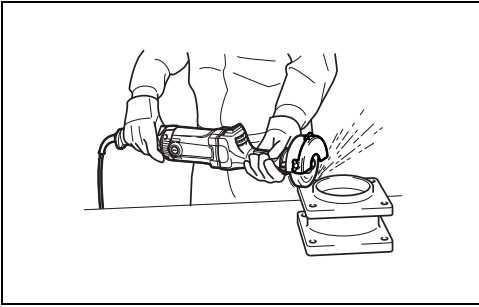
7

013672



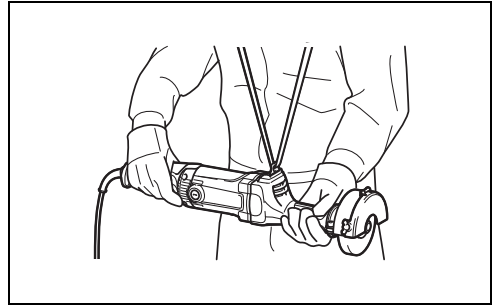
8

013670



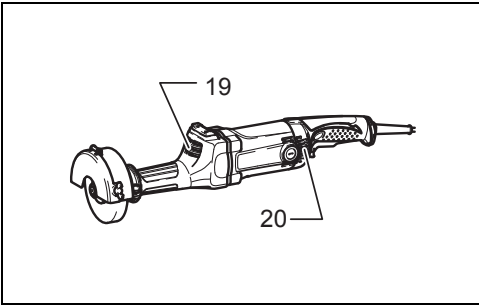
9

013600



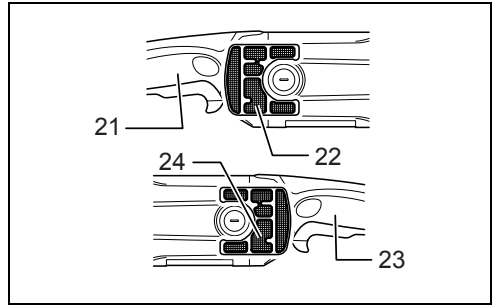
10

013599



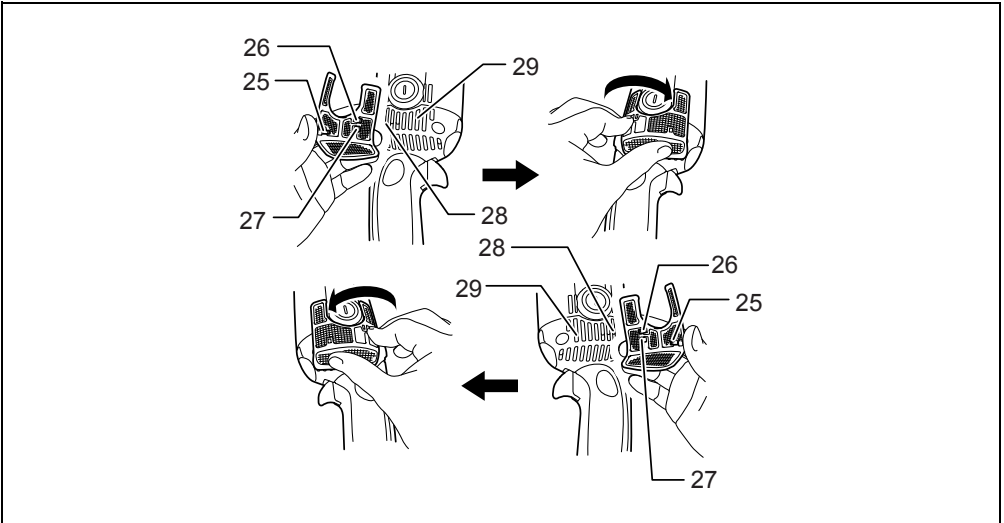
11

013614



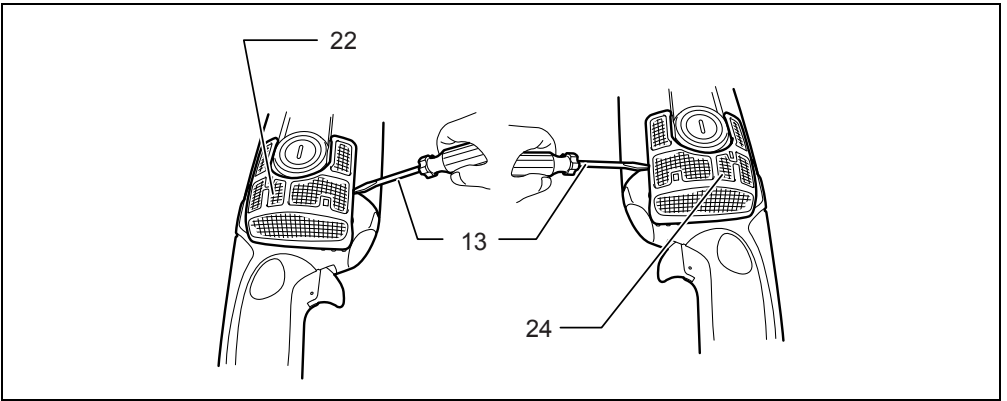
12

013619



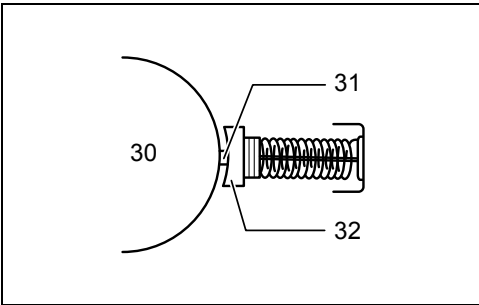
13

013620



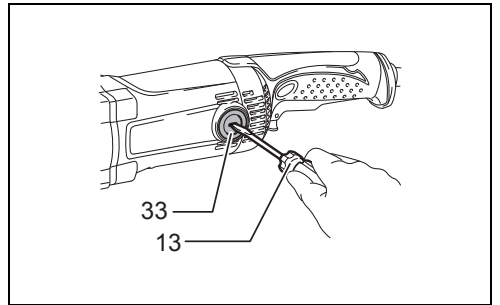
14

013743



15

001146



16

013603

ENGLISH (Original instructions)

Explanation of general view

1. Switch trigger	12. Spindle	23. Handle L
2. Lock lever	13. Screwdriver	24. Dust cover attachment L
3. Hex wrench	14. Inner flange	25. Hook B
4. Hex bolt	15. Lock nut wrench	26. Hook A
5. Hex lock nut	16. Hex nut	27. Rib A
6. Tighten	17. Outer flange (convex type)	28. Vent A
7. Loosen	18. Outer flange (flat type)	29. Vent B
8. Wing bolt	19. Exhaust vent	30. Commutator
9. Support cover	20. Inhalation vent	31. Insulating tip
10. Lock nut	21. Handle R	32. Carbon brush
11. Grinding wheel	22. Dust cover attachment R	33. Brush holder cap

SPECIFICATIONS

Model		GS5000	GS6000
Maximum wheel capacity (diameter × thickness)		125 mm × 20 mm	150 mm × 20 mm
Spindle thread		M14 or 1/2" (country specific)	
No load speed (min ⁻¹)		5,600	
Overall length	With support cover	590 mm	590 mm
	Without support cover	588 mm	588 mm
Net weight	With support cover	5.0 kg	5.2 kg
	Without support cover	4.9 kg	5.0 kg
Safety class		□/II	

- Due to our continuing program of research and development, the specifications herein are subject to change without notice.
- Specifications may differ from country to country.
- Weight according to EPTA-Procedure 01/2003

Symbols

END202-8

The following show the symbols used for the equipment.
Be sure that you understand their meaning before use.



..... Read instruction manual.



..... DOUBLE INSULATION



..... Wear safety glasses.



..... Only for EU countries
Do not dispose of electric equipment together with household waste material!
In observance of the European Directive, on Waste Electric and Electronic Equipment and its implementation in accordance with national law, electric equipment that have reached the end of their life must be collected separately and returned to an environmentally compatible recycling facility.

Intended use

ENE050-1

The tool is intended for grinding ferrous materials or deburring castings.

Power supply

ENF002-2

The tool should be connected only to a power supply of the same voltage as indicated on the nameplate, and can only be operated on single-phase AC supply. They are double-insulated and can, therefore, also be used from sockets without earth wire.

General Power Tool Safety Warnings

GEA010-1

⚠ WARNING Read all safety warnings and all instructions. Failure to follow the warnings and instructions may result in electric shock, fire and/or serious injury.

Save all warnings and instructions for future reference.

STRAIGHT GRINDER SAFETY WARNINGS

GEB108-4

Safety Warnings Common for Grinding Operation:

1. **This power tool is intended to function as a grinder. Read all safety warnings, instructions, illustrations and specifications provided with this power tool.** Failure to follow all instructions listed below may result in electric shock, fire and/or serious injury.

2. **Operations such as sanding, wire brushing, polishing or cutting-off are not recommended to be performed with this power tool.** Operations for which the power tool was not designed may create a hazard and cause personal injury.
3. **Do not use accessories which are not specifically designed and recommended by the tool manufacturer.** Just because the accessory can be attached to your power tool, it does not assure safe operation.
4. **The rated speed of the accessory must be at least equal to the maximum speed marked on the power tool.** Accessories running faster than their rated speed can break and fly apart.
5. **The outside diameter and the thickness of your accessory must be within the capacity rating of your power tool.** Incorrectly sized accessories cannot be adequately guarded or controlled.
6. **Threaded mounting of accessories must match the grinder spindle thread. For accessories mounted by flanges, the arbour hole of the accessory must fit the locating diameter of the flange.** Accessories that do not match the mounting hardware of the power tool will run out of balance, vibrate excessively and may cause loss of control.
7. **Do not use a damaged accessory. Before each use inspect the accessory such as abrasive wheels for chips and cracks. If power tool or accessory is dropped, inspect for damage or install an undamaged accessory. After inspecting and installing an accessory, position yourself and bystanders away from the plane of the rotating accessory and run the power tool at maximum no-load speed for one minute.** Damaged accessories will normally break apart during this test time.
8. **Wear personal protective equipment. Depending on application, use face shield, safety goggles or safety glasses. As appropriate, wear dust mask, hearing protectors, gloves and workshop apron capable of stopping small abrasive or workpiece fragments.** The eye protection must be capable of stopping flying debris generated by various operations. The dust mask or respirator must be capable of filtering particles generated by your operation. Prolonged exposure to high intensity noise may cause hearing loss.
9. **Keep bystanders a safe distance away from work area. Anyone entering the work area must wear personal protective equipment.** Fragments of workpiece or of a broken accessory may fly away and cause injury beyond immediate area of operation.
10. **Hold the power tool by insulated gripping surfaces only, when performing an operation where the cutting accessory may contact hidden wiring or its own cord.** Cutting accessory contacting a "live" wire may make exposed metal parts of the power tool "live" and could give the operator an electric shock.
11. **Position the cord clear of the spinning accessory.** If you lose control, the cord may be cut or snagged and your hand or arm may be pulled into the spinning accessory.
12. **Never lay the power tool down until the accessory has come to a complete stop.** The spinning

accessory may grab the surface and pull the power tool out of your control.

13. **Do not run the power tool while carrying it at your side.** Accidental contact with the spinning accessory could snag your clothing, pulling the accessory into your body.
14. **Regularly clean the power tool's air vents.** The motor's fan will draw the dust inside the housing and excessive accumulation of powdered metal may cause electrical hazards.
15. **Do not operate the power tool near flammable materials.** Sparks could ignite these materials.
16. **Do not use accessories that require liquid coolants.** Using water or other liquid coolants may result in electrocution or shock.

Kickback and Related Warnings

Kickback is a sudden reaction to a pinched or snagged rotating wheel, backing pad, brush or any other accessory. Pinching or snagging causes rapid stalling of the rotating accessory which in turn causes the uncontrolled power tool to be forced in the direction opposite of the accessory's rotation at the point of the binding.

For example, if an abrasive wheel is snagged or pinched by the workpiece, the edge of the wheel that is entering into the pinch point can dig into the surface of the material causing the wheel to climb out or kick out. The wheel may either jump toward or away from the operator, depending on direction of the wheel's movement at the point of pinching. Abrasive wheels may also break under these conditions.

Kickback is the result of power tool misuse and/or incorrect operating procedures or conditions and can be avoided by taking proper precautions as given below.

- a) **Maintain a firm grip on the power tool and position your body and arm to allow you to resist kickback forces. Always use auxiliary handle, if provided, for maximum control over kickback or torque reaction during start-up.** The operator can control torque reactions or kickback forces, if proper precautions are taken.
- b) **Never place your hand near the rotating accessory.** Accessory may kickback over your hand.
- c) **Do not position your body in the area where power tool will move if kickback occurs.** Kickback will propel the tool in direction opposite to the wheel's movement at the point of snagging.
- d) **Use special care when working corners, sharp edges etc. Avoid bouncing and snagging the accessory.** Corners, sharp edges or bouncing have a tendency to snag the rotating accessory and cause loss of control or kickback.
- e) **Do not attach a saw chain woodcarving blade or toothed saw blade.** Such blades create frequent kickback and loss of control.

Safety Warnings Specific for Grinding:

- a) **Use only wheel types that are recommended for your power tool and the specific guard designed for the selected wheel.** Wheels for which the power tool was not designed cannot be adequately guarded and are unsafe.
- b) **The guard must be securely attached to the power tool and positioned for maximum safety,**

so the least amount of wheel is exposed towards the operator. The guard helps to protect the operator from broken wheel fragments, accidental contact with wheel and sparks that could ignite clothing.

c) Always use undamaged wheel flanges that are of correct size and shape for your selected wheel.

Proper wheel flanges support the wheel thus reducing the possibility of wheel breakage. Flanges for cut-off wheels may be different from grinding wheel flanges.

d) Do not use worn down wheels from larger power tools. Wheel intended for larger power tool is not suitable for the higher speed of a smaller tool and may burst.

Additional Safety Warnings:

17. **Never use depressed center wheels or abrasive cut-off wheels.**
18. **Be careful not to damage the spindle, the flange (especially the installing surface) or the lock nut. Damage to these parts could result in wheel breakage.**
19. **Make sure the wheel is not contacting the workpiece before the switch is turned on.**
20. **Before using the tool on an actual workpiece, let it run for a while. Watch for vibration or wobbling that could indicate poor installation or a poorly balanced wheel.**
21. **Use the specified surface of the wheel to perform the grinding.**
22. **Do not leave the tool running. Operate the tool only when hand-held.**
23. **Do not touch the workpiece immediately after operation; it may be extremely hot and could burn your skin.**
24. **Observe the instructions of the manufacturer for correct mounting and use of wheels. Handle and store wheels with care.**
25. **Use only flanges specified for this tool.**
26. **Check that the workpiece is properly supported.**
27. **Pay attention that the wheel continues to rotate after the tool is switched off.**
28. **If working place is extremely hot and humid, or badly polluted by conductive dust, use a short-circuit breaker (30 mA) to assure operator safety.**
29. **Do not use the tool on any materials containing asbestos.**
30. **Always be sure you have a firm footing. Be sure no one is below when using the tool in high locations.**

SAVE THESE INSTRUCTIONS.

⚠ WARNING:
DO NOT let comfort or familiarity with product (gained from repeated use) replace strict adherence to safety rules for the subject product. MISUSE or failure to follow the safety rules stated in this instruction manual may cause serious personal injury.

FUNCTIONAL DESCRIPTION

⚠ CAUTION:

- Always be sure that the tool is switched off and unplugged before adjusting or checking function on the tool.

Switch action (Fig. 1)

⚠ CAUTION:

- Before plugging in the tool, always check to see the switch trigger actuates properly and returns to the "OFF" position when released.

For tool with the lock-on switch

⚠ CAUTION:

- Switch can be locked in "ON" position for ease of operator comfort during extended use. Apply caution when locking tool in "ON" position and maintain firm grasp on tool.

To start the tool, simply pull the switch trigger (in the B direction). Release the switch trigger to stop. For continuous operation, pull the switch trigger (in the B direction) and then push in the lock lever (in the A direction). To stop the tool from the locked position, pull the switch trigger fully (in the B direction), then release it.

For tool with the lock-off switch

To prevent the switch trigger from accidentally pulled, a lock lever is provided. To start the tool, push in the lock lever (in the A direction) and then pull the switch trigger (in the B direction). Release the switch trigger to stop.

For tool with the lock-on and lock-off switch

To prevent the switch trigger from accidentally pulled, a lock lever is provided.

To start the tool, push in the lock lever (in the A direction) and then pull the switch trigger (in the B direction). Release the switch trigger to stop.

For continuous operation, push in the lock lever (in the A direction), pull the switch trigger (in the B direction) and then pull the lock lever (in the C direction).

To stop the tool from the locked position, pull the switch trigger fully (in the B direction), then release it.

ASSEMBLY

⚠ CAUTION:

- Always be sure that the tool is switched off and unplugged before carrying out any work on the tool. (Fig. 2)

⚠ CAUTION:

- When the wheel cover is positioned for more safety, tighten the two hex bolts by the strength more than 10 N.m to secure the wheel cover properly.

Installing or removing grinding wheel

⚠ CAUTION:

- Before installing grinding wheel, always check that a blotter part does not have any abnormalities such as chips or cracks.
- Overtightening the wheel can cause breakage. Failure to tighten sufficiently will cause flutter. Tighten the outer flange properly.

- Always use the grinding wheel with the blotter that has larger diameter than the lock nut or the outer flange and the inner flange.

For tool with support cover only (country specific) (Fig. 3)

Before installing or removing the grinding wheel, open the support cover. Loosen the wing bolts on both sides of the support cover and then open it.

After securing the wheel grinding, close the support cover and then secure the wing bolts properly.

For all tools

Type A (Fig. 4)

Securing method for type A (Fig. 5)

Insert screwdriver into the hole in the inner flange. Grip the lock nut with the lock nut wrench, turning in the direction of wheel rotation to loosen the lock nut. Remove the lock nut. Then install the wheel and tighten the lock nut in the direction of arrow as shown in the figure.

Type B (Fig. 6)

Type C (Fig. 7)

Securing method for type B and C (Fig. 8)

Insert screwdriver into the hole in the inner flange. Grip the hex nut with the wrench, turning in the direction of wheel rotation to loosen the hex nut. Remove the hex nut and outer flange. Then install the wheel, outer flange and hex nut.

Tighten the hex nut in the direction of arrow as shown in the figure.

OPERATION

⚠ CAUTION:

- Apply light pressure on the tool. Excessive pressure on the tool will only cause a poor finish and overloading of the motor.
- The grinding wheel continues to rotate after the tool is switched off.
- Hold the tool firmly with one hand on the switch handle and the other hand on the front grip when performing the tool. (Fig. 9)

Hanger (optional accessory) (Fig. 10)

Continuous operation of the grinder is made easy by using the handy hanger as shown in the figure. Simply loop the cord over the head or shoulder, after threading it through the eyelet on the top of the tool housing.

MAINTENANCE

⚠ CAUTION:

- Always be sure that the tool is switched off and unplugged before attempting to perform inspection or maintenance.
- Never use gasoline, benzine, thinner, alcohol or the like. Discoloration, deformation or cracks may result. (Fig. 11)

The tool and its air vents have to be kept clean. Regularly clean the tool's air vents or whenever the vents start to become obstructed.

Installing or removing dust cover (optional accessory)

⚠ CAUTION:

- Always be sure that the tool is switched off and unplugged before installing or removing the dust cover attachments.
- Failure to do so causes damage to the tool or a personal injury.
- Clean the dust cover attachments when the flow of the air through the dust cover attachments becomes obstructed with built up dust or foreign matters. Continued operation in such a condition may damage the tool.
- When removing the dust cover attachments, forcing it up without unhooking hook A or B may break hooking part. (Fig. 12)

Dust cover attachment R/L are respectively installed on the handles R/L with the sides shown above facing toward the tool. (Fig. 13)

To install the attachments, insert hook A and rib A into vent A lightly.

Insert hook B into vent B. (Fig. 14)

To remove, lift it up by using a slotted bit screwdriver near the hook B.

Also lift it up near the hook A.

NOTE:

Dust cover attachments installed on GS5000 and GS6000 do not cover the vents above and below the brush holder which is designed dust-proof.

Replacing carbon brushes (Fig. 15)

When the resin insulating tip inside the carbon brush is exposed to contact the commutator, it will automatically shut off the motor. When this occurs, both carbon brushes should be replaced. Keep the carbon brushes clean and free to slip in the holders. Both carbon brushes should be replaced at the same time. Use only identical carbon brushes. (Fig. 16)

Use a screwdriver to remove the brush holder caps. Take out the worn carbon brushes, insert the new ones and secure the brush holder caps.

To maintain product SAFETY and RELIABILITY, repairs, any other maintenance or adjustment should be performed by Makita Authorized Service Centers, always using Makita replacement parts.

OPTIONAL ACCESSORIES

⚠ CAUTION:

- These accessories or attachments are recommended for use with your Makita tool specified in this manual. The use of any other accessories or attachments might present a risk of injury to persons. Only use accessory or attachment for its stated purpose.

If you need any assistance for more details regarding these accessories, ask your local Makita Service Center.

- Hanger
- Dust cover
- Hex wrench
- Wrench holder

NOTE:

- Some items in the list may be included in the tool package as standard accessories. They may differ from country to country.

Model GS5000, GS6000**Noise** ENG905-1

The typical A-weighted noise level determined according to EN60745:

Sound pressure level (L_{pA}): 83 dB (A)

Sound power level (L_{WA}): 94 dB (A)

Uncertainty (K): 3 dB (A)

Wear ear protection.

Vibration ENG900-1

The vibration total value (tri-axial vector sum) determined according to EN60745:

Work mode : surface grinding

Vibration emission ($a_{h,SG}$): 2.5 m/s² or less

Uncertainty (K): 1.5 m/s²

ENG902-1

- The declared vibration emission value has been measured in accordance with the standard test method and may be used for comparing one tool with another.
- The declared vibration emission value may also be used in a preliminary assessment of exposure.
- The declared vibration emission value is used for main applications of the power tool. However if the power tool is used for other applications, the vibration emission value may be different.

 WARNING:

- The vibration emission during actual use of the power tool can differ from the declared emission value depending on the ways in which the tool is used.
- Be sure to identify safety measures to protect the operator that are based on an estimation of exposure in the actual conditions of use (taking account of all parts of the operating cycle such as the times when the tool is switched off and when it is running idle in addition to the trigger time).

For European countries only ENH101-18**EC Declaration of Conformity**

Makita declares that the following Machine(s):

Designation of Machine:

Straight Grinder

Model No./Type: GS5000, GS6000

Conforms to the following European Directives:

2006/42/EC

They are manufactured in accordance with the following standard or standardized documents:

EN60745

The technical file in accordance with 2006/42/EC is available from:

Makita, Jan-Baptist Vinkstraat 2, 3070, Belgium

1. 2. 2016



Yasushi Fukaya

Director

Makita, Jan-Baptist Vinkstraat 2, 3070, Belgium

Descriptif

- | | | |
|---------------------------|---|-------------------------------|
| 1. Gâchette | 13. Tournevis | 24. Capuchon anti-poussière G |
| 2. Levier de verrouillage | 14. Flasque intérieur | 25. Crochet B |
| 3. Clé hexagonale | 15. Clé à contre-écrou | 26. Crochet A |
| 4. Boulon hexagonal | 16. Écrou hexagonal | 27. Nervure A |
| 5. Contre-écrou hexagonal | 17. Flasque extérieur (de type convexe) | 28. Sortie d'air A |
| 6. Serrer | 18. Flasque extérieur (de type plat) | 29. Sortie d'air B |
| 7. Desserrer | 19. Sortie d'air | 30. Commutateur |
| 8. Boulon à oreilles | 20. Entrée d'air | 31. Bout isolateur |
| 9. Couvrecl de soutien | 21. Poignée D | 32. Charbon |
| 10. Contre-écrou | 22. Capuchon anti-poussière D | 33. Bouchon de porte-charbon |
| 11. Meule | 23. Poignée G | |

SPÉCIFICATIONS

Modèle		GS5000	GS6000
Capacité maximale de la meule (diamètre × épaisseur)		125 mm × 20 mm	150 mm × 20 mm
Filetage de l'axe		M14 ou 1/2" (selon le pays)	
Vitesse à vide (min ⁻¹)		5 600	
Longueur totale	Avec le couvercle de soutien	590 mm	590 mm
	Sans le couvercle de soutien	588 mm	588 mm
Poids net	Avec le couvercle de soutien	5,0 kg	5,2 kg
	Sans le couvercle de soutien	4,9 kg	5,0 kg
Niveau de sécurité		□/II	

- Étant donné l'évolution constante de notre programme de recherche et de développement, les spécifications contenues dans ce manuel sont sujettes à des modifications sans préavis.
- Les spécifications peuvent varier suivant les pays.
- Poids conforme à la procédure EPTA 01/2003

Symboles

END202-8

Les symboles utilisés pour l'appareil sont indiqués ci-dessous. Assurez-vous d'avoir bien compris leur signification avant d'utiliser l'appareil.



..... Reportez-vous au manuel d'instructions.



..... DOUBLE ISOLATION



..... Portez des lunettes de sécurité.



..... Pour les pays européens uniquement Ne pas jeter les appareils électriques dans les ordures ménagères ! Conformément à la directive européenne relative aux déchets d'équipements électriques et électroniques (DEEE), et à sa transposition dans la législation nationale, les appareils électriques doivent être collectés à part et être soumis à un recyclage respectueux de l'environnement.

Utilisations

ENE050-1

L'outil est conçu pour le meulage des matériaux ferreux ou l'ébavurage des pièces moulées.

Alimentation

ENF002-2

L'outil ne doit être raccordé qu'à une alimentation de la même tension que celle qui figure sur la plaque signalétique, et il ne peut fonctionner que sur un courant secteur monophasé. Réalisé avec une double isolation, il peut de ce fait être alimenté sans mise à la terre.

Consignes de sécurité générales des outils électriques

GEA010-1

⚠ AVERTISSEMENT Veuillez lire toutes les consignes de sécurité et les instructions. Il y a un risque de choc électrique, d'incendie et/ou de blessure grave si les consignes et les instructions ne sont pas toutes respectées.

Conservez toutes les consignes et instructions pour référence ultérieure.

AVERTISSEMENTS DE SÉCURITÉ CONCERNANT LA MEULEUSE DROITE

GEB108-4

Consignes de sécurité courantes pour l'opération de meulage :

1. **Cet outil électrique est conçu pour fonctionner comme une meuleuse. Lisez tous les avertissements concernant la sécurité, les instructions, les illustrations et les caractéristiques fournis avec cet outil électrique.** Il y a risque d'électrocution, d'incendie et/ou de blessures graves si les instructions énumérées ci-dessous ne sont pas respectées.
2. **Les opérations comme le ponçage, le brossage à brosse métallique, le polissage ou le tronçonnage sont déconseillées avec cet outil électrique.** Les opérations pour lesquelles l'outil électrique n'a pas été conçu peuvent générer un danger et occasionner des blessures.
3. **N'utilisez pas d'accessoires qui ne sont pas spécifiquement conçus et recommandés par le fabricant de l'outil.** Le simple fait que l'accessoire puisse être fixé à votre outil électrique ne signifie pas que le fonctionnement sera sécurisé.
4. **La vitesse nominale de l'accessoire doit être au moins égale à la vitesse maximale indiquée sur l'outil électrique.** Les accessoires fonctionnant plus rapidement que leur vitesse nominale risquent de se casser et de voler en éclats.
5. **Le diamètre externe et l'épaisseur de votre accessoire doivent correspondre à la puissance nominale de votre outil électrique.** Des accessoires aux dimensions inappropriées ne peuvent pas être protégés ou contrôlés correctement.
6. **Le montage fileté des accessoires doit correspondre au filetage de l'axe de la meuleuse. Pour les accessoires montés à l'aide de flasques, l'orifice de tonnelle de l'accessoire doit correspondre au diamètre du flasque.** Les accessoires qui ne correspondent pas au matériel de montage de l'outil électrique seront déséquilibrés et subiront des vibrations excessives, susceptibles d'occasionner une perte de contrôle.
7. **N'utilisez pas d'accessoire endommagé. Avant chaque utilisation, vérifiez que les accessoires tels que les meules ne sont pas burinés ou fissurés. En cas de chute de l'outil électrique ou d'un accessoire, assurez-vous qu'il n'est pas endommagé et remplacez-le au besoin par un accessoire en bon état. Après avoir inspecté et installé un accessoire, positionnez-vous ainsi que les spectateurs à distance du plan de l'accessoire en rotation et faites fonctionner l'outil électrique à la vitesse maximale à vide pendant une minute.** Normalement, tout accessoire endommagé se brisera au cours de ce temps d'essai.
8. **Portez un équipement de protection corporelle. En fonction du type de travail à effectuer, utilisez un écran facial, des lunettes étanches ou des lunettes de protection. Au besoin, portez un masque anti-poussières, des protège-tympans, des gants et un tablier d'atelier capable d'arrêter les petits fragments abrasifs ou des morceaux de la pièce à**

travailler. La protection pour les yeux doit pouvoir stopper les projections de débris générées par diverses opérations. Le masque anti-poussières ou le masque filtrant doit pouvoir filtrer les particules générées lors des travaux. L'exposition prolongée à un bruit d'intensité élevée peut entraîner la surdité.

9. **Gardez les spectateurs à une distance de sécurité de la zone de travail. Quiconque pénètre dans la zone de travail doit porter un équipement de protection corporelle.** Des fragments de la pièce à travailler ou d'un accessoire cassé peuvent être projetés hors de la zone de travail immédiate et entraîner des blessures.
10. **Ne tenez l'outil électrique que par ses surfaces de poigne isolées lorsque vous effectuez une opération au cours de laquelle l'accessoire de coupe peut entrer en contact avec des fils dissimulés ou avec le cordon de l'outil.** Il est possible que le contact de l'accessoire tranchant avec un fil sous tension mette les parties métalliques exposées de l'outil sous tension, risquant ainsi de provoquer un choc électrique chez l'utilisateur.
11. **Éloignez le cordon de l'accessoire rotatif.** En cas de perte de contrôle, le cordon risque d'être coupé ou accroché et votre main ou votre bras happé(e) par l'accessoire rotatif.
12. **Ne posez jamais l'outil électrique à terre tant que l'accessoire ne s'est pas complètement arrêté.** L'accessoire rotatif peut accrocher la surface et vous risquez de perdre le contrôle de l'outil électrique.
13. **Ne faites pas tourner l'outil électrique si vous le transportez à côté de vous.** Un contact accidentel avec l'accessoire rotatif pourrait accrocher vos vêtements et attirer l'accessoire vers votre corps.
14. **Nettoyez régulièrement les aérations de l'outil électrique.** Le ventilateur du moteur tirera la poussière à l'intérieur du logement et une accumulation excessive de poudre métallique peut entraîner des chocs électriques.
15. **Ne faites pas fonctionner l'outil électrique à proximité de matériaux inflammables.** Les étincelles risquent d'enflammer ces matériaux.
16. **N'utilisez pas d'accessoires qui nécessitent des liquides de refroidissement.** L'utilisation d'eau ou de liquides de refroidissement peut entraîner une électrocution ou un choc électrique.

Rebond et avertissements afférents

Le rebond est une réaction soudaine suite à un pincement ou accrochage d'une meule en rotation, d'un patin de renfort, d'une brosse ou d'un autre accessoire. Un pincement ou un accrochage peut entraîner le calage rapide de l'accessoire rotatif, ce qui peut alors forcer l'outil électrique hors de contrôle à tourner dans la direction opposée au sens de rotation de l'accessoire, jusqu'à ce qu'ils se bloquent.

Par exemple, si une meule est accrochée ou pincée par la pièce à travailler, le rebord de la meule qui pénètre dans le point de pincement peut creuser dans la surface du matériau, ce qui peut faire sortir la meule. La meule risque de sauter en direction de l'opérateur ou dans la direction opposée, en fonction du sens de rotation de la meule au niveau du point de pincement. Les meules peuvent également se casser dans certaines conditions.

Le rebond est dû à une mauvaise utilisation de l'outil et/ou à des procédures ou conditions de travail inappropriées. Il peut être évité en prenant les mesures appropriées, telles que celles indiquées ci-dessous.

a) **Maintenez une prise ferme sur l'outil électrique et positionnez votre corps et vos bras de façon à pouvoir résister aux forces du rebond. Utilisez toujours une poignée auxiliaire, le cas échéant, pour contrôler au maximum les rebonds ou la réaction du couple au démarrage.** L'opérateur peut contrôler les réactions du couple ou les forces du rebond s'il prend les précautions nécessaires.

b) **Ne placez jamais la main à proximité de l'accessoire rotatif.** L'accessoire risque de rebondir sur votre main.

c) **Ne positionnez pas votre corps dans la zone où l'outil électrique se déplacera en cas de rebond.**

Le rebond propulsera l'outil dans la direction opposée au mouvement de la meule, au point d'accrochage.

d) **Soyez particulièrement prudent lorsque vous travaillez dans des recoins, sur des rebords tranchants, etc. Évitez de faire rebondir ou d'accrocher l'accessoire.** Les recoins, les rebords tranchants ou les rebonds ont tendance à accrocher l'accessoire rotatif et à provoquer une perte de contrôle ou un rebond.

e) **Ne fixez pas une lame de sculpteur à chaîne coupante ou une lame de scie dentée.** De telles lames peuvent créer de fréquents rebonds et pertes de contrôle.

Consignes de sécurité spécifiques au meulage :

a) **N'utilisez que les types de meules qui sont recommandés pour votre outil électrique et le carter spécifique conçu pour la meule sélectionnée.** Les meules pour lesquelles l'outil électrique n'a pas été conçu ne peuvent pas être protégées de manière adéquate et ne sont pas sûres.

b) **Pour une sécurité maximale, le carter doit être solidement fixé à l'outil électrique et positionné pour une sécurité optimale, de manière à exposer la meule au minimum en direction de l'opérateur.**

Le carter contribue à protéger l'opérateur des fragments de meule brisée, du contact accidentel avec la meule et des étincelles susceptibles d'enflammer les vêtements.

c) **Utilisez toujours des flasques de meule en bon état dont la taille et la forme sont adaptées à la meule que vous avez choisie.** Des flasques de meule appropriés soutiennent la meule, réduisant ainsi le risque de cassure de la meule. Les flasques pour les meules tronçonneuses peuvent être différents des flasques de meule ordinaire.

d) **N'utilisez pas de meules usées issues d'outils électriques plus grands.** La meule conçue pour les outils électriques plus grands ne convient pas à la vitesse plus élevée d'un outil plus petit et elle risque d'exploser.

Autres avertissements de sécurité :

17. **N'utilisez jamais de meules à moyeu déporté ou de meules tronçonneuses.**

18. **Prenez garde de ne pas endommager l'axe, le flasque (tout particulièrement la surface**

d'installation) ou le contre-écrou. La meule risque de casser si ces pièces sont endommagées.

19. **Assurez-vous que la meule n'entre pas en contact avec la pièce à travailler avant de mettre l'outil sous tension.**

20. **Avant d'utiliser l'outil sur la pièce elle-même, laissez-le tourner un instant. Soyez attentif à toute vibration ou sautellement pouvant indiquer que la meule n'est pas bien installée ou qu'elle est mal équilibrée.**

21. **Utilisez la face spécifiée de la meule pour meuler.**

22. **N'abandonnez pas l'outil alors qu'il tourne. Ne faites fonctionner l'outil qu'une fois que vous l'avez bien en main.**

23. **Ne touchez jamais la pièce juste après l'opération ; elle peut être extrêmement chaude et vous risquez de vous brûler.**

24. **Pour installer et utiliser correctement la meule, veuillez suivre les instructions du fabricant. Manipulez les meules avec soin et rangez-les en lieu sûr.**

25. **Utilisez exclusivement les flasques spécifiés pour cet outil.**

26. **Assurez-vous que la pièce à travailler est correctement soutenue.**

27. **Gardez à l'esprit que la meule continue de tourner même une fois le contact coupé sur l'outil.**

28. **Si le site de travail est extrêmement chaud et humide ou s'il y a beaucoup de poussières conductrices dans l'air, utilisez un coupe-circuit (30 mA) pour assurer votre sécurité.**

29. **N'utilisez l'outil sur aucun matériau contenant de l'amiante.**

30. **Veillez à toujours avoir une bonne position d'équilibre. Assurez-vous que personne ne se trouve sous l'outil lorsque vous l'utilisez en position élevée.**

CONSERVEZ CES INSTRUCTIONS.

⚠ AVERTISSEMENT :

NE vous laissez PAS tromper (au fil d'une utilisation répétée) par un sentiment d'aisance et de familiarité avec le produit, en négligeant le respect rigoureux des consignes de sécurité qui accompagnent l'outil. Une UTILISATION INCORRECTE de l'outil ou le non-respect des consignes de sécurité indiquées dans ce manuel d'instructions peuvent causer des blessures graves.

DESCRIPTION DU FONCTIONNEMENT

⚠ ATTENTION :

- Assurez-vous toujours que l'outil est éteint et débranché avant de le régler ou vérifier son fonctionnement.

Interrupteur (Fig. 1)

ATTENTION :

- Avant de brancher l'outil, vérifiez toujours que la gâchette fonctionne correctement et revient en position d'arrêt (« OFF ») lorsqu'elle est relâchée.

Pour les outils équipés d'un commutateur de verrouillage

ATTENTION :

- Le commutateur peut être verrouillé en position de marche (« ON ») pour le confort de l'opérateur pendant un usage prolongé. Soyez vigilant lorsque vous verrouillez l'outil en position de marche (« ON ») et gardez-le bien en main.

Pour démarrer l'outil, appuyez simplement sur la gâchette (dans le sens B). Pour l'arrêter, relâchez la gâchette. Pour un fonctionnement continu, appuyez sur la gâchette (dans le sens B) puis enfoncez le levier de verrouillage (dans le sens A). Pour arrêter l'outil alors qu'il est en position verrouillée, appuyez à fond sur la gâchette (dans le sens B), puis relâchez-la.

Pour les outils équipés d'un commutateur de déverrouillage

Un levier de verrouillage est prévu pour éviter toute pression accidentelle sur la gâchette. Pour démarrer l'outil, enfoncez le levier de verrouillage (dans le sens A) puis appuyez sur la gâchette (dans le sens B). Pour l'arrêter, relâchez la gâchette.

Pour les outils équipés d'un commutateur de verrouillage et d'un commutateur de déverrouillage

Un levier de verrouillage est prévu pour éviter toute pression accidentelle sur la gâchette. Pour démarrer l'outil, enfoncez le levier de verrouillage (dans le sens A) puis appuyez sur la gâchette (dans le sens B). Pour l'arrêter, relâchez la gâchette. Pour un fonctionnement continu, enfoncez le levier de verrouillage (dans le sens A), appuyez sur la gâchette (dans le sens B), puis appuyez sur le levier de verrouillage (dans le sens C).

Pour arrêter l'outil alors qu'il est en position verrouillée, appuyez à fond sur la gâchette (dans le sens B), puis relâchez-la.

ASSEMBLAGE

ATTENTION :

- Avant d'effectuer toute intervention sur l'outil, assurez-vous toujours qu'il est éteint et débranché. (Fig. 2)

ATTENTION :

- Lorsque le carter de meule est positionné pour une plus grande sécurité, serrez les deux boulons hexagonaux selon un couple supérieur à 10 Nm afin de fixer correctement le carter de meule.

Installation ou dépose de la meule

ATTENTION :

- Avant d'installer la meule, vérifiez toujours qu'aucune partie du disque ne comporte d'anomalie, telle que des écailles ou des fissures.

- Ne serrez pas excessivement la meule au risque de la briser. Un serrage insuffisant entraîne des vibrations. Serrez correctement le flasque extérieur.
- Utilisez toujours la meule avec un disque de diamètre plus grand que le contre-écrou ou le flasque extérieur et le flasque intérieur.

Pour les outils équipés d'un couvercle de soutien uniquement (selon les pays) (Fig. 3)

Avant d'installer ou de déposer la meule, ouvrez le couvercle de soutien. Desserrez les boulons à oreilles des deux côtés du couvercle de soutien, puis ouvrez ce dernier.

Après avoir fixé la meule de façon sécurisée, fermez le couvercle de soutien, puis fixez correctement les boulons à oreilles.

Pour tous les outils

Type A (Fig. 4)

Méthode de fixation pour le type A (Fig. 5)

Insérez un tournevis dans l'orifice du flasque intérieur. Maintenez le contre-écrou avec la clé à contre-écrou, en tournant dans le sens de rotation de la meule pour desserrer le contre-écrou. Déposez le contre-écrou. Ensuite, installez la meule et serrez le contre-écrou dans le sens de la flèche, comme illustré sur la figure.

Type B (Fig. 6)

Type C (Fig. 7)

Méthode de fixation pour les types B et C (Fig. 8)

Insérez un tournevis dans l'orifice du flasque intérieur. Maintenez l'écrou hexagonal avec la clé, en tournant dans le sens de rotation de la meule pour desserrer l'écrou hexagonal. Déposez l'écrou hexagonal et le flasque extérieur. Installez ensuite la meule, le flasque extérieur et l'écrou hexagonal. Serrez l'écrou hexagonal dans le sens de la flèche, comme illustré sur la figure.

FONCTIONNEMENT

ATTENTION :

- Appliquez une légère pression sur l'outil. Une pression excessive sur l'outil résultera en une finition médiocre et imposera une surcharge au moteur.
- La meule continue de tourner une fois l'outil éteint.
- Tenez fermement l'outil pendant son fonctionnement en posant une main sur la poignée et l'interrupteur et l'autre main sur la prise avant. (Fig. 9)

Bride de suspension (accessoire fourni en option) (Fig. 10)

La bride de suspension pratique facilite l'utilisation en continu de la meuleuse, comme illustré sur la figure. Enroulez simplement le cordon autour du cou ou sur l'épaule, après l'avoir fait passer à travers l'œillet en haut du corps de l'outil.

ENTRETIEN

ATTENTION :

- Assurez-vous toujours que l'appareil est éteint et débranché avant d'effectuer tout travail d'inspection ou d'entretien.
- N'utilisez jamais d'essence, de benzine, de diluant, d'alcool ou de produit similaire. Ces produits risquent de provoquer des décolorations, des déformations ou des fissures. (Fig. 11)

L'outil et ses orifices d'aération doivent être maintenus propres. Nettoyez les orifices d'aération de l'outil régulièrement ou chaque fois qu'ils commencent à se boucher.

Pose ou dépose du capuchon anti-poussière (accessoire fourni en option)

ATTENTION :

- Assurez-vous toujours que l'outil est hors tension et débranché avant d'installer ou de retirer le capuchon anti-poussière.
- Le non respect de cette consigne peut entraîner l'endommagement de l'outil ou des blessures corporelles.
- Nettoyez les capuchons anti-poussière lorsque la poussière accumulée ou des corps étrangers y bloquent la circulation de l'air. Vous risquez d'endommager l'outil si vous poursuivez l'utilisation dans de telles conditions.
- Vous risquez de casser les capuchons anti-poussière en les retirant si vous les forcez sans désengager le crochet A ou B. (Fig. 12)

Les capuchons anti-poussière D/G s'installent respectivement sur les poignées D/G avec les faces indiquées ci-dessus orientées vers l'outil. (Fig. 13) Pour installer les capuchons, insérez légèrement le crochet A et la nervure A dans la sortie d'air A. Insérez le crochet B dans la sortie d'air B. (Fig. 14) Pour le retirer, soulevez-le près du crochet B à l'aide d'un tournevis à tête fendue.

Soulevez-le également près du crochet A.

REMARQUE :

Les capuchons anti-poussière installés sur les modèles GS5000 et GS6000 ne recouvrent pas les sorties d'air situées au-dessus et au-dessous du porte-balai conçu pour être imperméable à la poussière.

Remplacement des charbons (Fig. 15)

Lorsque le bout isolateur en résine qui se trouve à l'intérieur du charbon entre en contact avec le commutateur, il coupe automatiquement l'alimentation du moteur. Lorsque cela se produit, il faut remplacer les deux charbons. Maintenez les charbons propres et en état de glisser aisément dans les porte-charbons. Les deux charbons doivent être remplacés en même temps. N'utilisez que des charbons identiques. (Fig. 16) Retirez les bouchons de porte-charbon à l'aide d'un tournevis. Enlevez les charbons usés, insérez-en de nouveaux et revissez solidement les bouchons de porte-charbon.

Pour garantir la SÉCURITÉ et la FIABILITÉ du produit, les réparations ainsi que tout autre travail d'entretien ou de réglage doivent être effectués dans un centre d'entretien

Makita agréé, exclusivement avec des pièces de rechange Makita.

ACCESSOIRES FOURNIS EN OPTION

ATTENTION :

- Ces accessoires ou pièces complémentaires sont recommandés pour être utilisés avec l'outil Makita spécifié dans ce mode d'emploi. L'utilisation de tout autre accessoire ou pièce complémentaire peut comporter un risque de blessure. N'utilisez les accessoires ou pièces qu'aux fins auxquelles ils ont été conçus.

Pour obtenir plus de détails sur ces accessoires, contactez votre Centre de service local Makita.

- Bride de suspension
- Capuchon anti-poussière
- Clé hexagonale
- Support à clé

REMARQUE :

- Certains éléments de la liste peuvent être inclus en tant qu'accessoires standard dans le coffret de l'outil envoyé. Ils peuvent varier suivant les pays.

Modèles GS5000, GS6000

Bruit

ENG905-1

Les niveaux de bruit pondéré A typiques ont été mesurés selon la norme EN60745 :

Niveau de pression sonore (L_{pA}) : 83 dB (A)

Niveau de puissance sonore (L_{WA}) : 94 dB (A)

Incertitude (K) : 3 dB (A)

Portez des protections auditives.

Vibrations

ENG900-1

La valeur totale de vibration (somme du vecteur triaxial) a été déterminée selon la norme EN60745 :

Mode de fonctionnement : meulage de surface

Émission de vibrations ($a_{h, SG}$) : 2,5 m/s² ou moins

Incertitude (K) : 1,5 m/s²

ENG902-1

- La valeur de l'émission des vibrations déclarée a été mesurée conformément à la méthode de test standard et peut être utilisée afin de comparer des outils entre eux.
- La valeur de l'émission des vibrations déclarée peut également être utilisée lors d'une évaluation préliminaire de l'exposition.
- La valeur de l'émission des vibrations déclarée est utilisée pour les principales applications de l'outil électrique. Cependant, si l'outil est utilisé pour d'autres applications, la valeur de l'émission des vibrations peut être différente.

AVERTISSEMENT :

- Selon la manière dont l'outil est utilisé, il est possible que l'émission des vibrations pendant l'utilisation réelle de l'outil électrique diffère de la valeur de l'émission déclarée.
- Veillez à identifier les mesures de sécurité destinées à protéger l'opérateur et établies à partir de l'estimation de l'exposition dans les conditions réelles d'utilisation (en prenant en compte toutes les étapes du cycle de fonctionnement, telles que les périodes de mise hors

tension de l'outil, les périodes de fonctionnement au ralenti et les périodes de mise en route).

Pour les pays d'Europe uniquement ENH101-18

Déclaration de conformité CE

Makita déclare que la/les machine(s) suivante(s) :

Nom de la machine :

Meuleuse Droite

N° de modèle/Type : GS5000, GS6000

sont conformes aux directives européennes

suivantes :

2006/42/CE

sont produites conformément aux normes ou documents de normalisation suivants :

EN60745

Le dossier technique conforme à la norme 2006/42/CE est disponible auprès de :

Makita, Jan-Baptist Vinkstraat 2, 3070, Belgique

1. 2. 2016



Yasushi Fukaya

Directeur

Makita, Jan-Baptist Vinkstraat 2, 3070, Belgique

DEUTSCH (Originalanweisungen)

Erklärung der Gesamtdarstellung

- | | | |
|---------------------------------|-------------------------------|------------------------|
| 1. Ein/Aus-Schalter | 12. Spindel | 23. Griff L |
| 2. Arretierhebel | 13. Schraubendreher | 24. Staubfänger L |
| 3. Inbusschlüssel | 14. Innenflansch | 25. Raste B |
| 4. Sechskantschraube | 15. Sicherungsmutterschlüssel | 26. Raste A |
| 5. Sechskant-Befestigungsmutter | 16. Sechskantmutter | 27. Lamelle A |
| 6. Festziehen | 17. Außenflansch (konvex) | 28. Lüftungsschlitze A |
| 7. Lösen | 18. Außenflansch (flach) | 29. Lüftungsschlitze B |
| 8. Flügelschraube | 19. Lüftungsschlitze | 30. Gleichrichter |
| 9. Schutzabdeckung | 20. Schlitz für Lufteintritt | 31. Isolierspitze |
| 10. Sicherungsmutter | 21. Griff R | 32. Kohlebürste |
| 11. Schleifscheibe | 22. Staubfänger R | 33. Bürstenhalterkappe |

TECHNISCHE DATEN

Modell		GS5000	GS6000
Maximale Scheibenkapazität (Durchmesser × Dicke)		125 mm × 20 mm	150 mm × 20 mm
Spindelgewinde		M14 oder 1/2" (länderspezifisch)	
Leerlaufdrehzahl (min ⁻¹)		5.600	
Gesamtlänge	Mit Schutzabdeckung	590 mm	590 mm
	Ohne Schutzabdeckung	588 mm	588 mm
Nettogewicht	Mit Schutzabdeckung	5,0 kg	5,2 kg
	Ohne Schutzabdeckung	4,9 kg	5,0 kg
Schutzklasse		□/II	

- Aufgrund unserer beständigen Forschungen und Weiterentwicklungen sind Änderungen an den hier angegebenen Technischen Daten ohne Vorankündigung vorbehalten.
- Die Technischen Daten können in den einzelnen Ländern voneinander abweichen.
- Gewicht entsprechend EPTA-Verfahren 01/2003

Symbole

END202-8

Im Folgenden sind die im Zusammenhang mit diesem Gerät verwendeten Symbole dargestellt. Machen Sie sich vor der Benutzung des Geräts unbedingt mit diesen Symbolen vertraut!



..... Lesen Sie die Bedienungsanleitung!



..... DOPPELT SCHUTZISOLIERT



..... Tragen Sie eine Schutzbrille!



..... Nur für EU-Länder

Werfen Sie Elektrowerkzeuge nicht in den Hausmüll!
Gemäß der Europäischen Richtlinie über Elektro- und Elektronik-Altgeräte und ihrer Umsetzung in nationales Recht müssen verbrauchte Elektrowerkzeuge getrennt gesammelt und einer umweltgerechten Wiederverwertung zugeführt werden.

Verwendungszweck

ENE050-1

Dieses Werkzeug wurde für das Schleifen von Eisenwerkstoffen und das Entgraten von Gussteilen entwickelt.

Stromversorgung

ENF002-2

Das Werkzeug darf nur an eine Stromversorgung mit Einphasen-Wechselstrom mit der auf dem Typenschild angegebenen Spannung angeschlossen werden. Das Werkzeug verfügt über ein doppelt isoliertes Gehäuse und kann daher auch an einer Stromversorgung ohne Schutzkontakt betrieben werden.

Allgemeine Sicherheitshinweise für Elektrowerkzeuge

GEA010-1

⚠️ WARNUNG Lesen Sie alle Sicherheitshinweise und Anweisungen sorgfältig durch. Wenn die Hinweise und Anweisungen nicht beachtet werden, besteht die Gefahr eines Stromschlags, Brands und/oder das Risiko von ernsthaften Verletzungen.

Bewahren Sie alle Hinweise und Anweisungen zur späteren Referenz gut auf.

SICHERHEITSHINWEISE FÜR GERADSCHLEIFER

GEB108-4

Allgemeine Sicherheitshinweise zum Schleifbetrieb:

1. Dieses Elektrowerkzeug ist für den Einsatz als Schleifgerät vorgesehen. Lesen Sie alle Sicherheitshinweise, Anweisungen, Abbildungen

- und Spezifikationen durch, die mit diesem Elektrowerkzeug geliefert wurden. Werden nicht alle der unten aufgeführten Anweisungen befolgt, besteht die Gefahr eines Stromschlags, Brands und/oder die Gefahr schwerer Verletzungen.
2. **Vorgänge wie Schmirgeln, Drahtbürsten, Polieren oder Abschneiden sollten mit diesem Elektrowerkzeug nicht ausgeführt werden.** Bei Arbeiten, für die das Elektrowerkzeug nicht vorgesehen ist, kann es zu gefährlichen Situationen und zu Verletzungen kommen.
 3. **Verwenden Sie nur Zubehör, das vom Hersteller des Geräts entwickelt oder vom Hersteller ausdrücklich empfohlen wurde.** Nur weil Sie ein bestimmtes Zubehör am Werkzeug befestigen können, bedeutet dies nicht, dass die Verwendung gefahrlos möglich ist.
 4. **Die Nenn Drehzahl des Zubehörs muss mindestens der auf dem Elektrowerkzeug angegebenen Höchst drehzahl entsprechen.** Zubehör, das mit einer höheren Drehzahl als der zulässigen Drehzahl betrieben wird, kann zerbersten, wobei Teile mit hoher Geschwindigkeit durch die Luft fliegen.
 5. **Außendurchmesser und Dicke von Zubehör müssen innerhalb der Nennwerte des Elektrowerkzeugs liegen.** Zubehör in unzulässiger Größe kann nicht angemessen abgedeckt oder betrieben werden.
 6. **Bei Gewindemontage muss das Zubehörteil auf das Gewinde der Schleifspindel passen. Bei Flanschmontage muss die Bohrung des Zubehörteils die richtige Größe für den Flansch besitzen.** Zubehörteile, die nicht den Montageteilen des Elektrowerkzeugs entsprechen, laufen exzentrisch, schwingen stark und führen zum Kontrollverlust.
 7. **Verwenden Sie kein beschädigtes Zubehör. Überprüfen Sie vor jeder Verwendung das Zubehör wie beispielsweise Schleifscheiben auf Risse und sonstige Beschädigungen. Wenn das Elektrowerkzeug oder ein Zubehör zu Boden gefallen sein sollte, überprüfen Sie Werkzeug bzw. Zubehör auf Beschädigungen und tauschen Sie ggf. beschädigte Teile gegen unbeschädigte Teile aus. Nachdem Sie das Zubehör überprüft und montiert haben, halten Sie und Umstehende Abstand vom rotierenden Zubehörteil, und lassen Sie das Elektrowerkzeug eine Minute mit maximaler Leerlaufdrehzahl laufen.** Möglicherweise beschädigtes Zubehör würde üblicherweise innerhalb dieser Testzeit zerbersten.
 8. **Tragen Sie Schutzausrüstung! Tragen Sie je nach Arbeitsaufgabe einen Gesichtsschild oder eine Schutzbrille. Soweit angemessen, tragen Sie Staubmaske, Gehörschutz, Schutzhandschuhe oder Spezialschürze, um kleine Schleif- und Materialpartikel von Ihnen fernzuhalten.** Der Augenschutz muss umherfliegende Fremdkörper abhalten können, die bei verschiedenen Arbeiten auftreten können. Die Staub- oder Atemschutzmaske muss Partikel herausfiltern können, die bei verschiedenen Arbeiten entstehen. Lange und intensive Lärmeinwirkung kann zu Gehörverlust führen.
 9. **Achten Sie darauf, dass Umstehende den Sicherheitsabstand zum Arbeitsbereich einhalten. Jeder, der den Arbeitsbereich betritt, muss eine Schutzausrüstung tragen.** Splitter des Werkstücks oder eines geborstenen Zubehörteils können umherfliegen und auch außerhalb des eigentlichen Arbeitsbereichs noch zu Verletzungen führen.
 10. **Halten Sie das Elektrowerkzeug an den isolierten Griffflächen, wenn Sie unter Bedingungen arbeiten, bei denen das Schneidwerkzeug nicht sichtbare Stromkabel oder das eigene Kabel berühren kann.** Bei Kontakt des Werkzeugs mit einem stromführenden Kabel könnten die Metallteile des Elektrowerkzeugs unter Strom gesetzt werden und der Bediener könnte dadurch einen Stromschlag erleiden.
 11. **Halten Sie das Netzkabel von rotierendem Zubehör fern.** Falls Sie die Kontrolle über das Elektrowerkzeug verlieren, könnte das Netzkabel durchtrennt oder erfasst werden oder Ihre Hand oder Ihr Arm könnte in das rotierende Zubehör geraten.
 12. **Legen Sie das Elektrowerkzeug erst ab, nachdem rotierendes Zubehör zum völligen Stillstand gekommen ist.** Das rotierende Zubehör könnte in Kontakt mit der Auflagefläche kommen, sodass Sie die Kontrolle über das Elektrowerkzeug verlieren.
 13. **Lassen Sie das Elektrowerkzeug nicht in Betrieb, während Sie es tragen.** Ihre Kleidung könnte durch versehentlichen Kontakt mit dem sich drehenden Zubehör erfasst werden, wodurch sich das Zubehör in Ihren Körper bohren könnte.
 14. **Reinigen Sie die Lüftungsschlitze des Elektrowerkzeugs regelmäßig.** Der Motorventilator zieht Staub in das Gehäuse hinein, wobei eine übermäßige Ansammlung von Metallspänen Gefahren durch elektrischen Strom verursachen kann.
 15. **Betreiben Sie das Elektrowerkzeug nicht in der Nähe brennbarer Materialien.** Diese Materialien könnten durch Funken entflammt werden.
 16. **Verwenden Sie keine Zubehörteile, die flüssige Kühlmittel benötigen.** Bei Verwendung von Wasser oder anderen flüssigen Kühlmitteln könnten Sie einen Stromschlag erleiden.
- Rückschläge und entsprechende Warnhinweise**
 Ein Rückschlag ist eine plötzliche Reaktion einer verklemmten oder verfangenen rotierenden Schleifscheibe, Stützscheibe, der Bürste oder anderen Zubehörs. Durch Verklemmen oder Verfangen kommt es zu einem plötzlichen Stillstand des rotierenden Zubehörs, sodass das Elektrowerkzeug am Punkt des Festfahrens in die der Rotationsrichtung des Zubehörs entgegengesetzte Richtung gezwungen wird. Verklemmt sich beispielsweise eine Schleifscheibe im Werkstück, kann die Kante, die in den Punkt des Verklemmens eindringt, in die Oberfläche des Materials eindringen, sodass die Scheibe ausschlägt. Die Scheibe springt entweder in Richtung des Bedieners oder vom Bediener weg, dies hängt von der Richtung der Scheibenbewegung am Punkt der Blockade ab. Unter diesen Umständen können Schleifscheiben auch zerbersten.
 Ein Rückschlag ist auf eine Zweckentfremdung bzw. inkorrekte Betriebsweise oder auf einen fehlerhaften Zustand des Elektrowerkzeugs zurückzuführen und kann

durch die im Folgenden aufgeführten
Vorsichtsmaßnahmen verhindert werden.

- a) **Halten Sie das Elektrowerkzeug stets mit beiden Händen gut fest und halten Sie Ihren Körper und Ihre Arme so, dass Sie Rückschläge abfangen können. Verwenden Sie, sofern vorhanden, immer den Zusatzgriff, um größtmögliche Kontrolle über Rückschlagkräfte oder Reaktionsmomente beim Startvorgang zu haben.** Bei geeigneten Vorsichtsmaßnahmen können Rückschlag- und Reaktionskräfte sicher von der Bedienperson beherrscht werden.
- b) **Bringen Sie Ihre Hand nie in die Nähe von rotierendem Zubehör.** Das Zubehör könnte über Ihre Hand zurückschlagen.
- c) **Meiden Sie mit Ihrem Körper den Bereich, in den sich das Elektrowerkzeug bei einem Rückschlag bewegen würde.** Das Elektrowerkzeug wird am Punkt der Blockade in die der Rotationsrichtung der Scheibe entgegengesetzte Richtung zurückgeschlagen.
- d) **Arbeiten Sie im Bereich von Ecken, scharfen Kanten usw. besonders vorsichtig. Verhindern Sie, dass das Zubehör vom Werkstück zurückprallt und verklemt.** Das rotierende Zubehör neigt bei Ecken, scharfen Kanten oder beim Abprallen dazu, sich zu verklemmen. Dies verursacht einen Verlust der Kontrolle oder Rückschlag.
- e) **Verwenden Sie kein Ketten- oder gezähntes Sägeblatt.** Derartige Blätter verursachen häufig ein Rückschlagen und führen zum Kontrollverlust.

Spezielle Sicherheitshinweise zum Schleifbetrieb:

- a) **Verwenden Sie ausschließlich die für dieses Elektrowerkzeug zugelassenen Schleifkörper und die für diese Schleifkörper vorgesehene Schutzhaube.** Schleifkörper, die nicht für das Elektrowerkzeug vorgesehen sind, können nicht ausreichend abgeschirmt werden und stellen Gefahrenquellen dar.
- b) **Zur optimalen Sicherheit muss die Schutzhaube sicher am Elektrowerkzeug angebracht und positioniert sein, sodass der kleinstmögliche Teil des Schleifkörpers in Richtung Bedienperson frei liegt.** Die Schutzabdeckung soll die Bedienperson vor Bruchstücken und zufälligem Kontakt mit dem Schleifkörper und Funken, die die Kleidung entzünden könnten, schützen.
- c) **Verwenden Sie immer unbeschädigte Spannflansche in der richtigen Größe und Form für die von Ihnen gewählte Schleifscheibe.** Die richtigen Scheibenflansche unterstützen die Schleifscheibe, sodass die Gefahr des Scheibenbruchs vermindert wird. Flansche für Trennscheiben unterscheiden sich möglicherweise von Flanschen für Schleifscheiben.
- d) **Verwenden Sie keine abgenutzten Schleifscheiben von größeren Elektrowerkzeugen.** Schleifscheiben für größere Elektrowerkzeuge sind nicht für die höheren Drehzahlen von kleineren Elektrowerkzeugen ausgelegt und könnten bersten.

Zusätzliche Sicherheitshinweise:

17. **Verwenden Sie nie gekrümmte Scheiben oder Trennscheifscheiben.**
18. **Achten Sie sorgfältig darauf, dass Spindel, Flansch (insbesondere die Ansatzfläche) und Sicherungsmutter nicht beschädigt werden. Eine Beschädigung dieser Teile kann zu einem Scheibenbruch führen.**
19. **Stellen Sie vor dem Einschalten des Werkzeugs sicher, dass die Scheibe das Werkstück nicht berührt.**
20. **Bevor Sie das Werkzeug auf das zu bearbeitende Werkstück ansetzen, lassen Sie es einige Zeit ohne Last laufen. Achten Sie auf Vibrationen und Schlägen; beide Anzeichen können auf eine schlecht ausgewuchtete oder nicht fachgerecht eingebaute Schleifscheibe hindeuten.**
21. **Verwenden Sie für Schleifarbeiten ausschließlich die dafür vorgesehene Fläche der Schleifscheibe.**
22. **Lassen Sie das Werkzeug nicht unbeaufsichtigt eingeschaltet. Das Werkzeug darf nur dann in Betrieb sein, wenn es von Hand festgehalten wird.**
23. **Vermeiden Sie eine Berührung des Werkstücks unmittelbar nach der Bearbeitung, da es dann noch sehr heiß sein und somit Hautverbrennungen verursachen kann.**
24. **Befolgen Sie die Anweisungen des Herstellers zur korrekten Montage und Verwendung von Schleifscheiben. Behandeln und lagern Sie Schleifscheiben mit Sorgfalt.**
25. **Verwenden Sie ausschließlich die für dieses Werkzeug vorgeschriebenen Flansche.**
26. **Vergewissern Sie sich, dass das Werkstück sicher eingespannt ist.**
27. **Beachten Sie, dass sich die Schleifscheibe nach dem Ausschalten des Werkzeugs noch weiterdreht.**
28. **Falls der Arbeitsplatz sehr heiß, feucht oder durch leitfähigen Staub stark verschmutzt ist, verwenden Sie zum Schutz des Bedieners einen Kurzschlusschalter (30 mA).**
29. **Verwenden Sie dieses Werkzeug nicht zum Bearbeiten von asbesthaltigen Materialien.**
30. **Achten Sie jederzeit auf einen festen Stand. Achten Sie darauf, dass sich niemand unter Ihnen befindet, wenn Sie das Werkzeug an erhöhten Orten verwenden.**

BEWAHREN SIE DIESE ANLEITUNG SORGFÄLTIG AUF.

⚠️ WARNUNG:

Lassen Sie sich **NIE** durch Bequemlichkeit oder (aus fortwährendem Gebrauch gewonnener) Vertrautheit mit dem Werkzeug dazu verleiten, die Sicherheitsregeln für das Werkzeug zu missachten. Bei **MISSBRÄUHLICHER** Verwendung des Werkzeugs oder bei Missachtung der in diesem Handbuch enthaltenen Sicherheitshinweise kann es zu schweren Verletzungen kommen.

FUNKTIONSBESCHREIBUNG

ACHTUNG:

- Schalten Sie das Werkzeug stets aus und ziehen Sie den Stecker, bevor Sie Einstellungen oder eine Funktionsprüfung am Werkzeug vornehmen.

Bedienen des Ein/Aus-Schalters (Abb. 1)

ACHTUNG:

- Achten Sie vor dem Einstecken des Werkzeug-Netzsteckers darauf, dass sich der Ein/Aus-Schalter korrekt bedienen lässt und beim Loslassen in die Position „OFF“ (AUS) zurückkehrt.

Für Werkzeug mit Ausschaltsperr

ACHTUNG:

- Um die Bedienung bei längerem Gebrauch zu vereinfachen, kann der Schalter in der Stellung „ON“ (EIN) arretiert werden. Seien Sie vorsichtig, wenn der Schalter des Werkzeugs in der Position „ON“ (EIN) arretiert ist, und halten Sie das Werkzeug gut fest.

Zum Einschalten des Werkzeugs betätigen Sie einfach den Ein/Aus-Schalter (in Richtung B). Lassen Sie zum Ausschalten des Werkzeugs den Ein/Aus-Schalter los. Zum Einschalten des Dauerbetriebs betätigen Sie den Ein/Aus-Schalter (in Richtung B) und drücken Sie den Arretierhebel (in Richtung A). Zur Aufhebung der Arretierung müssen Sie den Ein/Aus-Schalter bis zum Anschlag betätigen (in Richtung B) und anschließend loslassen.

Für Werkzeug mit Einschaltsperr

Zur Verhinderung der versehentlichen Betätigung des Ein/Aus-Schalters kann das Werkzeug mit einem Arretierhebel ausgestattet sein. Drücken Sie zum Starten des Werkzeugs den Arretierhebel (in Richtung A) und betätigen Sie den Ein/Aus-Schalter (in Richtung B). Lassen Sie zum Ausschalten des Werkzeugs den Ein/Aus-Schalter los.

Für Werkzeug mit Aus- und Einschaltsperr

Zur Verhinderung der versehentlichen Betätigung des Ein/Aus-Schalters kann das Werkzeug mit einem Arretierhebel ausgestattet sein. Drücken Sie zum Starten des Werkzeugs den Arretierhebel (in Richtung A) und betätigen Sie den Ein/Aus-Schalter (in Richtung B). Lassen Sie zum Ausschalten des Werkzeugs den Ein/Aus-Schalter los. Drücken Sie für den Dauerbetrieb des Werkzeugs den Arretierhebel (in Richtung A), betätigen Sie den Ein/Aus-Schalter (in Richtung B) und ziehen Sie dann den Arretierhebel (in Richtung C).

Zur Aufhebung der Arretierung müssen Sie den Ein/Aus-Schalter bis zum Anschlag betätigen (in Richtung B) und anschließend loslassen.

MONTAGE

ACHTUNG:

- Schalten Sie das Werkzeug stets aus und ziehen Sie den Netzstecker, bevor Sie irgendwelche Arbeiten am Werkzeug durchführen. (Abb. 2)

ACHTUNG:

- Wenn zur Erhöhung der Sicherheit die Scheibenabdeckung angebracht wird, ziehen Sie die beiden Sechskantschrauben mit einer Kraft von mehr als 10 Nm fest, um die Scheibenabdeckung ordnungsgemäß zu befestigen.

Montage und Demontage der Schleifscheibe

ACHTUNG:

- Stellen Sie vor der Montage der Schleifscheibe stets sicher, dass Zwischenlagen keine Abnormitäten wie z.B. Absplittierungen oder Risse aufweisen.
- Ein zu starkes Festziehen der Scheibe kann zum Bruch führen. Durch unzureichendes Festziehen kommt es zum Flattern. Ziehen Sie den Außenflansch ordnungsgemäß fest.
- Verwenden Sie die Schleifscheibe immer mit der Zwischenlage, die einen größeren Durchmesser hat als die Sicherungsmutter oder der Außenflansch oder der Innenflansch.

Nur für Werkzeuge mit Schutzabdeckung (länderspezifisch) (Abb. 3)

Öffnen Sie die Schutzabdeckung vor dem Montieren oder Entfernen der Schleifscheibe. Lösen Sie die Flügelschrauben auf beiden Seiten der Schutzabdeckung und öffnen Sie sie dann.

Schließen Sie die Schutzabdeckung nach dem Sichern der Schleifscheibe und ziehen Sie die Flügelschrauben ordnungsgemäß fest.

Für alle Werkzeuge

Typ A (Abb. 4)

Sicherungsmethode für Typ A (Abb. 5)

Setzen Sie den Schraubendreher in die Öffnung im Innenflansch ein. Greifen Sie Sicherungsmutter mit dem Sicherungsmutternschlüssel und drehen Sie sie in Richtung der Scheibenrotation, um die Sicherungsmutter zu lösen. Entfernen Sie die Mutter. Montieren Sie anschließend die Scheibe und ziehen Sie die Sicherungsmutter, wie in der Abbildung dargestellt, in Pfeilrichtung fest.

Typ B (Abb. 6)

Typ C (Abb. 7)

Sicherungsmethode für die Typen B und C (Abb. 8)

Setzen Sie den Schraubendreher in die Öffnung im Innenflansch ein. Greifen Sie die Sechskantmutter mit dem Schlüssel und drehen Sie sie in Richtung der Scheibenrotation, um die Sechskantmutter zu lösen. Entfernen Sie die Sechskantmutter und den Außenflansch. Montieren Sie dann die Schleifscheibe, den Außenflansch und die Sechskantmutter. Ziehen Sie die Sechskantmutter in Pfeilrichtung fest, wie in der Abbildung dargestellt.

BETRIEB

ACHTUNG:

- Üben Sie nur leichten Druck auf das Werkzeug aus. Übermäßiger Druck auf das Werkzeug verursacht ein schlechtes Schliffbild und eine Überlastung des Motors.
- Die Schleifscheibe dreht sich nach dem Ausschalten der Maschine noch weiter.
- Halten Sie das Werkzeug mit einer Hand am Schaltergriff und mit der anderen Hand am vorderen Griff fest, wenn Sie mit dem Werkzeug arbeiten. **(Abb. 9)**

Umhängeriemem (optionales Zubehör) (Abb. 10)

Ein längerer Betrieb des Schleifwerkzeuges wird, wie in der Abbildung dargestellt, durch die Verwendung des praktischen Umhängeriemens erleichtert. Legen Sie den Riemen einfach über Kopf oder Schulter, nachdem Sie ihn durch die Öse am Ende des Werkzeuggehäuses geführt haben.

WARTUNG

ACHTUNG:

- Schalten Sie das Gerät aus und ziehen Sie immer den Netzstecker, bevor Sie Inspektionen oder Wartungsarbeiten am Gerät vornehmen.
- Verwenden Sie zum Reinigen niemals Kraftstoffe, Benzin, Verdünnner, Alkohol oder ähnliches. Dies kann zu Verfärbungen, Verformungen oder Rissen führen. **(Abb. 11)**

Halten Sie das Werkzeug und die Belüftungsschlitze des Werkzeugs stets sauber. Reinigen Sie die Ventilationsöffnungen des Werkzeugs regelmäßig oder bei Beginn einer Verstopfung.

Montieren oder Entfernen des Staubfängers (optionales Zubehör)

ACHTUNG:

- Schalten Sie das Werkzeug stets aus und ziehen Sie den Stecker, bevor Sie die Staubfänger einsetzen oder entfernen.
- Andernfalls kann es zu einer Beschädigung des Werkzeugs oder zu Verletzungen kommen.
- Reinigen Sie die Staubfänger, wenn der Luftstrom durch die Staubfänger durch angesammelten Staub oder Fremdkörper behindert wird. Fortgesetzter Betrieb unter solchen Bedingungen kann zu einer Beschädigung des Werkzeugs führen.
- Wenn die Staubfänger beim Abnehmen gewaltsam nach oben gezogen werden, ohne zuvor die Raste A bzw. B entriegelt zu haben, kann der Rastenbereich beschädigt werden. **(Abb. 12)**

Die Staubfänger R/L werden jeweils so an den Griffen R/L angebracht, dass die oben gezeigten Seiten zum Werkzeug gewandt sind. **(Abb. 13)**

Zur Montage der Fänger müssen die Raste A und die Lamelle A vorsichtig in den Lüftungsschlitz A eingeführt werden.

Führen Sie Raste B in den Lüftungsschlitz B ein. **(Abb. 14)**

Zum Entfernen muss der Fänger mit Hilfe eines Schlitzschraubendrehers in der Nähe von Raste B angehoben werden.

Heben Sie ihn außerdem im Bereich der Raste A an.

HINWEIS:

Werden Staubfänger an den Modellen GS5000 und GS6000 angebracht, werden die Lüftungsschlitze über und unter dem Bürstenhalter nicht abgedeckt, diese Lüftungsschlitze sind jedoch staubdicht.

Ersetzen der Kohlebürsten (Abb. 15)

Wenn die Isolierspitze aus Kunstharz innerhalb der Kohlebürste mit dem Gleichrichter in Kontakt gerät, wird der Motor automatisch ausgeschaltet. Wenn dies eintritt, sollten beide Kohlebürsten ersetzt werden. Halten Sie die Kohlebürsten sauber und sorgen Sie dafür, dass die Bürsten locker in den Halterungen gleiten. Ersetzen Sie immer beide Kohlebürsten gleichzeitig. Verwenden Sie nur identische Kohlebürsten. **(Abb. 16)**

Nehmen Sie die Kappen der Bürstenhalter mit Hilfe eines Schraubendrehers ab. Entnehmen Sie die verbrauchten Kohlebürsten, setzen Sie neue Bürsten ein und bringen Sie die Bürstenhalterkappen wieder fest an.

Zur Gewährleistung von SICHERHEIT und ZUVERLÄSSIGKEIT des Produkts sollten Reparaturen, Wartungsarbeiten und Einstellungen nur durch von Makita autorisierte Servicecenter durchgeführt und ausschließlich Makita-Ersatzteile verwendet werden.

SONDERZUBEHÖR

ACHTUNG:

- Für das in diesem Handbuch beschriebene Makita-Gerät werden die folgenden Zubehör- und Zusatzteile empfohlen. Bei Verwendung anderer Zubehör- und Zusatzteile kann es zu Verletzungen kommen. Verwenden Sie Zubehör- und Zusatzteile nur für den vorgesehenen Zweck.

Informationen zu diesem Zubehör erhalten Sie von Ihrem Makita-Servicecenter.

- Umhängeriemem
- Staubfänger
- Inbusschlüssel
- Schlüsselhalter

HINWEIS:

- Einige der in der Liste aufgeführten Elemente sind dem Werkzeugpaket als Standardzubehör beigelegt. Diese können in den einzelnen Ländern voneinander abweichen.

Modell GS5000, GS6000

Geräusch

ENG905-1

Typischer A-bewerteter Schallpegel nach EN60745:

Schalldruckpegel (L_{pA}): 83 dB (A)

Schallleistungspegel (L_{WA}): 94 dB (A)

Abweichung (K): 3 dB (A)

Tragen Sie Gehörschutz!

Vibration

ENG900-1

Schwingungsgesamtwerte (Vektorsumme dreier Achsen)
nach EN60745:

Betriebsmodus : Oberflächenschleifen
Vibrationsemission ($a_{h,SG}$): 2,5 m/s² oder weniger
Abweichung (K): 1,5 m/s²

ENG902-1

- Der hier angegebene Wert für die erzeugten Schwingungen wurde gemäß dem genormten Testverfahren ermittelt und kann als Vergleich zu anderen Werkzeugen herangezogen werden.
- Der angegebene Wert für die erzeugten Schwingungen ist außerdem für eine vorbeugende Bewertung der Belastung zu verwenden.
- Der angegebene Wert für die erzeugten Schwingungen gilt, wenn das Elektrowerkzeug für den vorgesehenen Zweck verwendet wird. Wenn das Werkzeug für andere Zwecke verwendet wird, kann der Wert für die Schwingungsbelastung jedoch von dem hier aufgeführten Wert abweichen.

WARNUNG:

- Die Schwingungsbelastung kann bei tatsächlichem Gebrauch des Elektrowerkzeugs in Abhängigkeit von der Handhabung des Elektrowerkzeugs von dem hier aufgeführten Wert abweichen.
- Stellen Sie sicher, dass Schutzmaßnahmen für den Bediener getroffen werden, die auf den unter den tatsächlichen Arbeitsbedingungen zu erwartenden Belastungen beruhen (beziehen Sie alle Bestandteile des Arbeitsablaufs ein, also zusätzlich zu den Arbeitszeiten auch Zeiten, in denen das Werkzeug ausgeschaltet ist oder ohne Last läuft).

Nur für europäische Länder

ENH101-18

EG-Konformitätserklärung

Makita erklärt, dass die nachfolgende(n) Maschine(n):

Bezeichnung der Maschine(n):

Geradschleifer

Nummer/Typ des Modells: GS5000, GS6000

**den folgenden Richtlinien der Europäischen Union
genügt/genügen:**

2006/42/EG

Sie werden gemäß den folgenden Standards oder
Normen gefertigt:

EN60745

Die technischen Unterlagen gemäß 2006/42/EG sind
erhältlich von:

Makita, Jan-Baptist Vinkstraat 2, 3070, Belgien

1. 2. 2016



Yasushi Fukaya

Direktor

Makita, Jan-Baptist Vinkstraat 2, 3070, Belgien

ITALIANO (Istruzioni originali)

Spiegazione della vista generale

- | | | |
|-------------------------------|---|---|
| 1. Interruttore di accensione | 13. Cacciavite | 24. Accessorio coperchio antipolvere sinistro |
| 2. Leva di blocco | 14. Flangia interna | 25. Gancio B |
| 3. Chiave esagonale | 15. Chiave controdato | 26. Gancio A |
| 4. Bullone esagonale | 16. Dado esagonale | 27. Aletta A |
| 5. Controdado esagonale | 17. Flangia esterna (tipo convesso) | 28. Apertura di ventilazione A |
| 6. Serrare | 18. Flangia esterna (tipo piatto) | 29. Apertura di ventilazione B |
| 7. Allentare | 19. Apertura di ventilazione | 30. Commutatore |
| 8. Bullone ad alette | 20. Apertura di aspirazione | 31. Punta isolante |
| 9. Coperchio di supporto | 21. Manico destro | 32. Spazzola di carbone |
| 10. Controdado | 22. Accessorio coperchio antipolvere destro | 33. Coperchio del portaspazzola |
| 11. Disco di smerigliatura | 23. Manico sinistro | |

SPECIFICHE TECNICHE

Modello		GS5000	GS6000
Capacità massima dei dischi (diametro × spessore)		125 mm × 20 mm	150 mm × 20 mm
Filettatura mandrino		M14 o 1/2" (specifico per il paese)	
Velocità a vuoto (min ⁻¹)		5.600	
Lunghezza complessiva	Con coperchio di supporto	590 mm	590 mm
	Senza coperchio di supporto	588 mm	588 mm
Peso netto	Con coperchio di supporto	5,0 kg	5,2 kg
	Senza coperchio di supporto	4,9 kg	5,0 kg
Classe di sicurezza		□/II	

- Le caratteristiche tecniche riportate di seguito sono soggette a modifiche senza preavviso in virtù del nostro programma continuo di ricerca e sviluppo.
- Le caratteristiche tecniche possono differire da paese a paese.
- Peso determinato in conformità con la EPTA-Procedure 01/2003

Simboli

END202-8

Di seguito sono riportati i simboli utilizzati per l'apparecchio. È importante comprenderne il significato prima dell'uso.



..... Leggere il manuale di istruzioni.



..... ISOLAMENTO DOPPIO



..... Indossare gli occhiali di protezione.



..... Solo per Paesi UE

Non gettare le apparecchiature elettriche tra i rifiuti domestici. Secondo la Direttiva Europea sui rifiuti di apparecchiature elettriche ed elettroniche e la sua attuazione in conformità alle norme nazionali, le apparecchiature elettriche esauste devono essere raccolte separatamente, al fine di essere riciclate in modo eco-compatibile.

Uso previsto

ENE050-1

Questo utensile è stato progettato per smerigliare materiali ferrosi o per eseguire la sbavatura di pezzi fusi.

Alimentazione

ENF002-2

L'utensile deve essere collegato a una presa di corrente con la stessa tensione di quella indicata sulla targhetta e può funzionare soltanto con corrente alternata monofase. L'utensile è dotato di doppio isolamento, pertanto può essere usato anche con prese di corrente sprovviste della messa a terra.

Avvertenze generali di sicurezza per l'uso dell'utensile

GEA010-1

⚠ AVVERTENZA Leggere attentamente tutte le avvertenze di sicurezza e le istruzioni. La mancata osservanza delle istruzioni e delle avvertenze riportate di seguito potrebbe provocare scosse elettriche, incendi e/o lesioni gravi.

Conservare le avvertenze e le istruzioni per riferimenti futuri.

AVVERTENZE DI SICUREZZA PER LA SMERIGLIATRICE DIRITTA

GEB108-4

Avvertenze di sicurezza comuni per le operazioni di smerigliatura:

1. **Questo elettroutensile è costruito per essere utilizzato come smerigliatrice. Leggere tutti gli avvisi di sicurezza, le istruzioni, le illustrazioni e le caratteristiche tecniche fornite con questo utensile.** La mancata osservanza delle istruzioni riportate di seguito può provocare scosse elettriche, incendi e/o lesioni gravi.
2. **Non è consigliato eseguire con questo utensile operazioni quali carteggiatura, lucidatura, pulitura e taglio.** Le operazioni per cui l'utensile non è stato progettato possono creare un rischio e lesioni personali.
3. **Non utilizzare accessori non appositamente progettati e consigliati dal produttore dell'utensile.** Il semplice fissaggio dell'accessorio al proprio utensile non garantisce un funzionamento sicuro.
4. **La velocità nominale dell'accessorio deve essere almeno equivalente alla velocità massima contrassegnata sull'utensile.** Gli accessori che funzionano più velocemente della velocità nominale possono rompersi in più pezzi.
5. **Il diametro esterno e lo spessore dell'accessorio devono corrispondere ai limiti di capienza dell'utensile.** Gli accessori con dimensioni errate non possono essere custoditi o controllati adeguatamente.
6. **Il montaggio filettato degli accessori deve corrispondere alla filettatura del mandrino della smerigliatrice. Per gli accessori montati tramite flange, il foro del mandrino dell'accessorio deve corrispondere al diametro di collocazione della flangia.** Gli accessori che non corrispondono al supporto dell'utensile tenderanno a perdere l'equilibrio, vibrare eccessivamente e potrebbero causare la perdita di controllo.
7. **Non utilizzare un accessorio danneggiato. Prima di ogni uso, esaminare gli accessori come i dischi abrasivi, per individuare eventuali trucioli o rotture. Se l'utensile o l'accessorio cadono, controllare l'eventuale presenza di danni o installare un accessorio intatto. Dopo aver esaminato e installato un accessorio, scostarsi e allontanare eventuali persone presenti dal piano di rotazione dell'accessorio, quindi azionare l'utensile alla massima velocità a vuoto per un minuto.** Normalmente, gli accessori danneggiati si romperanno durante questo periodo di prova.
8. **Indossare l'equipaggiamento di protezione individuale. A seconda dell'applicazione, utilizzare uno schermo facciale, occhiali protettivi o di sicurezza. Se necessario, indossare una maschera antipolvere, guanti e un grembiule da officina in grado di fermare frammenti piccoli o abrasivi del pezzo in lavorazione.** La protezione degli occhi deve essere capace di arrestare i residui volanti generati dalle varie operazioni. La maschera antipolvere o il respiratore devono essere in grado di filtrare le particelle generate dalla propria attività. L'esposizione

prolungata al rumore ad alta intensità può causare la perdita dell'udito.

9. **Mantenere gli astanti a distanza di sicurezza dall'area di lavoro. Tutte le persone che entrano nella zona di lavoro devono indossare l'equipaggiamento di protezione individuale.** I frammenti di un pezzo o di un accessorio rotto possono volare via e provocare lesioni oltre l'area operativa immediata.
10. **Se vengono eseguite operazioni in cui l'accessorio di taglio può toccare fili nascosti o il cavo di alimentazione dell'utensile, impugnare l'utensile utilizzando solo i punti di presa isolati.** Se l'accessorio da taglio entra a contatto con un filo percorso da corrente, le parti metalliche esposte dell'utensile si troveranno anch'esse sotto tensione e potrebbero provocare scosse elettriche all'operatore.
11. **Posizionare il cavo lontano dell'accessorio rotante.** Se si perde il controllo, il cavo può tagliarsi o impigliarsi e la mano o il braccio potrebbero essere spinti nell'accessorio rotante.
12. **Non appoggiare mai l'utensile a terra se l'accessorio non è completamente fermo.** L'accessorio rotante può agganciare la superficie causando la perdita di controllo dell'utensile.
13. **Non azionare l'utensile quando viene trasportato a lato del proprio corpo.** In caso di contatto accidentale, l'accessorio rotante può impigliarsi nei vestiti provocando lesioni fisiche.
14. **Pulire regolarmente le aperture di ventilazione dell'utensile.** La ventola del motore attrarrà la polvere all'interno dell'alloggiamento e l'accumulo eccessivo di polvere metallica può causare pericoli elettrici.
15. **Non utilizzare l'utensile vicino a materiali infiammabili.** Le scintille possono provocare l'accensione di questi materiali.
16. **Non utilizzare accessori che richiedano refrigeranti liquidi.** L'utilizzo di acqua o altri refrigeranti liquidi può provocare elettrocuzione o scosse elettriche.

Contraccolpi e relative avvertenze

I contraccolpi sono una reazione improvvisa in caso di inceppamento di un disco mobile, una spazzola o qualunque altro accessorio. L'inceppamento causa un improvviso stallo dell'accessorio rotante che spinge a sua volta l'utensile in direzione opposta al verso di rotazione dell'accessorio, causandone il grippaggio.

Se un disco abrasivo si incastra in un pezzo, ad esempio, il bordo del disco inceppato può scavare la superficie del materiale causando l'innalzamento o l'espulsione del disco. Il disco potrebbe schizzare contro o lontano dall'operatore, a seconda della direzione di movimento del disco nel punto di inceppamento. In queste circostanze i dischi abrasivi possono anche rompersi. I contraccolpi sono determinati dall'uso improprio dell'utensile e/o da procedure o condizioni operative errate e si possono evitare adottando le precauzioni specifiche illustrate di seguito.

- a) **Stringere con forza l'utensile posizionando il proprio corpo e il braccio in modo da resistere alla forza del contraccolpo. Utilizzare sempre la maniglia ausiliaria, se in dotazione, per il massimo controllo in caso di reazione contro la coppia di torsione o i contraccolpi in fase di**

avviamento. Se vengono adottate le precauzioni adeguate, l'operatore può controllare le reazioni della coppia di torsione o le forze del contraccolpo.

b) **Non avvicinare le mani all'accessorio rotante.**

Potrebbe verificarsi un contraccolpo dell'accessorio sulle estremità del corpo.

c) **Se si verificano contraccolpi, non posizionare il corpo nel raggio di spostamento dell'utensile.** I contraccolpi spingeranno l'utensile nella direzione opposta al movimento del disco nel punto di inceppamento.

d) **Prestare particolare attenzione durante le operazioni su spigoli, bordi appuntiti e così via. Evitare di fare rimbalzare o inceppare l'accessorio.**

Gli spigoli, i bordi appuntiti o i rimbalzi tendono a far inceppare l'accessorio rotante provocando contraccolpi o perdita di controllo.

e) **Non collegare una lama per scolpire il legno munita di catena o una lama da taglio dentata.**

Queste lame tendono a creare frequenti contraccolpi e perdita di controllo.

Avvertenze di sicurezza specifiche per la smerigliatura:

a) **Utilizzare soltanto i tipi di dischi consigliati per l'utensile e la protezione specifica progettata per il disco selezionato.** I dischi non progettati per l'utensile non possono essere custoditi adeguatamente e sono pericolosi.

b) **La protezione deve essere fissata saldamente all'utensile e posizionata per la massima sicurezza, in modo che una parte minima del disco venga esposta verso l'operatore.** La protezione aiuta a proteggere l'operatore da frammenti di disco rotti e dal contatto accidentale con il disco e con scintille che potrebbero incendiare gli abiti.

c) **Utilizzare sempre flange del disco intatte con le dimensioni e la forma corrette per il disco selezionato.** Le flange corrette sorreggono adeguatamente il disco, riducendo la possibilità di rotture. Le flange dei dischi di taglio possono essere diverse dalle flange del disco di smerigliatura.

d) **Non utilizzare dischi usurati di utensili con dimensioni maggiori.** I dischi previsti per utensili più grandi non sono adatti per le velocità più elevate di un utensile più piccolo e possono scoppiare.

Avvertenze di sicurezza supplementari:

- Non utilizzare mai dischi depressi al centro o dischi abrasivi di taglio.**
- Fare attenzione a non danneggiare il mandrino, la flangia (soprattutto la superficie di installazione) o il controdado. Se queste parti vengono danneggiate, il disco potrebbe rompersi.**
- Verificare che il disco non tocchi il pezzo in lavorazione prima di accendere l'interruttore.**
- Prima di utilizzare l'utensile su un pezzo in lavorazione, lasciarlo funzionare a vuoto per qualche minuto. Prestare attenzione a vibrazioni e oscillazioni che potrebbero indicare difetti di installazione o il bilanciamento errato del disco.**
- Per la smerigliatura, usare la superficie specificata del disco.**

22. **Non lasciare l'utensile acceso. Azionare l'utensile solo quando viene tenuto in mano.**

23. **Non toccare il pezzo subito dopo il lavoro, poiché può raggiungere temperature elevate e provocare ustioni.**

24. **Osservare le istruzioni del produttore per il corretto montaggio e utilizzo dei dischi.**

Maneggiare e conservare i dischi con cura.

25. **Usare soltanto flange specifiche per questo utensile.**

26. **Accertarsi che il pezzo sia fissato stabilmente nei supporti.**

27. **Tenere presente che il disco continua a girare anche dopo aver spento l'utensile.**

28. **Se l'ambiente di lavoro è estremamente caldo o umido oppure contaminato da polvere conduttiva, usare un salvavita (30 mA) per garantire la sicurezza dell'operatore.**

29. **Non usare l'utensile su materiali che contengono amianto.**

30. **Accertarsi sempre di avere un equilibrio costante. Accertarsi che nessuno si trovi sotto all'attrezzo quando viene utilizzato in posizioni elevate.**

CONSERVARE QUESTE ISTRUZIONI.

⚠ AVVERTENZA:

NON lasciare che la familiarità acquisita con il prodotto (dovuta all'uso ripetuto) provochi l'inosservanza delle norme di sicurezza. L'USO IMPROPRIO o la mancata osservanza delle norme di sicurezza indicate in questo manuale di istruzioni possono provocare gravi danni alla persona.

DESCRIZIONE FUNZIONALE

⚠ ATTENZIONE:

- Prima di regolare o controllare le funzioni dell'utensile, verificare sempre di averlo spento e scollegato dall'alimentazione.

Azionamento dell'interruttore (Fig. 1)

⚠ ATTENZIONE:

- Prima di collegare l'utensile, controllare se l'interruttore di accensione funziona correttamente e ritorna in posizione "OFF" una volta rilasciato.

Per utensili con interruttore di blocco

⚠ ATTENZIONE:

- È possibile bloccare l'interruttore nella posizione "ON" per garantire comodità all'operatore durante l'uso prolungato dell'utensile. Prestare attenzione quando si blocca l'utensile nella posizione "ON" e mantenere una presa sicura.

Per avviare l'utensile, è sufficiente premere l'interruttore di accensione (nella direzione B). Rilasciare l'interruttore di accensione per spegnerlo. Per il funzionamento continuo, premere l'interruttore di accensione (nella direzione B) e spingere la levetta di blocco (nella direzione A). Per arrestare l'utensile mentre è in posizione di blocco, premere completamente l'interruttore di accensione (nella direzione B), quindi rilasciarlo.

Per utensili con sicura

La leva di blocco consente di evitare di azionare involontariamente l'interruttore di accensione. Per avviare l'utensile, spingere la leva di blocco (nella direzione A), quindi premere l'interruttore di accensione (nella direzione B). Rilasciare l'interruttore di accensione per spegnerlo.

Per utensili con interruttore di blocco e sicura

La leva di blocco consente di evitare di azionare involontariamente l'interruttore di accensione.

Per avviare l'utensile, spingere la leva di blocco (nella direzione A), quindi premere l'interruttore di accensione (nella direzione B). Rilasciare l'interruttore di accensione per spegnerlo.

Per il funzionamento continuo, spingere la levetta di blocco (nella direzione A), premere l'interruttore di accensione (nella direzione B) e tirare la levetta di blocco (nella direzione C).

Per arrestare l'utensile mentre è in posizione di blocco, premere completamente l'interruttore di accensione (nella direzione B), quindi rilasciarlo.

MONTAGGIO

⚠ ATTENZIONE:

- Prima di iniziare qualsiasi operazione sull'utensile, verificare sempre di averlo spento e scollegato dall'alimentazione. (Fig. 2)

⚠ ATTENZIONE:

- Quando il coperchio del disco è posizionato per ulteriore sicurezza, serrare i due bulloni esagonali con una forza superiore a 10 N.m per fissare correttamente il coperchio del disco.

Installazione o rimozione del disco di smerigliatura

⚠ ATTENZIONE:

- Prima di installare il disco di smerigliatura, controllare sempre che la parte del tampone non presenti anomalie quali trucioli o rotture.
- Un serraggio eccessivo del disco può causarne la rottura. Un serraggio insufficiente provocherà autovibrazioni. Serrare correttamente la flangia esterna.
- Utilizzare sempre il disco di smerigliatura con il tampone dal diametro maggiore rispetto al controdado o rispetto alla flangia esterna e alla flangia interna.

Solo per utensili con coperchio di supporto (dipende da paese a paese) (Fig. 3)

Prima di installare o rimuovere il disco di smerigliatura, aprire il coperchio di supporto. Allentare i bulloni ad alette su entrambi i lati del coperchio di supporto, quindi aprirlo. Dopo aver fissato il disco di smerigliatura, chiudere il coperchio di supporto, quindi fissare correttamente i bulloni ad alette.

Per tutti gli utensili

Tipo A (Fig. 4)

Metodo di fissaggio per il tipo A (Fig. 5)

Inserire un cacciavite nel foro della flangia interna. Afferrare il controdado con la chiave controdado, ruotando nella direzione di rotazione del disco per allentare il controdado. Rimuovere il controdado. Quindi, installare il disco e serrare il controdado nella direzione della freccia, come illustrato nella figura.

Tipo B (Fig. 6)

Tipo C (Fig. 7)

Metodo di fissaggio per i tipi B e C (Fig. 8)

Inserire un cacciavite nel foro della flangia interna. Afferrare il dado esagonale con la chiave, ruotando nella direzione di rotazione del disco per allentare il dado esagonale. Rimuovere il dado esagonale e la flangia esterna. Quindi, installare il disco, la flangia esterna e il dado esagonale. Serrare il dado esagonale nella direzione della freccia come mostrato nella figura.

USO

⚠ ATTENZIONE:

- Esercitare una leggera pressione sull'utensile. Una pressione eccessiva produce soltanto una rifinitura scarsa e sovraccarica il motore.
- Il disco di smerigliatura continua a girare anche dopo aver spento l'utensile.
- Quando si utilizza l'utensile, tenerlo saldamente posizionando una mano sulla maniglia con l'interruttore e l'altra mano sull'impugnatura anteriore. (Fig. 9)

Gancio (accessorio opzionale) (Fig. 10)

L'utilizzo continuo della smerigliatrice è facilitato dall'utilizzo del pratico gancio, come mostrato nella figura. Basta fare un cappio al cavo sulla testa o sulla spalla, dopo averlo fatto passare attraverso l'occhietto in cima all'alloggiamento dell'utensile.

MANUTENZIONE

⚠ ATTENZIONE:

- Prima di effettuare operazioni di ispezione e manutenzione sull'utensile, verificare sempre di averlo spento e scollegato dall'alimentazione.
- Evitare assolutamente di usare benzina, diluenti, solventi, alcol o sostanze simili. In caso contrario, potrebbero verificarsi scoloriture, deformazioni o incrinature. (Fig. 11)

L'utensile e le aperture di ventilazione devono essere mantenuti puliti. Pulire regolarmente le aperture di ventilazione dell'utensile o quando iniziano a essere ostruite.

Installazione o rimozione del coperchio antipolvere (accessorio opzionale)

⚠ ATTENZIONE:

- Prima di montare o smontare l'accessorio coperchio antipolvere accertarsi sempre che l'utensile sia spento e scollegato.

- In caso contrario, si potrebbe danneggiare l'utensile o subire lesioni personali.
- Pulire gli accessori coperchio antipolvere quando il flusso d'aria che li attraversa si ostruisce a causa della polvere o di corpi estranei. Se si continua ad utilizzarli in tali condizioni, potrebbero danneggiarsi.

- Durante la rimozione degli accessori coperchio antipolvere, forzarli senza sganciare i ganci A e B potrebbe provocare la rottura delle parti. (Fig. 12)

Gli accessori del coperchio antipolvere destro/sinistro vanno installati rispettivamente sui manici destro/sinistro con i lati mostrati sopra rivolti verso l'utensile. (Fig. 13)
Per installare gli accessori, inserire con cautela il gancio A e l'aletta A nell'apertura di ventilazione A.
Inserire il gancio B nell'apertura di ventilazione B. (Fig. 14)

Per rimuoverlo, sollevarlo inserendo la punta di un cacciavite piatto vicino al gancio B.
Sollevarlo anche vicino al gancio A.

NOTA:

Gli accessori del coperchio antipolvere installati su GS5000 e GS6000 non coprono le aperture di ventilazione sopra e sotto il supporto spazzola che è progettato con caratteristiche antipolvere.

Sostituzione delle spazzole in carbonio (Fig. 15)

Quando la punta isolante in resina all'interno della spazzola di carbonio è esposta al contatto del commutatore, il motore dell'utensile si spegne automaticamente. In questo caso, è necessario sostituire entrambe le spazzole di carbonio. Mantenere le spazzole in carbonio pulite e in grado di scivolare liberamente nei supporti. Le spazzole in carbonio devono essere sostituite contemporaneamente. Utilizzare solo spazzole in carbonio identiche. (Fig. 16)

Utilizzare un cacciavite per rimuovere i coperchi dei portaspazzola. Estrarre le spazzole in carbonio consumate, inserire le nuove spazzole e fissare i coperchi dei portaspazzola.

Per preservare la SICUREZZA e l'AFFIDABILITÀ del prodotto, qualsiasi riparazione o intervento di manutenzione e regolazione deve essere eseguito dai centri assistenza autorizzati Makita utilizzando sempre ricambi Makita.

ACCESSORI OPZIONALI

⚠ ATTENZIONE:

- Si consiglia l'uso dei seguenti accessori per l'utensile Makita descritto in questo manuale. L'uso di qualsiasi altro accessorio potrebbe provocare lesioni personali. Utilizzare gli accessori esclusivamente per l'uso dichiarato.

Per l'assistenza e per ulteriori informazioni su tali accessori, rivolgersi al centro assistenza Makita di zona.

- Gancio
- Coperchio antipolvere
- Chiave esagonale
- Supporto per chiavi

NOTA:

- Alcuni degli accessori elencati potrebbero essere inclusi nella confezione dell'utensile come accessori

standard. Gli accessori standard possono differire da paese a paese.

Modello GS5000, GS6000

Rumore

ENG905-1

Il tipico livello di rumore ponderato A è determinato in conformità alla norma EN60745:

Livello di pressione sonora (L_{pA}): 83 dB (A)

Livello di potenza sonora (L_{WA}): 94 dB (A)

Variazione (K): 3 dB (A)

Indossare una protezione acustica.

Vibrazioni

ENG900-1

Il valore totale delle vibrazioni (somma vettoriale triassiale) è determinato in conformità alla norma EN60745:

Modalità operativa: smerigliatura superficie

Emissione vibrazioni ($a_{h,SG}$): 2,5 m/s² o inferiore

Variazione (K): 1,5 m/s²

ENG902-1

- Il valore di emissione delle vibrazioni dichiarato è stato misurato in conformità con il metodo di test standard e può essere utilizzato per confrontare tra loro diversi utensili.
- Il valore di emissione delle vibrazioni dichiarato può anche essere utilizzato per stime preliminari dell'esposizione.
- Il valore dell'emissione delle vibrazioni dichiarato è utilizzato per le applicazioni principali dello strumento. Tuttavia, se lo strumento viene utilizzato per altre applicazioni, il valore dell'emissione delle vibrazioni potrebbe essere diverso.

⚠ AVVERTENZA:

- L'emissione delle vibrazioni durante l'uso effettivo dell'utensile elettrico può risultare diversa rispetto al valore dichiarato, in base alla modalità d'uso dell'utensile.
- Assicurarsi di individuare le necessarie misure di sicurezza per proteggere l'operatore in base a una stima dell'esposizione nelle condizioni reali di utilizzo (prendendo in considerazione tutte le fasi del ciclo operativo, come quante volte l'utensile viene spento e i periodi in cui rimane inattivo, oltre al tempo di avviamento).

Solo per i paesi europei

ENH101-18

Dichiarazione di conformità CE

Makita dichiara che le macchine seguenti:

Denominazione dell'utensile:

Smerigliatrice dritta

N. modello/Tipo: GS5000, GS6000

sono conformi alle seguenti direttive europee:

2006/42/EC

Sono prodotte in conformità agli standard o ai documenti standardizzati riportati di seguito:

EN60745

Il documento tecnico ai sensi della Direttiva europea
2006/42/EC è disponibile presso:

Makita, Jan-Baptist Vinkstraat 2, 3070, Belgio

1. 2. 2016

A handwritten signature in black ink, appearing to read 'Yasushi Fukaya'.

Yasushi Fukaya
Direttore

Makita, Jan-Baptist Vinkstraat 2, 3070, Belgio

NEDERLANDS (Originele instructies)

Verklaring van het onderdelenoverzicht

1. Aan/uit-schakelaar	12. As	23. Handgreep L
2. Vergrendelhendel	13. Schroevendraaier	24. Stofafdekking L
3. Inbussleutel	14. Binnenflens	25. Haak B
4. Inbusbout	15. Borgmoersleutel	26. Haak A
5. Zeskantborgmoer	16. Zeskantmoer	27. Rib A
6. Vastdraaien	17. Buitenflens (bolvormig type)	28. Luchtuitstroomopening A
7. Losdraaien	18. Buitenflens (vlak type)	29. Luchtuitstroomopening B
8. Vleugelbout	19. Luchtuitlaatopening	30. Collector
9. Steundeksel van beschermkap	20. Luchtinlaatopening	31. Isolerend uiteinde
10. Borgmoer	21. Handgreep R	32. Koolborstel
11. Slijpschijf	22. Stofafdekking R	33. Koolborsteldop

TECHNISCHE GEGEVENS

Model		GS5000	GS6000
Maximale schijfgrootte (diameter × dikte)		125 mm × 20 mm	150 mm × 20 mm
Asschroefdraad		M14 of 1/2" (afhankelijk van het land)	
Nullasttoerental (min ⁻¹)		5.600	
Totale lengte	Met steundeksel	590 mm	590 mm
	Zonder steundeksel	588 mm	588 mm
Nettogewicht	Met steundeksel	5,0 kg	5,2 kg
	Zonder steundeksel	4,9 kg	5,0 kg
Veiligheidsklasse		□/II	

- Als gevolg van ons doorlopende onderzoeks- en ontwikkelingsprogramma, zijn de technische gegevens van dit gereedschap onderhevig aan veranderingen zonder voorafgaande kennisgeving.
- De technische gegevens kunnen van land tot land verschillen.
- Gewicht volgens EPTA-procedure 01/2003

Symbolen

END202-8

Hieronder staan de symbolen die voor het gereedschap worden gebruikt. Zorg ervoor dat u weet wat ze betekenen alvorens de accu te gebruiken.



..... Lees de gebruiksaanwijzing.



..... DUBBEL GEÏSOLEERD



..... Draag een veiligheidsbril



..... Alleen voor EU-landen
Geef elektrisch gereedschap niet met het huisvuil mee!
Volgens de Europese richtlijn inzake oude elektrische en elektronische apparaten en de toepassing daarvan binnen de nationale wetgeving, dient gebruikt elektrisch gereedschap gescheiden te worden ingezameld en te worden afgevoerd naar een recycle bedrijf dat voldoet aan de geldende milieueisen.

Gebruiksdoelinden

ENE050-1

Het gereedschap is bedoeld voor het schuren van ferrometalen en het afbramen van gegoten metaaldelen.

Voeding

ENF002-2

Het gereedschap mag uitsluitend worden aangesloten op een voeding met dezelfde spanning als aangegeven op het typeplaatje en werkt alleen op enkele-fase wisselstroom. Het gereedschap is dubbel geïsoleerd en mag derhalve ook op een niet-geaard stopcontact worden aangesloten.

Algemene veiligheidswaarschuwingen voor elektrisch gereedschap

GEA010-1



WAARSCHUWING Lees alle veiligheidswaarschuwingen en alle instructies. Het niet volgen van de waarschuwingen en instructies kan leiden tot elektrische schokken, brand en/of ernstig letsel.

Bewaar alle waarschuwingen en instructies om in de toekomst te kunnen raadplegen.

VEILIGHEIDSWAARSCHUWINGEN SPECIFIEK VOOR EEN RECHTE SLIJPMACHINE

GEB108-4

Gemeenschappelijke veiligheidswaarschuwingen voor slijpwerkzaamheden:

- 1. Dit elektrisch gereedschap is bedoeld voor gebruik als slijpmachine. Lees alle veiligheidswaarschuwingen, instructies, afbeeldingen en technische gegevens die bij dit elektrisch gereedschap worden geleverd.** Als u nalaat alle onderstaande instructies te volgen, kan dit leiden tot een elektrische schok, brand en/of ernstig letsel.
- 2. Wij adviseren u werkzaamheden zoals schuren, draadborstelen, polijsten of doorslijpen niet uit te voeren met dit elektrisch gereedschap.** Werkzaamheden waarvoor dit elektrisch gereedschap niet is bedoeld kunnen gevaarlijke situaties opleveren en tot persoonlijk letsel leiden.
- 3. Gebruik geen accessoires die niet specifiek zijn ontworpen en aanbevolen door de fabrikant van het gereedschap.** Ook wanneer het accessoire kan worden bevestigd op uw elektrisch gereedschap, is een veilige werking niet gegarandeerd.
- 4. Het nominaal toerental van het accessoire moet minstens gelijk zijn aan het maximumtoerental vermeld op het elektrisch gereedschap.** Accessoires die met een hoger toerental draaien dan hun nominaal toerental kunnen stuk breken en in het rond vliegen.
- 5. De buitendiameter en de dikte van het accessoire moet binnen het capaciteitsbereik van het elektrisch gereedschap vallen.** Accessoires met verkeerde afmetingen kunnen niet afdoende worden afgeschermd of beheerst.
- 6. Als accessoires met schroefdraadbevestiging worden aangebracht, moet de schroefdraad overeenkomen met de schroefdraad op de as van de slijpmachine. Als accessoires met flensbevestiging worden aangebracht, moet het asgat van het accessoire overeenkomen met de diameter van de pasrand op de flens.** Accessoires die niet overeenkomen met de bevestigingshardware van het elektrisch gereedschap, zullen niet gebalanceerd draaien en buitensporig trillen, en kunnen leiden tot verlies van controle over het gereedschap.
- 7. Gebruik nooit een beschadigd accessoire. Inspecteer het accessoire vóór ieder gebruik, bijvoorbeeld een slijpschijf op ontbrekende schijfjes en barsten. Nadat het elektrisch gereedschap is gevallen, inspecteert u het op schade of monteert u een onbeschadigd accessoire. Na inspectie en montage van een accessoire, zorgt u ervoor dat u en omstanders niet in het rotatie vlak van het accessoire staan, en laat u het elektrisch gereedschap draaien op het maximaal, onbelast toerental gedurende één minuut.** Beschadigde accessoires breken normaal gesproken in stukken gedurende deze testduur.
- 8. Gebruik persoonlijke veiligheidsmiddelen. Afhankelijk van de toepassing gebruikt u een spatscherm, een beschermende bril of een**

veiligheidsbril. Al naar gelang van toepassing draagt u een stofmasker, gehoorbeschermers, handschoenen en een werkschort die in staat zijn kleine stukjes slijpsel of werkstukfragmenten te weerstaan. De oogbescherming moet in staat zijn rondvliegend afval te stoppen dat ontstaat bij de diverse werkzaamheden. Het stofmasker of ademhalingsapparaat moet in staat zijn deeltjes te filteren die ontstaat bij de werkzaamheden. Langdurige blootstelling aan zeer intens geluid kan leiden tot gehoorbeschadiging.

- 9. Houd omstanders op veilige afstand van het werkgebied. Iedereen die zich binnen het werkgebied begeeft, moet persoonlijke veiligheidsmiddelen gebruiken.** Fragmenten van het werkstuk of van een uiteengevallen accessoire kunnen rondvliegen en letsel veroorzaken buiten de onmiddellijke werkomgeving.
- 10. Houd het elektrisch gereedschap uitsluitend vast aan het geïsoleerde oppervlak van de handgrepen wanneer u werkt op plaatsen waar het slijpaccessoire met verborgen bedrading of zijn eigen snoer in aanraking kan komen.** Wanneer het accessoire in aanraking komen met onder spanning staande draden, zullen de niet-geïsoleerde metalen delen van het gereedschap onder spanning komen te staan zodat de gebruiker een elektrische schok kan krijgen.
- 11. Houd het snoer goed uit de buurt van het ronddraaiende accessoire.** Als u de controle verliest over het gereedschap, kan het snoer worden doorgesneden of bekneld raken, en kan uw hand of arm tegen het ronddraaiende accessoire worden aangetrokken.
- 12. Leg het elektrisch gereedschap nooit neer voordat het accessoire volledig tot stilstand is gekomen.** Het ronddraaiende accessoire kan de ondergrond pakken zodat u de controle over het elektrisch gereedschap verliest.
- 13. Laat het elektrisch gereedschap niet draaien terwijl u het naast u draagt.** Als het ronddraaiende accessoire u per ongeluk raakt, kan het verstrikt raken in uw kleding waardoor het accessoire in uw lichaam wordt getrokken.
- 14. Maak de ventilatieopeningen van het gereedschap regelmatig schoon.** De ventilator van de motor zal het stof de behuizing in trekken, en een grote opeenhoping van metaalslijpsel kan leiden tot elektrisch gevaarlijke situaties.
- 15. Gebruik het elektrisch gereedschap niet in de buurt van brandbare materialen.** Vonken kunnen deze materialen doen ontvlammen.
- 16. Gebruik geen accessoires die met vloeistof moeten worden gekoeld.** Het gebruik van water of andere vloeibare koelmiddelen kan leiden tot elektrocutie of elektrische schokken.

Terugslag en aanverwante waarschuwingen

Terugslag is een plotselinge reactie op een beknelde of vastgelopen draaiende schijf, rugschijf, draadborstel of enig ander accessoire. Beknellen of vastlopen veroorzaakt een snelle stilstand van het draaiende accessoire dat op zijn beurt ertoe leidt dat het elektrisch gereedschap zich ongecontroleerd beweegt in de

tegenovergestelde richting van de draairichting van het accessoire op het moment van vastlopen. Bijvoorbeeld, als een slijpschijf bekneld raakt of vastloopt in het werkstuk, kan de rand van de schijf die het beknellingspunt ingaat, zich invreten in het oppervlak van het materiaal waardoor de schijf eruit klimt of eruit slaat. De schijf kan daarbij naar de gebruiker toe of weg springen, afhankelijk van de draairichting van de schijf op het beknellingspunt. Slijpschijven kunnen in dergelijke situaties ook breken.

Terugslag is het gevolg van misbruik van het elektrisch gereedschap en/of onjuiste gebruikspcedures of -omstandigheden, en kan worden voorkomen door goede voorzorgsmaatregelen te treffen, zoals hieronder vermeld:

- a) **Houd het gereedschap stevig vast en houdt uw armen en lichaam zodanig dat u in staat bent een terugslag op te vangen. Gebruik altijd de extra handgreep (indien aanwezig) voor een maximale controle over het gereedschap in geval van terugslag en koppelreactie bij het starten.** De gebruiker kan een terugslag of de koppelreactie opvangen indien de juiste voorzorgsmaatregelen worden getroffen.
- b) **Plaats uw hand nooit in de buurt van het draaiende accessoire.** Het accessoire kan terugslaan over uw hand.
- c) **Plaats uw lichaam niet in het gebied waar het elektrisch gereedschap naar toe gaat wanneer een terugslag optreedt.** Een terugslag zal het gereedschap bewegen in de tegenovergestelde richting van de draairichting van de schijf op het moment van beknellen.
- d) **Wees bijzonder voorzichtig bij het werken met hoeken, scherpe randen, enz. Voorkom dat het accessoire springt of bekneld raakt.** Hoeken, scherpe randen of springen veroorzaken vaak beknellen van het draaiende accessoire wat leidt tot terugslag of verlies van controle over het gereedschap.
- e) **Bevestig geen houtbewerkingsblad van een zaagketting of getand zaagblad.** Dergelijke accessoires leiden vaak tot terugslag of verlies van controle over het gereedschap.

Veiligheidswaarschuwingen specifiek voor slijpwerkzaamheden:

- a) **Gebruik uitsluitend schijven van het type aanbevolen voor uw elektrisch gereedschap en de specifieke beschermkap voor de te gebruiken schijf.** Schijven waarvoor het elektrisch gereedschap niet is ontworpen, kunnen niet goed worden afgeschermd en zijn niet veilig.
- b) **De beschermkap moet stevig worden vastgezet aan het elektrisch gereedschap en in de maximaal beschermende stand worden gezet zodat het kleinst mogelijke deel van de schijf is blootgesteld in de richting van de gebruiker.** De beschermkap helpt de gebruiker te beschermen tegen afgebroken stukjes van de schijf, het per ongeluk aanraken van de schijf en vonken die kleding kunnen doen ontvlammen.
- c) **Gebruik altijd onbeschadigde schijfflenzen van de juiste afmetingen en vorm voor de te gebruiken schijf.** Een goede schijfflens ondersteunt de schijf en verkleint daarmee de kans op het breken

van de schijf. Flenzen voor doorslijpschijven kunnen verschillen van flenzen voor slijpschijven.

d) **Gebruik geen afgesleten schijven van grotere elektrische gereedschappen.** Schijven die zijn bedoeld voor grotere elektrische gereedschappen zijn niet geschikt voor de hogere snelheid van een kleiner elektrisch gereedschap en kunnen in stukken breken.

Aanvullende veiligheidswaarschuwingen:

17. **Gebruik nooit schijven met een verzonken middengat of doorslijpschijven.**
18. **Let erop dat u de as, de flens (met name de montagekant) en de borgmoer niet beschadigt. Als deze onderdelen beschadigd raken, kan de schijf breken.**
19. **Zorg ervoor dat de schijf niet in aanraking is met het werkstuk voordat u het gereedschap hebt ingeschakeld.**
20. **Laat het gereedschap een tijdje draaien voordat u het op het werkstuk gebruikt. Controleer op trillingen of schommelingen die op onjuiste montage of een slecht uitgebalanceerde schijf kunnen wijzen.**
21. **Gebruik de aangegeven kant van de schijf om mee te slijpen.**
22. **Laat het gereedschap niet ingeschakeld liggen. Bedien het gereedschap alleen wanneer u het vasthoudt.**
23. **Raak de schijf niet onmiddellijk na gebruik aan. Deze kan bijzonder heet zijn en brandwonden op uw huid veroorzaken.**
24. **Houd u aan de instructies van de fabrikant voor juiste montage en gebruik van de schijven. Behandel en bewaar de schijven zorgvuldig.**
25. **Gebruik uitsluitend flenzen die geschikt zijn voor dit gereedschap.**
26. **Controleer of het werkstuk goed wordt ondersteund.**
27. **Wees erop bedacht dat de schijf blijft doordraaien nadat het gereedschap is uitgeschakeld.**
28. **Als de werkruimte bijzonder heet en vochtig is, of sterk vervuild is met geleidend stof, gebruik dan een kortsluitonderbreker (30 mA) om de veiligheid van de gebruiker te garanderen.**
29. **Gebruik het gereedschap niet op materiaal dat asbest bevat.**
30. **Zorg er altijd voor dat u stevig staat. Controleer dat er niemand onder u staat wanneer u het gereedschap op een hoge plaats gebruikt.**

BEWAAR DEZE INSTRUCTIES

⚠ WAARSCHUWING:

Laat u NIET misleiden door een vals gevoel van comfort en bekendheid met het gereedschap (na veelvuldig gebruik) en neem alle veiligheidsvoorschriften van het betreffende product altijd strikt in acht. **VERKEERD GEBRUIK** of het niet volgen van de veiligheidsinstructies in deze gebruiksaanwijzing kan leiden tot ernstig persoonlijk letsel.

BESCHRIJVING VAN DE FUNCTIES

LET OP:

- Controleer altijd of het gereedschap is uitgeschakeld en de stekker uit het stopcontact is getrokken alvorens de functies van het gereedschap te controleren of af te stellen.

Aan-uitschakelaar (zie afb. 1)

LET OP:

- Controleer altijd, voordat u de stekker in het stopcontact steekt, of de aan/uit-schakelaar op de juiste manier schakelt en weer terugkeert naar de uitstand nadat deze is losgelaten.

Voor gereedschappen met een aan-vergrendeling

LET OP:

- De aan/uit-schakelaar kan worden vergrendeld in de aan-stand ten behoeve van het gebruikersgemak bij langdurig gebruik. Wees voorzichtig wanneer het gereedschap in de aan-stand is vergrendeld en houd het gereedschap stevig vast.

Om het gereedschap in te schakelen, knijpt u gewoon de aan/uit-schakelaar in (in de richting van pijl B). Laat de aan/uit-schakelaar los om het gereedschap te stoppen. Voor continue werking knijpt u de aan/uit-schakelaar in (in de richting van pijl B) en duwt u vervolgens tegen de vergrendelhendel (in de richting van pijl A). Om vanuit de vergrendelde werking het gereedschap te stoppen, knijpt u de aan/uit-schakelaar helemaal in (in de richting van pijl B) en laat u deze vervolgens weer los.

Voor gereedschappen met een uit-vergrendeling

Om te voorkomen dat de aan/uit-schakelaar per ongeluk wordt bediend, is een vergrendelhendel aangebracht. Om het gereedschap te starten, duwt u tegen de vergrendelhendel (in de richting van pijl A) en knijpt u vervolgens de aan/uit-schakelaar in (in de richting van pijl B). Laat de aan/uit-schakelaar los om het gereedschap te stoppen.

Voor gereedschappen met een aan-vergrendeling en een uit-vergrendeling

Om te voorkomen dat de aan/uit-schakelaar per ongeluk wordt bediend, is een vergrendelhendel aangebracht. Om het gereedschap te starten, duwt u tegen de vergrendelhendel (in de richting van pijl A) en knijpt u vervolgens de aan/uit-schakelaar in (in de richting van pijl B). Laat de aan/uit-schakelaar los om het gereedschap te stoppen.

Voor continue werking, duwt u tegen de vergrendelhendel (in de richting van pijl A), knijpt u de aan/uit-schakelaar in (in de richting van pijl B), en trekt u vervolgens de vergrendelhendel (in de richting van pijl C).

Om vanuit de vergrendelde werking het gereedschap te stoppen, knijpt u de aan/uit-schakelaar helemaal in (in de richting van pijl B) en laat u deze vervolgens weer los.

ONDERDELEN AANBRENGEN/ VERWIJDEREN

LET OP:

- Controleer altijd of het gereedschap is uitgeschakeld en de stekker uit het stopcontact is getrokken alvorens enige werk aan het gereedschap uit te voeren (zie afb. 2).

LET OP:

- Als de beschermkap om veiligheidsredenen is aangebracht, draait u de twee inbusbouten vast met een koppel van meer dan 10 Nm om de beschermkap stevig vast te zetten.

De slijpschijf aanbrengen en verwijderen

LET OP:

- Voordat u de slijpschijf aanbrengt, controleert u altijd of het papieren etiket geen abnormaliteiten vertoont, zoals ontbrekende schilfers of barsten.
- Als de schijf te vast wordt aangedraaid, kan deze uiteen barsten. Als de schijf onvoldoende wordt vastgedraaid, kan deze snel gaan wiebelen. Draai de buitenflens goed vast.
- Gebruik altijd een slijpschijf met een papieren etiket met een grotere diameter dan de borgmoer of de buitenflens en de binnenflens.

Alleen voor gereedschappen met een steundeksel op de beschermkap (afhankelijk van het land) (zie afb. 3)

Voordat u een slijpschijf kunt aanbrengen of verwijderen, moet u het steundeksel van de beschermkap open maken. Draai de vleugelbouten los aan beide zijden van het steundeksel en open dit vervolgens. Nadat de slijpschijf is aangebracht, sluit u het steundeksel en draait u de vleugelbouten goed vast.

Voor alle gereedschappen

Type A (zie afb. 4)

Bevestigingsmethode voor type A (zie afb. 5)

Steek een schroevendraaier in het gat in de binnenflens. Zet de borgmoersleutel op de borgmoer en draai hem in de draairichting van de schijf om de borgmoer los te draaien. Verwijder de borgmoer. Breng de schijf aan en draai de borgmoer vast in de richting van de pijl, zoals aangegeven in de afbeelding.

Type B (zie afb. 6)

Type C (zie afb. 7)

Bevestigingsmethode voor type B en C (zie afb. 8)

Steek een schroevendraaier in het gat in de binnenflens. Zet de moersleutel op de zeskantmoer en draai hem in de draairichting van de schijf om de zeskantmoer los te draaien. Verwijder de zeskantmoer en buitenflens. Breng daarna de schijf, buitenflens en zeskantmoer aan. Draai de zeskantmoer in de richting van de pijl, zoals aangegeven in de afbeelding.

BEDIENING

LET OP:

- Oefen slechts lichte druk uit op het gereedschap. Een te hoge druk op het gereedschap leidt slechts tot een slecht resultaat en overbelasting van de motor.
- De slijpschijf blijft draaien nadat het gereedschap is uitgeschakeld.
- Houd het gereedschap stevig vast met één hand aan de schakelaarhandgreep en de andere hand aan de voorhandgreep tijdens het gebruik van het gereedschap (zie afb. 9).

Draagkoord (los verkrijgbaar) (zie afb. 10)

Continu gebruik van de slijpmachine wordt gemakkelijker door gebruik te maken van het handige draagkoord, zoals aangegeven in de afbeelding. Sla het draagkoord gewoon rond uw nek of schouder nadat u hem door het oog op de bovenkant van de behuizing van het gereedschap hebt gelust.

ONDERHOUD

LET OP:

- Zorg er altijd voor dat het gereedschap is uitgeschakeld en de stekker uit het stopcontact is getrokken, voordat u een inspectie of onderhoud uitvoert.
- Gebruik nooit benzine, wasbenzine, thinner, alcohol, enz. Dit kan leiden tot verkleuren, vervormen of barsten (zie afb. 11).

Het gereedschap en de ventilatieopeningen moeten schoon gehouden worden. Maak de ventilatieopeningen van het gereedschap regelmatig schoon of zodra de ventilatieopeningen verstopt dreigen te raken.

Stofafdekking aanbrengen en verwijderen (los verkrijgbaar)

LET OP:

- Controleer altijd of het gereedschap is uitgeschakeld en de stekker uit het stopcontact is getrokken alvorens de stofafdekkingen aan te brengen of te verwijderen.
- Als u dit niet doet, kan dit leiden tot beschadiging van het gereedschap of persoonlijk letsel.
- Maak de stofafdekkingen schoon wanneer de luchtstroming door de stofafdekkingen gehinderd wordt door opeengehoopt stof of andere verontreinigingen. Als u in een dergelijke situatie het gereedschap blijft gebruiken, kan het beschadigd raken.
- Als u de stofafdekkingen wilt verwijderen door ze omhoog te trekken zonder de haken A en B eerst los te maken, kunnen de haken afbreken (zie afb. 12).

De stofafdekkingen R en L dienen te worden aangebracht op de handgrepen R respectievelijk L, zodanig dat de hierboven afgebeelde zijden naar het gereedschap zijn gericht (zie afb. 13).

Om de stofafdekkingen aan te brengen, steekt u haak A en rib A voorzichtig in luchtuitstroomopening A.

Steek haak B in luchtuitstroomopening B (zie afb. 14).

Om de stofafdekking te verwijderen, steekt u een platkopschroevendraaier in de opening naast haak B en tilt u de stofafdekking op.

Til de stofafdekking ook op bij haak A.

OPMERKING:

Stofafdekkingen aangebracht op de modellen GS5000 en GS6000 bedekken niet de luchtuitstroomopeningen boven en onder de koolborsteldoppen omdat deze stofdicht zijn ontworpen.

De koolborstels vervangen (zie afb. 15)

Wanneer het isolerende uiteinde binnenin de koolborstel bloot ligt en de collector raakt, schakelt deze automatisch de motor uit. Wanneer dit gebeurt, moeten beide koolborstels worden vervangen. Houd de koolborstels schoon en zorg ervoor dat ze vrij kunnen bewegen in de houders. Beide koolborstels dienen tegelijkertijd te worden vervangen. Gebruik alleen identieke koolborstels (zie afb. 16).

Gebruik een schroevendraaier om de koolborsteldoppen te verwijderen. Haal de versleten koolborstels eruit, plaats de nieuwe erin, en zet de koolborsteldoppen goed vast. Om de VEILIGHEID en BETROUWBAARHEID van het gereedschap te handhaven, dienen alle reparaties, onderhoud en afstellingen te worden uitgevoerd door een erkend Makita-servicecentrum, en altijd met gebruikmaking van originele Makita-ervangingsonderdelen.

VERKRIJGBARE ACCESSOIRES

LET OP:

- Deze accessoires of hulpstukken worden aanbevolen voor gebruik met het Makita-gereedschap dat in deze gebruiksaanwijzing wordt beschreven. Het gebruik van andere accessoires of hulpstukken kan gevaar voor persoonlijk letsel opleveren. Gebruik de accessoires of hulpstukken uitsluitend voor de aangegeven gebruiksdoeleinden.

Mocht u meer informatie willen hebben over deze accessoires, dan kunt u contact opnemen met uw plaatselijke Makita-servicecentrum.

- Draagkoord
- Stofafdekking
- Inbussleutel
- Gereedschaphouder

OPMERKING:

- Sommige items op de lijst kunnen zijn inbegrepen in de doos van het gereedschap als standaard toebehoren. Zij kunnen van land tot land verschillen.

Modellen GS5000 en GS6000

Geluid ENG905-1

De typische, A-gewogen geluidsniveaus zijn gemeten volgens EN60745:

Geluidsdrukkniveau (L_{pA}): 83 dB (A)

Geluidsvermogeniveau (L_{WA}): 94 dB (A)

Onzekerheid (K): 3 dB (A)

Draag gehoorbescherming.

Trillingen

ENG900-1

De totale trillingswaarde (triaxiale vectorsom) zoals vastgesteld volgens EN60745:

Gebruikstoepassing: slijpen van oppervlakken

Trillingsemisatie ($a_{h,SG}$): 2,5 m/s² of minder

Onzekerheid (K): 1,5 m/s²

- De opgegeven trillingsemisiewaarde is gemeten volgens de standaardtestmethode en kan worden gebruikt om dit gereedschap te vergelijken met andere gereedschappen.
- De opgegeven trillingsemisiewaarde kan ook worden gebruikt voor een beoordeling vooraf van de blootstelling.
- De opgegeven trillingsemisiewaarde wordt gebruikt bij veel toepassingen van het elektrisch gereedschap. Echter, indien het elektrisch gereedschap wordt gebruikt bij andere toepassingen, dan kan de trillingsemisiewaarde anders zijn.

⚠ WAARSCHUWING:

- De trillingsemisie tijdens het gebruik van het elektrisch gereedschap in de praktijk kan verschillen van de opgegeven trillingsemisiewaarde afhankelijk van de manier waarop het gereedschap wordt gebruikt.
- Zorg ervoor dat veiligheidsmaatregelen worden getroffen ter bescherming van de operator die zijn gebaseerd op een schatting van de blootstelling onder praktijkomstandigheden (rekening houdend met alle fasen van de bedrijfscyclus, zoals de tijdsduur gedurende welke het gereedschap is uitgeschakeld en stationair draait, naast de ingeschakelde tijdsduur).

Alleen voor Europese landen

ENH101-18

EU-verklaring van conformiteit

Makita verklaart dat de volgende machine(s):

Aanduiding van de machine:

Rechte slijpmachine

Modelnr./Type: GS5000, GS6000

Voldoen aan de volgende Europese richtlijnen:

2006/42/EG

Deze zijn gefabriceerd in overeenstemming met de volgende normen of genormaliseerde documenten:

EN60745

Het technische bestand volgens 2006/42/EG is verkrijgbaar bij:

Makita, Jan-Baptist Vinkstraat 2, 3070, België

1. 2. 2016



Yasushi Fukaya
Directeur

Makita, Jan-Baptist Vinkstraat 2, 3070, België

ESPAÑOL (Instrucciones originales)

Explicación de los dibujos

- | | | |
|-------------------------------|---|---|
| 1. Interruptor disparador | 13. Destornillador | 24. Accesorio de cubierta contra el polvo izquierdo |
| 2. Palanca de bloqueo | 14. Brida interior | 25. Gancho B |
| 3. Llave Allen | 15. Llave de la contratuerca | 26. Gancho A |
| 4. Perno hexagonal | 16. Tuerca hexagonal | 27. Varilla A |
| 5. Tuerca del perno hexagonal | 17. Brida exterior (tipo convexo) | 28. Orificio de ventilación A |
| 6. Apretar | 18. Brida exterior (tipo plano) | 29. Orificio de ventilación B |
| 7. Aflojar | 19. Salida de ventilación | 30. Conmutador |
| 8. Tornillo de mariposa | 20. Entrada de ventilación | 31. Punta aislante |
| 9. Cubierta de soporte | 21. Asidero derecho | 32. Escobilla de carbón |
| 10. Contratuerca | 22. Accesorio de cubierta contra el polvo derecho | 33. Tapa del portaescobillas |
| 11. Disco de esmerilar | 23. Asidero izquierdo | |

ESPECIFICACIONES

Modelo		GS5000	GS6000
Capacidad máxima del disco (diámetro × grosor)		125 mm × 20 mm	150 mm × 20 mm
Rosca del husillo		M14 o 1/2" (específico del país)	
Velocidad en vacío (min ⁻¹)		5.600	
Longitud total	Con cubierta de soporte	590 mm	590 mm
	Sin cubierta de soporte	588 mm	588 mm
Peso neto	Con cubierta de soporte	5,0 kg	5,2 kg
	Sin cubierta de soporte	4,9 kg	5,0 kg
Clase de seguridad		□/II	

- Debido a nuestro programa continuo de investigación y desarrollo, las especificaciones aquí descritas están sujetas a cambios sin previo aviso.
- Las especificaciones pueden ser diferentes de un país a otro.
- Peso de acuerdo con el procedimiento EPTA 01/2003

Símbolos

END202-8

Se utilizan los siguientes símbolos para el equipo.

Asegúrese de que comprende su significado antes del uso.



..... Lea el manual de instrucciones.



..... DOBLE AISLAMIENTO



..... Utilice gafas de seguridad.



..... Sólo para países de la Unión Europea
 ¡No deseche los aparatos eléctricos junto con los residuos domésticos!
 De conformidad con la Directiva Europea sobre residuos de aparatos eléctricos y electrónicos y su aplicación de acuerdo con la legislación nacional, las herramientas eléctricas cuya vida útil haya llegado a su fin se deberán recoger por separado y trasladar a una planta de reciclaje que cumpla con las exigencias ecológicas.

Uso previsto

ENE050-1

Esta herramienta está diseñada para esmerilar materiales ferrosos o desbarbar piezas moldeadas.

Alimentación

ENF002-2

La herramienta debe conectarse solamente a una fuente de alimentación de la misma tensión que la indicada en la placa de características, y sólo puede funcionar con corriente alterna monofásica. La herramienta cuenta con un doble aislamiento y puede, por lo tanto, usarse también en tomacorrientes sin conductor de tierra.

Advertencias de seguridad generales para herramientas eléctricas

GEA010-1

⚠ ADVERTENCIA Lea todas las advertencias de seguridad y todas las instrucciones. La no observancia de las advertencias y las instrucciones puede provocar descargas eléctricas, incendios y/o lesiones graves.

Guarde todas las advertencias e instrucciones para futuras consultas.

ADVERTENCIAS DE SEGURIDAD DEL ESMERIL RECTO

GEB108-4

Advertencias de seguridad para operaciones de esmerilado:

1. **Esta herramienta eléctrica está prevista para ser utilizada como esmeril. Lea todas las advertencias de seguridad, instrucciones, ilustraciones y especificaciones que acompañan a esta herramienta eléctrica.** No seguir todas las instrucciones que se indican a continuación podría provocar una descarga eléctrica, incendio y/o heridas graves.
2. **No se recomienda utilizar esta herramienta eléctrica para operaciones tales como lijar, cepillar con alambre, pulir o cortar.** El uso de la herramienta eléctrica en aplicaciones para las cuales no ha sido diseñada puede generar peligros y ocasionar daños personales.
3. **No utilice accesorios diferentes de aquellos que el fabricante haya diseñado o recomendado especialmente para esta herramienta.** El hecho de que el accesorio pueda montarse en la herramienta eléctrica no garantiza que sea seguro.
4. **Las revoluciones nominales del accesorio deben ser como mínimo iguales a la velocidad máxima indicada en la herramienta eléctrica.** Si un accesorio se mueve a una velocidad mayor a la admisible, podría romperse y salir despedido.
5. **El diámetro exterior y el grosor del accesorio deben encontrarse dentro de la capacidad de la herramienta eléctrica.** Los accesorios de tamaño incorrecto no pueden protegerse ni controlarse correctamente.
6. **La rosca de los accesorios que se montan debe coincidir con la rosca del husillo del esmeril. Para accesorios montados mediante bridas, el agujero del eje del accesorio debe encajar en el diámetro de la brida.** Los accesorios que no se ajustan correctamente a las piezas de montaje de la herramienta giran descentrados, vibran en exceso y pueden hacer perder el control de la herramienta.
7. **No utilice accesorios dañados. Antes de empezar a utilizar los accesorios, tales como discos abrasivos, compruebe que no estén astillados ni agrietados. Si se cae la herramienta eléctrica o el accesorio, compruebe si ha sufrido algún daño o monte un accesorio en buen estado. Una vez revisado y montado un accesorio, colóquense usted y las personas circundantes fuera del plano de rotación del accesorio y deje funcionar la herramienta eléctrica en vacío a velocidad máxima durante un minuto.** Por norma general, los accesorios que están dañados se rompen durante este tipo de prueba.
8. **Utilice equipo de protección personal. Dependiendo del trabajo, utilice una careta, protección para los ojos o gafas de seguridad. Si fuera necesario, utilice una mascarilla antipolvo, protectores auditivos, guantes y un mandil adecuado para protegerse de los pequeños fragmentos que pudieran salir proyectados.** Las gafas de protección deberán ser indicadas para detener los pequeños fragmentos que pudieran salir

proyectados al trabajar. La mascarilla antipolvo o respiratoria debe ser apta para filtrar las partículas producidas al trabajar. Una exposición prolongada al ruido puede producir pérdidas auditivas.

9. **Encárguese de que todas las personas se mantengan a suficiente distancia de la zona de trabajo. Toda persona que acceda a la zona de trabajo deberá utilizar equipo de protección personal.** Podría sufrir daños, incluso fuera del área de trabajo inmediata, al salir proyectados fragmentos de la pieza de trabajo o del accesorio.
10. **Sujete la herramienta eléctrica solo por las superficies de agarre aisladas al realizar una operación en que el accesorio de corte pueda entrar en contacto con cables ocultos o con su propio cable.** Si entra en contacto con un cable con corriente, puede que las piezas metálicas expuestas de la herramienta eléctrica se carguen también de corriente y que el operario reciba una descarga.
11. **Mantenga el cable alejado del accesorio en funcionamiento.** En caso de perder el control, el cable de red podría enredarse o cortarse con el accesorio y arrastrar de esta forma su mano hacia el mismo.
12. **Jamás deposite la herramienta eléctrica hasta que el accesorio se haya detenido por completo.** El accesorio en funcionamiento podría entrar en contacto con la superficie de apoyo y hacerle perder el control sobre la herramienta eléctrica.
13. **No deje funcionar la herramienta eléctrica mientras la transporta.** El accesorio en funcionamiento podría ocasionarle daños personales al engancharse accidentalmente en su vestimenta.
14. **Limpie periódicamente los orificios de ventilación de la herramienta.** El ventilador del motor aspira polvo hacia el interior de la carcasa y, en caso de acumularse un exceso de polvo metálico, podría provocar una descarga eléctrica.
15. **No utilice la herramienta eléctrica cerca de materiales inflamables.** Las chispas podrían inflamarlos.
16. **No emplee accesorios que requieran ser refrigerados con líquidos.** El uso de agua u otros refrigerantes líquidos puede provocar una descarga o electrocución.

Contragolpes y advertencias al respecto

El contragolpe es una reacción brusca que se produce al atascarse o engancharse un disco de esmerilar, un plato lijador, un cepillo de alambre u otro accesorio. Al engancharse o pellizcarse el accesorio en funcionamiento, éste es frenado bruscamente y puede hacer perder el control sobre la herramienta eléctrica, impulsándola en la dirección opuesta al sentido de giro que tenía el accesorio en el momento de agarrotarse. Por ejemplo, si un disco de esmerilar se atasca o engancha en la pieza de trabajo, puede suceder que el borde del accesorio que entra en el material quede bloqueado, provocando la rotura del accesorio o un contragolpe. Según el sentido de giro del disco en el momento de bloquearse, puede que éste resulte despedido en dirección al operario o en sentido opuesto. En este caso también puede suceder que los discos abrasivos se rompan.

El contragolpe es el resultado de un mal uso de la herramienta eléctrica o de condiciones o procedimientos de uso incorrectos y se puede evitar tomando las precauciones que se indican a continuación.

- a) **Sujete con firmeza la herramienta eléctrica y mantenga su cuerpo y brazos en una posición que le permita resistir los contragolpes. Si forma parte del equipo, utilice siempre la empuñadura auxiliar para poder controlar mejor las fuerzas derivadas del contragolpe o los pares de reacción durante la puesta en marcha.** El operario puede controlar los pares de reacción y las fuerzas derivadas del contragolpe si toma las medidas oportunas.
- b) **Jamás aproxime la mano al accesorio en funcionamiento.** En caso de contragolpe el accesorio podría dañarle la mano.
- c) **No se coloque en el área hacia donde se movería la herramienta eléctrica en caso de contragolpe.** En caso de contragolpe la herramienta saldrá rechazada en sentido opuesto al movimiento del disco.
- d) **Preste especial atención al trabajar en esquinas, bordes afilados, etc. Evite que el accesorio rebote o se atasque.** En las esquinas, bordes afilados, o al rebotar, el accesorio en funcionamiento tiende a atascarse y puede provocar la pérdida de control o un contragolpe.
- e) **No utilice discos de sierra para maderas ni otros accesorios dentados.** Estos accesorios son propensos al contragolpe y pueden hacerle perder el control.

Advertencias de seguridad específicas para esmerilar:

- a) **Utilice únicamente los tipos de discos recomendados para su herramienta eléctrica y el protector correcto para el disco en cuestión.** Los discos que no fueron diseñados para esta herramienta no pueden quedar suficientemente protegidos y suponen un peligro.
- b) **Para obtener el nivel máximo de seguridad, el protector debe estar bien sujeto y colocado en la herramienta eléctrica, de forma que el operario esté expuesto a una parte mínima del disco.** El protector ayuda a proteger al operario de fragmentos de disco rotos, un contacto accidental con el disco y chispas que podrían prender fuego a la ropa.
- c) **Utilice siempre bridas que estén en buen estado y que tengan las dimensiones y la forma correctas para el disco utilizado.** Una brida adecuada soporta correctamente el disco, reduciendo así el peligro de rotura. Las bridas para discos de corte pueden ser diferentes de aquellas para los discos de esmerilar.
- d) **No utilice discos gastados de herramientas eléctricas de mayor tamaño.** Los discos destinados a una herramienta eléctrica más grande no son aptos para soportar la mayor velocidad de las herramientas más pequeñas y podrían romperse.

Advertencias de seguridad adicionales:

17. **Nunca utilice discos de centro hundido o discos de corte abrasivos.**

18. **Tenga cuidado de no dañar el husillo, la brida (especialmente la superficie de instalación) ni la contratuerca. Si se dañan estas piezas, el disco podría romperse.**
19. **Asegúrese de que el disco no esté tocando la pieza de trabajo antes de activar el interruptor.**
20. **Antes de utilizar la herramienta en la pieza de trabajo definitiva, déjela funcionar durante un rato. Esté atento por si se producen vibraciones u oscilaciones, lo que indicaría que el disco no se ha instalado correctamente o que está mal equilibrado.**
21. **Para realizar las tareas de esmerilado, use la superficie del disco especificada.**
22. **No deje la herramienta encendida. Póngala en marcha solamente cuando la tenga en las manos.**
23. **No toque la pieza de trabajo inmediatamente después de la tarea, ya que puede estar extremadamente caliente y producir quemaduras en la piel.**
24. **Observe las instrucciones del fabricante para montar y utilizar correctamente los discos. Maneje y guarde con cuidado los discos.**
25. **Utilice solo las bridas especificadas para esta herramienta.**
26. **Compruebe que la pieza de trabajo esté bien sujeta.**
27. **Tenga en cuenta que el disco continuará girando después de haber apagado la herramienta.**
28. **Si el lugar de trabajo es muy caluroso y húmedo, o si está muy contaminado con polvo conductor, utilice un disyuntor de cortocircuito (30 mA) para garantizar la seguridad del operario.**
29. **No utilice la herramienta con ningún material que contenga amianto.**
30. **Asegúrese de encontrarse siempre en una posición bien equilibrada. Si utiliza la herramienta en una ubicación elevada, asegúrese de que nadie se encuentre debajo.**

GUARDE ESTAS INSTRUCCIONES.

⚠ ADVERTENCIA:

NO deje que la comodidad o la familiaridad con el producto (a base de utilizarlo repetidamente) sustituya la estricta observancia de las normas de seguridad del producto en cuestión. El **MAL USO** o la no observancia de las normas de seguridad expuestas en este manual de instrucciones pueden ocasionar graves daños corporales.

DESCRIPCIÓN DEL FUNCIONAMIENTO

⚠ PRECAUCIÓN:

- Asegúrese siempre de que la herramienta esté apagada y desenchufada antes de intentar realizar cualquier tipo de ajuste o comprobación en ella.

Accionamiento del interruptor (Fig. 1)

PRECAUCIÓN:

- Antes de enchufar la herramienta, asegúrese de que el interruptor disparador funcione como es debido y de que vuelva a la posición "OFF" (Apagado) al soltarlo.

Para herramientas con interruptor de bloqueo

PRECAUCIÓN:

- El interruptor se puede bloquear en la posición "ON" (Encendido) para aumentar la comodidad del operario durante el uso prolongado. Tenga cuidado cuando bloquee la herramienta en la posición "ON" (Encendido) y sujete la herramienta firmemente.

Para poner en marcha la herramienta, simplemente accione el interruptor disparador (en la dirección B). Suelte el interruptor disparador para detener la herramienta. Para un uso continuo, tire del interruptor disparador (en la dirección B) y después empuje la palanca de bloqueo (en la dirección A). Para detener la herramienta desde la posición de bloqueo, tire totalmente del interruptor disparador (en la dirección B) y suéltelo.

En herramientas con interruptor de desbloqueo

Para evitar que el interruptor disparador se accione accidentalmente se proporciona una palanca de bloqueo. Para poner en marcha la herramienta, empuje la palanca de bloqueo (en la dirección A) y tire del interruptor disparador (en la dirección B). Suelte el interruptor disparador para detener la herramienta.

Para herramientas con interruptor de bloqueo y desbloqueo

Para evitar que el interruptor disparador se accione accidentalmente se proporciona una palanca de bloqueo. Para poner en marcha la herramienta, empuje la palanca de bloqueo (en la dirección A) y tire del interruptor disparador (en la dirección B). Suelte el interruptor disparador para detener la herramienta.

Para un uso continuo, empuje la palanca de bloqueo (en la dirección A), tire del interruptor disparador (en la dirección B) y, a continuación, tire de la palanca de bloqueo (en la dirección C).

Para detener la herramienta desde la posición de bloqueo, tire totalmente del interruptor disparador (en la dirección B) y suéltelo.

MONTAJE

PRECAUCIÓN:

- Asegúrese siempre de que la herramienta esté apagada y desenchufada antes de intentar realizar cualquier trabajo en ella. (Fig. 2)

PRECAUCIÓN:

- Cuando la cubierta del disco esté colocada para mayor seguridad, apriete los dos pernos hexagonales con una fuerza superior a 10 N.m para fijar la cubierta del disco correctamente.

Instalación o extracción del disco de esmerilar

PRECAUCIÓN:

- Antes de instalar el disco de esmerilar, compruebe siempre que el anillo de papel no tenga anomalías tales como virutas o grietas.
- Un sobreapriete del disco puede provocar su rotura. Si el apriete es insuficiente se producirán vibraciones. Apriete la brida exterior correctamente.
- Utilice siempre el disco de esmerilar con un anillo de papel que tenga un diámetro superior a la contratuerca o la brida exterior y la brida interior.

Para una herramienta con una cubierta de soporte solamente (específica del país) (Fig. 3)

Antes de instalar o extraer el disco de esmerilar, abra la cubierta de soporte. Afloje los tornillos de mariposa de ambos lados de la cubierta de soporte y ábrala. Tras fijar el disco de esmerilar, cierre la cubierta de soporte y asegure los tornillos de mariposa correctamente.

Para todas las herramientas

Tipo A (Fig. 4)

Método de fijación para el tipo A (Fig. 5)

Inserte el destornillador en el orificio de la brida interior. Agarre la contratuerca con la llave de la contratuerca, girándola en la dirección de giro del disco para aflojar la contratuerca. Retire la contratuerca. A continuación instale el disco y apriete la contratuerca en la dirección de la flecha tal y como se muestra en la figura.

Tipo B (Fig. 6)

Tipo C (Fig. 7)

Método de fijación para el tipo B y C (Fig. 8)

Inserte el destornillador en el orificio de la brida interior. Agarre la tuerca hexagonal con la llave, girándola en la dirección de giro del disco para aflojar la tuerca hexagonal. Retire la tuerca hexagonal y la brida exterior. A continuación, instale el disco, la brida exterior y la tuerca hexagonal. Apriete la tuerca hexagonal en la dirección de la flecha tal y como se muestra en la figura.

FUNCIONAMIENTO

PRECAUCIÓN:

- Aplique una ligera presión sobre la herramienta. Una presión excesiva sobre la herramienta solo logrará un pobre acabado y una sobrecarga del motor.
- El disco de esmerilar girando después de haber apagado la herramienta.
- Sujete la herramienta firmemente con una mano en la empuñadura del interruptor y la otra mano en la empuñadura delantera cuando utilice la herramienta. (Fig. 9)

Correa de suspensión (accesorio opcional) (Fig. 10)

El uso continuo del esmeril se facilita mediante la práctica correa de suspensión que se muestra en la figura. Solo tiene que colocar la correa sobre la cabeza o el hombro, tras hacerla pasar por el ojal de la parte superior de la carcasa de la herramienta.

MANTENIMIENTO

⚠ PRECAUCIÓN:

- Asegúrese siempre de que la herramienta esté apagada y desenchufada antes de intentar realizar cualquier trabajo de inspección o mantenimiento en ella.
- Nunca utilice gasolina, benceno, disolvente, alcohol o un producto similar. Se puede provocar una decoloración, una deformación o grietas. (Fig. 11)

La herramienta y los orificios de ventilación deben mantenerse siempre limpios. Limpie los orificios de ventilación periódicamente o siempre que perciba cualquier obstrucción.

Instalación o desmontaje de la cubierta contra el polvo (accesorio opcional)

⚠ PRECAUCIÓN:

- Asegúrese siempre de que la herramienta esté apagada y desenchufada antes de instalar o extraer el accesorio de cubierta contra el polvo.
- De lo contrario, se puede dañar la herramienta o se pueden provocar lesiones personales.
- Limpie el accesorio de cubierta contra el polvo cuando el flujo de aire a través de los accesorios de cubierta contra el polvo se obstruya por la acumulación de suciedad u objetos extraños. El uso continuado en ese estado puede dañar la herramienta.
- Si se retiran los accesorios de cubierta contra polvo, forzándola sin desenganchar el gancho A o B, se puede romper la pieza de gancho. (Fig. 12)

Los accesorios de cubierta contra el polvo izquierdo y derecho se instalan respectivamente en los asideros derecho e izquierdo, con los lados mostrados anteriormente mirando hacia la herramienta. (Fig. 13)

Para instalar los accesorios, inserte ligeramente el gancho A y la varilla A en el orificio de ventilación A. Inserte el gancho B en el orificio de ventilación B. (Fig. 14)

Para desmontar el accesorio, levántelo utilizando un destornillador de punta plana cerca del gancho B. Levántelo también cerca del gancho A.

NOTA:

Los accesorios de cubierta contra el polvo instalados en GS5000 y GS6000 no cubren los orificios de ventilación encima y debajo del portaescobillas, que se ha diseñado a prueba de polvo.

Reemplazo de las escobillas de carbón (Fig. 15)

Si la punta aislante de resina que hay dentro de la escobilla de carbón se expone al contacto con el conmutador, se apagará automáticamente el motor. En tal caso, se deberán reemplazar las dos escobillas de

carbón. Mantenga las escobillas de carbón limpias y de forma que entren libremente en el portaescobillas. Ambas escobillas de carbón deberán ser sustituidas al mismo tiempo. Utilice únicamente escobillas de carbón idénticas. (Fig. 16)

Utilice un destornillador para extraer las tapas de los portaescobillas. Extraiga las escobillas de carbón gastadas, inserte las nuevas y vuelva a fijar las tapas de los portaescobillas.

Para mantener la SEGURIDAD y la FIABILIDAD del producto, las reparaciones y cualquier otra tarea de mantenimiento o ajuste deberán ser realizadas en centros de servicio autorizados por Makita, utilizando siempre repuestos Makita.

ACCESORIOS OPCIONALES

⚠ PRECAUCIÓN:

- Se recomienda el uso de estos accesorios o complementos con la herramienta Makita especificada en este manual. El uso de otros accesorios o complementos puede conllevar el riesgo de ocasionar daños corporales. Utilice los accesorios o complementos solamente para su fin establecido.

Si necesita cualquier ayuda para obtener más información relativa a estos accesorios, pregunte a su centro de servicio Makita local.

- Correa de suspensión
- Cubierta contra el polvo
- Llave Allen
- Soporte para la llave

NOTA:

- Algunos elementos de la lista se pueden incluir en el paquete de la herramienta como accesorios estándar. Pueden ser diferentes de un país a otro.

Modelo GS5000, GS6000

Ruido

ENG905-1

Niveles típicos de ruido ponderado A determinados conforme a EN60745:

Nivel de potencia de sonido (L_{pA}): 83 dB (A)

Nivel de potencia de sonido (L_{WA}): 94 dB (A)

Incertidumbre (K): 3 dB (A)

Utilice protección para los oídos.

Vibración

ENG900-1

Valor total de la vibración (suma de vectores triaxiales) determinado según el estándar EN60745:

Modo de trabajo: esmerilado de superficies

Emisión de vibraciones ($a_{h,SG}$): 2,5 m/s² o menos

Incertidumbre (K): 1,5 m/s²

ENG902-1

- El valor de emisión de vibraciones se ha medido de acuerdo con el método de prueba estándar y se puede utilizar para comparar herramientas.
- El valor de emisión de vibraciones declarado también se puede usar en una evaluación preliminar de la exposición.
- El valor de emisión de vibraciones declarado se usa para las aplicaciones principales de la herramienta eléctrica. No obstante, si se utiliza la herramienta eléctrica para otras aplicaciones, el valor de emisión de vibraciones puede ser diferente.

⚠ ADVERTENCIA:

- La emisión de vibraciones durante el uso de la herramienta eléctrica puede diferir del valor de emisiones declarado, dependiendo de las formas en que se utiliza la herramienta.
- Asegúrese de identificar las mediciones correctas para proteger al operario, que se basan en una estimación de la exposición en condiciones de uso reales (teniendo en cuenta todas las partes del ciclo de operaciones, como los momentos en los que la herramienta está apagada y cuando funciona al ralentí además del tiempo en que está activado el interruptor).

Solo para países europeos

ENH101-18

Declaración de conformidad de la CE

Makita declara que las siguientes máquinas:

Designación de la máquina:

Esméril recto

Nº de modelo/ Tipo: GS5000, GS6000

Cumplen con las siguientes Directivas europeas:

2006/42/CE

Se han fabricado de acuerdo con los siguientes estándares o documentos estandarizados:

EN60745

El archivo técnico de acuerdo con 2006/42/CE está disponible en:

Makita, Jan-Baptist Vinkstraat 2, 3070, Bélgica

1. 2. 2016



Yasushi Fukaya

Director

Makita, Jan-Baptist Vinkstraat 2, 3070, Bélgica

PORTUGUÊS (Instruções de origem)

Descrição geral

- | | | |
|--------------------------------|--|--|
| 1. Gatilho | 13. Chave de parafusos | 24. Acessório de protecção para o pó E |
| 2. Alavanca de bloqueio | 14. Flange interior | 25. Gancho B |
| 3. Chave sextavada | 15. Chave da porca de bloqueio | 26. Gancho A |
| 4. Parafuso sextavado | 16. Porca sextavada | 27. Estria A |
| 5. Porca de bloqueio sextavada | 17. Flange exterior (tipo convexa) | 28. Ventilação A |
| 6. Apertar | 18. Flange exterior (tipo plana) | 29. Ventilação B |
| 7. Desapertar | 19. Ventilação de saída | 30. Interruptor |
| 8. Parafuso de orelhas | 20. Ventilação de entrada | 31. Ponta blindada |
| 9. Tampa de apoio | 21. Pega D | 32. Escova de carvão |
| 10. Porca de bloqueio | 22. Acessório de protecção para o pó D | 33. Tampa do porta-escovas |
| 11. Disco de afiar | 23. Pega E | |
| 12. Veio | | |

ESPECIFICAÇÕES

Modelo	GS5000	GS6000	
Capacidade máxima do disco (diâmetro × espessura)	125 mm × 20 mm	150 mm × 20 mm	
Ranhura do veio	M14 ou 1/2" (consoante o país)		
Velocidade de rotação sem carga (min. ⁻¹)	5.600		
Comprimento total	Com tampa de apoio	590 mm	590 mm
	Sem tampa de apoio	588 mm	588 mm
Peso líquido	Com tampa de apoio	5,0 kg	5,2 kg
	Sem tampa de apoio	4,9 kg	5,0 kg
Classe de segurança	□/II		

- Devido à pesquisa e desenvolvimento constantes, estas especificações estão sujeitas a alteração sem aviso prévio.
- Estas especificações podem diferir de país para país.
- Peso de acordo com procedimento EPTA de 01/2003

Símbolos

END202-8

Descrição dos símbolos utilizados no equipamento.

Certifique-se de que compreende o seu significado, antes da utilização.



..... Leia o manual de instruções.



..... BLINDAGEM DUPLA



..... Use óculos de segurança.



..... Apenas para países da UE
Não deite equipamentos eléctricos no lixo doméstico!
De acordo com a directiva europeia sobre ferramentas eléctricas e electrónicas usadas e a sua aplicação para as leis nacionais, as ferramentas eléctricas usadas devem ser recolhidas em separado e encaminhadas a uma instalação de reciclagem dos materiais ecológicos.

Utilização prevista

ENE050-1

A ferramenta destina-se a afiar materiais ferrosos ou limar moldes.

Fonte de alimentação

ENF002-2

A ferramenta apenas deve ser ligada a uma fonte de alimentação da mesma tensão que a indicada na chapa de especificações, e apenas pode funcionar com uma alimentação CA monofásica. Estão blindadas duplamente e podem, assim, ser igualmente ligadas a tomadas sem fio terra.

Avisos gerais de segurança para ferramentas eléctricas

GEA010-1

⚠ AVISO Leia todos os avisos de segurança e todas as instruções. O não cumprimento dos avisos e instruções pode resultar na ocorrência de choques eléctricos, incêndios e/ou ferimentos graves.

Guarde todos os avisos e instruções para referência futura.

AVISOS DE SEGURANÇA PARA O ESMERIL RETO

GEB108-4

Avisos de segurança comuns a operações que envolvem afiar:

1. Esta ferramenta eléctrica destina-se a funcionar como esmeril. Leia todos os avisos, instruções, ilustrações e especificações de segurança fornecidos juntamente com a ferramenta. Caso

- não siga todas as instruções indicadas em baixo, poderão ocorrer choques eléctricos, incêndios e/ou ferimentos graves.
- Não é recomendada a utilização desta ferramenta eléctrica para determinadas operações, como, por exemplo, lixar, escovar com arame, polir ou cortar.** Operações para as quais a ferramenta não foi concebida podem criar perigos e causar ferimentos pessoais.
 - Não utilize acessórios que não sejam especificamente concebidos e recomendados pelo fabricante da ferramenta.** Mesmo que o acessório encaixe na ferramenta, isso não garante uma operação segura.
 - A velocidade nominal do acessório deve ser no mínimo igual à velocidade máxima marcada na ferramenta.** Os acessórios a funcionar mais rapidamente do que a velocidade nominal podem quebrar e sair projectados.
 - O diâmetro exterior e a espessura do acessório deve estar dentro da capacidade nominal da ferramenta.** Os acessórios com tamanhos incorrectos não podem ser guardados ou controlados adequadamente.
 - A montagem roscada de acessórios tem de corresponder à rosca do veio do esmeril. Para acessórios montados por flanges, o orifício de alojamento do acessório tem de corresponder ao diâmetro da flange.** Os acessórios que não correspondem ao hardware de instalação da ferramenta perderão o equilíbrio, vibrarão excessivamente e podem causar perda de controlo.
 - Não utilize um acessório danificado. Inspeccione o acessório antes de cada utilização, por exemplo, verificar se os discos abrasivos estão lascados ou rachados. Se a ferramenta ou acessório cair, inspeccione para a existência de danos ou instale um acessório não danificado. Depois de inspeccionar e instalar um acessório, afaste-se e afaste outras pessoas na proximidade do plano do acessório rotativo e ligue a ferramenta eléctrica na velocidade máxima sem carga durante um minuto.** Normalmente, os acessórios danificados partem-se durante este teste.
 - Use equipamento pessoal de protecção. Consoante a aplicação, use protecção para a cara ou óculos de segurança. Use máscara de pó, protectores auditivos, luvas e avental adequados, capazes de parar pequenos fragmentos abrasivos ou da peça de trabalho.** A protecção dos olhos deve ser capaz de parar detritos projectados gerados por várias utilizações. A máscara de pó ou respirador deve conseguir filtrar partículas geradas pela operação que estiver a efectuar. Uma exposição prolongada a ruído de alta intensidade pode causar perda de audição.
 - Mantenha as pessoas presentes a uma distância segura da área de trabalho. Qualquer pessoa que entre na área de trabalho deve usar equipamento pessoal de protecção.** Os fragmentos da peça de trabalho ou de um acessório partido podem ser projectados e causar ferimentos para além da área imediata da operação.
 - Quando executar operações em que acessórios de corte possam entrar em contacto com fios eléctricos ocultos ou com próprio cabo eléctrico da ferramenta, tenha o cuidado de tocar apenas nas superfícies isoladas desses acessórios.** O acessório de corte em contacto com um fio eléctrico ligado à corrente pode electrificar as peças de metal da ferramenta e provocar um choque.
 - Posicione o cabo eléctrico longe do acessório rotativo.** Se perder o controlo, o cabo eléctrico pode ser cortado ou movimentado bruscamente e a sua mão ou braço podem ser puxados para o acessório rotativo.
 - Nunca pouse a ferramenta antes do acessório parar por completo.** O acessório rotativo pode apanhar a superfície e fazê-lo perder o controlo da ferramenta.
 - Não ligue a ferramenta enquanto a leva na mão junto ao corpo.** O contacto accidental com o acessório rotativo pode arrancar a sua roupa, puxando o acessório para o corpo.
 - Limpe regularmente as aberturas de ventilação da ferramenta.** A ventoinha do motor atrairá o pó para dentro da caixa e acumulação excessiva de metal em pó pode causar perigos eléctricos.
 - Não utilizar a ferramenta perto de materiais inflamáveis.** As faíscas podem acender esses materiais.
 - Não utilizar acessórios que requeiram arrefecedores líquidos.** Usar água ou outro líquido arrefecedor poderá resultar em electrocussão ou choque.
- ### Recuos e Avisos Relacionados
- Um recuo é uma reacção repentina a um disco rotativo, disco de apoio, escova ou outro qualquer acessório encravado ou movimentado bruscamente. Pressionar ou mover bruscamente causa um rápido bloqueio do acessório rotativo, o que por sua vez faz com que a ferramenta descontrolada seja forçada na direcção oposta à da rotação do acessório ao ponto de empeno. Por exemplo, se um disco abrasivo for movimentado bruscamente ou encravado pela peça de trabalho, a ponta do disco que está entrar no ponto de encravamento pode perfurar a superfície do material, fazendo com que o disco salte fora ou ressalte. O disco pode saltar em direcção ao operador ou na direcção oposta, consoante o movimento no ponto de perfuração. Os discos abrasivos podem também quebrar nestas condições. O recuo é o resultado de uma má utilização da ferramenta e/ou procedimentos de funcionamento incorrectos e pode ser evitado tomando as devidas precauções, tal como indicado em baixo.
- Segure firmemente na ferramenta e posicione o corpo e o braço de forma a resistir às forças do recuo. Se fornecida, utilize sempre uma pega auxiliar para um controlo máximo sobre o recuo ou reacção de força durante o início.** Se tomar medidas de precaução adequadas, o operador pode controlar as reacções de força ou de recuo.
 - Nunca posicione a mão perto do acessório rotativo.** O acessório pode recuar sobre a sua mão.
 - Não posicione o corpo na área para onde a ferramenta se moverá se ocorrer um recuo.** O

recuo projectará a ferramenta na direcção oposta ao movimento do disco, no ponto de movimento brusco.

- d) **Tenha especial atenção ao trabalhar cantos, extremidades afiadas, etc. Evite fazer ressaltar e movimentar bruscamente o acessório.** Os cantos, extremidades afiadas ou ressaltos têm uma tendência de movimentar bruscamente o acessório rotativo e causam perda de controlo ou recuo.
- e) **Não colocar uma serra de cortar madeira ou uma serra dentada.** Tais lâminas criam recuos frequentes e perda de controlo.

Avisos de segurança específicos para operações que envolvem afiar:

- a) **Use apenas tipos de discos que são recomendados para a ferramenta e a protecção específica concebida para o disco seleccionado.** Discos para os quais a ferramenta não foi concebida não podem ser protegidos e não são seguros.
- b) **A protecção deve estar encaixada de forma segura à ferramenta e posicionada para segurança máxima, para que o disco esteja minimamente exposto na direcção do operador.** A protecção ajuda a proteger o operador de fragmentos partidos do disco, contacto acidental com o disco e faíscas que podem incendiar a roupa.
- c) **Use sempre flanges de discos não danificadas de tamanho e forma certos para o disco escolhido.** As flanges adequadas apoiam o disco, reduzindo assim a possibilidade de quebra do mesmo. As flanges para os discos de corte podem ser diferentes das flanges dos discos de afiar.
- d) **Não usar discos desgastados de ferramentas maiores.** Um disco destinado a ferramentas maiores não é apropriado à velocidade superior de uma ferramenta mais pequena, podendo rebentar.

Avisos de segurança adicionais:

17. **Nunca utilize discos convexos ou discos de corte abrasivos.**
18. **Não danifique o veio, a flange (especialmente a superfície de instalação) ou a porca de bloqueio. Os danos nestas peças podem resultar em quebra dos discos.**
19. **Certifique-se de que o disco não está em contacto com a peça de trabalho antes de ligar o interruptor.**
20. **Antes de utilizar a ferramenta numa peça de trabalho, deixe-a a trabalhar durante algum tempo. Procure a existência de vibrações ou oscilações que possam indicar uma má fixação ou um disco mal equilibrado.**
21. **Utilize a superfície especificada do disco para afiar.**
22. **Não abandone a ferramenta a funcionar. Ponha-a a funcionar apenas quando estiver a segurá-la.**
23. **Não toque na peça de trabalho logo após a operação, uma vez que pode estar demasiado quente e provocar queimaduras.**
24. **Cumpra as instruções do fabricante sobre a instalação e utilização correctas dos discos. Manuseie e guarde os discos com cuidado.**
25. **Utilize apenas as flanges especificadas para esta ferramenta.**

26. **Verifique se a peça de trabalho está bem suportada.**
27. **Tome atenção uma vez que o disco continua a rodar após a ferramenta ser desligada.**
28. **Se o local de trabalho for extremamente quente e húmido ou muito poluído pelo pó, utilize um disjuntor (30 mA) para garantir a segurança do operador.**
29. **Não utilize a ferramenta ou quaisquer materiais que contenham amianto.**
30. **Procure uma posição em pé estável e firme. Se utilizar a ferramenta em locais altos, verifique se não há ninguém por baixo.**

GUARDE ESTAS INSTRUÇÕES.

⚠ AVISO:

NÃO deixe que o conforto ou familiaridade com o produto (obtida de uma utilização regular) substitua um cumprimento severo das regras de segurança do produto em causa. Uma **UTILIZAÇÃO INCORRECTA** ou não cumprimento das regras de segurança indicadas neste manual de instruções podem provocar ferimentos pessoais sérios.

DESCRIÇÃO DO FUNCIONAMENTO

⚠ PRECAUÇÃO:

- Certifique-se sempre de que a ferramenta está desligada no interruptor e da tomada antes de proceder a ajustes ou testes à mesma.

O gatilho/interruptor (Fig. 1)

⚠ PRECAUÇÃO:

- Antes de inserir a ficha da ferramenta na tomada, verifique se o gatilho está a funcionar correctamente e se volta à posição "OFF" quando o solta.

Para ferramentas com o interruptor de bloqueio

⚠ PRECAUÇÃO:

- O interruptor pode ser bloqueado na posição "ON" para um maior conforto do operador durante uma utilização prolongada. Tenha cuidado quando bloquear a ferramenta na posição "ON" e segure bem a ferramenta.

Para iniciar a ferramenta, basta premir o gatilho (na direcção B). Para parar a ferramenta, solte o gatilho. Para funcionamento contínuo, puxe o gatilho (na direcção B) e empurre a alavanca de bloqueio (na direcção A). Para parar a ferramenta da posição de bloqueada, puxe totalmente o gatilho (na direcção B) e solte-o.

Para ferramentas com o interruptor de desbloqueio

Para evitar que o gatilho seja acidentalmente puxado, é fornecida uma alavanca de bloqueio. Para iniciar a ferramenta, pressione a alavanca de bloqueio (na direcção A) e puxe o gatilho (na direcção B). Para parar a ferramenta, solte o gatilho.

Para ferramentas com o interruptor de bloqueio e desbloqueio

Para evitar que o gatilho seja acidentalmente puxado, é fornecida uma alavanca de bloqueio.

Para iniciar a ferramenta, pressione a alavanca de bloqueio (na direcção A) e puxe o gatilho (na direcção B). Para parar a ferramenta, solte o gatilho. Para funcionamento contínuo, pressione a alavanca de bloqueio (na direcção A) puxe o gatilho (na direcção B) e puxe a alavanca de bloqueio (na direcção C).

Para parar a ferramenta da posição de bloqueada, puxe totalmente o gatilho (na direcção B) e solte-o.

MONTAGEM

⚠️ PRECAUÇÃO:

- Certifique-se sempre de que a ferramenta está desligada no interruptor e da tomada antes de efectuar qualquer trabalho na mesma. (Fig. 2)

⚠️ PRECAUÇÃO:

- Quando a tampa do disco está posicionada para mais segurança, aperte os dois parafusos sextavados a uma força superior a 10 N.m para fixar correctamente a tampa do disco.

Instalar ou remover o disco de afiar

⚠️ PRECAUÇÃO:

- Antes de instalar o disco de afiar, certifique-se sempre de que uma parte absorvente não está lascada ou rachada.
- Apertar demasiadamente o disco pode causar quebras. Um aperto insuficiente irá causar vibrações. Aperte correctamente a flange exterior.
- Utilize sempre o disco de afiar com a parte absorvente com um diâmetro maior do que a porca de bloqueio ou a flange exterior e a flange interior.

Para ferramenta apenas com tampa de apoio (consoante o país) (Fig. 3)

Antes de instalar ou remover o disco de afiar, abra a tampa de apoio. Desaperte os parafusos de orelhas em ambos os lados da tampa de apoio e, de seguida, abra-a. Após fixar o disco de afiar, feche a tampa de apoio e, de seguida, fixe correctamente os parafusos de orelhas.

Para todas as ferramentas

Tipo A (Fig. 4)

Método de fixação para tipo A (Fig. 5)

Introduza a chave de parafusos no orifício na flange interior. Agarre a porca de bloqueio com a chave da porca de bloqueio, rodando no sentido de rotação do disco para desapertar a porca de bloqueio. Remova a porca de bloqueio. De seguida, instale o disco e aperte a porca de bloqueio no sentido da seta, conforme mostrado na figura.

Tipo B (Fig. 6)

Tipo C (Fig. 7)

Método de fixação para tipo B e C (Fig. 8)

Introduza a chave de parafusos no orifício na flange interior. Agarre a porca sextavada com a chave, rodando no sentido de rotação do disco para desapertar a porca sextavada. Remova a porca sextavada e a flange

exterior. De seguida, instale o disco, flange exterior e porca sextavada. Aperte a porca sextavada no sentido da seta, conforme mostrado na figura.

FUNCIONAMENTO

⚠️ PRECAUÇÃO:

- Aplique uma pressão leve na ferramenta. Uma pressão excessiva na ferramenta apenas causaria um mau acabamento e sobrecarga do motor.
- O disco de afiar continua a rodar após a ferramenta ser desligada.
- Segure bem a ferramenta com uma mão na pega do interruptor e a outra mão no punho frontal durante a utilização da ferramenta. (Fig. 9)

Gancho (acessório opcional) (Fig. 10)

A utilização contínua do esmeril é facilitada ao utilizar o gancho, conforme mostrado na figura. Simplesmente passe a alça sobre a cabeça ou o ombro, após apertá-la no ilhó na parte superior da armação da ferramenta.

MANUTENÇÃO

⚠️ PRECAUÇÃO:

- Certifique-se sempre de que a ferramenta está desligada no interruptor e da tomada antes de inspecionar ou fazer a manutenção da ferramenta.
- Nunca utilize gasolina, benzina, diluente, álcool ou semelhante. Podem formar-se descolorações, deformações ou fissuras. (Fig. 11)

A ferramenta e as respectivas aberturas de ventilação devem ser mantidas limpas. Limpe regularmente as aberturas de ventilação da ferramenta ou sempre que as aberturas fiquem obstruídas.

Instalar ou retirar a protecção para o pó (acessório opcional)

⚠️ PRECAUÇÃO:

- Certifique-se sempre de que a ferramenta está desligada e com a ficha desligada da tomada antes de instalar ou remover os acessórios de protecção para o pó.
- Se não fizer isto pode causar danos na ferramenta ou ferimentos pessoais.
- Limpe os acessórios de protecção para o pó quando o caudal de ar, através dos acessórios de protecção para o pó, é obstruído por pó acumulado ou matérias estranhas. A utilização contínua nessas condições pode danificar a ferramenta.
- Ao remover os acessórios de protecção para o pó, forçá-los sem desengatar o gancho A ou B pode quebrar a parte de engate. (Fig. 12)

Os acessórios de protecção para o pó D/E são respectivamente instalados nas pegas D/E com os lados mostrados acima virados para a ferramenta. (Fig. 13) Para instalar os acessórios, introduza o gancho A e a estria A ligeiramente na ventilação A. Introduza o gancho B na ventilação B. (Fig. 14) Para remover, levante ao utilizar uma chave de parafusos perto do gancho B. Levante também perto do gancho A.

NOTA:

Os acessórios de protecção para o pó instalados no GS5000 e GS6000 não cobrem as ventilações acima e abaixo do porta-escovas à prova de pó.

Substituir as escovas de carvão (Fig. 15)

Quando a ponta de blindagem de resina no interior da escova de carvão ficar exposta ao contacto com o interruptor, desligará automaticamente o motor. Quando isto ocorrer, devem ser substituídas ambas as escovas de carvão. Mantenha-as limpas para poderem deslizar no porta-escovas. Substitua as duas ao mesmo tempo. Utilize unicamente escovas de carvão idênticas. (Fig. 16) Utilize uma chave de parafusos para remover as tampas do porta-escovas. Retire as escovas usadas, coloque umas novas e fixe as tampas do porta-escovas. Para manter os níveis de SEGURANÇA e FIABILIDADE definidos para este produto, as reparações e os procedimentos de manutenção ou ajustes devem ser executados por centros de assistência Makita autorizados, utilizando sempre peças de substituição Makita.

ACESSÓRIOS OPCIONAIS**⚠️ PRECAUÇÃO:**

- Os seguintes acessórios ou extensões são recomendados para utilizar com a ferramenta Makita especificada neste manual. A utilização de quaisquer outros acessórios poderá representar um risco de ferimento para as pessoas. Apenas utilize o acessório para o fim indicado.

Se precisar de informações adicionais relativas aos acessórios, contacte o centro local de assistência Makita.

- Gancho
- Protecção para o pó
- Chave sextavada
- Suporte de chave

NOTA:

- Alguns itens na lista podem estar incluídos no pacote de ferramentas como acessórios de série. Podem diferir de país para país.

Modelo GS5000, GS6000**Ruído**

ENG905-1

O nível de ruído ponderado A típico determinado, de acordo com EN60745:

- Nível de pressão sonora (L_{pA}): 83 dB (A)
- Nível de potência sonora (L_{WA}): 94 dB (A)
- Incerteza (K): 3 dB (A)

Use protecção ocular.**Vibração**

ENG900-1

O valor total de vibração (soma vector triaxial) determinado, de acordo com EN60745:

- Modo de trabalho: afiar à superfície
- Emissão de vibração ($a_{h,SG}$): 2,5 m/s² ou menos
- Incerteza (K): 1,5 m/s²

ENG902-1

- O valor da emissão de vibração declarado foi medido de acordo com o método de teste padrão e pode ser utilizado para comparar uma ferramenta com outra.

- O valor da emissão de vibração declarado pode também ser utilizado numa avaliação preliminar de exposição.
- O valor da emissão de vibração declarado é utilizado para as aplicações principais da ferramenta eléctrica. No entanto, se a ferramenta eléctrica for utilizada para outras aplicações, o valor da emissão de vibração pode ser diferente.

⚠️ AVISO:

- A emissão de vibração durante a utilização real da ferramenta eléctrica pode ser diferente do valor de emissão declarado, dependendo da forma como a ferramenta é utilizada.
- Certifique-se de que identifica medidas de segurança, para proteger o operador, que são baseadas numa estimativa de exposição nas condições reais de utilização (tendo em conta todas as partes do ciclo de funcionamento, como as vezes que a ferramenta é desligada e quando está a trabalhar ao ralenti, além do tempo de utilização).

Apenas para países europeus

ENH101-18

Declaração de conformidade CE**A Makita declara que as máquinas:**

Designação da máquina:

Esmeril Reto

Nº/Tipo de modelo: GS5000, GS6000

Estão em conformidade com as directivas europeias seguintes:

2006/42/EC

São fabricadas de acordo com as normas e documentos normalizados seguintes:

EN60745

A ficha técnica em conformidade com a norma 2006/42/EC está disponível a partir de:

Makita, Jan-Baptist Vinkstraat 2, 3070, Bélgica

1. 2. 2016



Yasushi Fukaya
Director

Makita, Jan-Baptist Vinkstraat 2, 3070, Bélgica

DANSK (Originalvejledning)

Forklaring til generel oversigt

1. Afbryderkontakt	12. Spindel	23. Håndtag V
2. Låsehåndtag	13. Skruetrækker	24. Støvdækselmontering V
3. Unbrakonøgle	14. Indre flange	25. Krog B
4. Sekskantbolt	15. Skrueøgle til sikringsmøtrik	26. Krog A
5. Sekskantet sikringsmøtrik	16. Sekskantmøtrik	27. Ribbe A
6. Stram	17. Ydre flange (konveks type)	28. Ventilationsåbning A
7. Løsn	18. Ydre flange (flad type)	29. Ventilationsåbning B
8. Vingeskrue	19. Udstødningsåbning	30. Kommutator
9. Støttedæksel	20. Indsugningsåbning	31. Isolerende spids
10. Sikringsmøtrik	21. Håndtag H	32. Kulbørste
11. Slibeskive	22. Støvdækselmontering H	33. Kulholderdæksel

SPECIFIKATIONER

Model		GS5000	GS6000
Maksimal skivekapacitet (diameter × tykkelse)		125 mm × 20 mm	150 mm × 20 mm
Spindelgevind		M14 eller 1/2" (landespecifik)	
Hastighed uden belastning (min ⁻¹)		5.600	
Længde i alt	Med støttedæksel	590 mm	590 mm
	Uden støttedæksel	588 mm	588 mm
Nettovægt	Med støttedæksel	5,0 kg	5,2 kg
	Uden støttedæksel	4,9 kg	5,0 kg
Sikkerhedsklasse		□/II	

- På grund af vores løbende forsknings- og udviklingsprogram kan specifikationerne heri ændres uden forudgående varsel.
- Specifikationerne kan variere fra land til land.
- Vægt i henhold til EPTA-procedure 01/2003

Symboler

END202-8

Her vises de symboler, der benyttes til udstyret. Vær sikker på, at du forstår deres betydning, før du bruger udstyret.



..... Læs brugsanvisningen.



..... DOBBELT ISOLERET



..... Bær beskyttelsesbriller.



..... Kun for EU-lande

Elektrisk udstyr må ikke bortskaffes som almindeligt affald! I henhold til det europæiske direktiv om bortskaffelse af elektriske og elektroniske produkter og dets implementering i overensstemmelse med gældende national lovgivning skal brugt elektrisk udstyr, der har udtjent dets levetid, indsamles separat og returneres til miljøgodkendt genindvinding.

Tilsigtet anvendelse

ENE050-1

Maskinen er beregnet til slibning i jernholdige materialer eller i afgratningsstøbninger.

Strømforsyning

ENF002-2

Værktøjet bør kun sluttes til en strømforsyning med den spænding, der er angivet på mærkepladen, og det kan kun benyttes med enkeltfaset vekselstrøm. Det er dobbelt isoleret og kan derfor også sluttes til stikkontakter uden jordforbindelse.

Generelle sikkerhedsadvarsler for maskiner

GEA010-1

⚠ ADVARSEL Læs alle sikkerhedsadvarsler og alle instruktioner. Hvis De ikke følger alle advarsler og instruktioner, kan det medføre elektrisk stød, brand og/eller alvorlig personskade.

Gem alle advarsler og instruktioner til senere reference.

SIKKERHEDSADVARSLER FOR LIGESLIBER

GEB108-4

Følles sikkerhedsadvarsler for afslibning:

1. Denne maskine er beregnet til anvendelse som en sliber. Læs alle sikkerhedsadvarsler, instruktioner, illustrationer og specifikationer, der følger med maskinen. Hvis du ikke følger alle instruktionerne nedenfor, kan det medføre elektrisk stød, brand og/eller alvorlig personskade.

2. **Det anbefales ikke at benytte maskinen til formål som f.eks. sandslibning, trådbørstning, polering eller vinkelslibning.** Anvendelser, som maskinen ikke er beregnet til, kan udgøre en risiko og medføre personskaade.
 3. **Undlad at benytte tilbehør, som ikke er specielt udviklet og anbefalet af værktøjsproducenten.** Selvom tilbehøret kan monteres på maskinen, er anvendelsen ikke nødvendigvis sikker.
 4. **Tilbehørets nominelle hastighed skal være mindst lig med den maksimale hastighed, der er angivet på maskinen.** Tilbehør, der kører hurtigere end dets nominelle hastighed, kan gå i stykker og blive slynget bort.
 5. **Tilbehørets udvendige diameter og tykkelse skal overholde maskinens kapacitet.** Tilbehør med forkert størrelse kan ikke fastgøres eller kontrolleres korrekt.
 6. **Ved montering af tilbehør med gevind skal de passe til sliberens spindelgevind. Ved tilbehør, der monteres med flanger, skal akselhullet på tilbehøret passe til den modsvarende diameter på flangen.** Tilbehør, der ikke passer til monteringsudstyret på maskinen, vil komme ud af balance, vibrere voldsomt og kan medføre, at du mister kontrollen.
 7. **Undlad brug af beskadiget tilbehør. Kontroller tilbehør som f.eks. slibeskiver for flænger og revner, hver gang det skal benyttes. Hvis du tager maskinen eller tilbehøret, skal du se efter for beskadigelser eller montere ubeskadiget tilbehør. Efter kontrol og montering af tilbehør skal du placere dig selv og tilskuere væk fra tilbehørets drejningsplan og lade maskinen køre ved maksimal hastighed uden belastning i et minut.** Beskadiget tilbehør vil normalt gå i stykker inden for denne testperiode.
 8. **Bær personligt sikkerhedsudstyr. Afhængigt af anvendelsen skal du bære ansigtsskærm, beskyttelsesbriller eller sikkerhedsbriller. Bær om nødvendigt støvmaske, høreværn, handsker og arbejdsforklæde, der kan stoppe små slibningsstykker eller stumper af arbejdsemnet.** Øjenbeskyttelsen skal kunne stoppe flyvende stumper, der frembringes ved forskellige anvendelser. Støvmasken eller åndedrætsbeskyttelsen skal kunne filtrere partikler, der frembringes ved anvendelsen. Længerevarende udsættelse for kraftig støj kan medføre høreskader.
 9. **Hold andre tilstedeværende på sikker afstand af arbejdsområdet. Alle, der kommer ind i arbejdsområdet, skal bære personligt sikkerhedsudstyr.** Dele af arbejdsemnet eller ødelagt tilbehør kan flyve væk og medføre personskaade uden for det umiddelbare anvendelsesområde.
 10. **Hold kun maskinen i de isolerede gribeflader, når du udfører arbejde, hvor skæretilbehøret kan komme i kontakt med skjulte ledninger eller maskinens egen ledning.** Hvis skæretilbehøret kommer i kontakt med en strømførende ledning, kan udsatte metaldele på maskinen blive strømførende, hvorved operatøren kan få elektrisk stød.
 11. **Placer ledningen på afstand af det roterende tilbehør.** Hvis du mister kontrollen, kan ledningen blive skåret over eller beskadiget, og din hånd eller arm kan blive trukket ind i det roterende tilbehør.
 12. **Læg aldrig maskinen fra dig, før tilbehøret er stoppet helt.** Det roterende tilbehør kan gribe fat i overfladen og trække i maskinen, så du mister kontrollen.
 13. **Lad ikke maskinen køre, mens du bærer den ved siden.** Hvis dit tøj kommer i kontakt med det roterende tilbehør, kan det gribe fat i tøjet og trække tilbehøret ind imod kroppen på dig.
 14. **Rengør regelmæssigt maskinens ventilationsåbninger.** Motorventilatoren trækker støvet ind i kabinettet, og koncentration af forstøvet metal kan medføre elektriske risici.
 15. **Undlad at betjene maskinen i nærheden af brændbare materialer.** Gnister kan antænde disse materialer.
 16. **Undlad at benytte tilbehør, der kræver flydende kølemidler.** Brug af vand eller andre flydende kølemidler kan medføre elektrisk stød eller chok.
- Tilbageslag og relaterede advarsler**
- Tilbageslag er en pludselig reaktion på, at en roterende skive, bagpolstring, børste eller andet tilbehør sidder fast eller kommer i klemme. Hvis tilbehøret sidder fast eller kommer i klemme, går det roterende tilbehør pludselig i stå, hvorved den ikke-kontrollerede maskine tvinges i den modsatte retning af tilbehørets rotationsretning på det sted, hvor det sidder fast.
- Hvis en slibeskive f.eks. kommer i klemme eller sidder fast på arbejdsemnet, kan den kant på skiven, der sidder ind i fastklemningspunktet, skære sig ind i emnets overflade, så skiven klatrer ud eller slås ud. Skiven kan enten springe mod eller bort fra operatøren, afhængigt af skivens bevægelse på det sted, hvor den sidder fast. Slibeskiver kan også gå i stykker under disse forhold. Tilbageslag skyldes forkert brug af maskinen og/eller forkerte betjeningsprocedurer eller forhold og kan undgås ved at træffe de nødvendige forsigtighedsregler som beskrevet nedenfor.
- a) **Hold godt fast i maskinen, og placer kroppen og armen, så du kan modstå tilbageslag.** Benyt altid det ekstra håndtag, hvis det er tilgængeligt, for at opnå størst mulig kontrol med tilbageslag eller drejningsreaktion ved start. Operatøren kan kontrollere drejningsreaktioner eller tilbageslag, hvis der træffes de rette forholdsregler.
 - b) **Placer aldrig hånden i nærheden af roterende tilbehør.** Tilbehøret kan blive slået tilbage hen over hånden.
 - c) **Placer ikke dig selv i det område, hvor maskinen vil bevæge sig, hvis der opstår tilbageslag.** Ved tilbageslag bliver maskinen slynget i modsat retning af skivens bevægelse på det sted, hvor den sidder fast.
 - d) **Vær særligt forsigtig ved arbejde på hjørner, skarpe kanter osv. Undgå at støde og vride tilbehøret.** Hjørner, skarpe kanter og stød har tendens til at få det roterende tilbehør til at sidde fast og forårsage tab af kontrollen eller tilbageslag.
 - e) **Monter ikke en klinge til savning i træ eller en savklinge med tænder.** Sådanne klinger forårsager ofte tilbageslag og tab af kontrollen.

Specifikke sikkerhedsadvarsler for afslibning:

- a) Anvend kun skivetyper, der anbefales til maskinen, og den specifikke beskyttelseskærm, der er beregnet til den valgte skive. Skiver, som maskinen ikke er beregnet til, kan ikke beskyttes ordentligt og er ikke sikre at bruge.
- b) **Beskyttelseskærmen skal sidde korrekt fast på maskinen og placeres med henblik på maksimal sikkerhed, så mindst muligt af skiven er blottet ud mod operatøren.**

Beskyttelseskærmen hjælper med at beskytte operatøren mod dele af brækkede skiver, utilsigtet kontakt med skiven og gnister, der kan antænde tøjet.

- c) **Anvend altid ubeskadigede skiveflanger af den korrekte størrelse og form til den valgte skive.**

Korrekte skiveflanger understøtter skiven, så der er mindre risiko for, at den går i stykker. Flanger til vinkelslibeskiver kan være forskellige fra flanger til slibeskiver.

- d) **Undlad at benytte nedslidte skiver fra større maskiner.** Skiver, der er beregnet til større maskiner, er ikke beregnet til en mindre maskines større hastigheder og kan gå i stykker.

Yderligere sikkerhedsadvarsler:

17. **Brug aldrig forsænkede centerskiver eller slibeskiver til vinkelslibning.**
18. **Vær forsigtig med ikke at beskadige spindelen, flangen (især monteringsområdet) eller sikringsmøtrikken. Beskadigelse af disse dele kan medføre beskadigelse af skiven.**
19. **Sørg for, at skiven ikke har kontakt med arbejdsemnet, før der tændes på kontakten.**
20. **Lad maskinen køre et stykke tid, før den benyttes på et arbejdsemne. Hold øje med vibrationer eller slinger, der kan være tegn på en dårlig montering eller en dårligt afbalanceret skive.**
21. **Anvend den tilsigtede overflade på skiven til at udføre slibningen.**
22. **Gå ikke fra maskinen, mens den kører. Lad kun maskinen køre, mens du holder den i hænderne.**
23. **Berør ikke arbejdsemnet umiddelbart efter arbejdet. Det kan være meget varmt og forårsage forbrændinger af huden.**
24. **Overhold producentens instruktioner for korrekt montering og brug af skiver. Vær omhyggelig med håndteringen og opbevaringen af skiverne.**
25. **Brug kun flanger, der er beregnet til maskinen.**
26. **Kontroller, at arbejdsemnet er korrekt understøttet.**
27. **Vær opmærksom på, at skiven fortsætter med at rotere, efter at der slukkes for maskinen.**
28. **Hvis arbejdspladsen er meget varm og fugtig, eller hvis den er kraftigt forurenet med ledende støv, skal du bruge en kortslutningsafbryder (30 mA) til at beskytte operatøren.**
29. **Anvend ikke maskinen på materialer, der indeholder asbest.**
30. **Sørg altid for at have et solidt fodfæste. Sørg for, at der ikke er nogen under dig, når du bruger maskinen på højtliggende steder.**

GEM DISSE INSTRUKTIONER.

⚠ ADVARSEL:

LAD IKKE tryghed eller kendskab til produktet (fra gentagen brug) føre til, at du ikke strengt overholder sikkerhedsreglerne for det gældende produkt. MISBRUG eller manglende overholdelse af sikkerhedsreglerne i denne brugsanvisning kan medføre alvorlig personskade.

FUNKTIONSBESKRIVELSE

⚠ FORSIGTIG:

- Sørg altid for, at maskinen er slukket, og at stikket er taget ud af stikkontakten, før du justerer maskinen eller kontrollerer dens funktion.

Betjening af afbryderkontakt (Fig. 1)

⚠ FORSIGTIG:

- Før maskinen tilsluttes, skal du altid kontrollere, at afbryderkontakten fungerer korrekt og vender tilbage til "OFF"-stillingen, når du slipper den.

For maskiner med tryklåsekontakt

⚠ FORSIGTIG:

- Kontakten kan låses i "ON"-positionen for at gøre det nemmere for brugeren ved længere tids brug af maskinen. Vær forsigtig når du låser maskinen i "ON"-stillingen og hold godt fast på maskinen.

For at starte maskinen skal du blot trække i afbryderkontakten (i retning B). Slip afbryderkontakten for at stoppe. For kontinuerlig brug skal du trække i afbryderkontakten (i retning B) og derefter trykke låsehåndtaget ind (i retning A). Når du vil stoppe maskinen fra den låste position, skal du trække afbryderkontakten helt ind (i retning B) og derefter slippe den.

For maskiner med låsehåndtag

Et låsehåndtag forhindrer, at der trækkes i afbryderkontakten ved et uheld. For at starte maskinen skal du trykke låsehåndtaget ind (i retning A) og derefter trække i afbryderkontakten (i retning B). Slip afbryderkontakten for at stoppe.

For maskiner med tryklåsekontakt og låsehåndtag

Et låsehåndtag forhindrer, at der trækkes i afbryderkontakten ved et uheld. For at starte maskinen skal du trykke låsehåndtaget ind (i retning A) og derefter trække i afbryderkontakten (i retning B). Slip afbryderkontakten for at stoppe. For kontinuerlig brug skal du trykke låsehåndtaget ind (i retning A), trække i afbryderkontakten (i retning B) og derefter trække i låsehåndtaget (i retning C).

Når du vil stoppe maskinen fra den låste position, skal du trække afbryderkontakten helt ind (i retning B) og derefter slippe den.

MONTERING

⚠ FORSIGTIG:

- Sørg altid for, at maskinen er slukket, og stikket er taget ud af stikkontakten, før du udfører nogen form for arbejde på maskinen. (Fig. 2)

⚠ FORSIGTIG:

- Når skivedækslet er monteret for større sikkerhed, skal du stramme de to sekskantbolte med en styrke på mere end 10 Nm for at fastgøre skivedækslet ordentligt.

Montering og afmontering af slibeskive

⚠ FORSIGTIG:

- Inden montering af slibeskiven skal du altid kontrollere, at der ikke er nogen uregelmæssigheder som f.eks. flænger eller revner i underlagsdelen.
- Strammes skiven for meget, kan det medføre beskadigelse. Strammes den ikke tilstrækkeligt medfører det rystelser. Stram den ydre flange korrekt.
- Brug altid slibeskiven med et underlag, som har en større diameter end sikringsmøtrikken, den ydre flange og den indre flange.

Kun for maskiner med støttedæksel (landespecifikt) (Fig. 3)

Inden montering eller afmontering af slibeskiven skal du åbne støttedækslet. Løsn vingeskrueerne på begge sider af støttedækslet og åbn det.

Efter fastgørelse af slibeskiven skal du lukke støttedækslet og derefter fastgøre vingeskrueerne ordentligt.

For alle maskiner

Type A (Fig. 4)

Fastgørelsesmetode for type A (Fig. 5)

Indsæt en skruetrækker i hullet i den indre flange. Grib om sikringsmøtrikken med skruenøglen til sikringsmøtrik og drej i skivens omdrejningsretning for at løsne sikringsmøtrikken. Fjern sikringsmøtrikken. Monter derefter skiven og stram sikringsmøtrikken i pilens retning som vist på figuren.

Type B (Fig. 6)

Type C (Fig. 7)

Fastgørelsesmetode for type B og C (Fig. 8)

Indsæt en skruetrækker i hullet i den indre flange. Grib om sekskantmøtrikken med skruenøglen og drej i skivens omdrejningsretning for at løsne sekskantmøtrikken. Fjern sekskantmøtrikken og den ydre flange. Monter derefter skiven, den ydre flange og sekskantmøtrikken. Stram sekskantmøtrikken i pilens retning som vist på figuren.

BETJENING

⚠ FORSIGTIG:

- Tryk let på maskinen. Hvis der trykkes for hårdt på maskinen, medfører det blot et dårligt finish, og at motoren bliver overbelastet.
- Slibeskiven fortsætter med at rotere, efter at der slukkes for maskinen.
- Hold maskinen fast med den ene hånd på kontakthåndtaget og den anden hånd på det forreste greb, når maskinen anvendes. (Fig. 9)

Ophængning (fås som tilbehør) (Fig. 10)

Kontinuerlig anvendelse af sliberen bliver nemt ved brug af den praktiske ophængning som vist på figuren. Før blot remmen over hoved og skulder, efter den er ført gennem øjet oven på maskinhuset.

VEDLIGEHOLDELSE

⚠ FORSIGTIG:

- Sørg altid for, at maskinen er slukket, og at stikket er taget ud, før du udfører inspektion eller vedligeholdelse.
- Brug aldrig benzin, benzen, fortynder, alkohol eller lignende. Det kan muligvis medføre misfarvning, deformation eller revner. (Fig. 11)

Maskinen og ventilationsåbningerne skal holdes rene. Rengør maskinens ventilationsåbninger regelmæssigt, eller når åbningerne begynder at blive tilstoppede.

Montering eller afmontering af støvdæksel (fås som tilbehør)

⚠ FORSIGTIG:

- Sørg altid for, at maskinen er slukket, og at stikket er taget ud af stikkontakten, før du monterer eller afmonterer støvdækselmonteringer.
- Hvis du ikke gør det, kan det beskadige maskinen eller forårsage personskade.
- Rengør støvdækselmonteringer, når luftgennemstrømningen gennem støvdækselmonteringer bliver forhindret pga. ophobning af støv og fremmedlegemer. Fortsat anvendelse i sådan en situation kan muligvis beskadige maskinen.
- Når du afmonterer støvdækselmonteringer, kan den fasthægtende del blive ødelagt, hvis du anvender kraft til at fjerne den uden at afhægte krog A eller B. (Fig. 12)

Støvdækselmontering H/V monteres henholdsvis på håndtag H/V med siderne, som vist ovenfor, vendende mod maskinen. (Fig. 13)

For at installere monteringerne skal du indsætte krog A og ribbe A forsigtigt ind i ventilationsåbning A.

Sæt krog B ind i ventilationsåbning B. (Fig. 14)

For at afmontere skal du løfte til op med en kærnskruetrækker i nærheden af krog B. Løft også op i nærheden af krog A.

BEMÆRK:

Støvdækselmonteringer installeret på GS5000 og GS6000 dækker ikke ventilationsåbningerne over og under kulholderen, der er designet til at være støvsikker.

Udskiftning af kulbørsterne (Fig. 15)

Når den isolerende harpiksspids i kulbørsterne kommer i kontakt med kommutatoren, slukkes der automatisk for motoren. Når det sker, skal begge kulbørster udskiftes. Hold kulbørsterne rene og frie til at glide i holderne. Begge kulbørster skal udskiftes samtidig. Brug altid identiske kulbørster. (Fig. 16)

Brug en skruetrækker til at fjerne kulholderdækslerne. Tag de udslidte kulbørster ud, monter de nye, og fastgør kulholderdækslerne.

For at holde produktet SIKKERT og PÅLIDELIGT skal reparationer samt al anden vedligeholdelse eller justering udføres af autoriserede Makita-servicecentre, og der skal altid benyttes Makita-reservedele.

EKSTRAUDSTYR

⚠ FORSIGTIG:

- Dette tilbehør eller ekstraudstyr anbefales til brug med det Makita-værktøj, som er beskrevet i denne brugsanvisning. Brug af andet tilbehør eller ekstraudstyr kan forårsage personskade. Brug kun tilbehør eller ekstraudstyr til det formål, det er beregnet til.

Henvend dig til dit lokale Makita-servicecenter, hvis du har brug for hjælp eller yderligere oplysninger vedrørende tilbehøret.

- Ophængning
- Støvdæksel
- Unbrakonøgle
- Nøgleholder

BEMÆRK:

- Visse dele på listen er muligvis indeholdt maskinindpakningen som standardtilbehør. De kan variere fra land til land.

Model GS5000, GS6000

Støj

ENG905-1

Det typiske A-vægtede støjniveau bestemt i overensstemmelse med EN60745:

Lydtryksniveau (L_{pA}): 83 dB (A)

Lydeffektniveau (L_{WA}): 94 dB (A)

Usikkerhed (K): 3 dB (A)

Bær høreværn.

Vibration

ENG900-1

Den samlede vibrationsværdi (treaksial vektorsum) bestemt i overensstemmelse med EN60745:

Arbejdstilstand: overfladeslibning

Vibrationsemission ($a_{h,SG}$): 2,5 m/s² eller mindre

Usikkerhed (K): 1,5 m/s²

ENG902-1

- Den opgivne vibrationsemissionsværdi er målt i overensstemmelse med standardtestmetoden og kan bruges til at sammenligne et værktøj med et andet.
- Den opgivne vibrationsemissionsværdi kan muligvis også bruges til en indledende eksponeringsvurdering.
- Den opgivne vibrationsemissionsværdi gælder, når maskinen benyttes til dens hovedfunktioner. Men hvis maskinen bruges til andre formål, vil vibrationsemissionsværdien muligvis være en anden.

⚠ ADVARSEL:

- Vibrationsemissionen under den faktiske brug af maskinen kan afvige fra den opgivne emissionsværdi afhængigt af den måde, maskinen anvendes på.
- Sørg for at bestemme sikkerhedsforanstaltninger for beskyttelse af operatøren, som er baseret på en eksponeringsvurdering for brug under faktiske forhold (hvor alle anvendelsescyklussens dele inddrages, som f.eks. antal gange maskinen slukkes, og når den kører i tomgang ud over triggertiden).

Kun for europæiske lande

ENH101-18

EF-overensstemmelseserklæring

Makita erklærer at følgende maskine(r):

Maskinens betegnelse:

Ligesliber

Modelnummer/type: GS5000, GS6000

Overholder følgende europæiske direktiver:

2006/42/EF

De er produceret i overensstemmelse med den følgende standard eller standardiserede dokumenter:

EN60745

Den tekniske fil er i overensstemmelse med 2006/42/EF til rådighed fra:

Makita, Jan-Baptist Vinkstraat 2, 3070, Belgien

1. 2. 2016



Yasushi Fukaya
Direktør

Makita, Jan-Baptist Vinkstraat 2, 3070, Belgien

ΕΛΛΗΝΙΚΑ (Πρωτογενείς οδηγίες)

Περιγραφή γενικής όψης

- | | | |
|---------------------------------|--|------------------------------------|
| 1. Σκανδάλη διακόπτης | 13. Κατσαβίδι | 23. Λαβή Α |
| 2. Μοχλός κλειδώματος | 14. Εσωτερική φλάντζα | 24. Προσάρτημα καλύμματος σκόνης Α |
| 3. Εξάγωνο άλεν | 15. Κλειδί ασφαλιστικού παξιμαδιού | 25. Άγκιστρο Β |
| 4. Εξάγωνο μπουλόνι | 16. Εξάγωνο παξιμάδι | 26. Άγκιστρο Α |
| 5. Εξάγωνο ασφαλιστικό παξιμάδι | 17. Εξωτερική φλάντζα (κυρτού τύπου) | 27. Ράβδωση Α |
| 6. Σφίξτε | 18. Εξωτερική φλάντζα (επίπεδου τύπου) | 28. Άνοιγμα Α |
| 7. Ξεσφίξτε | 19. Άνοιγμα εξάτμισης | 29. Άνοιγμα Β |
| 8. Μπουλόνι πεταλούδα | 20. Άνοιγμα εισόδου αέρα | 30. Μετατροπέας |
| 9. Κάλυμμα στήριξης | 21. Λαβή Δ | 31. Μονωτική μύτη |
| 10. Ασφαλιστικό παξιμάδι | 22. Προσάρτημα καλύμματος σκόνης Δ | 32. Καρβουνάκι |
| 11. Λειαντικός τροχός | | 33. Καπάκι θήκης ψήκτρας |
| 12. Άτρακτος | | |

ΠΡΟΔΙΑΓΡΑΦΕΣ

Μοντέλο		GS5000	GS6000
Μέγιστες διαστάσεις τροχού (διάμετρος × πάχος)		125 mm × 20 mm	150 mm × 20 mm
Σπείρωμα ατράκτου		M14 ή 1/2" (εξαρτάται από τη χώρα)	
Ταχύτητα χωρίς φορτίο (min ⁻¹)		5.600	
Ολικό μήκος	Με κάλυμμα στήριξης	590 mm	590 mm
	Χωρίς κάλυμμα στήριξης	588 mm	588 mm
Καθαρό βάρος	Με κάλυμμα στήριξης	5,0 kg	5,2 kg
	Χωρίς κάλυμμα στήριξης	4,9 kg	5,0 kg
Τάξη ασφάλειας		□/II	

- Λόγω του συνεχόμενου προγράμματος που εφαρμόζουμε για έρευνα και ανάπτυξη, τα τεχνικά χαρακτηριστικά στο παρόν έντυπο υπόκεινται σε αλλαγή χωρίς προειδοποίηση.
- Τα τεχνικά χαρακτηριστικά ενδέχεται να διαφέρουν ανάλογα με τη χώρα.
- Βάρος σύμφωνα με τη διαδικασία ΕΡΤΑ 01/2003

Σύμβολα

END202-8

Παρακάτω παρουσιάζουν τα σύμβολα που χρησιμοποιούνται για τον εξοπλισμό. Βεβαιωθείτε ότι κατανοείτε τη σημασία τους πριν από τη χρήση.



..... Διαβάστε το εγχειρίδιο οδηγιών.



..... ΔΙΠΛΗ ΜΟΝΩΣΗ



..... Να φοράτε γυαλιά προστασίας.



..... Μόνο για τις χώρες της ΕΕ

Μην απορρίπτετε ηλεκτρικές συσκευές στον κάδο οικιακών απορριμμάτων! Σύμφωνα με την Ευρωπαϊκή Οδηγία περί των απορριμμάτων ηλεκτρικών και ηλεκτρονικών συσκευών και την ενσωμάτωση της στο εθνικό δίκαιο, οι ηλεκτρικές συσκευές, των οποίων έχει παρέλθει ο χρόνος ωφέλιμης ζωής τους, θα πρέπει να συλλέγονται ξεχωριστά και να επιστρέφονται σε εγκαταστάσεις περιβαλλοντικής ανακύκλωσης.

Προοριζόμενη χρήση

ENE050-1

Το εργαλείο προορίζεται για λείανση σιδηρούχων υλικών ή χυτών μετάλλων.

Ηλεκτρική παροχή

ENF002-2

Το εργαλείο πρέπει να συνδέεται μόνο σε ηλεκτρική παροχή της ίδιας τάσης με αυτήν που αναγράφεται στην πινακίδα ονομαστικών τιμών και μπορεί να λειτουργήσει μόνο με εναλλασσόμενο μονοφασικό ρεύμα. Τα εργαλεία αυτά διαθέτουν διπλή μόνωση και συνεπώς μπορούν να συνδεθούν με πρίζες χωρίς γείωση.

Γενικές Προειδοποιήσεις Ασφαλείας Του Ηλεκτρικού Εργαλείου

GEA010-1

⚠ ΠΡΟΕΙΔΟΠΟΙΗΣΗ Διαβάστε όλες τις προειδοποιήσεις ασφαλείας και όλες τις οδηγίες. Αν δεν ακολουθήσετε όλες τις προειδοποιήσεις και τις οδηγίες, υπάρχει κίνδυνος ηλεκτροπληξίας, πυρκαγιάς ή/και σοβαρού τραυματισμού.

Φυλάξτε όλες τις προειδοποιήσεις και τις οδηγίες για μελλοντική αναφορά.

ΠΡΟΕΙΔΟΠΟΙΗΣΕΙΣ ΑΣΦΑΛΕΙΑΣ ΕΥΘΥΛΕΙΑΝΤΗΡΑ

GEB108-4

Κοινές προειδοποιήσεις ασφαλείας για τη λειτουργία λείανσης:

- Αυτό το ηλεκτρικό εργαλείο προορίζεται να λειτουργήσει ως εργαλείο λείανσης. Διαβάστε όλες τις προειδοποιήσεις ασφαλείας, τις οδηγίες, τις εικόνες και τις προδιαγραφές που παρέχονται με αυτό το ηλεκτρικό εργαλείο.** Αν δεν ακολουθήσετε όλες τις οδηγίες που παρατίθενται παρακάτω, υπάρχει κίνδυνος ηλεκτροπληξίας, πυρκαγιάς ή/και σοβαρού τραυματισμού.
- Δεν συνιστάται να πραγματοποιούνται λειτουργίες όπως γυάλισμα, συρμάτινο βούρτσισμα, λουστράρισμα ή κοπή με αυτό το ηλεκτρικό εργαλείο.** Αν χρησιμοποιηθεί το ηλεκτρικό εργαλείο για εργασίες για τις οποίες δεν έχει σχεδιαστεί, ενδεχομένως να προκληθεί κίνδυνος και προσωπικός τραυματισμός.
- Μη χρησιμοποιείτε εξαρτήματα που δεν είναι ειδικά σχεδιασμένα από τον κατασκευαστή του εργαλείου και τα οποία δεν συνιστά ο κατασκευαστής του εργαλείου.** Αν και είναι δυνατό να προσαρτηθεί ένα εξάρτημα στο ηλεκτρικό εργαλείο σας, αυτό δεν σημαίνει ότι μπορεί να λειτουργεί με ασφάλεια.
- Η ονομαστική ταχύτητα του εξαρτήματος πρέπει να είναι τουλάχιστον ίση με τη μέγιστη ταχύτητα που αναγράφεται στο ηλεκτρικό εργαλείο.** Τα εξαρτήματα που λειτουργούν με ταχύτητα υψηλότερη από την ονομαστική ταχύτητά τους μπορεί να σπάζουν και να εκτιναχθούν τα μέρη τους.
- Η εξωτερική διάμετρος και το πάχος του εξαρτήματος σας πρέπει να βρίσκονται εντός των δυνατοτήτων του ηλεκτρικού εργαλείου σας.** Τα εξαρτήματα με λανθασμένο μέγεθος δεν προστατεύονται ούτε ελέγχονται ικανοποιητικά.
- Το σπείρωμα για τη στερέωση των εξαρτημάτων πρέπει να ταιριάζει με το σπείρωμα της ατράκτου του λειαντήρα.** Για εξαρτήματα που στερεώνονται με φλάντζες, η τρύπα του άξονα του εξαρτήματος πρέπει να ταιριάζει με τη διάμετρο έδρασης της φλάντζας. Τα εξαρτήματα που δεν ταιριάζουν με τον εξοπλισμό στερέωσης του ηλεκτρικού εργαλείου θα λειτουργούν ιδιόρρυθμα, προκαλώντας υπερβολικούς κραδασμούς και ενδεχομένως απώλεια έλεγχου.
- Μη χρησιμοποιείτε εξαρτήματα που έχουν υποστεί βλάβη.** Πριν τη κάθε χρήση εξετάστε το εξάρτημα όπως τους λειαντικούς τροχούς για σπασίματα και ρωγμές. Αν το ηλεκτρικό εργαλείο ή ένα εξάρτημα πέσει κάτω, ελέγξτε για ζημιές ή εγκαταστήστε ένα εξάρτημα που δεν έχει υποστεί βλάβη. Μετά την εξέταση και την εγκατάσταση ενός εξαρτήματος, παραμείνετε ελακτά και οι παρευρισκόμενοι μακριά από το επίπεδο του περιστρεφόμενου εξαρτήματος και λειτουργήστε το ηλεκτρικό εργαλείο στη μέγιστη ταχύτητα χωρίς φορτίο για ένα λεπτό. Τα εξαρτήματα που έχουν υποστεί βλάβη, συνήθως σπάνε κατά τη διάρκεια αυτής της δοκιμής.
- Να φοράτε προσωπικό προστατευτικό εξοπλισμό.** Ανάλογα με την εφαρμογή, να χρησιμοποιείτε προσωπίδα, προστατευτικά ματιών ή προστατευτικά γυαλιά. Αν είναι απαραίτητο, να φοράτε προστασία κατά της σκόνης, ωτοασπίδες, γάντια και φόρμα συνεργείου που έχουν τη δυνατότητα να σταματούν την κίνηση μικρών θραυσμάτων που προέρχονται από τη λείανση ή το τεμάχιο εργασίας. Ο προστατευτικός εξοπλισμός για τα μάτια πρέπει να έχει τη δυνατότητα να σταματά την κίνηση των εκτινασόμενων θραυσμάτων που δημιουργούνται από τις διάφορες εργασίες. Η προσωπίδα κατά της σκόνης ή ο αναπνευστήρας πρέπει να έχει τη δυνατότητα να φιλτράρει τα σωματίδια που δημιουργούνται από την εργασία που εκτελείται. Η παρατεταμένη έκθεση σε θόρυβο υψηλής έντασης μπορεί να προκαλέσει απώλεια ακοής.
- 9. Να απομακρύνετε τους μη έγχοντες εργασίας σε ασφαλή απόσταση από το χώρο εργασίας. Κάθε άτομο που εισέρχεται στο χώρο εργασίας πρέπει να φορά προσωπικό προστατευτικό εξοπλισμό.** Μπορεί να εκτιναχθούν θραύσματα από το τεμάχιο εργασίας ή από ένα σπασμένο εξάρτημα και να προκαλέσουν τραυματισμό σε άτομα που βρίσκονται μακριά από την άμεση περιοχή της εργασίας.
- 10. Να κρατάτε το ηλεκτρικό εργαλείο μόνο από τις λαβές με μόνωση όταν εκτελείτε εργασίες κατά τις οποίες το κοπτικό εξάρτημα μπορεί να έρθει σε επαφή με κρώμια καλώδια ή με το ίδιο του το καλώδιο.** Αν το κοπτικό εξάρτημα έρθει σε επαφή με κάποιο ηλεκτροφόρο καλώδιο, τα εκτεθειμένα μεταλλικά μέρη του ηλεκτρικού εργαλείου θα γίνουν κι αυτά ηλεκτροφόρα και μπορεί να προκληθεί ηλεκτροπληξία στο χειριστή.
- 11. Να τοποθετείτε το ηλεκτρικό καλώδιο μακριά από το περιστρεφόμενο εξάρτημα.** Αν χάσετε τον έλεγχο, το ηλεκτρικό καλώδιο μπορεί να κοπεί ή να σκαλώσει, και μπορεί να τραβήξει το χέρι ή το βραχιόνι σας μέσα στο περιστρεφόμενο εξάρτημα.
- 12. Ποτέ να μην τοποθετείτε κάτω το ηλεκτρικό εργαλείο έως ότου το εξάρτημα σταματήσει τελείως.** Το περιστρεφόμενο εξάρτημα ενδεχομένως να πιαστεί στην επιφάνεια και να χάσετε τον έλεγχο του ηλεκτρικού εργαλείου.
- 13. Μη θέτετε το ηλεκτρικό εργαλείο σε λειτουργία ενώ το μεταφέρετε κρατώντας το στο πλάι σας.** Η τυχαία επαφή με το περιστρεφόμενο εξάρτημα μπορεί να έχει ως αποτέλεσμα να πιαστούν τα ρούχα σας και να εξάρτημα να τραβηχτεί προς το σώμα σας.
- 14. Να καθαρίζετε τακτικά τα ανοίγματα εξαερισμού του ηλεκτρικού εργαλείου.** Ο ανεμιστήρας του μοτέρ τραβεί τη σκόνη στο εσωτερικό του περιβλήματος και η υπερβολική συσσώρευση μετάλλου σε μορφή σκόνης ενδεχομένως να προκαλέσει κίνδυνο ηλεκτροπληξίας.
- 15. Μη θέτετε σε λειτουργία το ηλεκτρικό εργαλείο κοντά σε εύφλετα υλικά.** Οι σπινθήρες μπορούν να προκαλέσουν ανάφλεξη αυτών των υλικών.
- 16. Μη χρησιμοποιείτε εξαρτήματα που απαιτούν υγρά ψυκτικά.** Η χρήση νερού ή άλλων υγρών ψυκτικών μπορεί να έχει ως αποτέλεσμα την ηλεκτροπληξία.

Κλώστσημα και σχετικές προειδοποιήσεις

Το κλώστσημα είναι μια ξαφνική αντίδραση όταν αποκοπεί ή σκαλώσει ο περιστρεφόμενος τροχός, το σπίθωμα στήριξης, η βούρτσα ή κάποιο άλλο εξάρτημα. Η αποκοπή

ή το σκάλωμα προκαλεί την απότομη εμπλοκή του περιστρεφόμενου εξαρτήματος, το οποίο με τη σειρά του προκαλεί την κίνηση του ανεξέλεγκτου ηλεκτρικού εργαλείου προς την αντίθετη κατεύθυνση της περιστροφής του εξαρτήματος στο σημείο της εμπλοκής. Για παράδειγμα, αν ένας λειαντικός τροχός αποκοπεί ή σκαλώσει στο τεμάχιο εργασίας, το άκρο του τροχού που εισέρχεται στο σημείο αποκοπής μπορεί να σκάψει μέσα στην επιφάνεια του υλικού και να έχει ως αποτέλεσμα ο τροχός να εξέλθει από αυτό ή να κλωστήσει. Ο τροχός μπορεί να πεταχτεί προς το χειριστή ή μακριά από αυτόν, ανάλογα με την κατεύθυνση κίνησης του τροχού στο σημείο της αποκοπής. Οι λειαντικοί τροχοί μπορεί και να σπάσουν κάτω από αυτές τις συνθήκες.

Το κλώσημα προκαλείται όταν το ηλεκτρικό εργαλείο χρησιμοποιείται λανθασμένα ή/και όταν οι διαδικασίες ή οι συνθήκες λειτουργίας είναι λανθασμένες, ενώ μπορεί να αποφευχθεί αν ληφθούν οι κατάλληλες προφυλάξεις που αναφέρονται παρακάτω.

a) **Να κρατάτε το ηλεκτρικό εργαλείο γερά και να τοποθετείτε το σώμα και τους βραχιόνες σας έτσι ώστε να μπορείτε να αντισταθείτε στις δυνάμεις του κλωσήματος. Να χρησιμοποιείτε πάντα τη βοηθητική λαβή, αν παρέχεται, για μέγιστο έλεγχο κατά του κλωσήματος ή της αντίδρασης ροπής κατά την έναρξη της λειτουργίας.** Ο χειριστής μπορεί να ελέγχει τις αντιδράσεις ροπής ή τις δυνάμεις κλωσήματος αν λάβει τις κατάλληλες προφυλάξεις.

b) **Μην τοποθετείτε ποτέ τα χέρια σας κοντά στο περιστρεφόμενο εξάρτημα.** Το εξάρτημα μπορεί να κλωστήσει επάνω από το χέρι σας.

c) **Μην τοποθετείτε το σώμα σας στην περιοχή που θα κινηθεί το ηλεκτρικό εργαλείο στην περίπτωση που αυτό κλωστήσει.** Το κλώσημα θα προωθήσει το εργαλείο προς την αντίθετη κατεύθυνση της κίνησης του τροχού στο σημείο του σκαλώματος.

d) **Να είστε ιδιαίτερα προσεκτικοί όταν εργάζεστε σε γωνίες, αιχμηρές άκρες, κτλ. Να αποφεύγετε την αναπήδηση και το σκάλωμα του εξαρτήματος.** Οι γωνίες, οι αιχμηρές άκρες ή η αναπήδηση έχουν την τάση να σκαλώνουν το περιστρεφόμενο εξάρτημα και να προκαλούν την απώλεια ελέγχου ή το κλώσημα.

e) **Μην προσαρτάτε μια λάμα αλυσοπρίονου για ξύλο ή οδοντωτή λάμα.** Τέτοιες λάμες δημιουργούν συχνά κλώσημα και απώλεια του ελέγχου.

Προειδοποιήσεις ασφαλείας ειδικά για τη λείανση:

a) **Να χρησιμοποιείτε μόνο είδη τροχών που συνιστώνται για το ηλεκτρικό εργαλείο σας και να χρησιμοποιείτε το ειδικό προστατευτικό που έχει σχεδιαστεί για τον επιλεγμένο τροχό.** Οι τροχοί για τους οποίους δεν είναι σχεδιασμένο το ηλεκτρικό εργαλείο δεν μπορούν να προστατευτούν ικανοποιητικά και είναι ανασφαλείς.

b) **Ο προφυλακτήρας πρέπει να προσαρτηθεί με ασφάλεια στο ηλεκτρικό εργαλείο και να τοποθετηθεί ώστε να παρέχει μέγιστη ασφάλεια, με τρόπο ώστε ο χειριστής να είναι εκτεθειμένος σε όσο το δυνατό μικρότερο μέρος του τροχού.**

Το προστατευτικό βοηθά στην προστασία του χειριστή από σπασμένα μέρη του τροχού, ακούσια επαφή με τον τροχό και από τους σπινθήρες

που μπορούν να προκαλέσουν ανάφλεξη του ρουχισμού.

c) **Να χρησιμοποιείτε πάντα φλάντζες τροχών με το σωστό μέγεθος και σχήμα για τον επιλεγμένο τροχό σας, οι οποίες δεν έχουν υποστεί βλάβη.** Οι σωστές φλάντζες τροχού υποστηρίζουν τον τροχό μειώνοντας κατά αυτόν τον τρόπο την πιθανότητα σπασίματος του τροχού. Οι φλάντζες για τους τροχούς κοπής ενδεχομένως να διαφέρουν από τις φλάντζες λειαντικών τροχών.

d) **Μη χρησιμοποιείτε φθαρμένους τροχούς από μεγαλύτερα ηλεκτρικά εργαλεία.** Ο τροχός που προορίζεται για μεγαλύτερα ηλεκτρικά εργαλεία δεν είναι κατάλληλος για την υψηλότερη ταχύτητα των μικρότερων εργαλείων, και ενδεχομένως να σπάσει.

Επιπρόσθετες προειδοποιήσεις ασφαλείας:

17. **Ποτέ μην χρησιμοποιήσετε τροχούς με χαμηλωμένο κέντρο ή λειαντικούς τροχούς κοπής**
18. **Να προσέχετε ώστε να μην καταστρέψετε την άτρακτο, τη φλάντζα (ειδικά την επιφάνεια τοποθέτησης) ή το ασφαλιστικό παξιμάδι.** Αν τα εξαρτήματα αυτά είναι κατεστραμμένα, μπορεί να επιβληθεί ως αποτέλεσμα το σπάσιμο του τροχού.
19. **Βεβαιωθείτε ότι ο τροχός δεν ακουμπά το τεμάχιο εργασίας πριν ενεργοποιήσετε το διακόπτη λειτουργίας.**
20. **Πριν χρησιμοποιήσετε το εργαλείο σε ένα πραγματικό τεμάχιο εργασίας, να το αφήνετε να λειτουργεί για λίγη ώρα.** Να προσέχετε για κραδασμούς ή κινήσεις που θα μπορούσαν να υποδεικνύουν κακή τοποθέτηση ή κακή ισορροπία του τροχού.
21. **Να χρησιμοποιείτε την καθορισμένη επιφάνεια του τροχού για την εκτέλεση του τροχίσματος.**
22. **Μην αφήνετε το εργαλείο σε λειτουργία.** Το εργαλείο πρέπει να βρίσκεται σε λειτουργία μόνο όταν το κρατάτε.
23. **Μην αγγίζετε το τεμάχιο εργασίας αμέσως μετά τη λειτουργία του εργαλείου.** Μπορεί να είναι εξαιρετικά θερμό και να προκληθεί έγκαυμα στο δέρμα σας.
24. **Να τηρείτε τις οδηγίες του κατασκευαστή όσον αφορά τη σωστή τοποθέτηση και χρήση των τροχών.** Να χειρίζεστε και να αποθηκεύετε τους τροχούς με προσοχή.
25. **Να χρησιμοποιείτε μόνο φλάντζες κατάλληλες για αυτό το εργαλείο.**
26. **Ελέγξτε ότι το τεμάχιο εργασίας υποστηρίζεται σωστά.**
27. **Να προσέχετε όταν ο τροχός συνεχίζει να περιστρέφεται ακόμη και αφού απενεργοποιήσετε το εργαλείο.**
28. **Εάν το περιβάλλον εργασίας είναι πολύ ζεστό και υγρό ή εάν υπάρχει υπερβολική αγωγίμη σκόνη, να χρησιμοποιείτε ασφάλεια βραχυκυκλώματος (30 mA) για να εξασφαλίσετε την ασφάλεια του χειριστή.**
29. **Μη χρησιμοποιείτε το εργαλείο σε κανένα υλικό που περιέχει αμίαντο.**
30. **Να βεβαιώνετε πάντοτε ότι στέκεστε σταθερά.** Όταν χρησιμοποιείτε το εργαλείο σε υψηλές τοποθεσίες, να βεβαιώνετε ότι δεν βρίσκεται κανένας από κάτω.

ΦΥΛΑΞΤΕ ΑΥΤΕΣ ΤΙΣ ΟΔΗΓΙΕΣ.

ΠΡΟΕΙΔΟΠΟΙΗΣΗ:

ΜΗΝ επιτρέψετε στη βολικότητα ή στην εξοικειωσή σας με το προϊόν (που αποκτήθηκε από επανειλημμένη χρήση) να αντικαταστήσει την αυστηρή προσήλωση στους κανόνες ασφαλείας του εν λόγω προϊόντος. Η ΛΑΝΘΑΣΜΕΝΗ ΧΡΗΣΗ ή η μη τήρηση των κανόνων ασφαλείας που διατυπώνονται στο παρόν εγχειρίδιο οδηγιών μπορεί να προκαλέσει σοβαρό τραυματισμό.

ΠΕΡΙΓΡΑΦΗ ΛΕΙΤΟΥΡΓΙΑΣ

ΠΡΟΣΟΧΗ:

- Να βεβαιώνετε πάντοτε ότι το εργαλείο είναι σβηστό και αποσυνδεδεμένο από το ηλεκτρικό ρεύμα πριν ρυθμίσετε ή ελέγξετε κάποια λειτουργία του.

Δράση διακόπτη (Εικ. 1)

ΠΡΟΣΟΧΗ:

- Πριν συνδέετε το εργαλείο, πάντοτε να ελέγχετε ότι η σκανδάλη-διακόπτης ενεργοποιείται κανονικά και επιστρέφει στη θέση "OFF" όταν την αφήνετε.

Για εργαλείο με διακόπτη κλειδώματος

ΠΡΟΣΟΧΗ:

- Ο διακόπτης μπορεί να κλειδώσει στην ενεργή θέση "ON" για διευκόλυνση του χειριστή κατά την παρατεταμένη χρήση. Δώστε προσοχή όταν το εργαλείο βρίσκεται κλειδωμένο στην ενεργή θέση "ON" και κρατάτε το γερά.

Για να ξεκινήσετε το εργαλείο, απλώς πιέστε τη σκανδάλη-διακόπτης (προς την κατεύθυνση Β). Για να σταματήσετε το εργαλείο, αφήστε τη σκανδάλη-διακόπτης. Για συνεχόμενη λειτουργία, πιέστε τη σκανδάλη-διακόπτης (προς την κατεύθυνση Β) και κατόπιν πιέστε προς τα μέσα το μοχλό κλειδώματος (προς την κατεύθυνση Α). Για να βγάλετε το εργαλείο από την κλειδωμένη θέση, τραβήξτε πλήρως τη σκανδάλη-διακόπτης (προς την κατεύθυνση Β) και κατόπιν αφήστε την.

Για εργαλείο με διακόπτη ασφάλισης

Για να μην πιεστεί η σκανδάλη-διακόπτης κατά λάθος, παρέχεται ένας μοχλός κλειδώματος. Για να θέσετε το εργαλείο σε λειτουργία, κλείστε προς τα μέσα το μοχλό κλειδώματος (προς την κατεύθυνση Α) και κατόπιν πιέστε τη σκανδάλη-διακόπτης (προς την κατεύθυνση Β). Για να σταματήσετε το εργαλείο, αφήστε τη σκανδάλη-διακόπτης.

Για εργαλείο με διακόπτη ασφάλισης και κλειδώματος

Για να μην πιεστεί η σκανδάλη-διακόπτης κατά λάθος, παρέχεται ένας μοχλός κλειδώματος. Για να θέσετε το εργαλείο σε λειτουργία, πιέστε προς τα μέσα το μοχλό κλειδώματος (προς την κατεύθυνση Α) και κατόπιν πιέστε τη σκανδάλη-διακόπτης (προς την κατεύθυνση Β). Για να σταματήσετε το εργαλείο, αφήστε τη σκανδάλη-διακόπτης. Για συνεχόμενη λειτουργία, πιέστε προς τα μέσα το μοχλό κλειδώματος (προς την κατεύθυνση Α), τραβήξτε τη σκανδάλη-διακόπτης (προς την κατεύθυνση Β) και κατόπιν τραβήξτε το μοχλό κλειδώματος (προς την κατεύθυνση C).

Για να βγάλετε το εργαλείο από την κλειδωμένη θέση, τραβήξτε πλήρως τη σκανδάλη-διακόπτης (προς την κατεύθυνση Β) και κατόπιν αφήστε την.

ΣΥΝΑΡΜΟΛΟΓΗΣΗ

ΠΡΟΣΟΧΗ:

- Να βεβαιώνετε πάντοτε ότι το εργαλείο είναι σβηστό και αποσυνδεδεμένο από το ηλεκτρικό ρεύμα πριν εκτελέσετε οποιαδήποτε εργασία σε αυτό. (Εικ. 2)

ΠΡΟΣΟΧΗ:

- Όταν βρίσκεται τοποθετημένο το κάλυμμα του τροχού για περισσότερη ασφάλεια, σφίξτε τα δύο εξάγωνα μπουλόνια με δύναμη μεγαλύτερη των 10 N.m, ώστε να ασφαλίσετε σωστά το κάλυμμα τροχού.

Εγκατάσταση ή αφαίρεση λειαντικού τροχού

ΠΡΟΣΟΧΗ:

- Πριν από την εγκατάσταση του λειαντικού τροχού, πάντοτε να ελέγχετε ότι το τμήμα του στυπώχαρτου δεν φέρει κάποιες ανωμαλίες όπως ρινίσματα ή ρωγμές.
- Το υπερβολικό σφίξιμο του τροχού μπορεί να προκαλέσει θραύση. Αν δεν υπάρχει επαρκώς σφίξιμο θα προκληθούν κραδασμοί. Σφίξτε την εξωτερική φλάντζα καταλλήλως.
- Χρησιμοποιείτε πάντοτε το λειαντικό τροχό με το στυπώχαρτο να έχει μεγαλύτερη διάμετρο από το ασφαλιστικό παξιμάδι ή την εξωτερική φλάντζα και την εσωτερική φλάντζα.

Για εργαλείο με κάλυμμα στήριξης μόνο (ανάλογα με τη χώρα) (Εικ. 3)

Προτού τοποθετήσετε ή αφαιρέσετε το λειαντικό τροχό, ανοίξτε το κάλυμμα στήριξης. Ξεσφίξτε τα μπουλόνια πεταλούδας και από τις δυο πλευρές του καλύμματος στήριξης και στη συνέχεια ανοίξτε το.

Μετά από τη στερέωση του λειαντικού τροχού, κλείστε το κάλυμμα στήριξης και στη συνέχεια ασφαλίστε τα μπουλόνια πεταλούδας κατάλληλα.

Για όλα τα εργαλεία

Τύπος Α (Εικ. 4)

Μέθοδος στερέωσης για τον τύπο Α (Εικ. 5)

Εισαγάγετε ένα κατσαβίδι μέσα στην οπή στην εξωτερική φλάντζα. Πιάστε το ασφαλιστικό παξιμάδι με το κλειδί του ασφαλιστικού παξιμαδιού, περιστρέφοντας το προς την κατεύθυνση της περιστροφής του τροχού για να χαλαρώσετε το ασφαλιστικό παξιμάδι. Αφαιρέστε το ασφαλιστικό παξιμάδι. Στη συνέχεια, τοποθετήστε τον τροχό και σφίξτε το ασφαλιστικό παξιμάδι προς την κατεύθυνση του βέλους που δείχνεται στην εικόνα.

Τύπος Β (Εικ. 6)

Τύπος Γ (Εικ. 7)

Μέθοδος στερέωσης για τους τύπους Β και Γ (Εικ. 8)

Εισαγάγετε ένα κατσαβίδι μέσα στην οπή στην εσωτερική φλάντζα. Πιάστε το εξάγωνο παξιμάδι με το κλειδί περιστρέφοντας το προς την κατεύθυνση της περιστροφής του τροχού για να χαλαρώσετε το εξάγωνο παξιμάδι. Αφαιρέστε το εξάγωνο παξιμάδι και την

εξωτερική φλάντζα. Στη συνέχεια τοποθετήστε τον τροχό, την εξωτερική φλάντζα και εξάγωνο παξιμάδι. Σφίξτε το εξάγωνο παξιμάδι προς την διεύθυνση του βέλους που δείχνεται στην εικόνα.

ΛΕΙΤΟΥΡΓΙΑ

⚠ ΠΡΟΣΟΧΗ:

- Να εφαρμόζετε ελαφριά πίεση στο εργαλείο. Η υπερβολική πίεση στο εργαλείο θα προκαλέσει μόνο ανεπαρκές τελείωμα και υπερθέρμανση του μοτέρ.
- Ο λειαντικός τροχός συνεχίζει να περιστρέφεται ακόμη και αφού απενεργοποιηθεί το εργαλείο.
- Κρατήστε το εργαλείο σταθερά με το ένα χέρι στη λαβή διακόπτη και το άλλο χέρι στη μπροστινή λαβή όταν χειρίζεστε το εργαλείο. **(Εικ. 9)**

Αναρτήρας (προαιρετικό αξεσουάρ)

(Εικ. 10)

Η συνεχής λειτουργία του λειαντή γίνεται εύκολη χρησιμοποιώντας τον εύχρηστο αναρτήρα όπως φαίνεται στο σχήμα. Απλά κρεμάστε το κορδόνι πάνω από το κεφάλι και τους ώμους, αφού το περάσετε μέσα από τον κρίκο στο επάνω μέρος της συσκευής.

ΣΥΝΤΗΡΗΣΗ

⚠ ΠΡΟΣΟΧΗ:

- Να βεβαιώνετε πάντοτε ότι το εργαλείο είναι σβηστό και αποσυνδεδεμένο από το ηλεκτρικό ρεύμα πριν εκτελέσετε οποιαδήποτε εργασία ελέγχου ή συντήρησης σε αυτό.
- Μην χρησιμοποιήσετε βενζίνη, βενζόλη, διαλυτικό, αλκοόλη ή κάτι παρόμοιο. Μπορεί να προκληθεί αποχρωματισμός, παραμόρφωση ή ρωγμές. **(Εικ. 11)**

Το εργαλείο και τα ανοίγματα εξερισμού του πρέπει να διατηρούνται καθαρά. Να καθαρίζετε τακτικά τα ανοίγματα εξερισμού του εργαλείου ή όταν αυτά αρχίσουν να μπλοκάρουν.

Τοποθέτηση ή αφαίρεση του καλύμματος σκόνης (προαιρετικό αξεσουάρ)

⚠ ΠΡΟΣΟΧΗ:

- Να βεβαιώνετε πάντοτε ότι το εργαλείο είναι σβηστό και αποσυνδεδεμένο από το ηλεκτρικό ρεύμα πριν τοποθετήσετε ή αφαιρέσετε τα προσαρτήματα καλύμματος σκόνης.
- Εάν δεν το κάνετε αυτό προκαλείται βλάβη στο εργαλείο ή προσωπικός τραυματισμός.
- Καθαρίστε τα προσαρτήματα καλύμματος σκόνης όταν φράζει η ροή του αέρα μέσα από τα προσαρτήματα καλύμματος σκόνης λόγω συσσώρευσης σκόνης ή ξένων σωμάτων. Η συνέχιση της λειτουργίας σε μια τέτοια κατάσταση ενδέχεται να καταστρέψει το εργαλείο.
- Κατά την αφαίρεση των προσαρτημάτων καλύμματος σκόνης, αν ασκήσετε βία προς τα πάνω χωρίς να απαγκιστρώσετε το άγκιστρο Α ή Β μπορεί να σπάσει το τμήμα αγκίστρωσης. **(Εικ. 12)**

Τα προσαρτήματα καλύμματος σκόνης Δ/Α εγκαθίστανται ξεχωριστά στις λαβές Δ/Α με τις πλευρές που δείχνονται παραπάνω στραμμένες προς το εργαλείο. **(Εικ. 13)**

Για την εγκατάσταση των προσαρτημάτων, εισάγετε ελαφρά το άγκιστρο Α και τη ράβδωση Α μέσα στο άνοιγμα Α.

Εισάγετε το άγκιστρο Β στο άνοιγμα Β. **(Εικ. 14)**

Για να το αφαιρέσετε, ανασηκώστε το με τη βοήθεια ενός σταυροκατσάβιδου κοντά στο άγκιστρο Β.

Επίσης ανασηκώστε το κοντά στο άγκιστρο Α.

ΣΗΜΕΙΩΣΗ:

Τα προσαρτήματα καλύμματος σκόνης που είναι εγκατεστημένα στα GS5000 και GS6000 δεν καλύπτουν τα ανοίγματα πάνω και κάτω από τη βάση ψηκτρών, τα οποία έχουν σχεδιασμό προστασίας έναντι της σκόνης.

Αλλαγή καρβουνακίων (Εικ. 15)

Όταν η μονωτική μύτη ρητίνης που βρίσκεται μέσα στο καρβουνάκι έρθει σε επαφή με το μετατροπέα, θα σβήσει αυτόματα το μοτέρ. Όταν συμβεί αυτό, θα πρέπει να αλλάξετε και τα δύο καρβουνάκια. Να διατηρείτε τα καρβουνάκια καθαρά και ελεύθερα για να γλιστρούν στις υποδοχές. Πρέπει να αλλάξετε ταυτόχρονα και τα δύο καρβουνάκια. Να χρησιμοποιείτε μόνο καρβουνάκια ίδιου τύπου. **(Εικ. 16)**

Με τη βοήθεια ενός κατσαβιδιού, βγάλτε τα καπάκια θηκών ψηκτρών. Βγάλτε τα φαρμάκια καρβουνακία, τοποθετήστε τα καινούργια και ασφαλίστε τα καπάκια θηκών ψηκτρών.

Για να διατηρείται η ΑΣΦΑΛΕΙΑ και η ΑΞΙΟΠΙΣΤΙΑ του προϊόντος, οι εργασίες επισκευής, καθώς και οποιαδήποτε άλλη εργασία συντήρησης ή ρύθμισης, θα πρέπει να εκτελούνται σε εξουσιοδοτημένα κέντρα εξυπηρέτησης της Makita, και πάντοτε με τη χρήση ανταλλακτικών της Makita.

ΠΡΟΑΙΡΕΤΙΚΑ ΑΞΕΣΟΥΑΡ

⚠ ΠΡΟΣΟΧΗ:

- Συνιστάται η χρήση αυτών των αξεσουάρ ή εξαρτημάτων με το εργαλείο της Makita, όπως περιγράφεται στο παρόν εγχειρίδιο. Αν χρησιμοποιήσετε άλλα αξεσουάρ ή εξαρτήματα μπορεί να παρουσιαστεί κίνδυνος για πρόκληση τραυματισμού προσώπων. Να χρησιμοποιείτε τα αξεσουάρ και τα εξαρτήματα μόνο για το σκοπό για τον οποίο προορίζονται.

Αν χρειάζεστε κάποια βοήθεια ή περισσότερες πληροφορίες σχετικά με τα αξεσουάρ αυτά, απευθυνθείτε στο πλησιέστερο κέντρο εξυπηρέτησης της Makita.

- Αναρτήρας
- Κάλυμμα σκόνης
- Εξάγωνο άλεν
- Στήριγμα κλειδιού

ΣΗΜΕΙΩΣΗ:

- Ορισμένα από τα στοιχεία της λίστα μπορεί να περιέχονται στην συσκευασία του εργαλείου ως κανονικά αξεσουάρ. Αυτά ενδέχεται να διαφέρουν από χώρα σε χώρα.

Μοντέλο GS5000, GS6000

Θόρυβος

ENG905-1

Το σύνθετο σταθμισμένο επίπεδο θορύβου που έχει καθοριστεί σύμφωνα με την EN60745:

Επίπεδο ηχητικής πίεσης (L_{pA}): 83 dB (A)

Επίπεδο ηχητικής ισχύος (L_{WA}): 94 dB (A)

Αβεβαιότητα (K): 3 dB (A)

Να φοράτε ωτοασπίδες.

Δόνηση

ENG900-1

Η συνολική τιμή δόνησης (διανυσματικό άθροισμα τριών αξόνων) που έχει καθοριστεί σύμφωνα με την EN60745:

Τρόπος λειτουργίας: λείανση επιφάνειας

Εκπομπή κραδασμού (a_{hSG}): 2,5 m/s² ή λιγότερο

Αβεβαιότητα (K): 1,5 m/s²

ENG902-1

- Η δηλωθείσα τιμή των παραγομένων κραδασμών έχει καταμετρηθεί σύμφωνα με την τυποποιημένη μέθοδο δοκιμασίας και μπορεί να χρησιμοποιηθεί για την σύγκριση ενός εργαλείου με ένα άλλο.
- Η δηλωθείσα τιμή των παραγομένων κραδασμών μπορεί επίσης να χρησιμοποιηθεί για μια προκαταρκτική αξιολόγηση της έκθεσης στους κραδασμούς.
- Η δηλωθείσα τιμή των παραγομένων κραδασμών χρησιμοποιείται για τις κύριες χρήσεις του ηλεκτρικού εργαλείου. Ωστόσο, εάν το ηλεκτρικό εργαλείο χρησιμοποιηθεί για άλλες εφαρμογές, η τιμή των παραγομένων κραδασμών μπορεί να είναι διαφορετική.

ΠΡΟΕΙΔΟΠΟΙΗΣΗ:

- Η εκπομπή κραδασμών κατά τη διάρκεια της πραγματικής χρήσης του ηλεκτρικού εργαλείου μπορεί να διαφέρει από τη δηλωθείσα τιμή των εκπομπών, ανάλογα με τον τρόπο με τον οποίο χρησιμοποιείται το εργαλείο.
- Φροντίστε να λάβετε τα μέτρα ασφαλείας που απαιτούνται για την προστασία του χρήστη που βασίζονται σε μια εκτίμηση της έκθεσης σε πραγματικές συνθήκες χρήσης (λαμβάνοντας υπόψη όλα τα μέρη του κύκλου λειτουργίας, όπως είναι οι περιπτώσεις κατά τις οποίες το εργαλείο είναι απενεργοποιημένο και όταν λειτουργεί στο ρελαντί επιπροσθέτως του χρόνου κατά τον οποίο το εργαλείο βρίσκεται σε χρήση).

Για τις ευρωπαϊκές χώρες μόνο

ENH101-18

EK – Δήλωση συμμόρφωσης

Η Makita δηλώνει ότι το παρακάτω μηχάνημα(τα):

Ονομασία μηχανήματος:

Ευθυλειαντήρας

Αρ. Μοντέλου/Τύπος: GS5000, GS6000

Συμμορφώνονται με τις ακόλουθες Ευρωπαϊκές

Οδηγίες:

2006/42/EK

Κατασκευάζονται σύμφωνα με το παρακάτω πρότυπο ή

τυποποιημένα έγγραφα:

EN60745

Το τεχνικό αρχείο σύμφωνα με την 2006/42/EK είναι διαθέσιμο από:

Makita, Jan-Baptist Vinkstraat 2, 3070, Belgium

1. 2. 2016



Yasushi Fukaya

Διευθυντής

Makita, Jan-Baptist Vinkstraat 2, 3070, Belgium

TÜRKÇE (Orijinal talimatlar)

Genel görünüm

1. Açma/kapama düğmesi
2. Kilitleme mandalı
3. Alyan anahtarı
4. Cıvata
5. Altı köşeli kilit somunu
6. Sıkılır
7. Gevşer
8. Kelebek cıvata
9. Destek kapağı
10. Kilit somunu
11. Taşlama disk
12. Mil
13. Tornavida
14. İç flanş
15. Kilit somunu anahtarı
16. Altı köşeli somun
17. Dış flanş (dışbükey tip)
18. Dış flanş (düz tip)
19. Hava çıkış kanalı
20. Hava giriş kanalı
21. Sağ kol
22. Sağ toz kapağı aparatı
23. Sol kol
24. Sol toz kapağı aparatı
25. B kancası
26. A kancası
27. A çıkıntısı
28. A kanalı
29. B kanalı
30. Komutatör
31. Yalıtkan uç
32. Karbon fırça
33. Fırça yuvası kapağı

TEKNİK ÖZELLİKLER

Model		GS5000	GS6000
Maksimum disk çapı (çap × kalınlık)		125 mm × 20 mm	150 mm × 20 mm
Mil dişlisi		M14 veya 1/2" (ükiye özel)	
Yüksüz devir (dak ⁻¹)		5.600	
Toplam uzunluk	Destek kapaklı	590 mm	590 mm
	Destek kapaksız	588 mm	588 mm
Net ağırlık	Destek kapaklı	5,0 kg	5,2 kg
	Destek kapaksız	4,9 kg	5,0 kg
Güvenlik sınıfı		□/II	

- Sürekli yapılan araştırma ve geliştirmelerden dolayı, burada belirtilen özellikler önceden bildirilmeksizin değiştirilebilir.
- Özellikler ülkeden ülkeye farklılıklar gösterebilir.
- EPTA Prosedürü 01/2003 uyarınca ağırlık

Simgeler

END202-8

Makine için kullanılan simgeler aşağıda gösterilmiştir. Makineyi kullanmaya başlamadan önce bu simgelerin ne anlama geldiğini öğrenin.



..... Kullanım kılavuzunu okuyun.



..... ÇİFT YALITIMLI



..... Koruyucu gözlük kullanın.



..... Sadece AB ülkeleri için Elektrikli cihazları evdeki çöp kutusuna atmayın!
Kullanılmış elektrikli cihazları, Elektrikli ve Elektronik Cihaz Atıkları Hakkındaki Avrupa Yönergesine göre ve bu yönergeler ulusal hukuk kurallarına göre uyarlanarak, ayrı olarak toplanmalı ve çevre şartlarına uygun bir şekilde tekrar değerlendirilmeye gönderilmelidir.

Amaçlanan kullanıcı

ENE050-1

Bu makine, metal malzemeleri taşlama ve dökme kalıplardaki çapak alma işlemleri için tasarlanmıştır.

Güç kaynağı

ENF002-2

Makine yalnızca üzerindeki etikette belirtilen voltaj değerlerine sahip, tek fazlı AC güç kaynaklarına bağlanmalıdır. Çift yalıtımlıdır ve bu nedenle topraksız prizlerle de kullanılabilir.

Genel Elektrikli Aletler Güvenlik Uyarıları

GEA010-1

⚠ UYARI Tüm güvenlik uyarılarını ve tüm talimatları okuyun. Verilen uyarılara ve talimatlara uyulmaması elektrik çarpmasına, yangına ve/veya ciddi yaralanmalara yol açabilir.

Tüm uyarıları ve talimatları ileride başvurmak üzere saklayın.

DÜZ TAŞLAMAYLA İLGİLİ GÜVENLİK UYARILARI

GEB108-4

Taşlama İşlemiyle İlgili Genel Güvenlik Uyarıları:

1. **Bu makine, taşlama yapılmak üzere tasarlanmıştır. Bu makineyle birlikte verilen tüm uyarıları, talimatları, çizimleri ve özellikleri dikkatli bir şekilde inceleyin.** Aşağıda verilen talimatların herhangi birine uyulmaması elektrik çarpmasına, yangına ve/veya ciddi yaralanmalara yol açabilir.
2. **Bu makineyle zımparalama, tel fırçalama, cilalama veya kesme gibi işlemlerin gerçekleştirilmesi**

- önerilmez. Bu makine kullanılarak, makine için tasarlanmamış işlemlerin yapılması tehlikeli olabilir ve yaralanmalara yol açabilir.
- Makine üreticisi tarafından özel olarak tasarlanmamış ve önerilmeyen aksesuarları kesinlikle kullanmayın.** Herhangi bir aksesuarın makineye tam olarak takılabilmesi, o aksesuarın kullanımının güvenli olduğu anlamına gelmez.
 - Kullanılacak aksesuarın anma hızı en azından makine üzerinde belirtilen maksimum hıza eşit olmalıdır.** Anma hızından daha hızlı çalışan aksesuarlar kırılabilir veya fırlayabilir.
 - Kullanılacak aksesuarın dış çapı ve kalınlığı mutlaka makine kapasite değeri aralığı içerisinde olmalıdır.** Boyutu doğru seçilmemiş aksesuarlar gerektiği şekilde muhafaza ve kontrol edilemez.
 - Aksesuarların dişli büyüklüğü mutlaka taşlamanın mil dişlisine karşılık gelmelidir.** Flaşlar yardımcıyla monte edilen aksesuarların delik çapı mutlaka flaşın oturma çapına eşit olmalıdır. Makinenin montaj donanımına uygun olmayan aksesuarlar dengesi çalışır, aşırı titre ve kontrol kaybına neden olabilir.
 - Hasarlı aksesuarları kesinlikle kullanmayın. Her kullanım öncesi, üzerinde çapak veya çatlak bulunan zımpara diskleri gibi aksesuarların bulunmadığını kontrol edin.** Makinenin veya herhangi bir aksesuarının yere düşmesi halinde, makinede ve aksesuarlarda hasar olup olmadığını kontrol edin ve gerekli olması halinde hasarlı aksesuarları değiştirin. Aksesuarı kontrol edip makineye taktıktan sonra aksesuarın dönme düzleminden çekilin ve etraftaki kişilerin de bu düzlemde durmadığından emin olun, daha sonra makineyi maksimum yüksüz hızda bir dakika çalıştırın. Hasarlı aksesuarlar normal koşulda bu test süresi içerisinde çıkar.
 - Uygun kişisel koruyucu ekipmanlar kullanın. Uygulamaya bağlı olarak yüz koruyucu maskeler ve geniş veya normal koruyucu gözlükler kullanın. Toz maskesi, kulak koruyucu, eldivenler ve küçük disk ve işparçası parçalarını durdurabilecek nitelikte çalışma önlüğü kullanın.** Koruyucu gözlüğün mutlaka farklı işlemler sırasında fırlatabilecek küçük parçaları durdurabilecek nitelikte olması gerekir. Kullanılacak toz maskesi veya respiratör mutlaka çalışma sırasında ortaya çıkabilecek partikülleri engelleyebilecek nitelikte olmalıdır. Yüksek seviyeli gürültüye uzun süre maruz kalmınca duyma bozukluklarına yol açabilir.
 - Çevredeki kişileri çalışma alanından güvenli bir uzaklıkta tutun. Çalışma alanına giren herkes mutlaka uygun kişisel koruyucu ekipmanlar kullanmalıdır.** İşparçasının veya kırılan bir aksesuarın kopan parçaları sıçrayabilir ve makinenin yakın çevresinde bulunan kişilerin yaralanmasına neden olabilir.
 - Kesme aksesuarının gömülü kabloları veya makinenin kendi kablosuna temas edebileceği işlemleri gerçekleştirenler mutlaka izole edilmiş kavrama yüzeylerinden tutun.** Kesici parçanın elektrik akımı bulunan kablolarla temas etmesi halinde akım, iletken metal parçalar üzerinden operatöre iletilerek, elektrik çarpmasına yol açabilir.

- Kabloyu dönen aksesuarlardan uzak tutun.** Kontrolü kaybetmeniz halinde kablo, kesilerek veya takılarak elinizi veya kolunuzu dönen aksesuara kapırtırmanıza neden olabilir.
- Aksesuar tamamen durmadan makineyi kesinlikle elinizden bırakmayın.** Hareketli aksesuar yüzeye çarparak makinenin kontrolünüzden çıkmasına neden olabilir.
- Taşıma esnasında makineyi kesinlikle çalıştırmayın.** Hareketli aksesuar kazara kıyafetinize temas etmesi halinde yaralanmanıza neden olabilir.
- Makinenin hava kanallarını düzenli olarak temizleyin.** Motor fanı, tozu muhafazanın içine doğru çeker ve metal tozlarının aşırı şekilde birikmesi elektrik tehlikelerinin ortaya çıkmasına yol açabilir.
- Makineyi tutuşabilir malzemelerin yakınında çalıştırmayın.** Kivılcıklar bu malzemelerin tutuşmasına neden olabilir.
- Sıvı soğutucu gerektiren aksesuarlar kullanmayın.** Su veya diğer soğutucu sıvılarının kullanılması, elektrik çarpmasına veya elektrik şokuna neden olabilir.

Ger i Tepme ve İlgili Uyarılar

Ger i tepme dönen disk, disk altlığının, fırçanın veya diğer aksesuarların sıkışması veya takılmasına karşı doğan ani bir tepkidir. Hareketli aksesuarın sıkışması veya takılması, aksesuarın hızını kaybetmesine ve dolayısıyla makinenin kontrolsüz şekilde aksesuarın sıkıştığı veya takıldığı noktadaki yönünün tersine zorlanmasına neden olur.

Örnek olarak, bir zımpara diskinin sıkışması veya takılması halinde diskin sıkışma noktasına giren kenarı, malzeme yüzeyine girerek diskin çıkmasına veya geri tepmesine neden olabilir. Disk, diskin sıkışma noktasındaki hareket yönüne bağlı olarak operatöre doğru geri tepilebileceği gibi, operatörden uzağa doğru da tepelir. Ayrıca, zımpara diskleri bu tür koşulların meydana gelmesi halinde kırılabilir.

Ger i tepme, makinenin yanlış kullanımının ve/veya makinenin yanlış işlemlerle ya da yanlış koşullarda çalıştırılmasının bir sonucudur ve bundan kaçınmak için aşağıda sıralanan önlemlerin alınması gerekir.

- Makineyi sıkıca kavrayın ve vücudunuzu ve kollarınızı geri tepme kuvvetine karşı koyacak biçimde konumlandırın. Başlatma sırasında geri tepmeyi veya tork reaksiyonunu maksimum düzeyde kontrol edebilmek için, ürünle birlikte verilmesi halinde mutlaka yardımcı kolu kullanın.** Uygun önlemlerin alınması halinde operatör, tork reaksiyonlarını ve geri tepme kuvvetlerini kontrol edebilir.
- Elinizi kesinlikle dönen aksesuara yaklaştırmayın.** Aksesuar elinize doğru geri tepelir.
- Herhangi bir geri tepme durumunda makinenin hareket alanında durmayın.** Geri tepme durumunda makine, diskin sıkışma noktasındaki hareket yönüne ters yönde itilebilir.
- Özellikle köşeli, sivri kenarlı vb. işparçalar ile çalışırken dikkatli olun.** Aksesuarın sekmesine veya takılmasına izin vermeyin. Köşeler, sivri kenarlar veya sıçrayan malzemeler dönen aksesuara takılabilir ve makinenin kontrolden çıkmasına veya geri tepmesine neden olabilir.

e) Makineye testere zinciri, ağaç oyma bıçağı veya dişli testere bıçağı takmayın. Bu tür bıçaklar sıkıca geri tepmeye neden olur ve kontrolün kaybedilmesine yol açar.

Taşlamaya Özel Güvenlik Uyarıları:

- a) **Yalnızca makineniz için önerilen disk tiplerini ve seçilen disk tipi için özel olarak tasarlanmış koruyucu kapağı kullanın.** Makineniz için özel olarak tasarlanmamış diskler, yeterli ölçüde muhafazaya alınamazlar ve bu nedenle güvenli değildir.
- b) **Koruyucu kapak mutlaka güvenli şekilde takılmalı ve güvenliği maksimum ölçüde sağlayacak ve diskin kullanıcısına bakan kısmını mümkün olduğunca kapatacak şekilde yerleştirilmelidir.** Muhafaza, operatörü kırılan disk parçalarına, kazara diske temas etmesine ve kıyafetlerinin tutuşmasına neden olabilecek kıvılcımlara karşı korur.
- c) **Mutlaka seçilen disk için hasarsız, doğru büyüklükte ve şekilde disk flanşları kullanın.** Uygun disk flanşları diski destekleyecek ve böylece diskin kırılma olasılığını azaltacaktır. Kesme diskleri için kullanılan flanşlar, taşıma diski flanşlarından farklı olabilir.
- d) **Daha büyük makinelere ait aşınmış diskleri kesinlikle kullanmayın.** Daha büyük makinelerin için tasarlanan diskler, daha küçük ve daha hızlı makineler için uygun değildir ve kırılabilir.

Ek Güvenlik Uyarıları:

17. **Ortası çukur diskleri veya aşındırıcı kesme çarklarını kesinlikle kullanmayın.**
18. **Mile, flanşa (özellikle montaj yüzeyine) ve kilit somununa zarar vermeye dikkat edin. Bu parçalara verilecek zararlar diskin kırılmasına neden olabilir.**
19. **Diskin, makine çalıştırılmadan önce işparçasıyla temas etmemesine dikkat edin.**
20. **Makineyi gerçek bir işparçası üzerinde kullanmadan önce bir süre boş çalıştırın. Diskin yanlış takıldığından veya uygun şekilde dengelenmediğinin göstergesi olan titreşim veya sarsıntı olmadıkça dikkat edin.**
21. **Taşılama yaparken, diskin taşılama için belirtilen yüzeyini kullanın.**
22. **Çalışır durumdayken makinenin başından ayrılmayın. Makineyi yalnızca ellerinizle tutarken çalıştırın.**
23. **Çalışmanızı bittikten hemen sonra işparçasına dokunmayın. İşparçası, aşırı sıcak olabileceğinden yanıklara yol açabilir.**
24. **Disklere takarken ve kullanırken üreticinin talimatlarını dikkate alın. Diskleri dikkatli kullanın ve saklayın.**
25. **Yalnızca bu makine için belirtilen flanşları kullanın.**
26. **İşparçasının sağlam şekilde desteklendiğinden emin olun.**
27. **Makineyi kapatıktan sonra diskin bir süre daha dönmeye devam edeceğine dikkat edin.**
28. **Çalıştığınız ortam aşırı sıcak ve nemli veya yağın biçimde iletken tozla kaplı ise güvenli bir çalışma için bir kısa devre kesicisi (30 mA) kullanın.**

29. **Makineyi asbest içeren malzemelerde kullanmayın.**

30. **Yere sağlam ve dengeli basmaya dikkat edin. Yüksek yerde çalışıyorsanız, altınızda kimsenin bulunmadığına dikkat edin.**

BU TALİMATLARI SAKLAYIN.

⚠ UYARI:

Ürünü kullanırken defalarca kullanmanın getirdiği rahatlık ve tanıdıklık duygusunu, güvenlik kurallarına sıkı sıkıya bağlı kalmanızı önlemesine İZİN VERMEYİN. YANLIŞ KULLANIM veya bu kullanım kılavuzunda belirtilen güvenlik kurallarına uyulmaması ciddi yaralanmalara neden olabilir.

KULLANIMA İLİŞKİN TANIMLAR

⚠ DİKKAT:

- Makine üzerinde herhangi bir ayar veya çalışma kontrolü yapmadan önce mutlaka makinenin kapalı ve fişinin çekili olduğundan emin olun.

Açma/kapatma (Şekil 1)

⚠ DİKKAT:

- Makineyi fişe takmadan önce, açma/kapama düğmesinin kusursuz çalıştığını ve bırakıldığında "KAPALI" konuma döndüğünü kontrol edin.

Kilitlenerek çalıştırılabilen makineler için

⚠ DİKKAT:

- Uzun süreli kullanımlarda operatöre kolaylık sağlanması için açma/kapama düğmesi "AÇIK" konumda kilitlenebilir. Makineyi "AÇIK" konumda kilitlerken dikkatli olun ve makineyi sıkıca kavrayın.

Makineyi çalıştırmak için yalnızca açma/kapama düğmesine (B yönünde) basmanız yeterlidir. Makineyi durdurmak için parmağınızı açma/kapama düğmesinden çekin. Sürekli çalıştırma için açma/kapama düğmesine (B yönünde) basın ve ardından kilitleme mandalına (A yönünde) basın. Makineyi kilitleti konumdayken kapatmak için açma/kapama düğmesine (B yönünde) sonuna kadar basın ve daha sonra serbest bırakın.

Kilitlenerek çalıştırılmayan makineler için

Açma/kapama düğmesine yanlışlıkla basılmasını önlemek için makine üzerinde bir kilitleme mandalı mevcuttur. Makineyi çalıştırmak için kilitleme mandalına (A yönünde) basın ve ardından açma/kapama düğmesine (B yönünde) basın. Makineyi durdurmak için parmağınızı açma/kapama düğmesinden çekin.

Kilitli veya kilitsiz çalıştırılabilen makineler için

Açma/kapama düğmesine yanlışlıkla basılmasını önlemek için makine üzerinde bir kilitleme mandalı mevcuttur.

Makineyi çalıştırmak için kilitleme mandalına (A yönünde) basın ve ardından açma/kapama düğmesine (B yönünde) basın. Makineyi durdurmak için parmağınızı açma/kapama düğmesinden çekin. Sürekli çalıştırma için kilitleme mandalına (A yönünde) basın, açma/kapama düğmesine (B yönünde) basın ve ardından kilitleme mandalını (C yönünde) çekin.

Makineyi kilitli konumdayken kapatmak için açma/kapama düğmesine (B yönünde) sonuna kadar basın ve daha sonra serbest bırakın.

MONTAJ

⚠ DİKKAT:

- Makine üzerinde herhangi bir işlem yapmadan önce mutlaka makinenin kapalı ve fişinin çekili olduğundan emin olun. (Şekil 2)

⚠ DİKKAT:

- Daha üst seviyede bir güvenlik elde etmek üzere disk kapağını sabitlemek için, disk kapağını iki adet civatayı 10 N.m'den daha yüksek bir kuvvet uygulayarak sıkın.

Taşlama diskinin takılması ve çıkarılması

⚠ DİKKAT:

- Taşlama diskini takmadan önce daima talaş veya çatlak vb. gibi herhangi bir anormallik olmadığını kontrol edin.
- Disk çok fazla sıkılırsa kırılabilir. Yeterince sıkılmaması ise yağalanmasına neden olur. Dış flanş doğru şekilde sıkın.
- Daima kilit somunundan ve dış flanş ve iç flanşın daha uzun çaplı kağıda sahip taşlama diskleri kullanın.

Yalnızca destek kapaklı makineler için (ülkeye özel) (Şekil 3)

Taşlama diskini takmadan veya çıkarmadan önce, destek kapağını açın. Destek kapağının her iki tarafındaki kelebek civataları gevşetin ve kapağı açın. Taşlama diskini sabitledikten sonra, destek kapağını kapatın ve ardından kelebek civataları uygun şekilde sıkın.

Tüm makineler için

A Tipi (Şekil 4)

A tipi için sabitleme yöntemi (Şekil 5)

Tornavidayı iç flanştaki deliğe yerleştirin. Kilit somunu gevşetmek için, kilit somununu kilit somunu anahtarıyla kavrayarak, disk dönüş yönünde çevirin. Kilit somununu çıkartın. Ardından, diski takın ve kilit somununu şekilde gösterilen ok yönünde çevirerek sıkın.

B Tipi (Şekil 6)

C Tipi (Şekil 7)

B ve C tipi için sabitleme yöntemi (Şekil 8)

Tornavidayı iç flanştaki deliğe yerleştirin. Altı köşeli somunu gevşetmek için, altı köşeli somunu somun anahtarıyla kavrayarak, disk dönüş yönünde çevirin. Altı köşeli somunu ve dış flanşı çıkartın. Ardından, diski, dış flanş ve altı köşeli somunu takın. Ardından, altı köşeli somunu şekilde gösterilen ok yönünde çevirerek sıkın.

ÇALIŞTIRMA

⚠ DİKKAT:

- Makineye hafif basınç uygulayın. Makineye gereğinden fazla basınç uygulanması sadece kötü bir sonuç elde etmenize ve motorun aşırı zorlanmasına yol açar.

- Makineyi kapattıktan sonra taşlama diskinin bir süre daha dönmeye devam edeceğine dikkat edin.
- Çalıştırırken makineyi bir eliniz çalıştırma kolunda ve diğer eliniz ön sapta olacak şekilde sağlam şekilde kavrayın. (Şekil 9)

Askı (opsiyonel aksesuar) (Şekil 10)

Şekilde gösterildiği gibi, kullanışlı bir askı kullanılarak taşlama kolayca sürekli çalıştırılabilir. Kabloyu başınızın veya omuzunuzun üzerinden geçirin ve ardından makine muhafazasının üst bölümünde bulunan gözlü civatadan geçirin.

BAKIM

⚠ DİKKAT:

- Makine üzerinde kontrol veya bakım işlemlerine başlamadan önce mutlaka makinenin kapalı ve fişinin çekili olduğundan emin olun.
- Kesinlikle gazolin, benzin, tiner, alkol veya benzeri bir madde kullanmayın. Aksi takdirde renk bozulması, deformasyon veya çatlaklar meydana gelebilir. (Şekil 11)

Makine ve havalandırma kanalları mutlaka temiz tutulmalıdır. Makinenin havalandırma kanallarını düzenli olarak ya da kanallar tıkanmaya başlayınca temizleyin.

Toz kapağının (opsiyonel aksesuar) takılması ve çıkarılması

⚠ DİKKAT:

- Toz kapağı aparatlarını takmadan veya sökmeden önce makinenin mutlaka kapalı ve fişinin çekili olduğundan emin olun.
- Aksi takdirde, makine hasar görebilir veya yaralanmalar meydana gelebilir.
- Toz kapağı aparatlarından geçen hava akışı, biriken tozlar veya yabancı maddeler nedeniyle engellenmeye başladığında, toz kapağı aparatlarını temizleyin. Bu şekilde sürekli çalıştırılması, makinenin hasar görmesine neden olabilir.
- Toz kapağı aparatları çıkartılırken, A ve B kancası çıkarılmadan yukarı zorlanması kanca bölümünün kırılmasına neden olabilir. (Şekil 12)

Sağ/sol toz kapağı aparatı, yukarıda gösterilen kenarlar makineye bakacak şekilde sağ/sol kollara sırayla takılır.

(Şekil 13)

Aparatları takmak için, A kancasını ve A çıkıntısını hafifçe A kanalına bastırın.

B kancasını B kanalına takın. (Şekil 14)

Çıkarmak için, B kancasına yakın bir noktadan düz uçlu bir tornavidayla kaldırın.

Ayrıca, A kancasına yakın bir noktadan da kaldırın.

NOT:

GS5000 ve GS6000 üzerinde takılan toz kapağı aparatları, toz gevirmez tasarlanan fırça yuvasının üzerindeki ve aşağısındaki kanalları kapatmaz.

Karbon fırçaların değiştirilmesi (Şekil 15)

Karbon fırçanın içindeki yalıtkan reçine uç, komutator ile temas ettiğinde, motor otomatik olarak kapanır. Bu temas gerçekleştiğinde her iki karbon fırçanın da değiştirilmesi gerekir. Karbon fırçaları yuvanın içinde kayabilecektir.

şekilde temiz tutun. Her iki karbon fırça aynı anda değiştirilmelidir. Aşınan karbon fırçaları mutlaka aynı tipte fırçalar ile değiştirin. (Şekil 16)
Fırça yuvası kapaklarını açmak için bir tornavida kullanın. Aşınmış karbon fırçaları çıkartın ve yenilerini taktıktan sonra fırça yuvası kapaklarını geri vidalayın.
Ürünün EMNİYETLİ ve GÜVENİLİR durumda kalmasını sağlamak için tüm onarımlar, bakım ve ayarlar Makita yetkili servisleri veya fabrika servis merkezleri tarafından Makita yedek parçaları kullanılarak yapılmalıdır.

- Belirtilen titreşim emisyonu değeri, standart test yöntemine göre ölçülmüştür ve makinenin diğer makinelerle karşılaştırılması için kullanılabilir.
- Belirtilen titreşim emisyonu değeri ayrıca maruziyetin ön değerlendirilmesinde de kullanılabilir.
- Belirtilen titreşim emisyonu değeri, bu makinenin temel uygulamaları için kullanılır. Ancak, makinenin başka uygulamalarda kullanılması durumunda titreşim emisyonu değeri değişebilir.

⚠ UYARI:

- Elektrikli aletin gerçek kullanımı sırasında ortaya çıkacak titreşim emisyonu, aletin kullanıma şekline bağlı olarak belirtilen emisyon değerinden farklı olabilir.
- Gerçek kullanım koşullarındaki maruziyeti tahmin ederek (örneğin, aletin açılma süresine ek olarak kapalı konuma getirildiği ve rölantide çalıştığı süreler gibi çalışma döngüsünün tüm bileşenlerini dikkate alın), kullanıcıyı korumak için gerekli güvenlik önlemlerinin alındığından emin olun.

Yalnızca Avrupa ülkeleri için

ENH101-18

AT Uygunluk Beyanı

Makita aşağıdaki Makine(ler) ile ilgili şu hususları beyan eder:

Makinenin Adı:

Düz Taşlama

Model Numarası/Tipi: GS5000, GS6000

Şu Avrupa Yönergelerine uygundur:

2006/42/EC

Şu standartlara veya standartlaştırılmış belgelere uygun olarak üretilmiştir:

EN60745

2006/42/EC'ye uygun teknik dosyaya şu adresten ulaşılabilir:

Makita, Jan-Baptist Vinkstraat 2, 3070, Belçika

1. 2. 2016

Yasushi Fukaya

Yasushi Fukaya

Müdür

Makita, Jan-Baptist Vinkstraat 2, 3070, Belçika

OPSİYONEL AKSESUARLAR

⚠ DİKKAT:

- Bu kullanım kılavuzunda tanıtılan Makita marka makineyle aşağıdaki aksesuarların ve parçaların kullanılması önerilir. Bunların dışında başka aksesuarların veya parçaların kullanılması yaralanmalara yol açabilir. Aksesuarlar ve parçalar doğru şekilde ve öngörüldükleri işlevler için kullanılmalıdır.

Aksesuarlara ilişkin daha ayrıntılı bilgi almak için size en yakın yetkili Makita servisine başvurabilirsiniz.

- Askı
- Toz kapağı
- Alyan anahtarı
- Anahtar yuvası

NOT:

- Listedeki bazı parçalar makineyle birlikte standart aksesuar olarak verilebilir. Ürünle verilen aksesuarlar ülkeden ülkeye farklılıklar gösterebilir.

GS5000 ve GS6000 Modeli

Gürültü

ENG905-1

EN60745 uyarınca belirlenen tipik A ağırlıklı gürültü seviyesi:

Ses basıncı seviyesi (L_{pA}): 83 dB (A)

Ses gücü seviyesi (L_{WA}): 94 dB (A)

Belirsizlik (K): 3 dB (A)

Koruyucu kulaklık takın.

Titreşim

ENG900-1

EN60745'e göre belirlenen toplam titreşim değeri (üç eksenli vektörel toplam):

Çalışma modu: yüzey taşlama

Titreşim emisyonu ($a_{h,SG}$): 2,5 m/s² veya daha düşük

Belirsizlik (K): 1,5 m/s²

Makita Jan-Baptist Vinkstraat 2, 3070, Belgium

Makita Corporation Anjo, Aichi, Japan