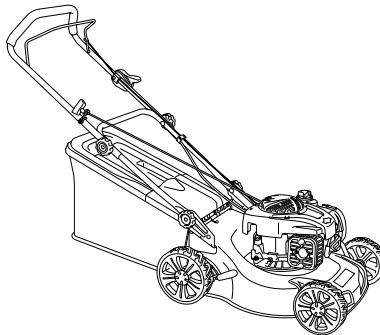
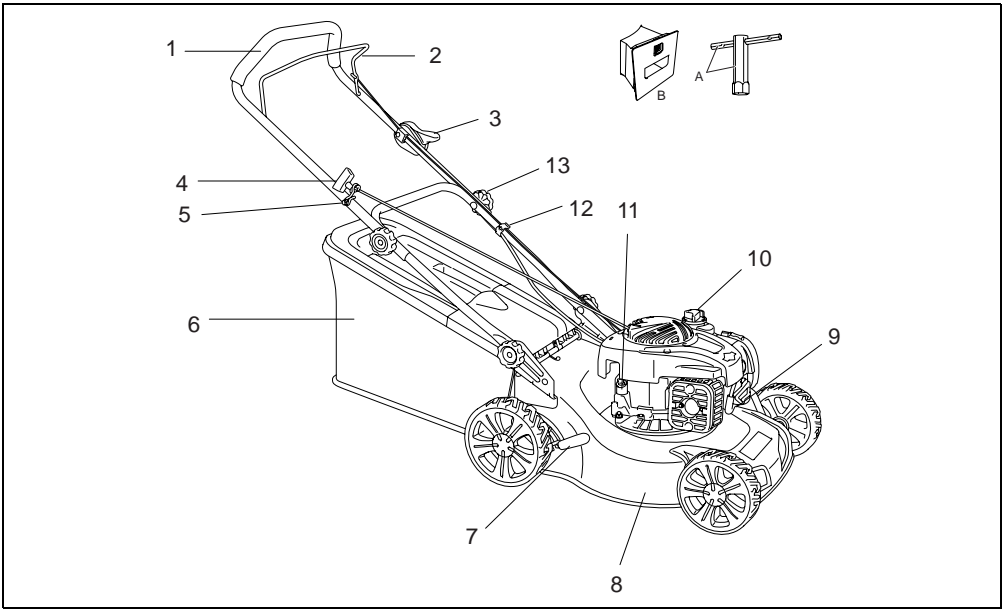




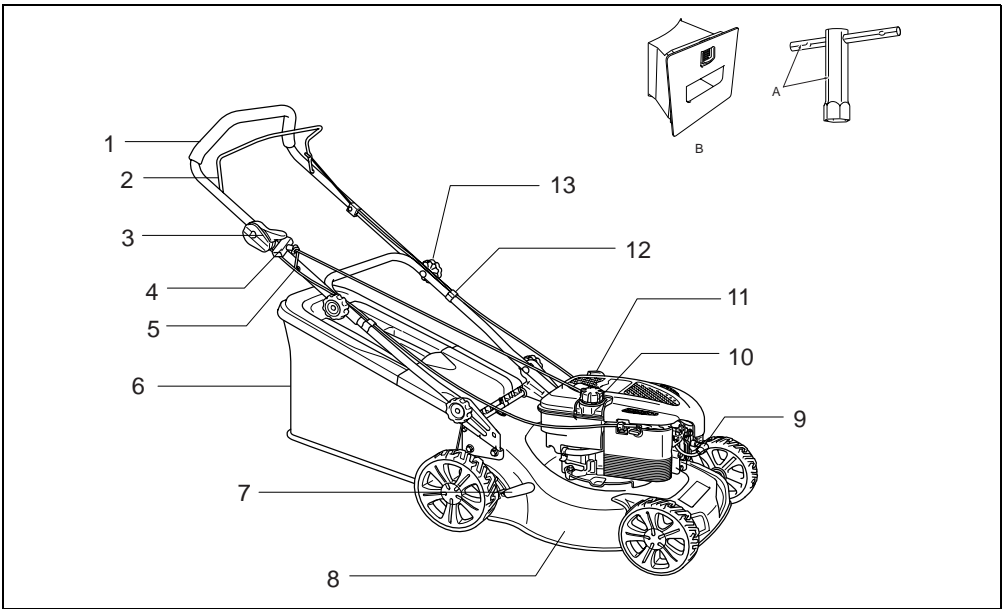
<b>GB</b>	Petrol Lawn Mower	Original Instruction manual
<b>F</b>	Tondeuse Thermique	Manuel d'instructions d'origine
<b>D</b>	Benzin-Rasenmäher	Original-Bedienungsanleitung
<b>I</b>	Rasaerba con motore a benzina	Manuale di istruzioni originale
<b>NL</b>	Grasmaaier met benzinemotor	Oorspronkelijke gebruiksaanwijzing
<b>E</b>	Cortadora de Cesped a Gasolina	Manual de instrucciones original
<b>P</b>	Cortador de Grama a Gasolina	Manual de instruções original
<b>DK</b>	Benzinplæneklipper	Original brugsanvisning
<b>GR</b>	Βενζινοκίνητο χλοοκοπτικό	Πρωτότυπο εγχειρίδιο οδηγιών
<b>TR</b>	Benzinli çim biçme makinesi	Orijinal Kullanım kılavuzu
<b>S</b>	Bensindriven gräsklippare	Bruksanvisning
<b>N</b>	Bensindrevet gressklipper	Original bruksanvisning
<b>FIN</b>	Bensiinikäyttöinen ruohonleikkuri	Alkuperäinen käyttöohje
<b>LV</b>	Benzīna zāles pļaujmašīna	Orīginālā lietošanas rokasgrāmata
<b>LT</b>	Benzininė žoliapjovė	Originali naudojimo instrukcija
<b>EE</b>	Bensiinimootoriga muruniiduk	Originaalne kasutusjuhend
<b>PL</b>	Spalinowa kosiarka do trawy	Oryginalna Instrukcja Obsługi
<b>HU</b>	Benzinmotoros fűnyíró	Eredeti használati útmutató
<b>SK</b>	Benzínová kosačka	Pôvodný návod na obsluhu
<b>CZ</b>	Benzínová sekačka na trávu	Originální návod k obsluze
<b>SI</b>	Kosilnica z bencinskim motorjem	Originalni priročnik navodil
<b>AL</b>	Kositëse bari me naftë	Manuali origjinal i udhëzimeve
<b>BG</b>	Бензинова косачка за трева	Оригинално ръководство за експлоатация
<b>HR</b>	Benzinska kosilica za travu	Originalni priručnik s uputama
<b>MK</b>	Бензинска косилка	Оригинално упатство за употреба
<b>RO</b>	Mașină de tuns iarba pe bază de benzină	Manual de instrucțiuni al producătorului
<b>RS</b>	Бензинска косилица за траву	Оригинални приручник са упутствима
<b>RUS</b>	Бензогазонокосилка	Оригинальное руководство по эксплуатации
<b>UA</b>	Бензинова газонокосарка	Оригінальні інструкції з експлуатації
<b>PR</b>	ماشین چمن زنی بنزینی	دفترچه راهنمای اصلی

**PLM4120N**  
**PLM4620N**

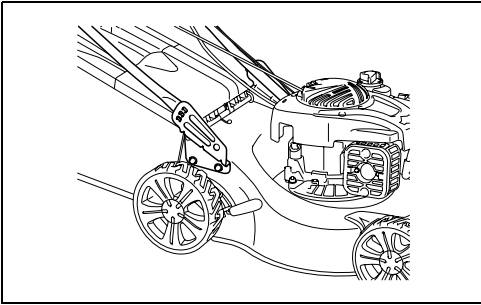




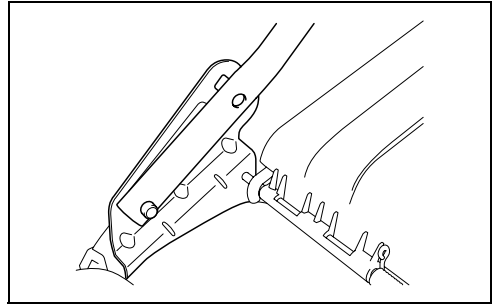
**1 PLM4120N**



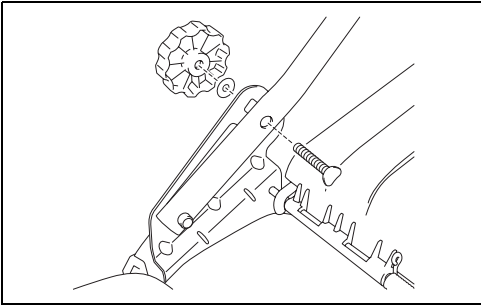
**2 PLM4620N**



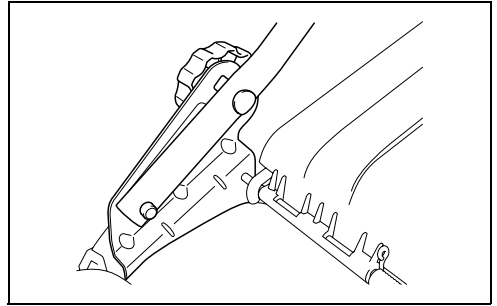
3



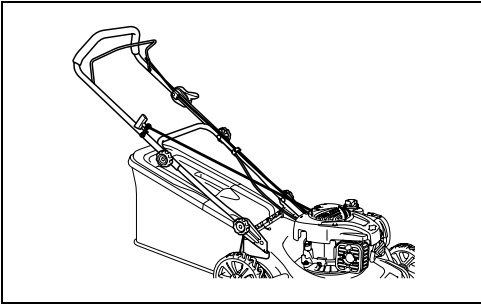
4



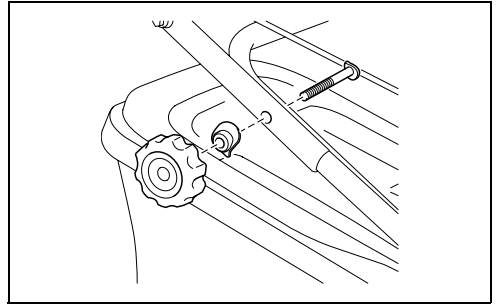
5



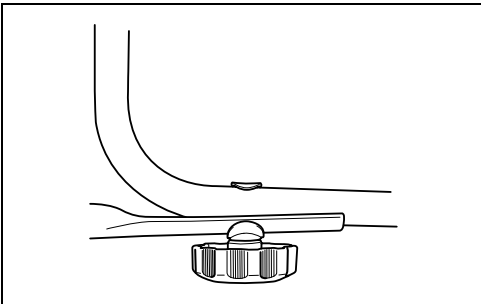
6



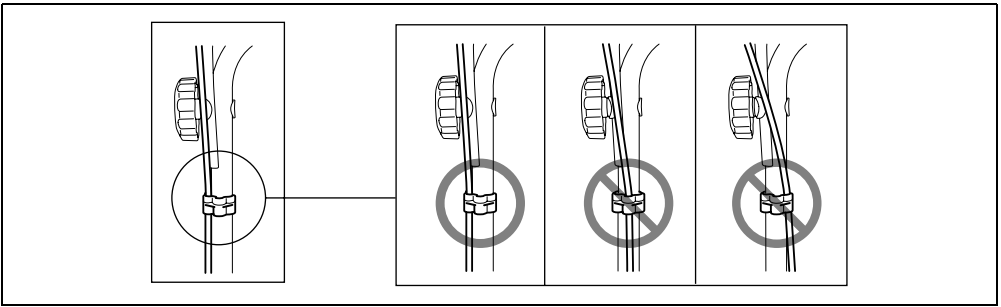
7



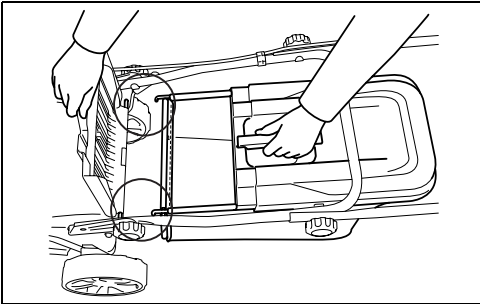
8



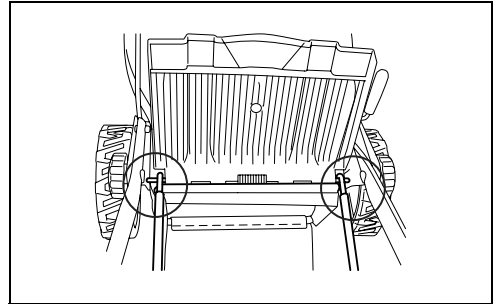
9



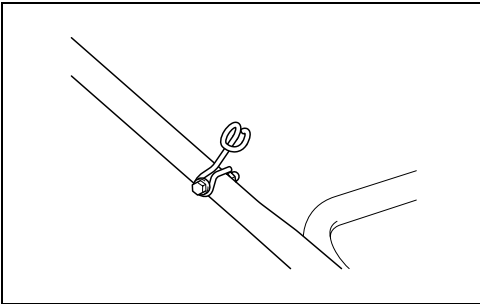
10



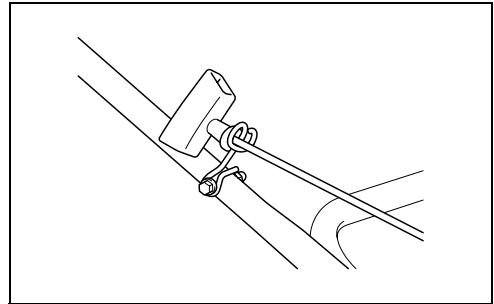
11



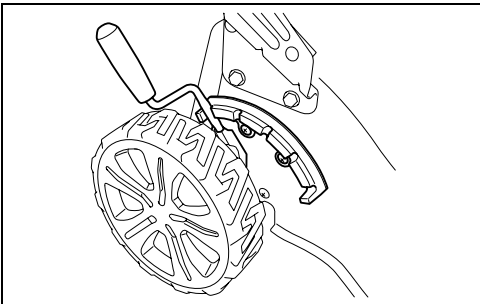
12



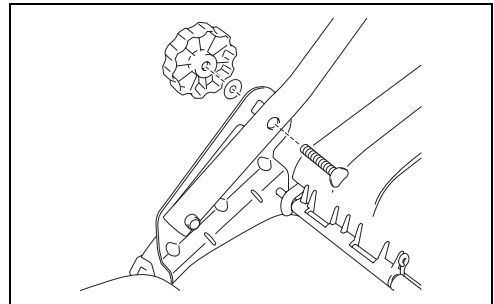
13



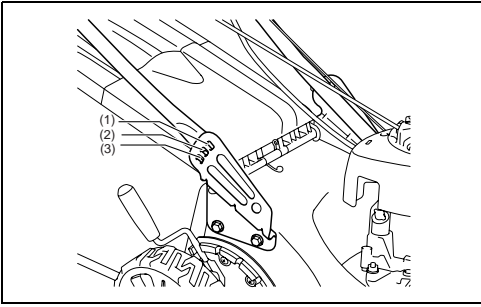
14



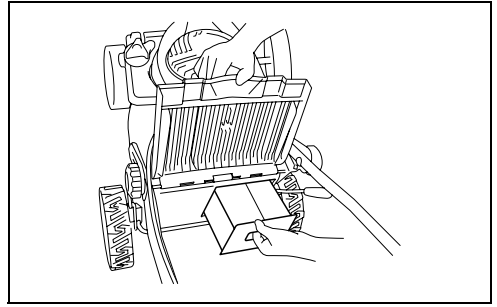
15



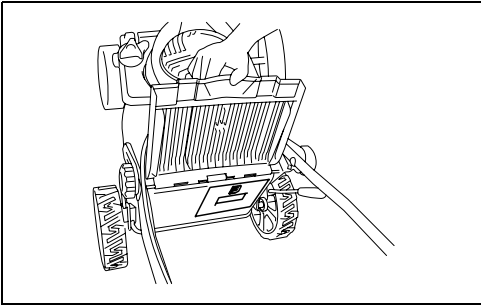
16



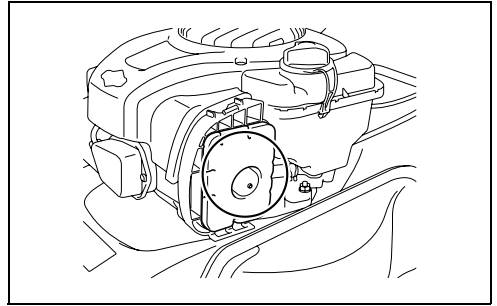
17



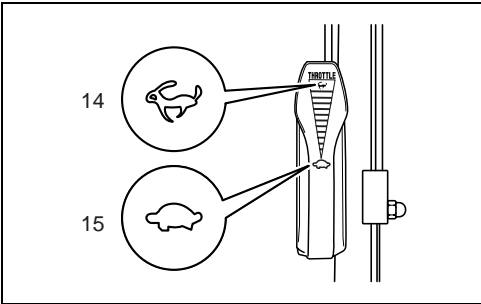
18



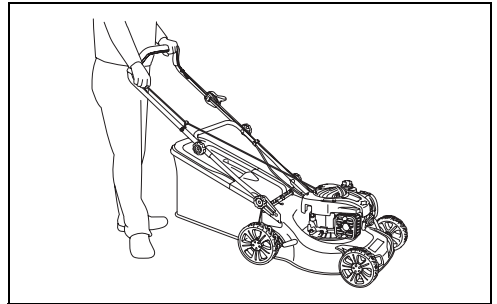
19



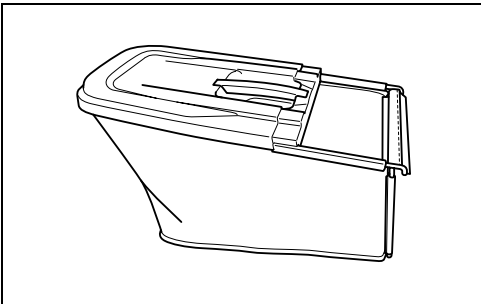
20



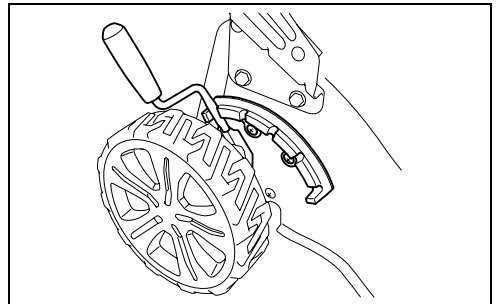
21



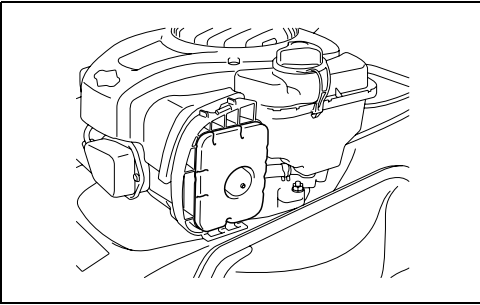
22



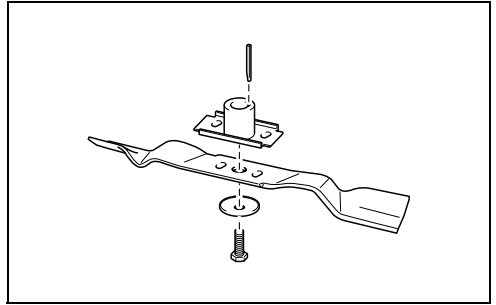
23



24



25



26

## CONTENTS

ENGLISH .....	8
FRANÇAIS .....	17
DEUTSCH .....	27
ITALIANO .....	37
NEDERLANDS .....	47
ESPAÑOL.....	57
PORTUGUÊS.....	67
DANSK .....	77
ΕΛΛΗΝΙΚΑ .....	87
TÜRKÇE .....	98
SVENSKA.....	108
NORSK .....	117
SUOMI.....	126
LATVIEŠU .....	135
LIETUVIŲ KALBA.....	144
EESTI .....	153
POLSKI.....	162
MAGYAR .....	172
SLOVENČINA .....	181
ČESKY .....	191
SLOVENŠČINA .....	200
SHQIP .....	209
БЪЛГАРСКИ .....	218
HRVATSKI.....	228
МАКЕДОНСКИ.....	237
ROMÂNĂ.....	247
СРПСКИ.....	256
РУССКИЙ .....	265
УКРАЇНСЬКА .....	275
فارسی .....	293

**Explanation of general view**

- |                         |                           |                  |
|-------------------------|---------------------------|------------------|
| 1. Upper handle         | 6. Grass catcher          | 11. Oil cap      |
| 2. Stop control handle  | 7. Height adjusting lever | 12. Cable clamp  |
| 3. Throttle choke lever | 8. Deck                   | 13. Locking knob |
| 4. Starter handle       | 9. Spark Plug             | 14. Fast speed   |
| 5. Rope guide           | 10. Fuel cap              | 15. Slow speed   |



**WARNING**

For your own safety please read this manual before attempting to operate your new unit. Failure to follow instructions can result in serious personal injury. Spend a few moments to familiarize yourself with your mower before each use. Keep this manual in a safe place, so that the information is available at all times. If you give the equipment to any other person, hand over these operating instructions and safety regulations as well.

**Intended use**

The equipment may only be used for the tasks it is designed to handle. Any other use is deemed to be a case of misuse. The user/operator and not the manufacturer will be liable for any damage or injuries of any kind caused as a result of this.

The petrol lawn mower is intended for private use i.e. for use in home and gardening environments.

Private use of the lawn mower refers an annual operating time generally not exceeding that of 50 hours, during which time the machine is primarily used to maintain small-scale, residential lawns and home/hobby gardens. Public facilities, sporting halls, and agricultural/forestry applications are excluded.

Please note that our equipment has not been designed for use in commercial, trade or industrial applications. Our warranty will be voided if the machine is used in commercial, trade or industrial businesses or for equivalent purposes.

The operating instructions as supplied by the manufacturer must be kept and referred to in order to ensure that the lawn mower is properly used and maintained. The instructions contain valuable information on operating, maintenance and servicing conditions. Important! Due to the high risk of bodily injury to the user, the lawn mower may not be used to trim bushes, hedges or shrubs, to cut scaling vegetation, planted roofs, or balcony-grown grass, to clean (suck up) dirt and debris off walkways, or to chop up tree or hedge clippings.

Moreover, the lawn mower may not be used as a power cultivator to level out high areas such as molehills. For safety reasons, the lawn mower may not be used as a drive unit for other work tools or tool kits of any kind.

**1. SYMBOLS MARKED ON THE PRODUCT (on the rear cover)**



Read operator's manual.



Keep bystanders away.



Pay more attention to the operator's hands and feet to avoid injured.



Toxic fumes; Don't operate inside house.



Fuel is flammable, keep fire away. Do not add fuel with running machine.



When mowing, please wear the glasses and ear plugs to defend the operator himself.



When repairing, please picks up the spark plug, then repairs it according to the operational manual.



Caution: Engine hot.



Release switch handle to stop the motor.

**2. GENERAL SAFETY RULES**



**WARNING:** When using petrol tools, basic safety precautions, including the following, should always be followed to reduce the risk of serious personal injury and/ or damage to the unit.

Read all these instruction before operating this product and retain these instructions for future reference.





**WARNING:** This machine produces an electromagnetic field during operation. Under some circumstances this field may interfere with active or passive medical implants. To reduce the risk of serious or fatal injury, we recommend persons with medical implants to consult their physician and the medical implant manufacturer before operating this machine.

## Training

- Read the instructions carefully. Be familiar with the controls and the proper use of the equipment. Learn how to stop the engine quickly.
- Only use the lawn mower for the purpose for which it was designed, i.e. for cutting and collecting grass. Any other use can be hazardous, causing damage to the machine. Examples of improper use may include, but are not limited to:
  - transport of people, children or animals on the machine;
  - being transported by the machine;
  - using the machine to tow or push loads;
  - using the machine for leaf or debris collection;
  - using the machine to trim hedges, or for cutting vegetation other than grass;
  - use of the machine by more than one person;
  - using the blade on surfaces other than grass.
- Never allow children or people unfamiliar with these instructions to use the lawn mower. Local regulations can restrict the age of the operator.
- Never use the lawn mower:
  - when people, especially children, or pets are nearby;
  - if the operator has taken medicine or substances that can affect his ability to react and concentrate.
- Keep in mind that the operator or user is responsible for accidents or hazards occurring to other people or their property.
- The operators must receive proper training in the use, adjustment and operation of the machine, including prohibited operations.

## Preparation

- While mowing, always wear substantial footwear and long trousers. Do not operate the equipment when barefoot or wearing open sandals.
- Thoroughly inspect the area where the equipment is to be used and remove all objects, such as stones, toys, sticks and wires, which can be thrown by the machine.
- **WARNING-** Petrol is highly flammable.
  - store fuel in containers specifically designed for this purpose;
  - refuel outdoors only and do not smoke while refueling;
  - add fuel before starting the engine. Never remove the cap of the fuel tank or add petrol while the engine is running or when the engine is hot;
  - if petrol is spilled, do not attempt to start the engine but move the machine away from the area of spillage and avoid creating any source of ignition until petrol vapors have dissipated;
  - replace all fuel tank and container caps securely.

- Replace faulty silencers.
- Before using, always visually inspect to see that the blades, blade bolts and cutter assembly are not worn or damaged. Replace worn or damaged blades and bolts in sets to preserve balance.
- Check regularly to ensure that all starting interlocks and operator presence controls are properly functioning.

## Operation

- Do not operate the engine in a confined space where dangerous carbon monoxide fumes can collect.
- Do not use the machine while being tired, ill or under influence of alcohol or other drugs.
- **Warning!** Do not use the lawn mower when there is a risk for lighting.
- It is recommended to limit the duration of operation, in order to minimize the risks from noise and vibration.
- Be careful when using the lawn mower in slopes and near drop-offs, ditches or embankments.
- Mow only in daylight or in good artificial light.
- Avoid operating the equipment in wet grass, where feasible.
- Always be sure of your footing on slopes.
- Walk, never run.
- For wheeled rotary machines, mow across the face of slopes, never up and down.
- Exercise extreme caution when changing direction on slopes.
- Do not mow excessively steep slopes.
- Use extreme caution when reversing or pulling the lawn mower towards you.
- Stop the blade(s) if the lawn mower has to be tilted for transportation when crossing surfaces other than grass, and when transporting the lawn mower to and from the area to be mowed.
- Never operate the lawn mower with defective guards, or without safety devices, for example deflectors and/or grass catchers, in place.
- **Caution:** The lawn mower shall not be operated without either the entire grass catcher or self-closing discharge opening guard in place.
- Do not change the engine governor settings or overspend the engine.
- Do not alter or tamper with any sealed adjustment for the engine speed control.
- The lawn mower safety systems or features shall not be tampered with or disabled.
- Disengage all blade and drive clutches before starting the engine.
- Start the engine carefully according to instructions and with feet well away from the blade(s).
- Do not tilt the lawn mower when starting the engine.
- Do not start the engine when standing in front of the discharge chute.
- Do not put hands or feet near or under rotating parts. Keep clear of the discharge opening at all times.
- Never pick up or carry a lawn mower while the engine is running.
- Stop the engine and disconnect the spark plug wire, make sure that all moving parts have come to a complete stop and, where a key is fitted remove the key:
  - before clearing blockages or unclogging chute;

- before checking, cleaning or working on the lawn mower;
- after striking a foreign object. Inspect the lawn mower for damage and make repairs before restarting and operating the lawn mower;
- if lawn mower starts to vibrate abnormally (check immediately).
- Stop the engine and disconnect the spark plug wire, make sure that all moving parts have come to a complete stop and, where a key is fitted remove the key:
  - whenever you leave the lawn mower;
  - before refueling.
- Reduce the throttle setting during engine shut down and, if the engine is provided with a shut-off valve, turn the fuel off at the conclusion of mowing.
- Only use the lawn mower for the purpose for which it is designed, for cutting and collecting grass. Any other use can be hazardous, causing damage to the machine.

## Maintenance and storage

- Keep all nuts, bolts and screws tight to be sure the equipment is in safe working condition.
- Never store the equipment with petrol in the tank inside a building where fumes can reach an open flame or spark.
- Allow the engine to cool before storing in any enclosure; Clean and maintain the lawn mower before storage.
- To reduce the fire hazard, keep the engine, silencer, battery compartment and petrol storage area free of grass, leaves, or excessive grease.
- Check the grass catcher frequently for wear or deterioration.
- Replace worn or damaged parts for safety.
- If the fuel tank has to be drained, this should be done outdoors.

## 4. TECHNICAL DATA

Model	PLM4120N	PLM4620N
Engine type	B&S 500E Series	B&S 625E Series
Self Propel	No	No
Engine Displacement	140 cm <sup>3</sup>	190 cm <sup>3</sup>
Nominal Power	1.9 kW	2.4 kW
Blade Width	410 mm	460 mm
Idle Speed	2,800/min	2,800/min
Fuel Tank Capacity	0.8L	1.0L
Oil tank capacity	0.47L	0.6L
Grass catch bag capacity	50L	60L
Net Weight	26.0 kg	31.1 kg
Height adjustment	25 – 70 mm, 5 adjustment	25 – 70 mm, 5 adjustment
Guaranteed sound power level at the operator's position (According to EN ISO 5395-1 Annex F & EN ISO 5395-2, EN ISO 4871)	84.6dB(A) (K=3dB(A))	83.5dB(A) (K = 3dB(A))
Measured sound power level	93.4dB(A) K=1.93dB(A)	93.6dB(A) K=2.47dB(A)
Guaranteed sound power level (According to 2000/14/EC)	96dB(A)	96dB(A)



**WARNING:** Do not touch rotating blade.



**WARNING:** Refuel in a well ventilated area with the engine stopped.

## 3. PARTS DESCRIPTION (Fig. 1 & 2)

### Including

A: Spark plug wrench

B: Mulching wedge

Model	PLM4120N	PLM4620N
Vibration (According to EN ISO 5395-1 Annex G & EN ISO 5395-2)	5.27 m/s <sup>2</sup> K=1.5 m/s <sup>2</sup>	5.738 m/s <sup>2</sup> K=1.5 m/s <sup>2</sup>

## 5. ASSEMBLY

### 5-1 ASSEMBLING THE FOLDING HANDLE

- A) Fix the lower handlebars into the unit body with two sets of bolt, washer and locking knob as shown. (Fig. 3, Fig. 4, Fig. 5, Fig. 6)
- B) Release the upper handlebars for folding. Connect the upper handle and the lower handle with the two sets of bolt, washer and locking knob. (Fig. 7, Fig. 8, Fig. 9)
- C) Position all cables over the handle shafts. Clamp them around the middle of lower handles by the cable clamps so that the cables are fixed on the outside of the machine. Otherwise the cables may be pinched by opening/closing the rear cover or forced by folding the upper handle. (Fig. 10)

### 5-2 ASSEMBLING THE GRASS CATCHER

1. To fit: Lift the rear cover and hang the grass catcher on the shaft of rear of mower. (Fig. 11, Fig. 12)
2. To remove: Grasp and lift the rear cover, remove grass catcher.

### 5-3 STARTER HANDLE


Move the starter handle from the engine to the rope guide. (Fig. 13, Fig. 14)

### 5-4 HEIGHT OF CUT

Apply outward pressure to disengage lever from rack. Move lever forward or back to adjust height. (Fig. 15 and see clause 8-8)

## 6. ADJUSTMENT FOR AN APPROPRIATE HEIGHT

- 1) Back out the locking knob which fixed the lower handle. (Fig. 16)
- 2) Refer to Fig. 17, move the lower handle up and down, adjust it to the proper height.  
There is 3 adjusting height to be chosen on this type lawn mower; at 1 height, lower handle to the ground is highest., 3 height is the lowest.
- 3) Adjusting to the proper height, then fix the lower handle by the locking knobs.

 **WARNING:** The left side and right side of lower handle must adjust to the same height.

## 7. 2 IN 1

These lawn mowers can be retrofitted from its normal function, based on the application purpose:

From lawn mower with rear discharge and mulching mower.

What is mulching?

When mulching, the grass is cut in one working step, then finely chopped and returned to the grass strip as natural fertilizer.

Hints for mulch-mowing:

- Regular cut-back by max. 2 cm from 6 cm to 4 cm grass height.
- Use a sharp cutting knife.
- Do not mow wet grass.
- Set max. Motor speed.
- Only move at working pace.
- Regularly clean mulching wedge, housing inner side and mowing blade.

### ONE: Retrofitting for mulching mower



**WARNING:** Only with a stopped motor and standstill cutter.

1. Raise the rear cover and remove the grass catcher.
2. Push the mulching wedge into the deck. Lock the mulching wedge with the button into the opening on the deck. (Fig. 18, Fig. 19)
3. Lower the rear cover again.

### TWO: Mowing with the grass catcher

1. For mowing with the grass catcher, remove the mulching wedge and mount the grass catcher.
2. Removing the mulching wedge.
  - Lift rear cover and remove the mulching wedge.



**WARNING:** Only with a stopped motor and standstill cutter.

## 8. OPERATING INSTRUCTIONS

### 8-1 BEFORE STARTING

Service the engine with gasoline and oil as instructed in the separate engine manual packed in your mower. Read instructions carefully.



**WARNING:** Petrol is highly flammable.

Store fuel in containers specifically designed for this purpose.

Refuel outdoors only, before starting the engine and do not smoke while refueling or handling fuel.

Never remove the cap of the fuel tank or add petrol while the engine is running or when the engine is hot.

If petrol is spilled, do not attempt to start the engine but move the machine away from the area of spillage and avoid creating any source of ignition until petrol vapors have dissipated.

Replace all fuel tanks and container caps securely.

Before tipping the lawn mower to maintain the blade or drain oil, remove fuel from tank.

## 8-4 TO STOP ENGINE



**CAUTION:** The blade continues to rotate for a few seconds after the engine is shut off.

1. Release the stop control handle to stop the engine and blade.
2. Disconnect and ground the spark plug wire as instructed in the separate engine manual to prevent accidental starting while equipment is unattended.

## 8-5 FOR THE BEST RESULTS WHEN MOWING

Clear lawn of debris. Be sure that the lawn is clear of stones, sticks, wire or other foreign objects which could be accidentally thrown out by the mower in any direction and cause serious personal injury to the operator and others as well as damage to property and surrounding objects. Do not cut wet grass. For effective mowing do not cut wet grass because it tends to stick to the underside of the deck preventing proper mowing of the grass clippings. Cut no more than 1/3 the length of the grass.

The recommended cut for mowing is 1/3 the length of the grass. Ground speed will need to be adjusted so the clippings can be dispersed evenly into the lawn. For especially heavy cutting in thick grass it may be necessary to use one of the slowest speeds in order to get a clean well mowed cut. When mowing long grass you may have to cut the lawn in two passes, lowering the blade another 1/3 of the length for the second cut and perhaps cutting in a different pattern than was used the first time.

Overlapping the cut a little on each pass will also help to clean up any stray clippings left on the lawn. The mower should always be operated at full throttle to get the best cut and allow it to do the most effective job of mowing. Clean underside of deck.

Be certain to clean the underside of the cutting deck after each use to avoid a build-up of grass, which would prevent proper mulching.

Mowing leaves: The mowing of leaves can also be beneficial to your lawn. When mowing leaves make sure they are dry and are not laying too thick on the lawn. Do not wait for all the leaves to be off the trees before you mow.

**WARNING:** If you strike a foreign object, stop the engine. Remove wire from spark plug, thoroughly inspect the mower for any damage and repair the damage before restarting and operating the mower. Extensive vibration of the mower during operation is an indication of damage. The unit should be promptly inspected and repaired.

## 8-6 GRASS CATCHER

Empty and clean the bag, make sure it is clean and ensure its meshwork is ventilated. (Fig. 23)

## 8-7 DECK

The underside of the mower deck should be cleaned after each use to prevent a buildup of grass clippings, leaves, dirt or other matter. If this debris is allowed to accumulate, it will invite rust and corrosion, and may prevent proper



**WARNING:** Never fill fuel tank indoors, with engine running or until the engine has been allowed to cool for at least 15 minutes after running.

## 8-2 TO START ENGINE AND ENGAGE BLADE

1. The unit is equipped with a rubber boot over the end of the spark plug, make certain the metal loop on the end of the spark plug wire (inside the rubber boot) is fastened securely over the metal tip on the spark plug.
2. Press the primer bulb 3-5 times before starting the engine. (Fig. 20)
3. When starting cool engine, turn throttle choke lever to "☁" position. When starting warm engine and Operating, turn throttle choke lever to "☁☁" position. (Fig. 21)
4. Standing behind the unit, grasp the stop control handle and hold it against the upper handle as shown in Fig. 22.
5. Grasp the starter handle as shown Fig. 22 and pull it up rapidly. Return it slowly to the rope guide bolt after engine starts. Release the stop control handle to stop the engine and blade.



Start the engine carefully according to instructions and with feet well away from the blade.



Do not tilt the lawn mower when starting the engine. Start the mower on a level surface, free of high grass or obstacles.



Keep hands and feet away from the rotating parts. Do not start the engine when standing in front of the discharge opening.

## 8-3 OPERATION PROCEDURES

During operation, tightly hold the stop control handle with both hands.



**Note:** During operation, when the stop control handle is released, the engine will stop and thus stopping the lawn mower from operating.



**WARNING!** In order to avoid any unintentional start-ups of the lawn mower, it comes equipped with an engine brake which must be pulled back before the engine can be started. When the engine control lever is released it must return to its initial position, at which point the engine automatically switches off.



**Note:** Engine brake (brake handle): Use the lever to stop the engine. When you release the lever the engine and the blade stop automatically. To mow, hold the lever in the working position. Before you start to mow, check the start/stop lever several times to be sure that it is working properly. Ensure that the tension cable can be smoothly operated (i.e. is not catching or kinking in any way).

mulching. The deck may be cleaned by tilting the mower and scraping clean with a suitable tool (make certain the spark plug wire is disconnected).

## 8-8 HEIGHT ADJUSTMENT INSTRUCTIONS



**CAUTION:** Do not at any time make any adjustment to lawn mower without first stopping the engine and disconnecting the spark plug wire.



**CAUTION:** Before changing mowing height, stop mower and disconnect spark plug cable. Your mower is equipped with a central height adjustment lever offering 5 height positions.

1. Stop mower and disconnect spark plug cable before changing mower cutting height.
2. The central height adjustment lever offers you 5 different height positions.
3. To change the height of cut, squeeze adjuster lever toward the wheel, moving up or down to selected height (**Fig. 24**). All wheels will be in the same height of cut.

## 9. MAINTENANCE INSTRUCTIONS

### SPARK PLUG

Use only original replacement spark plug. For best results, replace the spark plug every 100 hours of use. (refer to ENGINE OWNER'S MANUAL)

### BRAKE PADS

Check and/or replace the engine brake pads in service agent regularly, only original parts can be used as replacement.

## 10. LUBRICATION INSTRUCTIONS



**CAUTION:** DISCONNECT SPARK PLUG BEFORE SERVICING.

1. WHEELS-Lubricate the ball bearings in each wheel at least once a season with a light oil.
2. ENGINE-Follow engine manual for lubrication instructions.
3. STOP CONTROL-Lubricate the pivot points on the stop control handle and its cable at least once a season with light oil. The stop control must operate freely in both directions.

## 11. CLEANING



**CAUTION:** Do not hose engine. Water can damage engine or contaminate the fuel system.

1. Wipe deck with dry cloth.
2. Hose under deck by tilting the mower so that the spark plug is up.

## 11-1 ENGINE AIR CLEANER



**CAUTION:** Do not allow dirt or dust to clog the air filter foam element.

The engine air cleaner element must be serviced (cleaned) after 25 hours normal mowing. The foam element must be serviced regularly if the mower is used in dry dusty conditions. (refer to ENGINE OWNER'S MANUAL)

### To CLEAN AIR FILTER

1. For PLM4120N: Lift the tabs on top of the filter cover. For PLM4620N: Remove screw.
2. Remove cover.
3. Wash filter element in soap water. **DO NOT USE GASOLINE!**
4. Air dry filter element.
5. Place a few drops of SAE30 oil on the foam filter and squeeze tightly to remove any excess oil.
6. Reinstall filter.
7. Close the filter cover.



**NOTE:** Replace filter if frayed, torn, damaged or unable to be cleaned. (**Fig. 25 for PLM4120N**)

## 11-2 CUTTING BLADE



**CAUTION:** Be sure to disconnect and ground the spark plug wire before working on the cutting blade to prevent accidental engine starting. Protect hands by using heavy gloves or a rag to grasp the cutting blades. Tip mower as specified in separate engine manual. Remove the hex bolt and washer which hold the blade and blade adapter to the engine crankshaft. Remove the blade and adapter from the crankshaft.



**WARNING:** Periodically inspect the blade adapter for cracks, especially if you strike a foreign object. Replace when necessary. For best results your blade should be sharp. The blade may be resharpened by removing it and either grinding or filing the cutting edge keeping as close to the original bevel as possible. It is extremely important that each cutting edge receives an equal amount of grinding to prevent an unbalanced blade. Improper blade balance will result in excessive vibration causing eventual damage to the engine and mower. Be sure to carefully balance blade after sharpening. The blade can be tested for balance by balancing it on a round shaft screwdriver. Remove metal from the heavy side until it balances evenly. (**Fig. 26**) Before reassembling the blade and the blade adapter to the unit, lubricate the engine crankshaft and the inner surface of the blade adapter with light oil. Install the blade adapter on the crankshaft. Refer to **Fig. 26**. Place the blade with the part number facing away from the adapter. Align the washer over the blade and insert the hex bolt. Tighten the hex bolt to the torque listed below.

### 11-3 BLADE MOUNTING TORQUE

Center Bolt must be tightened to 35 - 45 Nm torque. To insure safe operation of your unit. ALL nuts and bolts must be checked periodically for correct tightness. After prolonged use, especially in sandy soil conditions, the blade will become worn and lose some of the original shape. Cutting efficiency will be reduced and the blade should be replaced.

Replace with an approved factory replacement blade only. Possible damage resulting from blade unbalance condition is not the responsibility of the manufacturer. When you change the blade, must use the original type marked on the blade (MAKITA 263001433 for PLM4120N; MAKITA 263001451 for PLM4620N) (for order the blade, contact your local dealer or call our company).



**WARNING:** Do not touch rotating blade.

### 11-4 ENGINE

Refer to the separate engine manual for engine maintenance instructions.

Maintain engine oil as instructed in the separate engine manual packed with your unit.

Read and follow instructions carefully.

Service air cleaner as per separate engine manual under normal conditions. Clean every few hours under extremely dusty conditions. Poor engine performance and flooding usually indicates that the air cleaner should be serviced.

To service the air cleaner, refer to the separate engine manual packed with your unit.

The spark plug should be cleaned and the gap reset once a season. Spark plug replacement is recommended at the start of each mowing season; check engine manual for correct plug type and gap specifications.

Clean the engine regularly with a cloth or brush. Keep the cooling system (blower housing area) clean to permit proper air circulation which is essential to engine performance and life. Be certain to remove all grass, dirt and combustible debris from muffler area.

## 12. STORAGE INSTRUCTIONS (OFF SEASON)

The following steps should be taken to prepare lawn mower for storage.

1. Empty the tank after the last mowing of the season.
  - a) Empty the petrol tank with a suction pump.



**CAUTION:** Do not drain the petrol in closed rooms, in close proximity of open fire, etc. Do not smoke! Petrol fumes can cause explosion or fire.

- b) Start the engine and let it run until it has used up all remaining petrol and stalls.
  - c) Remove the spark plug. Use an oilcan to fill approx. 20 ml oil into the combustion chamber. Operate the starter to evenly distribute the oil in the combustion chamber. Replace the spark plug.
2. Clean and grease the lawn mower carefully as described above under "LUBRICATION INSTRUCCIONES".
  3. Slightly grease the cutter to avoid corrosion.

4. Store the lawn mower in a dry, clean and frost-protected place, out of reach of unauthorized persons.



**CAUTION:** The engine must have completely cooled down before storing the lawn mower.



**NOTE:**

When storing any type of power equipment in an unventilated or material storage shed;

- Care should be taken to rust-proof the equipment. Using a light oil or silicone, coat the equipment, especially cables and all moving parts.
- Be careful not to bend or kink cables.
- If the starter rope becomes disconnected from rope guide on handle, disconnect and ground the spark plug wire, depress the blade control handle and pull the starter rope out from engine slowly. Slip the starter rope into the rope guide bolt on handle.

### Transport

Turn the engine off and allow the engine to cool down. Then disconnect the spark plug wire and empty the fuel tank according to the instructions in the engine manual. Ensure not to bend or damage the cutter when pushing the lawn mower over obstacles.

## 13. TROUBLE SHOOTING

PROBLEM	PROBABLE CAUSE	CORRECTIVE ACTION
Engine does not start.	Throttle choke not in the correct position for the prevailing conditions.	Move throttle choke to correct position.
	Fuel tank is empty.	Fill tank with fuel: refer to ENGINE OWNER'S MANUAL.
	Air cleaner element is dirty.	Clean air cleaner element: refer to ENGINE OWNER'S MANUAL.
	Spark plug loose.	Tighten spark plug to 25 - 30 Nm.
	Spark plug wire loose or disconnected from plug.	Install spark plug wire on spark plug.
	Spark plug gap is incorrect.	Set gap between electrodes at 0.7 to 0.8 mm.
	Spark plug is defective.	Install new, correctly gapped plug: refer to ENGINE OWNER'S MANUAL.
	Carburetor is flooded with fuel.	Remove air cleaner element and pull starter rope continuously until carburetor clears itself and install air cleaner element.
Engine difficult to start or loses power.	Faulty ignition module.	Contact Makita authorised service centre.
	Dirt, water, or stale fuel tank.	Drain fuel and clean tank. Fill tank with clean, fresh fuel.
	Vent hole in fuel tank cap is plugged.	Clean or replace fuel tank cap.
Engine operates erratically.	Air cleaner element is dirty.	Clean air cleaner element.
	Spark plug is defective.	Install new, correctly gapped plug: refer to ENGINE OWNER'S MANUAL.
	Spark plug gap is incorrect.	Set gap between electrodes at 0.7 to 0.8 mm.
Engine idles poorly.	Air cleaner element is dirty.	Clean air cleaner element: refer to ENGINE OWNER'S MANUAL.
	Air slots in engine shroud are blocked.	Remove debris from slots.
	Cooling fins and air passages under engine blower housing are blocked.	Remove debris from cooling fins and air passages.
Engine skips at high speed.	Gap between electrodes of spark plug is too close.	Set gap between electrodes at 0.7 to 0.8 mm.
Engine overheats.	Cooling air flow is restricted.	Remove any debris from slots in shroud, blower housing, air passages.
	Incorrect spark plug.	For PLM4120N, install RC12YC or QC12YC spark plug and cooling fins on engine. For PLM4620N, install RJ19LMC spark plug and cooling fins on engine.
Mower vibrates abnormally.	Cutting assembly is loose.	Tighten blade.
	Cutting assembly is unbalanced.	Balance blade.

## 14. ENVIRONMENT

Should your machine need replacement after extended use, do not put it in the domestic waste but dispose of it in an environmentally safe way.

### For European countries only

#### EC Declaration of Conformity

**Makita declares that the following machine(s):**

Designation of Machine:

Petrol Lawn Mower

Model No./ Type: PLM4120N, PLM4620N

Specifications: See "4. TECHNICAL DATA"

**Conforms to the following European Directives:**

2004/108/EC, 2006/42/EC, 2000/14/EC & 2005/88/EC

They are manufactured in accordance with the following standard or standardized documents:

EN ISO 5395-1, EN ISO 5395-2, EN ISO 14982

The technical file in accordance with 2006/42/EC is available from:

Makita, Jan-Baptist Vinkstraat 2, 3070, Belgium

The conformity assessment procedure required by Directive 2000/14/EC was in Accordance with annex VI.

Notified Body:

TÜV SÜD Industrie Service GmbH

Westendstrasse 199, D-80686 München,

Deutschland

Identification Number: 0036

PLM4120N

Measured Sound Power Level: 93.4 dB

Guaranteed Sound Power Level: 96 dB

PLM4620N

Measured Sound Power Level: 93.6 dB

Guaranteed Sound Power Level: 96 dB

22.8.2014



Yasushi Fukaya

Director

Makita, Jan-Baptist Vinkstraat 2, 3070, Belgium



## Descriptif

- |                                   |                                    |                            |
|-----------------------------------|------------------------------------|----------------------------|
| 1. Guidon supérieur               | 6. Sac de ramassage                | 11. Capuchon d'huile       |
| 2. Guidon d'arrêt                 | 7. Levier de réglage de la hauteur | 12. Clip de maintien       |
| 3. Levier de l'étrangleur des gaz | 8. Plateau                         | 13. Bouton de verrouillage |
| 4. Guidon de démarrage            | 9. Bougie d'allumage               | 14. Vitesse élevée         |
| 5. Guide câble                    | 10. Capuchon du carburant          | 15. Vitesse faible         |



### AVERTISSEMENT

Pour votre sécurité, veuillez lire ce manuel avant de faire fonctionner votre nouvelle machine. Le non-respect des instructions peut provoquer de graves blessures corporelles. Prenez le temps de vous familiariser avec la tondeuse avant chaque utilisation. Conservez ce manuel en lieu sûr pour que les informations soient constamment à votre disposition. Si vous donnez l'appareil à quelqu'un, transmettez également ce mode d'emploi ainsi que les consignes de sécurité.

### Utilisation prévue

Cet appareil ne saurait être utilisé que pour les tâches pour lesquelles il a été conçu. Toute autre utilisation sera considérée comme une mauvaise utilisation. L'utilisateur/opérateur (non pas le fabricant) sera tenu responsable de tout dommage matériel ou corporel de toute sorte en résultant.

La tondeuse thermique est conçue pour un usage privé, à savoir dans un environnement domestique et pour le jardinage.

Par usage privé de la tondeuse, on entend une durée de fonctionnement annuelle ne dépassant pas généralement 50 heures pendant lesquelles la machine est principalement utilisée pour entretenir de petits jardins, des pelouses résidentielles et des jardins particuliers ou familiaux. Les installations publiques, les terrains de sport et les applications agricoles ou forestières sont exclus. Veuillez noter que notre appareil n'a pas été conçu pour des applications commerciales, professionnelles ou industrielles. Notre garantie sera nulle et non avenue si la machine est utilisée dans des activités commerciales, professionnelles ou industrielles, ou à des fins équivalentes.

Le mode d'emploi fourni par le fabricant doit être conservé et consulté afin de garantir que la tondeuse sera correctement utilisée et entretenue. Les instructions renferment des informations précieuses sur les conditions de fonctionnement, d'entretien et de dépannage.

Important ! En raison du risque élevé de blessures corporelles pour l'utilisateur, la tondeuse ne saurait être utilisée pour couper des buissons, des haies ou des arbustes, pour couper des plantes grimpantes, des toits végétalisés ou de l'herbe poussant sur balcon, pour nettoyer (aspirer) la poussière et les débris des trottoirs ou pour couper des arbres ou les résidus de haie. En outre, la tondeuse ne saurait être utilisée comme motoculteur pour aplanir des zones élevées comme les taupinières.

Par mesure de sécurité, la tondeuse ne saurait être utilisée comme unité d'entraînement pour d'autres outils de travail ou kits d'outil de toute sorte.

## 1. SYMBOLES MARQUÉS SUR LE PRODUIT (sur le couvercle arrière)



Lisez le manuel d'instructions.



Éloignez les spectateurs.



Soyez attentifs aux mains et aux pieds de l'opérateur pour éviter toute blessure.



Fumées toxiques, n'utilisez pas à l'intérieur.



Le carburant est inflammable, tenir éloigné des flammes. N'ajoutez pas de carburant lors du fonctionnement de la machine.



Lorsque vous tondez, portez des lunettes et des bouchons d'oreilles pour votre sécurité.



Lors de la réparation, relevez la bougie d'allumage, puis réparez-la conformément au manuel d'instructions.



Attention : Le moteur chauffe.



Relâchez le guidon d'interrupteur pour arrêter le moteur.

## 2. CONSIGNES DE SÉCURITÉ GÉNÉRALES



**AVERTISSEMENT** : Lors de l'utilisation d'outils à essence, des précautions de sécurité de base, notamment celles qui suivent, doivent être respectées pour réduire le risque de blessures graves et/ou de dégâts matériels.

Lisez toutes ces instructions avant d'utiliser le produit et conservez-les pour votre information future.



**AVERTISSEMENT** : Cette machine produit un champ électromagnétique pendant son fonctionnement. Dans certains cas, ce champ peut perturber les implants médicaux actifs ou non. Pour réduire les risques de blessures graves ou mortelles, il est recommandé aux personnes porteuses d'implants médicaux de consulter leur médecin ainsi que le fabricant de l'implant médical avant d'utiliser cette machine.

### Formation

- Lisez les instructions attentivement. Familiarisez-vous avec les commandes et l'utilisation correcte de l'équipement.  
Apprenez à arrêter le moteur rapidement.
- N'utilisez la tondeuse que pour son usage prévu, c'est-à-dire pour couper et ramasser l'herbe. Toute autre utilisation peut s'avérer dangereuse et endommager la machine. Parmi les exemples d'utilisation incorrecte, citons notamment :
  - le transport de personnes, d'enfants ou d'animaux sur la machine,
  - votre propre transport par la machine,
  - l'utilisation de la machine pour tirer ou pousser des charges,
  - l'utilisation de la machine pour ramasser des feuilles ou des débris,
  - l'utilisation de la machine pour tailler des haies ou pour couper de la végétation autre que de l'herbe,
  - l'utilisation de la machine par plusieurs personnes,
  - l'utilisation de la lame sur des surfaces autres que l'herbe.
- Ne laissez pas des enfants ou des personnes ne connaissant pas ces instructions utiliser la tondeuse à gazon. Les réglementations locales peuvent limiter l'âge de l'opérateur.
- N'utilisez jamais la tondeuse :
  - lorsque des personnes, en particulier des enfants, ou des animaux se trouvent à proximité,
  - si vous avez absorbé des médicaments ou des substances susceptibles d'affecter vos réactions et votre concentration.
- Gardez à l'esprit que l'opérateur ou l'utilisateur est responsable des accidents ou blessures arrivant à d'autres personnes ou à leurs biens.
- L'opérateur doit recevoir la formation adéquate en matière d'utilisation, de réglage et de fonctionnement de la machine, y compris les actions interdites.

### Préparation

- Pendant la tonte, portez toujours des chaussures résistantes et des pantalons longs. N'utilisez pas le matériel lorsque vous êtes pieds nus ou en sandales.
- Inspectez avec soin la zone où l'appareil sera utilisé et retirez tous les objets, comme des pierres, des jouets, des bâtons ou des câbles, susceptibles d'être projetés par la machine.
- **AVERTISSEMENT** - L'essence est extrêmement inflammable :
  - stockez le carburant dans des conteneurs conçus particulièrement à cet effet ;
  - remettez du carburant à l'extérieur uniquement et ne fumez pas pendant ce temps ;
  - ajoutez le carburant avant de démarrer le moteur. Ne retirez jamais le capuchon du réservoir de carburant et n'ajoutez pas d'essence lorsque le moteur tourne ou qu'il chauffe ;
  - si de l'essence coule, n'essayez pas de démarrer le moteur mais éloignez l'appareil de la zone où l'essence a coulé et évitez de faire des étincelles jusqu'à dissipation des vapeurs d'essence ;
  - revissez fermement tous les capuchons du réservoir et du conteneur.
- Remplacez les pots d'échappement défectueux.
- Avant l'utilisation, procédez toujours à une vérification générale pour vous assurer que les lames, les boulons de lame et l'ensemble de coupe ne sont ni usés ni endommagés. Remplacez les lames et boulons endommagés ou usés par lots complets pour préserver le bon équilibrage.
- Vérifiez régulièrement pour vous assurer que tous les dispositifs de blocage du démarrage et les contrôleurs de présence de l'opérateur fonctionnent correctement.

### Utilisation

- Ne faites pas tourner le moteur dans un lieu confiné, en raison de la possibilité de dangereuses émanations de monoxyde de carbone.
- N'utilisez pas la machine si vous êtes fatigué, malade ou sous l'emprise de l'alcool ou d'autres drogues ou médicaments.
- **Avertissement** ! N'utilisez pas la tondeuse en cas d'orage.
- Il est recommandé de limiter la durée de fonctionnement afin de réduire les risques liés au bruit et aux vibrations.
- Prenez garde lorsque vous utilisez la tondeuse en pente et près d'une rupture de pente, d'un fossé ou d'un talus.
- Tondez uniquement à la lumière du jour ou dans une lumière artificielle de bonne qualité.
- Évitez de tondre de l'herbe mouillée, si possible.
- Assurez vos pas dans les pentes.
- Marchez, ne courez jamais.
- Pour les machines rotatives à roues, tondez les pentes dans le sens transversal, jamais en montant ou en descendant.
- Soyez particulièrement prudent lors des changements de direction sur les terrains en pente.
- Ne coupez pas l'herbe sur des pentes excessivement raides.

- Faites particulièrement attention lorsque la machine doit être tirée vers vous.
- Arrêtez la/les lame(s) si la tondeuse doit être inclinée pour le transport, lorsque vous traversez des zones sans herbe et lors des déplacements entre les surfaces à tondre.
- N'utilisez jamais la tondeuse si ses protecteurs sont endommagés, ou en l'absence de dispositifs de sécurité, comme le déflecteur ou le sac de ramassage.
- Attention : La tondeuse ne doit pas être utilisée si le collecteur d'herbe complet ou le protecteur de l'orifice de décharge à fermeture automatique n'est pas en place.
- Ne changez pas les réglages du gouverneur du moteur et ne forcez pas le moteur.
- Ne modifiez ni n'altérez les réglages scellés de commande de la vitesse du moteur.
- Les systèmes ou dispositifs de sécurité de la tondeuse ne doivent en aucun cas être modifiés ou désactivés.
- Désengagez la lame et les vitesses avant de démarrer le moteur.
- Faites attention lorsque vous démarrez le moteur, conformez-vous aux instructions et assurez-vous que vos pieds sont éloignés de la/des lame(s).
- Lorsque vous démarrez le moteur, n'inclinez pas la tondeuse.
- Ne démarrez pas le moteur lorsque vous êtes devant la goulotte d'éjection.
- Ne placez pas vos mains ou vos pieds à proximité ou sous des pièces qui tournent. Restez en permanence éloigné de l'ouverture d'éjection.
- Ne soulevez ni ne transportez jamais une tondeuse dont le moteur est en fonctionnement.
- Arrêtez le moteur et débranchez le câble de la bougie d'allumage, assurez-vous que les pièces mobiles sont complètement arrêtées et, si une clé est utilisée pour le moteur, retirez-la :
  - avant toute opération de retrait d'obstruction ou de débouchage de la goulotte ;
  - avant toute opération de vérification, de nettoyage ou de réparation de la tondeuse ;
  - après avoir heurté un objet étranger. Inspectez la tondeuse pour vérifier si elle est endommagée. Effectuez les réparations nécessaires avant toute nouvelle utilisation de la machine;
  - si la tondeuse commence à vibrer de manière anormale (vérification immédiate).
- Arrêtez le moteur et débranchez le câble de la bougie d'allumage, assurez-vous que les pièces mobiles sont complètement arrêtées et, si une clé est utilisée pour le moteur, retirez-la :
  - lorsque vous vous éloignez de la tondeuse ;
  - avant toute manutention.
- Réduisez la vitesse lors de l'arrêt du moteur et, si le moteur est équipé d'une soupape d'arrêt, arrêtez l'alimentation en carburant à la fin de la tonte.
- N'utilisez la tondeuse que pour son usage prévu, c'est-à-dire pour couper l'herbe et la ramasser. Toute autre utilisation peut s'avérer dangereuse et endommager la machine.
- Ne rangez jamais un appareil avec de l'essence dans le réservoir dans un bâtiment où des fumées peuvent s'enflammer ou provoquer des étincelles.
- Laissez le moteur refroidir avant de ranger la machine ; nettoyez et procédez à l'entretien de la tondeuse avant de la ranger.
- Pour réduire le danger de combustion, débarrassez le moteur, le pot d'échappement, le compartiment de la batterie et la zone de stockage d'essence de toute impureté telle qu'herbe, feuille ou graisse.
- Vérifiez fréquemment que le sac de ramassage ne présente aucune trace d'usure ou de détérioration.
- Remplacez les pièces usées ou endommagées pour des raisons de sécurité.
- La cas échéant, vidangez le réservoir de carburant en extérieur.
- Un entretien inadéquat, l'utilisation de pièces de rechange non conformes ou le retrait ou la modification des dispositifs de sécurité peut endommager la tondeuse et blesser gravement l'opérateur.
- N'utilisez que les lames et les pièces de rechange recommandées par le fabricant. L'utilisation de pièces qui ne sont pas d'origine peut endommager la machine et blesser l'opérateur. Conservez la tondeuse dans un bon état de fonctionnement.
- Si le dispositif d'arrêt de la lame ne fonctionne pas, demandez de l'aide au SAV.

### Transport et manutention

- Si vous devez bouger, soulever, transporter ou incliner la machine, vous devez :
  - porter des gants de travail épais,
  - saisir la machine aux emplacements qui offrent une prise sûre, en prenant en compte le poids et sa répartition,
  - utiliser un nombre de personnes adapté au poids de la machine et aux caractéristiques du véhicule ou bien au lieu dans lequel la machine doit être placée ou récupérée.
- Pendant le transport, fixez solidement la machine avec des cordes ou des chaînes.



**AVERTISSEMENT** : Ne touchez pas la lame en mouvement.



**AVERTISSEMENT** : Remettez du carburant dans un lieu bien ventilé et assurez-vous que le moteur est arrêté.

## 3. DESCRIPTION DES PIÈCES (Fig. 1 et 2)

### Notamment

A : Clé de bougie d'allumage

B : Embout de hachage

### Maintenance et stockage

- Maintenez tous les écrous, boulons et vis serrés afin d'assurer des conditions d'utilisation sûres.

## 4. CARACTÉRISTIQUES TECHNIQUES

Modèle	PLM4120N	PLM4620N
Type de moteur	Série B&S 500E	Série B&S 625E
Automoteur	N°	N°
Déplacement du moteur	140 cm <sup>3</sup>	190 cm <sup>3</sup>
Puissance nominale	1,9 kW	2,4 kW
Largeur de la lame	410 mm	460 mm
Vitesse au ralenti	2 800/min	2 800/min
Volume du réservoir de carburant	0,8 L	1,0 L
Volume du réservoir d'huile	0,47 L	0,6 L
Volume du sac de ramassage d'herbe	50 L	60 L
Poids net	26,0 kg	31,1 kg
Réglage de la hauteur	25 – 70 mm, 5 réglages	25 – 70 mm, 5 réglages
Niveau de puissance sonore garanti à la position de l'opérateur (D'après EN ISO 5395-1 Annexe F et EN ISO 5395-2, EN ISO 4871)	84,6 dB (A) (K = 3 dB (A))	83,5 dB (A) (K = 3 dB (A))
Niveau de puissance sonore mesurée	93,4 dB (A) K = 1,93 dB (A)	93,6 dB (A) K = 2,47 dB (A)
Niveau de puissance sonore garantie (D'après 2000/14/CE)	96 dB (A)	96 dB (A)
Vibrations (D'après EN ISO 5395-1 Annexe G et EN ISO 5395-2)	5,27 m/s <sup>2</sup> K = 1,5 m/s <sup>2</sup>	5,738 m/s <sup>2</sup> K = 1,5 m/s <sup>2</sup>

## 5. ASSEMBLAGE

### 5-1 ASSEMBLAGE DU GUIDON REPLIABLE

- Attachez les barres inférieures du guidon au châssis à l'aide de deux jeux de boulon, rondelle et bouton de verrouillage, comme illustré. (Fig. 3, Fig. 4, Fig. 5, Fig. 6)
- Relâchez les barres supérieures du guidon pour le repliage. Raccordez le guidon supérieur et le guidon inférieur à l'aide de deux jeux de boulon, rondelle et bouton de verrouillage. (Fig. 7, Fig. 8, Fig. 9)
- Placez tous les câbles sur les manches. Serrez-les autour du centre des guidons inférieurs avec les colliers prévus à cet effet, de sorte que les câbles soient fixés à l'extérieur de la machine. Sinon, les câbles risqueraient de se pincer lors de l'ouverture/la fermeture du capot arrière ou d'être écrasés lors du repliage du guidon supérieur. (Fig. 10)

### 5-2 ASSEMBLAGE DU SAC DE RAMASSAGE

- Pour le placer : Relevez le capot arrière et accrochez le sac de ramassage à l'arrière de la tondeuse. (Fig. 11, Fig. 12)
- Pour le retirer : Soulevez le capot arrière, retirez le sac de ramassage.

### 5-3 GUIDON DE DÉMARRAGE

Déplacez le guidon de démarrage du moteur vers le guide câble. (Fig. 13, Fig. 14)

### 5-4 HAUTEUR DE COUPE

Pour sortir le levier du rail, appliquez une pression vers l'extérieur. Pour régler la hauteur, avancez le levier vers l'avant ou vers l'arrière. (Fig. 15 et voir le point 8-8)

## 6. RÉGLAGE POUR UNE HAUTEUR ADÉQUATE

- Faites ressortir le bouton de verrouillage retenant le guidon inférieur. (Fig. 16)
- Reportez-vous à la Fig. 17, déplacez le guidon inférieur vers le haut et vers le bas, puis réglez-le selon la bonne hauteur.  
Vous pouvez choisir parmi 3 hauteurs de réglage sur ce type de tondeuse, la hauteur 1 correspondant au niveau le plus élevé entre le guidon inférieur et le sol et la hauteur 3 au niveau le plus bas.
- Procédez au réglage selon la bonne hauteur, puis fixez le guidon inférieur à l'aide des boutons de verrouillage.



**AVERTISSEMENT** : Vous devez régler le côté gauche et le côté droit du guidon inférieur selon la même hauteur.

## 7. 2 EN 1

La fonction habituelle de ces tondeuses peut être modifiée selon l'application choisie :  
De la tondeuse avec déchargement arrière et la tondeuse hacheuse.

Qu'est-ce que le hachage ?

Lors du hachage, l'herbe est tout d'abord coupée, puis finement coupée et retournée avant d'être remise par terre pour faire office d'engrais naturel.

Conseils relatifs à ce processus :

- Hauteur de coupe de 2 cm sur une hauteur d'herbe de 6 cm à 4 cm.
- Utilisez une lame aiguisée.
- Ne tondez pas d'herbe mouillée.

- Réglez le moteur sur la vitesse maximale.
- Ne courez pas.
- Nettoyez régulièrement le coin de hachage, l'intérieur du châssis et la lame de tonte.

## UN : Modification pour la tondeuse hacheuse



**AVERTISSEMENT** : Ne faites cela qu'avec un moteur et une lame à l'arrêt.

1. Relevez le capot arrière et retirez le sac de ramassage.
2. Poussez l'embout de hachage dans le plateau. Bloquez-le avec le bouton pendant l'ouverture du plateau. (**Fig. 18, Fig. 19**)
3. Remettez le capot arrière en place.

## DEUX : Tonte avec le sac de ramassage

1. Pour tondre avec le sac de ramassage, retirez la hache et installez le sac de ramassage.
  2. Retrait du coin de hachage
- Relevez le capot arrière et retirez le coin de hachage.



**AVERTISSEMENT** : Ne faites cela qu'avec un moteur et une lame à l'arrêt.

## 8. INSTRUCTIONS D'UTILISATION

### 8-1 AVANT LE DÉMARRAGE

Refaites les niveaux d'huile et d'essence du moteur conformément aux instructions du manuel du moteur fourni avec la tondeuse. Lisez attentivement les instructions.



**AVERTISSEMENT** : L'essence est extrêmement inflammable.

Stockez le carburant dans des conteneurs conçus particulièrement à cet effet.

Ne mettez de l'essence qu'en extérieur, avant de démarrer le moteur et ne fumez pas lorsque vous manipulez de l'essence.

Ne retirez jamais le capuchon du réservoir de carburant et n'ajoutez pas d'essence lorsque le moteur tourne ou qu'il chauffe.

Si de l'essence coule, n'essayez pas de démarrer le moteur mais éloignez l'appareil de la zone où l'essence a coulé et évitez de faire des étincelles jusqu'à dissipation des vapeurs d'essence.

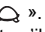
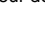
Revissez fermement tous les capuchons du réservoir et du conteneur.

Avant de basculer la tondeuse pour assurer l'entretien de la lame ou effectuer la vidange, siphonnez le carburant.



**AVERTISSEMENT** : Ne remplissez jamais le réservoir en intérieur, lorsque le moteur fonctionne ou avant qu'il n'ait eu le temps de refroidir pendant au moins 15 minutes.

## 8-2 DÉMARRAGE DU MOTEUR ET ENGAGEMENT DE LA LAME

1. L'extrémité de la bougie d'allumage est recouverte d'une protection en caoutchouc, assurez-vous que la boucle métallique située au bout du câble de la bougie (dans la protection) est fermement fixée sur l'embout métallique de la bougie d'allumage.
2. Appuyez 3 à 5 fois sur la poire avant de démarrer le moteur. (**Fig. 20**)
3. Lorsque vous démarrez le moteur à froid, mettez le levier de l'étrangleur des gaz en position «  ». Lorsque vous démarrez le moteur à chaud et qu'il fonctionne déjà, tournez le levier de l'étrangleur des gaz en position «  ». (**Fig. 21**)
4. Debout derrière l'appareil, attrapez le guidon d'arrêt et maintenez-le contre le guidon supérieur, comme illustré à la **Fig. 22**.
5. Attrapez le guidon de démarrage comme illustré à la **Fig. 22** et tirez brièvement dessus. Ramenez-le doucement vers le boulon du guide câble après le démarrage du moteur. Pour arrêter le moteur et la lame, relâchez le guidon d'arrêt.



Démarez le moteur attentivement, conformément aux instructions et en vous assurant que vos pieds sont éloignés de la/des lame(s).



Lorsque vous démarrez le moteur, n'inclinez pas la tondeuse. Démarrez la tondeuse sur une surface plane, sans herbes hautes ni obstacles.



Gardez vos mains et vos pieds éloignés des pièces pivotantes. Ne démarrez pas le moteur lorsque vous êtes devant la goulotte d'éjection.

## 8-3 PROCÉDURES DE FONCTIONNEMENT

Lors du fonctionnement, tenez fermement et à deux mains le guidon d'arrêt.



**Remarque** : Lors du fonctionnement, lorsque vous relâchez le guidon d'arrêt, le moteur s'arrête et par conséquent la tondeuse également.



**AVERTISSEMENT** ! Pour éviter tout démarrage intempestif de la tondeuse, celle-ci est pourvue d'un frein de moteur qui doit être tiré en arrière avant de pouvoir démarrer le moteur. Lorsque le levier de commande du moteur est relâché, il doit revenir à sa position initiale, et à ce moment, le moteur s'éteint automatiquement.



**Remarque** : Frein de moteur (poignée de frein) : utilisez le levier pour arrêter le moteur. Lorsque vous relâchez le levier, le moteur et la lame s'arrêtent automatiquement. Pour tondre, tenez le levier dans la position de travail. Avant de commencer à tondre, vérifiez à plusieurs reprises le levier de démarrage/arrêt pour vous assurer qu'il fonctionne correctement. Assurez-vous que le câble de tension puisse être manœuvré sans problème (c.-à-d. sans se coincer ou s'entortiller).

## 8-4 ARRÊT DU MOTEUR



**ATTENTION** : Après l'arrêt du moteur, la lame continue à tourner pendant quelques secondes.

1. Pour arrêter le moteur et la lame, relâchez le guidon d'arrêt.
2. Débranchez le câble de la bougie d'allumage et tenez-le sur le sol conformément aux instructions du manuel du moteur, pour éviter un démarrage accidentel.

## 8-5 POUR DES RÉSULTATS OPTIMAUX LORS DE LA TONTE

Débarrassez le gazon de tout débris. Vérifiez que le gazon est exempt de cailloux, bâtons, câbles et autres corps étrangers qui risqueraient d'être projetés et de provoquer des blessures graves ou d'endommager les objets avoisinants. Ne tondez pas d'herbe mouillée. Pour une tonte efficace, ne coupez pas d'herbe mouillée car elle a tendance à coller au dessous du plateau, ce qui nuit à l'efficacité de la tonte. Ne coupez pas plus d'1/3 de la hauteur de l'herbe.

La coupe conseillée pour la tonte est d'1/3 de la hauteur de l'herbe. Vous devrez régler la vitesse par rapport au sol pour que les herbes coupées soient dispersées de façon homogène. Pour une coupe intensive, par exemple avec de l'herbe épaisse, il peut être nécessaire d'utiliser l'une des vitesses les plus lentes pour obtenir un résultat propre. Lorsque vous tondez de l'herbe haute, il est possible que vous deviez procéder en deux fois, en abaissant la lame d'1/3 de hauteur supplémentaire pour votre deuxième passage et peut-être en ne suivant pas le même trajet que pour la première coupe.

Si deux coupes successives se chevauchent, les touffes restantes sont éliminées. Vous devez toujours utiliser la tondeuse à pleins gaz pour obtenir un résultat optimal et des plus efficaces. Nettoyez le dessous du plateau.

Assurez-vous de nettoyer le dessous du plateau après chaque utilisation pour éviter que l'herbe ne s'y accumule, se qui nuirait au hachage.

Tonte de feuilles : Pour un beau terrain, vous pouvez tondre les feuilles. Assurez-vous que les feuilles sont sèches et qu'elles ne sont pas en couche trop épaisse. N'attendez pas que toutes les feuilles soient tombées des arbres avant de tondre.



**AVERTISSEMENT** : Si vous heurtez un objet, arrêtez le moteur. Retirez le câble de la bougie d'allumage, inspectez soigneusement la tondeuse et réparez les éventuels dégâts avant de poursuivre l'utilisation. Une vibration excessive de la tondeuse est un signe de dégât. L'appareil doit être rapidement inspecté et réparé.

## 8-6 SAC DE RAMASSAGE

Videz le sac et nettoyez-le, assurez-vous qu'il est propre et que ses mailles sont bien ventilées. (Fig. 23)

## 8-7 PLATEAU

Le dessous du plateau doit être nettoyé après chaque utilisation pour éviter l'accumulation d'herbe, de feuilles,

de saleté ou d'autre matière. Si des débris s'accumulent, l'appareil risque de se corroder et de rouiller, ce qui peut nuire à l'efficacité du hachage. Pour nettoyer le plateau, inclinez la tondeuse et grattez le plateau avec un outil adapté (assurez-vous que le câble de la bougie d'allumage est débranché).

## 8-8 INSTRUCTIONS DE RÉGLAGE DE LA HAUTEUR



**ATTENTION** : En aucun cas, n'effectuez aucun réglage de la tondeuse sans arrêter au préalable le moteur et débrancher le câble de la bougie d'allumage.



**ATTENTION** : Avant de modifier la hauteur de coupe, arrêtez la tondeuse et débranchez le câble de la bougie d'allumage. La tondeuse est équipée d'un levier central de réglage de la hauteur, qui permet cinq réglages.

1. Arrêtez la tondeuse et débranchez le câble de la bougie d'allumage avant de modifier la hauteur de coupe de la tondeuse.
2. Le levier central de réglage de la hauteur vous permet de choisir entre 5 positions.
3. Pour modifier la hauteur de coupe, ramenez le levier de réglage vers la roue, puis montez-le ou descendez-le vers la hauteur de votre choix (Fig. 24). Toutes les roues seront à la même hauteur de coupe.

## 9. INSTRUCTIONS DE MAINTENANCE

### BOUGIE D'ALLUMAGE

N'utilisez que des bougies de remplacement d'origine. Pour des résultats optimaux, remplacez la bougie d'allumage toutes les 100 heures. (consultez le MANUEL DE L'UTILISATEUR DU MOTEUR)

### PLAQUETTES DE FREIN

Faites régulièrement vérifier et/ou remplacer les plaquettes de frein de moteur par un agent de service. Seules des pièces d'origine peuvent être utilisées pour le remplacement.

## 10. INSTRUCTIONS DE LUBRIFICATION



**ATTENTION** : DÉBRANCHEZ LA BOUGIE D'ALLUMAGE AVANT TOUTE OPÉRATION DE MAINTENANCE.

1. ROUES-Lubrifiez les roulements à billes de chaque roue au moins une fois par an avec une huile à faible viscosité.
2. MOTEUR-Pour des instructions de lubrification, conformez-vous au manuel du moteur.
3. GUIDON D'ARRÊT - Lubrifiez les pivots du guidon d'arrêt et de son câble au moins une fois par an avec une huile à faible viscosité. Le guidon d'arrêt doit pouvoir se déplacer dans tous les sens.

# 11. NETTOYAGE



**ATTENTION** : N'arrosez pas le moteur. L'eau risque d'endommager le moteur ou de contaminer le système de carburant.

1. Nettoyez le plateau avec un chiffon sec.
2. Aspergez le dessous du plateau en basculant la tondeuse de sorte que la bougie d'allumage soit orientée vers le haut.

## 11-1 FILTRE À AIR



**ATTENTION** : Ne laissez pas de la saleté ou des poussières obstruer la mousse du filtre à air.

La maintenance (le nettoyage) du filtre à air doit être effectué(e) après 25 heures de tonte normale. L'élément en mousse doit être entretenu régulièrement si la tondeuse est utilisée dans des conditions de poussière extrême (consultez le MANUEL DE L'UTILISATEUR DU MOTEUR).

### NETTOYAGE DU FILTRE À AIR

1. Pour le modèle PLM4120N : Soulevez les languettes en haut du capot du filtre.  
Pour le modèle PLM4620N : Retirez la vis.
2. Retirez le capot.
3. Nettoyez le filtre à l'eau savonneuse. **N'UTILISEZ PAS D'ESSENCE !**
4. Séchez le filtre à l'air.
5. Placez quelques gouttes d'huile SAE30 dans le filtre à mousse et secouez-le légèrement pour retirer l'excès d'huile.
6. Remontez le filtre.
7. Fermez le couvercle du filtre.



**REMARQUE** : Remplacez le filtre s'il est ébréché, endommagé ou si vous ne pouvez pas le nettoyer. (Fig. 25 pour PLM4120N)

## 11-2 LAME



**ATTENTION** : Assurez-vous de débrancher le câble de la bougie d'allumage et de le poser sur le sol avant d'effectuer des opérations de maintenance sur la lame et éviter tout démarrage accidentel du moteur. Protégez vos mains avec des gants épais ou attrapez les lames avec un chiffon.

Inclinez la tondeuse comme spécifié dans le manuel du moteur. Retirez le boulon hexagonal et la rondelle qui fixent la lame et l'adaptateur de lame au vilebrequin. Retirez la lame et l'adaptateur du vilebrequin.



**AVERTISSEMENT** : Inspectez régulièrement l'adaptateur de lame pour vérifier l'absence de fissures, particulièrement si vous heurtez un objet étranger. Le cas échéant, remplacez-le.

Pour des résultats optimaux, assurez-vous que la lame est aiguisée. La lame peut être affûtée ; il suffit de la retirer et de l'aiguiser en essayant de conserver le biseau d'origine. Pour éviter un déséquilibre, il est primordial que toutes les extrémités de coupe soient limitées de façon équivalente. Un mauvais équilibre des lames peut provoquer des vibrations excessives, ce qui risque d'endommager le moteur et la tondeuse. Assurez-vous de bien équilibrer les lames après l'affûtage. Pour tester l'équilibre de la lame, placez-la sur un tournevis courbe. Retirez l'excédent du métal du côté lourd jusqu'à obtention de l'équilibrage. (Fig. 26)

Avant de remonter la lame et l'adaptateur de lame sur l'appareil, lubrifiez le vilebrequin du moteur et la surface intérieure de l'adaptateur de lame avec une huile à faible viscosité. Installez l'adaptateur de lame sur le vilebrequin. Consultez la Fig. 26. Placez la lame avec son numéro de pièce orientée à l'opposé de l'adaptateur. Alignez la rondelle sur la lame et insérez le boulon hexagonal. Serrez le boulon hexagonal selon le couple indiqué ci-dessous.

## 11-3 COUPLE DE MONTAGE DE LA LAME

Le boulon central doit être serré selon un couple compris entre 35 et 45 Nm. Cela sert à garantir le fonctionnement sûr de votre appareil. TOUTS les écrous et boulons doivent être inspectés régulièrement pour vérifier qu'ils sont bien serrés. Après une utilisation prolongée, particulièrement sur des sols sableux, la lame peut s'user et perdre sa forme d'origine. L'efficacité de coupe diminue et la lame doit être remplacée.

Ne remplacez la lame qu'avec une lame approuvée. Le fabricant décline toute responsabilité relative aux dégâts résultant d'un mauvais équilibrage de la lame. Lorsque vous changez la lame, vous devez utiliser une lame du même type que celui d'origine (MAKITA 263001433 pour la PLM4120N ; MAKITA 263001451 pour la PLM4620N) (pour commander cette lame, contactez votre fournisseur local ou appelez-nous).



**AVERTISSEMENT** : Ne touchez pas la lame en mouvement.

## 11-4 MOTEUR

Consultez le manuel du moteur pour connaître les instructions de maintenance du moteur. Conformez-vous au manuel du moteur fourni avec l'appareil pour connaître les opérations de maintenance de l'huile du moteur. Lisez soigneusement les instructions et suivez-les. Réparez le filtre à air conformément aux préconisations du manuel du moteur. Nettoyez-le régulièrement si vous utilisez l'appareil dans des conditions particulièrement poussiéreuses. De mauvaises performances et un noyage du moteur indiquent en général que le filtre à air doit être réparé.

Pour ce faire, consultez le manuel du moteur fourni avec l'appareil.

La bougie d'allumage doit être nettoyée et l'espace doit être vérifié une fois par an. Le remplacement de la bougie d'allumage est conseillé au début de chaque saison de



tonte ; consultez le manuel du moteur pour connaître les bonnes spécifications d'espace et de type de bougie. Nettoyez régulièrement le moteur avec un chiffon ou une brosse. Gardez le système de refroidissement (ventilateur) propre pour permettre une bonne circulation de l'air, ce qui est essentiel aux performances et à la durée de vie du moteur. Assurez-vous de retirer toutes les herbes, la saleté et les débris de combustible du pot d'échappement.

## 12. INSTRUCTIONS DE STOCKAGE (HORS SAISON)

Les étapes suivantes doivent être respectées pour préparer la tondeuse au stockage.

1. Videz le réservoir après la dernière tonte de la saison.
  - a) Videz le réservoir d'essence à l'aide d'une pompe aspirante.



**ATTENTION** : Ne purgez pas l'essence dans une pièce fermée, à proximité immédiate d'une flamme nue, etc. Ne fumez pas ! Les vapeurs d'essence peuvent provoquer une explosion ou un incendie.

- b) Démarrez le moteur et laissez-le tourner jusqu'à ce qu'il ait brûlé toute l'essence et qu'il cale.
  - c) Retirez la bougie. À l'aide d'une burette d'huile, versez environ 20 ml d'huile dans la chambre de combustion. Actionnez le démarreur pour répartir uniformément l'huile dans la chambre de combustion. Remplacez la bougie.
2. Nettoyez et graissez soigneusement la tondeuse, comme décrit ci-dessus dans la section « INSTRUCTIONS DE LUBRIFICATION ».
3. Pour éviter la corrosion, graissez légèrement la lame.
4. Entreposez la tondeuse dans un lieu sec, propre, à l'abri du gel et hors de portée des personnes non autorisées.



**ATTENTION** : Avant de ranger la tondeuse, veillez à ce que le moteur ait complètement refroidi.



### REMARQUE :

Lorsque vous rangez un appareil dans un lieu mal ventilé ou dans une remise ;

- Vous devez enduire l'appareil d'anti-rouille. Recouvrez l'équipement, et particulièrement ses câbles et pièces mobiles, d'une couche d'huile à faible viscosité ou de silicone.
- Faites attention à ne pas plier ou pincer les câbles.
- Si le câble du démarreur se débranche du guide câble du guidon, débranchez le câble de la bougie d'allumage et posez-le sur le sol, appuyez sur le guidon d'arrêt et sortez doucement le câble du démarreur du moteur. Faites glisser le câble du démarreur dans le boulon du guide câble du guidon.

## Transport

Éteignez le moteur et laissez-le refroidir. Puis débranchez le câble d'allumage et videz le réservoir d'essence selon les instructions du manuel du moteur. Veillez à ne pas plier ou endommager la lame lorsque vous poussez la tondeuse contre un obstacle.



## 13. DÉPANNAGE

PROBLÈME	CAUSE POSSIBLE	ACTION CORRECTRICE
Le moteur ne démarre pas.	L'étrangleur des gaz n'est pas dans la position adaptée aux conditions.	Mettez-le dans la bonne position.
	Le réservoir de carburant est vide.	Remplissez-le : consultez le MANUEL DE L'UTILISATEUR DU MOTEUR.
	L'élément du filtre à air est encrassé.	Nettoyez-le : consultez le MANUEL DE L'UTILISATEUR DU MOTEUR.
	La bougie d'allumage est desserrée.	Resserrez-la à 25 - 30 Nm.
	Le câble de la bougie d'allumage est desserré ou débranché.	Remontez-le sur la bougie d'allumage.
	L'espace de la bougie d'allumage est incorrect.	Réglez l'espace entre les électrodes afin qu'il soit compris entre 0,7 et 0,8 mm.
	La bougie d'allumage est défectueuse.	Installez une nouvelle bougie, en respectant l'espace préconisé : consultez le MANUEL DE L'UTILISATEUR DU MOTEUR.
	Le carburateur est noyé.	Retirez l'élément du filtre à air et tirez plusieurs fois sur le câble du démarreur jusqu'à ce que le carburateur se vide, puis remontez l'élément du filtre à air.
	Le module d'allumage est défectueux.	Contactez le centre de service autorisé Makita.
Le moteur a du mal à démarrer ou perd de la puissance.	Le réservoir de carburant est encrassé, éventé ou de l'eau s'y trouve.	Purge le carburant et nettoyez le réservoir. Refaites le niveau avec du carburant propre.
	L'échappement du capuchon du réservoir de carburant est branché.	Nettoyez le capuchon du réservoir de carburant ou remplacez-le.
	L'élément du filtre à air est encrassé.	Nettoyez-le.
Le moteur fonctionne mal.	La bougie d'allumage est défectueuse.	Installez une nouvelle bougie, en respectant l'espace préconisé : consultez le MANUEL DE L'UTILISATEUR DU MOTEUR.
	L'espace de la bougie d'allumage est incorrect.	Réglez l'espace entre les électrodes afin qu'il soit compris entre 0,7 et 0,8 mm.
	L'élément du filtre à air est encrassé.	Nettoyez-le : consultez le MANUEL DE L'UTILISATEUR DU MOTEUR.
Mauvais ralenti du moteur.	L'élément du filtre à air est encrassé.	Nettoyez-le : consultez le MANUEL DE L'UTILISATEUR DU MOTEUR.
	Les prises d'air du flasque du moteur sont obstruées.	Retirez les débris des fentes.
	Les ailettes de refroidissement et passages d'air situés sous le ventilateur du moteur sont bloqués.	Débarrassez-les des éléments qui les bloquent.
À grande vitesse, le moteur tressaute.	L'espace entre les électrodes des bougies est trop étroit.	Réglez l'espace entre les électrodes afin qu'il soit compris entre 0,7 et 0,8 mm.
Le moteur surchauffe.	Le flux d'air de refroidissement est restreint.	Retirez les éventuels débris se trouvant dans les fentes du flasque, du boîtier du ventilateur et des passages d'air.
	Mauvaise bougie d'allumage.	Pour le PLM4120N, installez la bougie d'allumage RC12YC ou QC12YC et les ailettes de refroidissement sur le moteur. Pour la PLM4620N, montez une bougie d'allumage et des ailettes de refroidissement RJ19LMC sur le moteur.
La tondeuse tremble anormalement.	L'ensemble de coupe est lâche.	Resserrez la lame.
	L'ensemble de coupe est déséquilibré.	Équilibrez la lame.

## 14. ENVIRONNEMENT

Si votre machine doit être remplacée après une utilisation prolongée, ne la jetez pas avec les ordures ménagères mais mettez-la au rebut dans le respect de l'environnement.

**Pour les pays européens uniquement**

**Déclaration de conformité CE**

**Makita déclare que la (les) machine(s) Makita**

**suivante(s) :**

Nom de la machine :

Tondeuse Thermique

N° de modèle/Type : PLM4120N, PLM4620N

Spécifications : Voir la section « 4. CARACTÉRISTIQUES TECHNIQUES »

**sont conformes aux directives européennes**

**suivantes :**

2004/108/CE, 2006/42/CE, 2000/14/CE et 2005/88/CE

et est (sont) fabriquée(s) conformément aux normes ou aux documents normalisés suivants :

EN ISO 5395-1, EN ISO 5395-2, EN ISO14982

La documentation technique conforme à la norme 2006/42/CE est disponible auprès de :

Makita, Jan-Baptist Vinkstraat 2, 3070, Belgique

La procédure d'évaluation de la conformité requise par la directive 2000/14/CE est conforme à l'annexe VI.

Organisme notifié:

TÜV SÜD Industrie Service GmbH

Westendstrasse 199, D-80686 München, Allemagne

Numéro d'identification : 0036

PLM4120N

Niveau de puissance sonore mesurée : 93,4 dB

Niveau de puissance sonore garantie : 96 dB

PLM4620N

Niveau de puissance sonore mesurée : 93,6 dB

Niveau de puissance sonore garantie : 96 dB

22.8.2014



Yasushi Fukaya

Directeur

Makita, Jan-Baptist Vinkstraat 2, 3070, Belgique

**Erklärung der Gesamtdarstellung**

- |                    |                               |                       |
|--------------------|-------------------------------|-----------------------|
| 1. Oberer Griff    | 6. Grasfänger                 | 11. Öldeckel          |
| 2. Stoppregelgriff | 7. Hebel für Höheneinstellung | 12. Kabelklemme       |
| 3. Gashebel        | 8. Deck                       | 13. Feststellknauf    |
| 4. Startergriff    | 9. Zündkerzenstecker          | 14. Hohe Drehzahl     |
| 5. Seilführung     | 10. Tankdeckel                | 15. Niedrige Drehzahl |



**WARNUNG**

Lesen Sie zu Ihrer eigenen Sicherheit dieses Handbuch vor der Aufnahme des Betriebs Ihres neuen Geräts durch. Werden die folgenden Anweisungen nicht befolgt, besteht die Gefahr schwerer Verletzungen. Nehmen Sie sich vor jeder Benutzung ein wenig Zeit, sich mit Ihrem Mäher vertraut zu machen. Bewahren Sie dieses Handbuch an einem sicheren Ort auf, so dass die Informationen jederzeit verfügbar sind. Wenn Sie das Gerät einer anderen Person ausleihen, händigen Sie diese Bedienungsanleitung sowie die Sicherheitsbestimmungen aus.

**Verwendungszweck**

Das Gerät darf nur für die Aufgaben verwendet werden, für deren Ausführung es vorgesehen ist. Jeder andere Gebrauch ist als Missbrauch anzusehen. Der Benutzer/ Betreiber, aber nicht der Hersteller, ist für Schäden oder Verletzungen jeglicher Art, die sich daraus ergeben, haftbar.

Der Benzin-Rasenmäher ist für privaten Gebrauch, d. h. für den Einsatz in Heim- und Gartenumgebungen, vorgesehen.

Privater Gebrauch des Rasenmähers bezieht sich auf eine jährliche Betriebszeit, die im Allgemeinen 50 Betriebsstunden nicht überschreitet, während denen die Maschine hauptsächlich zur Instandhaltung kleiner Rasenflächen in Wohngebieten und Heim-/Hobbygärten verwendet wird. Öffentliche Einrichtungen, Sporthallen sowie Anwendungen in Land- und Forstwirtschaft sind ausgeschlossen.

Bitte beachten Sie, dass unser Gerät nicht für den Einsatz in kommerziellen, gewerblichen oder industriellen Anwendungen ausgelegt ist. Unsere Garantie wird ungültig, wenn die Maschine in kommerziellen, gewerblichen oder industriellen Unternehmen oder für entsprechende Zwecke eingesetzt wird.

Die vom Hersteller gelieferte Bedienungsanleitung muss aufbewahrt und gelesen werden, um sicherzustellen, dass der Rasenmäher ordnungsgemäß benutzt und gewartet wird. Die Anleitung enthält wichtige Informationen zu Bedienungs-, Instandhaltungs- und Wartungsbedingungen.

Wichtig! Aufgrund der hohen Verletzungsgefahr für den Benutzer darf der Rasenmäher nicht zum Schneiden von Buschwerk, Hecken oder Gestrüpp, zum Mähen von Pflanzenbewuchs, bepflanzten Dächern oder Balkonrasen, zum Reinigen (Aufsaugen) von Schmutz und Unrat auf Gehwegen, oder zum Zerkleinern von Baum- oder Heckenverschnitt verwendet werden. Darüber hinaus darf der Rasenmäher nicht als Bodenfräse zum Einebnen von Erhebungen, wie z. B. Maulwurfshaufen, verwendet werden.

Aus Sicherheitsgründen darf der Rasenmäher nicht als Antriebseinheit für andere Arbeitswerkzeuge oder Werkzeugsätze jeglicher Art verwendet werden.

**1. AM PRODUKT ANBRACHTE SYMBOLE (auf der Rückabdeckung)**



Lesen Sie die Bedienungsanleitung.



Halten Sie Umstehende fern.



Achten Sie beim Bedienen vor allem auf Ihre Hände und Füße, um Verletzungen zu vermeiden.



Giftige Dämpfe! Kein Betrieb im Innenbereich.



Kraftstoffe sind brennbar. Kein Feuer! Füllen Sie Kraftstoff nicht bei laufendem Motor nach.



Tragen Sie beim Mähen Schutzbrille und Ohrstöpsel, um sich selbst zu schützen.



Ziehen Sie vor Reparaturarbeiten die Zündkerze heraus und nehmen Sie anschließend die Reparatur anhand der Bedienungsanleitung vor.



Achtung: Motor ist heiß.



Lassen Sie den Schaltergriff los, um den Motor zu stoppen.

## 2. ALLGEMEINE SICHERHEITSGESETZEN



**WARNUNG:** Bei der Verwendung von Benzinwerkzeugen müssen Sie stets grundlegende Sicherheitsmaßnahmen befolgen, einschließlich der Folgenden, um das Risiko von schweren Verletzungen und/oder Schäden am Gerät zu verringern. Lesen Sie vor der Inbetriebnahme dieses Produkts alle Anweisungen durch, und bewahren Sie diese zum späteren Nachschlagen auf.



**WARNUNG:** Während des Betriebs erzeugt diese Maschine ein elektromagnetisches Feld. Unter bestimmten Umständen kann dieses Feld aktive oder passive medizinische Implantate beeinträchtigen. Zur Verminderung des Risikos ernsthafter oder tödlicher Verletzungen empfehlen wir Personen mit medizinischen Implantaten, sich vor der Bedienung dieser Maschine an den Arzt oder den Hersteller des medizinischen Implantats zu wenden.

### Einarbeitung

- Lesen Sie alle Anweisungen aufmerksam. Machen Sie sich mit der Bedienung und der ordnungsgemäßen Verwendung des Mähers vertraut. Lernen Sie, den Motor rasch anzuhalten.
- Verwenden Sie den Rasenmäher ausschließlich zum vorgesehenen Zweck, d.h. zum Schneiden und Sammeln von Gras. Die Verwendung zu anderen Zwecken kann gefährlich sein und zur Beschädigung des Geräts führen. Beispiele für eine unsachgemäße Verwendung sind unter anderem:
  - Transport von Personen, Kindern oder Tieren auf dem Gerät;
  - Verwendung als Transportgerät;
  - Verwendung des Geräts zum Ziehen oder Schieben von Lasten;
  - Verwendung des Geräts zum Sammeln von Laub oder Abfällen;
  - Verwendung des Geräts zum Trimmen von Hecken oder zum Schneiden von anderen Pflanzen außer Gras.
  - Bedienung des Geräts durch mehrere Personen;
  - Verwendung des Schnittwerkzeugs auf anderen Oberflächen außer Gras.
- Erlauben Sie Kindern und Personen, die diese Anleitungen nicht kennen, NIEMALS den Gebrauch des Rasenmähers. Örtliche Bestimmungen können das Mindestalter für den Bediener festlegen.
- Verwenden Sie den Rasenmäher niemals:
  - wenn Personen, vor allem Kinder, oder Haustiere in der Nähe sind;

- wenn der Bediener Medikamente oder Substanzen eingenommen hat, die seine Reaktions- und Konzentrationsfähigkeit beeinträchtigen.

- Beachten Sie, dass der Bediener für Unfälle mit oder Gefahren für andere Personen oder deren Eigentum verantwortlich ist.
- Die Benutzer müssen eine sachgerechte Einweisung in Gebrauch, Einstellung und Betrieb der Maschine, einschließlich verbotener Handlungen, erhalten.

### Vorbereitung

- Tragen Sie während des Mähens stets festes Schuhwerk und lange Hosen. Mähen Sie nicht barfuß oder mit leichten Sandalen.
- Überprüfen Sie den vorgesehenen Einsatzbereich des Geräts gründlich, und entfernen Sie sämtliche Objekte, wie z. B. Steine, Spielsachen, Stöcke und Drähte, die von der Maschine weggeschleudert werden können.
- **WARNUNG-** Benzin ist leicht entzündlich.
  - lagern Sie Benzin ausschließlich in dafür vorgesehenen Kanistern;
  - füllen Sie Benzin nur im Freien nach und rauchen Sie nicht dabei;
  - füllen Sie Benzin vor dem Starten des Motors nach. Entfernen Sie niemals die Tankkappe und füllen Sie Benzin nach, wenn der Motor läuft oder heiß ist;
  - falls Benzin ausläuft, starten Sie den Motor nicht, sondern bewegen Sie den Mäher aus diesem Bereich heraus und vermeiden Sie strengsten jede Art von Zündung, bis der Benzindampf verflogen ist;
  - setzen Sie alle Deckel für den Benzintank und Kanister wieder fest auf.
- Tauschen Sie defekte Schalldämpfer aus.
- Führen Sie vor jedem Gebrauch eine Sichtprüfung der Schnittmesser, Schrauben und Schnitteinheit auf Verschleiß und Beschädigungen durch. Tauschen Sie verschlissene oder beschädigte Schneiden und Schrauben nur satzweise aus, um eine Unwucht zu vermeiden.
- Unterziehen Sie alle Startsperrern und Totmanneinrichtungen einer regelmäßigen Überprüfung, um zu gewährleisten, dass sie einwandfrei funktionieren.

### Betrieb

- Betreiben Sie den Motor nicht in Innenräumen, wo sich gefährliches Kohlenmonoxid ansammeln kann.
- Benutzen Sie die Maschine nicht, wenn Sie müde oder krank sind oder unter dem Einfluss von Alkohol oder Medikamenten stehen.
- **Warnung!** Benutzen Sie den Rasenmäher nicht, wenn Blitzgefahr besteht.
- Es wird empfohlen, die Benutzungsdauer zu begrenzen, um Gesundheitsschäden durch Lärm und Vibrationen zu minimieren.
- Lassen Sie Vorsicht walten, wenn Sie den Rasenmäher auf Hängen, auf stark abschüssigem Gelände und in der Nähe von Gräben oder Böschungen benutzen.
- Mähen Sie ausschließlich bei Tageslicht oder ausreichendem Kunstlicht.
- Vermeiden Sie, wenn möglich, den Betrieb des Mähers in feuchtem Gras.

- Achten Sie immer darauf, dass Sie an Hängen einen guten Stand haben.
- Laufen Sie beim Mähen, rennen Sie niemals beim Mähen.
- Mähen Sie bei Walzenmähern quer zum Hang, niemals nach oben und unten.
- Seien Sie besonders vorsichtig, wenn Sie die Richtung am Hang ändern.
- Mähen Sie nicht an Hängen mit übermäßiger Neigung.
- Seien Sie besonders vorsichtig, wenn Sie den Mäher zu sich heranziehen.
- Stoppen Sie das Schnittwerkzeug, wenn der Mäher beim Transport geneigt werden muss, z.B. beim Überqueren von Flächen, die kein Rasen sind, oder beim Transport von und zum zu mähenden Gelände.
- Verwenden Sie den Mäher niemals mit defekten oder ohne Schutzvorrichtungen, beispielsweise ohne Schutzbleche und/oder Grasfänger.
- Achtung: Der Rasenmäher darf nicht ohne den kompletten Grasfänger oder die selbstschließende Auswurföffnungs-Schutzklappe betrieben werden.
- Ändern Sie niemals die Einstellung des Dieselmotorreglers oder überlasten Sie den Motor nicht.
- Unterlassen Sie Änderungen oder Eingriffe an versiegelten Einstellungen für die Motordrehzahlregelung.
- Unterlassen Sie jegliche Manipulierung oder Deaktivierung der Sicherheitssysteme oder Sicherheitsfunktionen des Rasenmähers.
- Kuppeln Sie alle Blatt- und Antriebskupplungen aus, bevor Sie den Motor starten.
- Starten Sie den Motor vorsichtig entsprechend den Anweisungen und mit ausreichendem Abstand zwischen Füßen und Schnittwerkzeug.
- Kippen Sie Rasenmäher nicht, wenn Sie den Motor starten.
- Starten Sie den Motor nicht, wenn Sie vor der Auswurföffnung stehen.
- Halten Sie weder Hände nicht Füße in die Nähe oder unter rotierende Teile. Achten Sie jederzeit auf ausreichenden Abstand zur Auswurföffnung.
- Heben oder tragen Sie einen Rasenmäher niemals mit laufendem Motor.
- Stoppen Sie in folgenden Situationen den Motor und ziehen Sie das Zündkabel ab, vergewissern Sie sich, dass alle sich bewegenden Teile zum völligen Stillstand gekommen sind und entfernen Sie, falls vorhanden, den Schlüssel.
  - vor dem Lösen von Blockierung oder Reinigen des Auswurfs;
  - vor dem Prüfen, Reinigen oder Arbeiten am Rasenmäher;
  - nach dem Anschlagen an Fremdkörper. Überprüfen Sie den Rasenmäher auf Beschädigungen und nehmen Sie ggf. Reparaturen vor, bevor Sie den Rasenmäher wieder starten und den Betrieb fortsetzen;
  - falls der Rasenmäher ungewöhnlich zu vibrieren beginnt (sofort überprüfen).
- Stoppen Sie in folgenden Situationen den Motor und ziehen Sie das Zündkabel ab, vergewissern Sie sich, dass alle sich bewegenden Teile zum völligen

Stillstand gekommen sind und entfernen Sie, falls vorhanden, den Schlüssel.

- wenn Sie den Rasenmäher verlassen;
- vor dem Auftanken.
- Verringern Sie die Gashebeleinstellung, während der Motor aus ist und, falls der Motor mit einem Rückschlagventil ausgestattet ist, leiten Sie das Benzin aus dem Ende des Rasenmähers.
- Verwenden Sie den Rasenmäher ausschließlich zum Schneiden und Sammeln von Gras. Die Verwendung zu anderen Zwecken kann gefährlich sein und zur Beschädigung der Maschine führen.

## Wartung und Lagerung

- Überprüfen Sie, dass alle Muttern, Bolzen und Schrauben stets festgezogen sind, um sichere Arbeitsbedingungen zu gewährleisten.
- Lagern Sie die Maschine niemals mit Benzin im Tank im Inneren eines Gehäuses, wo Dämpfe an offene Flammen oder Funken gelangen können.
- Lassen Sie den Motor abkühlen, bevor Sie das Gerät in einem geschlossenen Raum lagern. Reinigen und warten Sie den Rasenmäher vor der Lagerung.
- Zu Minderung der Brandgefahr müssen Sie Motor, Schalldämpfer, Akkufach und Lagerbereich des Benzins frei von Gras, Blättern und übermäßiger Schmiere halten.
- Überprüfen Sie den Grasfänger häufig auf Verschleiß oder Zerstörung.
- Ersetzen Sie verschlissene oder beschädigte Teile zu Ihrer Sicherheit.
- Falls der Benzintank geleert werden muss, sollten Sie dies im Freien tun.
- Unsachgemäße Wartung, Verwendung von nicht spezifikationsgerechten Ersatzteilen sowie Ausbau oder Abänderung von Sicherheitsteilen können zu einer Beschädigung des Rasenmähers und ernsthafter Verletzung der Benutzer führen.
- Verwenden Sie nur die vom Hersteller empfohlenen Messer und Ersatzteile. Die Verwendung von Fremdteilen kann zu einer Beschädigung der Maschine und Verletzung der Benutzer führen. Halten Sie den Rasenmäher in gutem Betriebszustand.
- Falls die Messerstoppvorrichtung nicht funktioniert, wenden Sie sich bitte an eine Kundendienststelle.

## Transport und Handhabung

- Wenn das Gerät behandelt, angehoben, transportiert oder gekippt werden soll, müssen Sie:
  - feste Arbeitshandschuhe tragen;
  - das Gerät an den Punkten angreifen, die einen sicheren Griff bieten. Achten Sie dabei auf das Gewicht und die Gewichtsverteilung;
  - Arbeiten Sie mit einer dem Gewicht des Geräts und den Fahrzeugeigenschaften bzw. dem Ziel- oder Ausgangsort angemessenen Personenzahl.
- Sichern Sie das Gerät während des Transports mit fest angezogenen Seilen oder Ketten.



**WARNUNG:** Berühren Sie niemals ein rotierendes Blatt.



**WARNUNG:** Füllen Sie Benzin in einem gut belüfteten Bereich bei angehaltenem Motor nach.

### 3. BESCHREIBUNG DER BAUTEILE (Abb. 1 und 2)

#### Einschließlich

A: Schlüssel für Zündkerzenstecker

B: Mulchkeil

### 4. TECHNISCHE DATEN

Modell	PLM4120N	PLM4620N
Motortyp	Baureihe B&S 500E	Baureihe B&S 625E
Selbstantrieb	Nein	Nein
Motorhubraum	140 cm <sup>3</sup>	190 cm <sup>3</sup>
Nennleistung	1,9 kW	2,4 kW
Schneidklingenbreite	410 mm	460 mm
Leerlaufdrehzahl	2.800 U/min	2.800 U/min
Fassungsvermögen Kraftstofftank	0,8 l	1,0 l
Fassungsvermögen Öltank	0,47 l	0,6 l
Volumen Grasfänger	50 l	60 l
Nettogewicht	26,0 kg	31,1 kg
Höheneinstellung	25 – 70 mm, 5 Einstellungen	25 – 70 mm, 5 Einstellungen
Garantierter Schalleistungspegel an der Bedienerposition (Gemäß EN ISO 5395-1 Anhang F und EN ISO 5395-2, EN ISO 4871)	84,6 dB (A) (K = 3 dB (A))	83,5 dB (A) (K = 3 dB (A))
Gemessener Schalleistungspegel	93,4 dB (A) K = 1,93 dB (A)	93,6 dB (A) K = 2,47 dB (A)
Garantierter Schalleistungspegel (Gemäß 2000/14/EG)	96 dB (A)	96 dB (A)
Schwingungen (Gemäß EN ISO 5395-1 Anhang G und EN ISO 5395-2)	5,27 m/s <sup>2</sup> K = 1,5m/s <sup>2</sup>	5,738 m/s <sup>2</sup> K = 1,5m/s <sup>2</sup>

### 5. MONTAGE

#### 5-1 MONTIEREN DES KLAPPBAREN GRIFFS

- Befestigen Sie die untere Lenkerstange am Maschinenkörper mit zwei Sätzen aus Schraube, Unterlegscheibe und Feststellknäuf, wie in der Abbildung dargestellt. (**Abb. 3, Abb. 4, Abb. 5, Abb. 6**)
- Lösen Sie die oberen Lenkerstangen zum Klappen. Verbinden Sie oberen Griff und unteren Griff mit zwei Sätzen aus Schraube, Unterlegscheibe und Feststellknäuf. (**Abb. 7, Abb. 8, Abb. 9**)
- Verlegen Sie alle Kabel über die Griffrohre. Klemmen Sie die Kabel mit Hilfe der Kabelschellen in der Mitte der unteren Handgriffe fest, sodass die Kabel an den Außenseiten des Mähers fixiert sind. Andernfalls können die Kabel beim Öffnen/Schließen der hinteren Abdeckung eingeklemmt oder beim Zusammenklappen des oberen Griffs gequetscht werden. (**Abb. 10**)

#### 5-2 MONTIEREN DES GRASFÄNGERS

- Einsetzen: Heben Sie die hintere Abdeckung an, und haken Sie den Grasfänger an der hinteren Achse am Mäher ein. (**Abb. 11, Abb. 12**)
- Entfernen: Heben Sie die hintere Abdeckung an, und entfernen Sie den Grasfänger.

#### 5-3 STARTERGRIFF

Bewegen Sie den Startergriff vom Motor zur Seilführung. (**Abb. 13, Abb. 14**)

#### 5-4 SCHNITTHÖHE

Drücken Sie den Hebel nach außen, um ihn vom Gestell zu lösen. Bewegen Sie den Hebel vor und zurück, um die Höhe einzustellen. (**Abb. 15 und siehe Abschnitt 8-8**)

### 6. EINSTELLEN AUF EINE GEEIGNETE HÖHE

- Ziehen Sie den Feststellknäuf heraus, mit dem der untere Griff befestigt ist. (**Abb. 16**)
- Bewegen Sie den unteren Griff entsprechend **Abb. 17** nach oben und unten, und stellen Sie den Griff auf die richtige Höhe ein.

An diesem Rasenmäher können 3 verschiedene Höhen eingestellt werden; in Stellung 1 befindet sich der untere Griff in der höchsten Position, in Stellung 3 in der tiefsten.

- 3) Stellen Sie die gewünschte Höhe ein, und befestigen Sie den unteren Griff mit Hilfe der Verriegelungsknöpfe.



**WARNUNG:** Die linke Seite und die rechte Seite des unteren Griffs müssen auf dieselbe Höhe eingestellt sein.

## 7. 2-IN-1

Diese Rasenmäher können je nach Anwendungszweck von der normalen Funktion umgerüstet werden:

Vom Rasenmäher mit rückseitigem Auswurf und Mulchmäher:

Was ist Mulchen?

Beim Mulchen wird das Gras in einem einzigen Arbeitsschritt geschnitten, anschließend fein gehäckselt und als natürlicher Dünger wieder auf den Rasen ausgeworfen.

Tipps zum Mulchmähen:

- Stellen Sie den Verschnitt auf max. 2 cm bei einer Grashöhe von 4 bis 6 cm.
- Verwenden Sie ein scharfes Schnittmesser.
- Mähen Sie nicht, wenn das Gras feucht ist.
- Stellen Sie die maximale Motordrehzahl ein.
- Bewegen Sie sich nur im Arbeitstempo.
- Reinigen Sie den Mulchkeil, das Gehäuseinnere und das Schnittblatt regelmäßig.

### EINS: Umrüsten zum Mulchmäher



**WARNUNG:** Nur bei gestopptem Motor und stillstehendem Schnittmesser.

1. Heben Sie die hintere Abdeckung an und entfernen Sie den Grasfänger.
2. Drücken Sie den Mulchkeil in das Deck. Verriegeln Sie den Mulchkeil mit der Unterseite in der Öffnung am Deck. (**Abb. 18, Abb. 19**)
3. Senken Sie die hintere Abdeckung wieder ab.

### ZWEI: Mähen mit dem Grasfänger

1. Entfernen Sie zum Mähen mit dem Grasfänger den Mulchkeil, und montieren Sie den Grasfänger.
2. Entfernen des Mulchkeils.
  - Heben Sie die hintere Abdeckung an und entfernen Sie den Mulchkeil.



**WARNUNG:** Nur bei gestopptem Motor und stillstehender Klinge.

## 8. BEDIENUNGSANWEISUNGEN

### 8-1 VOR DEM STARTEN

Füllen Sie Benzin und Öl für den Motor nach, wie in dem separaten Motorhandbuch zu Ihrem Mäher aufgeführt. Lesen Sie alle Anweisungen aufmerksam.



**WARNUNG:** Benzin ist leicht entzündlich. Lagern Sie Benzin ausschließlich in dafür vorgesehenen Kanistern.

Füllen Sie Benzin nur im Freien nach, bevor Sie den Motor starten und rauchen Sie nicht dabei.

Entfernen Sie niemals die Tankkappe und füllen Sie Benzin nach, wenn der Motor läuft oder heiß ist. Falls Benzin ausläuft, starten Sie den Motor nicht, sondern bewegen Sie den Mäher aus diesem Bereich heraus und vermeiden Sie strengsten jede Art von Zündung, bis der Benzindampf verfliegen ist.

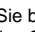

Setzen Sie alle Deckel für den Benzintank und Kanister wieder fest auf.

Entfernen Sie das Benzin aus dem Tank, bevor Sie den Rasenmäher kippen, um das Messer zu warten oder Öl abzulassen.



**WARNUNG:** Tanken Sie niemals im Inneren nach, bei laufenden Motor oder bei noch heißen Motor; lassen Sie den Motor mindestens 15 Minuten nach dem Betrieb abkühlen.

### 8-2 SO STARTEN SIE DEN MOTOR UND SETZEN SIE DIE SCHNEIDKLINGE EIN

1. Der Mäher ist mit einer Gummimanschette über dem Ende der Zündkerze ausgestattet, damit die Metallschlaufe am Ende des Zündkerzenkabels (in der Gummimanschette) sicher über der Metallspitze der Zündkerze befestigt ist.
2. Drücken Sie den Pumpball drei bis fünf Mal, bevor Sie den Motor starten. (**Abb. 20**)
3. Drehen Sie beim Starten des kalten Motors den Gashebel in die Position „“. Drehen Sie beim Warmstarten und Betreiben des Motors den Gashebel in die Position „“. (**Abb. 21**)
4. Greifen Sie hinter dem Mäher stehend den Stoppregelgriff, und halten Sie ihn gegen den oberen Griff (siehe **Abb. 22**).
5. Greifen Sie den Startergriff, wie in **Abb. 22** dargestellt, und ziehen Sie ihn schnell nach oben. Bringen Sie ihn langsam nach dem Starten des Motors zum Seilführungsbolzen zurück. Lassen Sie den Stoppregelgriff los, um den Motor und die Klinge zu stoppen.



Starten Sie den Motor vorsichtig entsprechend den Anweisungen und mit ausreichendem Abstand zwischen Füßen und Schnittwerkzeug.



Kippen Sie Rasenmäher nicht, wenn Sie den Motor starten. Starten Sie den Mäher auf einer ebenen Fläche ohne hohes Gras oder Hindernisse.



Halten Sie Ihre Hände und Füße von beweglichen Teilen fern. Starten Sie den Motor nicht, wenn Sie vor der Auswurföffnung stehen.

### 8-3 BEDIENUNG

Halten Sie den Stoppregelgriff während des Betriebs stets mit beiden Händen fest.



**Hinweis:** Wenn Sie den Stoppregelgriff während des Betriebs loslassen, stoppt der Motor und daher auch der Rasenmäher.



**WARNUNG:** Um unbeabsichtigtes Starten des Rasenmähers zu verhindern, ist dieser mit einer Motorbremse ausgestattet, die zurückgezogen werden muss, bevor der Motor gestartet werden kann. Wenn der Motorsteuerhebel losgelassen wird, muss er zu seiner Ausgangsstellung zurückkehren, wodurch der Motor automatisch ausgeschaltet wird.



**Hinweis:** Motorbremse (Bremsgriff): Benutzen Sie den Hebel, um den Motor zu stoppen. Wenn Sie den Hebel loslassen, bleiben Motor und Messer automatisch stehen. Halten Sie den Hebel zum Mähen in der Arbeitsstellung. Bevor Sie mit dem Mähen beginnen, überprüfen Sie den Start/Stopp-Hebel mehrmals, um sicherzugehen, dass er ordnungsgemäß funktioniert. Vergewissern Sie sich, dass der Spannzeug reibungslos betätigt werden kann (d. h. er bleibt nicht hängen und wird nicht geknickt).

## 8-4 SO STOPPEN SIE DEN MOTOR



**VORSICHT:** Nach dem Stopp des Motors dreht sich die Klinge für einige Sekunden weiter.

1. Lassen Sie den Stoppregelgriff los, um den Motor und die Klinge zu stoppen.
2. Ziehen Sie das Zündkerzenkabel ab und ernen Sie es, wie in dem separaten Motorhandbuch beschrieben, um ein versehentliches Starten des Motors eines unbeaufsichtigten Mähers zu verhindern.

## 8-5 FÜR BESTE ERGEBNISSE BEIM MÄHEN

Lesen Sie Fremdkörper vom Rasen ab. Vergewissern Sie sich, dass keine Steine, Stöcke, Kabel oder Fremdkörper auf dem Rasen herumliegen, die versehentlich vom Mäher in eine beliebige Richtung herausgeschleudert werden und schwere Verletzungen des Bedieners oder anderer Personen oder Sachschäden verursachen könnten. Mähen Sie kein feuchtes Gras. Mähen Sie für ein effektives Mähen kein feuchtes Gras, da dies zum Klumpen an der Deckunterseite neigt und ein richtiges Mähen des Grasschnitts verhindert. Schneiden Sie nicht mehr als 1/3 der Grashöhe ab.

Für das Mähen wird das Abmähen von 1/3 der Grashöhe empfohlen. Die Vorschubgeschwindigkeit muss so angepasst werden, dass der Grasschnitt gleichmäßig auf den Rasen ausgeworfen werden kann. Vor allem beim Schneiden von dickem Gras wird eine der langsamsten Geschwindigkeiten genutzt werden müssen, um einen sauberen, gut gemähten Schnitt zu erhalten. Beim Mähen von langem Gras müssen Sie den Rasen möglicherweise in zwei Durchgängen mähen; mähen Sie im ersten Durchgang 1/3 der Grashöhe ab und im zweiten

Durchgang ein weiteres Drittel und möglicherweise in einem anderen Verlaufsmuster.

Durch leichtes Überlappen jedes Durchgangs können Sie alle vereinzelt, auf dem Rasen verbliebenen Schnitte bereinigen. Der Mäher sollte stets bei Vollgas betrieben werden, um den besten Schnitt zu erhalten und ein effektives Mähen zu erreichen. Reinigen Sie die Deckunterseite.

Reinigen Sie nach jeder Verwendung die Schneiddeckunterseite, um die Ansammlung von Gras zu vermeiden, wodurch ein ordentliches Mulchen verhindert werden könnte.

Mähen von Blättern: Das Mähen von Blättern kann für Ihren Rasen auch von Vorteil sein. Vergewissern Sie sich vor dem Mähen von Blättern, dass diese trocken sind und nicht zu dick auf dem Rasen liegen. Warten Sie nicht, bis alle Blätter von den Bäumen gefallen sind, bevor Sie mähen.



**WARNUNG:** Falls der Mäher auf einen Fremdkörper schlägt, stoppen Sie den Motor. Ziehen Sie das Kabel vom Zündkerzenstecker, überprüfen Sie den Mäher gründlich auf Beschädigungen und reparieren Sie Schäden, bevor Sie den Mäher neu starten und weiter betreiben. Übermäßige Vibrationen des Mähers während des Betriebs sind Anzeichen eines Schadens. Der Mäher sollte umgehend überprüft und repariert werden.

**Hinweis:** Motorbremse (Bremsgriff): Benutzen Sie den Hebel, um den Motor zu stoppen. Wenn Sie den Hebel loslassen, bleiben Motor und Messer automatisch stehen. Halten Sie den Hebel zum Mähen in der Arbeitsstellung. Bevor Sie mit dem Mähen beginnen, überprüfen Sie den Start/Stopp-Hebel mehrmals, um sicherzugehen, dass er ordnungsgemäß funktioniert. Vergewissern Sie sich, dass der Spannzeug reibungslos betätigt werden kann (d. h. er bleibt nicht hängen und wird nicht geknickt).

## 8-6 GRASFÄNGER

Leeren und reinigen Sie den Grasfänger und stellen Sie die Durchblasen durch das Maschenwerk sicher. (Abb. 23)

## 8-7 DECK

Die Unterseite des Mäherdecks muss nach jeder Verwendung gereinigt werden, um ein Ansammeln von Grasschnitt, Blättern, Schmutz oder anderen Materialien zu verhindern. Falls sich Fremdkörper ansammeln können, wird Rost und Oxydation begünstigt, und ein ordentliches Mulchen möglicherweise verhindert. Möglicherweise müssen Sie zum Reinigen des Decks den Mäher kippen und mit einem geeigneten Werkzeug sauber kratzen. (Ziehen Sie auf jeden Fall den Zündkerzenstecker ab)

## 8-8 ANLEITUNGEN ZUR HÖHEEINSTELLUNG



**ACHTUNG:** Nehmen Sie NIEMALS Einstellungen am Rasenmäher vor, ohne dass Sie zuerst den Motor gestoppt und das Zündkerzenkabel abgezogen haben.





**ACHTUNG:** Stoppen Sie den Mäher und ziehen Sie das Zündkerzenkabel ab, bevor Sie die Schnitthöhe ändern. Ihr Rasenmäher ist mit einem zentralen Höheneinstellungshebel ausgestattet, über den Sie 5 Höhenpositionen einstellen können.

1. Stoppen Sie den Mäher und ziehen Sie das Zündkerzenkabel ab, bevor Sie die Schnitthöhe ändern.
2. Der zentrale Höheneinstellungshebel bietet 5 verschiedene Höhenpositionen.
3. Zum Ändern der Schnitthöhe drücken Sie den Einstellungshebel in Richtung Rad und bewegen Sie diesen nach oben oder unten auf die gewünschte Höhe (**Abb. 24**). Alle Räder müssen auf gleicher Schnitthöhe sein.

## 9. WARTUNGSANWEISUNGEN

### ZÜNDKERZENSTECKER

Verwenden Sie für den Zündkerzenstecker nur originale Ersatzteile. Tauschen Sie für beste Ergebnisse den Zündkerzenstecker aller 100 Betriebsstunden aus. (Siehe MOTORHANDBUCH)

### BREMSBELÄGE

Überprüfen und/oder ersetzen Sie die Motorbremsbeläge in regelmäßigen Wartungsintervallen. Nur Originalteile dürfen als Ersatz verwendet werden.

## 10. SCHMIERUNGSANWEISUNGEN



**ACHTUNG:** TRENNEN SIE VOR WARTUNGSARBEITEN DIE ZÜNDKERZE AB.

1. RÄDER: Schmier Sie die Kugellager in jedem Rad mindestens 1x in der Saison mit einem Leichtöl.
2. MOTOR: Halten Sie sich an die Schmierungsanweisungen im Motorhandbuch.
3. STOPPREGELUNG: Schmieren Sie die Drehpunkte am Stoppregelgriff und Bremskabel mindestens 1x in der Saison mit einem Leichtöl. Die Stoppregelung muss in beide Richtungen frei beweglich sein.

## 11. REINIGEN



**ACHTUNG:** Spritzen Sie den Motor nicht ab. Wasser kann den Motor beschädigen und das Kraftstoffsystem verunreinigen.

1. Reiben Sie das Deck mit einem trockenen Tuch ab.
2. Spritzen Sie unter das Deck, indem Sie den Mäher so kippen, dass die Zündkerze oben ist.

### 11-1 MOTORENLUFTREINIGER



**ACHTUNG:** Erlauben Sie nicht, dass Dreck und Schmutz den Luftfilter verschmutzen.

Das Luftreinigerelement des Motors muss nach 25 Stunden normalen Mähens gereinigt werden. Das

Schaumstoffelement muss regelmäßig gereinigt werden, wenn der Mäher in trockenen und staubigen Bedingungen verwendet wird. (Siehe MOTORHANDBUCH.)

### SO REINIGEN SIE DEN LUFTFILTER

1. Für PLM4120N: Heben Sie die Laschen oben an der Filterabdeckung an.  
Für PLM4620N: Entfernen Sie die Schraube.
2. Entfernen Sie die Abdeckung.
3. Waschen Sie das Filterelement in Seifenwasser.  
**VERWENDEN SIE KEIN BENZIN.**
4. Lassen Sie das Luftreinigungselement an der Luft trocknen.
5. Geben Sie einige Tropfen SAE30-Öl auf den Schaumfilter, und quetschen Sie überschüssiges Öl aus.
6. Setzen Sie den Filter wieder ein.
7. Schließen Sie den Filterdeckel.



**HINWEIS:** Tauschen Sie den Filter aus, falls dieser ausgefranst, verschlissen, beschädigt oder nicht zu reinigen ist. (**Abb. 25 für PLM4120N**)

### 11-2 SCHNEIDKLINGE



**ACHTUNG:** Trennen und erden Sie auf jeden Fall den Zündkerzenstecker, bevor Sie an der Schneidklinge arbeiten, um ein versehentliches Starten des Motors zu verhindern. Schützen Sie Ihre Hände mit Handschuhen oder einem Lappen, wenn Sie die Schneidklingen anfassen.

Kippen Sie den Mäher, wie in dem separaten Motorhandbuch angegeben. Entfernen Sie die Sechskantschraube, die die Klinge und den Klinsenadapter auf der Motorwelle hält. Entfernen Sie die Klinge und den Adapter von der Welle.



**WARNUNG:** Überprüfen Sie regelmäßig den Schneidklingenadapter auf Risse, vor allem, wenn Sie einen Fremdkörper gestreift haben. Tauschen Sie diesen bei Bedarf aus.

Für beste Ergebnisse sollte die Schneidklinge scharf sein. Sie können die Klinge nachschärfen, entfernen Sie sie dazu und schleifen oder feilen Sie die Schnittkante so nah wie möglich an der originalen Abfasung nach. Es ist extrem wichtig, dass jede Schnittkante gleichmäßig abgetragen wird, um eine Schneidklingenunwucht zu vermeiden. Eine Schneidklingenunwucht führt zu übermäßigen Schwingungen und eventueller Beschädigung von Motor und Mäher. Wuchten Sie die Schneidklinge nach dem Schärfen sorgfältig aus. Balancieren Sie die Schneidklinge dafür auf dem runden Teil eines Schraubendrehers. Entfernen Sie Material von der schwereren Seite, bis die Schneidklinge in der Balance ist. (**Abb. 26**)

Schmieren Sie vor der Wiedermontage der Schneidklinge und des Schneidklingenadapters die Motorwelle und die Innenfläche des Schneidklingenadapters mit Leichtöl. Setzen Sie den Schneidklingenadapter auf die Welle. Siehe **Abb. 26**. Setzen Sie die Schneidklinge mit der Teilenummer weg vom Adapter zeigend auf. Richten Sie

die Unterlegscheibe über der Schneidklinge aus, und setzen Sie die Sechskantschraube auf. Ziehen Sie die Sechskantschraube mit dem angegebenen Drehmoment an.

### 11-3 MONTAGEDREHMOMENT FÜR DIE SCHNEIDKLINGE

Der Mittelbolzen muss mit einem Moment von 35 bis 45 Nm festgezogen werden, um einen sicheren Betrieb Ihres Werkzeugs zu gewährleisten. Prüfen Sie alle Muttern und Schrauben regelmäßig auf festen Sitz. Nach einer längeren Verwendung, vor allem bei sandigen Böden, verschleißt die Schneidklinge und verliert ihre ursprüngliche Schärfe. Ein effizientes Mähen wird vermindert und die Klinge muss ausgetauscht werden. Verwenden Sie als Austausch ausschließlich eine genehmigte Ersatzschneidklinge. Mögliche Schäden aufgrund einer Schneidklingenunwucht liegen nicht in der Verantwortlichkeit des Herstellers. Wenn Sie die Klinge tauschen, müssen Sie den auf der Klinge angegebenen Originaltyp wieder verwenden (MAKITA 263001433 für PLM4120N; MAKITA 263001451 für PLM4620N) (für die Bestellung der Klinge wenden Sie sich an Ihren Händler vor Ort oder rufen in unserem Unternehmen an).



**WARNUNG:** Berühren Sie niemals ein rotierendes Blatt.

### 11-4 MOTOR

Schlagen Sie im separaten Motorhandbuch die Wartungsanweisungen für den Motor nach. Wechseln Sie das Motoröl wie in dem separaten Motorhandbuch zu Ihrem Mäher aufgeführt. Lesen Sie alle Anweisungen aufmerksam durch und befolgen Sie diese. Warten Sie den Luftreiniger unter normalen Bedingungen, wie im separaten Motorhandbuch angegeben. Reinigen Sie diese unter extrem staubigen Bedingungen aller paar Stunden. Schlechte Motorleistung und Absaufen weisen gewöhnlich auf eine fällige Wartung des Luftreinigers hin. Warten Sie den Luftreiniger wie in dem separaten Motorhandbuch zu Ihrem Mäher aufgeführt. Der Zündkerzenstecker muss sauber sein und der Abstand sollte 1x pro Saison eingestellt werden. Ein Austausch des Zündkerzensteckers wird zu Beginn jeder Mähseason empfohlen. Den korrekten Steckertyp und die Abstandsdaten finden Sie im Motorhandbuch. Reinigen Sie den Motor regelmäßig mit einem Tuch oder einer Bürste. Halten Sie das Kühlsystem (Bereich des Gebläsegehäuses) sauber, um die richtige Luftzirkulation zu gewährleisten, die für die Leistung und die Lebenszeit des Motors wichtig ist. Entfernen Sie Gras, Schmutz und entflammbare Fremdkörper aus dem Schalldämpferbereich.

## 12. LAGERUNGSANWEISUNGEN (AUSSERHALB DER SAISON)

Die folgenden Schritte sollten unternommen werden, um den Rasenmäher auf eine Lagerung vorzubereiten.

1. Leeren Sie den Tank nach dem letzten Mähen der Saison.

- a) Leeren Sie den Benzintank mit einer Ansaugpumpe.



**ACHTUNG:** Lassen Sie das Benzin nicht in geschlossenen Räumen, in unmittelbarer Nähe von Feuer usw. ab. Rauchen Sie nicht! Benzindämpfe können zu einer Explosion oder einem Brand führen.

- b) Starten Sie den Motor und lassen Sie ihn laufen, bis alles verbliebene Benzin verbraucht ist und er stehen bleibt.
  - c) Entfernen Sie die Zündkerze. Füllen Sie mit einer Ölkanne ca. 20 ml Öl in die Verbrennungskammer. Betätigen Sie den Starter, um das Öl gleichmäßig in der Verbrennungskammer zu verteilen. Setzen Sie die Zündkerze wieder ein.
2. Reinigen und schmieren Sie den Rasenmäher sorgfältig, wie unter „SCHMIERUNGSANWEISUNGEN“ beschrieben.
  3. Schmieren Sie die Schneidfläche zur Vermeidung von Korrosion leicht ein.
  4. Bewahren Sie den Rasenmäher in einem trockenen, sauberen und frostgeschützten Raum außerhalb der Reichweite unautorisierten Personen auf.



**ACHTUNG:** Der Motor muss vor der Lagerung des Rasenmähers völlig abgekühlt sein.



### HINWEIS:

Wenn Antriebsaggregate jeglichen Typs in einem unbelüfteten oder Materiallagerhaus gelagert werden;

- Achten Sie auf einen Rostschutz der Maschine. Tragen Sie ein Leichtöl oder Silikon auf die Maschine auf, vor allem auf Kabel und alle sich bewegenden Teile.
- Achten Sie darauf, Kabel nicht zu biegen oder zu knicken.
- Falls das Starterseil von der Seilführung am Griff abgetrennt wird, ziehen Sie das Zündkerzenkabel ab und erden Sie es. Drücken Sie den Klängenregelgriff und ziehen Sie das Starterseil langsam aus dem Motor. Schieben Sie das Starterseil in den Seilführungsbolzen am Griff.

### Transport

Stellen Sie den Motor ab, und lassen Sie ihn abkühlen. Ziehen Sie dann das Zündkerzenkabel ab, und entleeren Sie den Kraftstofftank gemäß den Anweisungen im Motorhandbuch. Stellen Sie sicher, dass das Schneidglied nicht verbogen oder beschädigt wird, wenn Sie den Rasenmäher über Hindernisse schieben.

# 13. PROBLEMBEHEBUNG

PROBLEM	MÖGLICHE URSACHE	KORREKTURMASSNAHME
Motor startet nicht.	Gashebel nicht in der richtigen Position für die vorherrschenden Bedingungen.	Bewegen Sie den Gashebel in die richtige Position.
	Benzintank ist leer.	Füllen Sie Benzin nach. (Siehe MOTORHANDBUCH)
	Luftreinigungselement ist verschmutzt.	Reinigen Sie das Luftreinigungselement. (Siehe MOTORHANDBUCH)
	Zündkerzenstecker ist lose.	Ziehen Sie den Zündkerzenstecker mit einem Moment von 25 bis 30 Nm fest.
	Zündkerzenkabel ist lose oder vom Stecker abgetrennt.	Bringen Sie das Zündkerzenkabel am Zündkerzenstecker an.
	Abstand der Zündkerze ist nicht korrekt.	Stellen Sie den Abstand zwischen den Elektroden auf 0,7 bis 0,8 mm ein.
	Zündkerzenstecker ist defekt.	Bauen Sie einen neuen Stecker mit korrektem Abstand ein. (Siehe MOTORHANDBUCH)
	Vergaser ist mit Benzin abgesoffen.	Entfernen Sie das Luftreinigungselement und ziehen Sie das Starterseil kontinuierlich, bis der Vergaser sich selbst leert und setzen Sie das Luftreinigungselement wieder ein.
	Defektes Zündungsmodul.	Wenden Sie sich an ein von Makita autorisiertes Servicezentrum.
Motor kann nur schwierig gestartet werden oder verliert an Leistung.	Schmutz, Wasser oder abgestandenes Benzin im Tank.	Lassen Sie das Benzin ab und reinigen Sie den Tank. Füllen Sie sauberes und frisches Benzin nach.
	Belüftungsloch im Benzintankdeckel ist verstopft.	Reinigen Sie den Tankdeckel oder ersetzen Sie ihn.
	Luftreinigungselement ist verschmutzt.	Reinigen Sie das Luftreinigungselement.
Motor läuft unstet.	Zündkerzenstecker ist defekt.	Bauen Sie einen neuen Stecker mit korrektem Abstand ein. (Siehe MOTORHANDBUCH)
	Abstand der Zündkerze ist nicht korrekt.	Stellen Sie den Abstand zwischen den Elektroden auf 0,7 bis 0,8 mm ein.
	Luftreinigungselement ist verschmutzt.	Reinigen Sie das Luftreinigungselement. (Siehe MOTORHANDBUCH)
Motorleerlauf zu gering.	Luftreinigungselement ist verschmutzt.	Reinigen Sie das Luftreinigungselement. (Siehe MOTORHANDBUCH)
	Luftschlitz in Motorabdeckung sind blockiert.	Säubern Sie die Schlitz von Unrat.
	Kühlrippen und Luftdurchgänge unter dem Gebläsegehäuse des Motors sind blockiert.	Entfernen Sie die Fremdkörper aus den Kühlrippen und Luftdurchgängen.
Motor setzt bei hoher Drehzahl aus.	Anstand zwischen Elektroden des Zündsteckers ist zu eng.	Stellen Sie den Abstand zwischen den Elektroden auf 0,7 bis 0,8 mm ein.
Motor überhitzt.	Kühlluftstrom ist eingeschränkt.	Entfernen Sie alle Fremdkörper aus den Schlitzen in der Abdeckung, Gebläsegehäuse und Luftdurchgängen.
	Fehlerhafter Zündkerzenstecker.	Für PLM4120N: Installieren Sie eine Zündkerze des Typs RC12YC oder QC12YC und Kühlrippen am Motor. Für PLM4620N: Bauen Sie eine Zündkerze RJ19LMC und Kühlrippen am Motor ein.
Mäher vibriert abnormal.	Schnittbaugruppe ist lose.	Ziehen Sie die Klinge fest.
	Schnittbaugruppe ist nicht ausgewuchtet.	Wuchten Sie die Klinge aus.

## 14. UMWELT

Sollte Ihre Maschine nach langem Gebrauch ausgetauscht werden, geben Sie diese nicht zum Hausmüll, sondern entsorgen Sie sie umweltfreundlich und sicher.

### Nur für europäische Länder

#### EG-Konformitätserklärung

**Makita erklärt, dass die folgende(n) Maschine(n):**

Bezeichnung des Geräts:

Benzin-Rasenmäher

Nummer / Typ des Modells: PLM4120N, PLM4620N

Technische Daten: Siehe „4. TECHNISCHE DATEN“

**den folgenden Richtlinien der Europäischen Union genügen:**

2004/108/EG, 2006/42/EG, 2000/14/EG und 2005/88/EG

Sie werden gemäß den folgenden Standards oder standardisierten Dokumenten hergestellt:

EN ISO 5395-1, EN ISO 5395-2, EN ISO 14982

Die technische Akte in Übereinstimmung mit 2006/42/EG ist erhältlich von:

Makita, Jan-Baptist Vinkstraat 2, 3070, Belgien

Das Verfahren der Konformitätsbewertung, das in der Richtlinie 2000/14/EG verlangt wird, wurde in Übereinstimmung mit Anhang VI durchgeführt.

Benannte Stelle:

TÜV SÜD Industrie Service GmbH  
Westendstrasse 199, D-80686 München,  
Deutschland  
ID-Nummer: 0036

PLM4120N

Gemessener Schalleistungspegel: 93,4 dB

Garantierter Schalleistungspegel: 96 dB

PLM4620N

Gemessener Schalleistungspegel: 93,6 dB

Garantierter Schalleistungspegel: 96 dB

22.8.2014



Yasushi Fukaya  
Geschäftsführer

Makita, Jan-Baptist Vinkstraat 2, 3070, Belgien

**Spiegazione della vista generale**

- |   |                                       |                        |
|---|---------------------------------------|------------------------|
| 1. Impugnatura superiore                  | 5. Guida della corda                  | 11. Tappo dell'olio    |
| 2. Impugnatura di controllo dell'arresto  | 6. Sacco raccogliherba                | 12. Gancio fermacavo   |
| 3. Leva dell'acceleratore e dello starter | 7. Leva di regolazione in altezza     | 13. Manopola di blocco |
| 4. Impugnatura di avviamento              | 8. Corpo                              | 14. Velocità elevata   |
|   | 9. Candela                            | 15. Velocità ridotta   |
|   | 10. Tappo del serbatoio di carburante |                        |

**AVVERTENZA**

Per la propria sicurezza, l'operatore deve leggere questo manuale prima di cercare di far funzionare la nuova unità. La mancata osservanza delle istruzioni può causare gravi infortuni. Dedicare qualche momento per familiarizzarsi con il rasaerba prima di ogni uso. Conservare questo manuale in un luogo sicuro, in modo da avere sempre disponibili le sue informazioni. Dando la macchina a terzi, consegnare anche queste istruzioni per l'uso e le norme per la sicurezza.

**Utilizzo designato**

Questa macchina può essere usata soltanto per i lavori per i quali è stata progettata. Qualsiasi altro utilizzo viene considerato come un caso di uso scorretto. Per ogni danno o incidente conseguente da ciò è responsabile l'utilizzatore/operatore, e non il produttore.

Questo rasaerba a benzina è inteso per l'uso privato, e cioè per l'utilizzo in ambienti e giardini domestici.

L'utilizzo privato del rasaerba si riferisce a un tempo operativo annuo che non superi generalmente le 50 ore, durante il quale la macchina viene principalmente usata per la manutenzione di piccoli prati residenziali e come hobby personale di giardinaggio. È escluso l'impiego per gli impianti pubblici, sportivi e le applicazioni agricole/forestali.

Tenere presente che questa macchina non è stata progettata per l'impiego nelle attività commerciali, economiche o industriali. La garanzia si invalida se la macchina viene usata nelle attività commerciali, economiche, industriali, o per scopi simili.

Le istruzioni per l'uso fornite dal produttore devono essere conservate e consultate per assicurare che il rasaerba venga utilizzato e mantenuto correttamente. Le istruzioni contengono informazioni molto utili per le condizioni di utilizzo, manutenzione e assistenza.

Importante! A causa del grande rischio di incidenti per l'operatore, il rasaerba non deve essere usato per cimare i cespugli, i bordi o gli arbusti, o per tagliare i rampicanti, i tetti piantati o l'erba cresciuta sui balconi, per pulire (aspirare) lo sporco e frammenti nei vialetti, oppure per fare a pezzi i tronchi d'albero o per la bordatura. Inoltre, il rasaerba non deve essere usato come coltivatore motorizzato per spianare le elevazioni, quali i rialzi di terra delle talpe.

Per motivi di sicurezza, il rasaerba non deve essere usato come fonte di alimentazione di altri utensili, o kit di attrezzi di qualsiasi tipo.

**1. SIMBOLI PRESENTI SUL PRODOTTO (sul coperchio posteriore)**

Consultare il manuale dell'operatore.



Tenere a distanza gli osservatori.



Prestare particolare attenzione a mani e piedi dell'operatore per evitare infortuni.



Fumi tossici; Non utilizzare al chiuso.



Il carburante è infiammabile; conservarlo a distanza di sicurezza dalle fiamme. Non aggiungere carburante quando la macchina è in funzione.



Durante la rasatura, indossare gli occhiali e i tappi per le orecchie a scopo di protezione.



Durante la riparazione, togliere la candela e procedere alla riparazione attenendosi al manuale di istruzioni.



Attenzione: Il motore è caldo.



Rilasciare l'impugnatura di accensione per arrestare il motore.

## 2. REGOLE DI SICUREZZA GENERALI



**AVVERTENZA:** Durante l'uso di macchine a benzina, è necessario adottare tutte le precauzioni di base per la sicurezza, comprese quelle indicate di seguito, per ridurre il rischio di gravi infortuni e/o danni all'unità.

Leggere tutte le istruzioni prima di azionare il prodotto e conservarle per successive consultazioni.



**AVVERTENZA:** La macchina produce un campo elettromagnetico quando è in uso. In alcune circostanze il campo potrebbe interferire con gli impianti medicali attivi o passivi. Per ridurre il rischio di incidenti gravi o mortali, si raccomanda alle persone con impianti medicali di consultare il proprio medico e il produttore dell'impianto medicale prima di utilizzare questa macchina.

### Addestramento

- Leggere attentamente le istruzioni. Acquisire familiarità con i comandi e con l'uso corretto dell'apparecchiatura. Imparare ad arrestare rapidamente il motore.
- Utilizzare il rasaerba esclusivamente per lo scopo per cui è stato progettato, cioè il taglio e la raccolta dell'erba. Eventuali altri utilizzi possono essere pericolosi e causare danni alla macchina. Rientrano nell'uso improprio (come esempio, ma non solo):
  - trasportare sulla macchina persone, bambini o animali;
  - farsi trasportare dalla macchina;
  - usare la macchina per trainare o spingere carichi;
  - usare la macchina per la raccolta di foglie o detriti;
  - usare la macchina per potare siepi, o per il taglio di vegetazione di tipo non erboso;
  - utilizzare la macchina in più di una persona;
  - azionare la lama nei tratti non erbosi.
- Non permettere che il rasaerba venga utilizzato da bambini o da persone che non abbiano dimistichezza con le presenti istruzioni. Le leggi locali possono fissare un'età minima per l'utilizzatore.
- Non utilizzare mai il rasaerba:
  - in presenza di persone, in particolare bambini, o animali nelle vicinanze;
  - se l'utilizzatore ha assunto farmaci o sostanze che possono alterare le sue capacità di riflesso e attenzione.
- Tenere presente che l'operatore o l'utilizzatore è responsabile di incidenti o pericoli che possono riguardare altre persone o le loro proprietà.
- Gli operatori devono ricevere il corretto addestramento per l'uso, la regolazione e il funzionamento della macchina, operazioni proibite comprese.

### Preparazione

- Durante il taglio, indossare sempre calzature solide e pantaloni lunghi. Non azionare l'apparecchiatura a piedi nudi o se si indossano sandali aperti.

- Ispezionare a fondo l'area dove si intende usare la macchina, e rimuovere tutti gli oggetti, come pietre, giocattoli, stecchi e fili elettrici, che possono essere scagliati dalla macchina.
- **AVVERTENZA:** La benzina è altamente infiammabile.
  - conservare il carburante in contenitori progettati specificamente per questo scopo;
  - eseguire il rifornimento all'aperto e non fumare durante il rifornimento;
  - aggiungere il carburante prima di avviare il motore. Non rimuovere il tappo del serbatoio di carburante e non aggiungere benzina mentre il motore è in funzione o se il motore è caldo;
  - in caso di fuoriuscite di benzina, non avviare il motore, ma allontanare la macchina dall'area della fuoriuscita ed evitare di creare fonti di accensione fino alla completa dissipazione dei vapori della benzina;
  - riapplicare correttamente i tappi del serbatoio di carburante e del contenitore.
- Sostituire le marmitte difettose.
- Prima dell'uso, ispezionare visivamente la macchina per controllare che le lame, i bulloni e il gruppo di taglio non siano usurati o danneggiati. Sostituire le lame e i bulloni usurati o danneggiati in gruppi per mantenere l'equilibratura.
- Controllare regolarmente per accertarsi che tutti i comandi di avviamento asservito e di presenza dell'operatore funzionino correttamente.

### Funzionamento

- Non azionare il motore in uno spazio limitato, dove potrebbero raccogliersi i pericolosi fumi del monossido di carbonio.
- L'operatore non deve usare la macchina se è stanco, malato o sotto l'influsso di alcol o medicinali.
- **Avvertenza!** Il rasaerba non deve essere usato quando c'è pericolo di fulmini.
- Si consiglia di limitare la durata delle operazioni, per minimizzare i rischi di rumori e vibrazioni.
- Fare attenzione quando si usa il rasaerba sui pendii e vicino a discese ripide, fossi o argini.
- Utilizzare il rasaerba solamente alla luce del giorno o con buona luce artificiale.
- Evitare di utilizzare l'apparecchiatura sull'erba bagnata, se possibile.
- Accertarsi sempre del proprio punto d'appoggio sui terreni in pendenza.
- Camminare, senza correre.
- Per le macchine dotate di ruote, procedere in senso trasversale rispetto ai pendii.
- Prestare la massima attenzione ai cambi di direzione sui pendii.
- Non utilizzare il rasaerba su pendii eccessivamente ripidi.
- Prestare particolare attenzione durante i cambi di direzione o quando si tira il rasaerba verso di sé.
- Fermare la lama (o le lame) se il rasaerba deve essere inclinato per il trasporto, nell'attraversare superfici non erbose e quando il rasaerba viene trasportato da o verso l'area che deve essere tagliata.

- Non azionare mai il rasaerba se le protezioni sono difettose oppure in assenza dei dispositivi di sicurezza, ad esempio i deflettori e/o i sacchi raccogliherba.
- **Attenzione:** Il rasaerba non deve essere usato senza l'intero raccogliherba o la protezione dell'apertura di scarico a chiusura automatica in posizione.
- Non cambiare le impostazioni di funzionamento del motore e non sovraccaricare il motore.
- Non alterare o manomettere un qualsiasi dispositivo sigillato di regolazione per il controllo della velocità del motore.
- I sistemi o le funzioni di sicurezza del rasaerba non devono essere manomessi o disattivati.
- Disimpegnare la frizione della lama e di azionamento prima di avviare il motore.
- Avviare attentamente il motore, attenendosi alle istruzioni e tenendo i piedi a distanza dalle lame.
- Non inclinare il rasaerba durante l'avviamento del motore.
- Non avviare il motore rimanendo in piedi davanti al convogliatore di scarico.
- Non avvicinare mani e piedi alle parti rotanti o alle aree sottostanti. Rimanere sempre lontani dall'apertura di scarico.
- Non sollevare o trasportare il rasaerba quando il motore è in funzione.
- Spegnerne il motore e scollegare il filo della candela, assicurarsi che tutte le parti in movimento si siano completamente fermate e, se presente, rimuovere la chiave:
  - prima di rimuovere le ostruzioni o di disintasarne il convogliatore;
  - prima di controllare, pulire o lavorare sul rasaerba;
  - dopo aver colpito un corpo estraneo. Verificare eventuali danni sul rasaerba ed effettuare le necessarie riparazioni prima di usare nuovamente la macchina;
  - se il rasaerba inizia a vibrare in modo anomalo (eseguire un controllo immediato).
- Spegnerne il motore e scollegare il filo della candela, assicurarsi che tutte le parti in movimento si siano completamente fermate e, se presente, rimuovere la chiave:
  - quando si lascia incustodito il rasaerba;
  - prima del rifornimento.
- Ridurre l'impostazione dell'acceleratore durante lo spegnimento del motore e, se il motore è dotato di una valvola di intercettazione, chiudere l'ingresso del carburante alla fine della rasatura.
- Utilizzate il rasaerba esclusivamente per lo scopo al quale è destinato, cioè il taglio e la raccolta dell'erba. Eventuali altri utilizzi possono essere pericolosi e causare danni alla macchina.
- Lasciare raffreddare il motore prima di riporre la macchina in un ambiente chiuso. Eseguire la pulizia e la manutenzione del rasaerba prima del suo immagazzinaggio.
- Per ridurre il pericolo di incendi, rimuovere dal motore, dalla marmitta, dal vano batteria e dal serbatoio di benzina eventuali residui di erba, foglie o grasso in eccesso.
- Controllare di frequente il sacco raccogliherba per verificarne l'usura o il deterioramento.
- Sostituire le parti usurate o danneggiate per garantire la sicurezza.
- Se fosse necessario svuotare il serbatoio di carburante, svolgere l'operazione all'aperto.
- La manutenzione sbagliata, l'impiego di ricambi inadatti, o la rimozione o modifica dei dispositivi di sicurezza, possono danneggiare il rasaerba e causare un serio incidente all'operatore.
- Usare soltanto le lame e i ricambi consigliati dal produttore. L'impiego di parti non genuine può danneggiare la macchina e causare un incidente all'operatore. Mantenere il rasaerba in buone condizioni di funzionamento.
- Se il dispositivo di arresto della lama non funziona, rivolgersi al Centro di Assistenza.

### Trasporto e movimentazione

- Ogni volta che è necessario spostare, sollevare, trasportare o inclinare la macchina occorre:
  - indossare robusti guanti da lavoro;
  - afferrare la macchina in punti che offrano una presa sicura, tenendo conto del peso e della sua ripartizione;
  - impiegare un numero di persone adeguato al peso della macchina e alle caratteristiche del mezzo di trasporto o del posto nel quale deve essere collocata o prelevata.
- Durante il trasporto, assicurare adeguatamente la macchina mediante funi o catene.



**AVVERTENZA:** Non toccare le lame in rotazione.



**AVVERTENZA:** Eseguire il rifornimento in un'area ventilata con il motore spento.

## 3. DESCRIZIONE DELLE PARTI (Fig. 1 e 2)

### Compresi

- A: Chiave della candela
- B: Cuneo di pacciamatura

### Manutenzione e conservazione

- Mantenere serrati dadi, bulloni e viti per garantire che l'apparecchiatura sia in condizioni di funzionamento sicure.
- Non conservare un'apparecchiatura il cui serbatoio contiene benzina all'interno di un edificio in cui i fumi possono entrare a contatto con fiamme libere o scintille.

## 4. DATI TECNICI

Modello	PLM4120N	PLM4620N
Tipo di motore	B&S Serie 500E	B&S Serie 625E
Semovente	No	No
Cilindrata del motore	140 cm <sup>3</sup>	190 cm <sup>3</sup>
Potenza nominale	1,9 kW	2,4 kW
Larghezza della lama	410 mm	460 mm
Velocità al minimo	2.800/min	2.800/min
Capacità del serbatoio di carburante	0,8 l	1,0 l
Capacità del serbatoio dell'olio	0,47 l	0,6 l
Capacità del sacco raccoglierba	50 l	60 l
Peso netto	26,0 kg	31,1 kg
Regolazione in altezza	25 – 70 mm, incrementi di 5 mm	25 – 70 mm, incrementi di 5 mm
Livello di pressione sonora garantito alla posizione dell'operatore (conformemente a EN ISO 5395-1 Allegato F e EN ISO5395-2, EN ISO 4871)	84,6 dB (A) (K = 3 dB (A))	83,5 dB (A) (K = 3 dB (A))
Livello di potenza sonora misurato	93,4 dB (A) K = 1,93 dB (A)	93,6 dB (A) K = 2,47 dB (A)
Livello di potenza sonora garantito (conformemente a 2000/14/CE)	96 dB (A)	96 dB (A)
Vibrazione (Conformemente a EN ISO 5395-1 Allegato G e EN ISO5395-2)	5,27 m/s <sup>2</sup> K = 1,5 m/s <sup>2</sup>	5,738 m/s <sup>2</sup> K = 1,5 m/s <sup>2</sup>

## 5. MONTAGGIO

### 5-1 MONTAGGIO DELL'IMPUGNATURA RIPIEGABILE

- Fissare le impugnature inferiori al corpo dell'unità con due set di bulloni, rondelle e manopole di blocco, come mostrato. (Fig. 3, Fig. 4, Fig. 5, Fig. 6)
- Sbloccare le impugnature superiori per ripiegarle. Collegare l'impugnatura superiore e quella inferiore con due set di bulloni, rondelle e manopole di blocco. (Fig. 7, Fig. 8, Fig. 9)
- Posizionare tutti i cavi sopra gli alberi delle impugnature. Fissarli intorno alla parte centrale delle impugnature inferiori utilizzando i serracavi, in modo che i cavi siano fissati all'esterno della macchina. In caso contrario, i cavi potrebbero impigliarsi durante l'apertura o la chiusura del coperchio posteriore o essere sottoposti a pressione durante il ripiegamento dell'impugnatura superiore. (Fig. 10)

### 5-2 MONTAGGIO DEL SACCO RACCOGLIERBA

- Per il montaggio: Sollevare il coperchio posteriore e agganciare il sacco raccoglierba all'albero nella parte posteriore del rasaerba. (Fig. 11, Fig. 12)
- Per la rimozione: Afferrare e sollevare il coperchio posteriore, quindi rimuovere il sacco raccoglierba.

### 5-3 IMPUGNATURA DI AVVIAMENTO

Spostare l'impugnatura di avviamento dal motore alla guida della corda. (Fig. 13, Fig. 14)

### 5-4 ALTEZZA DI TAGLIO

Applicare una pressione verso l'esterno per sganciare la leva dal binario. Spostare la leva avanti o indietro per regolare l'altezza. (Fig. 15; vedere la clausola 8-8)

## 6. REGOLAZIONE DELL'ALTEZZA APPROPRIATA

- Tirare indietro la manopola di blocco che fissa l'impugnatura inferiore. (Fig. 16)
- Come indicato nella Fig. 17, muovere l'impugnatura inferiore in alto e in basso, regolandola all'altezza appropriata. Su questo tipo di rasaerba sono disponibili tre livelli di altezza: al livello 1, l'altezza dall'impugnatura inferiore al terreno è massima, al livello 3 è minima.
- Regolare l'altezza appropriata, quindi fissare l'impugnatura inferiore con le manopole di blocco.



**AVVERTENZA:** il lato destro e il lato sinistro dell'impugnatura inferiore devono essere regolati alla stessa altezza.

## 7. 2 IN 1

Questi rasaerba possono essere modificati rispetto alla loro normale funzione, in base alla finalità applicativa: Da rasaerba con scarico posteriore a rasaerba con pacciamatura.

Che cos'è la pacciamatura?

Durante la pacciamatura, l'erba viene tagliata in un singolo passaggio, quindi viene tritata finemente e riversata sulla striscia di terreno per essere utilizzata come fertilizzante naturale.



Suggerimenti per la rasatura con pacciamatura:

- Eseguire regolarmente un taglio di 2 cm al massimo, per un'altezza dell'erba da 6 cm a 4 cm.
- Utilizzare una lama di taglio affilata.
- Non utilizzare il rasoerba sull'erba bagnata.
- Impostare il regime massimo del motore.
- Procedere esclusivamente al normale ritmo di lavoro.
- Pulire regolarmente il cuneo di pacciamatura, i lati interni dell'alloggiamento e la lama di rasatura.

## UNO: Modifica per rasoerba con pacciamatura



**AVVERTENZA:** Eseguire l'operazione solo quando il motore è spento e la lama è ferma.

1. Sollevare il coperchio posteriore e rimuovere il sacco raccoglierba.
2. Spingere il cuneo di pacciamatura nel corpo della macchina. Bloccare il cuneo di pacciamatura utilizzando il pulsante nell'apertura del corpo. (Fig. 18, Fig. 19)
3. Abbassare nuovamente il coperchio posteriore.

## DUE: Rasatura con il sacco raccoglierba

1. Per la rasatura con il sacco raccoglierba, rimuovere il cuneo di pacciamatura e montare il sacco raccoglierba.
  2. Rimozione del cuneo di pacciamatura.
- Sollevare il coperchio posteriore e rimuovere il cuneo di pacciamatura.



**AVVERTENZA:** Eseguire l'operazione solo quando il motore è spento e la lama è ferma.

## 8. ISTRUZIONI PER L'USO

### 8-1 PRIMA DELLA MESSA IN FUNZIONE

Rifornire il motore di benzina e olio come indicato nel manuale del motore in dotazione con il rasoerba. Leggere attentamente le istruzioni.



**AVVERTENZA:** La benzina è altamente infiammabile.

Conservare il carburante in contenitori progettati specificamente per questo scopo.

Eseguire il rifornimento all'aperto, prima di avviare il motore, e non fumare durante il rifornimento o mentre si maneggia il carburante.

Non rimuovere il tappo del serbatoio di carburante e non aggiungere benzina mentre il motore è in funzione o se il motore è caldo.

In caso di fuoriuscite di benzina, non avviare il motore, ma allontanare la macchina dall'area della fuoriuscita ed evitare di creare fonti di accensione fino alla completa dissipazione dei vapori della benzina.

Riapplicare correttamente i tappi del serbatoio di carburante e del contenitore.

Prima di inclinare il rasoerba per eseguire la manutenzione della lama o per drenare l'olio, rimuovere il carburante dal serbatoio.



**AVVERTENZA:** Non riempire il serbatoio di carburante in ambienti chiusi, con il motore in funzione o se non sono trascorsi almeno 15 minuti dall'ultimo utilizzo per consentire il raffreddamento del motore.

### 8-2 AVVIAMENTO DEL MOTORE E INNESTO DELLA LAMA

1. L'unità è dotata di un mantice in gomma all'estremità della candela; assicurarsi che l'anello in metallo all'estremità del filo della candela (all'interno del mantice in gomma) sia serrato correttamente sulla punta in metallo della candela.
2. Premere la lampadina di adescamento da 3 a 5 volte prima di avviare il motore. (Fig. 20)
3. Per l'avviamento del motore a freddo, portare la leva dell'acceleratore e dello starter nella posizione "☁". Per l'avviamento del motore a caldo e durante l'uso, portare la leva dell'acceleratore e dello starter nella posizione "☁". (Fig. 21)
4. Rimanendo dietro l'unità, afferrare l'impugnatura di controllo dell'arresto e tenerla contro l'impugnatura superiore, come mostrato nella Fig. 22.
5. Afferrare l'impugnatura di avviamento come mostrato nella Fig. 22 e tirarla rapidamente. Riportarla lentamente verso il bullone della guida della corda dopo l'avviamento del motore. Rilasciare l'impugnatura di controllo dell'arresto per spegnere il motore e fermare la lama.



Avviare attentamente il motore, attenendosi alle istruzioni e tenendo i piedi a distanza dalla lama.



Non inclinare il rasoerba durante l'avviamento del motore. Avviare il rasoerba su una superficie in piano, in cui non vi siano erba alta e ostacoli.



Tenere mani e piedi lontano dalle parti in dotazione. Non avviare il motore rimanendo in piedi davanti all'apertura di scarico.

### 8-3 PROCEDURE D'USO

Durante l'uso, tenere saldamente l'impugnatura di controllo dell'arresto con entrambe le mani.



**Nota:** Durante l'uso, se si rilascia l'impugnatura di controllo dell'arresto il motore si spegne e il rasoerba smette di funzionare.



**AVVERTENZA!** Per evitare qualsiasi avviamento accidentale, il tosaerba è dotato di un freno del motore, che deve essere tirato indietro prima di poter avviare il motore. Quando la leva di comando del motore viene rilasciata, deve tornare sulla sua posizione iniziale e, a questo punto, il motore si spegne automaticamente.



**Nota:** Freno del motore (impugnatura del freno): Usare la leva per fermare il motore. Quando si rilascia la

leva, il motore e la lama si fermano automaticamente. Per rasare l'erba, tenere la leva sulla posizione di lavoro. Prima di cominciare a rasare l'erba, controllare diverse volte la leva di avviamento/arresto per accertarsi che funzioni correttamente. Accertarsi che la tensione del cavo ne permetta il funzionamento normale (e cioè che non sia in alcun modo impigliato o attorcigliato).

## 8-4 PER SPEGNERE IL MOTORE



**ATTENZIONE:** La lama continua a ruotare per qualche secondo dopo lo spegnimento del motore.

1. Rilasciare l'impugnatura di controllo dell'arresto per spegnere il motore e fermare la lama.
2. Per evitare l'avviamento accidentale dell'apparecchiatura incustodita, scollegare e collegare a terra il filo della candela, come indicato nel manuale del motore.

## 8-5 PER RISULTATI MIGLIORI DURANTE LA RASATURA

Eliminare eventuali detriti dal prato. Assicurarsi che sul prato non siano presenti pietre, bastoni, fili o altri corpi estranei che potrebbero essere accidentalmente scagliati dal rasaerba in qualsiasi direzione, causando gravi infortuni all'operatore e ad altre persone, nonché danni alle cose e agli oggetti circostanti. Non tagliare l'erba bagnata. Per una rasatura efficace, evitare di tagliare l'erba bagnata che tende ad aderire alla parte inferiore del corpo della macchina, impedendo una corretta rasatura dell'erba. Non tagliare l'erba per più di 1/3 della sua lunghezza.

La profondità di taglio consigliata per la rasatura è pari a 1/3 della lunghezza dell'erba. La velocità a terra deve essere regolata in modo che l'erba tagliata possa spargersi in modo uniforme sul prato. Per il taglio di erba particolarmente spessa potrebbe essere necessario utilizzare una delle velocità più basse per ottenere una rasatura corretta. Durante la rasatura di erba lunga, potrebbe essere necessario tagliare il prato in due passaggi, abbassando la lama di un altro terzo della lunghezza dell'erba per il secondo taglio e magari procedendo in una direzione diversa rispetto al primo taglio.

Sovrapporre leggermente il taglio ad ogni passaggio per ripulire eventuali frammenti rimasti sul prato. Il rasaerba deve essere sempre utilizzato alla massima accelerazione per ottenere il taglio migliore e consentire una rasatura efficace. Pulire la parte inferiore del corpo della macchina.

Pulire la parte inferiore del corpo di taglio dopo ogni utilizzo per evitare accumuli d'erba che impedirebbero una pacciamatura corretta.

Rasatura di foglie: Anche la rasatura delle foglie può risultare vantaggiosa per il prato. Durante questo tipo di rasatura, assicurarsi che le foglie siano asciutte e che lo strato sul prato non sia troppo spesso. Non attendere la caduta di tutte le foglie dagli alberi prima di eseguire la rasatura.



**AVVERTENZA:** Nel caso venisse colpito un corpo estraneo, spegnere il motore, staccare il filo dalla candela, ispezionare scrupolosamente il rasaerba alla ricerca di danni ed eventualmente riparare il danno prima di rimettere in funzione il rasaerba. Un'eccessiva vibrazione del rasaerba durante l'uso è indice di danni. L'unità deve essere prontamente ispezionata e riparata.

## 8-6 SACCO RACCOGLIERBA

Svuotare e pulire il sacco, assicurandosi che sia pulito e che la ventilazione non sia ostruita. (Fig. 23)

## 8-7 CORPO

Il lato inferiore del corpo del rasaerba deve essere pulito dopo ogni utilizzo per evitare l'accumulo di frammenti di erba, foglie, sporcizia e altri corpi estranei. Un accumulo di residui può portare alla ruggine e alla corrosione, impedendo una corretta pacciamatura. Il corpo può essere pulito inclinando il rasaerba e raschiando la parte con un utensile adatto (assicurarsi che il filo della candela sia scollegato).

## 8-8 ISTRUZIONI PER LA REGOLAZIONE IN ALTEZZA



**ATTENZIONE:** Non eseguire mai regolazioni sul rasaerba senza aver prima spento il motore e scollegato il filo della candela.



**ATTENZIONE:** Prima di cambiare l'altezza di rasatura, spegnere il rasaerba e scollegare il filo della candela. Il rasaerba è dotato di una leva di regolazione in altezza centrale che consente di impostare 5 posizioni di altezza.

1. Spegner il rasaerba e scollegare il filo della candela prima di cambiare l'altezza di taglio della macchina.
2. La leva di regolazione in altezza centrale consente di impostare 5 diverse posizioni di altezza.
3. Per cambiare l'altezza di taglio, premere la leva di regolazione verso la ruota, alzandola o abbassandola all'altezza desiderata (Fig. 24). Tutte le ruote assumeranno la stessa altezza di taglio.

## 9. ISTRUZIONI PER LA MANUTENZIONE

### CANDELA

Utilizzare solo candele originali per la sostituzione. Per i migliori risultati, sostituire la candele ogni 100 ore di funzionamento. (consultare il MANUALE DEL MOTORE)

### PASTIGLIE DEL FRENO

Far controllare e/o sostituire regolarmente le pastiglie del freno presso un Centro di Assistenza usando soltanto ricambi genuini.

## 10. ISTRUZIONI PER LA LUBRIFICAZIONE



**ATTENZIONE:** SCOLLEGARE LA CANDELA PRIMA DI ESEGUIRE LA MANUTENZIONE.

1. RUOTE - Lubrificare i cuscinetti a sfera di ogni ruota almeno una volta per stagione, utilizzando un olio leggero.
2. MOTORE - Attenersi alle istruzioni per la lubrificazione nel manuale del motore.
3. CONTROLLO DELL'ARRESTO - Lubrificare i perni sull'impugnatura di controllo dell'arresto e il relativo cavo almeno una volta per stagione, utilizzando un olio leggero. Il controllo dell'arresto deve operare liberamente in entrambe le direzioni.

## 11. PULIZIA



**ATTENZIONE:** Non lavare il motore. L'acqua può danneggiare il motore o contaminare l'impianto di combustione.

1. Pulire il corpo con un panno asciutto.
2. Lavare la parte inferiore del corpo inclinando il rasaerba in modo che la candela sia in alto.

### 11-1 FILTRO DELL'ARIA DEL MOTORE



**ATTENZIONE:** evitare che sporczia e polvere ostruiscano l'elemento in gommapiuma del filtro dell'aria.

Il filtro dell'aria del motore deve essere sottoposto a manutenzione (pulizia) ogni 25 ore di rasatura normale. L'elemento in gommapiuma deve essere sottoposto a manutenzione periodica se il rasaerba è utilizzato in ambienti asciutti molto polverosi (consultare il MANUALE DEL MOTORE).

### PER PULIRE IL FILTRO DELL'ARIA

1. PLM4120N: Sollevare le linguette nella parte superiore del coperchio del filtro.  
PLM4620N: Rimuovere la vite.
2. Rimuovere il coperchio.
3. Lavare l'elemento filtrante in acqua e sapone. **NON UTILIZZARE BENZINA.**
4. Lasciare asciugare all'aria l'elemento filtrante.
5. Versare alcune gocce di olio SAE30 sul filtro in gommapiuma e strizzarlo bene per rimuovere l'olio in eccesso.
6. Riapplicare il filtro.
7. Chiudere il coperchio del filtro.



**NOTA:** il filtro deve essere sostituito se è sfilacciato, lacerato, danneggiato o se non può essere pulito. (Fig. 25 per PLM4120N)

## 11-2 LAMA DI TAGLIO



**ATTENZIONE:** per evitare l'avvio accidentale del motore, staccare e collegare a terra il filo della candela prima di lavorare sulla lama di taglio. Proteggere le mani utilizzando guanti spessi o stracci per afferrare le lame di taglio.

Inclinare il rasaerba come specificato nel manuale del motore. Rimuovere il bullone esagonale e la rondella che fissano la lama e l'adattatore della lama all'albero a gomiti del motore. Rimuovere la lama e l'adattatore dall'albero a gomiti.



**AVVERTENZA:** ispezionare periodicamente l'adattatore della lama per ricercare eventuali crepe, in particolare se è stato colpito un corpo estraneo. Sostituire se necessario.

Per i migliori risultati la lama deve essere affilata. Per affilare la lama è possibile rimuoverla e molare o limare il tagliente mantenendo il più possibile la smussatura originale. È particolarmente importante che ogni tagliente riceva una molatura identica per evitare che la lama sia sbilanciata. Un'equilibratura errata della lama può comportare la comparsa di vibrazioni eccessive in grado di danneggiare il motore e il rasaerba. Bilanciare attentamente la lama dopo l'affilatura. L'equilibratura della lama può essere verificata bilanciandola su un cacciavite a manico rotondo. Rimuovere il metallo dal lato più pesante fino a ottenere l'equilibrio. (Fig. 26)

Prima di rimontare la lama e l'adattatore della lama sull'unità, lubrificare l'albero a gomiti del motore e la superficie interna dell'adattatore della lama con olio leggero. Montare l'adattatore della lama sull'albero a gomiti. Vedere la Fig. 26. Posizionare la lama con il numero di componente rivolto nella direzione opposta rispetto all'adattatore. Allineare la rondella alla lama e inserire il bullone esagonale. Serrare il bullone esagonale alla coppia elencata di seguito.

### 11-3 COPPIA DI MONTAGGIO DELLA LAMA

Il bullone centrale deve essere serrato a una coppia di 35 – 45 Nm. Per garantire un funzionamento sicuro dell'unità. È necessario controllare periodicamente TUTTI i dadi e i bulloni per verificare che siano serrati correttamente. A seguito di un uso prolungato, in particolare se il terreno è sabbioso, la lama si usura e perde la sua forma originale. L'efficienza di taglio si riduce ed è necessario sostituire la lama.

Eseguire la sostituzione solo con una lama approvata dalla fabbrica. Eventuali danni derivanti da una condizione di squilibrio della lama non potranno essere imputati al produttore.

Durante la sostituzione della lama, utilizzare il tipo originale indicato sulla lama stessa (MAKITA 263001433 per PLM4120N; MAKITA 263001451 per PLM4620N). Per ordinare la lama, rivolgersi al rivenditore di zona o contattare l'azienda.



**AVVERTENZA:** Non toccare le lame in rotazione.

## 11-4 MOTORE

Consultare il manuale del motore per ottenere le istruzioni sulla manutenzione del motore.

Eseguire la manutenzione dell'olio motore come indicato nel manuale del motore in dotazione con l'unità.

Leggere e rispettare attentamente le istruzioni.

In condizioni normali, eseguire la manutenzione del filtro dell'aria come indicato nel manuale del motore. Eseguire la pulizia ogni poche ore in ambienti particolarmente polverosi. La riduzione delle prestazioni del motore e l'ingolfamento solitamente indicano la necessità di procedere alla manutenzione del filtro dell'aria.


Per eseguire la manutenzione del filtro dell'aria, consultare il manuale del motore in dotazione con l'unità. Una volta per stagione è necessario pulire la candela e ripristinare il gap. Si consiglia di sostituire la candela all'inizio di ogni stagione di rasatura; consultare il manuale del motore per conoscere il tipo di candela necessario e le specifiche sul gap.

Pulire regolarmente il motore con un panno o un pennello. Mantenere pulito l'impianto di raffreddamento (area di alloggiamento del soffiante) per garantire la corretta ventilazione necessaria per le prestazioni e la durata del motore. Rimuovere tutta l'erba, la sporcizia e i residui combustibili dall'area della marmitta.

## 12. ISTRUZIONI PER LA CONSERVAZIONE (FUORI STAGIONE)

Eseguire le operazioni indicate di seguito per preparare il rasaerba prima di riportarlo.

1. Svuotare il serbatoio dopo l'ultima rasatura di stagione.
  - a) Svuotare il serbatoio della benzina con una pompa aspirante.
  - b) Avviare il motore e lasciarlo acceso fino a consumare tutta la benzina residua, facendolo entrare in stallo.
  - c) Staccare la candela. Versare da una lattina circa 20 ml d'olio nella camera di combustione. Azionare il motorino di avviamento per distribuire uniformemente l'olio nella camera di combustione. Sostituire la candela.
2. Pulire e ingrassare il rasaerba con attenzione, come descritto precedentemente nella sezione "ISTRUZIONI PER LA LUBRIFICAZIONE".
3. Ingrassare leggermente la lama per prevenire la corrosione.
4. Riporre il rasaerba in un luogo asciutto, pulito e al riparo dal gelo, fuori dalla portata di persone non autorizzate.

 **ATTENZIONE:** Prima di riporre il rasaerba, lasciar raffreddare completamente il motore.



### NOTA:

Durante la conservazione di qualsiasi tipo di apparecchiatura elettrica in un ambiente non ventilato o in una rimessa per materiali;

- Prendere le precauzioni necessarie per impedire la comparsa di ruggine sull'apparecchiatura. Rivestire l'apparecchiatura con un olio leggero o con del silicone, prestando particolare attenzione ai cavi e a tutte le parti in movimento.
- Evitare di piegare o attorcigliare i cavi.
- Se la corda di avviamento si stacca dalla guida della corda sull'impugnatura, scollegare e collegare a terra il filo della candela, premere l'impugnatura di controllo della lama ed estrarre lentamente la corda di avviamento dal motore. Inserire la corda di avviamento nel bullone della guida della corda sull'impugnatura.

### Trasporto

Spegnere il motore e lasciarlo raffreddare. Staccare poi il filo della candela e svuotare il serbatoio della benzina secondo le istruzioni del manuale del motore. Accertarsi di non deformare o danneggiare la lama quando si spinge il rasaerba sopra degli ostacoli.

### 13. RISOLUZIONE DEI PROBLEMI

PROBLEMA	CAUSA PROBABILE	INTERVENTO RISOLUTIVO
Il motore non si avvia.	La leva dell'acceleratore e dello starter non è in posizione corretta per le condizioni dominanti.	Spostare la leva dell'acceleratore e dello starter nella posizione corretta.
	Il serbatoio di carburante è vuoto.	Rifornire il serbatoio di carburante; consultare il MANUALE DEL MOTORE.
	Il filtro dell'aria è sporco.	Pulire il filtro dell'aria; consultare il MANUALE DEL MOTORE.
	La candela è allentata.	Serrare la candela a 25 - 30 Nm.
	Il filo della candela è allentato o scollegato dalla candela.	Collegare il filo della candela alla candele.
	Il gap della candela non è corretto.	Impostare il gap tra gli elettrodi su una distanza compresa tra 0,7 e 0,8 mm.
	La candela è difettosa.	Inserire una nuova candela con il gap corretto; consultare il MANUALE DEL MOTORE.
	Il carburatore è ingolfato dal carburante.	Rimuovere il filtro dell'aria e tirare la corda di avviamento in modo continuo fino a pulire il carburatore, quindi inserire nuovamente il filtro dell'aria.
Il motore si avvia con difficoltà o perde potenza.	Il modulo di accensione è difettoso.	Rivolgersi a un centro assistenza autorizzato Makita.
	Nel serbatoio di carburante sono presenti sporcizia, acqua o residui stantii.	Drenare il carburante e pulire il serbatoio. Riempire il serbatoio con carburante nuovo.
	L'apertura di ventilazione nel tappo del serbatoio di carburante è ostruita.	Pulire o sostituire il tappo del serbatoio di carburante.
Il motore funziona in modo incostante.	Il filtro dell'aria è sporco.	Pulire il filtro dell'aria.
	La candela è difettosa.	Inserire una nuova candela con il gap corretto; consultare il MANUALE DEL MOTORE.
	Il gap della candela non è corretto.	Impostare il gap tra gli elettrodi su una distanza compresa tra 0,7 e 0,8 mm.
Il minimo del motore è insufficiente.	Il filtro dell'aria è sporco.	Pulire il filtro dell'aria; consultare il MANUALE DEL MOTORE.
	Le aperture di ventilazione nel pannello del motore sono ostruite.	Rimuovere i residui dalle aperture.
	Le alette di raffreddamento e le aperture di ventilazione sotto l'alloggiamento del soffiante del motore sono bloccate.	Rimuovere i residui dalle alette di raffreddamento e dalle aperture di ventilazione.
Il motore salta a velocità elevate.	Il gap tra gli elettrodi della candela è troppo basso.	Impostare il gap tra gli elettrodi su una distanza compresa tra 0,7 e 0,8 mm.
Il motore si surriscalda.	Il flusso dell'aria di raffreddamento è limitato.	Rimuovere eventuali residui dalle aperture dei pannelli, dall'alloggiamento del soffiante e dalle aperture di ventilazione.
	La candela non è corretta.	Per il PLM4120N, installare una candela RC12YC o QC12YC e le alette di raffreddamento sul motore. Per il PLM4620N, installare una candela RJ19LMC con alette di raffreddamento sul motore.
Il rasaerba vibra in modo anomalo.	Il gruppo di taglio è allentato.	Serrare la lama.
	Il gruppo di taglio è sbilanciato.	Equilibrare la lama.

## 14. AMBIENTE

Se dopo un uso prolungato fosse necessario sostituire la macchina, non gettarla nei rifiuti domestici ma smaltirla in maniera ecocompatibile.

### **Solo per i paesi europei**

#### **Dichiarazione di conformità CE**

#### **Makita dichiara che le macchine seguenti:**

Denominazione dell'utensile:

Rasaerba con motore a benzina

N. modello/Tipo: PLM4120N, PLM4620N

Caratteristiche tecniche: vedere "4. DATI TECNICI"

#### **sono conformi alle seguenti direttive europee:**

2004/108/CE, 2006/42/CE, 2000/14/CE e 2005/88/CE

Sono fabbricate in conformità con le normative o documenti standardizzati seguenti:

EN ISO 5395-1, EN ISO 5395-2, EN ISO 14982

La documentazione tecnica conforme a 2006/42/CE è reperibile presso:

Makita, Jan-Baptist Vinkstraat 2, 3070, Belgio

La procedura di valutazione della conformità richiesta dalla Direttiva 2000/14/EC è stata effettuata secondo quanto specificato nell'allegato VI.

Ente competente:

TÜV SÜD Industrie Service GmbH

Westendstrasse 199, D-80686 München, Germania

Numero identificativo: 0036

PLM4120N

Livello di potenza sonora misurata: 93,4 dB

Livello di potenza sonora garantita: 96 dB

PLM4620N

Livello di potenza sonora misurato: 93,6 dB

Livello di potenza sonora garantito: 96 dB

22.8.2014



Yasushi Fukaya

Direttore

Makita, Jan-Baptist Vinkstraat 2, 3070, Belgio

**Verklaring van het onderdelenoverzicht**

- |                           |                           |                    |
|---------------------------|---------------------------|--------------------|
| 1. Bovenste handgreep     | 6. Grasopvangbak          | 11. Olietankdop    |
| 2. Stophandgreep          | 7. Maaihoogteregelhefboom | 12. Snoerklem      |
| 3. Gas-chokehendel        | 8. Maaidek                | 13. Vergrendelknop |
| 4. Handvat van startkoord | 9. Bougie                 | 14. Snel           |
| 5. Koordgeleider          | 10. Brandstoftankdop      | 15. Langzaam       |



**WAARSCHUWING**

Voor uw eigen veiligheid verzoeken wij u om deze gebruiksaanwijzing door te lezen voordat u uw nieuwe gereedschap gaat gebruiken. Als de aanwijzingen niet worden nageleefd kan dat leiden tot ernstig lichamelijk letsel. Besteed voor elk gebruik enige tijd om uzelf vertrouwd te maken met de grasmaaier. Bewaar deze gebruiksaanwijzing op een veilige plaats, om de nodige informatie steeds voorhanden te hebben. Als u dit apparaat overdraagt aan iemand anders, geef dan altijd ook deze gebruiksaanwijzing en veiligheidsvoorschriften er bij.

**Beoogde toepassingen**

Dit gereedschap mag alleen worden gebruikt voor de taken waarvoor het apparaat bestemd is. Enige andere toepassing wordt beschouwd als misbruik. De gebruiker/bedienend personeel, niet de fabrikant, wordt aansprakelijk gehouden voor enige schade of verwondingen die voortvloeien uit dergelijk misbruik. Deze grasmaaier met benzinemotor is bestemd voor particulier gebruik, d.w.z. gebruik in de directe omgeving van huis en tuin.

Particulier gebruik van de grasmaaier voorziet in een jaarlijkse gebruiksduur van gewoonlijk niet meer dan 50 uur, gedurende welke periode het apparaat voornamelijk wordt gebruikt voor het onderhouden van kleinschalige gazons van gewone woonhuizen en bijbehorende tuinen. Openbare faciliteiten, sportvelden en land- of bosbouwtoepassingen vallen hier niet onder. Houd er rekening mee dat onze apparatuur niet is ontworpen voor commerciële, handels- of industriële toepassingen. Onze garantie vervalt wanneer het apparaat wordt gebruikt voor commerciële, handels- of industriële toepassingen of soortgelijke doeleinden. De gebruiksaanwijzingen, zoals bijgeleverd door de fabrikant, moeten bewaard worden en moeten voor naslag worden gebruikt om erop toe te zien dat de grasmaaier juist worden gebruikt en onderhouden. De instructies bevatten belangrijke informatie voor de bediening, het onderhoud en eventuele reparaties. Belangrijk! Vanwege ernstig gevaar van lichamelijk letsel voor de gebruiker, mag de grasmaaier niet worden gebruikt voor het trimmen van bosjes, heggen of heesters, voor het snoeien van klimplanten, aanplant op daken of gras op balkons, voor het verwijderen (opzuigen) van vuil of gruis van trottoirs, of voor het kleinmaken van gekapte boomtakken of de afsnijdsels van een heg. Bovendien mag de grasmaaier niet worden gebruikt als grondbewerker voor het egaliseren van uitstekende bulten zoals molshopen.

Om veiligheidsredenen mag de grasmaaier niet worden gebruikt als aandrijfeenheid voor andere werktuigen of gereedschappen van enig type.

**1. SYMBOLEN DIE OP HET PRODUCT VERMELD STAAN (op de achterkap)**



Lees de gebruiksaanwijzing.



Houd omstanders uit de buurt.



Besteed als gebruiker extra aandacht aan handen en voeten om letsel te voorkomen.



Giftige dampen! Niet binnenshuis gebruiken.



Benzine is brandbaar, blijf uit de buurt van open vuur. Als de motor draait mag geen benzine worden bijgevuld.



Draag ter bescherming van de gebruiker tijdens het maaien een veiligheidsbril en gehoorbescherming.



Maak de bougiekabel los voordat u reparaties, zoals beschreven in de gebruiksaanwijzing, uitvoert.



Let op: Motor is heet.



Laat de stophandgreep los om de motor uit te schakelen.

## 2. ALGEMENE VEILIGHEIDSVOORSCHRIFTEN



**WAARSCHUWING:** Bij gebruik van gereedschap met een verbrandingsmotor moeten altijd de algemene veiligheidsvoorzorgingen worden opgevolgd om het risico van ernstig persoonlijk letsel en/of schade aan het gereedschap te verminderen.

Lees deze gebruiksaanwijzing voordat u deze grasmaaier gaat gebruiken en bewaar deze gebruiksaanwijzing om hem later te kunnen raadplegen.



**WAARSCHUWING:** Dit gereedschap produceert tijdens gebruik een elektromagnetisch veld. Onder bepaalde omstandigheden kan dit veld de werking van actieve of passieve medische implantaten hinderen. Om het risico van ernstig persoonlijk en fataal letsel te verminderen, adviseren wij personen met medische implantaten hun arts en de fabrikant van het implantaat te raadplegen alvorens dit gereedschap te bedienen.

### Aanwijzingen

- Lees de gebruiksaanwijzingen zorgvuldig. Zorg dat u vertrouwd bent met de bedieningsknoppen en de juiste omgang met het gereedschap. Leer hoe u de motor snel kunt stoppen.
- Gebruik de grasmaaier uitsluitend voor het doel waarvoor hij is ontworpen, d.w.z. voor het maaien en opvangen van gras. Al het andere gebruik kan gevaarlijk zijn en schade aan het gereedschap veroorzaken. Voorbeelden van verkeerde gebruik zijn onder andere:
  - het vervoeren van mensen, kinderen of dieren op het gereedschap;
  - zich laten vervoeren door het gereedschap;
  - het gereedschap gebruiken om ladingen te trekken of duwen;
  - het gereedschap gebruiken voor het verzamelen van bladeren of afval;
  - het gereedschap gebruiken om hagen te snoeien of om andere vegetatie dan gras te maaien;
  - het gebruik van het gereedschap door meer dan één persoon;
  - het maaiemes gebruiken op een andere ondergrond dan gras.
- Laat in geen geval kinderen of personen die deze gebruiksaanwijzing niet gelezen hebben de grasmaaier gebruiken. De leeftijd van de gebruiker kan landelijk gereguleerd zijn.
- Gebruik de grasmaaier nooit:
  - wanneer er personen, met name kinderen, of dieren in de buurt zijn;
  - wanneer de gebruiker medicijnen of andere middelen heeft gebruikt die zijn/haar reactiesnelheid of concentratie kunnen beïnvloeden.
- Denk eraan dat de bedienaar of gebruiker van de grasmaaier aansprakelijk is voor ongevallen en onvoorzien gebeurtenissen die personen of hun eigendommen kunnen overkomen.

- De gebruikers moeten terdege geoefend worden in het gebruik, de afstelling en de bediening van het apparaat, inclusief welke toepassingen verboden zijn.

### Vorbereidingen

- Draag tijdens het maaien altijd stevige schoenen en een lange broek. Gebruik de grasmaaier niet met blote voeten of met open sandalen.
- Inspecteer zorgvuldig het terrein waar het apparaat gebruikt gaat worden en verwijder alle voorwerpen, zoals stenen, speelgoed, stokken en stukken draad, die door de machine weggeslingerd kunnen worden.
- **WAARSCHUWING** - Benzine is bijzonder brandbaar.
  - bewaar benzine in speciaal daarvoor bestemde jerrycans;
  - vul alleen benzine bij in de open lucht en rook daarbij niet;
  - vul benzine bij voor het starten van de motor. Verwijder nooit de brandstoftankdop en vul nooit benzine bij terwijl de motor draait of wanneer de motor warm is;
  - als benzine wordt gemorst, mag u niet proberen de motor te starten, maar moet de grasmaaier worden verwijderd van de plaats waar de benzine gemorst is, en mag de motor niet worden gestart voordat de benzine verdampst is;
  - plaats de doppen stevig terug op de brandstoftank en jerrycan.
- Vervang defecte geluiddempers.
- Voer vóór gebruik altijd een visuele controle uit of het maaiemes, de mesbout of het maaiemechanisme versleten of beschadigd is. Vervang het versleten of beschadigd maaiemes en mesbout altijd samen, om onbalans te voorkomen.
- Controleer regelmatig of alle startblokkeringen en controlemechanismen voor de aanwezigheid van een gebruiker juist functioneren.

### Bediening

- Laat de verbrandingsmotor niet draaien in een gesloten ruimte waarin gevaarlijke koolmonoxidedampen zich kunnen ophopen.
- Gebruik het apparaat niet wanneer u moe of ziek bent of als u medicijnen of verdovende middelen hebt ingenomen.
- **Waarschuwing!** Gebruik de grasmaaier niet wanneer het onweert en er kans op blikseminslag bestaat.
- Het is aanbevolen om de gebruiksduur beperkt te houden, om zo min mogelijk risico van lawaai en trillingen te lopen.
- Wees zeer voorzichtig wanneer u de grasmaaier gebruikt op hellingen of bij steile randen, greppels of oevers.
- Werk alleen bij daglicht of bij goed kunstlicht.
- Gebruik de grasmaaier bij voorkeur niet wanneer het gras nat is.
- Zorg er op een helling altijd voor dat u stevig staat.
- Loop rustig, nooit te snel.
- Maai met cirkelmaaiers met wielen een helling altijd in de dwarsrichting en nooit van boven naar beneden.
- Ga altijd uiterst voorzichtig te werk bij het veranderen van richting op een helling.
- Maai niet op bijzonder steile hellingen.



- Pas goed op als u de grasmaaier achteruit laat rijden of naar u toe haalt.
- Het maaimes moet stilstaan wanneer de grasmaaier bij het vervoeren moet worden gekanteld, wanneer de grasmaaier over een oppervlak waar geen gras groeit moet worden verplaatst en bij het vervoer naar en van een te maaien gedeelte.
- Gebruik de grasmaaier nooit met defecte afschermingen of zonder veiligheidsvoorzieningen zoals een achterklep en/of grasopvangzak.
- Let op: De grasmaaier mag niet worden gebruikt zonder dat óf de volledige grasvanger, óf de zelfsluitende uitblaasopeningsbeveiliging op zijn plaats zit.
- Verander de regelafstellingen van de motor niet en laat het toerental van de motor niet buitengewoon hoog oplopen.
- Probeer niet om enige afstelling of aanpassing te maken in enig afgesloten mechanisme voor de motorsnelheidsregeling.
- De beveiligingssystemen en veiligheidsvoorzieningen van de grasmaaier mogen nooit worden uitgeschakeld of aangepast.
- Schakel het maaimes en de aandrijving uit voordat u de motor start.
- Start de motor zorgvuldig zoals aangegeven in de gebruiksaanwijzing en blijf met uw voeten steeds op voldoende afstand van het maaimes.
- Tijdens het starten van de motor mag de grasmaaier niet worden gekanteld.
- Start de motor niet als u voor het uitwerpkanaal staat.
- Kom niet met uw handen of voeten in de buurt van of onder draaiende delen. Blijf altijd uit de buurt van de uitwerpopening.
- De grasmaaier nooit optillen of dragen wanneer de motor loopt.
- Schakel de motor uit en maak de bougiekabel los, wacht tot de draaiende delen helemaal tot stilstand zijn gekomen en, indien aanwezig, verwijder de sleutel:
  - voordat u blokkeringen opheft of voordat u het uitwerpkanaal leegt;
  - voordat u de grasmaaier controleert, reinigt of er werkzaamheden aan gaat verrichten;
  - na het raken van een vreemd voorwerp. Controleer of de grasmaaier beschadigd is en laat deze indien nodig repareren voordat u de grasmaaier opnieuw gaat starten en gebruiken;
  - als de grasmaaier op ongebruikelijke manier begint te trillen (onmiddellijk controleren).
- Schakel de motor uit en maak de bougiekabel los, wacht tot de draaiende delen helemaal tot stilstand zijn gekomen en, indien aanwezig, verwijder de sleutel:
  - iedere keer als u de grasmaaier onbeheerd achterlaat;
  - voordat u brandstof bijvult.
- Zet de gashendel terug vóórdat u de motor uitschakelt en indien de motor is voorzien van een brandstofkraan, moet deze na het maaien worden dicht gezet.
- Gebruik de grasmaaier uitsluitend voor het doel waarvoor hij is ontworpen: voor het maaien en opvangen van gras. Al het andere gebruik kan gevaarlijk zijn en schade aan het gereedschap veroorzaken.

## Onderhoud en opslag

- Zorg ervoor dat alle bouten en de schroeven stevig vastgedraaid zijn om er zeker van te zijn dat het gereedschap altijd op een veilige manier gebruiksklaar is.
- Zet de grasmaaier niet met brandstof in de brandstoftank in een ruimte waar de brandstofdampen in aanraking kunnen komen met vlammen of vonken.
- Laat de motor afkoelen voordat u de grasmaaier opbergt in een gesloten ruimte. Maak de grasmaaier schoon en verricht het nodige onderhoud voordat u het apparaat opbergt.
- Om het brandgevaar zoveel mogelijk te beperken moet u de motor, de geluiddemper, de accubak en de brandstoftank vrijhouden van gras, bladeren of overtollig vet.
- Controleer regelmatig de grasopvangzak op slijtage en beschadigingen.
- Vervang veiligheidschulpe versleten of beschadigde delen.
- Als de brandstoftank moet worden geleegd, moet u dit in de open lucht doen.
- Onjuist onderhoud, gebruik van niet-passende vervangingsonderdelen, of het verwijderen of aanpassen van van veiligheidsvoorzieningen kan de grasmaaier beschadigen en de gebruikers ernstig verwonden.
- Gebruik alleen de aanbevolen maaibladeren en reserveonderdelen geleverd door de fabrikant. Het gebruik van niet-specifieke onderdelen kan de grasmaaier beschadigen en de gebruikers verwonden. Houd de grasmaaier steeds in goede werkconditie.
- Als de voorziening voor het stoppen van de maaibladeren niet goed werkt, neemt u dan a.u.b. contact op met een officiële onderhoudsdienst.

## Vervoeren en hanteren

- Wanneer het gereedschap moet worden gehanteerd, opgetild, vervoerd of gekanteld, moet u:
  - stevige werkhandschoenen dragen;
  - het gereedschap vastpakken op plaatsen die een goede houvast bieden, rekening houdend met het gewicht en de verdeling ervan;
  - gebruik een geschikt aantal mensen voor het gewicht van het gereedschap en de kenmerken van het voertuig of de plaats waar het moet worden gebracht of opgehaald.
- Tijdens vervoer moet het gereedschap stevig zijn vastgezet met touwen of kettingen.



**WAARSCHUWING:** Raak het draaiende maaimes niet aan.



**WAARSCHUWING:** Vul de brandstoftank bij in een goed geventileerde ruimte terwijl de motor is uitgeschakeld.

### 3. BESCHRIJVING VAN DE ONDERDELEN (zie afb. 1 en 2)

Bijgeleverd:

A: Bougiesleutel

B: Mulchinzet

### 4. TECHNISCHE GEGEVENS

Model	PLM4120N	PLM4620N
Motortype	B&S 500E-Serie	B&S 625E-Serie
Zelfaandrijving	Nee	Nee
Cilinderinhoud	140 cm <sup>3</sup>	190 cm <sup>3</sup>
Nominaal vermogen	1,9 kW	2,4 kW
Maaibreedte	410 mm	460 mm
Stationair toerental	2.800/min	2.800/min
Inhoud brandstoftank	0,8 liter	1,0 liter
Inhoud olietank	0,47 liter	0,6 liter
Capaciteit grasopvangzak	50 liter	60 liter
Nettogewicht	26,0 kg	31,1 kg
Maaihoogeteregeling	25 - 70 mm, 5 standen	25 - 70 mm, 5 standen
Gegarandeerd geluidsvermogeniveau op de plaats van de gebruiker (Volgens EN ISO 5395-1 Annex F en EN ISO 5395-2, EN ISO 4871)	84,6 dB (A) (K = 3 dB (A))	83,5 dB (A) (K = 3 dB (A))
Gemeten geluidsvermogeniveau	93,4 dB (A) K = 1,93 dB (A)	93,6 dB (A) K = 2,47 dB (A)
Gegarandeerd geluidsvermogeniveau (Volgens 2000/14/EU)	96 dB (A)	96 dB (A)
Trillingen (Volgens EN ISO 5395-1 Annex G en EN ISO 5395-2)	5,27 m/s <sup>2</sup> K = 1,5 m/s <sup>2</sup>	5,738 m/s <sup>2</sup> K = 1,5 m/s <sup>2</sup>

### 5. ONDERDELEN AANBRENGEN/ VERWIJDEREN

#### 5-1 DE INKLAPBARE HANDGREEP MONTEREN

- Bevestig het onderste gedeelte van de handgreep aan het chassis met twee paar bouten, de ring en de vergrendelknop, zoals afgebeeld (zie afb. 3 t/m 6).
- Klap de bovenste handgreep omhoog. Zet de bovenste handgreep op de onderste handgreep vast met de twee paar bouten, de ring en de vergrendelknop (zie afb. 7 t/m 9).
- Plaats alle snoeren op de buis van de handgrepen. Klem ze met de snoerklemmen vast in het midden van de onderste handgrepen, zodanig dat de snoeren aan de buitenkant van het gereedschap zijn bevestigd. De snoeren kunnen anders bekneld raken bij het openen/sluiten van de achterklep of uitgerekt worden bij het neerklappen van de bovenste handgreep (zie afb. 10).

#### 5-2 GRASOPVANGZAK MONTEREN/ DEMONTEREN

- Montage: Til de achterklep op en haak de grasopvangzak aan de achterkant van de grasmaaier (zie afb. 11 en 12).

- Demontage: Til de achterklep op en verwijder de grasopvangbak.

#### 5-3 Handvat van startkoord

Verplaats het handvat van het startkoord van de motor naar de koordgeleider. (zie afb. 13 en 14).

#### 5-4 MAAIHOOGTEREGELING

Duw de hefboom naar buiten om hem uit de huidige stand te halen. Beweeg de regelhefboom naar voren of achteren om de maaihoogete in te stellen (zie afb. 15 en de beschrijving bij punt 8-8).

### 6. DE BEDIENINGSHOOGTE INSTELLEN

- Draai de vergrendelknop los waarmee de onderste handgreep is bevestigd (zie afb. 16).
- Beweeg de onderste handgreep omhoog of omlaag om de gewenste bedieningshoogte in te stellen (zie afb. 17).

U kunt op deze grasmaaier kiezen uit 3 hoogtestanden: bij hoogtestand 1 is de afstand tussen de onderste handgreep en de grond het grootst, en bij hoogtestand 3 het kleinst.

- Stel de gewenste bedieningshoogte in en zet daarna de onderste handgreep vast met de vergrendelknoppen.



**WAARSCHUWING:** De linker- en rechterkant van de onderste handgreep moeten op dezelfde hoogtestand worden ingesteld.

## 7. 2-IN-1

Deze grasmaaier kan na aanschaf worden omgebouwd voor extra functies, afhankelijk van de gewenste toepassing:  
Vanaf een grasmaaier met achteruitwerp en mulchmaaier. Wat is mulchen?

Bij mulchen wordt het gras eerst gemaaid, vervolgens uiterst fijn versnipperd, en tenslotte in het gras teruggeblazen als natuurlijke meststof.

Tips voor mulchmaaien:

- Maai het gras regelmatig met maximaal 2 cm van 6 cm naar 4 cm grashoogte.
- Gebruik een scherp maaimes.
- Maai geen nat gras.
- Gebruik het maximale motortoerental.
- Duw de grasmaaier met een rustige werksnelheid.
- Maak regelmatig de mulchinzet, binnenkant van de behuizing en het maaimes schoon.

### EEN: ombouwen tot mulchmaaier



**WAARSCHUWING:** Alleen met een uitgeschakelde motor en stilstaand maaimes.

1. Til de achterklep op en verwijder de grasopvangzak.
2. Plaats de mulchinzet in het maaidek. Zet de mulchinzet vast met de knop in de opening van het maaidek (zie afb. 18 en 19).
3. Laat de achterklep weer zakken.

### TWEE: Maaien met de grasopvangbak

1. Voor maaien met de grasopvangzak verwijderd u de mulchinzet en monteert u de de grasopvangbak.
2. De mulchinzet verwijderen.
- Til de achterklep op en verwijder de mulchinzet.



**WAARSCHUWING:** Alleen met een uitgeschakelde motor en stilstaand maaimes.

## 8. BEDIENINGSINSTRUCTIES

### 8-1 VOOR DE MOTOR TE STARTEN

Vul de brandstoftank en olietank bij zoals aangegeven in de aparte gebruiksaanwijzing voor de motor, die bij de grasmaaier is geleverd. Lees de gebruiksaanwijzingen zorgvuldig.



**WAARSCHUWING:** Benzine is bijzonder brandbaar.  
Bewaar brandstof in speciaal daarvoor bestemde jerrycans.

Vul brandstof alleen bij in de open lucht en voordat de motor wordt gestart, en rook niet tijdens het bijvullen of hanteren van brandstof.

Verwijder nooit de brandstoftankdop en vul nooit benzine bij terwijl de motor draait of wanneer de motor warm is. Als brandstof is gemorst, mag u niet proberen de motor te starten, maar moet de grasmaaier worden verwijderd van de plaats waar de brandstof is gemorst, en mag de motor niet worden gestart voordat de brandstof verdampst is. Plaats de doppen stevig terug op de brandstoftank en jerrycan.

Voordat u de grasmaaier kantelt voor onderhoud van het maaimes of voor aftappen van de olie, moet u de brandstoftank volledig leegmaken.



**WAARSCHUWING:** In geen geval mag u brandstof bijvullen in een gebouw, terwijl de motor draait of als het afkoelen van de motor na draaien korter heeft geduurd dan 15 minuten.

### 8-2 DE MOTOR STARTEN EN HET MAAIMES INSCHAKELEN

1. Bij deze grasmaaier zit het uiteinde van de bougie en rubberen mof. Zorg ervoor dat de metalen huls aan het uiteinde van de bougiekabel (binnenin de rubberen mof) goed vastzit op de metalen elektrode van de bougie.
2. Druk de brandstofhandpomp 3 tot 5 keer in voordat u de motor start (zie afb. 20).
3. Bij het starten van een koude motor, moet u de gaschokehendel in de stand "☉" zetten. Bij het starten van een warme motor, moet u de gaschokehendel in de stand "☁" zetten (zie afb. 21).
4. U gaat achter het gereedschap staan, pakt de stophandgreep vast en houdt deze tegen de bovenste handgreep, zoals afgebeeld in afb. 22.
5. Pak het handvat van het startkoord vast, zoals afgebeeld in afb. 22, en trek het snel naar u toe. Plaats de handgreep na het starten van de motor rustig terug tegen de koordgeleider. Als u de stophandgreep loslaat, slaat de motor af en stopt het maaimes vanzelf.



Start de motor zorgvuldig zoals aangegeven in de gebruiksaanwijzing en blijf met uw voeten steeds op voldoende afstand van het maaimes.



Tijdens het starten van de motor mag de grasmaaier niet worden gekanteld. Start de grasmaaier op een vlakke ondergrond zonder hoog gras of obstakels.



Houd uw handen en voeten uit de buurt van draaiende delen. Start de motor niet als u voor de uitwerpopening staat.

## 8-3 TIJDENS HET GEBRUIK

Houd tijdens het gebruik de stophandgreep met beide handen stevig vast.



**Opmerking:** Als u tijdens het gebruik de stophandgreep loslaat, slaat de motor af waardoor de grasmaaier stopt.



**WAARSCHUWING!** Om te voorkomen dat de grasmaaier per ongeluk ingeschakeld kan worden, is het apparaat voorzien van een motorblokkering die u eerst terug moet trekken voordat de motor gestart kan worden. Wanneer u de motorregelhendel loslaat, moet die terugkeren naar de uitgangsstand, waarna de motor automatisch afslaat.



**Opmerking:** Motorblokkering (remhendel): Gebruik deze hendel om de motor te stoppen. Wanneer u de hendel loslaat, komen de motor en het maaiblad automatisch tot stilstand. Voor het maaien houdt u de hendel in de werkstand. Voordat u gaat maaien controleert u enkele malen zorgvuldig de start/stophendel om te zien of die naar behoren werkt. Zorgt u dat de spanningskabel soepel bediend kan worden (dus niet ergens geknikt is of vastloopt op enige manier).

## 8-4 DE MOTOR STOPPEN



**LET OP:** Het maaimes draait na het uitschakelen van de motor nog enkele seconden door.

1. Als u de stophandgreep loslaat, slaat de motor af en stopt het maaimes vanzelf.
2. Maak de bougiekabel los en aard deze zoals aangegeven in de aparte gebruiksaanwijzing voor de motor om per ongeluk starten te voorkomen als de grasmaaier onbeheerd achtergelaten wordt.



## 8-5 VOOR HET BESTE MAAIRESLAAT

Verwijder afval van het gazon. Zorg dat het gazon vrij is van stenen, stokken, draadstukken of andere vreemde voorwerpen die per ongeluk door de grasmaaier in alle richtingen weggeslingerd kunnen worden en niet alleen ernstig persoonlijk letsel voor de gebruiker of anderen, maar ook schade aan eigendommen en voorwerpen in de buurt tot gevolg kunnen hebben. Maai geen nat gras. Maaien gaat het best als het gras niet nat is omdat het anders aan de onderkant van het maaidek gaat plakken en daardoor het maaien wordt gehinderd. Maai niet meer dan 1/3 van de graslengte.

Voor maaien wordt aangeraden het gras 1/3 van de lengte korter te maaien. De voorwaartse snelheid moet zodanig aangepast worden dat het versnipperde gras gelijkmatig over het gazon wordt verdeeld. Speciaal tijdens het zwaar maaien van dik gras kan het nodig zijn om de laagste snelheid te gebruiken om de grassprietten schoon en goed te maaien. Als het gras langer is kunt u het gazon in twee fasen maaien door de maaihogte nog een keer met 1/3 van de graslengte te verlagen en misschien in een andere richting te maaien dan de eerste keer.

Door toepassing van een kleine overlapping op elk maaipad kunt u de eventueel op het gazon achtergebleven grassprietten opruimen. De motor moet altijd op het hoogste toerental draaien voor het beste maaieresultaat en om zo effectief mogelijk te maaien. Maak de onderkant van het maaidek schoon.

Zorg dat de onderkant van het maaidek na elk gebruik wordt schoongemaakt om ophoping van grasresten te voorkomen waardoor een goed mulchresultaat wordt gehinderd.

Bladeren maaien: Het maaien van bladeren kan uw gazon ten goede komen. Als u bladeren gaat maaien, moet u zorgen dat ze droog zijn en niet in een dikke laag op het gazon liggen. Wacht niet tot alle bladeren van de bomen zijn gevallen voordat u gaat maaien.



**WAARSCHUWING:** Schakel de motor uit na het raken van een vreemd voorwerp. Maak de bougiekabel los, controleer de grasmaaier grondig op beschadigingen en herstel de beschadiging voordat u de grasmaaier opnieuw gaat starten en gebruiken. Buitensporige trillingen in de grasmaaier kunnen op een beschadiging duiden. De grasmaaier moet onmiddellijk worden nagekeken en gerepareerd.

## 8-6 GRASOPVANGZAK

Maak de grasopvangzak leeg en schoon en zorg dat door het gaaswerk lucht kan passeren (zie afb. 23).

## 8-7 MAAIDEK

De onderkant van het maaidek moet na elk gebruik worden schoongemaakt om ophoping van grasresten, bladeren, vuil of anders te voorkomen. Als dit vuil kan ophopen, krijgen roest en corrosie vrij baan en zal goed mulchen niet mogelijk zijn. Het maaidek kan schoongemaakt worden door de grasmaaier te kantelen en schoon te schrapen met een toepasselijk gereedschap (zorg dat de bougiekabel is losgemaakt).

## 8-8 MAAIHOOGTEREGELING



**LET OP:** Verander in geen geval een instelling aan de grasmaaier zonder eerst de motor uit te schakelen en de bougiekabel los te maken.



**LET OP:** Voordat u de maaihogte verandert moet u eerst de motor uitschakelen en de bougiekabel losmaken. Uw grasmaaier heeft een centrale maaihogteregeling met 5 hoogtestanden.

1. Schakel de grasmaaier uit en maak de bougiekabel los voordat u de maaihogte verandert.
2. De centrale maaihogteregeling heeft 5 verschillende hoogtestanden.
3. De maaihogte verandert u door de regelhefboom naar het wiel te duwen en omhoog of omlaag te verplaatsen naar de gewenste maaihogtestand (zie afb. 24). Alle wielen staan ingesteld op dezelfde maaihogte.

## 9. ONDERHOUD

### BOUGIE

Gebruik voor vervanging alleen originele bougies. Het beste is om de bougie na 100 gebruiksuren te vervangen. (raadpleeg de GEBRUIKSAANWIJZING VOOR DE MOTOR)

### REMSCHOENEN

Laat de motorremschoenen regelmatig door een onderhoudsdienst controleren en/of vervangen; ter vervanging kunnen alleen originele onderdelen worden gebruikt.

## 10. SMERING



**LET OP:** MAAK DE BOUGIEKABEL LOS VOORDAT U ONDERHOUDSWERKZAAMHEDEN GAAT UITVOEREN.

1. WIELEN - Smeer de kogellagers in elk wiel minstens een keer per seizoen met lichte olie.
2. MOTOR - Volg de aanwijzingen voor het smeren in de gebruiksaanwijzing voor de motor op.
3. STOPHANDGREEP - Smeer de draaipunten van de stophandgreep en de kabel ervan minstens een keer per seizoen met lichte olie. De stophandgreep moet ongehinderd heen en weer kunnen bewegen.

## 11. SCHOONMAKEN



**LET OP:** Spuit geen water op de motor. Water kan schade toebrengen aan de motor en het brandstofsysteem vervuilen.

1. Veeg het maaidesk schoon met een droge doek.
2. Spuit de onderkant van het maaidesk schoon nadat de grasmaaier zodanig is gekanteld dat de bougie naar boven is gericht.

### 11-1 MOTORLUCHTFILTER



**LET OP:** Zorg dat vuil of stof het schuimrubberen filterelement niet kan verstopen.

Het motorluchtfilterelement moet worden onderhouden (schoongemaakt) na 25 uur normaal maaien. Het schuimrubberen filterelement moet regelmatig schoongemaakt worden wanneer de grasmaaier onder droge en stoffige omstandigheden wordt gebruikt. (Raadpleeg de GEBRUIKSAANWIJZING VOOR DE MOTOR.)

### LUCHTFILTER SCHOONMAKEN

1. Voor PLM4120N: Til de lippen bovenop de filterkap op. Voor PLM4620N: Verwijder de schroef.
2. Verwijder de bovenkap.
3. Was het filterelement met water en zeep. **GEBRUIK GEEN BENZINE!**
4. Droog het element in de open lucht.

5. Plaats een paar druppels SAE30-olie op het schuimrubberen filterelement en knijp het stevig samen om het overschot aan olie te verwijderen.
6. Plaats het filter terug.
7. Sluit het filterdeksel.



**OPMERKING:** Vervang het filter als het is gerafeld, gescheurd en beschadigd of het niet meer kan worden schoongemaakt (**zie afb. 25 voor PLM4120N**).

### 11-2 MAAIMES



**LET OP:** Maak de bougiekabel los en aard deze voordat u aan het maaimes gaat werken om per ongeluk starten te voorkomen. Bescherm uw handen door werkhandschoenen te dragen of een doek te gebruiken als u het maaimes vastpakt.

Kantel de grasmaaier zoals aangegeven in de aparte gebruiksaanwijzing voor de motor. Verwijder de zeskantbout en ring waarmee het maaimes en bijbehorende adapter op de uitgaande as van de motor zijn bevestigd. Verwijder het maaimes en de adapter vanaf de uitgaande as van de motor.



**WAARSCHUWING:** Controleer regelmatig de maaimesadapter op scheuren, vooral na het raken van een vreemd voorwerp. Vervang indien nodig. Voor het beste resultaat moet het maaimes scherp zijn. Het maaimes kan weer scherp worden gemaakt door het te verwijderen en de snijkant te slijpen of te vijlen, waarbij de originele snijhoek zo goed mogelijk gehandhaafd moet blijven. Het is uitermate belangrijk dat elke snijkant evenveel wordt geslepen om te voorkomen dat het maaimes in onbalans raakt. Een onjuiste balans van het maaimes veroorzaakt sterke trillingen dat weer kan leiden tot eventuele schade aan de motor en grasmaaier. Zorg dat het maaimes zorgvuldig uitgebalanceerd wordt na het slijpen. De balans van het maaimes kan worden gecontroleerd door het op de ronde steel van een schroevendraaier te balanceren. Verwijder een beetje materiaal van het zwaardere gedeelte totdat de balans weer is hersteld (**zie afb. 26**).

Voordat het maaimes en de adapter weer op de grasmaaier gemonteerd worden, smeert u de uitgaande as van de motor en de binnenkant van de maaimesadapter met een lichte olie. Monteer de maaimesadapter op de uitgaande as. Raadpleeg **afb. 26**. Monteer het maaimes met het onderdeelnummer afgekeerd van de adapter. Leg de ring op juiste wijze op het maaimes en steek de zeskantbout erdoor. Draai de zeskantbout vast met een draaikoppel, zoals hieronder aangegeven.

### 11-3 DRAAIKOPPEL VOOR MAAIMES

De centrale bout moet worden aangedraaid met een draaikoppel van 35 tot 45 Nm. Om veilig gebruik van uw grasmaaier zeker te stellen. Alle moeren en bouten moeten regelmatig nagekeken worden of ze nog goed vastzitten. Na langdurig gebruik, vooral op ondergronden met veel zand, zal het maaimes slijten en zijn

oorspronkelijke vorm verliezen. Het maaien gaat steeds slechter en het maaimes moet worden vervangen.

Vervang het alleen met een origineel MAKITA-vervangingsonderdeel. De fabrikant is niet verantwoordelijk voor eventuele schade die veroorzaakt wordt door de onbalans van het maaimes.

Bij vervanging van het maaimes moet u gebruikmaken een origineel vervangingsonderdeel waarvan het nummer is aangegeven op het maaimes (MAKITA 263001433 voor PLM4120N; MAKITA 263001451 voor PLM4620N) (het maaimes kunt u bestellen bij uw plaatselijke dealer of door telefonisch contact op te nemen met ons bedrijf).



**WAARSCHUWING:** Raak het draaiende maaimes niet aan.

## 11-4 MOTOR

Raadpleeg de aparte gebruiksaanwijzing voor de motor voor aanwijzingen met betrekking tot motoronderhoud. Behandel de motorolie zoals aangegeven in de aparte gebruiksaanwijzing voor de motor dat bij de grasmaaier is geleverd.

Lees en volg de instructies zorgvuldig.

Onderhoud onder normale omstandigheden het luchtfilter zoals aangegeven in de aparte gebruiksaanwijzing voor de motor. Bij zeer stoffige omstandigheden moet het steeds na enkele uren schoongemaakt worden. Slechte motorprestaties en het verzuipen van de motor zijn meestal aanwijzingen dat het luchtfilter onderhouden moet worden.

Raadpleeg de aparte gebruiksaanwijzing voor de motor die bij de grasmaaier is geleverd, voor het onderhoud van het luchtfilter.

Een keer per seizoen moet de bougie worden schoongemaakt en de elektrodenafstand opnieuw worden ingesteld. Het wordt aangeraden om aan het begin van elk maaiseizoen de bougie te vervangen. Raadpleeg de aparte gebruiksaanwijzing voor de motor voor het juiste bougietype en specificatie van de elektrodenafstand.

Maak de motor regelmatig schoon met een doek of borstel. Houd het koelsysteem (ventilatorbehuizing) schoon om een goede luchtcirculatie te realiseren die essentieel is voor het vermogen en de levensduur van de motor. Zorg dat al het gras, vuil en brandbare rommel rondom de geluiddemper is verwijderd.

## 12. OPBERGEN (BUITEN HET SEIZOEN)

De volgende stappen moet u nemen om de grasmaaier voor te bereiden om hem op te bergen.

1. Maak de brandstoftank leeg na de laatste maaibeurt van een seizoen.
  - a) Maak de brandstoftank leeg met een zuigpomp.



**LET OP:** Tap de benzine niet af in een afgesloten vertrek, in de buurt van open vuur, terwijl u rookt, enz. Benzinedampen kunnen een explosie of brand veroorzaken.

- b) Start de motor en laat deze draaien tot alle resterende benzine is opgebruikt en afslaat.

- c) Verwijder de bougie. Gebruik een oliekannetje om ongeveer 20 ml olie in de verbrandingskamer te gieten. Bedien de starter zodat de olie in de verbrandingskamer gelijkmatig wordt verdeeld. Plaats de bougie terug.
2. Reinig en smeer de grasmaaier zorgvuldig zoals hierboven beschreven onder "SMERING".
3. Smeer het maaimes licht in om roesten te voorkomen.
4. Berg de grasmaaier op in een droge, schone en vorstvrije ruimte, buiten het bereik van onbevoegde personen.



**LET OP:** De motor moet volledig afgekoeld zijn voordat u de grasmaaier mag opbergen.



**OPMERKING:**

- Bij opbergen van elk gereedschap met een verbrandingsmotor in een schuur die niet is geventileerd of waar materialen worden opgeslagen;
- Moet u zorgen dat het gereedschap tegen roest beschermd wordt. Smeer het gereedschap, met name de snoeren en alle bewegende delen, met een lichte olie of silicone.
  - Pas op dat u de snoeren niet buigt of knikt.
  - Als het startkoord is losgeschoten uit de koordgeleider op de handgreep, moet u de bougiekabel losmaken en aarden, de stophandgreep intrekken en het startkoord langzaam uit de motor trekken. Schuif het startkoord in de koordgeleider op de handgreep.

## Vervoer

Schakel de motor uit en wacht tot de motor afgekoeld is. Maak dan de bougiekabel los en leeg de brandstoftank volgens de instructies in de gebruiksaanwijzing voor de motor. Pas op dat het maaiblad niet wordt verbogen of anderszins beschadigd wanneer u de grasmaaier over obstakels heen duwt.

## 13. PROBLEMEN OPLOSSEN

PROBLEEM	MOGELIJKE OORZAAK	OPLOSSING
Motor start niet.	Gas-chokehendel staat gezien de huidige omstandigheden niet in de juiste stand.	Gas-chokehendel in de juiste stand zetten.
	Brandstoftank is leeg.	Vul de brandstoftank met brandstof: raadpleeg de GEBRUIKSAANWIJZING VOOR DE MOTOR.
	Luchtfilterelement is vuil.	Luchtfilterelement schoonmaken: raadpleeg de GEBRUIKSAANWIJZING VOOR DE MOTOR.
	Bougie zit los.	Bougie met een draaikoppel van 25 tot 30 Nm vastdraaien.
	Bougiekabel zit los of is losgeraakt van de bougie.	Bougiekabel op de bougie bevestigen.
	Elektrodenafstand van de bougie is niet correct.	Elektrodenafstand op 0,7 tot 0,8 mm instellen.
	Bougie is defect.	Nieuwe bougie met de juiste elektrodenafstand monteren: raadpleeg de GEBRUIKSAANWIJZING VOOR DE MOTOR.
	Carburateur is verzopen met benzine.	Luchtfilterelement verwijderen, voortdurend aan het startkoord trekken totdat de carburateur leeg is en daarna een nieuw luchtfilterelement plaatsen.
	Defecte ontstekingsmodule.	Contact opnemen met een erkend Makita-servicecentrum.
Motor is moeilijk te starten of verliest vermogen.	Vuil, water of oude brandstof in de brandstoftank.	Tap de brandstoftank af en reinig deze. Vul de brandstoftank met schone, nieuwe brandstof.
	Het ventilatiegatje in de brandstoftankdop zit verstopt.	Reinig of vervang de brandstoftankdop.
	Luchtfilterelement is vuil.	Luchtfilterelement schoonmaken.
Motor draait onregelmatig.	Bougie is defect.	Nieuwe bougie met de juiste elektrodenafstand plaatsen: raadpleeg de GEBRUIKSAANWIJZING VOOR DE MOTOR.
	Elektrodenafstand van de bougie is niet correct.	Elektrodenafstand op 0,7 tot 0,8 mm instellen.
	Luchtfilterelement is vuil.	Luchtfilterelement schoonmaken: raadpleeg de GEBRUIKSAANWIJZING VOOR DE MOTOR.
Motor draait slecht stationair.	Luchtfilterelement is vuil.	Luchtfilterelement schoonmaken: raadpleeg de GEBRUIKSAANWIJZING VOOR DE MOTOR.
	Luchtsleuven in de motorafdekking zijn verstopt.	Verwijder afval uit de ventilatiesleuven.
	Koelribben en luchtwegen onder de ventilatorbehuizing van de motor zijn verstopt.	Vuil van de koelribben en luchtwegen verwijderen.
Motor slaat over bij een hoog toerental.	Afstand tussen elektroden van de bougie is te klein.	Elektrodenafstand op 0,7 tot 0,8 mm instellen.
Oververhitte motor.	Koelluchtstroom geblokkeerd.	Alle vuil uit de sleuven van de motorafdekking, ventilatorbehuizing en luchtwegen verwijderen.
	Bougie verkeerd.	Voor de PLM4120N, installeert u de RC12YC of QC12YC bougie en koelvinnen op de motor. Voor de PLM4620N, monteert u de RJ19LMC-bougie en koelribben op de motor.
Grasmaaier trilt buitensporig.	Maaimes zit los.	Maaimes vastzetten.
	Maaimes is in onbalans.	Maaimes uitbalanceren.

## 14. MILIEU

Wanneer uw gereedschap na langdurig gebruik vervangen moet worden, moet u het niet bij het huisvuil zetten, maar moet u het op een milieuverantwoorde wijze verwerken.

### **Alleen voor Europese landen**

#### **EU-verklaring van conformiteit**

#### **Makita verklaart dat de volgende machine(s):**

Aanduiding van de machine:

Grasmaaier met benzinemotor

Modelnr./Type: PLM4120N en PLM4620N

Technische gegevens: Zie "4. TECHNISCHE

GEGEVENS"

#### **Voldoen aan de volgende Europese richtlijnen:**

2004/108/EU, 2006/42/EU, 2000/14/EU en 2005/88/  
EU

Deze zijn gefabriceerd in overeenstemming met de volgende normen of genormaliseerde documenten:

EN ISO 5395-1, EN ISO 5395-2, EN ISO14982

Het technische bestand volgens 2006/42/EG is verkrijgbaar bij:

Makita, Jan-Baptist Vinkstraat 2, 3070, België

De conformiteitsbeoordelingsprocedure vereist door Richtlijn 2000/14/EU was is Overeenstemming met annex VI.

Officiële instantie:

TÜV SÜD Industrie Service GmbH

Westendstrasse 199, D-80686 München, Duitsland

Identificatienummer: 0036

PLM4120N

Gemeten geluidsvermogeniveau: 93,4 dB

Gegarandeerd geluidsvermogeniveau: 96 dB

PLM4620N

Gemeten geluidsvermogeniveau: 93,6 dB

Gegarandeerd geluidsvermogeniveau: 96 dB

22.8.2014



Yasushi Fukaya  
Directeur

Makita, Jan-Baptist Vinkstraat 2, 3070, België



**Explicación de los dibujos**

- |                                   |                                |                            |
|-----------------------------------|--------------------------------|----------------------------|
| 1. Mango superior                 | 6. Recogedor de césped         | 11. Tapa de aceite         |
| 2. Mango de control de detención  | 7. Palanca de ajuste de altura | 12. Acoplamiento del cable |
| 3. Palanca de velocidad del motor | 8. Cubierta                    | 13. Pomo de bloqueo        |
| 4. Mango del motor de arranque    | 9. Bujía                       | 14. Velocidad rápida       |
| 5. Guía de la cuerda              | 10. Tapa de combustible        | 15. Velocidad lenta        |



**ADVERTENCIA**

Por su propia seguridad, por favor, lea este manual antes de intentar utilizar su nueva unidad. Si no sigue las instrucciones podrá resultar en heridas personales graves. Dedique unos momentos a familiarizarse con su cortadora de césped antes de cada utilización. Guarde este manual en un lugar seguro, de modo que la información esté disponible en todo momento. Si da el equipo a cualquier otra persona, entregue estas instrucciones de funcionamiento y también las normas de seguridad.

**Uso previsto**

El equipo puede ser utilizado solamente para manejar tareas para las que ha sido diseñado. Cualquier otra utilización será considerada como caso de uso indebido. El usuario/operario y no el fabricante será el responsable de cualquier daño o heridas de cualquier tipo ocasionados como resultado de esto.

La cortadora de césped a gasolina ha sido prevista para uso privado, es decir, para uso en entornos del hogar y jardinería.

El uso privado de la cortadora de césped se refiere a un tiempo de funcionamiento anual que no exceda el de 50 horas, tiempo durante el que la máquina será utilizada principalmente para el mantenimiento a pequeña escala del césped de residencias y jardines de casas o como pasatiempo. Las aplicaciones en instalaciones públicas, salas de deportes, y en agricultura/silvicultura están excluidas.

Le rogamos que tenga en cuenta que nuestro equipo no ha sido diseñado para ser utilizado en aplicaciones comerciales, de negocios o industriales. Nuestra garantía será anulada si la máquina es utilizada en actividades comerciales, de negocios o industriales o con propósitos análogos.

Las instrucciones de funcionamiento como las suministra el fabricante deben ser guardadas y consultadas para garantizar que la cortadora de césped es utilizada y mantenida debidamente. Las instrucciones contienen información valiosa sobre las condiciones de utilización, mantenimiento y servicio.

¡Importante! Debido al alto riesgo de que el usuario sufra heridas en el cuerpo, la cortadora de césped no deberá ser utilizada para recortar arbustos, setos o matorjos; para cortar vegetación a escala, azoteas plantadas, o hierba crecida en un balcón; para limpiar (succionar) suciedad y desechos en aceras, ni para trocear árboles o recortar setos. Además, la cortadora de césped no deberá ser utilizada como cultivadora a motor para nivelar áreas altas como toperas.

Por razones de seguridad, la cortadora de césped no deberá ser utilizada como unidad de impulsión para otras herramientas o juegos de herramientas de ningún tipo.

**1. SÍMBOLOS MARCADOS EN EL PRODUCTO (en la cubierta trasera)**



Lea el manual del operario.



Mantenga alejadas a las personas circundantes.



Preste más atención a las manos y los pies del operario para evitar lesiones.



Humos tóxicos; no la utilice en un espacio cerrado.



El combustible es inflamable, manténgalo alejado del fuego. No añada combustible con la máquina en funcionamiento.



Cuando corte, utilice gafas y tapones para los oídos para protegerse.



Durante las reparaciones, retire la bujía y realice las reparaciones de acuerdo con el manual de operaciones.



Precaución: Motor caliente.



Suelte el mango del interruptor para detener el motor.

## 2. NORMAS GENERALES DE SEGURIDAD



**ADVERTENCIA:** Cuando se utilicen herramientas a gasolina, siempre deben tomarse precauciones de seguridad para reducir el riesgo de lesiones personales graves y/o daños en la unidad. Lea todas las instrucciones antes de utilizar este producto y guárdelas para futuras consultas.



**ADVERTENCIA:** Esta máquina crea un campo electromagnético durante su funcionamiento. En ciertas circunstancias este campo puede interferir con implantes médicos activos o pasivos. Para reducir el riesgo de lesiones graves o fatales, se recomienda a las personas con implantes médicos que consulten con su doctor y el fabricante del implante médico antes de utilizar esta máquina.

### Formación

- Lea las instrucciones atentamente. Familiarícese con los controles y el uso correcto del equipo. Aprenda cómo detener el motor rápidamente.
- Utilice la cortadora de césped solamente con la finalidad para la que se diseñó, es decir, para cortar y recoger césped. Cualquier otro uso puede ser peligroso y puede provocar daños a la máquina. Entre los ejemplos de uso inadecuado se incluye:
  - transporte de personas, niños o animales en la máquina;
  - ser transportado por la máquina;
  - utilizar la máquina para remolcar o empujar cargas;
  - utilizar la máquina para recoger hojas o desechos;
  - utilizar la máquina para recortar setos o para cortar vegetación que no sea césped;
  - uso de la máquina por más de una persona;
  - utilizar la cuchilla en superficies que no sean césped.
- Nunca deje que los niños o personas que no estén familiarizadas con estas instrucciones utilicen la cortadora de césped. Las normas locales pueden restringir la edad del operario.
- Nunca utilice la cortadora de césped:
  - mientras haya cerca personas, especialmente niños, o animales;
  - si el operario ha tomado algún medicamento o alguna sustancia que pueda afectar a su capacidad de reacción y concentración.
- Tenga en cuenta que el operario o el usuario es responsable de los accidentes o situaciones de peligro que se produzcan para otras personas o su propiedad.
- Los operarios deben recibir capacitación apropiada en la utilización, el ajuste y el manejo de la máquina, incluyendo las operaciones prohibidas.

### Preparativos

- Mientras corte pasto, utilice calzado robusto y pantalones largos. No utilice el equipo cuando esté descalzo o calce sandalias abiertas.

- Inspeccione minuciosamente el área donde se va a utilizar el equipo y retire todos los objetos, como piedras, juguetes, palos y cables, que puedan ser lanzados por la máquina.
- **ADVERTENCIA-** La gasolina es muy inflamable.
  - almacene el combustible en contenedores diseñados específicamente para ese propósito;
  - reposte únicamente en exteriores y no fume durante el repostaje;
  - añada combustible antes de poner en marcha el motor. Nunca retire la tapa del depósito de combustible ni añada gasolina mientras el motor esté funcionando o cuando el motor esté caliente;
  - si se derrama gasolina, no intente poner en marcha el motor, aleje la máquina del área del derrame y no cree ninguna fuente de ignición hasta que se hayan disipado los vapores;
  - vuelva a colocar las tapas del depósito de combustible y del contenedor y fíjelas.
- Sustituya los silenciadores defectuosos.
- Antes del uso, inspeccione visualmente las cuchillas para asegurarse de que los pernos de la cuchilla o el conjunto del cortador no estén gastados o dañados. Sustituya los pernos y las cuchillas gastadas o dañadas en conjuntos para conservar el equilibrio.
- Compruebe regularmente para asegurarse de que todos los enclavamientos del arranque y los controles que requieren la presencia del operario están funcionando debidamente.

### Funcionamiento

- No haga funcionar el motor en un espacio cerrado en el que se puedan acumular los peligrosos vapores de monóxido de carbono.
- No utilice la máquina mientras esté cansado, enfermo o bajo la influencia de alcohol u otras drogas.
- ¡Advertencia! No utilice la cortadora de césped cuando haya riesgo de relámpagos.
- Se recomienda limitar la duración de la operación, para minimizar los riesgos derivados del ruido y la vibración.
- Tenga cuidado cuando utilice la cortadora de césped en pendientes y cerca de declives, zanjas o terraplenes.
- Corte el pasto solamente de día o con una buena luz artificial.
- No utilice el equipo con pasto húmedo cuando sea posible.
- Asegúrese siempre de que mantiene un buen equilibrio en pendientes.
- Camine, nunca corra.
- Para máquinas giratorias con ruedas, corte pasto de un lado a otro, nunca arriba y abajo.
- Tenga el máximo cuidado cuando cambie de dirección en pendientes.
- No corte pasto en pendientes con una inclinación excesiva.
- Tenga el máximo cuidado cuando invierta la marcha o tire de la cortadora de césped hacia usted.
- Detenga la cuchilla si la cortadora de césped debe inclinarse para su transporte cuando cruce superficies que no sean césped, y cuando la transporte desde y hacia el área en la que debe cortarse el césped.

- Nunca utilice la cortadora de césped con protecciones defectuosas o sin instalar dispositivos de seguridad, por ejemplo deflectores y/o recogedores de césped.
- Precaución: La cortadora de césped no deberá ser utilizada sin estar instalado el recogedor de césped entero o bien el protector de la abertura de descarga de cierre automático.
- No cambie los ajustes del regulador del motor ni lo haga funcionar a un régimen demasiado elevado.
- No altere ni manipule ningún control de velocidad del motor cuyo ajuste esté sellado.
- Los sistemas o características de seguridad de la cortadora de césped no deben ser manipulados ni inhabilitados.
- Desembrague todos los engranajes del motor y las cuchillas antes de poner en marcha el motor.
- Ponga en marcha el motor con cuidado, de acuerdo con las instrucciones, y mantenga los pies alejados de las cuchillas.
- No incline la cortadora de césped cuando ponga en marcha el motor.
- No ponga en marcha el motor cuando permanezca delante del transportador de salida.
- No coloque las manos o los pies cerca o debajo de las piezas que giran. Manténgase alojado de la abertura de salida en todo momento.
- Nunca alce o transporte la cortadora de césped mientras el motor esté en funcionamiento.
- Detenga el motor y desconecte el cable de la bujía, asegúrese de que todas las partes en movimiento se hayan detenido por completo y retire la llave si la hay:
  - antes de despejar atascos o desbloquear el conducto de salida;
  - antes de comprobar, limpiar o trabajar en la cortadora de césped;
  - después de golpear un objeto extraño. Compruebe si la cortadora de césped está dañada y realice las reparaciones antes de volver a poner en marcha la cortadora de césped y utilizarla;
  - si la cortadora de césped empieza a vibrar de modo anómalo (compruébela inmediatamente).
- Detenga el motor y desconecte el cable de la bujía, asegúrese de que todas las partes en movimiento se hayan detenido por completo y retire la llave si la hay:
  - cuando deje la cortadora de césped desatendida;
  - antes de repostar.
- Suelte el acelerador durante el apagado y, si el motor cuenta con una válvula de cierre, corte el combustible cuando acabe de cortar el pasto.
- Utilice la cortadora de césped solamente con la finalidad para la que se diseñó, para cortar y recoger césped. Cualquier otro uso puede ser peligroso y puede provocar daños a la máquina.

## Mantenimiento y almacenamiento

- Mantenga todas las tuercas, los pernos y los tornillos apretados para asegurarse de que el equipo está en un estado seguro de funcionamiento.
- Nunca almacene el equipo con gasolina en el depósito dentro de un edificio en el que los vapores puedan llegar a una llama o una chispa.
- Deje que el motor se enfríe antes de almacenar el equipo en un lugar cerrado; limpie y haga el

mantenimiento a la cortadora de césped antes de almacenarla.

- Para reducir el riesgo de incendio, mantenga el motor, el silenciador, el compartimento de la batería y el área de almacenamiento de gasolina libres de pasto, hojas o un exceso de grasa.
- Compruebe el recogedor de pasto frecuentemente en busca de desgastes o deterioros.
- Reemplace las piezas gastadas o dañadas por su seguridad.
- Si se debe purgar el depósito de combustible, debe realizarse al aire libre.
- Un mantenimiento incorrecto, la utilización de piezas de repuesto no homologadas, o la retirada o modificación de los componentes de seguridad pueden dañar la cortadora de césped y herir gravemente a los operarios.
- Utilice solamente las cuchillas y piezas de repuesto recomendadas por el fabricante. La utilización de piezas no genuinas puede dañar la máquina y herir a los operarios. Mantenga la cortadora de césped en buenas condiciones de trabajo.
- Si el dispositivo de parada de la cuchilla no funciona, póngase en contacto con el centro de servicio para que le ayuden.

## Transporte y manipulación

- Cuando la máquina se deba manipular, elevar, transportar o inclinar debe:
  - utilizar guantes de trabajo robustos;
  - sujetar la máquina por los puntos que ofrecen un agarre seguro, teniendo en cuenta el peso y su distribución;
  - utilizar un número adecuado de personas para el peso de la máquina y las características del vehículo o del lugar en el que se debe colocar o del que se debe recoger.
- Durante el transporte, asegure la máquina con cuerdas o cadenas.



**ADVERTENCIA:** No toque la cuchilla en movimiento.



**ADVERTENCIA:** Reposte en un área bien ventilada con el motor apagado.

## 3. DESCRIPCIÓN DE LAS PIEZAS (Fig. 1 y 2)

### Incluyendo

A: Llave para bujías

B: Cuña para mulching (acolchado)

## 4. DATOS TÉCNICOS

Modelo	PLM4120N	PLM4620N
Tipo de motor	Serie B&S 500E	Serie B&S 625E
Autopropulsado	No	No
Cilindrada del motor	140 cm <sup>3</sup>	190 cm <sup>3</sup>
Potencia nominal	1,9 kW	2,4 kW
Ancho de la cuchilla	410 mm	460 mm
Velocidad de ralentí	2.800/min	2.800/min
Capacidad del depósito de combustible	0,8 L	1,0 L
Capacidad del depósito de aceite	0,47 L	0,6 L
Capacidad del recogedor de césped	50 L	60 L
Peso neto	26,0 kg	31,1 kg
Ajuste de altura	25 – 70 mm, 5 ajustes	25 – 70 mm, 5 ajustes
Nivel de potencia sonora garantizado en la posición del operario (De acuerdo con EN ISO 5395-1 Anexo F y EN ISO 5395-2, EN ISO 4871)	84,6 dB (A) (K = 3 dB (A))	83,5 dB (A) (K = 3 dB (A))
Nivel de potencia sonora medido	93,4 dB (A) K = 1,93 dB (A)	93,6 dB (A) K = 2,47 dB (A)
Nivel de potencia sonora garantizado (De acuerdo con 2000/14/EC)	96 dB (A)	96 dB (A)
Vibración (De acuerdo con EN ISO 5395-1 Anexo G y EN ISO 5395-2)	5,27 m/s <sup>2</sup> K = 1,5 m/s <sup>2</sup>	5,738 m/s <sup>2</sup> K = 1,5 m/s <sup>2</sup>

## 5. MONTAJE

### 5-1 MONTAJE DEL MANGO DE PLEGADO

- Fije los manillares inferiores al chasis de la unidad con dos conjuntos de pernos, arandela y pomos de bloqueo, tal y como se muestra. (Fig. 3, Fig. 4, Fig. 5, Fig. 6)
- Suelte los manillares superiores para el plegado. Conecte el manillar superior y el manillar inferior con dos conjuntos de pernos, arandelas y pomos de bloqueo. (Fig. 7, Fig. 8, Fig. 9)
- Coloque todos los cables sobre los ejes del mango. Fíjelos alrededor de la parte media de los mangos inferiores mediante las abrazaderas de cables, de forma que los cables queden fijados a la parte exterior de la máquina. De lo contrario, los cables pueden pinzarse al abrir o cerrar la cubierta posterior o bien pueden quedar forzados al plegar el mango superior. (Fig. 10)

### 5-2 MONTAJE DEL RECOGEDOR DE CÉSPED

- Para montarlo: Levante la cubierta trasera y enganche el recogedor de césped a la parte posterior del eje de la cortadora de césped. (Fig. 11, Fig. 12)
- Para extraerlo: Sujete y levante la cubierta trasera y retire el recogedor de césped.

### 5-3 MANGO DEL MOTOR DE ARRANQUE

Mueva el mango del motor de arranque del motor a la guía de la cuerda. (Fig. 13, Fig. 14)

### 5-4 ALTURA DE CORTE

Ejerza una presión hacia fuera para desenganchar la palanca del bastidor. Mueva la palanca hacia delante o hacia atrás para ajustar la altura. (Fig. 15 y punto 8-8)

## 6. AJUSTE DE UNA ALTURA ADECUADA

- Afloje el pomo de bloqueo que fijaba el manillar inferior. (Fig. 16)
- Consulte la Fig. 17, suba y baje el mango inferior y ajústelo en la altura correcta. Se puede elegir entre 3 alturas de ajuste en este tipo de cortadora de césped; en la altura 1, la separación entre el mango inferior y el suelo es la máxima, en la altura 3 es la mínima.
- Ajuste la altura correcta y fije el mango inferior mediante los pomos de bloqueo.



**ADVERTENCIA:** El lado izquierdo y el lado derecho del mango inferior se deben ajustar en la misma altura.

## 7. 2 EN 1

Estas cortadoras de césped se pueden adaptar desde su función normal, dependiendo de la finalidad de la aplicación:

Desde cortadora de césped con descarga posterior y cortadora de mulching.

¿Qué es el mulching?

Cuando realice la operación de mulching, el césped se cortará en un paso y después se triturará en fragmentos

muy pequeños y se devolverá a la tira de césped como fertilizante natural.

Consejos para el corte de césped con mulching:

- Recorte normal con una altura máxima de césped de 2 cm, de césped de 6 cm a 4 cm.
- Use una cuchilla de corte afilada.
- No corte césped húmedo.
- Ajuste la velocidad de motor máxima.
- Desplácese solamente al paso de trabajo.
- Limpie regularmente la cuña para mulching, el lado interior del chasis y la cuchilla de corte de césped.

## UNO: Adaptación para la cortadora de mulching



**ADVERTENCIA:** Sólo con el motor detenido y la cortadora detenida por completo.

1. Levante la cubierta posterior y retire el recogedor de césped.
2. Empuje la cuña de mulching hacia la cubierta. Bloquee la cuña de mulching con el botón en la apertura de la cubierta. (Fig. 18, Fig. 19)
3. Vuelva a bajar la cubierta posterior.

## DOS: Corte de césped con recogedor de césped

1. Para cortar césped con el recogedor de césped, retire la cuña de mulching y monte el recogedor de césped.
  2. Extracción de la cuña de mulching.
- Levante la cubierta posterior y retire la cubierta de mulching.



**ADVERTENCIA:** Sólo con el motor detenido y la cortadora detenida por completo.

# 8. INSTRUCCIONES DE FUNCIONAMIENTO

## 8-1 ANTES DE EMPEZAR

Reposte gasolina y aceite en el motor tal y como se indica en el manual de instrucciones del motor que se incluye por separado con la cortadora de pasto. Lea las instrucciones atentamente.



**ADVERTENCIA:** La gasolina es muy inflamable. Almacene el combustible en contenedores diseñados específicamente para ese propósito.

Reposte solamente al aire libre, antes de poner en marcha el motor y no fume mientras reposta o manipula el combustible.

Nunca retire la tapa del depósito de combustible ni añada gasolina mientras el motor está funcionando o cuando el motor esté caliente.

Si se derrama gasolina, no intente poner en marcha el motor, aleje la máquina del área del derrame y no cree ninguna fuente de ignición hasta que se hayan disipado los vapores.

Vuelva a colocar las tapas del depósito de combustible y del contenedor y fíjelas.

Antes de inclinar la cortadora de césped para realizar el mantenimiento de la cuchilla o drenar el aceite, retire el combustible del depósito.



**ADVERTENCIA:** Nunca rellene el depósito de combustible en un recinto cerrado, con el motor funcionando o cuando el motor no se haya dejado enfriar durante 15 minutos como mínimo tras su uso.

## 8-2 PARA PONER EN MARCHA EL MOTOR Y ENGRANAR LA CUCHILLA

1. La unidad está equipada con un capuchón de goma sobre el extremo de la bujía, asegúrese de que el bucle metálico del cable de la bujía (dentro del capuchón de goma) esté fijado firmemente en la punta metálica de la bujía.
2. Pulse el bulbo cebador de 3 a 5 veces antes de poner en marcha el motor. (Fig. 20)
3. Cuando ponga en marcha el motor en frío, coloque la palanca de velocidad del motor a la posición "☁". Cuando ponga en marcha el motor en caliente y durante las operaciones, gire la palanca de velocidad del motor a la posición "☁☁". (Fig. 21)
4. Colóquese detrás de la unidad, agarre el mango de control y sujételo contra el mango superior, como se muestra en la Fig. 22.
5. Sujete el mango del motor de arranque como se muestra en la Fig. 22 y tire de él rápidamente. Devuélvalo lentamente al perno de guía de la cuerda después de que el motor se haya puesto en marcha. Suelte el mango de control de detención para detener el motor y la cuchilla.



Ponga en marcha el motor con cuidado de acuerdo con las instrucciones y mantenga los pies alejados de la cuchilla.



No incline la cortadora de césped cuando ponga en marcha el motor. Ponga en marcha la cortadora de pasto en una superficie plana, sin pasto alto ni obstáculos.



Mantenga las manos y los pies alejados de las partes giratorias. No ponga en marcha el motor cuando permanezca delante de la abertura de salida.

## 8-3 PROCEDIMIENTOS DE USO

Durante el uso, sujete firmemente el mango de control de detención con ambas manos.



**Nota:** Durante el uso, cuando se suelte el mango de control de detención, el motor se detendrá y, por lo tanto, se detendrá la cortadora de césped.



**ADVERTENCIA!** Para evitar cualquier arranque no deseado de la cortadora de césped, esta viene equipada con un freno del motor que debe ser empujado hacia atrás antes de poder arrancar el motor. Cuando la palanca de control del motor sea soltada deberá volver a

su posición inicial, punto en el que el motor se apaga automáticamente.



**Nota:** Freno del motor (mango del freno): Utilice la palanca para parar el motor. Cuando suelte la palanca el motor y la cuchilla se pararán automáticamente. Para segar, mantenga la palanca en posición de trabajo. Antes de comenzar a segar, compruebe la palanca de inicio/parada varias veces para asegurarse de que está funcionando debidamente. Asegúrese de que el cable de tensión se puede manejar suavemente (es decir, que no está enganchado o retorcido de ninguna forma).

## 8-4 PARA DETENER EL MOTOR



**PRECAUCIÓN:** La cuchilla sigue girando durante unos segundos después de apagar el motor.

1. Suelte el mango de control de detención para detener el motor y la cuchilla.
2. Desconecte y conecte a tierra el cable de la bujía tal y como se indica en el manual del motor para evitar la puesta en marcha accidental mientras el equipo está desatendido.

## 8-5 PARA OBTENER LOS MEJORES RESULTADOS DURANTE LA OPERACIÓN DE CORTE DE CÉSPED

Limpie el césped de escombros. Asegúrese de que el césped esté libre de piedras, palos, cables u otros objetos extraños que pudieran salir despedidos accidentalmente de la cortadora de césped a gasolina en cualquier dirección y que podrían provocar lesiones personales graves al operario y a terceros, así como a la propiedad y objetos circundantes. No corte césped húmedo. Para lograr una operación de corte de césped eficaz, no corte césped húmedo, ya que tiende a adherirse a la parte inferior de la cubierta, lo que impide una operación de corte de césped correcta del césped cortado. No corte más de 1/3 de la longitud del césped.

El corte recomendado para la operación de corte de césped es de 1/3 de la longitud del césped. La velocidad de desplazamiento se deberá ajustar para que el césped cortado se dispersa uniformemente sobre el terreno. Para los cortes especialmente pesados en césped grueso, puede ser necesario usar una de las velocidades más lentas para obtener un corte con la operación de corte de césped bien realizada. Cuando realice la operación de corte de césped sobre césped largo, quizás deba cortar el césped en dos pasadas, bajando la cuchilla otro 1/3 de la longitud para el segundo corte y quizás deba cortar en un patrón diferente del que se utilizó por primera vez. Un solapamiento ligero del corte en cada pasada también ayudará a eliminar los recortes de césped compactados que hayan quedado en el césped. La cortadora de césped a gasolina siempre se debe utilizar con el acelerador al máximo para obtener el mejor corte y permitir que se realice el trabajo de corte de césped más efectivo posible. Limpie la parte inferior de la cubierta. Asegúrese de limpiar la parte inferior de la cubierta de corte después de cada uso para evitar la acumulación de

césped, que impediría una operación de mulching correcta.

**Corte de hojas:** La operación de corte de hojas también puede ser beneficiosa para el césped. Cuando realice la operación de corte de hojas, asegúrese de que estén secas y que no estén apiladas a demasiada altura sobre el césped. No espere a que caigan todas las hojas de los árboles antes de realizar la operación de corte.



**ADVERTENCIA:** Si golpea un objeto extraño, detenga el motor. Retire el cable de la bujía, inspeccione detenidamente la cortadora de pasto en busca de daños y repárelos antes de volver a poner en marcha y usar la cortadora de pasto. Una vibración importante de la cortadora de pasto durante el uso es un indicador de daños. La unidad debe inspeccionarse y repararse inmediatamente.

## 8-6 RECOGEDOR DE PASTO

Vacíe y limpie la bolsa. Asegúrese de que esté limpia y de que su rejilla esté ventilada. (Fig. 23)

## 8-7 CUBIERTA

La parte inferior de la cubierta de la cortadora de pasto debe limpiarse después de cada uso para evitar la acumulación de pasto cortado, hojas, suciedad u otras materias. Si se permite la acumulación de residuos, se favorecerá la aparición de óxido y la corrosión y se puede impedir la realización correcta de mulching. Para limpiar la cubierta incline la cortadora de pasto y rasque la suciedad con una herramienta adecuada (asegúrese de que el cable de la bujía esté desconectado).

## 8-8 INSTRUCCIONES DE AJUSTE DE ALTURA



**PRECAUCIÓN:** No realice nunca ningún ajuste a la cortadora de pasto sin detener el motor primero y desconectar el cable de la bujía.



**PRECAUCIÓN:** Antes de cambiar la altura de corte, detenga la cortadora y desconecte el cable de la bujía. La cortadora de pasto está equipada con una palanca de ajuste de altura central que ofrece 5 posiciones de altura.

1. Detenga la cortadora de pasto y desconecte el cable de la bujía antes de cambiar la altura de corte de la cortadora.
2. La palanca central de ajuste de altura ofrece 5 posiciones de altura diferentes.
3. Para cambiar la altura de corte, apriete la palanca de ajuste hacia la rueda, subiendo o bajando hasta la altura seleccionada (Fig. 24). Todas las ruedas deben estar a la misma altura de corte.

## 9. INSTRUCCIONES DE MANTENIMIENTO

### BUJÍA

Utilice solamente bujías de recambio originales. Para lograr los mejores resultados, sustituya la bujía cada

100 horas de uso. (consulte el MANUAL DEL PROPIETARIO DEL MOTOR)

## PASTILLAS DE FRENO

Compruebe y sustituya regularmente las pastillas de freno del motor en un agente de servicio, para la sustitución solamente se pueden utilizar piezas originales.

## 10. INSTRUCCIONES DE LUBRICACIÓN



**PRECAUCIÓN:** DESCONECTE LA BUJÍA ANTES DE CUALQUIER TAREA DE MANTENIMIENTO.

1. RUEDAS-Lubrique los cojinetes de cada rueda, como mínimo una vez cada temporada, con un aceite ligero.
2. MOTOR-Siga las instrucciones de lubricación del manual del motor.
3. CONTROL DE DETENCIÓN-Lubrique los puntos de giro del mango de control de detención y su cable con aceite ligero como mínimo una vez cada temporada. El control de detención debe funcionar libremente en ambas direcciones.

## 11. LIMPIEZA



**PRECAUCIÓN:** No lave el motor con una manguera. El agua puede dañar el motor o contaminar el sistema de combustible.

1. Seque la cubierta con un paño seco.
2. Lave con una manguera debajo de la cubierta, inclinando la cortadora de césped a gasolina de forma que la bujía esté hacia arriba.

### 11-1 FILTRO DE AIRE DEL MOTOR



**PRECAUCIÓN:** No permita que el polvo o la suciedad obstruyan el elemento de espuma de filtro de aire.

El elemento de filtro de aire del motor debe revisarse (limpiarse) tras 25 horas de corte normal. El elemento de espuma debe revisarse regularmente si la cortadora de césped a gasolina se utiliza en condiciones de polvo en un ambiente seco. (consulte el MANUAL DEL PROPIETARIO DEL MOTOR)

### Para LIMPIAR EL FILTRO DEL AIRE

1. Para PLM4120N: Levante las lengüetas de la parte superior de la cubierta del filtro.  
Para PLM4620N: Retire el tornillo.
2. Retire la cubierta.
3. Lave el elemento de filtro con agua jabonosa. **¡NO UTILICE GASOLINA!**
4. Deje secar el elemento de filtro.
5. Ponga unas pocas gotas de aceite SAE30 en el filtro de espuma y apriételo bien para eliminar cualquier exceso de aceite.
6. Vuelva a instalar el filtro.

7. Cierre la tapa del filtro.



**NOTA:** Sustituya el filtro si está desgastado, rasgado, dañado o si no se puede limpiar. (**Fig. 25 para PLM4120N**)

### 11-2 CUCHILLA DE CORTE



**PRECAUCIÓN:** Asegúrese de desconectar el cable de la bujía y conectarlo a tierra antes de realizar trabajos en la cuchilla de corte para evitar la puesta en marcha accidental del motor. Proteja las manos usando guantes gruesos o un trapo para agarrar las cuchillas de corte.

Incline la cortadora de césped tal y como se indica en el manual del motor que se incluye por separado. Extraiga el perno hexagonal y la arandela que sujetan la cuchilla y el adaptador de la cuchilla al cigüeñal del motor. Retire la cuchilla y el adaptador del cigüeñal.



**ADVERTENCIA:** Inspeccione periódicamente el adaptador en busca de grietas, especialmente si ha golpeado un objeto extraño. Sustitúyalo cuando sea necesario.

Para lograr los mejores resultados, la cuchilla debe estar afilada. Para volver a afilar la cuchilla, quítela y afílela o límela manteniendo el borde de corte lo más parecido posible al bisel original. Es muy importante que cada borde de corte sea amolado por igual para evitar que la cuchilla esté desequilibrada. Un equilibrio incorrecto de la cuchilla provocará un exceso de vibración y daños al motor y la cortadora de césped a gasolina. Tenga cuidado de equilibrar la cuchilla tras volver a afilarla. Se puede probar el equilibrio de la cuchilla colocándola en equilibrio sobre el eje de un destornillador. Rebaje metal del lado pesado hasta que esté bien equilibrada. (**Fig. 26**) Antes de volver a montar la cuchilla y el adaptador de cuchilla en la unidad, lubrique el cigüeñal del motor y la superficie interior del adaptador de la cuchilla con aceite ligero. Instale la cuchilla y el adaptador del cigüeñal. Consulte la **Fig. 26**. Coloque la cuchilla con el número de pieza en el lado opuesto al adaptador. Alinee la arandela con la cuchilla e inserte el perno hexagonal. Apriete el perno hexagonal con el par de apriete que se indica más abajo.

### 11-3 PAR DE APRIETE DE MONTAJE DE LA CUCHILLA

El perno central debe apretarse con un par de apriete de 35 - 45 Nm. Para garantizar un uso seguro de la unidad. Debe comprobarse el correcto apriete de TODAS las tuercas y TODOS los pernos. Tras un uso prolongado, especialmente en condiciones de suelo arenoso, la cuchilla se gastará y perderá parte del afilado original. La eficacia del corte se verá reducida y la cuchilla se deberá sustituir.

Sustitúyala únicamente con una cuchilla de recambio aprobada de fábrica. Los posibles daños resultantes del estado de desequilibrio de la cuchilla no son responsabilidad del fabricante.



Cuando cambie la cuchilla, debe usar el tipo original marcado en ella (MAKITA 263001433 para PLM4120N; MAKITA 263001451 para PLM4620N) (para realizar el pedido de una cuchilla, póngase en contacto con su distribuidor local o llame a nuestra compañía).



**ADVERTENCIA:** No toque la cuchilla en movimiento.

## 11-4 MOTOR

Consulte las instrucciones de mantenimiento del motor en el manual del motor que se proporciona por separado. Mantenga el aceite del motor tal y como se indica en el manual del motor que se incluye por separado con su unidad.

Lea y siga las instrucciones atentamente.

Realice un mantenimiento del filtro de aire de acuerdo con el manual del motor que se proporciona por separado, bajo condiciones normales. Limpie cada pocas horas en condiciones de polvo extremo. Un mal rendimiento del motor y un ahogo del mismo suelen indicar que debería realizarse el mantenimiento del filtro del aire.

Para realizar el mantenimiento del filtro del aire, consulte el manual del motor que se proporciona con la unidad.

La bujía debe limpiarse y su holgura se debe reajustar una vez por temporada. Se recomienda sustituir la bujía al principio de cada temporada de corte de pasto; compruebe las especificaciones de holgura y el tipo correcto de bujía en el manual del motor.

Limpie el motor regularmente con un paño o un cepillo.

Mantenga el sistema de refrigeración (área de alojamiento del ventilador) limpio para permitir una correcta circulación del aire, que es esencial para el rendimiento y la duración del motor. Asegúrese de quitar todo el pasto, la suciedad y los restos de combustible del área del silenciador.

## 12. INSTRUCCIONES DE ALMACENAMIENTO (FUERA DE TEMPORADA)

Deben seguirse estos pasos para preparar la cortadora de césped para su almacenamiento.

1. Vacíe el depósito después de la última sesión de corte de césped.
  - a) Vacíe el depósito de combustible con una bomba de succión.



**PRECAUCIÓN:** No drene el combustible en habitaciones cerradas, cerca de fuego abierto, etc. ¡No fume! Los vapores del combustible pueden causar una explosión o un incendio.

- b) Ponga en marcha el motor y déjelo funcionando hasta que se haya agotado el combustible y se cale.
- c) Extraiga la bujía. Utilice una lata de aceite para llenar aprox. 20 ml de aceite en la cámara de combustión. Accione el motor de arranque para distribuir uniformemente el aceite en la cámara de combustión. Sustituya la bujía.

2. Limpie y engrase la cortadora de césped con cuidado tal y como se describe en "INSTRUCCIONES DE LUBRICACIÓN".
3. Engrase ligeramente la cuchilla para evitar la corrosión.
4. Almacene la cortadora de césped en un lugar seco, limpio y fuera del alcance de personas no autorizadas.



**PRECAUCIÓN:** El motor debe haberse enfriado por completo antes de almacenar la cortadora de césped.



### NOTA:

Cuando almacene cualquier tipo de equipo con motor en un recinto sin ventilar o de almacenamiento de material;

- Debe tener cuidado de proteger el equipo contra el óxido. Recubra el equipo, especialmente los cables y las piezas móviles, con aceite ligero o silicona.
- Tenga cuidado de no doblar o rizar los cables.
- Si la cuerda del motor de arranque se desconecta de la guía de cuerda del mango, desconecte el cable de la bujía y conéctelo a tierra, suelte el mango de control de la cuchilla y tire de la cuerda del motor de arranque ligeramente para extraerla del motor. Deslice la cuerda del motor de arranque en el perno de guía de la cuerda del mango.

## Transporte

Apague el motor y deje que se enfríe. Después desconecte el cable de la bujía y vacíe el depósito de combustible de acuerdo con las instrucciones en el manual del motor. Asegúrese de no doblar o dañar la cuchilla cuando empuje la cortadora de césped sobre obstáculos.



### 13. SOLUCIÓN DE PROBLEMAS

PROBLEMA	CAUSA PROBABLE	ACCIÓN CORRECTORA
El motor no se enciende.	El tope del acelerador no está en la posición correcta para las condiciones predominantes.	Mueva el tope del acelerador a la posición correcta.
	El depósito de combustible está vacío.	Llene el depósito con combustible: consulte el MANUAL DEL PROPIETARIO DEL MOTOR.
	El elemento de filtro de aire está sucio.	Limpie el elemento de filtro de aire: consulte el MANUAL DEL PROPIETARIO DEL MOTOR.
	Bujía floja.	Apriete la bujía a 25 - 30 Nm.
	Cable de la bujía flojo o desconectado de la bujía.	Coloque el cable de la bujía en la bujía.
	La holgura de la bujía es incorrecta.	Ajuste la holgura entre los electrodos entre 0,7 y 0,8 mm.
	La bujía es defectuosa.	Instale una bujía nueva y con la holgura correcta: consulte el MANUAL DEL PROPIETARIO DEL MOTOR.
	El carburador está inundado de combustible.	Retire el filtro de aire y tire de la correa del motor de arranque hasta que el carburador se limpie e instale el elemento de filtro.
	Módulo de ignición defectuoso.	Póngase en contacto con el servicio técnico autorizado de Makita.
El motor tiene dificultades para ponerse en marcha o pierde potencia.	El contenido del depósito de combustible está sucio, tiene agua o está caducado.	Drene el combustible y limpie el depósito. Llene el depósito con combustible nuevo y limpio.
	El orificio de ventilación del depósito de combustible está obstruido.	Limpie o sustituya la tapa del depósito de combustible.
	El elemento de filtro de aire está sucio.	Limpie el elemento de filtro de aire.
El motor funciona de forma errática.	La bujía es defectuosa.	Instale una bujía nueva y con la holgura correcta: consulte el MANUAL DEL PROPIETARIO DEL MOTOR.
	La holgura de la bujía es incorrecta.	Ajuste la holgura entre los electrodos entre 0,7 y 0,8 mm.
	El elemento de filtro de aire está sucio.	Limpie el elemento de filtro de aire: consulte el MANUAL DEL PROPIETARIO DEL MOTOR.
Bajo ralenti del motor.	El elemento de filtro de aire está sucio.	Limpie el elemento de filtro de aire: consulte el MANUAL DEL PROPIETARIO DEL MOTOR.
	Las ranuras de aire del compartimento del motor están bloqueadas.	Retire los desechos de las ranuras.
	Las aletas de ventilación y los conductos de aire debajo del alojamiento del ventilador del motor están bloqueados.	Retire los residuos de las aletas de ventilación y de los conductos de aire.
El motor da sacudidas a alta velocidad.	La holgura entre los electrodos de la bujía es demasiado estrecha.	Ajuste la holgura entre los electrodos entre 0,7 y 0,8 mm.
El motor se recalienta.	El flujo de aire de refrigeración está obstruido.	Retire cualquier residuo de las ranuras del alojamiento del ventilador y los conductos de aire.
	Bujía incorrecta.	Para PLM4120N, instale una bujía RC12YC o QC12YC y aletas de refrigeración en el motor. Para PLM4620N, instale una bujía RJ19LMC y aletas de refrigeración en el motor.
La cortadora vibra de forma anómala.	El conjunto de corte está suelto.	Apriete la cuchilla.
	El conjunto de corte está desequilibrado.	Equilibre la cuchilla.

## 14. ENTORNO

Si la máquina debe sustituirse tras un uso extensivo, no la deseche con los residuos domésticos, sino de una forma segura para el medioambiente.

### Sólo para los países europeos

#### Declaración de conformidad de la CE

#### Makita declara que la(s) máquina(s) siguiente(s):

Designación de la máquina:

Cortadora de Césped a Gasolina

Nº de modelo/ Tipo: PLM4120N, PLM4620N

Especificaciones: Consulte "4. DATOS TÉCNICOS"

#### Cumplen con las siguientes Directivas europeas:

2004/108/CE, 2006/42/CE, 2000/14/CE y 2005/88/CE

Están fabricadas de acuerdo con las normas o documentos normalizados siguientes:

EN ISO 5395-1, EN ISO 5395-2, EN ISO 14982

El archivo técnico de acuerdo con la norma 2006/42/CE está disponible en:

Makita, Jan-Baptist Vinkstraat 2, 3070, Bélgica

El procedimiento de evaluación de conformidad requerido por la Directiva 2000/14/CE se realizó de acuerdo con el anexo VI.

Organismo notificado:

TÜV SÜD Industrie Service GmbH

Westendstrasse 199, D-80686 München, Alemania

Número de identificación: 0036

PLM4120N

Nivel de potencia sonora medido: 93,4 dB

Nivel de potencia sonora garantizado: 96 dB

PLM4620N

Nivel de potencia sonora medido: 93,6 dB

Nivel de potencia sonora garantizado: 96 dB

22.8.2014



Yasushi Fukaya  
Director

Makita, Jan-Baptist Vinkstraat 2, 3070, Bélgica

## Descrição geral

- |                                |                                    |                          |
|--------------------------------|------------------------------------|--------------------------|
| 1. Pega superior               | 6. Colector de relva               | 11. Tampão de óleo       |
| 2. Pega de controlo de paragem | 7. Alavanca de regulação da altura | 12. Grampo do cabo       |
| 3. Alavanca do afogador        | 8. Carenagem                       | 13. Manípulo de bloqueio |
| 4. Pega do motor de arranque   | 9. Vela de ignição                 | 14. Velocidade alta      |
| 5. Guia do cabo                | 10. Tampão de combustível          | 15. Velocidade baixa     |



### AVISO

Para sua própria segurança, leia este manual antes de tentar utilizar a nova unidade. O não cumprimentos das instruções pode resultar em ferimentos pessoais graves. Gaste alguns momentos a familiarizar-se com o cortador de grama antes de cada utilização. Mantenha este manual num local seguro de forma a que as informações estejam sempre disponíveis. Se der o equipamento a qualquer outra pessoa, entregue estas instruções de funcionamento, bem como as normas de segurança.

### Utilização pretendida

O equipamento só pode ser utilizado para as tarefas para as quais foi concebido. Qualquer outro tipo de utilização é considerado um caso de má utilização. O utilizador/operador, e não o fabricante, será responsável por qualquer dano ou ferimentos de qualquer tipo provocados como resultado da mesma.

O cortador de grama a gasolina foi concebido para utilização privada, ou seja, para utilização em ambientes domésticos e de jardinagem.

A utilização privada do cortador de grama refere-se a um tempo de funcionamento anual que, geralmente, não excede as 50 horas, durante as quais a máquina é principalmente utilizada para manter relvados residenciais de pequena escala e jardins domésticos/de tempos livres. As aplicações em instalação públicas, zonas desportivas e agricultura/silvicultura estão excluídas.

Tenha em conta que os nossos equipamentos não foram concebidos para utilização em aplicações comerciais, de negócio ou industriais. A nossa garantia será anulada se a máquina for utilizada em aplicações comerciais, de negócio ou industriais ou para fins equivalentes.

As instruções de funcionamento tal como são fornecidas pelo fabricante têm de ser guardadas e observadas como referência para garantir que o cortador de grama é utilizado e mantido de forma adequada. As instruções contêm informações importantes sobre as condições de funcionamento, manutenção e assistência técnica. Importante! Devido ao elevado risco de ferimentos pessoais para o utilizador, o cortador de grama não pode ser utilizado para podar arbustos, sebes ou plantas, para cortar vegetação escalada, telhados com vegetação ou relva em varandas, para limpar (aspirar) sujidade e resíduos de passeios ou para desfazer resíduos de árvores ou sebes. Além disso, o cortador de grama não pode ser utilizado como cultivador elétrico para nivelar áreas elevadas, como os montículos de terra deixados pelas toupeiras.

Por razões de segurança, o cortador de grama não pode ser utilizado como unidade de transporte de outras

ferramentas de trabalho ou kits de ferramentas de qualquer tipo.

## 1. SÍMBOLOS MARCADOS NO PRODUTO (na tampa traseira)



Leia o Manual de utilizador.



Mantenha as pessoas afastadas.



Preste mais atenção às mãos e pés do utilizador para evitar ferimentos.



Fumos tóxicos; Não utilizar dentro de casa.



O combustível é inflamável, mantenha-o afastado do fogo. Não abasteça combustível com a máquina em funcionamento.



Quando transportar, use os óculos e tampões para os ouvidos para proteger o próprio utilizador.



Quando reparar, retire a vela de ignição, de seguida, repare-a de acordo com o manual de operações.



Precaução: Motor quente.



Solte a pega do interruptor para desligar o motor.

## 2. REGRAS GERAIS DE SEGURANÇA



**AVISO:** Quando utilizar ferramentas a gasolina, devem ser sempre cumpridas as precauções de segurança básicas, incluindo as que se seguem, de forma a reduzir o risco de ferimentos pessoais graves e/ou danos na unidade.

Leia todas as instruções antes de utilizar este produto e guarde estas instruções para referência futura.



**AVISO:** Esta máquina produz um campo electromagnético durante o funcionamento. Em certas circunstâncias, este campo pode interferir com implantes médicos activos ou passivos. Para reduzir o risco de ferimentos graves ou fatais, é aconselhável que as pessoas com implantes médicos consultem o seu médico e o fabricante do implante antes de utilizar esta máquina.

### Formação

- Leia atentamente as instruções. Familiarize-se com os controlos e a utilização adequada do equipamento. Aprenda a parar rapidamente o motor.
- Utilize apenas o cortador de grama para a finalidade para a qual foi concebido, cortar e recolher relva. Qualquer outra finalidade pode ser perigosa, causando danos na máquina. Exemplos de utilização incorrecta podem incluir, mas não estão limitados a:
  - transporte de pessoas, crianças ou animais na máquina;
  - ser transportado pela máquina;
  - utilização da máquina para rebocar ou empurrar cargas;
  - utilização da máquina para a recolha de folhas ou resíduos;
  - utilização da máquina para aparar sebes ou para cortar vegetação que não relva;
  - utilização da máquina por mais de uma pessoa;
  - utilização da lâminas em superfícies que não relva.
- Nunca permita que crianças ou pessoas não familiarizadas com estas instruções utilizem o cortador de grama. As regulamentações locais podem restringir a idade do operador.
- Nunca utilize o cortador de grama:
  - quando pessoas, especialmente, crianças ou animais estão por perto;
  - se o operador tiver tomar medicamentos ou substâncias que podem afectar a capacidade de reagir e concentrar-se.
- Lembre-se que o operador ou o utilizador é responsável pelos acidentes ou perigos que ocorrem a outras pessoas ou à sua propriedade.
- Os operadores têm de receber formação adequada sobre a utilização, ajuste e funcionamento da máquina, incluindo as operações proibidas.

### Preparação

- Durante o corte, use sempre calçado adequado e calças longas. Não utilize o equipamento descalço ou usando sandálias abertas.

- Inspeccione profundamente a área em que vai utilizar o equipamento e retire todos os objetos, como pedras, brinquedos, paus e fios que possam ser arremessados pela máquina.
- AVISO- A gasolina é altamente inflamável.
  - guarde o combustível em recipientes especificamente concebidos para esta finalidade;
  - apenas abasteça no exterior e não fume durante o abastecimento;
  - abasteça de combustível antes de ligar o motor. Nunca retire o tampão do depósito de combustível ou abasteça de combustível enquanto o motor está em funcionamento ou quando o motor está quente;
  - se a gasolina for derramada, não tente ligar o motor, afaste a máquina da área de derrame e evite criar qualquer fonte de ignição até os vapores de gasolina se dissiparem;
  - substitua com segurança todos os tampões de depósito de combustível e de recipientes.
- Substitua os silenciadores avariados.
- Antes de utilizar, inspeccione sempre visualmente para se certificar de que as lâminas, parafusos das lâminas e o conjunto do cortador não estão gastos ou danificados. Substitua as lâminas e parafusos gastos e danificados por conjuntos para preservar o equilíbrio.
- Verifique regularmente para garantir que todos os controlos de interbloqueios de arranque e aqueles que exigem a presença do operador estão a funcionar corretamente.

### Funcionamento

- Não ligue o motor num espaço reduzido onde fumos de monóxido de carbono perigosos podem acumular-se.
- Não utilize a máquina quando estiver cansado, doente ou sob a influência do álcool e outros drogas.
- Advertência! Não utilize o cortador de grama quando há risco de trovoadas.
- Recomenda-se a limitação da duração do funcionamento para minimizar os riscos de ruído e vibração.
- Tenha cuidado quando utilizar o cortador de grama em planos inclinados e junto de declives, taludes ou valas.
- Corte a relva apenas durante o dia ou com uma boa luz artificial.
- Evite operar o equipamento na relva molhada, quando possível.
- Certifique-se de que tem sempre um bom apoio de pés nos declives.
- Caminhe, nunca corra.
- Para máquinas com rodas, corte a relva nos declives na transversal, nunca para cima e para baixo.
- Tenha muito cuidado quando mudar de direcção nos declives.
- Não corte a relva em declives com uma inclinação excessiva.
- Tenha muito cuidado quando recuar ou puxar o cortador de grama na sua direcção.
- Pare a(s) lâmina(s) se o cortador de grama tiver de ser inclinado para transporte quando atravessar superfícies que não relva e quando transportar o cortador de grama de e para a área a cortar.

- Nunca opere o cortador de grama com protecções defeituosas ou sem dispositivos de segurança, por exemplo, deflectores e/ou colectores de relva, em posição.
- Precaução: O cortador de grama não deve ser utilizado sem ter o coletor de relva completo ou o resguardo da abertura de descarga de fecho automático instalado no lugar.
- Não altere as definições do regulador do motor nem utilize demasiadamente o motor.
- Não altere nem modifique com qualquer ajuste vedado para o controlo de velocidade do motor.
- Os sistemas de segurança ou as funcionalidades do cortador de grama não devem ser modificados nem desativados.
- Desengrene todas as embraiagens da lâmina e da transmissão antes de ligar o motor.
- Ligue cuidadosamente o motor de acordo com as instruções e com os pés afastados da(s) lâmina(s).
- Não incline o cortador de grama quando liga o motor.
- Não ligue o motor quando se encontrar em frente ao canal de escoamento.
- Não coloque as mãos ou os pés perto ou debaixo das peças rotativas. Mantenha-se sempre afastado da abertura de descarga.
- Nunca desloque ou transporte um cortador de grama com o motor em funcionamento.
- Pare o motor e desligue o fio da vela de ignição, certifique-se de que todas as peças móveis pararam por completo e retire a chave do seu local:
  - antes de eliminar bloqueios ou desentupir o canal de escoamento;
  - antes de verificar, limpar ou efectuar reparações no cortador de grama;
  - após bater num objecto estranho. Inspeccione o cortador de grama por danos e efectue reparações antes de ligar e operar novamente o cortador de grama;
  - se o cortador de grama começar a vibrar de forma estranha (verifique imediatamente).
- Pare o motor e desligue o fio da vela de ignição, certifique-se de que todas as peças móveis pararam por completo e retire a chave do seu local:
  - sempre que abandonar o cortador de grama;
  - antes de abastecer com combustível.
- Reduza a definição do acelerador durante a paragem do motor e, se o motor estiver equipado com uma válvula de corte, desligue o combustível no final do corte.
- Utilize apenas o cortador de grama para a finalidade para a qual foi concebido, cortar e recolher relva. Qualquer outra finalidade pode ser perigosa, causando danos na máquina.
- Para reduzir os perigos de incêndio, mantenha a área de armazenamento do motor, silenciador, compartimento da bateria e gasolina isenta de relva, folhas ou massa lubrificante excessiva.
- Verifique frequentemente o coletor de relva por desgaste e deterioração.
- Por razões de segurança, substitua as peças gastas ou danificadas.
- Se o depósito de combustível tiver de ser drenado, isto pode executado no exterior.
- Uma manutenção inadequada, a utilização de componentes de substituição que não estejam em conformidade com os recomendados ou a remoção ou modificação dos componentes de segurança podem danificar o cortador de grama e ferir gravemente o operador.
- Utilize apenas as lâminas e as peças de substituição recomendadas pelo fabricante. A utilização de peças não-genuínas pode danificar a máquina e ferir os operadores. Mantenha o cortador de grama em boas condições de trabalho.
- Se o dispositivo de paragem da lâmina não funcionar, contacte o centro de assistência para obter ajuda.

### Transporte e manuseamento

- Sempre que a máquina for utilizada, levantada, transportada ou inclinada, tem de:
  - usar luvas de trabalho robustas;
  - agarrar a máquina nos pontos que oferecem um agarre seguro, tendo em conta o peso e a distribuição;
  - utilizar um número adequado de pessoas para o peso da máquina e as características do veículo ou do local onde vai ser colocada ou recolhida.
- Durante o transporte, fixe bem a máquina com cordas ou correntes.



**AVISO:** Não toque na lâmina rotativa.



**AVISO:** Abasteça com combustível numa área bem ventilada com o motor desligado.

## 3. DESCRIÇÃO DAS PEÇAS (Fig. 1 e 2)

### Incluindo

- A: Chave de vela de ignição
- B: Barra de “mulching”

### Manutenção e armazenamento

- Mantenha todas as porcas e parafusos apertados para se certificar de que o equipamento se encontra em bom estado.
- Nunca guarde o equipamento com gasolina no depósito dentro de um edifício onde os fumos possam alcançar chamas livres ou faíscas.
- Deixe o motor arrefecer antes de guardar em qualquer zona cercada; Limpe e mantenha o cortador de grama antes de armazenar.

## 4. DADOS TÉCNICOS

Modelo	PLM4120N	PLM4620N
Tipo de motor	Série 500E B&S	Série 625E B&S
Auto-propulsor	Não	Não
Deslocamento do motor	140 cm <sup>3</sup>	190 cm <sup>3</sup>
Potência nominal	1,9 kW	2,4 kW
Largura da lâmina	410 mm	460 mm
Velocidade do ralenti	2.800/min	2.800/min
Capacidade depósito combustível	0,8L	1,0L
Capacidade do depósito de óleo	0,47L	0,6L
Capacidade do saco de recolha de relva	50L	60L
Peso líquido	26,0 kg	31,1 kg
Regulação da altura	25 - 70 mm, 5 regulações	25 - 70 mm, 5 regulações
Nível garantido de potência sonora na posição do operador (De acordo com a EN ISO 5395-1 Anexo F e as EN ISO 5395-2, EN ISO 4871)	84,6 dB (A) (K = 3 dB (A))	83,5 dB (A) (K = 3 dB (A))
Nível medido de potência sonora	93,4 dB (A) K = 1,93 dB (A)	93,6 dB (A) K = 2,47 dB (A)
Nível garantido de potência sonora (De acordo com a 2000/14/CE)	96 dB (A)	96 dB (A)
Vibração (De acordo com a EN ISO 5395-1 Anexo G e a EN ISO 5395-2)	5,27 m/s <sup>2</sup> K = 1,5 m/s <sup>2</sup>	5,738 m/s <sup>2</sup> K = 1,5 m/s <sup>2</sup>

## 5. MONTAGEM

### 5-1 MONTAR A PEGA REBATÍVEL

- Fixe as barras inferiores ao corpo da unidade com dois conjuntos de parafuso, anilha e manípulo de bloqueio, conforme mostrado. (Fig. 3, Fig. 4, Fig. 5, Fig. 6)
- Solte as barras superiores para rebater. Ligue a barra superior e a barra inferior com os dois conjuntos de parafuso, anilha e manípulo de bloqueio. (Fig. 7, Fig. 8, Fig. 9)
- Posicione todos os cabos sobre os veios da pega. Fixe-os em torno do centro das pegas inferiores através dos grampos dos cabos de modo a que os cabos estejam fixos na parte exterior da máquina. Caso contrário, os cabos podem ser trilhados pela abertura/fecho da tampa traseira ou forçados devido ao rebatimento da pega superior. (Fig. 10)

### 5-2 MONTAR O COLECTOR DE RELVA

- Para instalar: Levante a tampa traseira e engate o colector de relva na veio parte traseira do cortador de grama. (Fig. 11, Fig. 12)
- Para retirar: Agarre e levante a tampa traseira, retire o colector de relva.

### 5-3 PEGA DO MOTOR DE ARRANQUE

Desloque a pega do motor de arranque do motor para o guia do cabo. (Fig. 13, Fig. 14)

### 5-4 ALTURA DO CORTE

Aplique pressão para fora para desengatar a alavanca da armação. Desloque a alavanca para a frente ou para trás para ajustar a altura. (Fig. 15 e consulte a cláusula 8-8)

## 6. REGULAÇÃO PARA UMA ALTURA ADEQUADA

- Retire o manípulo de bloqueio que fixou a barra inferior. (Fig. 16)
- Consulte a Fig. 17, desloque a pega inferior para cima e para baixo, ajuste-a à altura adequada. Existem 3 regulações de altura a escolher neste tipo de cortador de grama; a altura 1, pega inferior para baixo é a mais alta, a altura 3 é a mais baixa.
- Ajustar à altura adequada, de seguida, fixe a pega inferior através dos manípulos de bloqueio.



**AVISO:** O lado esquerdo e direito da pega inferior têm de ser ajustados à mesma altura.

## 7. 2 EM 1

Estes cortadores de grama podem ser modificados, com base na finalidade da aplicação:

De cortador de grama com descarga traseira e cortador de "mulching".

O que é o "mulching"?

Quando fizer o "mulching", a relva é cortada numa só passagem, de seguida, é cortada finamente e devolvida à faixa de relva como um fertilizante natural.

Conselhos para o corte "mulching":

- Redução normal de 2 cm, no máximo, altura da relva de 6 cm para 4 cm.
- Utilize uma faca de corte afiada.
- Não corte relva molhada.
- Defina a velocidade máxima do motor.
- Desloque-se apenas ao ritmo de trabalho.

- Limpe regularmente a barra de “mulching”, lado interior da estrutura e lâmina de corte.

## UM: Modificar para cortador de “mulching”



**AVISO:** Apenas com um motor desligado e cortador parado.

1. Levante a tampa traseira e retire o colector de relva.
2. Introduza a barra de “mulching” na carenagem. Bloquee a barra de “mulching” com o botão na abertura na carenagem. (Fig. 18, Fig. 19)
3. Baixe novamente a tampa traseira.

## DOIS: Cortar relva com o colector de relva

1. Para cortar com o colector de relva, retire a barra de “mulching” e instale o colector de relva.
  2. Retirar a cunha de “mulching”.
- Levante a tampa traseira e retire a cunha de “mulching”.



**AVISO:** Apenas com um motor desligado e cortador parado.

## 8. INSTRUÇÕES DE FUNCIONAMENTO

### 8-1 ANTES DA UTILIZAÇÃO

Faça a manutenção do motor com gasolina e óleo conforme indicado no manual do motor separado e embalado com o corta-relva. Leia atentamente as instruções.



**AVISO:** A gasolina é altamente inflamável. Guarde o combustível em recipientes especificamente concebidos para esta finalidade.

Apenas abasteça no exterior, antes de ligar o motor e não fume durante o abastecimento ou manuseamento de combustível.

Nunca retire o tampão do depósito de combustível ou abasteça de combustível enquanto o motor está em funcionamento ou quando o motor está quente.

Se a gasolina for derramada, não tente ligar o motor, afaste a máquina da área de derrame e evite criar qualquer fonte de ignição até os vapores de gasolina se dissiparem.

Substitua com segurança todos os tampões de depósitos de combustível e de recipientes.

Antes de virar o cortador de grama para fazer a manutenção da lâmina ou drenar óleo, retire combustível do depósito.



**AVISO:** Nunca abasteça o depósito de combustível no interior, com o motor em funcionamento ou antes do motor ter arrefecido durante, no mínimo, 15 minutos após a utilização.

### 8-2 PARA LIGAR O MOTOR E ENGATE A LÂMINA

1. A unidade está equipada com uma tampa de borracha sobre a extremidade da vela de ignição, certifique-se de que o aro metálico na extremidade do fio da vela de ignição (no interior da tampa de borracha) está bem apertado na ponta de metal na vela de ignição.
2. Prima o botão de escorvamento 3-5 vezes antes de ligar o motor. (Fig. 20)
3. Quando ligar um motor frio, rode a alavanca do afogador para a posição “☁”. Quando ligar um motor quente e utilizá-lo, rode a alavanca do afogador para a posição “☀”. (Fig. 21)
4. Coloque-se atrás da unidade, agarre a pega de controlo de paragem e segure-a contra a pega superior como mostrado na Fig. 22.
5. Agarre a pega do motor de arranque como mostrado Fig. 22 e puxe-a rapidamente para cima. Regresse-a lentamente ao parafuso do guia do cabo após o arranque do motor. Solte a pega de controlo de paragem para desligar o motor e a lâmina.



Ligue cuidadosamente o motor de acordo com as instruções e com os pés afastados da lâmina.



Não incline o cortador de grama quando liga o motor. Ligue o corta-relva numa superfície nivelada, isenta de relva alta e obstáculos.



Afaste as mãos e os pés das peças em movimento. Não ligue o motor quando se encontrar em frente à abertura de descarga.

### 8-3 PROCEDIMENTOS DE FUNCIONAMENTO

Durante o funcionamento, segure bem a pega de controlo de paragem com ambas as mãos.



**Nota:** Durante o funcionamento, quando a pega de controlo de paragem é solta, o motor irá desligar-se fazendo com que o cortador de grama pare de funcionar.



**AVISO!** Para evitar arranques não intencionais do cortador de grama, este vem equipado com um travão do motor que tem de ser puxado para trás antes de ser possível pôr o motor a funcionar. Quando a alavanca de controlo do motor é libertada, ela tem de voltar à sua posição inicial, momento em que o motor se desliga automaticamente.



**Nota:** Travão do motor (pega do travão): Utilize a alavanca para parar o motor. Quando libertar a alavanca, o motor e a lâmina param automaticamente. Para cortar, mantenha a alavanca na posição de trabalho. Antes de começar a cortar, verifique várias vezes a alavanca de arranque/paragem para se certificar de que está a funcionar corretamente. Certifique-se de que o cabo de tensão pode ser operado suavemente (ou seja, não fica preso nem está dobrado de qualquer forma).

## 8-4 PARA DESLIGAR O MOTOR



**PRECAUÇÃO:** A lâmina continua a rodar durante alguns segundos após o motor ser desligado.

1. Solte a pega de controlo de paragem para desligar o motor e a lâmina.
2. Desligue e ligue o fio da vela de ignição à terra conforme indicado no manual do motor separado para evitar arranques acidentais quando o equipamento não é supervisionado.

## 8-5 PARA OBTER OS MELHORES RESULTADOS AO EFECTUAR O CORTE DA RELVA

Elimine os detritos da relva. Certifique-se de que a relva está isenta de pedras, paus, cabos ou outros objectos estranhos que podem ser acidentalmente projectados pelo cortador de grama, em qualquer direcção, e causar ferimentos pessoais graves no utilizador e outras pessoas, assim como danos na propriedade e nos objectos envolventes. Não corte relva molhada. Para um corte de relva eficaz, não corte relva molhada porque esta tende a aderir ao lado inferior da carenagem, evitando um corte de relva adequado das aparas da relva. Não corte mais do que 1/3 do comprimento da relva.

O corte recomendado para o corte de relva é 1/3 do comprimento da relva. A velocidade terá de ser ajustada para que as aparas possam ser dispersas uniformemente na relva. Para um corte particularmente duro na relva espessa, pode ser necessário usar uma das velocidades mais lentas de modo a obter um corte de relva bem efectuado. Quando efectuar o corte de relva na relva longa, pode ter que cortar a relva em duas passagens, baixando a lâmina mais 1/3 do comprimento para o segundo corte e talvez cortando num padrão diferente do padrão utilizado pela primeira vez.

Sobrepôr um pouco o corte em cada passagem fará com que tenha de limpar quaisquer aparas na relva. O cortador de grama deve ser sempre utilizado à velocidade máxima para obter o melhor corte e permitir a realização de um corte de relva mais eficaz. Limpe a parte inferior da carenagem.

Certifique-se de que limpa a parte inferior da carenagem de corte após cada utilização para evitar uma acumulação de relva, o que resultaria num mau "mulching".

Cortar folhas: O corte de folhas também pode ser benéfico para a sua relva. Quando efectuar o corte de folhas, certifique-se de que estas estão secas e não são demasiado espessas. Não aguarde que todas as folhas caiam das árvores antes de efectuar o corte.



**AVISO:** Se colidir contra um objecto estranho, desligue o motor. Retire o fio da vela de ignição, inspeccione minuciosamente o corta-relva por quaisquer danos e repare os danos antes de reiniciar e utilizar o corta-relva. A vibração excessiva do corta-relva durante o funcionamento é uma indicação de danos. A unidade deve ser inspeccionada e reparada imediatamente.

## 8-6 COLECTOR DE RELVA

Esvazie e limpe o saco, certifique-se de que está limpo e de que a rede está ventilada. (Fig. 23)

## 8-7 CARENAGEM

A parte inferior da carenagem do corta-relva deve ser limpa após cada utilização para evitar uma acumulação de aparas de relva, folhas, sujidade ou outras substâncias. Se permitir a acumulação destes detritos, irá provocar ferrugem e corrosão e pode impedir a realização de um "mulching" adequado. A carenagem pode ser limpa inclinando o corta-relva e raspando com uma ferramenta adequada (certifique-se de que o fio da vela de ignição está desligado).

## 8-8 INSTRUÇÕES PARA REGULAÇÃO DA ALTURA



**PRECAUÇÃO:** Não efectue, de modo algum, quaisquer regulações no corta-relva sem primeiro desligar o motor e o fio da vela de ignição.



**PRECAUÇÃO:** Antes de alterar a altura de corte, desligue o corta-relva e o cabo da vela de ignição. O corta-relva está equipado com uma alavanca central de regulação da altura que oferece 5 posições de altura.

1. Desligue o corta-relva e o cabo da vela de ignição antes de alterar a altura de corte do corta-relva.
2. A alavanca central de regulação da altura oferece-lhe 5 posições de altura diferentes.
3. Para alterar a altura de corte, aperte a alavanca reguladora na direcção da roda, deslocando para cima ou para baixo para a altura pretendida (Fig. 24). Todas as rodas estarão à mesma altura de corte.

## 9. INSTRUÇÕES DE MANUTENÇÃO

### VELA DE IGNIÇÃO

Utilize apenas velas de ignição de reposição originais. Para obter os melhores resultados, substitua a vela de ignição a cada 100 horas de utilização. (consulte MANUAL DO PROPRIETÁRIO DO MOTOR)

### PASTILHAS DO TRAVÃO

Verifique e/ou substitua regulamente as pastilhas do travão do motor num agente de assistência técnica; só podem ser utilizadas peças genuínas para substituição.

## 10. INSTRUÇÕES DE LUBRIFICAÇÃO



**PRECAUÇÃO:** DESLIGUE A VELA DE IGNIÇÃO ANTES DA MANUTENÇÃO.

1. RODAS - Lubrifique os rolamentos de esferas em cada roda, no mínimo, uma vez por época com um óleo leve.
2. MOTOR - Siga o manual do motor para as instruções de lubrificação.



3. CONTROLO PARAGEM - Lubrifique os pontos de base na pega de controlo de paragem e no cabo, no mínimo, uma vez por época com óleo leve. O controlo de paragem tem de operar livremente em ambas as direcções.

## 11. LIMPEZA



**PRECAUÇÃO:** Não lave o motor com uma mangueira. A água pode danificar o motor ou contaminar o sistema de combustível.

1. Limpe a carenagem com um pano seco.
2. Lave com uma mangueira a parte inferior da carenagem inclinando o cortador de grama de modo a que a vela de ignição esteja para cima.

### 11-1 FILTRO DE AR DO MOTOR



**PRECAUÇÃO:** Não permita que a sujidade ou o pó obstruam o elemento de espuma do filtro de ar.

O filtro de ar do motor tem de ser mantido (limpo) após 25 horas de corte normal. O elemento de espuma tem de ser limpo regularmente se o cortador de grama for utilizado em condições poeirentas e secas. (consulte MANUAL DO PROPRIETÁRIO DO MOTOR)

#### Para LIMPAR FILTRO DE AR

1. Para PLM4120N: Levante as patilhas na parte superior da tampa do filtro.  
Para PLM4620N: Retire o parafuso.
2. Retire a tampa.
3. Lave o filtro em água com sabão. **NÃO UTILIZE GASOLINA!**
4. Ventile o filtro até secar.
5. Coloque algumas gotas de óleo SAE30 no filtro de espuma e aperte bem para remover qualquer excesso de óleo.
6. Instale novamente o filtro.
7. Feche a tampa do filtro.



**NOTA:** Substitua o filtro se estiver desgastado, rasgado, danificado ou impossível de limpar. (Fig. 25 para PLM4120N)

### 11-2 LÂMINA DE CORTE



**PRECAUÇÃO:** Certifique-se de que desliga e liga o fio da vela de ignição à terra antes de trabalhar na lâmina de corte para evitar arranques acidentais do motor. Proteja as mãos utilizando luvas robustas ou um pano para agarrar as lâminas de corte. Vire o cortador de grama conforme especificado no manual do motor separado. Retire o parafuso e anilha sextavados que fixam a lâmina e o adaptador da lâmina à cambota do motor. Retire a lâmina e adaptador da cambota.



**AVISO:** Inspeccione periodicamente o adaptador da lâmina por fissuras, especialmente se chocar contra um objecto estranho. Substitua quando necessário. Para obter os melhores resultados, as lâminas devem estar afiadas. A lâmina pode ser afiada removendo-a e chanfrando ou limando a extremidade de corte mantendo o mais idêntico possível com o ângulo original. É extremamente importante que cada extremidade de corte receba uma quantidade igual de chanfragem para evitar uma lâmina irregular. Um lâmina irregular irá resultar na vibração excessiva causando eventuais danos no motor e no cortador de grama. Certifique-se de que equilibra bem a lâmina após afiar. Pode testar o equilíbrio da lâmina equilibrando-a numa chave de fendas de eixo redondo. Retire metal do lado pesado até ficar equilibrada. (Fig. 26)

Antes de montar a lâmina e o adaptador da lâmina na unidade, lubrifique a cambota do motor e a superfície interior do adaptador da lâmina com óleo leve. Instale o adaptador de lâmina na cambota. Consulte a Fig. 26. Coloque a lâmina com o número da peça na direcção oposta do adaptador. Alinhe a anilha sobre a lâmina e introduza o parafuso sextavado. Aperte o parafuso sextavado ao binário listado abaixo.

### 11-3 BINÁRIO DE MONTAGEM DA LÂMINA

O parafuso de centragem tem de ser apertado ao binário 35 - 45 Nm. Para garantir o funcionamento seguro da sua unidade. TODAS as porcas e parafusos têm de ser verificados periodicamente por um aperto correcto. Após a utilização prolongada, especialmente em condições de solo arenoso, a lâmina irá ficar desgastada e perder a forma original. A eficiência de corte irá diminuir e a lâmina deve ser substituída.

Substitua apenas por uma lâmina de reposição aprovada pela fábrica. Os possíveis danos resultantes do estado de desequilíbrio da lâmina não são da responsabilidade do fabricante.

Quando substitui a lâmina, tem de utilizar o tipo original marcado na lâmina (MAKITA 263001433 para PLM4120N; MAKITA 263001451 para PLM4620N) (para encomendar a lâmina, contacte o fornecedor local ou a nossa empresa).



**AVISO:** Não toque na lâmina rotativa.

### 11-4 MOTOR

Consulte o manual do motor separado para as instruções de manutenção do motor.

Faça a manutenção do óleo conforme indicado no manual do motor separado e embalado com a unidade. Leia atentamente e cumpra as instruções.

Faça a manutenção do filtro de ar conforme o manual do motor separado, sob condições normais. Limpe em intervalos de poucas horas sob condições extremamente poeirentas. Um desempenho fraco do motor e inundação indica, normalmente, que deve efectuar a manutenção do filtro de ar.

Para fazer a manutenção do filtro de ar, consulte o manual do motor separado e embalado com a unidade.

A vela de ignição deve ser limpa e a folga calibrada uma vez por época. A substituição da vela de ignição é recomendada no início de cada época de corte; verifique o manual do motor para o tipo de vela e especificações de folga correctos.

Limpe o motor regularmente com um pano ou escova. Mantenha o sistema de arrefecimento (área da estrutura do ventilador) limpo para permitir uma circulação adequada do ar, que é essencial para o desempenho e vida útil do motor. Certifique-se de que retira toda a relva, sujidade e detritos de combustível da área do silenciador.

## 12. INSTRUÇÕES DE ARMAZÉNAMENTO (FORA DE ÉPOCA)

Os passos seguintes devem ser seguidos para preparar o cortador de grama para armazenamento.

1. Esvazie o depósito após o último corte da estação.
  - a) Esvazie o depósito de gasolina com uma bomba de aspiração.



**PRECAUÇÃO:** Não drene a gasolina em espaços fechados, perto de chamas abertas, etc. Não fume! Os vapores da gasolina podem causar explosões ou incêndios.

- b) Ligue o motor e deixe-o em funcionamento até gastar a gasolina restantes e parar.
  - c) Retire a vela de ignição. Utilize uma galheta de óleo para encher aprox. 20 ml de óleo na câmara de combustão. Utilize o motor de arranque para distribuir uniformemente o óleo na câmara de combustão. Substitua a vela de ignição.
2. Limpe e lubrifique o cortador de grama com cuidado, como descrito em "INSTRUÇÕES DE LUBRIFICAÇÃO".
3. Lubrifique ligeiramente o cortador para evitar corrosão.
4. Guarde o cortador de grama num local seco, limpo e protegido do gelo, fora do alcance de pessoas não autorizadas.



**PRECAUÇÃO:** O motor tem de arrefecer por completo antes de guardar o cortador de grama.



### NOTA:

Quando guardar qualquer tipo de equipamento eléctrico numa cabana não ventilada ou de armazenamento de material;

- Deve ter cuidado ao isolar o equipamento contra a ferrugem. Utilizando um óleo leve ou silicone, revista o equipamento, especialmente cabos e todas as peças móveis.
- Tenha cuidado para não dobrar ou torcer cabos.
- Se o cabo do motor de arranque se desligar do guia do cabo na pega, desligue e ligue o fio da vela de ignição à terra. Pressione a pega de controlo da lâmina e retire o cabo do motor de arranque do motor lentamente. Introduza o cabo do motor de arranque no parafuso do guia do cabo na pega.

## Transporte

Desligue o motor e deixe-o arrefecer um bocado. Depois, desligue o fio da vela de ignição e esvazie o depósito de combustível de acordo com as instruções no manual do motor. Certifique-se que não dobra ou danifica a serra quando empurrar o corta relva sobre obstáculos.

## 13. RESOLUÇÃO DE PROBLEMAS

PROBLEMA	CAUSA PROVÁVEL	ACÇÃO DE CORRECÇÃO
O motor não arranca.	Afogador na posição incorrecta para as condições predominantes.	Desloque o afogador para a posição correcta.
	O depósito de combustível está vazio.	Abasteça o depósito com combustível: consulte MANUAL DO PROPRIETÁRIO DO MOTOR.
	O filtro de ar está sujo.	Limpe o filtro de ar: consulte MANUAL DO PROPRIETÁRIO DO MOTOR.
	Vela de ignição solta.	Aperte a vela de ignição a 25 - 30 Nm.
	Fio da vela de ignição solto ou desligado da vela.	Instale o fio da vela de ignição na vela de ignição.
	A folga da vela de ignição está incorrecta.	Defina a folga entre os eléctrodos de 0,7 a 0,8 mm.
	Vela de ignição defeituosa.	Instale uma vela nova com uma folga correcta. consulte MANUAL DO PROPRIETÁRIO DO MOTOR.
	O carburador está encharcado de combustível.	Retire o filtro de ar e puxe o cabo do motor de arranque continuamente até o carburador se limpar autonomamente e instale o filtro de ar.
Dificuldade do motor em arrancar ou perde potência.	Módulo de ignição avariado.	Contacte o centro de assistência autorizado da Makita.
	Sujidade, água ou depósito de combustível deteriorado.	Purgue o combustível e limpe o depósito. Abasteça o depósito com combustível novo e limpo.
	O orifício de ventilação no tampão do depósito de combustível está obstruído.	Limpe ou substitua o tampão do depósito de combustível.
O motor funciona irregularmente.	O filtro de ar está sujo.	Limpe o filtro de ar.
	A vela de ignição está defeituosa.	Instale uma vela nova com uma folga correcta. consulte MANUAL DO PROPRIETÁRIO DO MOTOR.
	A folga da vela de ignição está incorrecta.	Defina a folga entre os eléctrodos de 0,7 a 0,8 mm.
Fraco ralenti do motor.	O filtro de ar está sujo.	Limpe o filtro de ar: consulte MANUAL DO PROPRIETÁRIO DO MOTOR.
	As ranhuras de ar na blindagem do motor estão obstruídas.	Remova os resíduos das ranhuras.
	As alhetas de arrefecimento e as passagens de ar na estrutura do ventilador do motor estão obstruídas.	Retire os detritos das alhetas de arrefecimento e das passagens de ar.
O motor salta a alta velocidade.	A folga entre os eléctrodos da vela de ignição é demasiado próxima.	Defina a folga entre os eléctrodos de 0,7 a 0,8 mm.
O motor sobreaquece.	O caudal de ar de arrefecimento é limitado.	Retire quaisquer detritos das ranhuras na blindagem, estrutura do ventilador e passagens de ar.
	Vela de ignição incorrecta.	Para o PLM4120N, instale a vela de ignição RC12YC ou QC12YC e as alhetas de arrefecimento no motor. Para o PLM4620N, instale a vela de ignição RJ19LMC e as alhetas de arrefecimento no motor.
O corta-relva vibra anormalmente.	O conjunto de corte está solto.	Aperte a lâmina.
	O conjunto de corte está desequilibrado.	Equilibre a lâmina.

## 14. AMBIENTE

Caso a máquina necessite de ser substituída após utilização prolongada, não a coloque no lixo doméstico e elimine-a de forma segura para o ambiente.

### **Apenas para os países europeus**

#### **Declaração de conformidade CE**

**A Makita declara que a(s) seguinte(s) máquina(s):**

Designação da máquina:

Cortador de Grama a Gasolina

N.º de modelo/Tipo: PLM4120N, PLM4620N

Especificações: Consulte "4. DADOS TÉCNICOS"

**estão em conformidade com as Directivas Europeias seguintes:**

2004/108/CE, 2006/42/CE, 2000/14/CE e 2005/88/CE

São fabricadas de acordo com as seguintes normas ou documentos normalizados:

EN ISO 5395-1, EN ISO 5395-2, EN ISO 14982

De acordo com a 2006/42/CE, o ficheiro técnico está disponível em:

Makita, Jan-Baptist Vinkstraat 2, 3070, Bélgica

O procedimento de avaliação da conformidade

requisitado pela Directiva 2000/14/CE estava de acordo com o anexo VI.

Corpo notificado:

TÜV SÜD Industrie Service GmbH

Westendstrasse 199, D-80686 München, Alemanha

Número de identificação: 0036

PLM4120N

Nível de potência sonora medida: 93,4 dB

Nível de potência sonora garantida: 96 dB

PLM4620N

Nível de potência sonora medida: 93,6 dB

Nível de potência sonora garantida: 96 dB

22.8.2014



Yasushi Fukaya

Diretor

Makita, Jan-Baptist Vinkstraat 2, 3070, Bélgica

**Forklaring til generel oversigt**

- |                       |                       |                       |
|-----------------------|-----------------------|-----------------------|
| 1. Øverste håndtag    | 6. Græsopsamler       | 11. Olieåbning        |
| 2. Stopkontrolhåndtag | 7. Højdejusteringsarm | 12. Kabelklemme       |
| 3. Chokerhåndtag      | 8. Klippeskjold       | 13. Låsegreb          |
| 4. Starthåndtag       | 9. Tændrør            | 14. Hurtig hastighed  |
| 5. Gennemføring       | 10. Brændstofdæksel   | 15. Langsom hastighed |

**ADVARSEL**

For din egen sikkerheds skyld, bør du læse denne brugsanvisning, inden du begynder at anvende din nye maskine. Hvis du ikke følger instruktionerne, kan det medføre alvorlig personskade. Brug nogle få øjeblikke på at lære plæneklipperen at kende inden hver brug. Opbevar denne brugsanvisning på et sikkert sted, således at dens information til enhver tid er tilgængelig. Hvis du overdrager udstyret til en anden person, skal du lade denne brugsanvisning og sikkerhedsforskrifterne følge med.

**Beregnet anvendelse**

Udstyret må kun anvendes til de opgaver, som det er beregnet til at håndtere. Al anden brug regnes for at være misbrug. Brugeren/operatøren, og ikke fabrikanten, vil være ansvarlig for enhver skade eller tilskadekomst, der er forårsaget af et resultat af dette.

Benzinplæneklipperen er beregnet til privat brug, dvs. til brug i hjemme- og havemiljøer.

Privat brug af plæneklipperen refererer til en årlig brugstid, der generelt ikke overskrider 50 timer, i hvilken periode maskinen primært bruges til at vedligeholde mindre plæner ved boligen og i hjemme-/hobbyhaver.

Anvendelse i offentlige faciliteter, sportshaller og ved landbrug/ skovbrug er udelukket.

Bemærk venligst, at dette udstyr ikke er lavet til brug til kommercielle, handels- eller industrielle formål. Vores garanti vil bortfalde, hvis maskinen anvendes til kommercielle, handels- eller industrielle formål eller til lignende formål.

Brugsvejledningen, som leveret af fabrikanten, skal opbevares og konsulteres for at sikre, at plæneklipperen bruges og vedligeholdes på korrekt vis. Instruktionerne indeholder vigtig information om anvendelse, vedligeholdelse og servicering.

Vigtigt! På grund af den store risiko for, at brugeren kan komme til skade, må plæneklipperen ikke bruges til at trimme buske, hække og krat, eller til at skære skrånende vegetation, beplantede tag eller græs på balkoner, eller til at rengøre (opsuge) snavs og affald fra gangstier, eller til at skære træ- eller hækafflip. Desuden må plæneklipperen ikke bruges som el-kultivator til at udjævne høje områder som f.eks. muldvarpeskud. Af sikkerhedsgrunde må plæneklipperen ikke bruges som drivenhed for andre arbejdsmaskiner eller værktøjssæt af nogen slags.

**1. SYMBOLER PÅ PRODUKTET (på bagsiden)**

Læs brugsanvisningen.



Hold andre tilstedeværende på afstand.



Vær meget opmærksom på hænder og fødder for at undgå personskader.



Giftige dampe. Må ikke anvendes indendørs.



Brændstof er letantændeligt, så hold afstand til åben ild. Påfyld ikke brændstof på en kørende maskine.



Under græsklipning skal operatøren anvende beskyttelsesbriller og ørepropper for at beskytte sig selv.



Ved reparation fjernes tændrøret først, hvorefter reparationen udføres i henhold til brugsanvisningen.



Forsigtig: Motoren er varm.



Slip kontakthåndtaget for at stoppe motoren.



## 2. GENERELLE SIKKERHEDSREGLER



**ADVARSEL:** Ved anvendelse af benzindrevne maskiner skal de grundlæggende forholdsregler, inklusive de følgende, altid overholdes for at reducere risikoen for personskade og/eller beskadigelse af enheden. Læs alle disse instruktioner inden anvendelse af dette produkt og gem instruktionerne, så du altid har dem.



**ADVARSEL:** Denne maskine frembringer et elektromagnetisk felt under anvendelse. Under visse omstændigheder kan dette felt interferere med aktive eller passive medicinske implantater. For at reducere risikoen for alvorlige eller fatale skader anbefaler vi, at personer med medicinske implantater konsulterer deres læge og producenten af de medicinske implantater inden anvendelse af denne maskine.

### Træning

- Læs omhyggeligt instruktionerne igennem. Gør dig bekendt med betjeningen og den korrekte anvendelse af udstyret.  
Lær hvordan du stopper motoren hurtigt.
- Brug kun plæneklipperen til det formål den er designet til, dvs. til klipning og indsamling af græs. Andre former for brug kan være farlig og forårsage skader på maskinen. Eksempler på forkert brug kan omfatte, men er ikke begrænset til:
  - transport af personer, børn eller dyr på maskinen;
  - blive transporteret af maskinen;
  - brug af maskinen til at trække eller skubbe læs;
  - brug af maskinen til blad- eller affaldsopsamling;
  - brug af maskinen til hækkeklipping eller til klipning af anden vegetation end græs;
  - brug af maskinen af mere end en person;
  - brug af kniven på andre overflader end græs.
- Lad aldrig børn eller personer, som ikke har kendskab til disse instruktioner, anvende plæneklipperen. Lokale bestemmelser kan sætte begrænsninger for brugerens alder.
- Brug aldrig plæneklipperen:
  - når der er personer, især børn, eller kæledyr i nærheden;
  - hvis operatøren har indtaget medicin eller stoffer, som kan påvirke hans evne til at reagere og koncentrere sig.
- Vær opmærksom på, at operatøren eller brugeren er ansvarlig for ulykker eller farlige situationer, der måtte opstå mod andre personer eller deres ejendele.
- Operatørerne skal modtage passende træning i brugen, justeringen og betjeningen af maskinen, inklusive forbudte betjening.

### Forberedelse

- Bær altid robust fodtøj og lange bukser under plæneklipping. Anvend ikke maskinen med bare fødder eller åbne sandaler.

- Inspicér omhyggeligt det område, hvor udstyret skal anvendes, og fjern alle genstande, såsom sten, legetøj, pinde og ledninger, som kan blive slynget ud af maskinen.
- **ADVARSEL - Benzin er meget brandfarligt.**
  - opbevar brændstof i beholdere, som er særligt beregnet til dette formål;
  - påfyld kun brændstof udendørs og ryg ikke under påfyldningen;
  - påfyld brændstof inden start af motoren. Tag aldrig dækslet af brændstoffranken eller påfyld benzin, mens motoren kører, eller når motoren er varm;
  - hvis der spildes benzin, skal du ikke forsøge at starte motoren, men flytte maskinen væk fra det sted, hvor der blev spildt, og undgå alt der kan være kilde til antændelse, indtil benzindampene er fordampet;
  - husk at skrue dæksler ordentligt på alle brændstoffanke og beholdere.
- Udskift defekte støjdæmpere.
- Inden brug skal du altid se efter slid eller skader på knivene, knivboltene og knivmonteringen. Udskift slidte eller beskadigede knive og bolte sætvis for at opretholde balancen.
- Kontroller regelmæssigt, at alle start-blokeringsmekanismer og operatørtlildestedeværseleskontroller fungerer ordentligt.

### Betjening

- Anvend ikke motoren på et indelukket sted, hvor der kan ophobes farlige kulltedampe.
- Brug ikke maskinen, hvis du er træt, syg eller under indflydelse af alkohol eller lægemidler.
- **Advarsel!** Brug ikke plæneklipperen, hvis der er risiko for lynnedslag.
- Det anbefales at begrænse varigheden af brugen, for at minimere risikoen for støj og vibration.
- Vær forsigtig, når plæneklipperen anvendes på bakker og i nærheden af stejle skråninger, grøfter eller dosseringer
- Klip kun græs i dagslys eller under god kunstig belysning.
- Undgå at anvende maskinen i vådt græs, hvor det er muligt.
- Sørg altid for et godt fodfæste på skråninger.
- Gå, løb aldrig.
- Med kørende roterende maskiner skal klipningen foregå på tværs af skråninger og aldrig op og ned.
- Vær meget forsigtig ved retningsændringer på skråninger.
- Klip ikke græs på meget stejle skråninger.
- Vær meget forsigtig, når du bakker eller trækker plæneklipperen ind mod dig selv.
- Stop kniven(e) hvis plæneklipperen skal vippes af hensyn til transport over andre overflader end græs, eller når plæneklipperen transporteres til og fra det område, hvor der skal klippes græs.
- Benyt aldrig plæneklipperen, hvis beskyttelsesskærmene er beskadiget eller uden påmonteret sikkerhedsudstyr som f.eks. deflektorer og eller græsopsamlere.

- Forsigtig: Plæneklipperen må ikke anvendes uden at enten hele græsopsamleren eller den selvlukkende beskyttelsesskærm til udkastningsåbningen er på plads.
- Du skal ikke ændre ikke motorens regulatorindstillinger eller overbelaste motoren.
- Lad være med at ændre eller pille ved nogen indkapslet justering til motorhastighedskontrollen.
- Der må ikke pilles ved plæneklipperens sikkerhedssystemer eller funktioner og de må ikke sættes ud af funktion.
- Afbryd alle kniv- og drivkobliger inden start af motoren.
- Start motoren forsigtigt i henhold til instruktionerne og med fødderne på god afstand af kniven(e).
- Du skal ikke vippe plæneklipperen, når motoren startes.
- Start ikke motoren, mens du står foran græsudkastet.
- Stik ikke hænder eller fødder ind i nærheden af eller under roterende dele. Hold dig altid væk fra udkastningsåbningen.
- Løft eller bær aldrig en plæneklipper, mens motoren kører.
- Stands motoren og afbryd tændrørskablet, sørg for at alle bevægelige dele er fuldstændigt stoppet og fjern nøglen i tilfælde af, at der anvendes en nøgle:
  - Inden fjernelse af hindringer eller rensning af græsudkastet;
  - Inden kontrol, rengøring eller arbejde på plæneklipperen;
  - Efter du har ramt et fremmedlegeme. Kontroller plæneklipperen for skader og udfør reparationer inden start eller betjening af plæneklipperen;
  - Hvis plæneklipperen begynder at vibrere unormalt (kontroller straks).
- Stands motoren og afbryd tændrørskablet, sørg for at alle bevægelige dele er fuldstændigt stoppet og fjern nøglen i tilfælde af, at der anvendes en nøgle:
  - Når du forlader plæneklipperen;
  - Inden påfyldning af brændstof.
- Reducer gasindstillingen under nedlukning af motoren og sluk for brændstoffet efter endt plæneklipping, hvis motoren er udstyret med en lukkeventil.
- Brug kun plæneklipperen til det formål den er designet til, dvs. til klipping og indsamling af græs. Andre former for brug kan være farlig og forårsage skader på maskinen.
- Lad motoren køle af, inden plæneklipperen stilles til opbevaring på et indelukket sted. Rengør og vedligehold plæneklipperen inden den stilles til opbevaring.
- For at reducere brandrisikoen skal motoren, støjdæmperen, batterirummet og benzinopbevaringsområdet holdes fri for græs, blade og overdrevent meget smøremiddel.
- Kontroller jævnligt græsopsamleren for slid eller beskadigelse.
- Udskift slidte eller beskadigede dele af sikkerhedshensyn.
- Hvis brændstoftanken skal tømmes, skal dette udføres udendørs.
- Forkert vedligeholdelse, brug af ikke-tilpassede udskiftningsdele, eller fjernelse eller modifikation af sikkerhedsdele kan beskadige plæneklipperen og bevirke, at operatørene kommer alvorligt til skade.
- Brug kun de blade og reservedele, som er anbefalet af fabrikanten. Brug af ikke-originale dele kan beskadige maskinen og bevirke, at operatørene kommer alvorligt til skade. Hold altid plæneklipperen i god arbejdsstand.
- Hvis bladstopperanordningen ikke fungerer, bedes du kontakte et servicecenter for at få hjælp.

## Transport og håndtering

- Når maskinen skal håndteres, løftes, transporteres eller vippes, skal du:
  - anvende kraftige arbejdshandsker;
  - gribe fast i maskinen på de punkter, hvor det er muligt at få ordentligt fat, og være opmærksom på vægten og dens fordeling;
  - anvende et passende antal personer i henhold til vægten af maskinen og køretøjets egenskaber, eller det sted hvor den skal placeres eller afhentes.
- Under transport skal maskinen fastgøres ordentligt med reb eller kæder.



**ADVARSEL:** Rør ikke ved roterende knive.



**ADVARSEL:** Påfyld brændstof på et sted med god ventilation og med motoren standset.

## 3. BESKRIVELSE AF DELE (Fig. 1 og 2)

### Indeholdende

A: Tændrørsnøgle

B: Mulching-kile

## Vedligeholdelse og opbevaring

- Sørg for, at alle møtrikker, bolte og skruer er strammet, så maskinen altid er klar til brug.
- Opbevar aldrig maskiner med benzin i tanken inde i en bygning, hvor dampe kan komme i kontakt med åben ild eller gnister.

## 4. TEKNISKE DATA

Model	PLM4120N	PLM4620N
Motortype	B&S 500E-Serien	B&S 625E-Serien
Selvtræk	Nej	Nej
Motorvolumen	140 cm <sup>3</sup>	190 cm <sup>3</sup>
Nominel ydelse	1,9 kW	2,4 kW

Model	PLM4120N	PLM4620N
Knivbredde	410 mm	460 mm
Tomgangshastighed	2.800/min	2.800/min
Kapacitet for brændstoftank	0,8 l	1,0 l
Olietankkapacitet	0,47 l	0,6 l
Kapacitet for græsopsamlerpose	50 l	60 l
Nettovægt	26,0 kg	31,1 kg
Højdejustering	25 – 70 mm, 5 justeringer	25 – 70 mm, 5 justeringer
Garanteret lydeffektniveau i operatørens stilling (i henhold til EN ISO 5395-1 Annex F og EN ISO 5395-2, EN ISO 4871)	84,6 dB (A) (K = 3 dB (A))	83,5 dB (A) (K = 3 dB (A))
Målt lydeffektniveau	93,4 dB (A) K = 1,93 dB (A)	93,6 dB (A) K = 2,47 dB (A)
Garanteret lydeffektniveau (i henhold til 2000/14/EF)	96 dB (A)	96 dB (A)
Vibration (i henhold til EN ISO 5395-1 Annex G og EN ISO 5395-2)	5,27 m/s <sup>2</sup> K = 1,5 m/s <sup>2</sup>	5,738 m/s <sup>2</sup> K = 1,5 m/s <sup>2</sup>

## 5. MONTERING

### 5-1 MONTERING AF FOLDEHÅNDTAGET

- Fastgør de nederste håndtagsstænger til enheden med to sæt bolte, skiver og låsegreb som vist. (Fig. 3, Fig. 4, Fig. 5, Fig. 6)
- Udløs de øverste håndtagsstænger, så håndtaget kan foldes sammen. Tilslut det øverste håndtag og nederste håndtag med de to sæt bolte, skiver og låsegreb. (Fig. 7, Fig. 8, Fig. 9)
- Placer alle kabler over håndtagsskafterne. Klem dem fast ca. midt på de nederste håndtag med kabelklemmerne, sådan at kablerne er fastgjort på ydersiden af maskinen. Ellers kan kablerne blive klemte, når bagdækslet åbnes/lukkes, eller blive trukket i, når det øverste håndtag foldes sammen. (Fig. 10)

### 5-2 MONTERING AF GRÆSOPSAMLEREN

- Påsætning: Løft bagdækslet op og hæng græsopsamleren bag på plæneklipperen. (Fig. 11, Fig. 12)
- Aftagning: Tag fat og løft op i bagdækslet for tage græsopsamleren af.

### 5-3 STARTHÅNDTAG

Flyt starthåndtaget fra motoren til gennemføringen. (Fig. 13, Fig. 14)

### 5-4 KLIPPEHØJDE

Tryk udad for at løsne armen fra tandstangen. Flyt armen fremad eller bagud for at justere højden. (Fig. 15 og se afsnit 8-8)

## 6. JUSTERING AF EN PASSENDE HØJDE

- Skru låsegrebet, der fastgør det nederste håndtag, ud. (Fig. 16)
- Se Fig. 17 og flyt det nederste håndtag op og ned for at justere det på den passende højde. Der kan vælges mellem 3 højdejusteringer på denne

type plæneklipper, hvor afstanden fra nederste håndtag til jorden er størst for højde 1, og lavest for højde 3.

- Juster ind på den passende højde og fastgør derefter det nederste håndtag med låsegrebene.



**ADVARSEL:** Det nederste håndtags venstre og højre side skal være justeret ind på den samme højde.

## 7. 2 I 1

Disse plæneklippere kan opdateres teknologisk fra deres normale funktion, baseret på anvendelsesformålet:

Fra plæneklipper med udkastning bagud og mulching-plæneklipper.

Hvad er mulching?

Ved mulching (bioklip) klippes græsset i første arbejdsstrin, derefter findeles det og returneres til græsplænen som naturlig gødning.

Tips angående mulching (bioklip):

- Almindelig klipping af maks. 2 cm fra 6 cm til 4 cm højt græs.
- Brug en skarp kniv.
- Klip ikke i vådt græs.
- Indstil på maksimal motorhastighed.
- Gå kun frem i gå-tempo.
- Rens jævnligt mulching-kilen, indersiden af huset og kniven.

### ET: Eftermontering for brug som mulching-plæneklipper



**ADVARSEL:** Kun med en standset motor og stoppet kniv.

- Løft bagdækslet og fjern græsopsamleren.
- Tryk mulching-kilen ind i klippeskjoldet. Lås mulching-kilen med knappen ind i åbningen i klippeskjoldet. (Fig. 18, Fig. 19)
- Sænk bagdækslet igen.



## TO: Klipning med græsopsamler

1. For klipning med græsopsamleren skal du fjerne mulching-kilen og montere græsopsamleren.
  2. Fjernelse af mulching-kilen.
- Løft bagdækslet og fjern mulching-kilen.



**ADVARSEL:** Kun med en standset motor og stoppet kniv.

## 8. BETJENINGSINSTRUKTIONER

### 8-1 INDEN DU STARTER

Fyld benzin og olie på motoren som anvist i den separate motorvejledning, der kom sammen med plæneklipperen. Læs omhyggeligt instruktionerne igennem.



**ADVARSEL:** Benzin er meget brandfarligt. Opbevar brændstof i beholdere, som er særligt beregnet til dette formål.

Påfyld kun brændstof udendørs, inden du starter motoren, og undlad at ryge, mens du påfylder eller håndterer brændstof.

Tag aldrig dækslet af brændstoftanken eller påfyld benzin, mens motoren kører, eller når motoren er varm.

Hvis der spildes benzin, skal du ikke forsøge at starte motoren, men flytte maskinen væk fra det sted, hvor der blev spildt, og undgå alle antændelseskilder indtil benzindampene er fordampet.

Husk at skrue dæksler ordentligt på alle brændstoftanke og beholdere.

Inden du vipper plæneklipperen for at vedligeholde kniven eller tømme olien af, skal du tømme tanken for brændstof.



**ADVARSEL:** Fyld aldrig brændstof på brændstoftanken indendørs, med motoren kørende, eller før motoren har fået lov til at køle af i mindst 15 minutter efter brug.

### 8-2 START AF MOTOR OG AKTIVERING AF KNIV

1. Enheden er udstyret med en gummihætte over tændrøret. Sørg for at metalstroppen på tændrørskablet (inde i gummihætten) er ordentligt fastgjort på tændrørets metalspids.
2. Tryk 3-5 gange på tipperen, inden du starter motoren. (Fig. 20)
3. Når du starter en kold motor, skal du dreje chokerhåndtaget over på positionen "☞". Når du starter en varm motor og begynder anvendelse, skal du dreje chokerhåndtaget over på "☞☞"-positionen. (Fig. 21)
4. Mens du står bag ved enheden, skal du gribe fat i stopkontrolhåndtaget og holde det ind mod det øverste håndtag som vist i Fig. 22.
5. Grib fat i starthåndtaget som vist i Fig. 22 og træk det hurtigt op. Før det langsomt tilbage til gennemføringsbolten efter motoren er startet. Slip stopkontrolhåndtaget for at standse motoren og kniven.



Start motoren forsigtigt i henhold til instruktionerne og med fødderne på god afstand af kniven.



Du skal ikke vippe plæneklipperen, når motoren startes. Start plæneklipperen på et jævnt underlag, fri for højtt græs eller andre hindringer.



Hold hænder og fødder på afstand af de roterende dele. Start ikke motoren, mens du står foran græsudkastet.

### 8-3 BETJENINGSPROCEDURER

Under anvendelse skal du holde godt fast i stopkontrolhåndtaget med begge hænder.



**Bemærk:** Hvis stopkontrolhåndtaget slippes under anvendelsen, standser motoren, og derfor stopper plæneklipperen med at køre.



**ADVARSEL!** For at undgå utilsigtet start af plæneklipperen, leveres den med en motorbremse, som skal trækkes tilbage, inden motoren kan startes. Når motorkontrolarmen frigøres, skal den returnere til dens udgangsstilling, ved hvilket punkt motoren automatisk slukker.



**Bemærk:** Motorbremse (bremsehåndtag): Brug armen til at stoppe motoren. Når armen frigøres, vil motoren og bladet automatisk stoppe. For at klippe, skal man holde armen i arbejdsstilling. Kontroller, inden du begynder at klippe, start/stop-armen flere gange for at sikre dig, at den fungerer ordentligt. Sørg for, at strammekablet kan betjenes problemfrit (dvs. at det ikke på nogen måde sætter sig fast eller laver kinker).

### 8-4 SÅDAN STANDSES MOTOREN



**FORSIGTIG:** Kniven fortsætter med at rotere nogle få sekunder, efter motoren er slukket.

1. Slip stopkontrolhåndtaget for at standse motoren og kniven.
2. Afbryd og jord tændrørskablet som anvist i den separate motorvejledning for at forhindre utilsigtet start, mens maskinen ikke er under opsyn.

### 8-5 SÅDAN OPNÅS DE BEDSTE GRÆSKLIPNINGSRISULTATER

Ryd græsplænen for affald. Sørg for at græsplænen er fri for sten, grene, ståltråd eller andre fremmedlegemer, der eventuelt ved et uheld kan blive slynget ud af plæneklipperen i en hvilken som helst retning og forvolde alvorlig personskade på operatøren og andre, såvel som skader på materiel og omkringliggende genstande. Klip ikke vådt græs. For at opnå en effektiv klipning af græsset skal du ikke klippe vådt græs, da det har tendens til at sætte sig fast i klippeskjoldet og forhindre ordentligt klipning af det afklippede græs. Klip ikke mere end 1/3 af græssets længde.

Den anbefalede græsklipning er 1/3 af græssets længde. Hastigheden over jorden skal justeres, sådan at de afklippede stykker kan fordeles jævnt ind på plænen. Især ved kraftig klipning af tykt græs kan det være nødvendigt at bruge en af de laveste hastigheder for at få et rent, fint klip. Ved klipning af langt græs er du muligvis nødt til at klippe plænen af to omgange, hvor du sænker kniven med endnu en 1/3 af længden ved andet klip og eventuelt klipper græsset i et andet mønster, end det der blev anvendt første gang.

En lille smule overlappning af klippet for hver gang, hjælper også med til at fjerne eventuelt spredte afklippede rester, der ligger tilbage på plænen. Plæneklipperen bør altid anvendes ved fuld gas for at få det reneeste snit og give maskinen mulighed for at udføre den bedst mulige klipning. Rens undersiden af klippeskjoldet.

Sørg for at rense undersiden af klippeskjoldet hver gang efter brug for at undgå en ophobning af græs, hvilket ellers forhindrer ordentlig mulching.

Klipning af blade: Klipning af blade kan også være godt for din græsplæne. Ved klipning af blade skal du sørge for, at de er tørre, samt at der ikke ligger et alt for tykt lag på græsplænen. Du skal ikke vente til alle bladene er faldet af træerne, før du udfører klipning.



**ADVARSEL:** Hvis du støder på et fremmedlegeme, skal motoren standses. Fjern kablet fra tændrøret og efterser plæneklipperen nøje for skader, og reparer skaden inden du starter og anvender plæneklipperen igen. Hvis plæneklipperen vibrerer voldsomt under anvendelse, kan det være et tegn på beskadigelse. Enheden bør straks efterses og repareres.

## 8-6 GRÆSOPSAMLER

Tøm og rens posen. Sørg for, at den er ren, og dens net er ventileret. (Fig. 23)

## 8-7 KLIPPESKJOLD

Undersiden af plæneklipperens klippeskjold bør renses hver gang efter brug for at forhindre ophobning af afklippede græsrester, blade, snavs eller andre materialer. Hvis de afklippede rester får lov til at ophobe sig, medvirker det til rust- og korrosionsdannelse og kan forhindre ordentlig mulching. Klippeskjoldet kan renses ved at vippe plæneklipperen og skrabe det rent med et passende værktøj (sørg for at tændrørskablets forbindelse er afbrudt).

## 8-8 INSTRUKTIONER FOR HØJDEJUSTERING



**FORSIGTIG:** Udfør aldrig nogen justeringer på plæneklipperen uden først at standse motoren og afbryde tændrørskablets forbindelse.



**FORSIGTIG:** Inden du ændrer klippehøjden, skal du standse plæneklipperen og afbryde tændrørskablets forbindelse. Plæneklipperen er udstyret med en central højdejusteringsarm, der har 5 højdepositioner.

1. Stands plæneklipperen og afbryd tændrørskablets forbindelse, inden du ændrer plæneklipperens klippehøjde.
2. Den centrale højdejusteringsarm har 5 forskellige højdepositioner.
3. For at ændre klippehøjden skal du trykke justeringsarmen mod hjulet, og flytte op eller ned på den valgte højde (Fig. 24). Alle hjulene indstilles på den samme klippehøjde.

## 9. VEDLIGEHOLDELSESINSTRUKTIONER

### TÆNDRØR

Udskift kun med originale tændrør. Du opnår det bedste resultat ved at udskifte tændrøret efter hver 100 timers brug. (se BRUGERVEJLEDNING TIL MOTOR)

### BREMSEKLODSER

Kontroller og/eller udskift med jævne mellemrum motorbremseklodsene hos en serviceagent, kun originale dele kan bruges til udskiftning.

## 10. SMØREINSTRUKTIONER



**FORSIGTIG:** ABRYD TÆNDRØRETS FORBINDELSE INDEN EFTERSYN.

1. HJUL-Smør kuglelejerne på hvert hjul mindst én gang i sæsonen med en let olie.
2. MOTOR-Følg motorvejledningen angående instruktioner for smøring.
3. STOPKONTROL-Smør omdrejningsakserne på stopkontrolhåndtaget og dets kabel mindst én gang i sæsonen med en let olie. Stopkontrollen skal kunne bevæges frit i begge retninger.

## 11. RENGØRING



**FORSIGTIG:** Spul ikke motoren med en vandslange. Vandet kan beskadige motoren og forurene brændstofsystelet.

1. Tør klippeskjoldet af med en tør klud.
2. Spul med en vandslange under klippeskjoldet ved at vippe plæneklipperen, sådan at tændrøret er opad.

### 11-1 MOTORLUFTFILTER



**FORSIGTIG:** Sørg for at snavs eller støv ikke tilstopper luftfilterets skumelement.

Motorens luftfilterelement skal efterses (renses) efter 25 timers normal plæneklipning. Skumelementet skal efterses regelmæssigt, hvis plæneklipperen anvendes under tørre, støvede forhold. (se BRUGERVEJLEDNING TIL MOTOR)

### SÅDAN RENSER LUFTFILTERET

1. For PLM4120N: Løft tapperne oven på filterdækslet. For PLM4620N: Fjern skruen.

2. Fjern dækslet.
3. Vask filterelementet i sæbevand. **BRUG IKKE BENZIN!**
4. Lufttør filterelementet.
5. Put et par dråber SAE30-olie på skumfilteret og vrid det omhyggeligt for at fjerne eventuelt overskud af olie.
6. Monter filteret igen.
7. Luk filterdækslet.



**BEMÆRK:** Udskift filteret hvis det er flosset, flænsat, beskadiget eller ikke kan renses. (Fig. 25 for PLM4120N)

## 11-2 KNIV



**FORSIGTIG:** Sørg for at afbryde og jorde tændrørskabet inden arbejdet med kniven for at forhindre utilsigtet start af motoren. Beskyt hænderne ved at anvende tykke handsker eller en klud, når du griber om knivene.

Vip plæneklipperen som anvist i den separate motorvejledning. Fjern sekskantbolten og skiven, der holder kniven og knivadapteren fast på motorens krumtapaksel. Afmonter kniven og adapteren fra krumtapakslen.



**ADVARSEL:** Efterse regelmæssigt knivadapteren for revner, især hvis du rammer et fremmedlegeme. Udskiftes om nødvendigt. Du opnår de bedste resultater med en skarp kniv. Kniven kan skærpes ved at afmontere den og enten slibe eller file knivsåggen, sådan at den oprindelige smig opretholdes så vidt muligt. Det er ekstremt vigtigt, at hver knivsåg slibes lige meget for ikke at få en uafbalanceret kniv. En forkert balanceret kniv medfører voldsomme vibrationer og kan forårsage skade på motoren og plæneklipperen. Sørg for at balancere kniven omhyggeligt efter slibning. Knivens balance kan testes ved at balancere den på en rundskaffet skruetrækker. Fjern metal fra den tunge side indtil den balancerer jævnt. (Fig. 26)

Inden du monterer kniven og knivadapteren på enheden, skal du smøre motorens krumtapaksel og indersiden af knivadapteren med en let olie. Installer knivadapteren på krumtapakslen. Se Fig. 26. Placer kniven med delnummeret vendende væk fra adapteren. Placer skiven over kniven og indsæt sekskantbolten. Stram sekskantbolten med det moment, der er anvist nedenfor.

## 11-3 KNIVMONTERINGSMOMENT

Midterbolten skal strammes med et moment på 35 - 45 Nm. For at sikre sikker anvendelse af din enhed. ALLE møtrikker og bolte skal regelmæssigt kontrolleres for korrekt tilspænding. Efter længere brug, især ved sandede jordforhold, bliver kniven slidt og mister noget af den oprindelige form. Effektiviteten af klipningen reduceres, og kniven bør udskiftes.

Udskift kun kniven med en fabriksgodkendt kniv. Eventuelle skader pga. en uafbalanceret kniv er ikke producentens ansvar.

Når du udskifter kniven, skal du anvende den originale type, som er mærket på kniven (MAKITA 263001433 til PLM4120N; MAKITA 263001451 til PLM4620N) (kontakt din lokale forhandler eller dit firma angående bestilling af en ny kniv).



**ADVARSEL:** Rør ikke ved roterende knive.

## 11-4 MOTOR

Se den separate motorvejledning angående instruktioner for motorvedligeholdelse.

Vedligeholdet motoren som anvist i den separate motorvejledning, der kom sammen med din enhed. Læs og følg instruktionerne omhyggeligt.

Foretag eftersyn af luftfilteret som anvist i den separate motorvejledning under normale forhold. Under ekstremt støvede forhold skal det altid renses efter nogle få timers brug. Dårlig motordydelse og drukning af motoren angiver, at luftfilteret bør efterses.

For at foretage eftersyn af luftfilteret skal du se den separate motorvejledning, der kom sammen med din enhed.

Tændrøret skal renses, og afstanden genindstilles én gang i sæsonen. Det anbefales, at udskifte tændrøret i starten af hver klippesæson; se motorvejledningen angående korrekt tændrørstype og afstandsspecifikationer.

Rens jævnlige motoren med en klud eller en børste. Hold afkølingssystemet (blæserhusområdet) rent for at sikre ordentlig luftcirkulation, hvilket er essentielt for motordydelse og -levetid. Sørg for at fjerne alt græs, snavs og brandbart materiale fra lyd-dæmperområdet.

## 12. OPBEVARINGSINSTRUKTION ER (UDEN FOR SÆSONEN)

Følgende skridt bør tages for at klargøre plæneklipperen til opbevaring.

1. Tøm tanken efter sæsonens sidste klipning.
  - a) Tøm benzintanken med en pumpe.



**FORSIGTIG:** Tøm ikke benzin af i lukkede rum, i nærheden af åben ild osv. Rygning forbudt! Benzindampe kan forårsage eksplosion eller brand.

- b) Start motoren og lad den køre indtil den har opbrugt al den resterende benzin og stands.
- c) Fjern tændrøret. Brug en oliekanne til at fylde ca. 20 ml olie i forbrændingskammeret. Aktivér starteren for at fordele olien jævnt i forbrændingskammeret. Udskift tændrøret.
2. Rens og smør plæneklipperen omhyggeligt som beskrevet under "SMØREINSTRUKTIONER".
3. Påfør lidt smørelse på kniven for at forhindre rust.
4. Opbevar plæneklipperen på et tørt, rent og frostbeskyttet sted, uden for uautoriserede personers rækkevidde.



**FORSIGTIG:** Motoren skal være kølet fuldstændigt ned, inden plæneklipperen gemmes væk.

**BEMÆRK:**

Ved opbevaring af enhver type motorudstyr på et uventileret sted eller i et opbevaringsskur;

- Sørg for at rustsikre udstyret. Brug en let olie eller silikoneolie til at lægge en hinde over udstyret, især kabler og alle bevægelige dele.
- Sørg for ikke at bøje eller knække kabler.
- Hvis startsnoren løsner sig fra gennemføringen på håndtaget, skal du afbryde og jorde tændrørskablet, trykke ind på knivkontrolhåndtaget og langsomt trække startsnoren ud fra motoren. Før startsnoren ind i gennemføringsbolten på håndtaget.

**Transport**

Sluk for motoren og lad den køle af. Sæt derefter tændrørsledningen i forbindelse og tøm brændstoftanken som beskrevet i motorbrugsanvisningen. Sørg for ikke at bøje eller beskadige klingen, når du skubber plæneklipperen hen over genstande.

## 13. FEJLFINDING

PROBLEM	SANDSYNLIG ÅRSAG	AFHJÆLPNING
Motoren starter ikke.	Chokeren er ikke i den rigtige position for de aktuelle forhold.	Flyt chokeren hen på den rigtige position.
	Brændstoftanken er tom.	Fyld brændstof på tanken: se BRUGERVEJLEDNING TIL MOTOR.
	Luffilterelementet er beskidt.	Rens luffilterelementet: se BRUGERVEJLEDNING TIL MOTOR.
	Løst tændrør.	Stram tændrøret til 25 - 30 Nm.
	Tændrørskablet er løst eller afbrudt fra stikket.	Monter tændrørskablet på tændrørsstikket.
	Forkert tændrørsafstand.	Indstil afstanden mellem elektroderne på 0,7 til 0,8 mm.
	Tændrøret er defekt.	Monter et nyt tændrør med korrekt tændrørsafstand. se BRUGERVEJLEDNING TIL MOTOR.
	Karburatoren er druknet i brændstof.	Afmonter luffilterelementet og fortsæt med at trække i startsnoren indtil karburatoren renses sig selv, og monter derefter luffilterelementet.
	Defekt tændingsmodul.	Kontakt et Makita-autoriseret servicecenter.
Det er svært at starte motoren, eller den mister kraft.	Snavs, vand eller gammelt brændstof i tanken.	Tøm brændstoffet af og rens tanken. Fyld tanken med rent, frisk brændstof.
	Udluftningshullet i brændstoftankens dæksel er tilstoppet.	Rens eller udskift brændstoftankens dæksel.
	Luffilterelementet er beskidt.	Rens luffilterelementet.
Motoren kører ujævnt.	Tændrøret er defekt.	Monter et nyt tændrør med korrekt tændrørsafstand. se BRUGERVEJLEDNING TIL MOTOR.
	Forkert tændrørsafstand.	Indstil afstanden mellem elektroderne på 0,7 til 0,8 mm.
	Luffilterelementet er beskidt.	Rens luffilterelementet: se BRUGERVEJLEDNING TIL MOTOR.
Motoren går dårligt i tomgang.	Luffilterelementet er beskidt.	Rens luffilterelementet: se BRUGERVEJLEDNING TIL MOTOR.
	Luftåbningerne i motorhuset er blokeret.	Fjern affald fra åbningerne.
	Køleribber og luftpassager under motorens blæserhus er blokeret.	Fjern græsrester fra køleribber og luftpassager.
Motoren hopper ved høj hastighed.	Afstanden mellem tændrørets elektroder er for lille.	Indstil afstanden mellem elektroderne på 0,7 til 0,8 mm.
Motoren overopheder.	Gennemstrømningen af køleluft er begrænset.	Fjern eventuelle græsrester fra åbningerne i motorhuset, blæserhuset og luftpassager.
	Forkert tændrør.	For PLM4120N: Installér RC12YC eller QC12YC tændrør og køleribber på motoren. For PLM4620N: skal du montere RJ19LMC-tændrør og køleribber på motoren.
Plæneklipperen vibrerer unormalt.	Knivmontagen er løs.	Stram kniven.
	Knivmontagen er ikke afbalanceret.	Afbalancer kniven.

## 14. MILJØ

Skulle din maskine trænge til at blive udskiftet efter lang tids brug, skal den ikke bortskaffes sammen med husholdningsaffald, men bortskaffes på en miljømæssig sikker måde.

## Kun for lande i Europa

### EF-overensstemmelseserklæring

#### Makita erklærer at den/de følgende maskine(r):

Maskinens betegnelse:

Benzinplæneklipper

Modelnummer/ type: PLM4120N, PLM4620N

Specifikationer: Se "4. TEKNISKE DATA"

#### Overholder følgende europæiske direktiver:

2004/108/EF, 2006/42/EF, 2000/14/EF og 2005/88/  
EF

De er produceret i overensstemmelse med de følgende standarder eller standardiserede dokumenter:

EN ISO 5395-1, EN ISO 5395-2, EN ISO 14982

Den tekniske fil i overensstemmelse med 2006/42/EF kan fås hos:

Makita, Jan-Baptist Vinkstraat 2, 3070, Belgien

Den konformitetsvurderingsprocedure, der kræves af Direktiv 2000/14/EF, blev udført i henhold til appendiks VI.

Underrettet organ:

TÜV SÜD Industrie Service GmbH

Westendstrasse 199, D-80686 München, Tyskland

Identifikationsnummer: 0036

#### PLM4120N

Målt lydeffektniveau: 93,4 dB

Garanteret lydeffektniveau: 96 dB

#### PLM4620N

Målt lydeffektniveau: 93,6 dB

Garanteret lydeffektniveau: 96 dB

22.8.2014



Yasushi Fukaya

Direktør

Makita, Jan-Baptist Vinkstraat 2, 3070, Belgien

- |                             |                          |                        |
|-----------------------------|--------------------------|------------------------|
| 1. Πάνω λαβή                | 6. Συλλογές γρασιδιού    | 11. Τάπα λαδιού        |
| 2. Χερούλι ελέγχου διακοπής | 7. Μοχλός ρύθμισης ύψους | 12. Σφικτήρας καλωδίου |
| 3. Μοχλός βαλβίδας τσοκ     | 8. Πλατφόρμα             | 13. Κουμπί ασφάλισης   |
| 4. Χερούλι εκκινήτρια       | 9. Μπουζί                | 14. Γρήγορη ταχύτητα   |
| 5. Οδηγός σχοινοί           | 10. Τάπα καυσίμου        | 15. Αργή ταχύτητα      |



### ΠΡΟΕΙΔΟΠΟΙΗΣΗ

Για τη δική σας ασφάλεια, διαβάστε αυτό το εγχειρίδιο πριν προσπαθήσετε να θέσετε σε λειτουργία την καινούργια σας συσκευή. Αν δεν ακολουθήσετε τις οδηγίες, μπορεί να προκληθεί σοβαρός προσωπικός τραυματισμός. Αφιερώστε λίγο χρόνο για να εξοικειωθείτε με το χλοοκοπτικό πριν από κάθε χρήση. Διατηρείτε αυτό το εγχειρίδιο σε ασφαλές μέρος, για να είναι οι πληροφορίες διαθέσιμες ανά πάσα στιγμή. Αν δώσετε τον εξοπλισμό σε άλλο άτομο, δώστε και αυτές τις οδηγίες λειτουργίας αλλά και τους κανονισμούς ασφάλειας.

### Προοριζόμενη χρήση

Ο εξοπλισμός μπορεί να χρησιμοποιηθεί μόνο για τις εργασίες για τις οποίες έχει σχεδιαστεί. Οποιαδήποτε άλλη χρήση θεωρείται κακή χρήση. Ο χρήστης/χειριστής, και όχι ο κατασκευαστής, θα ευθύνεται για οποιαδήποτε ζημιά ή τραυματισμούς οποιουδήποτε είδους που προκαλούνται ως αποτέλεσμα τούτου.

Το βενζινοκίνητο χλοοκοπτικό προορίζεται για ιδιωτική χρήση, δηλ. για χρήση στο περιβάλλον του σπιτιού και του κήπου.

Η ιδιωτική χρήση του χλοοκοπτικού αναφέρεται σε ετήσιο χρόνο λειτουργίας που γενικά δεν ξεπερνάει τις 50 ώρες και, κατά το χρονικό αυτό διάστημα, το μηχάνημα χρησιμοποιείται πρωτίτως για τη συντήρηση οικιακού γρασιδιού, μικρής κλίμακας, και κήπων σπιτιού/αναψυχής. Εξαιρούνται οι δημόσιες εγκαταστάσεις, οι αθλητικές εγκαταστάσεις και οι αγροτικές/δασοκομικές εφαρμογές.

Να γνωρίζετε ότι ο εξοπλισμός μας δεν έχει σχεδιαστεί για χρήση σε εμπορικές, επαγγελματικές ή βιομηχανικές εφαρμογές. Η εγγύησή μας θα ακυρωθεί αν το μηχάνημα χρησιμοποιηθεί σε εμπορικές, επαγγελματικές ή βιομηχανικές επιχειρήσεις ή για ισοδύναμους σκοπούς. Οι οδηγίες λειτουργίας που παρέχονται από τον κατασκευαστή πρέπει να φυλάσσονται και να γίνεται αναφορά σε αυτές προκειμένου να διασφαλιστεί ότι το χλοοκοπτικό χρησιμοποιείται και συντηρείται σωστά. Οι οδηγίες περιέχουν πολύτιμες πληροφορίες για τις συνθήκες λειτουργίας, συντήρησης και σέρβις.

Σημαντικό! Εξαιτίας του υψηλού κινδύνου για πρόκληση σωματικού τραυματισμού στο χρήστη, δεν επιτρέπεται το χλοοκοπτικό να χρησιμοποιείται για το κλάδεμα θάμνων, φυλλωδών φραχτών ή βάτων, για την κοπή αναρριχητικής βλάστησης, φυτών σε ταράτσες ή γρασιδιού σε μπαλκόνια, για τον καθαρισμό (αναρρόφηση) βρομιάς και σκουπιδιών από πεζοδρόμια ή για τον τεμαχισμό αποκομμάτων δέντρων ή φυλλωδών φραχτών. Επίσης, δεν επιτρέπεται το χλοοκοπτικό να χρησιμοποιείται ως ηλεκτρικός καλλιεργητής για την ισοπέδωση προεξέχοντων περιοχών όπως λοφίσκων τυφλοπόντικων.

Για λόγους ασφαλείας, το χλοοκοπτικό δεν επιτρέπεται να χρησιμοποιείται ως μονάδα κίνησης για άλλα εργαλεία εργασίας ή κιτ εργαλείων οποιουδήποτε είδους.

## 1. ΣΥΜΒΟΛΑ ΠΟΥ ΕΙΝΑΙ ΤΥΠΩΜΕΝΑ ΣΤΟ ΠΡΟΪΟΝ (στο πίσω κάλυμμα)



Διαβάστε το εγχειρίδιο του χρήστη.



Κρατήστε μακριά τους παρευρισκόμενους.



Δώστε περισσότερη προσοχή στα χέρια και στα πόδια του χειριστή για να αποτρέψετε τον τραυματισμό.



Τοξικό ατμό. Μην το λειτουργείτε μέσα στο σπίτι.



Το καύσιμο είναι εύφλεκτο, κρατήστε μακριά τη φωτιά. Μην προσθέσετε καύσιμο όταν λειτουργεί το μηχάνημα.



Κατά την κοπή χόρτων, παρακαλώ φοράτε γυαλιά και ωτοασπίδες για την προστασία του χειριστή.



Κατά την επισκευή, παρακαλώ βγάλτε το μπουζί και επισκευάστε σύμφωνα με το εγχειρίδιο οδηγιών.



Προσοχή: Ο κινητήρας είναι ζεστός.



Αφήστε το χερούλι διακοπής για να σταματήσετε τον κινητήρα.

## 2. ΓΕΝΙΚΟΙ ΚΑΝΟΝΕΣ ΑΣΦΑΛΕΙΑΣ



**ΠΡΟΕΙΔΟΠΟΙΗΣΗ:** Όταν χρησιμοποιείτε βενζινοκίνητα εργαλεία, πάντοτε πρέπει να ακολουθείτε όλες τις βασικές προφυλάξεις για την ασφάλεια, περιλαμβανομένων αυτών που περιγράφονται στη συνέχεια, για να μειώσετε τον κίνδυνο προσωπικού τραυματισμού και/ή βλάβης της συσκευής. Διαβάστε όλες τις οδηγίες πριν τον χειρισμό αυτού του προϊόντος και κρατήστε τις για μελλοντική αναφορά.



**ΠΡΟΕΙΔΟΠΟΙΗΣΗ:** Το μηχάνημα αυτό παράγει ένα ηλεκτρομαγνητικό πεδίο κατά τη λειτουργία. Υπό ορισμένες συνθήκες αυτό το πεδίο μπορεί να προκαλέσει παρεμβολή σε ενεργά ή παθητικά εμφυτεύματα. Για την μείωση του κινδύνου του σοβαρού ή του θανατηφόρου τραυματισμού, συνιστούμε στα άτομα με ιατρικά εμφυτεύματα να συμβουλευτούν τον ιατρό τους και τον κατασκευαστή του ιατρικού εμφυτεύματος πριν από τον χειρισμό αυτού του μηχανήματος.

### Εκπαίδευση

- Διαβάστε προσεκτικά τις οδηγίες. Εξοικειωθείτε με τα χειριστήρια και την σωστή χρήση του μηχανήματος. Μάθετε πώς να σταματάτε γρήγορα τον κινητήρα.
- Χρησιμοποιήστε το χλοοκοπτικό μόνο για τον σκοπό για τον οποίο έχει σχεδιαστεί, δηλαδή για την κοπή και την συλλογή γρασιδιού. Η οποιαδήποτε άλλη χρήση μπορεί να είναι επικίνδυνη και να προκαλέσει βλάβη στο μηχάνημα. Παραδείγματα ακατάλληλης χρήσης μπορεί να περιλαμβάνουν μεταξύ άλλων τα:
  - μεταφορά ανθρώπων, παιδιών ή ζώων με το μηχάνημα,
  - χρήση του μηχανήματος ως μεταφορικού σας μέσου,
  - χρήση του μηχανήματος για έλξη ή ώθηση φορτίων,
  - χρήση του μηχανήματος για συλλογή φύλλων ή αποκομμάτων,
  - χρήση του μηχανήματος για περιποίηση φρακτών ή για την κοπή βλάστησης, εκτός από χόρτο.
  - χρήση του μηχανήματος από περισσότερα από ένα άτομο,
  - χρησιμοποίηση της λάμας σε επιφάνειες διαφορετικές από το γρασίδι.
- Ποτέ μην επιτρέψετε την χρήση του χλοοκοπτικού από παιδιά ή από άτομα που δεν γνωρίζουν αυτές τις οδηγίες. Μπορεί να υπάρχει περιορισμός όσον αφορά την ηλικία του χρήστη από την τοπική νομοθεσία.
- Ποτέ μην χρησιμοποιήσετε το χλοοκοπτικό:
  - όταν βρίσκονται κοντά άτομα, ιδιαίτερα παιδιά ή κατοικίδια ζώα,
  - εάν ο χειριστής έχει λάβει φάρμακα ή ουσίες που μπορεί να επηρεάσουν την ικανότητα αντίδρασης και συγκέντρωσης.

- Έχετε κατά νου ότι ο χρήστης ή ο χειριστής είναι υπεύθυνος για τα ατυχήματα ή τους κινδύνους που προκαλούνται στα άλλα άτομα ή στην ιδιοκτησία τους.
- Οι χειριστές πρέπει να λάβουν σωστή εκπαίδευση για τη χρήση, ρύθμιση και λειτουργία του εργαλείου, συμπεριλαμβανομένων των απαγορευμένων λειτουργιών.

### Προετοιμασία

- Κατά την κοπή του γρασιδιού πάντοτε να φοράτε ενισχυμένα παπούτσια και μακριά παντελόνια. Μην χειρίζεστε το μηχάνημα όταν δεν φοράτε παπούτσια ή όταν φοράτε ανοικτά πέδιλα.
  - Επιθεωρήστε σχολαστικά την περιοχή στην οποία θα χρησιμοποιηθεί ο εξοπλισμός και απομακρύνετε όλα τα αντικείμενα, όπως πέτρες, παιχνίδια, ξύλα και σύρματα, τα οποία μπορούν να εκσφενδονιστούν από το μηχάνημα.
  - **ΠΡΟΕΙΔΟΠΟΙΗΣΗ-** Η βενζίνη είναι πάρα πολύ εύφλεκτη.
    - αποθηκεύστε το καύσιμο σε δοχεία που είναι ειδικά σχεδιασμένα για αυτό το σκοπό;
    - ανεφοδιάστε σε εξωτερικό χώρο και να μην καπνίζετε κατά την διάρκεια του ανεφοδιασμού;
    - προσθέστε καύσιμο πριν την εκκίνηση του κινητήρα. Ποτέ να μην αφαιρέσετε την τάπα του ρεζερβουάρ καυσίμου ή να προσθέσετε βενζίνη καθώς ο κινητήρας λειτουργεί ή όταν ο κινητήρας είναι ζεστός;
    - εάν η βενζίνη χυθεί κάτω μην προσπαθήσετε να ξεκινήσετε τον κινητήρα αλλά μετακινήστε το μηχάνημα μακριά από την περιοχή αυτή και αποφύγετε να δημιουργήσετε την οποιαδήποτε πηγή ανάφλεξης έως ότου εξαλειφθούν οι ατμοί της βενζίνης;
    - επαναποθετήστε καλά όλες τις τάπες του ρεζερβουάρ καυσίμου και των δοχείων.
  - Αντικαταστήστε όλους τους σιγαστήρες που έχουν υποστεί βλάβη.
  - Πριν από την χρήση, πάντοτε να κάνετε μια οπτική επιθεώρηση για να δείτε ότι δεν έχουν φθαρεί ή έχουν πάθει βλάβη οι λάμες, τα μπουλόνια των λαμών, και το συγκρότημα του κόφτη. Αντικαταστήστε ταυτόχρονα όλες τις λάμες και τα μπουλόνια που έχουν υποστεί φθορά ή ζημιά, για να διατηρήσετε την ζυγοστάθμιση.
  - Να πραγματοποιείτε τακτικούς ελέγχους για να διασφαλίσετε ότι όλες οι αλληλασφαλισίες εκκίνησης και τα χειριστήρια παρουσίας χειριστή λειτουργούν σωστά.
- ### Λειτουργία
- Μην λειτουργήσετε τον κινητήρα σε ένα περιορισμένο χώρο όπου μπορούν να συγκεντρωθούν οι επικίνδυνοι ατμοί του μονοξειδίου του άνθρακα.
  - Μην χρησιμοποιείτε το μηχάνημα όταν είσαστε κουρασμένοι, άρρωστοι ή υπό την επήρεια αλκοόλ ή άλλων ναρκωτικών ουσιών.
  - Προειδοποίηση! Μην χρησιμοποιείτε το χλοοκοπτικό όταν υπάρχει κίνδυνος κεραυνών.
  - Συνιστάται να περιορίσετε τη διάρκεια της λειτουργίας, προκειμένου να ελαχιστοποιήσετε τους κινδύνους από το θόρυβο και τις δονήσεις.



- Προσέχετε όταν χρησιμοποιείτε το χλοοκοπτικό σε κατηγορίες ή κοντά σε απότομες κλίσεις, χαντάκια ή αναχώματα.
  - Να κόβετε το γρασίδι μόνο κατά τη διάρκεια της ημέρας ή όταν υπάρχει επαρκής τεχνητός φωτισμός.
  - Όπου είναι εφικτό, αποφεύγετε να χρησιμοποιείτε την συσκευή σε υγρό γρασίδι.
  - Πάντοτε να κρατάτε καλό βηματισμό στις πλαγιές.
  - Περπατάτε, ποτέ να μην τρέχετε.
  - Με τα τροχοφόρα περιστροφικά μηχανήματα, κόβετε το γρασίδι κατά πλάτος των επικλινών εδαφών, ποτέ πάνω και κάτω.
  - Να δίνετε μεγάλη προσοχή κατά την αλλαγή διεύθυνσης σε επικλινή εδάφη.
  - Μην κόβετε γρασίδι σε εδάφη με υπερβολικά μεγάλη κλίση.
  - Δώστε μεγάλη προσοχή όταν κάνετε αναστροφή ή όταν τραβάτε το χλοοκοπτικό προς το μέρος σας.
  - Σταματήστε τη λάμα(ες) εάν στο χλοοκοπτικό πρόκειται να δοθεί κλίση για να μεταφερθεί πάνω από επιφάνειες στις οποίες δεν υπάρχει γρασίδι, καθώς επίσης και κατά την μετακίνηση του χλοοκοπτικού από και προς την περιοχή στην οποία θα κοπεί το γρασίδι.
  - Ποτέ να μην λειτουργείτε το χλοοκοπτικό με ελαττωματικούς προφυλακτήρες ή χωρίς να είναι τοποθετημένες οι συσκευές ασφαλείας, για παράδειγμα οι εκτροπείς και/ή οι συλλέκτες γρασιδιού.
  - Προσοχή: Το χλοοκοπτικό δεν πρέπει να θεθεί σε λειτουργία χωρίς να βρίσκεται στη θέση του ολόκληρος ο συλλογέας γρασιδιού ή το αυτοκλεινόμενο προστατευτικό ανοίγματος εκκένωσης.
  - Μην αλλάξετε τις ρυθμίσεις του ρυθμιστή του κινητήρα ή μην αυξήσετε υπερβολικά την ταχύτητα του κινητήρα.
  - Μην τροποποιείτε και μην παραβιάζετε οποιαδήποτε σφραγισμένη ρύθμιση για το χειριστήριο στροφών κινητήρα.
  - Δεν πρέπει να παραβιάζετε ή να απενεργοποιείτε τα συστήματα ή χαρακτηριστικά ασφαλείας του χλοοκοπτικού.
  - Απεμπλέξτε όλες τις λάμες και τους συμπλέκτες μετάδοσης κίνησης πριν ξεκινήσετε τον κινητήρα.
  - Ξεκινήστε τον κινητήρα προσεκτικά σύμφωνα με τις οδηγίες και με τα πόδια σας μακριά από τη λάμα(ες).
  - Μην δώσετε κλίση στο χλοοκοπτικό κατά την εκκίνηση του κινητήρα.
  - Μην ξεκινάτε τον κινητήρα όταν στέκεστε μπροστά από το στόμιο εκφόρτισης.
  - Μην βάλετε τα χέρια σας ή τα πόδια σας κοντά ή κάτω από τα περιστρεφόμενα μέρη. Κρατηθείτε πάντοτε μακριά από τα στόμια εκφόρτισης.
  - Ποτέ να μην σηκώσετε ή μεταφέρετε το χλοοκοπτικό όταν λειτουργεί ο κινητήρας.
  - Σταματήστε τον κινητήρα και αποσυνδέστε το καλώδιο του μπουζί, βεβαιωθείτε ότι όλα τα κινούμενα μέρη έχουν σταματήσει εντελώς, καθώς επίσης όπου υπάρχει τοποθετημένο κλειδί αφαιρέστε το:
    - πριν από τα ξεμπλοκαρίσματα ή από τον καθαρισμό του στομίου;
    - πριν από τον έλεγχο, τον καθαρισμό ή την εκτέλεση εργασίας πάνω στο χλοοκοπτικό;
    - μετά από το κτύπημα ενός ξένου αντικειμένου. Επιθεωρήστε το χλοοκοπτικό για την ύπαρξη ζημιών και πραγματοποιήστε τις επιδιορθώσεις πριν την επανεκκίνηση και τη χρήση του;
  - εάν το χλοοκοπτικό ξεκινήσει να δονείται με μη φυσιολογικό τρόπο (επιθεωρήστε αμέσως).
  - Σταματήστε τον κινητήρα και αποσυνδέστε το καλώδιο του μπουζί, βεβαιωθείτε ότι όλα τα κινούμενα μέρη έχουν σταματήσει εντελώς, καθώς επίσης όπου υπάρχει τοποθετημένο κλειδί αφαιρέστε το:
    - όποτε αφήνετε μόνο του το χλοοκοπτικό;
    - πριν από τον ανεφοδιασμό με καύσιμο.
  - Ελαττώστε τη ρύθμιση του γκαζιού κατά το σήσιμο του κινητήρα, καθώς επίσης όταν υπάρχει στον κινητήρα μια βαλβίδα διακοπής, διακόψτε την παροχή καυσίμου με την ολοκλήρωση της εργασίας κοπής του γρασιδιού.
  - Χρησιμοποιήστε το χλοοκοπτικό μόνο για τον σκοπό για τον οποίο έχει σχεδιαστεί, δηλαδή για την κοπή και την συλλογή γρασιδιού. Η οποιαδήποτε άλλη χρήση μπορεί να είναι επικίνδυνη και να προκαλέσει βλάβη στο μηχανήμα.
- ## Συντήρηση και αποθήκευση
- Διατηρήστε όλα τα παξιμάδια, τα μπουλόνια και τις βίδες σφικτά για να εξασφαλίσετε ότι η συσκευή βρίσκεται σε ασφαλή κατάσταση λειτουργίας.
  - Ποτέ μην αποθηκεύσετε τη συσκευή σε ένα κτήριο με τη βενζίνη μέσα στο ρεζερβουάρ, όπου οι αναθυμιάσεις μπορεί να φτάσουν σε μια γυμνή φλόγα ή σε σπινθήρα.
  - Αφήστε τον κινητήρα να κρυώσει πριν την αποθήκευση στον οποιοδήποτε κλειστό χώρο. Καθαρίστε και συντηρήστε το χλοοκοπτικό πριν από την αποθήκευση.
  - Για να ελαττώσετε τον κίνδυνο πρόκλησης πυρκαγιάς, διατηρήστε τον κινητήρα, τον σιγαστήρα, το διαμέρισμα της μπαταρίας και την περιοχή φύλαξης της βενζίνης καθαρά από γρασίδι, φύλλα ή υπερβολικό γράσο.
  - Ελέγχετε τακτικά το συλλογέα γρασιδιού για την ύπαρξη φθοράς ή επιδεινώσης της λειτουργίας.
  - Για ασφάλεια αντικαθιστάτε τα φθαρμένα ή κατεστραμμένα εξαρτήματα.
  - Αν πρέπει να αποστραγγιστεί το ρεζερβουάρ καυσίμου, η ενέργεια αυτή πρέπει να γίνει σε εξωτερικό χώρο.
  - Η λανθασμένη συντήρηση, η χρήση συστατικών αντικατάστασης χωρίς συμμόρφωση ή η αφαίρεση ή η τροποποίηση των συστατικών ασφαλείας μπορούν να προκαλέσουν ζημιά στο χλοοκοπτικό και να τραυματίσουν σοβαρά τους χειριστές.
  - Να χρησιμοποιείτε μόνο τις λάμες και ανταλλακτικά που συνιστώνται από τον κατασκευαστή. Η χρήση μη γνήσιων ανταλλακτικών μπορεί να προκαλέσει ζημιά στο μηχανήμα και να τραυματίσει τους χειριστές. Να διατηρείτε το χλοοκοπτικό σε καλή λειτουργική κατάσταση.
  - Αν δεν λειτουργεί η διάταξη διακοπής της λάμας, επικοινωνήστε με το κέντρο σέρβις για βοήθεια.
- ## Μεταφορά και χειρισμός
- Κάθε φορά που γίνεται χειρισμός, ανύψωση, μεταφορά ή κλίση του μηχανήματος θα πρέπει να:
    - φοράτε ανθεκτικά γάντια εργασίας,
    - πηάνετε το μηχανήμα στα σημεία που προσφέρουν ασφαλή λαβή, λαμβάνοντας υπόψη το βάρος και την κατανομή του,
    - χρησιμοποιήστε ένα κατάλληλο αριθμό ατόμων για το βάρος του μηχανήματος και για τα χαρακτηριστικά του οχήματος ή για την τοποθεσία όπου θα τοποθετηθεί ή αποθηκευτεί.

- Κατά την μεταφορά, δέστε το μηχάνημα με ασφάλεια χρησιμοποιώντας σχοινιά ή αλυσίδες.



**ΠΡΟΕΙΔΟΠΟΙΗΣΗ:** Μην αγγίζετε την περιτρεφόμενη λάμα.



**ΠΡΟΕΙΔΟΠΟΙΗΣΗ:** Ανεφοδιάστε σε μια καλά αεριζόμενη περιοχή με τον κινητήρα σταματημένο.

## 4. ΤΕΧΝΙΚΑ ΔΕΔΟΜΕΝΑ

Μοντέλο	PLM4120N	PLM4620N
Τύπος κινητήρα	Σειρά B&S 500E	Σειρά B&S 625E
Αυτοπροώθηση	Όχι	Όχι
Εκτόπισμα κινητήρα	140 cm <sup>3</sup>	190 cm <sup>3</sup>
Ονομαστική ισχύς	1,9 kW	2,4 kW
Πλάτος λάμας	410 mm	460 mm
Ταχύτητα ρελαντί	2.800/min	2.800/min
Χωρητικότητα ρεζερβουάρ καυσίμου	0,8L	1,0L
Χωρητικότητα ρεζερβουάρ λαδιού	0,47L	0,6L
Χωρητικότητα συλλογέα γρασιδιού	50L	60L
Καθαρό βάρος	26,0 kg	31,1 kg
Ρύθμιση ύψους	25 – 70 mm, 5 ρύθμιση	25 – 70 mm, 5 ρύθμιση
Εγγυημένη στάθμη ηχητικής ισχύος στη θέση του χειριστή (Σύμφωνα με τα πρότυπα EN ISO 5395-1 Παράρτημα F και EN ISO 5395-2, EN ISO 4871)	84,6dB(A) (K = 3dB(A))	83,5dB(A) (K = 3dB(A))
Μετρούμενη στάθμη ηχητικής ισχύος	93,4dB(A) K=1,93dB(A)	93,6dB(A) K=2,47dB(A)
Εγγυημένη στάθμη ηχητικής ισχύος (Σύμφωνα με το 2000/14/ΕΚ)	96dB(A)	96dB(A)
Κραδασμός (Σύμφωνα με τα πρότυπα EN ISO 5395-1 Παράρτημα G και EN ISO 5395-2)	5,27 m/s <sup>2</sup> K=1,5m/s <sup>2</sup>	5,738 m/s <sup>2</sup> K=1,5m/s <sup>2</sup>

## 5. ΣΥΝΑΡΜΟΛΟΓΗΣΗ

### 5-1 ΣΥΝΑΡΜΟΛΟΓΗΣΗ ΤΟΥ ΑΝΑΔΙΠΛΟΥΜΕΝΟΥ ΧΕΡΟΥΛΙΟΥ

- Στερεώστε τις κάτω ράβδους οδήγησης πάνω στο σώμα της μονάδος με τα δυο σαιτ που αποτελούνται από βίδα, ροδέλα και ασφαλιστικό κομπτί όπως δείχνεται. **(Εικ. 3, Εικ. 4, Εικ. 5, Εικ. 6)**
- Ελευθερώστε τις πάνω ράβδους οδήγησης για την αναδίπλωση. Συνδέστε την πάνω ράβδο οδήγησης και την κάτω ράβδο οδήγησης με τα δυο σαιτ που αποτελούνται από βίδα, ροδέλα και ασφαλιστικό κομπτί. **(Εικ. 7, Εικ. 8, Εικ. 9)**
- Τοποθετήστε όλα τα καλώδια πάνω από τους άξονες των χερουλιών. Στερεώστε τα γύρω από τη μέση των κάτω χερουλιών με τον σφιγκτήρα του καλωδίου έτσι ώστε τα καλώδια να είναι στερεωμένα στο εξωτερικό του μηχανήματος. Διαφορετικά τα καλώδια μπορεί να πιεστούν από το άνοιγμα/κλείσιμο του πίσω καλύμματος ή να τους ασκηθεί δύναμη από την αναδίπλωση του πάνω χερουλιού. **(Εικ. 10)**

## 3. ΠΕΡΙΓΡΑΦΗ ΕΞΑΡΤΗΜΑΤΩΝ (Εικ. 1 και 2)

Συμπεριλαμβάνονται

A: Κλειδί για το μπουζί

B: Σφήνα δημιουργίας υπολειμμάτων γρασιδιού

### 5-2 ΣΥΝΑΡΜΟΛΟΓΗΣΗ ΤΟΥ ΣΥΛΛΟΓΕΑ ΓΡΑΣΙΔΙΟΥ

- Για την τοποθέτηση: Αнуψώστε το πίσω κάλυμμα και κρεμάστε το συλλογέα γρασιδιού στον άξονα του πίσω μέρους του χλοοκοπτικού. **(Εικ. 11, Εικ. 12)**
- Για την αφαίρεση: Πιάστε και ανυψώστε το πίσω κάλυμμα, αφαιρέστε το συλλογέα γρασιδιού.

### 5-3 ΧΕΡΟΥΛΙ ΕΚΚΙΝΗΤΗΡΑ

Μετακινήστε το χερουλί εκκινήτηρα από τον κινητήρα προς τον οδηγό του σχοινιού. **(Εικ. 13, Εικ. 14)**

### 5-4 ΥΨΟΣ ΚΟΠΗΣ

Ασκήστε μια πίεση προς τα έξω για να αποσυνδέσετε τον μοχλό από την οδοντωτή βάση στήριξης. Μετακινήστε τον μοχλό προς τα εμπρός ή πίσω για να ρυθμίσετε το ύψος. **(Εικ. 15 και δείτε τα στοιχεία 8-8)**

## 6. ΡΥΘΜΙΣΗ ΤΟΥ ΚΑΤΑΛΛΗΛΟΥ ΥΨΟΥΣ

- 1) Ξεσφίξτε το ασφαλιστικό κουπί το οποίο στερεώνει το κάτω χερούλι. **(Εικ. 16)**
- 2) Ανατρέξτε στην **Εικ. 17**, μετακινήστε το κάτω χερούλι προς τα πάνω και προς τα κάτω, ρυθμίστε το στο κατάλληλο ύψος.  
Σε αυτόν τον τύπο του χλοοκοπτικού μπορείτε να επιλέξετε μεταξύ 3 θέσεων ρύθμισης του ύψους, στο ύψος 1, με το κάτω χερούλι προς το έδαφος είναι το υψηλότερο, το ύψος 3 είναι το χαμηλότερο.
- 3) Μετά την ρύθμιση του κατάλληλου ύψους, στερεώστε το κάτω χερούλι με τα ασφαλιστικά κουμπιά.



**ΠΡΟΕΙΔΟΠΟΙΗΣΗ:** Η αριστερή και η δεξιά πλευρά του κάτω χερουλιού πρέπει να είναι ρυθμισμένες στο ίδιο ύψος.

## 7. 2 ΣΕ 1

Η κανονική λειτουργία αυτών των χλοοκοπτικών μπορεί να τροποποιηθεί, ανάλογα με τον σκοπό της εφαρμογής: Από χλοοκοπτικό με οπίσθια εκφόρτιση και δημιουργία υπολειμμάτων γρασιδιού.

Τί σημαίνει κάλυψη εδάφους με υπολείμματα γρασιδιού; Κατά την εργασία δημιουργίας υπολειμμάτων γρασιδιού, το γρασίδι κόβεται από το μηχάνημα στο πρώτο βήμα και στη συνέχεια κόβεται ξανά σε μικρά κομμάτια και επιστρέφει πίσω στη λωρίδα του γρασιδιού στο έδαφος ως φυσικό λίπασμα. Υποδεικνύει για την εργασία δημιουργίας υπολειμμάτων γρασιδιού:

- Κανονική κοπή κατά μεγ. 2 cm από το ύψος γρασιδιού 6 cm ως 4 cm.
- Χρησιμοποιήστε ένα κοφτερό μαχαίρι.
- Μην κόβεται υπολείμματα υγρού γρασιδιού.
- Ρυθμίστε τη μέγιστη ταχύτητα του κινητήρα.
- Μετακινηθείτε μόνο με το ρυθμό εργασίας.
- Καθαρίζετε τακτικά την σφήνα δημιουργίας υπολειμμάτων γρασιδιού, την εσωτερική πλευρά του περιβλήματος και τη λάμα δημιουργίας υπολειμμάτων.

## ΕΝΑ: Τροποποίηση για χλοοκοπτικό δημιουργίας υπολειμμάτων γρασιδιού



**ΠΡΟΕΙΔΟΠΟΙΗΣΗ:** Μόνο με σταματημένο τον κινητήρα και ακίνητο τον κόφτη.

1. Ανυψώστε το πίσω κάλυμμα και αφαιρέστε τον συλλογέα γρασιδιού.
2. Σπρώξτε την σφήνα δημιουργίας υπολειμμάτων γρασιδιού μέσα στη πλατφόρμα του μηχανήματος. Ασφαλίστε την σφήνα δημιουργίας υπολειμμάτων γρασιδιού με το κουμπί μέσα στο άνοιγμα της πλατφόρμας. **(Εικ. 18, Εικ. 19)**
3. Χαμηλώστε ξανά το πίσω κάλυμμα.

## ΔΥΟ: Κοπή γρασιδιού με το συλλογέα γρασιδιού

1. Για κοπή γρασιδιού με το συλλογέα γρασιδιού, αφαιρέστε τη σφήνα δημιουργίας υπολειμμάτων γρασιδιού και συνδέστε το συλλογέα γρασιδιού.
2. Αφαίρεση της σφήνας δημιουργίας υπολειμμάτων γρασιδιού.
  - Ανυψώστε το πίσω κάλυμμα και αφαιρέστε τη σφήνα δημιουργίας υπολειμμάτων γρασιδιού.



**ΠΡΟΕΙΔΟΠΟΙΗΣΗ:** Μόνο με σταματημένο τον κινητήρα και ακίνητο τον κόφτη.

## 8. ΟΔΗΓΙΕΣ ΛΕΙΤΟΥΡΓΙΑΣ

### 8-1 ΠΡΙΝ ΑΠΟ ΤΗΝ ΕΚΚΙΝΗΣΗ

Προσθέστε στον κινητήρα βενζίνη και λάδι σύμφωνα με τις οδηγίες που βρίσκονται στο ξεχωριστό εγχειρίδιο του κινητήρα που παρέχεται με το χλοοκοπτικό σας. Διαβάστε προσεκτικά τις οδηγίες.



**ΠΡΟΕΙΔΟΠΟΙΗΣΗ:** Η βενζίνη είναι πάρα πολύ εύφλεκτη.

Αποθηκεύστε το καύσιμο σε δοχεία που είναι ειδικά σχεδιασμένα για αυτό το σκοπό. Ανεφοδιάστε μόνο σε εξωτερικό χώρο, πριν την εκκίνηση του κινητήρα και μην καπνίζετε κατά την διάρκεια του ανεφοδιασμού ή του χειρισμού του καυσίμου. Ποτέ να μην αφαιρέσετε την τάπα του ρεζερβουάρ καυσίμου ή να προσθέσετε βενζίνη καθώς ο κινητήρας λειτουργεί ή όταν ο κινητήρας είναι ζεστός. Εάν η βενζίνη χυθεί κάτω μην προσπαθήσετε να ξεκινήσετε τον κινητήρα αλλά μετακινήστε το μηχάνημα μακριά από την περιοχή αυτή και αποφύγετε να δημιουργήσετε την οποιαδήποτε πηγή ανάφλεξης έως ότου εξαλειφθούν οι αιτίες της βενζίνης. Επαναποθετήστε καλά όλες τις τάπες του ρεζερβουάρ καυσίμου και των δοχείων. Πριν δώσετε κλίση το χλοοκοπτικό για την συντήρηση της λάμας ή την αποστράγγιση του λαδιού, αφαιρέστε το καύσιμο από το ρεζερβουάρ.



**ΠΡΟΕΙΔΟΠΟΙΗΣΗ:** Ποτέ να μην γεμίσετε το ρεζερβουάρ με καύσιμο σε εσωτερικό χώρο, με τον κινητήρα σε λειτουργία ή εάν ο κινητήρας δεν έχει αφεθεί να κρυώσει για τουλάχιστον 15 μετά την λειτουργία του.

### 8-2 ΓΙΑ ΝΑ ΞΕΚΙΝΗΣΕΤΕ ΤΟΝ ΚΙΝΗΤΗΡΑ ΚΑΙ ΝΑ ΛΕΙΤΟΥΡΓΗΣΕΙ Η ΛΑΜΑ

1. Η συσκευή είναι εφοδιασμένη με μια επένδυση από ελαστικό πάνω στο άκρο του μπουζι, βεβαιωθείτε ότι ο μεταλλικός βρόγχος στο άκρο του καλωδίου του μπουζι (μέσα στην ελαστική επένδυση) είναι στερεωμένος σωστά πάνω στο μεταλλικό άκρο του μπουζι.
2. Πιέστε το βολβό πλήρωσης 3-5 φορές πριν την εκκίνηση του κινητήρα. **(Εικ. 20)**
3. Κατά την εκκίνηση ενός κρύου κινητήρα, στρέψτε τον μοχλό του τσοκ στη θέση "Σ". Κατά την εκκίνηση

ενός ζεστού κινητήρα και τη λειτουργία του, στρέψτε το μοχλό του τσοκ στη θέση "εξ/ε". (Εικ. 21)

4. Στέκοντας πίσω από τη συσκευή, πιάστε το χερούλι ελέγχου διακοπής και κρατήστε το έναντι του πάνω χερούλιού όπως δείχνεται στην **Εικ. 22**.
5. Πιάστε το χερούλι εκκίνησης όπως δείχνεται στη **Εικ. 22** και τραβήξτε το γρήγορα. Επιστρέψτε το αργά στο μπουλόνι του οδηγού του σχοινού αφότου ξεκινήσει ο κινητήρας. Αφήστε το χερούλι ελέγχου διακοπής για να σταματήσετε τον κινητήρα και τη λάμα.



Ξεκινήστε τον κινητήρα προσεκτικά σύμφωνα με τις οδηγίες και με τα πόδια σας μακριά από τη λάμα.



Μην δώσετε κλίση στο χλοοκοπτικό κατά την εκκίνηση του κινητήρα. Ξεκινήστε το χλοοκοπτικό σε μια επίπεδη επιφάνεια, εκεί όπου δεν υπάρχει γρασιδί ή άλλα εμπόδια.



Μην πλησιάζετε τα χέρια και τα πόδια σας στα περιστρεφόμενα μέρη. Μην ξεκινάτε τον κινητήρα όταν στέκεστε μπροστά από το στόμιο εκφόρτισης.

### 8-3 ΔΙΑΔΙΚΑΣΙΕΣ ΛΕΙΤΟΥΡΓΙΑΣ

Κατά τη λειτουργία, κρατήστε το χερούλι ελέγχου διακοπής γερά με τα δυο σας χέρια.



**Σημείωση:** Κατά τη λειτουργία, όταν ελευθερώσετε το χερούλι ελέγχου διακοπής, θα σταματήσει ο κινητήρας και κατά συνέπεια θα σταματήσει να λειτουργεί το χλοοκοπτικό.



**ΠΡΟΕΙΔΟΠΟΙΗΣΗ!** Προκειμένου να αποφευχθεί τυχόν αβέλγη εκκίνηση του χλοοκοπτικού, αυτό παρέχεται εξοπλισμένο με φρένο κινητήρα, το οποίο πρέπει να τραβήξετε προς τα πίσω για να είναι δυνατή η εκκίνηση του κινητήρα. Όταν αφήνετε το μοχλό ελέγχου του κινητήρα, πρέπει να το επιστρέψετε στην αρχική του θέση και, στο σημείο αυτό, ο κινητήρας σβήνει αυτόματα.



**Σημείωση:** Φρένο κινητήρα (χερούλι φρένου): Χρησιμοποιήστε το μοχλό για να σταματήσετε τον κινητήρα. Όταν αφήνετε το μοχλό, ο κινητήρας και η λάμα σταματούν αυτόματα. Για κούρεμα, κρατήστε το μοχλό στη θέση εργασίας. Πριν ξεκινήσετε το κούρεμα, ελέγξτε το μοχλό έναρξης/διακοπής αρκετές φορές για να βεβαιωθείτε ότι λειτουργεί σωστά. Βεβαιωθείτε ότι το καλώδιο τάνυσης λειτουργεί ομαλά (δηλ. δεν είναι πιασμένο ή συστραμμένο με οποιονδήποτε τρόπο).

### 8-4 ΓΙΑ ΝΑ ΣΤΑΜΑΤΗΣΕΤΕ ΤΟΝ ΚΙΝΗΤΗΡΑ



**ΠΡΟΣΟΧΗ:** Η λάμα συνεχίζει να περιστρέφεται για μερικά δευτερόλεπτα μετά την απενεργοποίηση του κινητήρα.

1. Αφήστε το χερούλι ελέγχου διακοπής για να σταματήσετε τον κινητήρα και τη λάμα.
2. Αποσυνδέστε και γειώστε το καλώδιο του μπουζι σύμφωνα με τις οδηγίες στο ξεχωριστό εγχειρίδιο οδηγιών του κινητήρα για να αποτρέψετε την εκκίνηση της συσκευής όταν την αφήνετε χωρίς επίβλεψη.

### 8-5 ΓΙΑ ΒΕΛΤΙΣΤΑ ΑΠΟΤΕΛΕΣΜΑΤΑ ΚΑΤΑ ΤΗΝ ΚΟΠΗ ΓΡΑΣΙΔΙΟΥ

Καθαρίστε την πρασιά από τα σκουπίδια. Βεβαιωθείτε ότι στην πρασιά δεν υπάρχουν πέτρες, ξύλα, καλώδια ή άλλα ξένα αντικείμενα τα οποία μπορούν να εκτοξευτούν προς τα έξω από το χλοοκοπτικό προς οποιαδήποτε κατεύθυνση και να προκαλέσουν σοβαρό προσωπικό τραυματισμό στο χειριστή και στα άλλα άτομα καθώς επίσης και την πρόκληση φθοράς στην περιουσία και στα τριγύρω αντικείμενα. Μην κόβετε υγρό γρασιδί. Για την αποτελεσματική κοπή γρασιδιού μην κόβετε το γρασιδί όταν είναι υγρό επειδή έχει την τάση να κολλάει στο κάτω μέρος της πλατφόρμας του μηχανήματος και με τον τρόπο αυτό αποτρέπεται η κατάλληλη κοπή των κομματιών του γρασιδιού. Να κόβετε όχι περισσότερο από το 1/3 του ύψους του γρασιδιού.

Το συνιστάμενο ύψος κοπής γρασιδιού είναι το 1/3 του ύψους του γρασιδιού. Η ταχύτητα του εδάφους πρέπει να προσαρμόζεται ώστε τα κομμάτια να διασπείρονται ομοιόμορφα στην πρασιά. Για μια κοπή με ιδιαίτερο βαρύ φορτίο που απαντάται στο πυκνό γρασιδί, μπορεί να είναι απαραίτητη η χρήση μιας πιο αργής ταχύτητας έτσι ώστε να έχετε μια αποτελεσματική κοπή του γρασιδιού. Όταν πρόκειται για γρασιδί που έχει μεγάλο ύψος ενδοχομένου να απαιτείται η κοπή της πρασιάς σε δυο φάσεις, χαμηλώνοντας τη λάμα για άλλο 1/3 του μήκους για την δεύτερη κοπή και ίσως με διαφορετικό τρόπο από αυτόν που χρησιμοποιήθηκε στην πρώτη φορά.

Η μικρή επικάλυψη της κοπής με το κάθε πέρασμα θα βοηθήσει επίσης στην αφαίρεση των οποιονδήποτε ξεχασμένων κομματιών που έμειναν στην πρασιά. Το χλοοκοπτικό θα πρέπει πάντοτε να λειτουργεί στην πλήρη ταχύτητά του για να επιτευχθεί το βέλτιστο αποτέλεσμα και για να μπορεί να εκτελέσει την πιο αποτελεσματική κοπή γρασιδιού. Καθαρίστε το κάτω μέρος της πλατφόρμας.

Φροντίστε να καθαρίσετε το κάτω μέρος της πλατφόρμας κοπής του μηχανήματος μετά από κάθε χρήση για να αποφευχθεί η συσσώρευση γρασιδιού, η οποία μπορεί να αποτρέψει την κατάλληλη κοπή υπολειμμάτων.

Τεμαχισμός φύλλων: Ο τεμαχισμός των φύλλων μπορεί επίσης να είναι ευεργετική για την πρασιά σας. Κατά τον τεμαχισμό των φύλλων, φροντίστε ώστε να είναι ξηρά και να μην είναι πολύ πυκνά πάνω στην πρασιά. Μην περιμένετε να πέσουν όλα τα φύλλα από τα δέντρα για να αρχίσετε την κοπή τους.



**ΠΡΟΕΙΔΟΠΟΙΗΣΗ:** Αν χτυπήσετε κάποιον ξένο αντικείμενο, σταματήστε τον κινητήρα. Αφαιρέστε το καλώδιο από το μπουζι, ελέγξτε καλά το χλοοκοπτικό για την ύπαρξη ζημιάς και επισκευάστε την πριν ξεκινήσετε ξανά την λειτουργία του χλοοκοπτικού. Η υπερβολική δόνηση του χλοοκοπτικού κατά τη λειτουργία αποτελεί ένδειξη ζημιάς. Η συσκευή θα πρέπει να επιθεωρηθεί άμεσα και να επισκευαστεί.

## 8-6 ΣΥΛΛΟΓΕΑΣ ΓΡΑΣΙΔΙΟΥ

Αδειάστε και καθαρίστε το σάκο, φροντίστε ώστε να είναι καθαρός και διασφαλίστε ότι είναι δυνατός ο αερισμός από τους πόρους. **(Εικ. 23)**

## 8-7 ΠΛΑΤΦΟΡΜΑ

Το κάτω μέρος της πλατφόρμας του χλοοκοπτικού πρέπει να είναι καθαρό μετά από την κάθε χρήση για την αποτροπή συσσώρευσης κομματιών γρασιδιού, φύλλων, βρωμιάς ή άλλου υλικού. Η συσσώρευση αυτών των σκουπιδιών, θα προκαλέσει σκουριά και διάβρωση καθώς επίσης και πιθανώς να αποτρέψει την κατάλληλη δημιουργία των υπολειμμάτων γρασιδιού. Ο καθαρισμός του δαπέδου μπορεί να γίνει δίνοντας μια κλίση στο χλοοκοπτικό και ξύνοντας το με ένα κατάλληλο εργαλείο (φροντίστε ώστε να είναι αποσυνδεδεμένο το καλώδιο του μπουζί).

## 8-8 ΟΔΗΓΙΕΣ ΡΥΘΜΙΣΗΣ ΥΨΟΥΣ



**ΠΡΟΣΟΧΗ:** Μην προσπαθήσετε να κάνετε τις οποιεσδήποτε ρυθμίσεις στο χλοοκοπτικό χωρίς πρώτα να σταματήσετε τον κινητήρα και να αποσυνδέσετε το καλώδιο του μπουζί.



**ΠΡΟΣΟΧΗ:** Πριν αλλάξετε το ύψος της κοπής γρασιδιού, σταματήστε το χλοοκοπτικό και αποσυνδέστε το καλώδιο του μπουζί. Το χλοοκοπτικό σας είναι εφοδιασμένο με ένα κεντρικό μοχλό ρύθμισης του ύψους που διαθέτει 5 διαβαθμίσεις του ύψους.

1. Πριν αλλάξετε το ύψος της κοπής του χλοοκοπτικού, σταματήστε το και αποσυνδέστε το καλώδιο του μπουζί.
2. Ο κεντρικός μοχλός ρύθμισης του ύψους που διαθέτει 5 διαφορετικές διαβαθμίσεις του ύψους.
3. Για να αλλάξετε το ύψος της κοπής, πιέσετε το μοχλό ρύθμισης προς τον τροχό και μετακινήστε τον επάνω ή κάτω για να επιλέγετε το ύψος **(Εικ. 24)**. Όλοι οι τροχοί πρέπει να βρίσκονται στο ίδιο ύψος κοπής.

## 9. ΟΔΗΓΙΕΣ ΣΥΝΤΗΡΗΣΗΣ

### ΜΠΟΥΖΙ

Χρησιμοποιήστε μόνο αυθεντικό ανταλλακτικό μπουζί. Για βέλτιστα αποτελέσματα, αντικαταστήστε το μπουζί κάθε 100 ώρες λειτουργίας. (ανατρέξτε στο ΕΓΧΕΙΡΙΔΙΟ ΚΙΝΗΤΗΡΑ ΙΔΙΟΚΤΗΤΗ)

### ΤΑΚΑΚΙΑ ΦΡΕΝΩΝ

Ελέγξτε ή/και αντικαταστήστε τακτικά τα τακάκια φρένων του κινητήρα σε αντιπρόσωπο σέρβις. Πρέπει να χρησιμοποιούνται μόνο γνήσια ανταλλακτικά.

## 10. ΟΔΗΓΙΕΣ ΛΙΠΑΝΣΗΣ



**ΠΡΟΣΟΧΗ:** ΑΠΟΣΥΝΔΕΣΤΕ ΤΟ ΜΠΟΥΖΙ ΠΡΙΝ ΤΗΝ ΕΝΑΡΞΗ ΤΗΣ ΕΡΓΑΣΙΑΣ ΣΥΝΤΗΡΗΣΗΣ.

1. ΤΡΟΧΟΙ-Λιπάνετε τα ρουλεμάν σε κάθε τροχό τουλάχιστον μια φορά ανά εποχή με λεπτόρρευστο λάδι.

2. ΚΙΝΗΤΗΡΑΣ-Ακολουθήστε τις οδηγίες λίπανσης του εγχειριδίου του κινητήρα.
3. ΕΛΕΓΧΟΣ ΔΙΑΚΟΠΗΣ-Λιπάνετε τα σημεία περιστροφής πάνω στο χερούλι ελέγχου διακοπής και το καλώδιο του τουλάχιστον μια φορά ανά εποχή με λεπτόρρευστο λάδι. Το χειριστήριο διακοπής πρέπει να λειτουργεί ελεύθερα προς όλες τις διευθύνσεις.

## 11. ΚΑΘΑΡΙΣΜΟΣ



**ΠΡΟΣΟΧΗ:** Μην καταβρέχετε τον κινητήρα με λάστιχο. Το νερό μπορεί να προκαλέσει ζημιά στον κινητήρα ή να ρυπάνει το σύστημα του καυσίμου.

1. Σκουπίστε τη πλατφόρμα με ένα στεγνό ύφασμα.
2. Βρέξτε κάτω από τη πλατφόρμα γέροντας το χλοοκοπτικό έτσι ώστε το μπουζί να είναι προς τα πάνω.

### 11-1 ΦΙΛΤΡΟ ΑΕΡΑ ΚΙΝΗΤΗΡΑ



**ΠΡΟΣΟΧΗ:** Μην αφήσετε τη βρωμιά ή τη σκόνη να βουλώσει τον αφρό του φίλτρου αέρα.

Το φίλτρο αέρα του κινητήρα πρέπει να συντηρείται (καθαρίζεται) μετά από 25 ώρες φυσιολογικής κοπής γρασιδιού. Το στοιχείο του φίλτρου πρέπει να συντηρείται κανονικά εάν το χορτοκοπτικό πρόκειται να χρησιμοποιηθεί υπό συνθήκες σκόνης. (ανατρέξτε στο ΕΓΧΕΙΡΙΔΙΟ ΚΙΝΗΤΗΡΑ ΙΔΙΟΚΤΗΤΗ)

### Για τον ΚΑΘΑΡΙΣΜΟ ΤΟΥ ΦΙΛΤΡΟΥ ΑΕΡΑ

1. Για το PLM4120N: Ανασηκώστε τις γλωπίδες στο πάνω μέρος του καλύμματος του φίλτρου. Για το PLM4620N: Αφαιρέστε τη βίδα.
2. Αφαιρέστε το κάλυμμα.
3. Πλύνετε το στοιχείο του φίλτρου με σαπουνόνερο. **ΜΗΝ ΧΡΗΣΙΜΟΠΟΙΗΣΤΕ ΒΕΝΖΙΝΗ!**
4. Στεγνώστε με αέρα το στοιχείο του φίλτρου.
5. Βάλτε ορισμένες σταγόνες λαδιού SAE30 πάνω στο αφρώδες φίλτρο και πιέστε το ελαφρά για να αφαιρέσετε το τυχόν παραπανίσιο λάδι.
6. Επανατοποθετήστε το φίλτρο.
7. Κλείστε το κάλυμμα φίλτρου.



**ΣΗΜΕΙΩΣΗ:** Αντικαταστήστε το φίλτρο στην περίπτωση που ξεφτίσει, σχιστεί, καταστραφεί ή που δεν επιδέχεται καθαρισμό. **(Εικ. 25 για το PLM4120N)**

### 11-2 ΛΑΜΑ ΚΟΠΗΣ



**ΠΡΟΣΟΧΗ:** Φροντίστε να αποσυνδέσετε και να γειώσετε το καλώδιο του μπουζί πριν εκτελέσετε κάποια εργασία πάνω στη λάμα κοπής για να αποτρέψετε την τυχαία εκκίνηση του κινητήρα. Προστατεύστε τα χέρια σας χρησιμοποιώντας χοντρά γάντια ή κάποιο πανί για να πιέσετε τις λάμες κοπής.

Δώστε κλίση στο χλοοκοπτικό όπως καθορίστηκε στο ξεχωριστό εγχειρίδιο του κινητήρα. Αφαιρέστε το εξάγωνο μπουλόνι και τη φλάντζα που στηρίζουν την λάμα και το

προσαρμογέα της λάμας πάνω στον στροφαλοφόρο άξονα του κινητήρα. Αφαιρέστε τη λάμα και το προσαρμογέα από το στροφαλοφόρο άξονα.



**ΠΡΟΕΙΔΟΠΟΙΗΣΗ:** Περιοδικά να ελέγχετε τον προσαρμογέα της λάμας για ρωγμές, ειδικά εάν χτυπήσετε κάποιο ξένο αντικείμενο. Αντικαταστήστε όταν είναι απαραίτητο.

Για καλύτερα αποτελέσματα, η λάμα σας πρέπει να είναι κοφτερή. Η λάμα μπορεί να ακονιστεί ξανά αφαιρώντας την και τροχίζοντας ή λιμάρνοντας την άκρη κοπής, διατηρώντας όμως όσο το δυνατόν πλησιέστερα την αρχική της κλίση. Είναι εξαιρετικά σημαντικό η κάθε αιχμή κοπής να λαμβάνει ίσο ποσό τροχίσματος για να αποφευχθεί ο σχηματισμός μιας αζυγοστάθμητης λάμας. Η αζυγοστάθμητη λάμα θα προκαλέσει υπερβολικές δονήσεις που τελικά οδηγούν στη βλάβη του κινητήρα και του χλοοκοπτικού. Φροντίστε να ζυγοσταθμίσετε την λάμα προσεκτικά μετά το ακόνισμα. Η λάμα μπορεί να ελεγχθεί για την ζυγοστάθμισή της κοιτάζοντας την ισοροπία της πάνω σε ένα κατασβίδι με στρογγυλό άξονα. Αφαιρέστε μέταλλο από τη βαριά πλευρά μέχρι να ισοροπήσει ομοιόμορφα. **(Εικ. 26)**

Πριν την επανασυναρμολόγηση της λάμας και του προσαρμογέα της λάμας στη συσκευή, λιπαίνετε τον στροφαλοφόρο άξονα του κινητήρα και την εσωτερική επιφάνεια του προσαρμογέα της λάμας με λεπτόρρευστο λάδι. Εγκαταστήστε τον προσαρμογέα της λάμας στο στροφαλοφόρο άξονα. Ανατρέξτε στην **Εικ. 26**. Τοποθετήστε τη λάμα με τον αριθμό εξαρτήματος να βλέπει μακριά από τον προσαρμογέα. Ευθυγραμμίστε τη φλάντζα πάνω στη λάμα και εισάγετε το εξάγωνο μπουλόνι. Σφίξτε το εξάγωνο μπουλόνι στη ροπή που αναφέρονται παρακάτω.

### 11-3 ΡΟΠΗ ΣΤΕΡΕΩΣΗΣ ΛΑΜΑΣ

Το κεντρικό μπουλόνι πρέπει να σφίχτει με μια ροπή 35 - 45 Nm. Για να διασφαλιστεί η ασφαλής λειτουργία της μονάδας σας. **ΟΛΑ** τα παξιμάδια και τα μπουλόνια πρέπει να ελέγχονται περιοδικά για το σωστό σφίξιμο. Μετά από παρατεταμένη χρήση, ιδιαίτερα σε αμμώδεις συνθήκες του εδάφους, η λάμα θα φθαρεί και θα χάσει κάποιο από το αρχικό της σχήμα. Η αποτελεσματικότητά της κοπής θα μειωθεί και η λάμα πρέπει να αντικατασταθεί.

Αντικαταστήστε μόνο με μια εγκεκριμένη εργοστασιακή ανταλλακτική λάμα. Δεν ευθύνεται ο κατασκευαστής για πιθανές ζημιές που προκύπτουν από μια αζυγοστάθμητη λάμα.

Όταν αλλάζετε τη λάμα, πρέπει να χρησιμοποιήσετε τον αρχικό τύπο που σημειώνεται πάνω στη λάμα (MAKITA 263001433 για PLM4120N, MAKITA 263001451 για PLM4620N) (για παραγγελία της λάμας, επικοινωνήστε με τον τοπικό αντιπρόσωπο της περιοχής σας ή καλέστε την εταιρεία μας).



**ΠΡΟΕΙΔΟΠΟΙΗΣΗ:** Μην αγγίζετε τη περιστρεφόμενη λάμα.

### 11-4 ΚΙΝΗΤΗΡΑΣ

Ανατρέξτε στο χωριστό εγχειρίδιο του κινητήρα για οδηγίες συντήρησης του κινητήρα.

Διατηρήστε το λάδι του κινητήρα σύμφωνα με τις οδηγίες στο χωριστό εγχειρίδιο του κινητήρα που παρέχεται με τη συσκευή σας.

Διαβάστε και ακολουθήστε τις οδηγίες προσεκτικά.

Υπό κανονικές συνθήκες συντηρήστε το φίλτρο αέρα σύμφωνα με το ξεχωριστό εγχειρίδιο του κινητήρα. Καθαρίστε κάθε λίγες ώρες υπό συνθήκες υψηλής σκόνης. Η κακή απόδοση του κινητήρα και το μπουκώμα του κινητήρα συνήθως υποδηλώνει ότι φίλτρο αέρα πρέπει να καθαριστεί.

Για το καθάρισμα του φίλτρου αέρα, ανατρέξτε στο ξεχωριστό εγχειρίδιο του κινητήρα που παρέχεται με την συσκευή σας.

Το μπουζί πρέπει να καθαρίζεται και να επαναφέρεται το κενό μία φορά την εποχή. Συστήνεται η αντικατάσταση του μπουζί κατά την έναρξη της κάθε περιόδου κοπής γρασιδιού, ελέγξτε εγχειρίδιο του κινητήρα για το σωστό τύπο μπουζί και τις προδιαγραφές του κενού. Καθαρίστε τον κινητήρα τακτικά με ένα πανί ή βούρτσα. Κρατήστε το σύστημα ψύξης (χώρος στέγασης ανεμιστήρα) καθαρό για να επιτρέπεται η σωστή κυκλοφορία του αέρα που είναι απαραίτητη για την καλή απόδοση του κινητήρα και τη μεγάλη διάρκεια ζωής του. Φροντίστε να αφαιρέσετε όλο το γρασίδι, τη βρωμιά και τα καιόμενα σκουπίδια από την περιοχή του σιγαστήρα.

## 12. ΟΔΗΓΙΕΣ ΑΠΟΘΗΚΕΥΣΗΣ (ΕΚΤΟΣ ΕΠΟΧΗΣ)

Τα παρακάτω βήματα θα πρέπει να ληφθούν για την προετοιμασία του χορτοκοπτικού για την αποθήκευσή του.

1. Αδειάστε την δεξαμενή μετά την τελευταία κοπή του γρασιδιού για την εποχή.
  - a) Αδειάστε την δεξαμενή βενζίνης με μια αναρροφητική αντλία.
  - b) Ξεκινήστε τον κινητήρα και αφήστε τον να λειτουργήσει μέχρι να χρησιμοποιήσει όλη την βενζίνη και να σταματήσει.
  - c) Αφαιρέστε το μπουζί. Χρησιμοποιήστε ένα λαδιώτη για να γεμίσετε με περίπου 20 ml λαδιού τον θάλαμο καύσης. Λειτουργήστε τον κινητήρα για να διανεμηθεί ομοιόμορφα το λάδι μέσα στον θάλαμο καύσης. Επανατοποθετήστε το μπουζί.
2. Καθαρίστε και λιπάνετε προσεκτικά το χλοοκοπτικό όπως περιγράφεται στην ενότητα "ΟΔΗΓΙΕΣ ΛΙΠΑΝΣΗΣ".
3. Γρασάρετε ελαφρώς τον κόπτη για να αποτρέψετε την διάβρωση.
4. Να φυλάσσετε το χλοοκοπτικό σε ένα στεγνό, καθαρό και προστατευμένο από τον παγετό χώρο, μακριά από την πρόσβαση των παιδιών και των μη εξουσιοδοτημένων προσώπων.



**ΠΡΟΣΟΧΗ:** Ο κινητήρας θα πρέπει να αφεθεί να κρυώσει πριν την αποθήκευση του χλοοκοπτικού.



#### **ΣΗΜΕΙΩΣΗ:**

Κατά την αποθήκευση κάθε είδους μηχανοκίνητου εξοπλισμού σε μια αποθήκη με ανεπαρκή αερισμό ή σε χώρο αποθήκευσης υλικών;

- Πρέπει να λαμβάνεται μέριμνα για την προστασία του εξοπλισμού από τη σκουριά. Χρησιμοποιώντας ένα λεπτόρρευστο λάδι ή σιλικόνη, επικαλύψτε τη συσκευή, ιδιαίτερα τα καλώδια και όλα τα κινούμενα μέρη.
- Προσέξτε να μην κάμψετε ή τσακίσετε τα καλώδια.
- Αν αποσυνδεθεί το σχοινί της μίζας από το οδηγό σχοινί στο χερούλι, αποσυνδέστε και γειώστε το καλώδιο του μπουζί, πιέστε το χερούλι ελέγχου της λάμψας και τραβήξτε το σχοινί εκκίνησης αργά έξω από τον κινητήρα. Βάλτε το σχοινί του εκκινήτηρα μέσα στο μπουλόνι του σχοινιού οδηγού στο χερούλι.

#### **Μεταφορά**

Διακόψτε τη λειτουργία του κινητήρα και αφήστε τον κινητήρα να ψυχθεί. Στη συνέχεια, αποσυνδέστε το καλώδιο του μπουζί και αδειάστε το ρεζερβουάρ καυσίμου σύμφωνα με τις οδηγίες στο εγχειρίδιο κινητήρα. Φροντίστε ώστε να μην κάμψετε ούτε να προκαλέσετε βλάβη στον κόπτη κατά το σπρώξιμο του χλοοκοπτικού πάνω από εμπόδια.

### 13. ΕΠΙΛΥΣΗ ΠΡΟΒΛΗΜΑΤΩΝ

ΠΡΟΒΛΗΜΑ	ΠΙΘΑΝΗ ΑΙΤΙΑ	ΔΙΟΡΘΩΤΙΚΗ ΚΙΝΗΣΗ
Ο κινητήρας δεν ξεκινά.	Η βαλβίδα του τσοκ δεν βρίσκεται στη σωστή θέση για τις υπάρχουσες συνθήκες.	Μετακινήστε τη βαλβίδα του τσοκ στη σωστή θέση.
	Το ρεζερβουάρ καυσίμου είναι άδειο.	Γεμίστε το ρεζερβουάρ με καύσιμο: ανατρέξτε στο ΕΓΧΕΙΡΙΔΙΟ ΚΙΝΗΤΗΡΑ ΙΔΙΟΚΤΗΤΗ.
	Το φίλτρο αέρα είναι βρώμικο.	Καθαρίστε το φίλτρο αέρα: ανατρέξτε στο ΕΓΧΕΙΡΙΔΙΟ ΚΙΝΗΤΗΡΑ ΙΔΙΟΚΤΗΤΗ.
	Ξεσφιγμένο μπουζί.	Σφίξτε το μπουζί στα 25 - 30 Nm.
	Χαλαρό καλώδιο μπουζί ή αποσυνδεδεμένο από το μπουζί.	Τοποθετήστε το καλώδιο του μπουζί πάνω στο μπουζί.
	Εσφαλμένο κενό στο μπουζί.	Ρυθμίστε το κενό ανάμεσα στα ηλεκτρόδια μεταξύ 0,7 και 0,8 mm.
	Ελαττωματικό μπουζί.	Τοποθετήστε ένα καινούργιο με το σωστό διάκενο: ανατρέξτε στο ΕΓΧΕΙΡΙΔΙΟ ΚΙΝΗΤΗΡΑ ΙΔΙΟΚΤΗΤΗ.
	Το καρμπυρατέρ έχει μπουκώσει με καύσιμο.	Αφαιρέστε το φίλτρο αέρα και τραβήξτε το σχοινί της μίζας συνεχώς έως ότου καθαρίσει το καρμπυρατέρ μόνο του και τοποθετήστε ξανά το φίλτρο αέρα.
	Εσφαλμένο στοιχείο ανάφλεξης.	Επικοινωνήστε με το εξουσιοδοτημένο κέντρο εξυπηρέτησης της Makita.
Δυσκολία στην εκκίνηση του κινητήρα και απώλεια ισχύος.	Βρωμιά, νερό ή παλιό καύσιμο στο ρεζερβουάρ.	Αποστραγγίστε το καύσιμο και καθαρίστε το ρεζερβουάρ. Γεμίστε το ρεζερβουάρ με καθαρό και καινούργιο καύσιμο.
	Έχει βουλώσει η τρύπα εξαερισμού στην τάπα του ρεζερβουάρ καυσίμου.	Καθαρίστε ή αντικαταστήστε την τάπα του ρεζερβουάρ καυσίμου.
	Το φίλτρο αέρα είναι βρώμικο.	Καθαρίστε το φίλτρο αέρα.
Ο κινητήρας λειτουργεί ακανόνιστα.	Το μπουζί είναι ελαττωματικό.	Τοποθετήστε ένα καινούργιο με το σωστό διάκενο: ανατρέξτε στο ΕΓΧΕΙΡΙΔΙΟ ΚΙΝΗΤΗΡΑ ΙΔΙΟΚΤΗΤΗ.
	Εσφαλμένο διάκενο στο μπουζί.	Ρυθμίστε το διάκενο ανάμεσα στα ηλεκτρόδια μεταξύ 0,7 και 0,8 mm.
	Το φίλτρο αέρα είναι βρώμικο.	Καθαρίστε το φίλτρο αέρα: ανατρέξτε στο ΕΓΧΕΙΡΙΔΙΟ ΚΙΝΗΤΗΡΑ ΙΔΙΟΚΤΗΤΗ.
Ανεπαρκές ρελαντί του κινητήρα.	Το φίλτρο αέρα είναι βρώμικο.	Καθαρίστε το φίλτρο αέρα: ανατρέξτε στο ΕΓΧΕΙΡΙΔΙΟ ΚΙΝΗΤΗΡΑ ΙΔΙΟΚΤΗΤΗ.
	Μπλοκαρισμένα ανοίγματα αέρα στο κάλυμμα του κινητήρα.	Αφαιρέστε τα σκουπίδια από τα ανοίγματα.
	Μπλοκαρισμένα τα ψυκτικά πτερύγια και οι αεραγωγοί κάτω από το περίβλημα του φυσητήρα του κινητήρα.	Αφαιρέστε τα σκουπίδια από τα ψυκτικά πτερύγια και από τους αεραγωγούς.
Ο κινητήρας λειτουργεί ελαττωματικά στις υψηλές στροφές.	Το διάκενο μεταξύ των ηλεκτροδίων του μπουζί είναι πολύ μικρό.	Ρυθμίστε το διάκενο ανάμεσα στα ηλεκτρόδια μεταξύ 0,7 και 0,8 mm.
Ο κινητήρας υπερθερμαίνεται.	Εμποδίζεται η ροή του ψυκτικού αέρα.	Αφαιρέστε τα οποιαδήποτε σκουπίδια από τις τρύπες στο κάλυμμα, στο περίβλημα του φυσητήρα και στους αεραγωγούς.
	Λάθος μπουζί.	Για το PLM4120N, τοποθετήστε το μπουζί RC12YC ή QC12YC και τα ψυκτικά πτερύγια στον κινητήρα. Για το PLM4620N, τοποθετήστε το μπουζί RJ19LMC και τα ψυκτικά πτερύγια στον κινητήρα.
Το χλοοκοπτικό δονείται αφύσικα.	Ξεσφιγμένο το σύστημα κοπής.	Σφίξτε τη λάμα.
	Το σύστημα κοπής είναι αζυγοστάμητο.	Ζυγοσταθμίστε τη λάμα.



## 14. ΠΕΡΙΒΑΛΛΟΝ

Σε περίπτωση που υπάρχει ανάγκη αντικατάστασης του χλοοκοπτικού σας μετά από εκτεταμένη χρήση, μην το απορρίψετε με τα οικιακά απορρίμματα, αλλά απορρίψτε το με τρόπο ασφαλή για το περιβάλλον.

**Για τις ευρωπαϊκές χώρες μόνο**  
**EK – Δήλωση συμμόρφωσης**  
**Η Makita δηλώνει ότι το(α) ακόλουθο(α)**  
**μηχάνημα(τα):**

Όνομασία Μηχανήματος:  
Βενζινοκίνητο χλοοκοπτικό  
Αρ. Μοντέλου/ Τύπος: PLM4120N, PLM4620N  
Προδιαγραφές: Δείτε "4. ΤΕΧΝΙΚΑ ΔΕΔΟΜΕΝΑ"  
**Συμμορφώνονται με τις ακόλουθες Ευρωπαϊκές**  
**Οδηγίες:**  
2004/108/EK, 2006/42/EK, 2000/14/EK και 2005/88/  
EK

Κατασκευάζονται σύμφωνα με τα ακόλουθα πρότυπα ή έγγραφα τυποποίησης:

EN ISO 5395-1, EN ISO5395-2, EN ISO 14982

Το αρχείο τεχνικών στοιχείων, σύμφωνα με την Οδηγία 2006/42/EK, διατίθεται από:

Makita, Jan-Baptist Vinkstraat 2, 3070, Belgium  
(Βέλγιο)

Η διαδικασία εκτίμησης συμμόρφωσης που απαιτείται από την Οδηγία 2000/14/EK εκτελέστηκε σύμφωνα με το Παράρτημα VI.

Κοινοποιημένος Οργανισμός:

TÜV SÜD Industrie Service GmbH  
Westendstrasse 199, D-80686 München  
Deutschland (Γερμανία)  
Αριθμός αναγνώρισης: 0036

PLM4120N

Μετρημένο Επίπεδο Ηχητικής Ισχύος: 93,4 dB  
Εγγυημένο Επίπεδο Ηχητικής Ισχύος: 96 dB

PLM4620N

Μετρημένο Επίπεδο Ηχητικής Ισχύος: 93,6 dB  
Εγγυημένο Επίπεδο Ηχητικής Ισχύος: 96 dB

22.8.2014



Yasushi Fukaya  
Διευθυντής

Makita, Jan-Baptist Vinkstraat 2, 3070, Belgium (Βέλγιο)

- |                          |                        |                       |
|--------------------------|------------------------|-----------------------|
| 1. Üst tutma kolu        | 6. Çim haznesi         | 11. Yağ kapağı        |
| 2. Durdurma kontrol kolu | 7. Yükseklik ayar kolu | 12. Kablo kelepçesi   |
| 3. Jikle kolu            | 8. Altlık              | 13. Kilitleme mandalı |
| 4. Çalıştırma kolu       | 9. Buji                | 14. Yüksek devir      |
| 5. İp kılavuzu           | 10. Yakıt kapağı       | 15. Düşük devir       |

**UYARI**

Kendi güvenliğiniz için lütfen bu yeni makineyi çalıştırmaya başlamadan önce bu kılavuzu okuyun. Verilen talimatların takip edilmemesi ciddi yaralanmalara neden olabilir. Her kullanımdan önce çim biçme makinenizi tanımak için birkaç dakikanızı ayırın. Gerektiğinde kullanabilmek için bu kılavuzu güvenli bir yerde saklayın. Makineyi bir başkasına verdiğiniz takdirde bu kullanma talimatlarını ve güvenlik düzenlemelerini de makinenin yanında verin.

**Kullanım amacı**

Makine sadece tasarlandığı amaca uygun işlerde kullanılmalıdır. Başka amaçlarla kullanımı yanlış kullanım olarak değerlendirilir. Böyle bir kullanımdan kaynaklanan hasar ya da yaralanmalardan üretici değil kullanıcı/operatör sorumlu olacaktır.

Benzinli çim biçme makinesi kişisel kullanım için, yani ev ve bahçe ortamlarında kullanım için tasarlanmıştır.

Çim biçme makinesinin kişisel amaçlarla kullanılması genel olarak yılda 50 saati aşmayan bir kullanıma karşılık gelir ve bu süre boyunca makine öncelikli olarak kullanım alanı küçük ölçekli, konut çevresindeki çimlerin ve ev/hobi bahçelerinin bakımı için kullanılır. Kamusal tesisler, spor salonları ve tarım/ormancılık alanındaki uygulamalarda kullanım için tasarlanmamıştır.

Lütfen makinemizin ticari ya da endüstriyel uygulamalarda kullanım için tasarlanmadığını unutmayın. Makine ticari ya da endüstriyel işler ya da benzer amaçlar için kullanıldığı takdirde garanti geçersiz olacaktır.

Üretici tarafından sağlanan kullanım talimatları saklanmalı ve çim biçme makinesinin doğru bir şekilde kullanılması ve bakımının yapılmasını sağlamak için bu talimatlara başvurulmalıdır. Talimatlar; çalışma, bakım ve tamir koşulları hakkında değerli bilgiler içerir.

Önemli! Kullanıcının yüksek yaralanma riski olduğu için; çim biçme makinesi çalı, çit ve yabancı otları budamak, sarmaşık bitkileri kesmek, çatı katlarında ya da balkonlarda yetiştirmen çimleri kesmek, yürüyüş yollarındaki çöp ve artıkları temizlemek (aspire edilmesi) veya ağaç, çit ve dal parçalarının öğütülmesi için kullanılamaz. Çim biçme makinesi, köstebek yuvalarının düzeltilmesi gibi arazi üzerindeki pürüzleri giderme işlemlerinde de kullanılmamalıdır.

Güvenlik nedeniyle, çim biçme makinesi başka iş aletleri ya da herhangi bir alet takımı için bir tahrik ünitesi olarak kullanılmamalıdır.

## 1. ÜRÜN ÜZERİNDEKİ SİMGELER (arka kapak üzerinde)



Kullanım Kılavuzunu okuyun.



İşi olmayan kişileri uzakta tutun.



Yaralanmamak için ellerinize ve ayaklarınıza dikkat edin.



Dumanı zehirlidir; bu nedenle makineyi bina içerisinde çalıştırmayın.



Yakıt alev alabilir, bu nedenle ateşten uzak tutun. Makine çalışırken yakıt eklemeyin.



Çim biçerken, sağlığınıza korumak için koruyucu gözlük ve kulak pamuğu kullanın.



Onarım çalışmaları sırasında, bujiyi çıkartın, ardından onarımı kullanım kılavuzuna uygun şekilde gerçekleştirin.



DİKKAT: Motor sıcaktır.



Makineyi durdurmak için kolu bırakın.

## 2. GENEL GÜVENLİK KURALLARI



**UYARI:** Benzinli makineler kullanılırken ciddi yaralanma ve/veya makine hasarları risklerinin en aza indirilmesi için mutlaka aşağıda sıralanan talimatlar da dahil tüm temel güvenlik talimatları dikkate alınmalıdır. Makineyi kullanmaya başlamadan önce tüm talimatları okuyun ve daha sonra başvurmak üzere saklayın.



**UYARI:** Bu makine, çalışma sırasında bir elektromanyetik alan meydana getirir. Bazı koşullarda bu alan aktif veya pasif tıbbi implantlarla karışabilmektedir. Ciddi yaralanma ve ölümlü riskini azaltmak için, tıbbi implantları olan kişilerin bu makineyi çalıştırmadan önce doktorlarına ve tıbbi implant üreticilerine danışmalarını öneriyoruz.

### Eğitim

- Talimatları dikkatli bir şekilde okuyun. Kontrolleri ve makinenin güvenli kullanımını hakkında bilgi sahibi olun. Motoru hızlı bir şekilde nasıl durduracağınızı öğrenin.
- Çim biçme makinesini yalnızca makinenin öngörüldüğü amaçlar, yani çim kesme ve toplama işlemleri için kullanın. Başka amaçlarla kullanılması tehlikeli durumlara ve makinenin arızalanmasına yol açabilir. Yalnızca bunlarla sınırlı olmaması şartıyla, yanlış kullanım örneklerinden bazıları şunlardır:
  - insanların, çocukların veya hayvanların makine üzerinde taşınması,
  - makineyle taşıma yapılması,
  - makinenin yüklerin çekilmesi ve ittirilmesi için kullanılması,
  - makinenin yaprakların veya pisliklerin toplanması için kullanılması,
  - makinenin çit budama veya çim dışındaki bitkilerin kesilmesi için kullanılması,
  - makinenin birden fazla kişi tarafından kullanımı,
  - biçimin çim dışındaki yüzeylerde kullanılması.
- Çocukların veya bu talimatları bilmeyen kişilerin çim biçme makinesini kullanmasına izin vermeyin. Bazı ülkelerde kullanıcı yaşını sınırlandıran yönetmelikler yürürlükte olabilir.
- Çim biçme makinesini kesinlikle şu durumlarda kullanmayın:
  - yakınızda insanların, özellikle de çocuklar veya evcil hayvanlar varsa,
  - operatör, konsantrasyon kabiliyetini etkileyebilecek bir ilaç veya başka bir madde aldıysa.
- Yaralanmalar veya mal kayıplarıyla sonuçlanan kazalardan veya tehlikelerden tek başına operatörün veya kullanıcının sorumlu olacağına dikkat edin.
- Operatör kullanım, ayarlama ve makinenin işleyişi konusunda ve yasaklanan kullanımlar hakkında yeterli eğitimi almış olmalıdır.

### Hazırlık

- Çim biçerken daima sağlam ayakkabılar ve uzun pantolonlar giyin. Makineyi kesinlikle çıplak ayakla veya ayağınızda terlik veya sandalet varken çalıştırmayın.
- Makinenin kullanılabileceği alanı dikkatlice kontrol edin ve makine tarafından fırlatılabilecek taş, oyuncak, dal ya da tel gibi nesnelere kaldırın.
- UYARI- Benzin yüksek derecede tutuşabilir bir sıvıdır.
  - yakıtı bu amaçla özel olarak tasarlanmış konteynerlerde saklayın;
  - yalnızca açık havada yakıt doldurun ve yakıt doldururken sigara içmeyin;
  - yakıtı motoru çalıştırmadan önce doldurun. Motor çalışırken veya motor hala sıcakken kesinlikle yakıt deposu kapağını açmayın veya yakıt doldurmayın;
  - etrafa benzin dökülürse, motoru çalıştırmayın, makineyi benzinin döküldüğü alandan uzak bir yere taşıyın ve benzin buharı dağılına kadar tutuşturucu kaynakları ilgili alandan uzak tutun;
  - tüm yakıt deposu ve konteyner kapaklarını sağlam şekilde sıkın.
- Arızalı susturucuları değiştirin.
- Her kullanımdan önce mutlaka bıçakların, bıçak civatalarının ve kesici tertibatının aşınmamış ve hasarsız olduğundan emin olmak için gerekli kontrolleri gerçekleştirin. Dengenin korunması için, aşınmış veya hasar görmüş bıçakları ve civataları değiştirin.
- Tüm başlatma kilitlerinin ve operatör kontrol düğmelerinin düzgün bir şekilde çalıştığından emin olmak için düzenli aralıklarla makineyi kontrol edin.

### Çalıştırma

- Tehlikeli şekilde karbon monoksit buharı birikebileceğinden, makineyi kapalı alanlarda çalıştırmayın.
- Makineyi yorgun olduğunuzda, kendinizi hasta hissettiğinizde veya alkol ya da uyuşturucu etkisi altındayken kullanmayın.
- Uyarı! Yıldırım düşmesi riski varken çim biçme makinesini kullanmayın.
- Gürültü ve vibrasyondan kaynaklanan riskleri asgariye indirmek için çalışma sürelerinin kısıtlanması tavsiye edilir.
- Çim biçme makinesini eğimli arazilerde, yamaç yakınlarında, çukur ya da toprak dolgu alanlarda kullanırken dikkatli olun.
- Çim biçme makinesini yalnızca gün ışığında veya iyi bir aydınlatmayla çalıştırın.
- Mümkünse, makineyi ıslak çimlerde kullanmaktan kaçının.
- Eğimlerde mutlaka yere sağlam ve dengeli basın.
- Makineyi yürüyerek çalıştırın ve kesinlikle koşmayın.
- Tekerlekli makineler ile eğimli arazide çim biçerken, eğime dik şekilde çalışın, kesinlikle aşağı veya yukarı yürüyerek çalışmayın.
- Eğimli arazide çalışma yönünüzü değiştirirken çok dikkatli olun.
- Çim biçme makinesini aşırı derecede dik eğimli arazide kullanmayın.
- Çim biçme makinesinin yönünü değiştirirken veya kendinize doğru çekerken çok dikkatli olun.

- Çim dışındaki alanlardan geçerken çim biçme makinesinin yatırılması gerekiyorsa ve çim biçme makinesinin biçilecek alana veya biçilecek alandan taşınması sırasında bıçağı (bıçakları) durdurun.
- Muhafazaları hasarlı veya emniyet cihazları, örneğin deflektörleri ve/veya çim hazneleri yerinde olmayan çim biçme makinelerini kesinlikle çalıştırmayın.
- Dikkat: Çim biçme makinesi, çim yakalayıcı tam olarak takılmadan ya da kendiliğinden kapanan deşarj açıklığı kılavuzu olmadan kullanılmamalıdır.
- Motor kontrol ayarlarını değiştirmeyin ve motoru çok yüksek devirde çalıştırmayın.
- Motor hızını kontrol etmek için sabitlenmiş ayarlar üzerinde değişiklik yapmayın, bu ayarlarla uğraşmayın.
- Çim biçme makinesi güvenlik sistemleri ya da özellikleri ile uğraşılmalı ve bu sistemler devre dışı bırakılmamalıdır.
- Motoru çalıştırmadan önce tüm bıçak ve tahrik kavramalarını çıkartın.
- Motoru ayaklarınız bıçaktan (bıçaklardan) uygun uzaklıktayken talimatlara uygun ve dikkatli bir şekilde çalıştırın.
- Motoru çalıştırırken çim biçme makinesini yatırmayın.
- Deşarj oluşunun önünde duruyorken, motoru çalıştırmayın.
- Ellerinizi ve ayaklarınızı hareketli parçalardan uzak tutun. Deşarj açıklığını her zaman temiz tutun.
- Motor çalışırken, çim biçme makinesini kesinlikle kaldırmayın veya taşımayın.
- Motoru durdurun, buji telinin bağlantısını kesin ve tüm hareketli parçaların tamamen durduğundan emin olun ve varsa, takılı olan anahtarları çıkartın:
  - tıkanıklıkları veya oluktaki birikmeyi temizlemeye başlamadan önce;
  - çim biçme makinesini kontrol etmeye, temizlemeye veya üzerinde herhangi bir işlem yapmaya başlamadan önce;
  - yabancı bir nesneye çarpıldığında. Aşağıdaki durumlarda çim biçme makinesinde hasar olup olmadığını kontrol edin ve makineyi yeniden başlatmadan ve çalıştırmadan önce gerekli onarımları yaptırın;
  - çim biçme makinesi anormal derecede titreşimli çalışıyorsa (derhal kontrol edin).
- Motoru durdurun, buji telinin bağlantısını kesin ve tüm hareketli parçaların tamamen durduğundan emin olun ve varsa, takılı olan anahtarları çıkartın:
  - çim biçme makinesinin yanından ayrılacağınızda;
  - yakıt doldurmadan önce.
- Motor durdurulurken klape ayarını azaltın ve motorda bir kesme vanası varsa çim biçme işleminden önce yakıtı kesin.
- Çim biçme makinesini yalnızca makinenin öngörüldüğü amaçlar, yani çim kesme ve toplama işlemleri için kullanın. Başka amaçlarla kullanılması tehlikeli durumlara ve makinenin arızalanmasına yol açabilir.
- Kapalı bir yere koymadan önce motorun soğumasını bekleyin; saklamak için kaldırmadan önce çim biçme makinesini temizleyin ve bakımını yapın.
- Yangın tehlikesini düşürmek için, motordaki, susturucudaki, akü bölümündeki ve benzin deposu alanındaki çimlileri, yaprakları veya aşırı gresi temizleyin.
- Çim haznesinde aşınma veya hasar olup olmadığını sık sık kontrol edin.
- Güvenlik nedeniyle aşınmış veya hasarlı parçaları değiştirin.
- Yakıt deposunun boşaltılması gerekiyorsa, bu işlemin dışarıda yapılması gerekir.
- Hatalı bakım, uyumsuz yedek parça kullanımı ya da güvenli bileşenlerinin çıkarılması ya da değiştirilmesi çim biçme makinesine zarar verebilir ve operatörleri ciddi şekilde yaralayabilir.
- Sadece üretici tarafından tavsiye edilen bıçakları ve yedek parçaları kullanın. Orijinal olmayan parçaların kullanımı makineye zarar verebilir ve operatörlerin yaralanmasına neden olabilir. Çim biçme makinesini iyi çalışır durumda saklayın.
- Bıçak durdurma cihazı çalışmazsa lütfen yardım için servis merkezi ile iletişim kurun.

### Taşıma ve kullanım

- Makineyi kullanırken, kaldırıırken, taşırken veya yana yatırken mutlaka:
  - güçlü çalışma eldiveni takın,
  - makineyi güvenli tutuş sağlayan noktalarından tutun ve ağırlığı ve dağılımını dikkate alın,
  - makinenin ağırlığına ve makinenin yerleştirileceği veya kaldırılacağı aracın veya alanın karakteristiklerine uygun şekilde yeterli sayıda kişiyle çalışın.
- Taşıma sırasında makineyi sağlam şekilde halatlar veya zincirlerle sabitleyin.



**UYARI:** Hareketli bıçaklara dokunmayın.



**UYARI:** Yakıt doldurma işlemini iyi havalandırılan bir alanda ve motoru durdurduktan sonra gerçekleştirin.

## 3. PARÇALARIN TANIMI (Şekil 1 ve 2)

### Şunlar dahildir

- A: Buji anahtarı
- B: Malç serme aparatı

### Bakım ve saklama

- Makineyi sürekli olarak güvenli ve çalışır durumda tutmak için tüm somunların, civataların ve vidaların sağlam şekilde sıkıldığından emin olun.
- Makineyi kesinlikle yakıt deposu doluyken bir bina içerisinde saklamayın, aksi takdirde yakıt buharı açık bir alevle temas ederek yangına neden olabilir.

## 4. TEKNİK BİLGİLER

Model	PLM4120N	PLM4620N
Motor tipi	B&S 500E Serisi	B&S 625E Serisi
Otomatik Tahrikli	Hayır	Hayır
Motor Hacmi	140 cm <sup>3</sup>	190 cm <sup>3</sup>
Nominal Güç	1,9 kW	2,4 kW
Bıçak Geniřliđi	410 mm	460 mm
Rölanti Hızı	2.800/dak	2.800/dak
Yakıt Deposu Kapasitesi	0,8L	1,0L
Yađ deposu kapasitesi	0,47L	0,6L
Çim haznesi torbasının kapasitesi	50L	60L
Net Ađırlık	26,0 kg	31,1 kg
Yükseklik ayarı	25 - 70 mm, 5 kademeli	25 - 70 mm, 5 kademeli
Operatörün konumunda garantili edilen ses gücü seviyesi (EN ISO 5395-1 Ek F ve EN ISO 5395-2, EN ISO 4871 uyarınca)	84,6 dB (A) (K = 3 dB (A))	83,5 dB (A) (K = 3 dB (A))
Ölçülen ses gücü seviyesi	93,4 dB (A) K = 1,93 dB (A)	93,6 dB (A) K = 2,47 dB (A)
Garanti edilen ses gücü seviyesi (2000/14/AT uyarınca)	96 dB (A)	96 dB (A)
Vibrasyon (EN ISO 5395-1 Ek G ve EN ISO 5395-2 uyarınca)	5,27 m/s <sup>2</sup> K = 1,5 m/s <sup>2</sup>	5,738 m/s <sup>2</sup> K = 1,5 m/s <sup>2</sup>

## 5. MONTAJ

### 5-1 KATLANIR KOLUN TAKILMASI

- A) Alt tutma demirlerini aşağıda gösterildiđi gibi iki civata, pul ve kilitleme mandalı takımıyla ünite gövdesine sabitleyin. (**Şekil 3, Şekil 4, Şekil 5, Şekil 6**)
- B) Katlanabilmesi için üst tutma demirlerini serbest bırakın. Üst kolu ve alt kolu iki civata, pul ve kilitleme mandalı takımıyla bađlayın. (**Şekil 7, Şekil 8, Şekil 9**)
- C) Tüm kabloları kol millerinin üzerine yerleřtirin. Kabloları, kablo keleřçeleri ile alt kolların orta kısımlarına, makinenin dıřına gelecek şekilde sabitleyin. Aksi takdirde, kablolar, arka kapak açılırken/kapanırken takılabilir veya üst kol katlanırken zorlanabilir. (**Şekil 10**)

### 5-2 ÇİM HAZNESİNİN TAKILMASI

1. Hazneyi takmak için: Arka kapađı kaldırın ve çim haznesini makinenin arka miline takın. (**Şekil 11, Şekil 12**)
2. Hazneyi çıkartmak için: Arka kapađı kaldırın ve çim haznesini çıkartın.

### 5-3 ÇALIřTIRMA KOLU

Çalıřtırma kolunu motordan ip kılavuzuna dođru çekin. (**Şekil 13, Şekil 14**)

### 5-4 KESME YÜKSEKLİĐİ

Kolu, yukarı dođru çekerek diřli parçadan ayırın. Yüksekliđi ayarlamak için kolu ileriye veya geriye çekin. (**Bkz. Şekil 15 ve Madde 8-8**)

## 6. UYGUN YÜKSEKLİK AYARI

- 1) Alt kolu sabitleyen kilitleme mandalını geri çekin. (**Şekil 16**)

- 2) Alt kolu yukarı ve ařađı hareket ettirerek, uygun yükseklik ayarını gerçeleřtirin (bkz. **Şekil 17**). Bu tip çim biçme makinesinde, 1. yükseklikte alt kol ile zemin arasındaki mesafe en yüksek ve 3. yükseklikte en düşük olacak şekilde seçilebilecek 3 ayar yüksekliđi mevcuttur.
- 3) Uygun yükseklik ayarını gerçeleřtirdikten sonra, kilitleme mandalları ile alt kolu tekrar sabitleyin.



**UYARI:** Alt kolun sol tarafı ile sađ tarafı mutlaka aynı yüksekliđe ayarlanmalıdır.

## 7. 2'Sİ 1 ARADA

Bu çim biçme makinesi, çeřitli aparatlar takılarak farklı amaçlarla kullanılabilir:

Arkadan deřarlılı çim biçme makinesi ve malç serme makinesi.

Malç serme işlemi nedir?

Malç serme işlemi yapılırken, bir çalıřma ařamasında çim kesilir ve daha sonra ince ince parçalandıktan sonra dođal gübre olarak tekrar serilir.

Malç serme işlemi ile ilgili ipuçları:

- 6 cm ila 4 cm çim yüksekliđinde düzenli olarak maksimum 2 cm kesim yapın.
- Keskin bir kesme bıçadı kullanın.
- Yař çimde kesim yapmayın.
- Maks. Motor devrini ayarlayın.
- Yalnızca yürüme hızında kesim yapın.
- Malç serme aparatını, muhafazanın iç kısmını ve çim biçme bıçadı düzenli olarak temizleyin.

## BİR: Malç serme makinesine dönüştürme



**UYARI:** Bu işlemleri yalnızca motor ve kesici durduktan sonra gerçekleştirin.

1. Arka kapağı kaldırın ve çim haznesini çıkartın.
2. Malç serme aparatını altlığa yerleştirin. Malç serme aparatını altlık üzerindeki delikte bulunan düğmeye basarak kilitleyin. (**Şekil 18, Şekil 19**)
3. Arka kapağı geri yerine takın.

## İKİ: Çim haznesiyle çim biçme

1. Çim haznesiyle çim biçmek için, malç serme aparatını çıkartın ve çim haznesini takın.
2. Malç aparatının sökülmesi.
- Arka kapağı çıkartın ve malç aparatını sökün.



**UYARI:** Bu işlemleri yalnızca motor ve kesici durduktan sonra gerçekleştirin.

## 8. ÇALIŞTIRMA TALİMATLARI

### 8-1 BAŞLAMADAN ÖNCE

Çim biçme makinenize takılı olan motorun ayrı verilen kılavuzundaki talimatları takip ederek motora benzin ve yağ koyun. Talimatları dikkatli bir şekilde okuyun.



**UYARI:** Benzin yüksek derecede tutuşabilir bir sıvıdır.

Yakıtı bu amaçla özel olarak tasarlanmış konteynerlerde saklayın.

Yalnızca açık havada ve motoru başlatmadan önce yakıt doldurun ve yakıt doldururken sigara içmeyin.

Motor çalışırken veya motor hala sıcakken kesinlikle yakıt deposu kapağını açmayın veya yakıt doldurmayın.

Etrafa benzin dökülürse, motoru çalıştırmayın, makineyi benzinin döküldüğü alandan uzak bir yere taşıyın ve benzin buharı dağılına kadar tutuşturucu kaynakları ilgili alandan uzak tutun.

Tüm yakıt deposu ve konteyner kapaklarını sağlam şekilde sıkın.

Bıçakta bakım yapmak veya yağı boşaltmak için çim biçme makinesini yatırmadan önce, depodaki benzini boşaltın.



**UYARI:** Yakıt deposunu kesinlikle bina içinde, makine çalışırken doldurmayın ve motor durduktan sonra en az 15 dakika motorun soğuması için bekleyin.

### 8-2 MOTORUN ÇALIŞTIRILMASI VE BİÇAĞIN TAKILMASI

1. Ünitede bujinin ucunda bir kauçuk kapak bulunur, buji telinin ucundaki (kauçuk kapağın içindeki) metal kancanın bujideki metal uca sağlam şekilde takıldığından emin olun.
2. Motoru çalıştırmadan önce başlatma düğmesine 3-5 defa basın. (**Şekil 20**)
3. Soğuk bir motoru çalıştırırken, jikle kolunu "☁" konumuna getirin. Sıcak bir motoru çalıştırırken ise jikle kolunu "☁" konumuna getirin. (**Şekil 21**)

4. Makinenin arkasına geçtikten sonra, durdurma kontrol kolunu tutun ve **Şekil 22'de** gösterildiği gibi üst kola doğru çekin.
5. Çalıştırma kolunu **Şekil 22'de** gösterildiği gibi tutun ve hızlı bir şekilde yukarıya doğru çekin. Motor çalıştıktan sonra yavaş bir şekilde ip kılavuzu civatasına geri bırakın. Motoru ve bıçağı durdurmak için durdurma kontrol kolunu bırakın.



Motoru ayaklarınız bıçaktan uygun uzaklıktayken talimatlara uygun ve dikkatli bir şekilde çalıştırın.



Motoru çalıştırırken çim biçme makinesini yatırmayın. Çim biçme makinesini düz ve üzerinde çim veya başka bir engel bulunmayan bir zemin üzerinde çalıştırın.



Ellerinizi ve ayaklarınızı hareketli parçalardan uzak tutun. Deşarj oluşunun önünde duruyorken, motoru çalıştırmayın.

### 8-3 HAZIRLIK PROSEDÜRLERİ

Çalıştırma sırasında, durdurma kontrol kolunu her iki elinizle sıkıca tutun.



**Not:** Çalıştırma sırasında, durdurma kontrol kolu bırakıldığında, motor duracak ve bu nedenle çim biçme işlemi de kesilecektir.



**UYARI!** Çim biçme makinesinin istenmeden başlatılmasını önlemek için motor çalıştırılmadan önce geri çekilmesi gereken bir motor freni bulunur. Motor kontrol kolu serbest bırakıldığında, fren başlangıçtaki konumuna döner ve motor otomatik olarak kapanır.



**Not:** Motor freni (fren kolu): Motoru durdurmak için kolu kullanın. Kolu bıraktığınızda motor ve bıçak otomatik olarak durur. Biçmek için, kolu çalışma konumunda tutun. Biçmeye başlamadan önce, başlatma/durdurma kolunun düzgün çalıştığından emin olmak için kolu birkaç kez kontrol edin. Güç kablosunda sorun olmadığından (bir yere takılmadığından ve dolaşmadığından) emin olun.

### 8-4 MOTORU DURDURMAK İÇİN



**DİKKAT:** Motor durdurulduktan sonra bıçak birkaç saniye daha dönmeye devam eder.

1. Motoru ve bıçağı durdurmak için durdurma kontrol kolunu bırakın.
2. Makinenin başında değişken istem dışı şekilde çalışmasını önlemek için, ayrı verilen motor kılavuzunda verilen talimatlara göre buji telinin bağlantısını kesin ve topraklayın.

## 8-5 ÇİM BİÇME İŞLEMİ SIRASINDA EN İYİ SONUÇ İÇİN

Biçilecek alandaki yabancı maddeleri temizleyin. Biçilecek alanda çim biçme makinesi tarafından fırlatılabilecek ve operatörün veya diğer kişilerin ciddi şekilde yaralanmasına ve makinenin ve çevredeki eşyaların hasar görmesine neden olabilecek taş, ağaç dalları, tel vs. gibi yabancı maddeler bulunmadığından emin olun. Yaş çimde kesim yapmayın. Çim biçme işleminin etkin şekilde uygulanması için yaş çimde kesim yapmayın, aksi takdirde yaş çim, altlığın alt tarafına yapışarak, biçilen çimlerin uygun şekilde serilmesini engelleyebilir. Çimin uzunluğunun 1/3'ünden fazlasını kesmeyin. Çim biçme işlemi için önerilen kesim miktarı, çim uzunluğunun 1/3'üdür. Makinenin hareket hızı, kırılan çimler alana eşit şekilde dağıtılabilecek şekilde ayarlanmalıdır. Özellikle, yoğun çimde yapılan kesim işlemlerinde, çim biçme işleminin düzgün yapılabilmesi için en düşük devirlerden birinin kullanılması gerekebilir. Uzun çimde biçme işlemi gerçekleştirilirken, alanı iki geçişte biçebilir, ikinci kesimde bıçak uzunluğunu 1/3'ü kadar alçaltabilir ve alanı ilk kesimden farklı bir modelde biçebilirsiniz.

Kesim yapılan bir önceki şeridin bir miktar üzerinden geçilmesi de yanlış serilmiş çimlerin temizlenmesine yardımcı olacaktır. Çim biçme makinesi, en iyi sonucun elde edilmesi ve çim biçme işleminin en etkin şekilde yapılması için tam açıklıkta çalıştırılmalıdır. Altlığın alt kısmını temizleyin.

Çimlerin birikmesini ve malç serme işleminin uygun şekilde yapılmasını engellemesini önlemek için, her kullanımdan sonra kesme altlığının alt kısmını temizlediğinden emin olun.

Yaprakların biçilmesi: Yaprakların biçilmesi de çimlerin için yararlı olabilir. Yaprakları biçerken, yaprakların kuru olmasına ve toprakta çok kalın bir tabaka halinde bulunmamasına dikkat edin. Çim biçme işlemine başlamadan önce, ağaçlardaki tüm yaprakların dökülmesini beklemeyin.

**UYARI:** Yabancı bir maddeye çarptığınızda, motoru durdurun. Bujideki teli çıkartın, çim biçme makinesinde herhangi bir hasar olup olmadığını dikkatli bir şekilde kontrol edin ve makineyi yeniden çalıştırmadan önce tespit edilen hasarları onarın. Çalışma sırasında makinenin çok titreşimli çalışması hasar olduğunun bir göstergesidir. Bu durumda, makine derhal kontrol edilmeli ve onarılmalıdır.

## 8-6 ÇİM HAZNESİ

Torbayı boşaltın ve temizleyin, temiz olduğundan emin olun ve ağ kısmının havalandırılmasını sağlayın. (Şekil 23)

## 8-7 ALTLIK

Kırılan çimlerin, yaprakların, pisliklerin ve diğer yabancı maddelerin birikmesinin önlenmesi için, çim biçme makinesinin altlığının alt tarafı her kullanımdan sonra temizlenmelidir. Yabancı maddelerin bu şekilde birikmesine izin verilirse, paslanma ve korozyon oluşabilir ve malç serme işlemi doğru şekilde uygulanamayabilir. Altlık, çim biçme makinesi eğilerek ve uygun bir aletle

fırçalanarak temizlenebilir (bujie telinin bağlantısının kesildiğinden emin olun).

## 8-8 YÜKSEKLİK AYAR TALİMATLARI

**DİKKAT:** Öncelikle motoru durdurmadan ve buji telinin bağlantısını kesmeden kesinlikle çim biçme makinesinde herhangi bir ayar yapmayın.

**DİKKAT:** Çim biçme yüksekliğini değiştirmeden önce, çim biçme makinesini durdurun ve buji kablosunun bağlantısını kesin. Çim biçme makinesinde 5 farklı yükseklik kademesine sahip olan bir merkezi yükseklik ayar kolu mevcuttur.

1. Çim biçme yüksekliğini değiştirmeden önce çim biçme makinesini durdurun ve buji kablosunun bağlantısını kesin.
2. Merkezi yükseklik ayar kolu 5 farklı yükseklik kademesinin ayarlanmasına izin verir.
3. Kesim yüksekliğini değiştirmek için, ayar kolunu tekere doğru sıkıştırın ve istediğiniz yüksekliği ayarlamak için yukarı veya aşağı doğru hareket ettirin (Şekil 24). Tüm tekerlekler aynı kesim yüksekliğinde olacaktır.

## 9. BAKIM TALİMATLARI

### BUJİ

Mevcut bujiyi yalnızca orijinal yedek parçalarla değiştirin. En iyi sonucu elde etmek için, bujiyi her 100 saatlik kullanımda bir değiştirin. (bkz. MOTOR KULLANMA KILAVUZU)

### FREN PEDLERİ

Motor fren pedlerini servis temsilcisinde düzenli olarak kontrol ettirin ve/veya yenisiyle değiştirin, yedek parça olarak sadece orijinal parçaları kullanın.

## 10. YAĞLAMA TALİMATLARI

**DİKKAT:** SERVİS İŞLEMİNDEN ÖNCE BUJİYİ ÇIKARTIN.

1. TEKERLEKLER- Her mevsimde en az bir kere tekerleklerdeki bilyalı yatakları ince bir yağla yağlayın.
2. MOTOR-Motor kılavuzunda verilen yağlama talimatlarını takip edin.
3. DURDURMA KONTROLÜ- Her mevsimde en az bir kere durdurma kontrol kolunun bağlantı noktalarını ve kablosunu ince bir yağla yağlayın. Durdurma kontrolü mutlaka her iki yönde serbestçe hareket etmelidir.

## 11. TEMİZLEME

**DİKKAT:** Motora doğrudan su tutmayın. Su, motora zarar verebilir veya yakıt sistemini kirlitebilir.

1. Altlığı kuru bir bezle silin.
2. Bujie üstte kalacak şekilde çim biçme makinesini eğdikten sonra altlığın altına su tutun.

## 11-1 MOTOR HAVA TEMİZLEYİCİ



**DİKKAT:** Kir ve tozun hava filtresinin köpük elemanını tıkamasına izin vermayın.

Motor hava temizleyici bileşeni mutlaka her 25 saatlik normal çalıştırmadan sonra servise alınmalıdır (temizlenmelidir). Çim biçme makinesi kuru ve tozlu koşullarda kullanılıyorsa, köpük eleman düzenli olarak servise alınmalıdır. (bkz. MOTOR KULLANMA KILAVUZU)

### HAVA FİLTRESİNİ TEMİZLEMEK için

1. PLM4120N için: Filtre kapağı üzerindeki tırnakları kaldırın.  
PLM4620N için: Vidayı sökün.
2. Kapağı çıkartın.
3. Filtre elemanını sabunlu suyla yıkayın. **BENZİN KULLANMAYIN!**
4. Filtre elemanını havayla kurutun.
5. Köpük filtreye birkaç damla SAE30 yağ uygulayın ve fazla yağın atılması için filtreyi hafifçe sıkın.
6. Filtreyi geri takın.
7. Filtre kapağını kapatın.



**NOT:** Yıpranmış, aşınmış, hasar görmüşse veya temizlenemiyorsa filtreyi değiştirin. (**PLM4120N için Şekil 25**)

## 11-2 KESME BİÇAĞI



**DİKKAT:** Motorun istem dışı şekilde çalışmasını önlemek için, kesme bıçağı üzerinde herhangi bir çalışma yapmadan önce buji telinin bağlantısının kesildiğinden ve topraklandığından emin olun. Kesme bıçaklarını ağır hizmet tipi eldivenler veya kalın bir bezle tutarak, ellerinizi koruyun.

Çim biçme makinesini, ayrı verilen kılavuzda açıkladığı şekilde yatırın. Bıçağı ve bıçak adaptörünü motorun krank miline sabitleyen altı köşeli civatayı ve pulu sökün. Bıçağı ve adaptörü krank milinden çıkartın.



**UYARI:** Bıçak adaptöründe çatlak olup olmadığını düzenli olarak, özellikle de yabancı bir nesneye çarptıktan sonra kontrol edin. Gerekirse, değiştirin.  
En iyi sonucu elde edilmesi için bıçak daima keskin olmalıdır. Bıçak, çıkartılabilir ve orijinal eğime mümkün olduğunca sadık kalınarak kesici kenarı taşlanarak veya bilerek keskinleştirilebilir. Bıçak dengesinin bozulmaması için, her bir kesici kenarın eşit miktarda taşlanması veya bilenmesi oldukça önemlidir. Bıçağın dengesiz olması, aşırı titreşime ve neticesinde motorun ve çim biçme makinesinin bozulmasına veya hasar görmesine neden olabilir. Bileme işleminden sonra bıçağın dikkatli şekilde dengelendiğinden emin olun. Yuvarlak bir tornavidaya takılarak bıçağın dengede olup olmadığını kontrol edilebilir. Uygun şekilde dengelenene kadar ağır taraftaki metali bileyin. (**Şekil 26**)

Bıçağı ve bıçak adaptörünü makineye geri takmadan önce, motorun krank milini ve bıçak adaptörünün iç yüzeyini ince bir yağla yağlayın. Bıçak adaptörünü krank miline takın. Bkz. **Şekil 26**. Bıçağı, parça numarası adaptörden uzağa bakacak şekilde yerleştirin. Pulu, bıçakla hizalayın ve altı köşeli civatayı takın. Altı köşeli civatayı aşağıda verilen tork değerine kadar sıkın.

### 11-3 BİÇAK MONTAJ TORKU

Merkez Civatası mutlaka 35 - 45 Nm tork değerine kadar sıkılmalıdır. Makinenizin güvenli çalışmasını sağlamak için. TÜM somunların ve civataların doğru sıklıkta olup olmadığını düzenli olarak kontrol edilmesi gerekir. Makine uzun bir süre, özellikle de kumlu toprak koşullarında kullanılması halinde, bıçak aşınır ve orijinal şeklini bir miktar kaybeder. Bu durumda, kesim performansı düşeceğinden, bıçağın değiştirilmesi gerekir. Bıçağı yalnızca fabrika tarafından onaylanmış bir bıçakla değiştirin. Bıçağın dengesiz olmasından kaynaklanabilecek hasarlardan dolayı üretici sorumlu tutulamayacaktır. Bıçağı değiştirirken, bıçak üzerinde belirtilen orijinal bıçak tipi (PLM4120N için MAKITA 263001433 ve PLM4620N için MAKITA 263001451) kullanılmalıdır (bıçak siparişi için, dağıtıcınıza danışın veya şirketimizi arayın).



**UYARI:** Hareketli bıçaklara dokunmayın.

## 11-4 MOTOR

Motorun bakım talimatları için ayrı verilen motor kılavuzuna bakın.

Motor yağını makinenizle birlikte verilen motor kılavuzunda belirttiği şekilde doldurun ve yenileyin.

Talimatları dikkatli bir şekilde okuyun ve uygulayın.

Hava temizleyicisi ayrı verilen motor kılavuzuna uygun olarak normal koşullarda servise alın. Çok tozlu koşullarda hava temizleyicisi her birkaç saatte bir temizleyin. Motor performansının düşük olması ve motorun tıkanması genellikle hava temizleyicinin servise alınması gerektiğini gösterir.

Hava temizleyicisi servise almak için, makinenizle birlikte verilen ayrı motor kılavuzuna bakın.

Her mevsimde buji temizlenmeli ve boşluk sıfırlanmalıdır.

Her çim biçme sezonundan önce bujinin değiştirilmesi önerilir. Doğru buji tipi ve boşluk değerleri için motor kılavuzuna bakın.

Motoru bir bez parçası veya fırçayla düzenli olarak temizleyin. Motor performansı ve ömrü için oldukça önemli olan, uygun hava devridaimini sağlamak için soğutma sistemini (üfleyci muhafaza alanının) daima temiz tutun. Susturucu alanındaki tüm çimin, kirlerin ve tutuşabilir pisliklerin temizlendiğinden emin olun.

## 12. DEPOLAMA TALİMATLARI (SEZON DIŞI)

Çim biçme makinesinin depoya kaldırılması için aşağıdaki hazırlık adımlarının takip edilmesi gerekir.

1. Sezonun son çim biçme işlemini tamamladıktan sonra depoyu boşaltın.
  - a) Benzin deposunu bir emme pompası yardımıyla boşaltın.





**DİKKAT:** Benzin boşaltma işlemini kapalı odalarda, açık alev yakın yerlerde vs. gerçekleştirmeyin. Çalışma sırasında sigara içilmesine izin vermeyin! Benzin buharları patlamaya veya yangına neden olabilir.

- b) Motoru çalıştırın ve kalan tüm benzin tükenene ve motor kendiliğinden durana kadar çalışmasına izin verin.
  - c) Bujiyi çıkartın. Bir yağdanlık kullanarak yanma hücresine yaklaşık 20 ml yağ doldurun. Yağı yanma hücresinin tamamına eşit şekilde dağıtmak için marşı çalıştırın. Bujiyi değiştirin.
2. Yukarıda “YAĞLAMA TALİMATLARI” bölümünde açıklandığı gibi çim biçme makinesini dikkatli bir şekilde temizleyin ve yağlayın.
  3. Korozyonu önlemek için kesiciyi hafifçe yağlayın.
  4. Çim biçme makinesini kuru, temiz ve donmayacak ve makineyi kullanmaya yetkili olmayan kişilerin erişemeyeceği bir yerde saklayın.



**DİKKAT:** Çim biçme makinesi depoya kaldırılmadan önce motor mutlaka tamamen soğumalıdır.



**NOT:**

Herhangi bir motorlu makine havalandırılmayan bir alanda veya malzeme deposunda muhafaza edilecekse;

- Makinenin paslanmaya karşı korunması gerekir. Makineyi, özellikle de kablolarını ve hareketli tüm parçalarını ince bir yağ veya silikonla yağlayın.
- Kabloların bükülmemesi veya dolaşmamasına dikkat edin.
- Çalıştırma ipinin koldaki ip kılavuzundan çıkması halinde, buji telinin bağlantısını kesin ve topraklayın, bıçak kontrol koluna bastırın ve çalıştırma ipini motordan yavaşça çekin. Çalıştırma ipini koldaki ip kılavuz civatasına geri takın.

## Taşıma

Motoru durdurun ve motorun soğumasını bekleyin. Ardından buji kablosunu sökün ve yakıt tankını motorun kılavuzunda yer alan talimatlara göre boşaltın. Çim biçme makinesini engeller üzerinden geçirirken kesicinin eğilmeyeceğinden veya hasar görmeyeceğinden emin olun.

## 13. SORUN GİDERME

PROBLEM	OLASI NEDENİ	DÜZELTİCİ İŞLEM
Motor çalışmıyor.	Mevcut koşullar için jikle kolu doğru konumda değildir.	Jikle kolunu doğru konuma getirin.
	Yakıt deposu boştur.	Yakıt deposunu doldurun: bkz. MOTOR KULLANMA KILAVUZU.
	Hava temizleyici elemanı kirlidir.	Hava temizleyici elemanını temizleyin: bkz. MOTOR KULLANMA KILAVUZU.
	Buji gevşektir.	Bujiyi 25 - 30 Nm değerine kadar sıkın.
	Buji teli gevşektir veya bujiden çıkmıştır.	Buji telini bujiye geri takın.
	Buji boşluğu yanlışır.	Boşluğu elektrotlar arasında 0,7 ila 0,8 mm boşluk olacak şekilde ayarlayın.
	Buji hasarlıdır.	Yeni bir buji takın ve buji boşluğunu doğru şekilde ayarlayın: bkz. MOTOR KULLANMA KILAVUZU.
	Karbüratör yakıtla dolmuştur.	Hava temizleyici elemanını sökün, çalıştırma ipini karbüratör kendini temizleyinceye kadar art arda çekin ve ardından hava temizleyici elemanını geri takın.
	Ateşleme modülü arızalıdır.	Makita yetkili servis merkezine danışın.
Motor zor çalışıyor veya güç kaybediyor.	Yakıt deposunda kir, su veya uygun olmayan benzin vardır.	Depoyu boşaltın ve temizleyin. Depoyu temiz ve yeni yakıtla doldurun.
	Yakıt deposu kapağındaki havalandırma deliği tıkalıdır.	Yakıt deposu kapağını temizleyin veya değiştirin.
	Hava temizleyici elemanı kirlidir.	Hava temizleyici elemanını temizleyin.
Motor düzensiz şekilde çalışıyor.	Buji hasarlıdır.	Yeni bir buji takın ve buji boşluğunu doğru şekilde ayarlayın: bkz. MOTOR KULLANMA KILAVUZU.
	Buji boşluğu yanlışır.	Boşluğu elektrotlar arasında 0,7 ila 0,8 mm boşluk olacak şekilde ayarlayın.
	Hava temizleyici elemanı kirlidir.	Hava temizleyici elemanını temizleyin: bkz. MOTOR KULLANMA KILAVUZU.
Motor rölantide yanlış çalışıyor.	Hava temizleyici elemanı kirlidir.	Hava temizleyici elemanını temizleyin: bkz. MOTOR KULLANMA KILAVUZU.
	Motor kapağındaki hava delikleri tıkalıdır.	Deliklerdeki pislikleri temizleyin.
	Soğutma kanatları ve motor fanının altındaki hava geçişleri tıkalıdır.	Soğutma kanatlarındaki ve hava geçişlerindeki pisliği temizleyin.
Motor yüksek devirde doğru çalışmıyor.	Buji elektrotları arasındaki boşluk çok azdır.	Boşluğu elektrotlar arasında 0,7 ila 0,8 mm boşluk olacak şekilde ayarlayın.
Motor aşırı ısınıyor.	Soğutma havası debisi yetersizdir.	Motor kapağındaki, fan muhafazasındaki ve hava geçişlerindeki deliklerdeki pislikleri temizleyin.
	Buji hatalıdır.	PLM4120N için, motora RC12YC veya QC12YC buji ve soğutma kanatları takın. PLM4620N modelinde, motora RJ19LMC buji ve soğutma kanatları takın.
Çim biçme makinesi aşırı derecede titreşimli çalışıyor.	Kesme tertibatı gevşektir.	Bıçağı sıkın.
	Kesme tertibatı dengesizdir.	Bıçağı dengeleyin.

## 14. ÇEVRE

Uzun süre kullanıldıktan sonra makinenin değiştirilmesi gerekirse, makineyi normal ev çöpüyle birlikte atmayın, çevreye zarar vermeyecek bir şekilde bertaraf edin.

**Yalnızca Avrupa ülkeleri için**

**AT Uygunluk Beyanı**

**Biz Makita Corporation beyan ederiz ki aşağıdaki makine(ler):**

Makinenin Adı:

Benzinli çim biçme makinesi

Model Numarası / Tipi: PLM4120N, PLM4620N

Teknik Özellikler: Bkz. "4. TEKNİK BİLGİLER"

**Şu Avrupa Yönergelerine uygundur:**

2004/108/EC, 2006/42/EC, 2000/14/EC ve 2005/88/EC

Aşağıdaki standartlara veya standartlaştırılmış belgelere uygun olarak imal edilmişlerdir:

EN ISO 5395-1, EN ISO 5395-2, EN ISO14982

2006/42/EC uyumluluğuna ilişkin teknik dosyaya şuradan ulaşılabilir:

Makita, Jan-Baptist Vinkstraat 2, 3070, Belçika

2000/14/EC sayılı Direktif tarafından istenen uygunluk değerlendirme prosedürü, Ek VI'ya uygundur.

Onaylayan Kurum:

TÜV SÜD Industrie Service GmbH

Westendstrasse 199, D-80686 Münih, Almanya

Tanım numarası: 0036

PLM4120N

Ölçülen Ses Gücü Düzeyi: 93,4 dB

Garanti Edilen Ses Gücü Düzeyi: 96 dB

PLM4620N

Ölçülen Ses Gücü Düzeyi: 93,6 dB

Garanti Edilen Ses Gücü Düzeyi: 96 dB

22.8.2014



Yasushi Fukaya  
Müdür

Makita, Jan-Baptist Vinkstraat 2, 3070, Belçika

**Förklaring till översiktstillbilderna**

- |                            |                        |                   |
|----------------------------|------------------------|-------------------|
| 1. Övre handtag            | 6. Gräsuppsamlare      | 11. Oljelock      |
| 2. Stoppkontrollhandtag    | 7. Höjinställningsspak | 12. Kabelhake     |
| 3. Chokereglaget           | 8. Klippdäck           | 13. Låsraff       |
| 4. Starthandtag            | 9. Tändstift           | 14. Hög hastighet |
| 5. Styrning för startsnöre | 10. Tanklock           | 15. Låg hastighet |

**VARNING:**

Var god och läs igenom bruksanvisningen för din egen säkerhet innan du använder din nya maskin. Om du inte följer anvisningarna kan det orsaka allvarlig personskada. Ägna dig en stund åt att lära dig hur gräsklipparen fungerar före varje användning. Förvara bruksanvisningen på en säker plats så att informationen alltid är tillgänglig. Om du lämnar över utrustningen till någon annan person ska du även lämna över dessa användaranvisningar och säkerhetsföreskrifter.

**Avsedd användning**

Den här utrustningen får endast användas för de uppgifter den är avsedd att hantera. All annan användning betraktas som felaktig hantering. Användaren/operatören och inte tillverkaren ansvarar för alla eventuella skador som kan uppstå på grund av detta.

Den bensindrivna gräsklipparen är avsedd för privat bruk, d.v.s. användning i hem- och trädgårdsmiljöer.

Med privat bruk av gräsklipparen avses en årlig användningstid som normalt inte ska överstiga 50 timmar, då maskinen primärt används för att underhålla småskaliga gräsmattor i bostadsmiljö och hem-/hobbyträdgårdar. Användning för offentliga miljöer, sporthallar och jordbruk/skogsbruk är exkluderat.

Observera att den här utrustningen inte är utformad för kommersiellt bruk eller användning i handels- eller industrimiljöer. Garantin gäller inte om maskinen används för kommersiellt bruk, i handels- eller industrimiljöer eller motsvarande.

Användaranvisningarna som medföljer från tillverkaren måste behållas och konsulteras för att säkerställa att gräsklipparen används och underhålls på rätt sätt.

Anvisningarna innehåller värdefull information om användning, underhåll och serviceförhållanden.

Viktigt! På grund av den höga risken för kroppsskada får gräsklipparen inte användas för att trimma buskar, häckar eller annan växtlighet, klippa ned klätterväxter, takplanteringar eller balkongodlat gräs, rengöra (suga upp) smuts och skräp från gångstigar eller för att hugga upp träbitar eller häckklipprester. Dessutom får gräsklipparen inte användas i stället för jordfräs för utjämnning av upphöjningar som mullvadshögar eller liknande.

Av säkerhetsskäl får gräsklipparen inte användas som drivenhet för andra arbetsverktyg eller verktyg av något slag.

**1. SYMBOLER MÄRKTA PÅ PRODUKTEN (på den bakre kåpan)**

Läs igenom bruksanvisningen.



Håll åskådare borta.



Var mer uppmärksam på dina händer och fötter för att undvika olyckor.



Giftiga avgaser. Kör inte motorn inomhus.



Bränsle är lättantändligt, håll det borta från eld. Tanka inte med motorn igång.



Vid gräsklippning, var god och bär skyddsglasögon och öronproppar för att skydda dig själv.



Vid reparation, var god och ta bort tändstiftet och reparera sedan maskinen enligt bruksanvisningen.



Försiktigt! Het motor.



Släpp strömbrytarhandtaget för att stoppa motorn.

## 2. ALLMÄNNA SÄKERHETSANVISNINGAR



**VARNING:** Vid användning av bensindrivna maskiner ska alltid grundläggande säkerhetsföreskrifter, inklusive följande, efterlevas för att minska risken för allvarlig personskada och/eller skada på maskinen. Läs igenom alla dessa instruktioner innan du använder denna produkt och behåll instruktionerna för framtida bruk.



**VARNING:** Maskinen bildar ett elektromagnetiskt fält omkring sig under användningen. Under vissa förhållanden kan detta fält störa aktiva eller passiva medicinska implantat. För att minska risken för allvarlig eller dödlig skada, rekommenderar vi personer med medicinskt implantat att konsultera sin läkare och tillverkaren av det medicinska implantatet innan de använder maskinen.

### Utbildning

- Läs noggrant igenom instruktionerna. Vänj dig vid manöverkontrollerna och den korrekta användningen av utrustningen.  
Lär dig hur du snabbt stoppar motorn.
- Använd gräsklipparen endast för det ändamål den är avsedd för, dvs. att klippa och samla ihop gräs. All annan användning kan vara farlig och orsaka skada på maskinen. Exempel på felaktig användning kan inkludera men är inte begränsat till:
  - transport av personer, barn eller djur på maskinen;
  - transportera sig själv med maskinen;
  - använda maskinen till att dra eller skjuta på laster;
  - använda maskinen till uppsamling av löv eller skräp;
  - använda maskinen till att beskära häckar eller för att kapa annan vegetation än gräs;
  - låta flera personer manövrera maskinen samtidigt;
  - använda kniven på andra ytor än gräs.
- Låt aldrig gräsklipparen användas av barn eller av personer som inte känner till dessa instruktioner. Lokala bestämmelser kan ange en åldersgräns för användaren.
- Använd aldrig gräsklipparen:
  - när personer, särskilt barn, eller djur finns i närheten;
  - om användaren har tagit medicin eller substanser som kan påverka hans reaktions- och koncentrationsförmåga.
- Glöm inte att användaren är ansvarig för olyckor eller eventuell fara gentemot andra personer och deras egendom.
- För att använda maskinen krävs att användaren har fått tillbörlig utbildning i användning, justering och funktion av maskinen, samt förbjudna användningsområden.

### Förberedelse

- Bär alltid kraftiga skor och långbyxor när gräset klippas. Använd inte utrustningen barfota eller med öppna skor.

- Kontrollera noggrant hela arbetsområdet och ta bort alla föremål som kan kastas iväg av maskinen, som stenar, leksaker, pinnar och kablar.
- VARNING - Bensin är mycket lättantändligt.
  - förvara bränsle i behållare som är avsedda för detta syfte;
  - tanka endast utomhus och rök inte vid tankningen;
  - tanka innan motorn startas. Ta aldrig bort tanklocket eller tanka medan motorn körs eller när motorn är het;
  - försök inte att starta motorn om du har spillt bensin, utan rulla bort maskinen från det området och undvik att skapa någon form av antändning förrän bensinångorna dunstat;
  - tillslut tanklock och bränslebehållare säkert.
- Byt ut trasiga ljuddämpare.
- Utför alltid en visuell inspektion innan användningen för att kontrollera att knivar, knivbultar och skärare inte är utnötta eller skadade. Ersätt samtliga utnötta eller skadade knivar och bultar i hela satser så att balansen bibehålls.
- Kontrollera regelbundet så att alla startlås och operatörsnärvarokontroller fungerar som de ska.

### Användning

- Kör inte motorn i ett begränsat utrymme där farlig koloxid kan ansamlas.
- Använd inte maskinen när du är trött, sjuk eller påverkad av alkohol eller andra droger.
- Varning! Använd inte gräsklipparen där det finns risk för blixtnedslag.
- Det är rekommenderat att begränsa användningstiden för att minimera riskerna med höga ljudnivåer och vibrationer.
- Var försiktig när du använder gräsklipparen i sluttningar och nära branta kanter, diken eller jordvallar.
- Klipp endast i dagsljus eller i god belysning.
- Undvik om det är möjligt att använda utrustningen i vått gräs.
- Se alltid till att ha balans på sluttningar.
- Gå, spring aldrig.
- För hjulförsedda roterande maskiner: klipp tvärs över sluttande terräng, aldrig upp och ner.
- Var särskilt försiktig vid byte av riktning i sluttande terräng.
- Klipp inte på väldigt branta ytor.
- Var särskilt försiktig när du vänder eller drar gräsklipparen emot dig.
- Stoppa kniven/knivarna om gräsklipparen måste lutas för att transporteras över gräsfria ytor och när gräsklipparen transporteras till och från ytan där gräset ska klippas.
- Använd aldrig gräsklipparen med trasiga skyddsanordningar eller utan säkerhetsutrustning som t ex stenskydd och/eller gräsuppsamlare.
- Försiktig! Gräsklipparen får ej användas utan antingen hela gräsuppsamlaren eller utkastöppningsskyddet med automatisk stängning monterat på plats.
- Ändra inte inställningen av motorns varvtalsregulator eller övervarva motorn.
- Ändra eller modifiera inte någon förseglad justering av varvtalsreglaget.
- Gräsklipparens säkerhetssystem eller säkerhetsfunktioner får inte modifieras eller inaktiveras.

- Frikoppla alla kniv- och drivkopplingar innan du startar motorn.
- Starta motorn omsorgsfullt enligt instruktionerna och med fötterna på bra avstånd från kniven/knivarna.
- Luta inte gräsklipparen när du startar motorn.
- Starta inte motorn när du står framför gräsutkastningsöppningen.
- Placera inte händer och fötter i närheten eller under roterande delar. Stå alltid långt ifrån gräsutkastningsöppningen.
- Lyft aldrig upp eller bär gräsklipparen med motorn igång.
- Stoppa motorn och lossa tändkabeln, kontrollera att alla rörliga delar har stannat helt och ta bort tändningsnyckeln där det finns en:
  - innan du tar bort något som fastnat eller rensar utkastningsrännan;
  - innan gräsklipparen kontrolleras, rengörs eller något arbete utförs på den;
  - om du slagit emot ett främmande föremål. Kontrollera gräsklipparen om det uppstått skador och utför reparationer innan maskinen startas och används på nytt;
  - om gräsklipparen börjar vibrera onormalt (kontrollera omedelbart).
- Stoppa motorn och lossa tändkabeln, kontrollera att alla rörliga delar har stannat helt och ta bort tändningsnyckeln där det finns en:
  - när du lämnar gräsklipparen utan uppsikt;
  - innan tankning.
- Minska gaspådraget när motorn ska stängas av och, om motorn är försedd med en avstängningsventil, stäng av bränsletillförseln i slutet av klippningen.
- Använd gräsklipparen endast för det ändamål den är avsedd för dvs att klippa och samla ihop gräs. All annan användning kan vara farlig och orsaka skada på maskinen.
- För att minska brandrisken ska motorn, ljuddämparen, batterikomponenten och utrymmet där bensinen förvaras hållas fria från gräs, löv eller för mycket smörjmedel.
- Kontrollera gräsuppsamlaren ofta så att den inte är uttrött eller försämrad.
- Byt ut utnötta eller skadade delar för säker användning.
- Om bränsletanken måste tömmas ska det göras utomhus.
- Felaktigt underhåll, användning av icke-överensstämmande ersättningskomponenter, eller avlägsnande eller modifiering av säkerhetskomponenter kan skada gräsklipparen och operatören allvarligt.
- Använd endast knivar och reservdelar som rekommenderas av tillverkaren. Användning av oäkta delar kan skada maskinen och användaren. Håll gräsklipparen i fullgott arbetsskick.
- Kontakta servicecenter för att få hjälp om enheten som ska stoppa kniven inte fungerar.

### Transport och hantering

- När maskinen ska hanteras, resas upp, transporteras eller lutas ska du:
  - använda kraftiga arbetshandskar;
  - greppa maskinen på platser där du får säkert grepp samtidigt som du tar hänsyn till vikten och fördelningen av densamma;
  - se till att lämpligt antal personer finns tillgängliga i förhållande till maskinens vikt och egenskaper, eller platsen där den ska placeras eller plockas upp.
- Under transport ska maskinen säkras med rep eller kedjor.



**WARNING:** Rör inte roterande kniv.



**WARNING:** Tank i ett välventilerat utrymme med motorn avstängd.

### Underhåll och förvaring

- Se till att alla muttrar, bultar och skruvar är åtdragna för att alltid bibehålla utrustningen i säkert arbetsskick.
- Förvara aldrig utrustningen med bensin i tanken i en byggnad där ångor kan komma i kontakt med öppen eld eller gnistor.
- Låt motorn svalna innan du förvarar den i ett slutet utrymme. Rengör och underhåll gräsklipparen före förvaring.

## 3. BESKRIVNING AV DELAR (Fig. 1 och 2)

#### Inkluderar

- A: Tändstiftsnyckel
- B: Bioklippningskil

## 4. TEKNISK DATA

Modell	PLM4120N	PLM4620N
Motortyp	B&S 500E Serier	B&S 625E Serier
Självgående	Nej	Nej
Slagvolym	140 cm <sup>3</sup>	190 cm <sup>3</sup>
Nominell effekt	1,9 kW	2,4 kW
Knivbredd	410 mm	460 mm
Tomgångsvarvtal	2 800/min	2 800/min
Bränsletankvolym	0,8L	1,0L
Oljetankvolym	0,47L	0,6L
Kapacitet för gräsuppsamlarbehållaren	50L	60L

Modell	PLM4120N	PLM4620N
Nettovikt	26,0 kg	31,1 kg
Höjdställning	25 – 70 mm, 5 lägen	25 – 70 mm, 5 lägen
Garanterad ljudeffektnivå vid operatörens position (I enlighet med EN ISO 5395-1, bilaga F, och EN ISO 5395-2, EN ISO 4871)	84,6dB(A) (K=3dB(A))	83,5dB(A)(K = 3dB(A))
Uppmätt ljudeffektnivå	93,4dB(A) K=1,93dB(A)	93,6dB(A) K=2,47dB(A)
Garanterad ljudeffektnivå (I enlighet med 2000/14/EU)	96dB(A)	96dB(A)
Vibration (I enlighet med EN ISO 5395-1, bilaga G, och EN ISO 5395-2)	5,27 m/s <sup>2</sup> K=1,5m/s <sup>2</sup>	5,738 m/s <sup>2</sup> K=1,5m/s <sup>2</sup>

## 5. MONTERING

### 5-1 MONTERA DET FÄLLBARA HANDTAGET

- Fäst de nedre handtagsstängerna i klippdäcket med två satser bestående av bult, bricka och låsratt, såsom visas. (**Fig. 3, Fig. 4, Fig. 5, Fig. 6**)
- Fäll ut de övre handtagsstängerna. Sätt ihop det övre handtaget och det nedre handtaget med två satser bestående av bult, bricka och låsratt. (**Fig. 7, Fig. 8, Fig. 9**)
- Placera alla kablar över handtagsskaften. Kläm fast dem runt de nedre handtagens mitt med kabelhakarna så att kablarna är fästa på utsidan av maskinen. I annat fall kan kablarna nypas fast när stenskyddet öppnas/stängs eller tas tag i när det övre handtaget viks ihop. (**Fig. 10**)

### 5-2 MONTERA GRÄSUPPSAMLAREN

- Fastsättning: lyft upp stenskyddet och kroka fast gräsuppsamlaren på skaftet på gräsklipparens baksida. (**Fig. 11, Fig. 12**)
- Borttagning: ta tag i och lyft upp stenskyddet, ta bort gräsuppsamlaren.

### 5-3 STARTHANDTAG

Flytta starthandtaget från motorn till styrningen för startsnöret. (**Fig. 13, Fig. 14**)

### 5-4 KLIPPHÖJD

Tryck ut spaken för att frigöra den från stället. Flytta spaken framåt eller bakåt för att justera höjden. (**Fig. 15 och se paragraf 8-8**)

## 6. INSTÄLLNING AV EN PASSANDE HÖJD

- Dra ut låsratten som fäster det nedre handtaget. (**Fig. 16**)
- Se **Fig. 17**, flytta det lägre handtaget upp och ner, och justera det till passande höjd.  
Det finns 3 höjdlägen som kan väljas mellan på denna typ av gräsklippare. Vid läge 1 sänks handtaget till marken vilket är det högsta läget. Läge 3 är det lägsta.
- Ställ in passande höjd och fäst sedan det nedre handtaget med låsrattarna.



**VARNING:** Vänster och höger sida på det lägre handtaget måste ställas in på samma höjd.

## 7. 2 I 1

De här gräsklipparna kan ändras och få andra funktioner beroende på hur de ska användas:  
Från gräsklippare med gräsutkast bakåt och bioklippning. Vad är bioklipp?

Vid bioklipp klippas gräset i ett arbetssteg. När det är finhackat går det tillbaka till gräsmattan som naturligt gödningsmedel.

Tips för bioklippning:

- Regelbunden nedklippning av max. 2 cm bildar 6 cm till 4 cm gräslängd.
- Använd en vass skärkniv.
- Klipp inte blött gräs.
- Ställ in motorns maxhastighet.
- Fytta endast i arbetstakt.
- Rengör regelbundet bioklippningskilen, insidan av kåpan och den rörliga kniven.

### ETT: Byte av utrustning för bioklippning



**VARNING:** Endast med en avstängd motor och stillastående kniv.

- Lyft upp stenskyddet och ta bort gräsuppsamlaren.
- Tryck i bioklippningskilen i klippdäcket. Lås bioklippningskilen med knappen i öppningen på klippdäcket. (**Fig. 18, Fig. 19**)
- Sänk ner stenskyddet igen.

### TVÅ: Klippa med gräsuppsamlaren

- För klippning med gräsuppsamlaren ska bioklippningskilen tas bort och gräsuppsamlaren monteras.
- Borttagning av bioklippningskilen.
  - Lyft upp stenskyddet och ta bort bioklippningskilen.



**VARNING:** Endast med en avstängd motor och stillastående kniv.

## 8. ANVÄNDARINSTRUKTIONER

### 8-1 FÖRE START

Serva motorn med bensin och olja enligt instruktionerna i den separata bruksanvisningen för motorn, som medföljer din gräsklippare. Läs noggrant igenom instruktionerna.



**WARNING:** Bensin är mycket lättantändligt.

Förvara bränsle i speciella behållare som är avsedda för detta ändamål.

Tanka endast utomhus innan motorn startas och rök inte medan du fyller på eller hanterar bränslet.

Ta aldrig bort tanklocket eller fyll på med bensin medan motorn körs eller när motorn är het.

Försök inte att starta motorn om du har spillt bensin utan rulla bort maskinen från det området och undvik att skapa någon form av antändning förrän bensinångorna dunstat. Tillslut tanklock och bränslebehållare säkert.

Innan du lutar gräsklipparen för att utföra underhåll på kniven eller tömma ut oljan ska bränslet först tömmas ur tanken.



**WARNING:** Tanka aldrig inomhus, med motorn igång eller förrän motorn har svalnat i minst 15 minuter efter användning.

### 8-2 STARTA MOTORN OCH KOPPLA IN KNIVEN

1. Maskinen är utrustad med en gummihatt över änden på tändstiftet. Kontrollera att metallöglan på tändkabelns ände (inuti gummihatten) sitter fast ordentligt över metallspetsen på tändstiftet.
2. Tryck på primerknappen 3-5 gånger innan motorn startas. (Fig. 20)
3. Sätt chokereglaget till läget "☁", vid start av kall motor. Sätt chokereglaget till läget "☁☁", vid start av varm motor och vid användning. (Fig. 21)
4. Stå bakom gräsklipparen och ta tag i stoppkontrollhandtaget och håll det emot det övre handtaget, såsom visas i Fig. 22.
5. Ta tag i starthandtaget såsom visas i Fig. 22 och dra upp det snabbt. För tillbaka det sakta till styrningsläset efter det att motorn startat. Släpp stoppkontrollhandtaget för att stoppa motorn och kniven.



Starta motorn omsorgsfullt enligt instruktionerna och med fötterna på bra avstånd från kniven.



Luta inte gräsklipparen när motorn startas. Starta gräsklipparen på ett plant underlag, fritt från högt gräs och hinder.



Håll händer och fötter borta från roterande delar. Starta inte motorn när du står framför gräsutkastningsöppningen.

### 8-3 ANVÄNDNINGSPROCEDURER

Håll stoppkontrollhandtaget hårt med båda händerna under användning.



**Obs:** När stoppkontrollhandtaget släpps under användning, stoppar motorn vilket stoppar gräsklipparen för drift.



**WARNING!** För att undvika att gräsklipparen startas av misstag är den utrustad med en motorbroms som måste dras tillbaka innan motorn kan startas. När motorkontrollspaken släpps måste den återgå till det ursprungliga läget, då motorn automatiskt stängs av.



**Obs:** Motorbroms (bromshandtag): Använd spaken för att stoppa motorn. När du släpper upp spaken stoppar motorn och kniven automatiskt. För att klippa gräs, håll spaken i arbetsläget. Innan du påbörjar gräsklippningen, kontrollera start/stoppspaken flera gånger för att se till att den fungerar ordentligt. Se till att spännkabeln kan röra sig fritt (d.v.s. att den inte sitter fast eller tar emot någonstans).

### 8-4 STOPPA MOTORN



**FÖRSIKTIGHET:** Kniven fortsätter att rotera i några sekunder efter det att motorn har stängts av.

1. Släpp stoppkontrollhandtaget för att stoppa motorn och kniven.
2. Lossa och jorda tändkabeln enligt instruktion i den separata bruksanvisningen för motorn, för att förebygga oavsiktlig start medan utrustningen inte är under uppsikt.

### 8-5 FÖR BÄSTA RESULTATEN VID KLIPPNING

Rensa gräsmattan från skräp. Kontrollera gräsmattan så att den är fri från stenar, pinnar, kablar eller andra främmande föremål som oavsiktligt kan kastas ut av gräsklipparen i olika riktningar och orsaka användaren eller andra allvarlig skada, liksom skada på egendom och omgivande föremål. Klipp inte vått gräs. För effektiv klippning ska gräset inte klippas vått därför att det tenderar att fastna på undersidan av klippdäcket vilket förhindrar korrekt klippning av gräset. Klipp inte mer än 1/3 av gräsets längd.

Den rekommenderade klippningen är 1/3 av gräsets längd. Hastigheten måste justeras så att det avklippa gräset fördelas jämnt över gräsmattan. För särskilt tung klippning i tjockt gräs kan det vara nödvändigt att använda en av de långsamma hastigheterna för att få en ren och bra klippning. Vid klippning av långt gräs måste du kanske klippa gräsmattan i två omgångar och sänka kniven ytterligare 1/3 för den andra klippningen, och kanske klippa i en annan riktning än första gången.

Att överlappa klippningen lite varje gång hjälper också till att städa upp spritt avklippat gräs som blivit kvar på gräsmattan. Gräsklipparen ska alltid användas med fullt gaspådrag för att få den bästa klippningen och för att låta den göra det mest effektiva klippjobbet. Rengör undersidan av klippdäcket.



Se till att rengöra undersidan av klippdäcket efter varje användning för att undvika att gräs byggs upp, vilket skulle förhindra korrekt bioklippning. Klippning av löv: Klippning av löv kan också vara välgörande för din gräsmatta. Vid klippning av löv är det viktigt att se till att löven är torra och inte ligger i för tjockt lager på gräsmattan. Vänta inte på att alla löven ska ha fäljts innan du klipper.



**VARNING:** Om du slår emot ett främmande föremål, stänga av motorn. Ta bort tändkabeln och inspektera gräsklipparen noga så att det inte uppstått några skador och reparera eventuell skada innan du startar om och använder gräsklipparen. Om gräsklipparen vibrerar onormalt under användning tyder det på skada. Maskinen ska omedelbart kontrolleras och repareras.

## 8-6 GRÄSUPPSAMLARE

Töm och rengör behållaren och kontrollera att den är ren och att dess galler inte är igentäppt. (Fig. 23)

## 8-7 KLIPPDÄCK

Undersidan av gräsklipparen ska rengöras efter varje användning för att förhindra uppbyggnad av klippt gräs, löv, smuts och annat material. Om dessa spillror tillåts att ansamlas kommer det att bildas rost och anfrätningar samt förhindra korrekt bioklippning. Klippdäcket kan rengöras genom att luta gräsklipparen och skrapa rent med ett passande verktyg (kontrollera att tändkabeln inte är ansluten).

## 8-8 INSTRUKTIONER FÖR HÖJDINSTÄLLNING



**FÖRSIKTIGHET:** Utför aldrig någonsin några justeringar på gräsklipparen utan att först stänga av motorn och ta bort tändkabeln.



**FÖRSIKTIGHET:** Innan du ändrar klipphöjden ska motorn stängas av och tändkabeln kopplas bort. Din gräsklippare är utrustad med en central höjdställningsspak som erbjuder 5 höjdlägen.

1. Stanna gräsklipparen och koppla bort tändkabeln innan du ändrar klipphöjden.
2. Den centrala höjdställningsspaken erbjuder dig 5 olika höjdlägen.
3. För att ändra klipphöjden ska du trycka höjdställningsspaken mot hjulet och föra den upp eller ner för att välja höjd. (Fig. 24) Alla hjulen kommer att placeras på samma klipphöjd.

## 9. UNDERHÅLLSINSTRUKTIONER

### TÄNDSTIFT

Använd endast originaltändstift. Byt ut tändstiftet var 100:e användningstimme för bästa resultat. (se MOTORNS BRUKSANVISNING)

## BROMSBELÄGG

Kontrollera och/eller ersätt motorns bromsbelägg hos en servicerepresentant med regelbundna mellanrum, och använd endast originaldelar vid reservdelsbyte.

## 10. INSTRUKTIONER FÖR SMÖRJNING



**FÖRSIKTIGHET:** KOPPLA BORT TÄNDKABELN FÖRE SERVICE.

1. HJUL-Smörj kullagren i varje hjul åtminstone en gång per säsong med en tunn olja.
2. MOTOR-Följ smörjaranvisningarna i motorns bruksanvisning.
3. STOPPKONTROLL-Smörj leder på stoppkontrollhandtaget och dess kablar åtminstone en gång per säsong med tunn olja. Stoppkontrollen måste fungera fritt i båda riktningarna.

## 11. RENGÖRING



**FÖRSIKTIGHET:** Spola inte motorn med vattenslang. Vatten kan skada motorn eller kontaminera bränslesystemet.

1. Torka av klippdäcket med en torr trasa.
2. Spola under klippdäcket genom att luta gräsklipparen så att tändstiftet är uppåt.

### 11-1 MOTORNS LUFTRENARE



**FÖRSIKTIGHET:** Låt inte smuts eller damm täppa igen luftfiltrets skumplast.

Motorns luftrenare måste servas (rengöras) efter 25 timmars normal klippning. Skumplasten måste servas regelbundet om gräsklipparen används under torra och dammiga förhållanden. (se MOTORNS BRUKSANVISNING)

### RENGÖRING AV LUFTFILTER

1. För PLM4120N: Lyft upp flikarna som sitter på filterskyddet.  
För PLM4620N: Ta bort skruven.
2. Ta bort skyddet.
3. Tvätta filtret i tvålatten. **ANVÄND INTE BENSIN!**
4. Lufttorka filtret.
5. Sätt några droppar SAE30-olja på luftfiltrets skumplast och krama ihop hårt för att ta bort överskott av olja.
6. Montera tillbaka filtret.
7. Stäng filterkåpan.



**OBS:** Byt ut filtret om det är nött, trasigt, skadat eller inte går att rengöra. (Fig. 25 för PLM4120N)

## 11-2 KNIVBLAD



**FÖRSIKTIGHET:** Se till att koppla bort och jorda tändkabeln innan du utför arbete på knivbladet för att förebygga oavsiktlig start av motorn. Skydda händer genom att använda grova handskar eller en trasa för att ta tag i knivbladen.

Luta gräsklipparen enligt anvisning i den separata bruksanvisningen för motorn. Ta bort sexkantsbulten och brickan som fäster kniven och knivadaptern till motorns vevaxel. Ta bort kniven och adaptern från vevaxeln.



**WARNING:** Kontrollera knivadaptern då och då så att det inte uppstått sprickor, särskilt om du slagit emot ett främmande föremål. Byt ut vid behov.

För bästa resultat ska kniven vara vass. Kniven kan slipas på nytt genom att ta bort den och antingen slipa eller fila klippändarna och bevara originalvinkeln så bra som möjligt. Det är extremt viktigt att varje klippegg blir lika mycket slipad för att förebygga en obalanserad kniv. Felaktig knivbalans leder till mycket vibrationer som orsakar skada på motorn och gräsklipparen. Se till att noggrant balansera kniven efter slipningen. Kniven kan balanseras genom att balansera den på en rundskaftad skruvmejsel. Ta bort metall från den tunga sidan till den är i balans. (Fig. 26)

Innan du monterar tillbaka kniven och dess adapter på enheten ska motorns vevaxel och insidan på knivadaptern smörjas med en tunn olja. Montera knivadaptern på vevaxeln. Se Fig. 26. Placera kniven med numret för delen riktat bort från adaptern. Placera brickan rakt över hålet i kniven och sätt i sexkantsbulten. Fäst sexkantsbulten till de vridmoment som finns i listan nedan.

## 11-3 VRIDMOMENT FÖR KNIVMONTERING

Mittbulten måste dras åt till 35 - 45 Nm vridmoment. För att försäkra säker användning av din maskin, måste ALLA muttrar och bultar kontrolleras periodiskt för korrekt åtdragning. Efter långvarig användning, speciellt i sandig jord, kommer kniven att slitas och förlora endel av sin ursprungliga skärpa. Klippningen kommer inte att bli lika effektiv och kniven ska bytas ut.

Byt endast ut den mot en fabriksgodkänd reservkniv. Möjlig skada som orsakats av obalanserad kniv går inte under tillverkarens ansvar.

När du byter ut kniven måste du använda originaltypen som är märkt på kniven (MAKITA 263001433 för PLM4120N; MAKITA 263001451 för PLM4620N) (för att beställa kniven, kontakta din lokala återförsäljare eller ring vårt företag).



**WARNING:** Rör inte roterande kniv.

## 11-4 MOTOR

Se underhållsinstruktionerna i den separata bruksanvisningen för motorn.

Underhåll motoroljan enligt instruktion i en den separata bruksanvisningen för motorn, som medföljer din maskin. Läs igenom och följ instruktionerna noggrant.

Serva luftrenaren under normala förhållanden enligt den separata bruksanvisningen för motorn. Rengör var och varannan timme under extremt dammiga förhållanden. Dålig motorprestanda och överfyllning tyder vanligtvis på att luftrenaren ska servas.

Se den separata bruksanvisningen för motorn som medföljer din maskin, för hur luftfiltret ska rengöras. Tändstiftet ska rengöras och elektrodgapet återställas en gång per säsong. Utbyte av tändstift rekommenderas vid varje ny säsongstart. Kontrollera motorns bruksanvisning för korrekt tändstiftssort och instruktioner om elektrodgapet.

Rengör motorn regelbundet med en trasa eller borste. Håll kylsystemet (området kring fläktuset) rent för att tillåta ordentlig luftcirkulation, vilket är nödvändigt för motorns prestanda och liv. Var säker på att du får bort allt gräs, smuts och brännbara spillror från ljuddämparen.

## 12. FÖRVARINGSINSTRUKTIONER (AVSTÄLLNING)

Följande steg ska tas för att förbereda gräsklipparen inför förvaring.

1. Töm tanken efter sista klippningen för säsongen.
  - a) Töm bensintanken med en sugpump.



**FÖRSIKTIGHET:** Töm inte ut bensinen i ett stängt rum, i närheten av öppen eld etc. Rök inte! Bensinångor kan orsaka explosion eller brand.

- b) Starta motorn och låt den gå tills bensinen tar slut och motorn stannar.
  - c) Ta bort tändstiftet. Använd en oljekanna och fyll på med cirka 20 ml olja i förbränningskammaren. Rör på starthandtaget för att sprida oljan jämnt fördelat i förbränningskammaren. Byt ut tändstiftet.
2. Rengör och smörj gräsklipparen noggrant enligt beskrivningen ovan under rubriken "INSTRUKTIONER FÖR SMÖRJNING".
  3. Smörj kniven lätt för att undvika att den rostar.
  4. Förvara gräsklipparen på en torr, ren och frostskyddad plats, utom räckhåll för obehöriga.



**FÖRSIKTIGHET:** Motorn måste ha svalnat helt innan du ställer in gräsklipparen för förvaring.



**OBES:** Vid förvaring av alla typer av elektrisk utrustning i ett förråd som är oventilerat eller med annat material;

- Ska utrustningen vårdas för att inte rosta. Täck utrustningen med en tunn olja eller med silikon, speciellt kablar och alla rörliga delar.
- Var försiktig så att du inte böjer eller trasslar till kablarna.
- Om startsnöret hamnar utanför styrningen på handtaget ska du koppla bort och jorda tändkabeln, tryck ner kontrollhandtaget för kniven och sakta dra ut startsnöret från motorn. Låt startsnöret glida in i styrningslåset på handtaget.

## Transport

Stäng av motorn och låt motorn svalna. Koppla sedan från tändkabeln och töm bränsletanken i enlighet med anvisningarna i bruksanvisningen för motorn. Kontrollera så att du inte böjer eller skadar kniven när du för gräsklipparen över hinder.

## 13. FELSÖKNING

PROBLEM	SANNOLIK ORSAK	ÅTGÄRD
Motorn startar inte.	Choken är inte i rätt läge för rådande förhållanden.	Flytta choken till rätt läge.
	Bränsletanken är tom.	Fyll tanken med bränsle: se MOTORNS BRUKSANVISNING.
	Luftrenaren är smutsig.	Rengör luftrenaren: se MOTORNS BRUKSANVISNING.
	Tändstiftet är löst.	Dra åt tändstiftet till 25 - 30 Nm.
	Tändkabeln är lös eller bortkopplad från pluggen.	Montera tändkabeln på tändstiftet.
	Elektroddgapet på tändstiftet är felaktigt.	Sätt gapet mellan elektroderna vid 0,7 till 0,8 mm.
	Trasigt tändstift.	Montera ett nytt, korrekt elektroddgap: se MOTORNS BRUKSANVISNING.
	Förgasaren är översvämmad med bränsle.	Ta bort luftrenaren och dra i startsnöret kontinuerligt tills förgasaren rengör sig själv och montera sedan luftrenaren.
	Felaktig tändningsmodul.	Kontakta Makitas auktoriserade servicecenter.
Motorn är svårstartad eller verkar svag.	Smutsig, vattenfylld eller sliten bränsletank.	Töm ut bränslet och rengör tanken. Fyll tanken med rent och fräscht bränsle.
	Ventilationshålet i bränsletankslocket är blockerat.	Rengör eller byt ut bränsletankslocket.
	Luftrenaren är smutsig.	Rengör luftrenaren.
Motorn arbetar oregelbundet.	Tändstiftet är trasigt.	Montera ett nytt, korrekt elektroddgap: se MOTORNS BRUKSANVISNING.
	Elektroddgapet på tändstiftet är felaktigt.	Sätt gapet mellan elektroderna vid 0,7 till 0,8 mm.
	Luftrenaren är smutsig.	Rengör luftrenaren: se MOTORNS BRUKSANVISNING.
Motorn går dåligt på tomgång.	Luftrenaren är smutsig.	Rengör luftrenaren: se MOTORNS BRUKSANVISNING.
	Luftspringor i motorhöljet är blockerade.	Ta bort skräp från springorna.
	Kylflänsar och luftpassager under motorns fläkthus är blockerade.	Ta bort skräp från kylflänsarna och luftpassagera.
Motorn hackar vid hög hastighet.	Gapet mellan tändstiftets elektroder är för tätt.	Sätt gapet mellan elektroderna vid 0,7 till 0,8 mm.
Motorn överhettas.	Kylflödet är begränsat.	Ta bort skräp från springorna i höljet, fläkthuset, luftpassagera.
	Felaktigt tändstift.	För PLM4120N, montera RC12YC eller QC12YC tändstift och kylflänsar på motorn. För PLM4620N, montera RJ19LMC tändstift och kylflänsar på motorn.
Gräsklipparen vibrerar onormalt.	Klippmonteringen är lös.	Dra åt kniven.
	Klippmonteringen är obalanserad.	Balansera kniven.

## 14. MILJÖ

Skulle du behöva byta ut din maskin efter långvarig användning får du inte slänga den i hushållssoporna utan avfallshantera den på ett miljövänligt sätt.

### Gäller endast Europa

#### EU-deklaration om överensstämmelse

#### Makita intygar att följande maskin(er):

Maskinbeteckning:

Bensindriven gräsklippare

Modellnr./typ: PLM4120N, PLM4620N

Specifikationer: Se "4. TEKNISK DATA"

#### uppfyller följande Europeiska direktiv:

2004/108/EU, 2006/42/EU, 2000/14/EU och 2005/88/  
EU

Är tillverkade i enlighet med följande standard eller standardiserade dokument:

EN ISO 5395-1, EN ISO 5395-2, EN ISO 14982

Den tekniska dokumentationen enligt 2006/42/EU finns tillgänglig på följande adress:

Makita, Jan-Baptist Vinkstraat 2, 3070, Belgien

Konformitetsgodkännandet som krävs av direktivet 2000/14/EU har utförts av Annex VI.

Anmält organ:

TÜV SÜD Industrie Service GmbH

Westendstrasse 199, D-80686 München, Tyskland

Identifikationsnummer: 0036

PLM4120N

Uppmätt ljudeffektnivå: 93,4 dB

Garanterad ljudeffektnivå: 96 dB

PLM4620N

Uppmätt ljudeffektnivå: 93,6 dB

Garanterad ljudeffektnivå: 96 dB

22.8.2014



Yasushi Fukaya

Direktör

Makita, Jan-Baptist Vinkstraat 2, 3070, Belgien

- |                         |                            |                    |
|-------------------------|----------------------------|--------------------|
| 1. Øvre håndtak         | 6. Gressoppsamler          | 11. Oljelokk       |
| 2. Stoppkontrollhåndtak | 7. Spak for høydejustering | 12. Kabelklemme    |
| 3. Gasshåndtak          | 8. Deksel                  | 13. Sperreknapp    |
| 4. Starthåndtak         | 9. Tennplugg               | 14. Rask hastighet |
| 5. Snørføring           | 10. Drivstofflokk          | 15. Treg hastighet |



**ADVARSEL**

Av hensyn til din egen sikkerhet bør du lese denne håndboken før du tar den nye enheten din i bruk. Hvis du ikke følger anvisningene, kan det medføre alvorlige helseskader. Hver gang du skal bruke gressklipperen din, bør du ta deg tid til å gjøre deg kjent med den igjen. Oppbevar denne håndboken på et trygt sted, så informasjonen alltid er lett tilgjengelig. Hvis du overlater utstyret til en annen person, må du gi vedkommende disse bruks- og sikkerhetsanvisningene også.

**Riktig bruk**

Utstyret må kun brukes til oppgaver den er konstruert for å utføre. Enhver annen bruk regnes for å være feilaktig bruk. Brukeren eller operatøren, og ikke produsenten, vil være ansvarlig for eventuelle skader på gjenstander eller personer dette måtte medføre.

Den bensindrevne gressklipperen er beregnet på privat bruk, dvs. i hjemme- eller hagemiljø.

Privat bruk av gressklipperen betyr en årlig driftstid som vanligvis ikke overstiger 50 timer, og som hovedsakelig går med til å vedlikeholde mindre plener i boligområder eller i tilknytning til hytter e.l. Bruk i tilknytning til offentlige institusjoner, idrettshaller og jord- eller skogbruk omfattes ikke.

Vær oppmerksom på at utstyret vårt ikke er konstruert for bruk i kommersiell, næringsmessig eller industriell sammenheng. Garantien vår gjelder ikke hvis maskinen brukes i forretningsøyemed innen handel, industri eller annen næring, eller for tilsvarende formål.

Produsentens medfølgende anvisninger for bruk må følges og leses for å sikre at gressklipperen brukes og vedlikeholdes på riktig måte. Anvisningene inneholder nyttig informasjon om bruk, vedlikehold og service.

Viktig! Som følge av den store faren for personskade på brukeren, må gressklipperen ikke brukes til å trimme busker, hekker eller underskog, kutte skrånende vegetasjon, tak med gress på, gress på balkonger, suge opp smuss og rusk fra fortau, eller til å kappe kvister fra trær eller hekker. Gressklipperen skal heller ikke brukes som motordrevet jordfreser for å jevne ut forhøyninger som f.eks. muldvarphauger.

Av sikkerhetshensyn skal gressklipperen ikke brukes som drivenhet for annen arbeidsredskap eller noe slags verktøystett.

**1. SYMBOLER SOM ER MARKERT PÅ PRODUKTET (på det bakre dekselet)**



Les bruksanvisningen.



Hold tilskuere unna.



Vær oppmerksom på hender og føtter mens maskinen er i bruk for å unngå personskader.



Giftige gasser: Ikke bruk maskinen innendørs.



Drivstoffet er brannfarlig, hold åpen ild borte. Ikke fyll på drivstoff mens motoren er i gang.



Bruk personlig verneutstyr, som vernebriller og øreplugger, mens gresset klippes.



Ved reparasjonsarbeid, fjern tennpluggen og utfør reparasjonsarbeidet i samsvar med bruksanvisningen.



Forsiktig: Motoren er varm.



Slipp bryterspaken for å stanse motoren.

## 2. GENERELLE SIKKERHETSREGLER



**ADVARSEL:** Når du bruker bensindrevne verktøy, må du alltid følge de grunnleggende sikkerhetsanvisningene, inklusive anvisningene nedenfor. Dette vil redusere faren for alvorlige personskader og/eller skader på enheten.

Les gjennom hele bruksanvisningen før du tar i bruk dette produktet, og oppbevar bruksanvisningen for fremtidig referanse.



**ADVARSEL:** Denne maskinen produserer et elektromagnetisk felt under drift. Dette feltet kan i enkelte tilfeller forstyrre aktive eller passive medisinske implantater. For å redusere risikoen for alvorlig eller livsfarlig personskade, anbefaler vi personer med medisinske implantater å konsultere deres lege og produsenten av det medisinske implantatet før de bruker denne maskinen.

### Opplæring

- Les nøye gjennom bruksanvisningen. Gjør deg kjent med kontrollene og sett deg inn i hvordan utstyret fungerer. Lær hvordan du stopper motoren raskt.
- Bruk gressklipperen kun til det formålet den er laget for dvs. å kutte og samle opp gress. All annen bruk kan være farlig og forårsake skade på maskinen. Eksempler på feilaktig bruk kan omfatte, men er ikke begrenset til:
  - transport av mennesker, barn eller dyr på maskinen;
  - som blir transportert av maskinen;
  - bruk av maskinen til å taue eller skyve;
  - bruk av maskinen for oppsamling av løv eller rusk og rask;
  - bruk av maskinen for å trimme hekker eller for kutting av annen vegetasjon enn gress;
  - flere enn én person som bruker maskinen;
  - bruk av bladet på overflater med annet enn gress.
- La aldri barn eller personer som ikke er kjent med denne bruksanvisningen, bruke gressklipperen. Lokale bestemmelser kan omfatte aldersgrenser for bruk av utstyret.
- Bruk aldri gressklipperen:
  - når mennesker, særlig barn og kjæledyr er i nærheten;
  - hvis operatøren har tatt medisiner eller medikamenter som kan påvirke evnen til å reagere og være konsentrert.
- Husk at operatøren eller brukeren er ansvarlig for ulykker eller faresituasjoner som kan oppstå for andre personer eller på deres eiendom.
- Brukerne må få ordentlig opplæring i bruk, justering og drift av maskinen, inkludert informasjon om hva det ikke er tillatt å bruke den til.

### Forberedelser

- Bruk alltid solid fottøy og langbukser når du bruker gressklipperen. Ikke bruk utstyret barbeint eller med åpne sandaler.
- Inspiser grundig området hvor utstyret skal brukes, og fjern alle gjenstander som maskinen kan komme til å slynge avgårde, som steiner, leketøy, pinner og ledninger.
- **ADVARSEL** - Bensin er meget brannfarlig.
  - Oppbevar drivstoffet i beholdere som er spesielt beregnet til dette formålet;
  - Etterfyll drivstoff kun utendørs, og ikke røyk under fylling av drivstoff;
  - Fyll på drivstoff før du starter motoren. Du må aldri fjerne lokket på drivstofftanken eller fylle på bensin mens motoren er i gang eller motoren er varm;
  - Hvis det søles drivstoff, må du ikke starte motoren, men flytte maskinen bort fra det tilsølte området for å unngå å skape en tennkilde før bensindampen har forsvunnet;
  - Sett alle lokkene til drivstofftank og beholder godt på igjen.
- Erstatt defekte lyddempere.
- Før bruk må du alltid inspisere maskinen for å sjekke at blader, bladbolter og skjæreverket ikke er slitt eller skadet. Erstatt hele settet av slitte eller skadde blader og bolter for å opprettholde balansen.
- Kontroller jevnlig at alle startfjorriglinger og kontroller som fungerer etter dødmannsknapp-prinsippet (stopper f.eks. motoren hvis operatøren ikke er tilstede), fungerer som de skal.

### Drift

- Ikke start motoren på et innestengt område ettersom farlige karbonmonoksidgasser kan samle seg opp.
- Ikke bruk maskinen hvis du er trett, syk eller er påvirket av alkohol eller legemidler.
- **Advarsel!** Ikke bruk gressklipperen hvis det er fare for lynnedslag.
- Det anbefales å begrense varigheten av arbeidet, for å redusere risikoen som er forbundet med støy og vibrasjoner.
- Vær forsiktig når du bruker gressklipperen i skråninger og i nærheten av stup, grøfter eller veifyllinger.
- Bruk gressklipperen bare i dagslys eller ved god kunstig belysning.
- Unngå å bruke gressklipperen i vått gress, der det lar seg gjøre.
- Pass på at du har godt fotfeste i skråninger.
- Gå, ikke løp.
- For roterende maskiner med hjul, klipp på tvers av skråninger, aldri oppover og nedover.
- Vær svært forsiktig under endring av retning i skråninger.
- Ikke klipp allfor bratte skråninger.
- Vær uhyre forsiktig når du skal rygge eller trekke gressklipperen mot deg.
- Stans bladet eller bladene hvis gressklipperen må skråstilles for transport når du må krysse andre bakkeunderlag enn gress og når du transporterer gressklipperen til og fra området hvor den skal brukes.
- Du må aldri bruke gressklipperen hvis vernebeskyttelse er defekte eller sikkerhetsinnretningene ikke er på

- plass, for eksempel ledeplater og/eller gressoppsamlere.
- Forsiktig: Gressklipperen skal ikke brukes uten at hele gressfangeren eller det selvlukkende vernet for utkaståpningen er på plass.
  - Ikke endre innstillingene på motorens turtallsregulator, og ikke kjør motoren med for stor hastighet.
  - Ikke endre eller tukle med forseglede justeringsmekanismer for motorens hastighetsstyring.
  - Gressklipperen sikkerhetssystemer eller -funksjoner må ikke tukles med eller settes ut av drift.
  - Løsne alle inngrep for blader eller drivverk før du starter maskinen.
  - Start motoren forsiktig i samsvar med instruksjonene og med føttene godt borte fra bladet eller bladene.
  - Ikke skråstill gressklipperen mens du starter motoren.
  - Ikke start motoren mens du står foran utløpsrennen.
  - Ikke plasser hender eller føtter nær eller under roterende deler. Hold deg hele tiden borte fra utløpsåpningen.
  - Du må aldri løfte eller bære en gressklipper mens motoren er i gang.
  - Stopp motoren og kople fra tennpluggledningen, påse at alle bevegelige deler har fullstendig stoppet og, dersom maskinen er utstyrt med nøkkel, fjern nøkkelen:
    - før du fjerner tilstopninger eller blokkeringer i rennen;
    - før du kontrollerer, rengjør eller utfører arbeid på gressklipperen;
    - etter at du har truffet et fremmedlegeme. Inspiser gressklipperen for skade, og reparer før du starter og bruker gressklipperen på nytt;
    - hvis gressklipperen begynner å vibrere unormalt (kontroller umiddelbart).
  - Stopp motoren og kople fra tennpluggledningen, påse at alle bevegelige deler har fullstendig stoppet og, dersom maskinen er utstyrt med nøkkel, fjern nøkkelen:
    - hver gang du forlater gressklipperen,
    - før du etterfyller drivstoff.

- Reduser gassens innstilling mens motoren slås av og, hvis motoren er utstyrt med en stengeventil, steng drivstofftilførselen etter at klippingen er ferdig.
- Bruk gressklipperen kun til det formålet den er laget for: å kutte og samle opp gress. All annen bruk kan være farlig og forårsake skade på maskinen.

### Vedlikehold og oppbevaring

- Hold alle mutre, bolter og skruer strammet for å sikre at utstyret er i god driftsmessig stand.

## 4. TEKNISKE DATA

Modell	PLM4120N	PLM4620N
Motortype	B&S 500E-Serien	B&S 625E-Serien
Selvdrevet	Nei	Nei
Motorvolum	140 cm <sup>3</sup>	190 cm <sup>3</sup>
Nominell effekt	1,9 kW	2,4 kW
Bladbredde	410 mm	460 mm
Tomgangsturtall	2 800/min	2 800/min

- Utstyret må aldri oppbevares innendørs med bensin i tanken, ettersom gasser kan nå en åpen flamme eller gnist.
- La maskinen kjøles seg ned før du setter den bort etter bruk. Rengjør og vedlikehold gressklipperen før lagring.
- For å redusere brannfaren skal motoren, lydemperen, batterirommet og bensinoppbevaringsområdet holdes fri for gress, løv eller overflødig fett.
- Sjekk gressoppsamleren ofte for slitasje eller skader.
- Erstatt slitte og skadde deler for å øke sikkerheten.
- Hvis drivstofftanken må tappes, skal dette gjøres utendørs.
- Feilaktig vedlikehold, bruk av reservedeler som ikke passer til maskinen, eller fjerning eller modifisering av sikkerhetskomponenter kan ødelegge gressklipperen og påføre brukerne alvorlige personskader.
- Bruk kun blader og reservedeler som produsenten har anbefalt. Bruk av deler som ikke er originale, kan skade maskinen og brukerne. Sørg for at gressklipperen holdes i god stand.
- Hvis bladstopperen ikke fungerer, må du ta kontakt med servicesenteret for å få hjelp.

### Transport og håndtering

- Når maskinen skal håndteres, heves, transporteres eller tiltes må du:
  - bruke sterke arbeidshansker;
  - grip maskinen der du får et sikkert tak, og ta hensyn til vekt og frakting av maskinen;
  - få tilstrekkelig hjelp i forhold til vekt og egenskaper til maskinen eller stedet der den skal plasseres eller hentes.
- Fest maskinen forsvarlig ved bruk av tau eller kjetting under transport.



**ADVARSEL:** Ikke berør roterende blader.



**ADVARSEL:** Fylling av drivstoff skal kun skje i godt ventilert område med motoren avslått.

## 3. BESKRIVELSE AV DELER (Fig. 1 og 2)

### Inkludert

- A: Tennpluggnøkkel
- B: Komposteringskile

Modell	PLM4120N	PLM4620N
Drivstofftankvolum	0,8L	1,0L
Oljetankvolum	0,47L	0,6L
Volum for gressoppsamlerpose	50L	60L
Nettvekt	26,0 kg	31,1 kg
Høydejustering	25 – 70 mm, 5 justering	25 – 70 mm, 5 justering
Garantert lydeffektnivå der operatøren befinner seg (I henhold til NS-EN ISO 5395-1 tillegg F og NS-EN ISO 5395-2, NS-EN ISO 4871)	84,6dB(A) (K=3dB(A))	83,5dB(A) (K = 3dB(A))
Målt lydeffektnivå	93,4dB(A) K=1,93dB(A)	93,6dB(A) K=2,47dB(A)
Garantert lydeffektnivå (I henhold til 2000/14/EF)	96dB(A)	96dB(A)
Vibrasjoner (I henhold til NS-EN ISO 5395-1 tillegg G og NS-EN ISO 5395-2)	5,27 m/s <sup>2</sup> K=1,5m/s <sup>2</sup>	5,738 m/s <sup>2</sup> K=1,5m/s <sup>2</sup>

## 5. MONTERING

### 5-1 MONTERING AV FOLDEHÅNDTAKET

- Fest det lavere håndtaket på enheten med to sett av bolt, skive og sperreknapp som vist. (**Fig. 3, Fig. 4, Fig. 5, Fig. 6**)
- Løsne det øvre håndtaket for bretting. Koble sammen det øvre og nedre håndtaket med de to settene med bolt, skive og sperreknapp. (**Fig. 7, Fig. 8, Fig. 9**)
- Plasser alle kabler over håndtakene. Klem dem rundt midten av de lavere håndtakene med kabelklemmene slik at kablene er festet på utsiden av maskinen. Ellers kan kabler komme i klem ved å åpne/lukke bakdekslet eller tvunget ved å brette det øvre håndtaket. (**Fig. 10**)

### 5-2 MONTERING AV GRESSOPPSAMLEREN

- For å feste: Løft bakdekslet og heng gressoppsamleren på håndtaket på baksiden av gressklipperen. (**Fig. 11, Fig. 12**)
- For å fjerne: Grip tak i og løft bakdekslet; fjern gressoppsamleren.

### 5-3 STARTHÅNDTAK

Flytt starthåndtaket fra motoren til snorføringen. (**Fig. 13, Fig. 14**)

### 5-4 KUTTEHØYDE

Bruk utvendig trykk for å løsne spaken fra tannskiven. Flytt spaken frem eller tilbake for å justere høyden. (**Fig. 15 og se klausul 8-8**)

## 6. JUSTERING FOR EN PASSENDE HØYDE

- Ta ut sperreknappen som festet det nedre håndtaket. (**Fig. 16**)
- Se **Fig. 17**, beveg det nedre håndtaket opp eller ned, juster det til passende høyde. Det er 3 justeringshøyder å velge mellom på denne gressklipperen. Ved høyde 1, er det nedre håndtaket høyest; høyde 3 er det laveste.

- 3) Juster til passende høyde, fest deretter det nedre håndtaket med sperreknappene.



**ADVARSEL:** Venstre og høyre side må være justert til samme høyde.

## 7. 2-i-1

Disse gressklipperne kan modifiseres fra sin vanlige funksjon, avhengig av formål: Fra gressklipper med bakutslipp og komposteringsklipper. Hva er kompostering? Under komposteringsklipping blir gresset klippet i ett arbeidstrinn, deretter oppkuttet og ført tilbake til gressplenen som naturlig gjødsel.

Tips for komposteringsklipping:

- Vanlig nedskjæring med maks 2 cm fra 6 cm til 4 cm gresshøyde.
- Bruk en skarp klippekniv.
- Ikke klipp vått gress.
- Still inn maks. motorhastighet.
- Flytt maskinen kun i arbeidstempo.
- Rengjør komposteringskile, husets innside og klippebladet.

### EN: Modifisering for komposteringsklipper



**ADVARSEL:** Kun når motoren er stoppet og skjæreverket står stille.

- Løft bakdekslet og fjern gressoppsamleren.
- Skyv komposteringskilen inn i dekslet. Lås komposteringskilen med knappen inn i åpningen på dekslet. (**Fig. 18, Fig. 19**)
- Senk bakdekslet på nytt.

### TO: Klipping med gressoppsamleren

- For klipping med gressoppsamleren, fjern komposteringskilen og monter gressoppsamleren.
- Fjerning av komposteringskile.
  - Løft bakdekslet og fjern komposteringskilen.





**ADVARSEL:** Kun når motoren er stoppet og skjæreverket står stille.

## 8. DRIFTSINSTRUKSER

### 8-1 FØR START

Vedlikehold motoren med bensin og olje som angitt i den egne bruksanvisningen som fulgte med gressklipperen. Les nøye gjennom instruksjonene.



**ADVARSEL:** Bensin er meget brannfarlig. Oppbevar drivstoffet i beholdere som er spesielt beregnet til dette formålet.

Etterfyll drivstoff kun utendørs før motoren startes, og ikke røyk mens du fyller eller håndterer drivstoff. Du må aldri fjerne lokket på drivstofftanken eller fylle på bensin mens motoren er i gang eller motoren er varm. Hvis det søles drivstoff, må du ikke starte motoren, men flytte maskinen bort fra det tilsølte området for å unngå å skape en tennkilde før bensindampen har forsvunnet. Sett alle loddene til drivstofftank og beholder godt på igjen. Før du velter gressklipperen for å vedlikeholde bladet eller tappe olje, må drivstoffet fjernes fra tanken.



**ADVARSEL:** Du må aldri fylle drivstoff i tanken innendørs, mens motoren er i gang, eller før motoren har fått avkjølt seg i minst 15 minutter etter drift.

### 8-2 STARTE MOTOREN OG KOPLE INN BLADET

1. Enheten er utstyrt med en gummihette over enden på tennpluggen. Påse at metallbøylen på enden av tennpluggledningen (inne i gummihetten) er festet sikkert over metallspissen på tennpluggen.
2. Trykk primeren 3 - 5 ganger før du starter motoren. (Fig. 20)
3. Ved kaldstart, drei gasshåndtaket til posisjonen "☁". Ved varmstart og drift, drei gasshåndtaket til posisjonen "☁". (Fig. 21)
4. Stå bak maskinen, grip tak i stoppkontrollhåndtaket og hold det mot det øvre håndtaket som vist i Fig. 22.
5. Grip tak i starthåndtaket som vist i Fig. 22, og trekk det raskt opp. Returner det langsomt til snorføringsbolten når motoren har startet. Slipp stoppkontrollhåndtaket for å stoppe motoren og bladet.



Start motoren forsiktig i samsvar med instruksjonene og med føttene godt borte fra bladet.



Ikke skråstill gressklipperen mens du starter motoren. Start gressklipperen på et jevnt underlag, fritt for høyt gress eller hindringer.



Hold hendene og føttene borte fra roterende deler. Ikke start motoren mens du står foran utløpsåpningen.

### 8-3 DRIFTSPROSEDYRER

Hold stopphåndtaket godt fast med begge hender under drift.



**Merk:** Under drift vil motoren stoppe når du slipper stoppkontrollhåndtaket, slik at gressklipperen stopper.



**ADVARSEL!** For å unngå at gressklipperen startes uten at det var meningen, er den utstyrt med en motorbrems som må trekkes til før motoren kan startes. Når motorstyringsspaken slippes, må den gå tilbake til sin opprinnelige stilling. Da slås motoren av automatisk.



**Merk:** Motorbrems (bremsehåndtak): Bruk spaken til å stoppe motoren. Når du slipper spaken, stopper motoren og bladet automatisk. For å klippe gresset må du holde spaken i arbeidsstillingen. Før du begynner å klippe gresset, må du kontrollere start/stopp-spaken flere ganger, for å være sikker på at den fungerer som den skal. Forviss deg om at trekkwiren fungerer jevnt (dvs. at den ikke setter seg fast eller har krøllet seg på noen måte)

### 8-4 STOPPE MOTOREN



**FORSIKTIG:** Bladet fortsetter å rotere et par sekunder etter at motoren er slått av.

1. Slipp stoppkontrollhåndtaket for å stoppe motoren og bladet.
2. Kople fra og jorde tennpluggledningen som angitt i motorens separate bruksanvisning for å forhindre at motoren kan starte ved et uhell mens den er uten tilsyn.

### 8-5 FOR BEST MULIG RESULTAT UNDER KLIPPING

Rens plenen for hagerusk. Forsikre deg om at plenen er fri for steiner, greiner, ledninger eller andre fremmedlegemer, som kan bli slynget tilfeldig utover av gressklipperen i alle retninger og forårsake alvorlige personskader for brukeren og andre eller skader på eiendom eller gjenstander i omgivelsene. Ikke klipp vått gress. For effektiv klipping, ikke klipp vått gress, fordi det har en tendens til å feste seg på undersiden av dekslet og forhindre at gresset klippes skikkelig. Ikke klipp mer enn 1/3 av gressets lengde. Anbefalt skjærehøyde ved gressklipping er 1/3 av gressets lengde. Opphakkingshastigheten må justeres, slik at avklippet kan fordeles jevnt ned i plenen. For særlig tung klipping i tykt gress kan det være nødvendig å bruke en av de langsomste hastighetene for å få en ren, godt format klipping. Når du klipper høyt gress, kan det hende at du må klippe plenen i to omganger og senke bladet ytterligere 1/3 av lengden for den andre klippingen og kanskje klippe i et annet mønster enn det du brukte i den første omgangen. Det er også lurt å overlape klippingen i hver omgang for å få med eventuelt spredt avskjær som ligger igjen på

plenen. Gressklipperen bør alltid drives med full gass for å få det beste klipperesultatet og for at maskinen skal kunne gi full klippeeffect. Rengjør dekselets underside. Påse at du rengjør undersiden av dekselet på gressklipperen etter hver gangs bruk for å unngå at gresset samler seg opp, for dette forhindrer skikkelig kompostering.

Klippe blader og løv: Plenen din kan også ha godt av at du klipper løvet. Når du klipper løv, må du påse at løvet er tørt og ikke ligger for tykt på plenen. Ikke vent til alle bladene har falt av trærne før du klipper dem.



**ADVARSEL:** Hvis du støter borti et fremmedlegeme, stopp motoren. Fjern ledningen fra tennpluggen, undersøk gressklipperen grundig for eventuelle skader, og reparer skaden før du starter og bruker gressklipperen igjen. Økt vibrasjon i gressklipperen under drift er et tegn på skade. Da må maskinen øyeblikkelig inspiseres og repareres.

## 8-6 GRESSOPPSAMLER

Tøm og rengjør posen, kontroller at den er ren og sikre at nettingen er ventilert. (Fig. 23)

## 8-7 DEKSEL

Undersiden av dekselet på gressklipperen bør rengjøres etter hver gangs bruk for å forhindre at gressrester, løv, skitt eller annen materie kan samle seg opp. Hvis dette får samle seg opp, vil det føre til rust og korrosjon og kan forhindre skikkelig kompostering. For å rengjøre under dekselet, vipp gressklipperen over på siden, og skrap undersiden av dekselet rent med et passende verktøy (forsikre deg om at tennpluggledningen er koplet fra).

## 8-8 INSTRUKSJONER FOR HØYDEJUSTERING



**FORSIKTIG:** Du kan ikke på noe tidspunkt utføre justeringer til gressklipperen uten først å stoppe motoren og koble fra tennpluggkabelen.



**FORSIKTIG:** Før du endrer klippehøyden, stopp klipperen og koble fra tennpluggledningen. Klipperen er utstyrt med en sentral høydejusteringsspake med 5 høydeposisjoner.

1. Stopp gressklipperen og koble fra tennpluggledningen før du endrer gressklipperens skjærehøyde.
2. Den sentrale høydejusteringsspaken har 5 ulike høydeposisjoner.
3. For å endre skjærehøyden, press justeringsspaken mot hjulet og beveg den opp eller ned til ønsket høyde (Fig. 24). Alle hjulene vil være på samme skjærehøyde.

## 9. VEDLIKEHOLDSINSTRUKSJONER

### TENNPLUGG

Bruk kun original reservedelstennplugg. For best resultat, skift ut tennpluggen etter hver 100. driftstime. (se MOTORENS BRUKSANVISNING)

## BREMSEKLOSSER

Få kontrollert og/eller skiftet motorens bremseskiver på et serviceverksted med jevne mellomrom. Bruk kun originaldeler.

## 10. SMØREINSTRUKSJONER



**FORSIKTIG:** KOPLE FRA TENNPLUGGEN FØR VEDLIKEHOLD.

1. HJUL - Smør kulelagrene i hvert hjul med en lett olje minst en gang i sesongen.
2. MOTOR - Følg angivelsene i motorens bruksanvisning for smøring.
3. STOPPKONTROLL - Smør leddpunktene på stoppkontrollhåndtaket og stoppkabelen med en lett olje minst en gang i sesongen. Stoppkontrollen skal kunne bevege seg fritt i begge retninger.

## 11. RENGJØRING



**FORSIKTIG:** Ikke sprut vann på motoren. Vannet kan skade motoren eller forurense drivstoffsystemet.

1. Tørk av dekselet med en tørr klut.
2. Sprut vann under dekselet når gressklipperen er skråstilt, slik at tennpluggen vender opp.

### 11-1 MOTORENS LUFTFILTER



**FORSIKTIG:** Ikke la skitt eller støv tilstoppe luftfilterets skumelement.

Motorens luftfilterelement må vedlikeholdes (rengjøres) etter 25 timers normal gressklipping. Skumelementet må vedlikeholdes regelmessig hvis gressklipperen har vært brukt under tørre, støvete forhold. (se MOTORENS BRUKSANVISNING)

### RENGJØRE LUFTFILTER

1. For PLM4120N: Løft klaffene på toppen av filterdekselet.  
For PLM4620N: Fjern skruen.
2. Fjern dekselet.
3. Vask filterelementet i såpevann. **IKKE BRUK BENSIN!**
4. La tørrfilterelementet lufttørke.
5. Påfør et par dråper SAE30-olje på skumfilteret, og press det godt sammen for å fjerne overflødig olje.
6. Sett filteret på plass igjen.
7. Lukk filterdekselet.



**MERK:** Skift filteret dersom det er slitt, opprevet, skadet eller ikke lar seg rengjøre. (Fig. 25 for PLM4120N)

### 11-2 SKJÆREBLAD



**FORSIKTIG:** Pass på at du kopler fra og jorder tennpluggledningen før du arbeider på skjærebladet for å

unnåå at motoren starter ved et uhell. Beskytt hendene med kraftige hansker eller en klut når du griper tak i skjærebladene. Vipp gressklipperen over på siden som spesifisert i egen bruksanvisning for motoren. Fjern sekskantskruen og skiven som holder bladet og bladadapteren til motorens veivaksel. Fjern bladet og adapteren fra veivakselen.



**ADVARSEL:** Inspiser bladadapteren regelmessig for sprekker, spesielt hvis du treffer et fremmedlegeme. Skift ut hvis nødvendig.

For best resultat bør bladet være skarpt. Bladet kan skjerpes på nytt ved at du fjerner det og enten sliper eller filer skjæreeggen så nært den originale eggen som mulig. Det er uhyre viktig at hver skjæreegg slipes like mye for å hindre at bladet blir ubalansert. Uriktig bladbalanse fører til overdreven vibrasjon, som kan forårsake skade på motoren og gressklipperen. Pass godt på at du balanserer bladet etter sliping. Bladet kan testes for balanse ved å balansere det på en skrutebrett med rundt skaft. Fjern metall fra den tunge siden, til det balanseres jevnt.

#### (Fig. 26)

Før bladet og bladadapteren monteres igjen på maskinen, smør motorens veivaksel og bladadapterens innvendige flater med en lett olje. Monter bladadapteren på veivakselen. Se Fig. 26. Plasser bladet med delenummeret vendt bort fra adapteren. Innrett skiven over bladet, og sett inn sekskantskruen. Stram sekskantskruen til det tiltrekkingsmomentet som er opplistet nedenfor.

### 11-3 TILTREKKINGSMOMENT FOR MONTERING AV BLAD

Senterbolten må strammes til 35 - 45 Nm tiltrekkingsmoment. Sørge for sikker drift av enheten. ALLE mutre og skruer må kontrolleres regelmessig for korrekt stramming. Etter lengre tids bruk, særlig i betingelser med mye sand, blir bladet slitt og mister litt av sin opprinnelige form. Skjæringen blir mindre effektiv, og bladet bør skiftes.

Bruk kun et nytt blad av godkjent fabrikkat ved utskiftning. Produsenten overtar intet ansvar for mulige skader som skyldes forhold som ubalansert blad.

Når du skifter bladet, må du kun bruke original type, merket på bladet (MAKITA 263001433 for PLM4120N; MAKITA 263001451 for PLM4620N) (for bestilling av blad, kontakt din lokale forhandler eller ring til vårt selskap).



**ADVARSEL:** Ikke berør roterende blader.

### 11-4 MOTOREN

Les motorens egen bruksanvisning for instruksjoner om vedlikehold av motoren.

Etterfyll motorolje som angitt i motorens egne bruksanvisning som fulgte med gressklipperen din.

Les og følg instruksjonene nøye.

Vedlikehold luftfilteret under normale betingelser ifølge motorens bruksanvisning. Rengjør det etter et par timers drift ved ekstremt støvede betingelser. Dårlig motorytelse og overoppylling er som regel et tegn på at luftfilteret bør vedlikeholdes.

Les i motorens egen bruksanvisning som fulgte med maskinen angående vedlikehold av luftfilteret. Tennpluggen bør rengjøres og åpningen tilbakeilles en gang i sesongen. Det anbefales å skifte tennplugg ved innledningen til hver klippesesong. Se etter i motorens bruksanvisning for spesifikasjoner om korrekt pluggtype og åpning.

Rengjør motoren regelmessig med en klut eller børste. Hold kjølesystemet (området rundt viftehuset) rent for å tillate skikkelig luftsirkulasjon, som er avgjørende for motorens ytelse og levetid. Påse at du fjerner alt gress, skitt og sotavleiringer fra lydtemperområdet.

## 12. OPPBEVARINGSINSTRUKSJONER (UTENOM SESONG)

Følgende tiltak bør iverksettes for å klargjøre gressklipperen for oppbevaring.

1. Tøm tanken etter sesongens siste gangs klipping.
  - a) Tøm bensintanken med en sugepumpe.



**FORSIKTIG:** Ikke tapp ut bensinen i lukket rom, i nærheten av åpen ild osv. Ikke røyk! Bensingasser kan forårsake eksplosjon eller brann.

- b) Start motoren, og la den kjøre til den har brukt opp all gjenværende bensin og stopper.
  - c) Ta ut tennpluggen. Bruk en oljekanne for å fylle ca. 20 ml olje i forbrenningskammeret. Aktiver starteren for å fordele oljen jevnt i forbrenningskammeret. Sett tennpluggen inn igjen.
2. Rengjør og smør gressklipperen grundig som beskrevet over under "SMØREINSTRUKSJONER".
  3. Smør skjæreverket lett for å unngå korrosjon.
  4. Oppbevar gressklipperen på et tørt, rent og frostbeskyttet sted, utenfor rekkevidde av ikke-autoriserte personer.



**FORSIKTIG:** Motoren må være fullstendig avkjølt før gressklipperen settes til oppbevaring.



**MERK:**

Ved oppbevaring av alle typer el-utstyr i uventilerte eller materielle lagringskur;

- Det må tas hensyn for å rustbeskytte utstyret. Påfør et tynt lag med silikon eller en lett olje på utstyret, særlig på kabler og alle bevegelige deler.
- Vær forsiktig så du ikke legger kablene i klem eller knekker dem.
- Hvis startsnoren koples fra snorføringen på håndtaket, må du kople fra og jorde tennpluggledningen, trykke ned bladkontrollhåndtaket og trekke startsnoren langsomt ut av motoren. Før startsnoren inn i snorføringsbolten på håndtaket.

### Transport

Slå av motoren og la maskinen avkjøles. Koble deretter fra tennpluggkabelen og tøm drivstofftanken, som beskrevet i anvisningene i motorhåndboken. Sørg for at du ikke bøyer eller ødelegger kutteren når du skyver gressklipperen over hindringer.

## 13. FEILSØKING

PROBLEM	MULIG ÅRSAK	AVHJELPENDE TILTAK
Motoren starter ikke.	Gasshåndtaket er ikke i korrekt posisjon for de rådende forholdene.	Flytt gasshåndtaket til korrekt posisjon.
	Drivstofftanken er tom.	Fyll tanken med drivstoff: se MOTORENS BRUKSANVISNING.
	Luffilterelementet er skittent.	Rengjør luffilterelementet: se MOTORENS BRUKSANVISNING.
	Tennplugg løs.	Stram tennpluggen til 25 - 30 Nm.
	Tennpluggledningen løs eller ikke koplet til pluggen.	Kople tennpluggledningen på tennpluggen.
	Tennpluggåpningen feil.	Still inn åpningen mellom elektrodene på mellom 0,7 og 0,8 mm.
	Tennpluggen er defekt.	Sett i en ny tennplugg med korrekt åpning: se MOTORENS BRUKSANVISNING.
	Forgasseren er overfylt av drivstoff.	Fjern luffilterelementet og trekk i startsnoren hele tiden til forgasseren tømmer seg, og monter luffilterelementet igjen.
	Feil i tenningsmodul.	Kontakt Makita-autorisert servicesenter.
Motoren vanskelig å starte eller taper kraft.	Skitt, vann eller gammelt drivstoff i tanken.	Tapp ut tanken og rengjør den. Fyll tanken med rent, nytt drivstoff.
	Ventilasjonskullet i drivstofftanken er tilstoppet.	Rengjør eller skift ut lokket på drivstofftanken.
	Luffilterelementet er skittent.	Rengjør luffilterelementet.
Motoren går uregelmessig.	Tennpluggen er defekt.	Sett i en ny tennplugg med korrekt åpning: se MOTORENS BRUKSANVISNING.
	Tennpluggåpningen feil.	Still inn åpningen mellom elektrodene på mellom 0,7 og 0,8 mm.
	Luffilterelementet er skittent.	Rengjør luffilterelementet: se MOTORENS BRUKSANVISNING.
Ujevn tomgang.	Luffilterelementet er skittent.	Rengjør luffilterelementet: se MOTORENS BRUKSANVISNING.
	Luftåpningene i motordekselet er blokkert.	Fjern rusk og rask fra åpningene.
	Kjølerribbene og luftinnløpet under motorens viftehus er blokkert.	Fjern skitt fra kjøleribbene og luftinnløpene.
Motoren hopper over takt ved høy hastighet.	Åpningen mellom elektrodene på tennpluggen er for stor.	Still inn åpningen mellom elektrodene på mellom 0,7 og 0,8 mm.
Motoren overophetes.	Kjøleluftstrømmen blokkert.	Fjern all skitt fra åpningene i deksel, viftehus, luftinnløp.
	Ikke korrekt tennplugg.	For PLM4120N, monter en tennplugg av typen RC12YC eller QC12YC, og kjøleribber på motoren. For PLM4620N, monter RJ19LMC-tennplugg og kjøleribber på motoren.
Gressklipperen vibrerer unormalt.	Skjæreverket er løst.	Stram bladet.
	Skjæreverket er ikke i balanse.	Balanser bladet.

## 14. MILJØET

Når maskinens levetid er over og den skal vrakes, skal den ikke kastes sammen med vanlig husholdningsavfall, men skal avfallsbehandles på en miljø sikker måte.

### Gjelder kun land i Europa

#### EF-samsvarserklæring

#### Makita erklærer at følgende maskin(er):

Maskinbetegnelse:

Bensindrevet gressklipper

Modellnr./type: PLM4120N, PLM4620N

Spesifikasjoner: Se "4. TEKNISKE DATA"

#### i samsvar med følgende EU-direktiver:

2004/108/EF, 2006/42/EF, 2000/14/EF og 2005/88/EF

De er produsert i henhold til følgende standard eller standardiserte dokumenter:

EN ISO5395-1, EN ISO5395-2, EN ISO 14982

Den tekniske mappen i samsvar med 2006/42/EF er tilgjengelig fra:

Makita, Jan-Baptist Vinkstraat 2, 3070, Belgia

Samsvarsvurderingen som er påkrevet i henhold til direktiv 2000/14/EF ble utført i samsvar med vedlegg VI.

Teknisk kontrollorgan:

TÜV SÜD Industrie Service GmbH

Westendstrasse 199, D-80686 München, Tyskland

Identifikasjonsnummer: 0036

PLM4120N

Målt lydeffektnivå: 93,4 dB

Garantert lydeffektnivå: 96 dB

PLM4620N

Målt lydeffektnivå: 93,6 dB

Garantert lydeffektnivå: 96 dB

22.8.2014



Yasushi Fukaya  
Direktør

Makita, Jan-Baptist Vinkstraat 2, 3070, Belgia

**Yleisnäkymän selitykset**

- |                       |                              |                        |
|-----------------------|------------------------------|------------------------|
| 1. Yläkahva           | 6. Ruohonkeräin              | 11. Öljysäiliön korkki |
| 2. Pysäytyskahva      | 7. Korkeudensääätökahva      | 12. Johdon pidin       |
| 3. Kaasu-kuristinvipu | 8. Kotelo                    | 13. Lukitusnuppi       |
| 4. Käynnistinkahva    | 9. Sytytystulppa             | 14. Suuri käyntinopeus |
| 5. Naruhajain         | 10. Polttoainesäiliön korkki | 15. Pieni käyntinopeus |



**VAROITUS**

Lue tämä opas oman turvallisuutesi vuoksi ennen uuden laitteen käyttämistä. Ohjeiden noudattamatta jättämisestä voi aiheutua vakava vamma. Kertaa ruohonleikkurin käyttö ennen jokaista käyttökertaa. Säilytä tämä käyttöopas turvallisessa paikassa, jotta tiedot ovat aina käytettävissä. Jos annat laitteen toiselle henkilölle, anna mukana nämä käyttöohjeet sekä myös turvallisuusohjeet.

**Määräysten mukainen käyttö**

Laitetta saa käyttää vain siihen, mihin se on suunniteltu. Kaikki muu käyttö katsotaan väärinkäytöksi. Kaikista vaurioista tai loukkaantumisista, jotka aiheutuvat väärinkäytöstä vastaa käyttäjä, ei valmistaja. Bensiinikäyttöinen ruohonleikkuri on tarkoitettu yksityiseen käyttöön, ts. käytettäväksi koti- ja puutarhaympäristöissä.

Ruohonleikkureiden yksityiskäytöksi katsotaan sellainen vuosittainen käyttöaika, joka ei yleensä ylitä 50 tuntia, ja jonka aikana laitetta käytetään lähinnä pienten nurmikkoalueiden ja koti-/harrastepuutarhojen hoitoon. Julkiset alueet, urheilukentät tai maa- ja metsätalous eivät kuulu yksityiskäyttöön.

Huomioi, että laitteemme ei ole tarkoitettu käytettäväksi kaupallisiin, ammattimaisiin tai teollisiin käyttötarkoituksiin. Takuumme ei ole voimassa, jos laitetta käytetään kaupallisiin, ammattimaisiin tai teollisiin tai vastaaviin käyttötarkoituksiin.

Valmistajan oheistamia käyttöohjeita täytyy noudattaa, jotta varmistetaan ruohonleikkurin oikea käyttö ja huolto. Käyttöohjeista löytyy myös tärkeät käyttö-, kunnossapito- ja huoltoehdot.

Tärkeää! Käyttäjään kohdistuvan loukkaantumisvaaran vuoksi ruohonleikkuria ei saa käyttää pensaiden, pensasaitojen tai koristepensaiden leikkaamiseen, kattoistutusten tai parvekekukkalatikoiden kasvien leikkaamiseen tai lian ja roskien puhdistamiseen (imemiseen) jalkakäytäviltä tai puiden tai pensasaitojen leikkausjätteiden silppuamiseen. Ruohonleikkuria ei saa myöskään käyttää moottorikultivaattorina maankohoumien tasoittamiseen, kuten esimerkiksi myyränkasojen levittämiseen.

Turvallisuussyistä ei ruohonleikkuria saa käyttää minkään muiden työkalujen tai työkalusarjojen voimanlähteenä.

**1. TUOTTEESEEN MERKITYT SYMBOLIT (takasuojukseen)**



Lue käyttöopas.



Pidä sivulliset loitolla.



Varo, ettei kätesi tai jalkasi joudu vaaraan.



Myrkyllisiä höyryjä. Älä käytä sisätiloissa.



Polttoaine on herkästi syttyvää. Pidä se poissa avotulen läheisyydestä. Älä lisää polttoainetta koneen käydessä.



Käytä ruohonleikkuriin aikana suojalaseja ja korvatulppia.



Irrota korjattaessa sytytystulppa ja toimi käyttöoppaan ohjeiden mukaisesti.



Varoitus: Moottori on kuuma.



Pysäytä moottori vapauttamalla kytkinkahva.

## 2. YLEISIÄ TURVAOHJEITA



**VAROITUS:** Bensiniäkäyttöisiä työkaluja käytettäessä on vakavan henkilövahingon ja laitteen vioittumisen välttämiseksi aina huolehdittava muun muassa seuraavista perusvaroitoimista. Lue nämä ohjeet kokonaisuudessaan, ennen kuin käytät tuotetta, ja säilytä ne tulevaa tarvetta varten.



**VAROITUS:** Tämä laite tuottaa toimiessaan sähkömagneettisen kentän. Joissakin tilanteissa tämä kenttä saattaa vaikuttaa aktiivisiin tai passiivisiin lääketieteellisiin implanteihin. Henkilöiden, joilla on lääketieteellisiä implantteja, tulee ennen laitteen käyttämistä varmistaa implantin soveltuvuus tällaiseen käyttöön lääkäriä tai implantin valmistajalta. Muuten seurauksena voi olla vakava vammautuminen tai jopa kuolema.

### Käyttöön perehtyminen

- Lue ohjeet huolellisesti. Perehdy laitteen säätimiin ja asianmukaiseen käyttöön. Opettele samuttamaan moottori nopeasti.
- Käytä ruohonleikkuria vain sen suunniteltuun käyttötarkoitukseen eli nurmikon leikkaamiseen ja leikatun ruohon keräämiseen. Muunlainen käyttö voi olla vaarallista ja vioittaa laitetta. Esimerkkejä vääränlaisesta käytöstä:
  - ihmisten tai eläinten kuljettaminen laitteella;
  - laitteen käyttäminen kulkuvälineenä;
  - kuormien vetäminen tai työntäminen laitteella;
  - laitteen käyttäminen lehtien tai roskien keräämiseen;
  - laitteen käyttäminen pensasaitojen tai muun kasvillisuuden kuin ruohon leikkaamiseen;
  - usean ihmisen toimiminen laitteen käyttäjänä samanaikaisesti;
  - terien käyttäminen muulla pinnalla kuin ruohikolla.
- Älä anna lasten tai näihin ohjeisiin perehtymättömien henkilöiden käyttää ruohonleikkuria. Paikallisissa määräyksissä saatetaan asettaa laitteen käytölle vähimmäisikärajaa.
- Älä koskaan käytä ruohonleikkuria seuraavissa tilanteissa:
  - Lähistöllä on muita henkilöitä (etenkin lapsia) ja lemmikkieläimiä;
  - Käyttäjän on on lääkityksen tai muiden reaktio- ja keskittymiskykyä heikentävien aineiden vaikutuksen alainen.
- Muista, että käyttäjä vastaa tapaturmista tai vahingoista, jotka hän aiheuttaa muille ihmisille tai heidän omaisuudelleen.
- Käyttäjien täytyy saada kunnollinen koulutus koneen käytöstä, säädöistä ja toiminnasta, mukaan lukien kielletyistä toiminnoista.

### Valmistelutoimet

- Käytä ruohoa leikatessasi aikana aina tukevia jalkineita ja pitkiä housuja. Älä käytä laitetta paljain jaloin tai avosandaalit jalassa.

- Tutki leikattava alue huolellisesti ja poista kaikki sellaiset esineet ja kappaleet, kuten kivet, lulut, kepit ja rautalangat, jotka voivat sinkoutua koneesta.
- VAROITUS** – Bensini on erittäin helposti syttyvää.
  - säilytä polttoaine tarkoitukseen suunnitelluissa astioissa;
  - tankkaa aina ulkoilmassa äläkä tupakoi tankkauksen aikana;
  - lisää polttoaine ennen moottorin käynnistämistä. Älä koskaan avaa polttoainesäiliön korkkia tai lisää polttoainetta, kun moottori käy tai on vielä kuuma;
  - jos bensiiniä läikkyy, älä yritä käynnistää moottoria vaan siirrä kone pois läikkymisalueelta ja vältä syyntulosten tuomista sen lähistölle, kunnes bensiinihöyryt ovat haihtuneet;
  - sulje polttoainesäiliöiden ja -astioiden korkit huolellisesti.
- Vaihda vioituneet äänenvaimentimet.
- Tarkista ennen käyttöä silmämääräisesti, että terät, terien pultit ja leikkuuyksikkö eivät ole kuluneet tai vaurioituneet. Vaihda kaikki vioituneet tai kuluneet terät ja ruuvit yhdellä kertaa.
- Tarkista säännöllisesti, että kaikki käynnistyksen estolukitukset ja käynnistyskahvat toimivat kunnolla.

### Käyttö

- Älä käytä moottoria suljetussa tilassa, johon voi kertyä vaarallisia hääkaasuja.
- Älä käytä konetta väsyneenä, sairaana tai alkoholin tai lääkkeiden vaikutuksen alaisena.
- Varoitus! Älä käytä ruohonleikkuria, jos ukonilma on tulossa.
- On suositeltavaa rajoittaa käyttöaikaa melun ja värinän aiheuttamien haittojen minimoimiseksi.
- Ole varovainen, jos käytät ruohonleikkuria rinteissä tai lähellä jyrkenteitä, ojia tai penkereitä.
- Leikkaa vain päivänvalossa tai kirkaassa keinovalossa.
- Vältä märän nurmikon leikkaamista mahdollisuuksien mukaan.
- Varmista aina tukeva jalansija, kun leikkaat nurmikkoa rinteessä.
- Kävele, älä juokse.
- Leikkaa nurmikko rinteessä aina poikittaissuuntaan, älä koskaan ylös ja alas.
- Ole erityisen varovainen vaihtaessasi suuntaa rinteissä.
- Älä leikkaa nurmikkoa liian jyrkissä rinteissä.
- Ole erityisen varovainen kääntäessäsi tai vetäessäsi ruohonleikkuria itseäsi kohti.
- Pysäytä terä(t), jos ruohonleikkuria on tarpeen kallistaa ruohottomia alueita ylittäessä, sekä silloin, kun siirrä sitä leikattavalle nurmialueelle ja takaisin.
- Älä koskaan käytä ruohonleikkuria, jos suojukset ovat vioituneet tai turvalaitteet, kuten kivisuojat ja/tai ruohonkeräimet, eivät ole paikallaan.
- Huomio: Ruohonleikkuria ei saa käyttää ilman joko ruohonkeräintä tai paikoillaan olevaa itsestään sulkeutuvaa poistoaukon suojusta.
- Älä muuta tai peukalo mitään sinetöityä säätöjä moottorin kierrosluvun ohjauksessa.
- Ruohonleikkurin turvajärjestelmiin tai turvatoimintoihin ei saa koskea, eikä niitä saa poistaa käytöstä.

- Älä muuta moottorin nopeudensäätimen asetuksia tai ylikuormita moottoria.
- Vapauta kaikki terän kytkimet ja käyttökytkimet ennen moottorin käynnistystä.
- Käynnistä moottori varovaisuutta noudattaen ja ohjeiden mukaisesti ja pidä jalkasi poissa terien ulottuvilta.
- Älä kallista ruohonleikkuria moottoria käynnistäessäsi.
- Älä käynnistä moottoria seisossasi poistokourun edessä.
- Älä pane käsiäsi tai jalkojasi pyörivien osien alle tai lähelle. Jätä poistoaukko aina esteettömäksi.
- Älä nosta tai kuljeta ruohonleikkuria moottorin käydessä.
- Pysäytä moottori ja irrota sytytystulpan johto, varmista, että kaikki liikkuvat osat ovat täysin pysähtyneet, ja irrota mahdollinen avain:
  - ennen tukkeumien selvittämistä tai kourun puhdistamista;
  - ennen ruohonleikkurin tarkastamista, puhdistamista tai kunnossapitoa;
  - koneen osuttua vierasesineeseen. Tarkasta ruohonleikkuri vaurioiden varalta ja korjaa mahdolliset viat, ennen kuin käynnistät sen uudelleen;
  - jos ruohonleikkuri alkaa täristä epänormaalisti (tutki heti tärinän syy).
- Pysäytä moottori ja irrota sytytystulpan johto, varmista, että kaikki liikkuvat osat ovat täysin pysähtyneet, ja irrota mahdollinen avain:
  - aina, kun poistut ruohonleikkurin luota;
  - ennen tankkausta.
- Pienennä kaasua moottoria sammuttaessasi. Jos moottorissa on sulkuventtiili, sulje polttoaineen syöttö, kun lopetat leikkaamisen.
- Käytä ruohonleikkuria ainoastaan sen suunniteltuun käyttötarkoituksen eli nurmikon leikkaamiseen ja leikatun ruohon keräämiseen. Muunlainen käyttö voi olla vaarallista ja vioittaa laitetta.
- Vähentääksesi tulipalon vaaraa pidä moottori, äänenvaimennin, akkutila ja polttoaineen säilytysalue puhtaana ruohosta, lehdistä ja ylimääräisestä ravasta.
- Tarkasta ruohonkeräin säännöllisesti kulumisen ja vaurioiden varalta.
- Vaihda kuluneet tai vioittuneet osat turvallisuusyryistä.
- Jos polttoainesäiliö on tarpeen tyhjentää, tee se ulkona.
- Epäasianmukainen huolto, vaatimusten vastaisten varaosien käyttäminen tai turvalaitteiden poistaminen tai muuntaminen voi vaurioittaa ruohonleikkuria ja aiheuttaa käyttäjälle vakavan vamman.
- Käytä vain valmistajan suosittelemia teriä ja varaosia. Muiden kuin alkuperäisten osien käyttäminen voi vaurioittaa konetta ja aiheuttaa käyttäjälle vamman. Pidä ruohonleikkuri hyvässä toimintakunnossa.
- Ota yhteys huoltooliikkeeseen, jos terän pysäytyslaite ei toimi.

### Kuljetus ja käsittely

- Muista seuraavat seikat aina, kun käsittelet, nostat, kuljetat tai kallistat laitetta:
  - Käytä tukevia työkäsiä;
  - Tartu laitteeseen kohdista, joista saa tukevan otteen, ja ota huomioon laitteen paino sekä painon jakautuminen;
  - Käytä apuna riittävän montaa henkilöä laitteen paino ja laitteen tai säilytyspaikan ominaisuudet huomioon ottaen.
- Kiinnitä laite kuljetuksen ajaksi tukevasti köysin tai ketjuin.



**VAROITUS:** Älä koske pyörivään terään.



**VAROITUS:** Tankkaa hyvin tuuletetussa tilassa moottorin ollessa sammutettuna.

## 3. OSIEN KUVAUS (kuvat 1 ja 2)

### Mukaan lukien

A: Sytytysluppa-avain

B: Silppuamiskila

### Kunnossapito ja säilytys

- Varmista leikkurin käyttöturvallinen kunto tarkistamalla, että kaikki mutterit, pultit ja ruuvit ovat tiukasti kiinni.
- Jos polttoainesäiliössä on polttoainetta, älä säilytä ruohonleikkuria tilassa, jossa höyryt voivat joutua kosketukseen avotulen tai kipinöiden kanssa.
- Anna moottorin jäähtyä, ennen kuin siirät laitteen suljettuun varastoon; Puhdista ja huolla ruohonleikkuri ennen säilytykseen laittoa.

## 4. TEKNISET TIEDOT

Malli	PLM4120N	PLM4620N
Moottorin tyyppi	B&S 500E -Sarja	B&S 625E -Sarja
Itsepyörivä	Ei	Ei
Moottorin tilavuus	140 cm <sup>3</sup>	190 cm <sup>3</sup>
Nimellisteho	1,9 kW	2,4 kW
Terän leveys	410 mm	460 mm
Joutokäyntinopeus	2 800/min	2 800/min
Polttoainesäiliön tilavuus	0,8 l	1,0 l
Öljysäiliön tilavuus	0,47 l	0,6 l



Malli	PLM4120N	PLM4620N
Ruohonkeruusäkin tilavuus	50 l	60 l
Nettopaino	26,0 kg	31,1 kg
Korkeuden säätö	25 – 70 mm, 5 säätöä	25 – 70 mm, 5 säätöä
Taattu äänenpainetaso käyttäjän sijainnissa (standardien EN ISO 5395-1 liite F, EN ISO 5935-2 ja EN ISO 4871 mukaan)	84,6dB(A) (K=3dB(A))	83,5dB(A) (K = 3dB(A))
Mitattu äänitehotaso	93,4dB(A) K=1,93dB(A)	93,6dB(A) K=2,47dB(A)
Taattu äänenpainetaso (direktiivin 2000/14/EY mukaan)	96dB(A)	96dB(A)
Tärinä (standardien EN ISO 5395-1 liite G ja EN ISO 5395-2 mukaan)	5,27 m/s <sup>2</sup> K=1,5m/s <sup>2</sup>	5,738 m/s <sup>2</sup> K=1,5m/s <sup>2</sup>

## 5. KOKOAMINEN

### 5-1 TAITTOKAHVAN KIINNITTÄMINEN

- A) Kiinnitä alemmat käsikahvat laitteen runkoon kahdella pulttisarjalla käyttäen aluslevyjä ja lukitusnuppia kuvan osoittamalla tavalla. **(kuva 3, kuva 4, kuva 5, kuva 6)**
- B) Vapauta taittavat yläkahvat. Liitä ylä- ja alakahvat toisiinsa kahdella pulttisarjalla käyttäen aluslevyjä ja lukitusnuppia kuvan osoittamalla tavalla. **(kuva 7, kuva 8, kuva 9)**
- C) Vedä kaikki johdot kahvojen akselien yläpuolelta. Kiinnitä ne alakahvojen keskikohdan ympärille siten, että johdot tulevat laitteen ulkopuolelle. Muussa tapauksessa johdot voivat joutua puristuksiin takakanta avattaessa/suljettaessa tai venyä yläkahvaa taitettaessa. **(kuva 10)**

### 5-2 RUOHONKERÄIMEN KIINNITTÄMINEN

- Kiinnitys: Nosta takakanta ja ripusta ruohonkeräin leikkurin takaosassa olevalle akselille. **(kuva 11, kuva 12)**
- Irrutus: Tartu takakanteen, nosta se ylös ja irrota ruohonkeräin.

### 5-3 KÄYNNISTINKAHVA

Siirrä käynnistinkahva moottorista naruohjaimen. **(kuva 13, kuva 14)**

### 5-4 LEIKKAUSKORKEUS

Paina vipu irti säätölovesta. Säädä korkeutta siirtämällä vipua eteen- tai taaksepäin. **(kuva 15, ks. myös kohta 8-8)**

## 6. SOPIVAAN KORKEUDEN SÄÄTÄMINEN

- Työnnä alakahvan lukitusnappi irti. **(kuva 16)**
- Siirrä alakahvaa pystysuunnassa, kunnes korkeus on sopiva. (ks. **kuva 17**)  
Tässä mallissa on valittavissa kolme säätökorkeutta. Alakahvan etäisyys maanpinnasta on suurin asennossa 1 ja pienin asennossa 3.
- Säädä korkeus sopivaksi ja kiinnitä sitten alakahva paikalleen lukitusnappien avulla.



**VAROITUS:** Alakahvan vasen ja oikea puoli on säädettävä samalle korkeudelle.

## 7. “2 IN 1”

Ruohonleikkureiden toimintatapa voidaan valita käyttötarkoituksen mukaan:

laitetta voidaan käyttää joko takaa purkavana ruohonleikkurina tai silppuavana leikkurina.

Mitä silppuaminen tarkoittaa?

Silppuaminen tai bioleikkaus tarkoittaa, että leikattu ruoho hienonnetaan silpuksi, joka palautetaan takaisin nurmikolle luonnonmukaiseksi ravinteeksi.

Vinkkejä silppuamiseen:

- Lyhennä nurmikkoa enintään 2 cm 6 cm:n korkuisesta 4 cm:n korkuiseksi.
- Käytä terävää leikkuuterää.
- Älä leikkaa märkää nurmikkoa.
- Käytä moottorin suurinta käyntinopeutta.
- Etene normaalilla työskentelynopeudella.
- Puhdista silppuamiskilla, kotelon sisäpuoli ja leikkuuterä säännöllisiin väliajoin.

### VAIHE 1: Leikkurin säätäminen silppuavaksi



**VAROITUS:** Moottorin pitää olla sammutettuna ja leikkuuterän pysähdyksissä.

- Nosta takakansi ja irrota ruohonkeräin.
- Työnnä silppuamiskilla koteloon. Lukitse silppuamiskilla painikkeella kotelossa olevaan aukkoon **(kuva 18, kuva 19)**.
- Laske takakansi uudelleen alas.

### VAIHE 2: Leikkaaminen ruohonkeräyssäiliötä käyttäen

- Kun haluat leikata nurmea ruohonkeräintä käyttäen, irrota silppuamiskilla ja kiinnitä ruohonkeräin paikoilleen.
- Silppuamiskiaan irrotus.
- Nosta takakansi ja irrota silppuamiskilla.



**VAROITUS:** Moottorin pitää olla sammutettuna ja leikkuuterän pysähdyksissä.

## 8. KÄYTTÖ

### 8-1 ENNEN KÄYNNISTYSTÄ

Lisää polttoainetta ja öljyä ruohonleikkurin mukana toimitettavan erillisen moottorioppaan ohjeiden mukaisesti. Lue ohjeet huolellisesti.



**VAROITUS:** Bensiini on erittäin helposti syttyvää. Säilytä polttoaine tarkoitukseen suunnitelluissa astioissa. Tankkaa aina ulkoilmassa ennen moottorin käynnistämistä äläkä tupakoi tankkauksen tai polttoaineen käsittelyn aikana. Älä koskaan avaa polttoainesäiliön korkkia tai lisää polttoainetta, kun moottori käy tai on vielä kuuma. Jos bensiiniä läikky, älä yritä käynnistää moottoria vaan siirrä kone pois läikkymisalueelta ja vältä syttymislähteiden tuomista sen lähistölle, kunnes bensiinihöyryt ovat haihtuneet. Sulje polttoainesäiliöiden ja -astioiden korkit huolellisesti. Tyhjennä polttoainesäiliö, ennen kuin kallistat ruohonleikkuria terän huoltoa tai öljynvaihtoa varten.



**VAROITUS:** Älä koskaan täytä polttoainesäiliötä sisätiloissa, jos moottori käy tai ei ole käytön jälkeen jäähtynyt ainakin 15 minuutin ajan.

### 8-2 MOOTTORIN KÄYNNISTÄMINEN JA TERÄN KYTKEMINEN TOIMINTAAN

1. Sytytystulpan päässä on kuminen hattu. Varmista, että sytytystulpan johdon päässä (kumihatun sisällä) oleva metallilenkki on tukevasti kiinni sytytystulpan metallikärjessä.
2. Paina syöttöpumppua 3-5 kertaa ennen moottorin käynnistystä. **(Kuva 20)**
3. Jos moottori on käynnistettäessä kylmä, käännä kaasu-kuristinvipu asentoon "☁". Jos moottori on käynnistettäessä lämmin, käännä kaasu-kuristinvipu asentoon "☁". **(kuva 21)**
4. Seiso ruohonleikkurin takana, tartu pysäytyskahvaan ja purista sitä yläkahvaa vasten **kuvassa 22** esitetyllä tavalla.
5. Tartu käynnistinkahvaan **kuvassa 22** esitetyllä tavalla ja vedä sitä voimakkaasti ylöspäin. Palauta se hitaasti naruohjaimen moottorin käynnistettyä. Vapauta pysäytyskahva, kun haluat pysäyttää moottorin ja terän.



Käynnistä moottori varovaisuutta noudattaen ja ohjeiden mukaisesti ja pidä jalkasi poissa terän ulottuvilta.



Älä kallista ruohonleikkuria moottoria käynnistäessäsi. Käynnistä ruohonleikkuri tasaisella alustalla, jossa ei ole korkeaa ruohoa tai muita esteitä.



Pidä kädet ja jalat loitolla pyörivistä osista. Älä käynnistä moottoria seisossasi poistokourun edessä.

### 8-3 KÄYTTÖ

Purista pysäytyskahvaa käytön aikana tiukasti molemmin käsin.



**Huomautus:** Kun pysäytyskahva vapautetaan käytön aikana, moottori pysähtyy, mikä keskeyttää ruohonleikkurin käytön.



**VAROITUS!** Ruohonleikkurin tahattomien käynnistymisten välttämiseksi se on varustettu moottorijarrulla, joka täytyy vetää taaksepäin ennen moottorin käynnistämistä. Kun moottorin käyttövipu vapautetaan, sen tulee palautua alkuasentoonsa, jolloin moottori automaattisesti sammuu.



**Huomautus:** Moottorijarru (jarrukahva): Käytä vipua moottorin pysäyttämiseen. Kun vapautat vivun, moottori ja terä pysähtyvät automaattisesti. Kun leikkaat ruohoa, pidä vipua työskentelyasennossa. Ennen kuin aloitat ruohonleikkaamisen, tarkista useita kertoja, että käynnistys-/pysäytysvipu toimii kunnolla. Varmista, että käynnistysvaijeri toimii kunnolla (ts. ei jää kiinni tai taitu millään tavalla).

### 8-4 MOOTTORIN PYSÄYTTÄMINEN



**HUOMIO:** Terä jatkaa pyörimistä muutaman sekunnin ajan moottorin pysäyttämisen jälkeen.

1. Vapauta pysäytyskahva, kun haluat pysäyttää moottorin ja terän.
2. Irrota ja maadoita sytytystulpan johto erillisessä moottorioppaassa annettujen ohjeiden mukaisesti, jotta ruohonleikkuri ei pääse käynnistymään vahingossa, kun se jätetään ilman valvontaa.

### 8-5 OHJEITA RUOHON LEIKKAAMISEEN

Poista irtoroskat nurmikolta. Varmista, että nurmikolla ei ole kiviä, oksia, johtoja ja muita vierasesineitä, jotka voivat vahingossa sinkoutua ruohonleikkurista mihin tahansa suuntaan ja aiheuttaa vakavan henkilö- tai omaisuusvahingon. Älä leikkaa märkää nurmikkoa. Jos ruoho on märkää, se tarttuu helposti kotolon alle ja estää ruohon tehokkaan leikkaamisen. Leikkaa enintään kolmasosa nurmikon pituudesta. Suositeltu leikkauskorkeus on enintään kolmasosa nurmikon pituudesta. Nopeutta on tarpeen säätää siten, että silputtu ruoho leviää tasaisesti nurmikolle. Jos ruoho on hyvin paksua, voi olla tarpeen käyttää alhaista nopeutta, jotta leikkausjälki on siisti. Pitkää nurmikkoa leikattaessa voi olla tarpeen tehdä kaksi leikkauskierrosta siten, että jälkimmäisellä kierroksella lasketaan terää edelleen 1/3 alemmas ja mahdollisesti käytetään toisenlaista leikkauskuviota. Kun kukin kierroksista menee hieman päällekkäin edellisen kanssa, nurmikolle mahdollisesti jäänyt leikattu

ruoho silppuuntuu siististi pois. Ruohonleikkuria on aina syytä käyttää täydellä kaasulla. Tällä varmistetaan hyvä leikkausjälki ja tehokas leikkaaminen. Puhdista kotelon alapuoli.

Muista puhdistaa leikkuukotelon alapuoli jokaisen käyttökerran jälkeen, jotta sinne ei kerry ruohoa. Kertynyt ruoho estää tehokkaan silppuamisen.

Lehtien silppuaminen: Lehtien silppuaminen voi myös olla hyväksi nurmikolle. Varmista silputessa, että lehdet ovat kuivia ja että niitä ei ole nurmikolla liian paksuna kerroksena. Älä odota kaikkien lehtien putoamista maahan, ennen kuin aloitat silppuamisen.



**VAROITUS:** Pysäytä moottori, jos leikkuri osuu vierasesineeseen. Irrota sytytystulpan johto, tarkasta ruohonleikkuri huolellisesti vaurioiden varalta ja korjaa mahdolliset vauriot, ennen kuin käynnistät ruohonleikkurin uudelleen. Huomattava käytönaikainen tärinä on merkki vauriosta. Ruohonleikkuri on tällöin tarkastettava ja korjattava viipymättä.

## 8-6 RUOHONKERÄIN

Tyhjennä ja puhdista säkki, varmista säkin puhtaus ja tarkista, että ilma kulkee verkon läpi. **(Kuva 23)**

## 8-7 KOTELO

Ruohonleikkurin kotelon alapuoli on syytä puhdistaa jokaisen käyttökerran jälkeen, jotta sinne ei pääse kertymään paakkuuntunutta ruohoa, lehtiä, liikaa tai muuta leikkuujätettä. Kertynyt leikkuujäte voi altistaa ruohonleikkurin ruosteelle ja korroosiolle sekä estää tehokkaan silppuamisen. Kotelo puhdistetaan kallistamalla ruohonleikkuria ja kaapimalla se sitten puhtaaksi sopivalla välineellä (varmista, että sytytystulpan johto on irrotettu).

## 8-8 LEIKKAUSKORKEUDEN SÄÄTÖ



**HUOMIO:** Älä koskaan tee ruohonleikkuriin minkäänlaisia säätöjä, ennen kuin moottori on pysäytetty ja sytytystulpan johto irrotettu.



**HUOMIO:** Pysäytä moottori ja irrota sytytystulpan johto, ennen kuin muutat leikkauskorkeutta. Ruohonleikkurissa on leikkauskorkeuden säätövipu, jolla voit valita 5 eri leikkauskorkeutta.

1. Pysäytä moottori ja irrota sytytystulpan johto ennen leikkauskorkeuden muuttamista.
2. Leikkauskorkeuden säätövipulla voit valita 5 eri leikkauskorkeutta.
3. Muuta leikkauskorkeutta puristamalla säätövipua pyörää kohti ja siirtämällä vipua sitten ylös tai alas haluamaasi leikkauskorkeuteen. **(Kuva 24)** Kaikki pyörät säätävät samaan leikkauskorkeuteen.

## 9. KUNNOSSAPITO

### SYTYTYSTULPPA

Käytä vain alkuperäisiä vaihtosytytystulppia. Sytytystulppa on syytä vaihtaa 100 käyttötunnin välein. (katso lisätietoja moottorin käyttöoppaasta)

## JARRUPALAT

Anna huoltoliikkeen tarkistaa ja/tai vaihtaa moottorin jarrupalat säännöllisin väliajoin. Vaihdoissa tulee käyttää vain alkuperäisiä osia.

## 10. VOITELU



**HUOMIO:** IRROTA SYTYTYSTULPAN JOHTO ENNEN HUOLTOA.

1. PYÖRÄT – Voitele jokaisen pyörän kuulalaakerit ohuella öljyllä vähintään kerran kesässä.
2. MOOTTORI – Noudata moottorin ohjekirjassa annettuja voiteluohjeita.
3. PYSÄYTYSKAHVA – Voitele pysäytyskahvan nivelkohdat sekä jarruvaijeri ohuella öljyllä vähintään kerran kesässä. Pysäytyskahvan tulee liikkua esteettä molempiin suuntiin.

## 11. PUHDISTUS



**HUOMIO:** Älä suihkuta moottoriin vettä letkulla. Vesi voi vioittaa moottoria ja polttoainejärjestelmää.

1. Pyyhi kotelo kuivalla kankaalla.
2. Puhdista kotelon alapuoli vesisuihkulla kallistamalla ruohonleikkuria siten, että sytytystulppa osoittaa ylöspäin.

### 11-1 MOOTTORIN ILMANPUHDISTIN



**HUOMIO:** Varmista, ettei lika tai pöly pääse tukkimaan ilmansuodattimen vaahtoelementtiä.

Moottorin ilmanpuhdistinelementti pitää huoltaa (puhdistaa) 25 normaalin käyttötunnin jälkeen. Vaahtoelementti pitää puhdistaa säännöllisin väliajoin, jos ruohonleikkuria käytetään kuivassa ja pölyisessä ympäristössä (katso lisätietoja moottorin käyttöoppaasta).

### ILMANSUODATTIMEN PUHDISTUS

1. PLM4120N: Nosta suodatinkuvun korvakkeet ylös. PLM4620N: Irrota ruuvi.
2. Irrota kansi.
3. Pese suodatinelementti saippuavedellä. **ÄLÄ KÄYTÄ BENSIINIÄ!**
4. Kuivaa suodatinelementti ilmassa.
5. Tiputa vaahtosuodattimeen muutama pisara SAE30-öljyä ja purista tiukasti niin, että ylimääräinen öljy puristuu pois.
6. Asenna suodatin takaisin paikoilleen.
7. Sulje suodattimen kansi.



**HUOMAUTUS:** Vaihda suodatin, jos se on hankautunut, repeytynyt tai vioittunut tai jos sitä ei voi puhdistaa **(kuva 25, malli PLM4120N)**.

## 11-2 LEIKKUUTERÄ



**HUOMIO:** Irrota ja maadoita sytytystulpan johto ennen leikkuuterän huoltamista, jotta moottori ei pääse käynnistymään vahingossa. Suojaa kädet tarttumalla leikkuuteriin paksuin suojakäsinein tai rievulla.

Kallista leikkuria erillisessä moottorin käyttöohjeessa annettujen ohjeiden mukaisesti. Irrota kuusiopultti ja aluslevy, jotka painavat terää ja terän sovitinta moottorin kampiakselia vasten. Irrota terä ja sovitin kampiakselista.



**VAROITUS:** Tarkasta terän sovitin säännöllisin väliajoin ja varsinkin silloin, kun ruohonleikkuri osuu johdonkin esteeseen. Vaihda tarvittaessa. Terän pitää olla terävä, jotta leikkuu jälki olisi paras mahdollinen. Terän voi teroittaa irrottamalla sen ja hiomalla tai viilaamalla leikkusuärmää mahdollisimman tarkoin alkuperäistä viistettä seuraten. Leikkusuärmät on tärkeää hioa tasaisesti, jotta terä pysyy tasapainossa. Jos terä jää epätasapainoiseksi, siitä aiheutuva tärinä vahingoittaa lopulta moottoria ja ruohonleikkuria. Varmista terän tasapaino huolellisesti teroittamisen jälkeen. Tasapainon voi tarkistaa asettamalla terän pyöreävaraisen ruuvitalan päälle. Hio metallia pois painavasta päästä, kunnes terä on tasapainossa. **(kuva 26)** Voitele moottorin kampiakseli ja terän sovitimen sisäpinta ohuella öljyllä, ennen kuin kiinnität terän ja terän sovitimen takaisin paikalleen. Asenna terän sovitin kampiakseliin. Ks. **kuva 26**. Käännä terä asentoon, jossa osanumero on pois päin sovitimesta. Sovita aluslevy terän päälle ja pane kuusiopultti paikalleen. Kiristä kuusiopultti alla mainittuun tiukkuuteen.

## 11-3 TERÄN KIRISTYSMOMENTTI

Keskipultti pitää kiristää 35–45 Nm:n tiukkuuteen ruohonleikkurin turvallisen toiminnan varmistamiseksi. KAIKKIEN pulttien ja mutterien kiristys pitää tarkistaa säännöllisin väliajoin. Terä kuuluu alkuperäisestä muodostaan, kun ruohonleikkuria käytetään pitkään varsinkin hiekkaisessa ympäristössä. Tällöin leikkuuteho huononee ja terä on syytä vaihtaa. Käytä vain hyväksytyt valmistajan varaosaterää. Valmistaja ei vastaa väärin tasapainotetun terän aiheuttamasta vahingosta. Tarkista terää vaihtaessasi terän alkuperäinen tyyppi, joka on merkitty terään (MAKITA 263001433 mallissa PLM4120N ja MAKITA 263001451 mallissa PLM4620N). (Ota terää tilatessasi yhteyttä paikalliseen jälleenmyyjään tai meihin.)



**VAROITUS:** Älä koske pyörivään terään.

## 11-4 MOOTTORI

Katso moottorin huolto-ohjeet erillisestä moottorioppaasta.

Lisää moottoriöljyä ruohonleikkurin mukana toimitettavan erillisen moottorioppaan mukaisesti.

Lue ohjeet huolellisesti ja toimi niiden mukaisesti. Huolla ilmanpuhdistin normaalioloissa erillisen moottorioppaan ohjeiden mukaisesti. Puhdista se

muutaman tunnin välein, jos ympäristössä on runsaasti pölyä. Moottorin alentunut teho ja vuotaminen on yleensä merkki siitä, että ilmansuodatin on tarpeen puhdistaa. Huolla ilmanpuhdistin ruohonleikkurin mukana toimitettavan erillisen moottorioppaan mukaisesti. Sytytystulppa on syytä puhdistaa ja kärkiväli säätää kerran kesässä. Sytytystulpan vaihtaminen on suositeltavaa kesän alussa. Katso sytytystulpan oikea tyyppi ja kärkiväli moottorioppaasta. Puhdista moottori säännöllisesti kankaalla tai harjalla. Pidä jäähdytysjärjestelmä (tuuletettimen runko) puhtaana, jotta ilma pääsee kiertämään vapaasti. Tämä on tärkeää moottorin tehon ja käyttöiän kannalta. Poista ruoho, lika ja palavat roskat äänenvaimentimen läheisyydestä.

## 12. SÄILYTYS (TALVIAIKANA)

Toimi seuraavasti, kun viet ruohonleikkurin talvivarastoon.

1. Tyhjennä polttoainesäiliö kauden viimeisen leikkukerran jälkeen.
- a) Tyhjennä polttoainesäiliö imupumpulla.



**HUOMIO:** Älä tyhjennä polttoainesäiliötä suljetussa tilassa, avotulen lähellä jne. Älä tupakoi tyhjennyksen aikana! Bensiinihöyryt voivat aiheuttaa räjähdyksen tai tulipalon.

- b) Käynnistä moottori ja anna sen käydä, kunnes jäljellä oleva polttoaine on kulunut loppuun ja moottori sammuu.
  - c) Irrota sytytystulppa. Kaada öljykannulla palotilaan noin 20 ml öljyä. Pyöritä moottoria käynnistysmoottorilla, jotta öljy leviää tasaisesti palotilaan. Asenna sytytystulppa takaisin paikalleen.
2. Puhdista ja voitele ruohonleikkuria huolellisesti VOITELU-luvussa kerrotulla tavalla.
  3. Voitele leikkuuterä kevyesti ruostumisen estämiseksi.
  4. Säilytä ruohonleikkuria kuivassa, puhtaassa ja pakkaselta suojatussa paikassa asiattomien henkilöiden ulottumattomissa.



**HUOMIO:** Anna moottorin jäähtyä täysin ennen ruohonleikkurin varastoimista.



**HUOMAUTUS:**

Kun moottorilla varustettuja laitteita säilytetään ilmastoitamattomassa varastossa tai vastaavassa;

- On huolehdittava asianmukaisesta ruostesuojauksesta. Voitele laite ja erityisesti sen vaijerit ja liikkuvat osat kevytöljyllä tai silikonilla.
- Varo, että vaijerit eivät taivu tai taitu.
- Jos käynnistinnaru irtoaa kahvan naruohjaimesta, irrota ja maadoita sytytystulpan johto, paina teränsäätökahvasta ja vedä käynnistinnaru hitaasti ulos moottorista. Sovita käynnistinnaru sitten takaisin kahvan naruohjaimeen.

## Kuljetus

Sammuta moottori ja anna moottorin jäähtyä. Irrota sitten sytytystulpan johto ja tyhjennä polttoainesäiliö moottorioppaasta annettujen ohjeiden mukaisesti. Varo taivuttamasta tai vahingoittamasta leikkuuterää, kun työnnät ruohonleikkuria esteiden yli.

### 13. VIANMÄÄRITYS

ONGELMA	TODENNÄKÖINEN SYY	KORJAUSTOIMI
Moottori ei käynnisty.	Kaasu-kuristinvipu ei ole oikeassa asennossa.	Siirrä kaasu-kuristinvipu oikeaan asentoon.
	Polttoainesäiliö on tyhjä.	Täytä polttoainesäiliö. Katso lisätietoja moottorin käyttöoppaasta.
	Ilmanpuhdistinelementti on likainen.	Puhdista ilmanpuhdistinelementti. Katso lisätietoja moottorin käyttöoppaasta.
	Sytytystulppa on löysällä.	Kiristä sytytystulppa 25–30 Nm:n tiukkuuteen.
	Sytytystulpan johto on löysällä tai irti tulpasta.	Kiinnitä sytytystulpan johto sytytystulppaan.
	Sytytystulpan kärkiväli on väärä.	Säädä elektrodien kärkiväliksi 0,7–0,8 mm.
	Sytytystulppa on viallinen.	Vaihda tilalle uusi sytytystulppa, jonka kärkiväli on säädetty oikein. Katso lisätietoja moottorin käyttöoppaasta.
	Kaasuttimeen tulee liikaa polttoainetta.	Irrota ilmanpuhdistinelementti ja vedä käynnistinnarusta yhtäjaksoisesti, kunnes kaasutin puhdistuu, ja pane ilmanpuhdistinelementti sitten takaisin paikalleen.
Moottorin käynnistäminen on hankalaa, tai sen teho laskee.	Viallinen käynnistyslaite.	Ota yhteyttä Makitan valtuutettuun huoltoliikkeeseen.
	Likaa, vettä tai vanhaa polttoainetta polttoainesäiliössä.	Tyhjennä polttoaineesta ja puhdista. Täytä polttoainesäiliö puhtaalla ja tuoreella polttoaineella.
	Polttoainesäiliön korkin ilma-aukko tukossa.	Puhdista tai vaihda polttoainesäiliön korkki.
Moottorin toiminnassa on häiriöitä.	Ilmanpuhdistinelementti on likainen.	Puhdista ilmanpuhdistinelementti.
	Sytytystulppa on viallinen.	Vaihda tilalle uusi sytytystulppa, jonka kärkiväli on säädetty oikein. Katso lisätietoja moottorin käyttöoppaasta.
	Sytytystulpan kärkiväli on väärä.	Säädä elektrodien kärkiväliksi 0,7–0,8 mm.
Moottorin tyhjäkäynti on heikkoa.	Ilmanpuhdistinelementti on likainen.	Puhdista ilmanpuhdistinelementti. Katso lisätietoja moottorin käyttöoppaasta.
	Moottorikotelon ilma-aukot ovat tukkeutuneet.	Poista lika aukoista.
	Moottorin tuulettimen rungon jäähdytysrivat ja ilmakanavat ovat tukkeutuneet.	Poista lika jäähdytysriivoista ja ilmakanavista.
Moottori alkaa käydä suurella kierrosluvulla.	Sytytystulpan elektrodien kärkiväli on liian pieni.	Säädä elektrodien kärkiväliksi 0,7–0,8 mm.
Moottori ylikuumenee.	Jäähdytysilman virtaus on estynyt.	Poista mahdollinen lika moottorikotelon aukoista, puhaltimen rungosta ja ilmakanavista.
	Vääränlainen sytytystulppa.	Asenna PLM4120N-mallin moottoriin RC12YC- tai QC12YC-sytytystulppa ja jäähdytysrivat. Jos kyseessä on malli PLM4620N, vaihda moottoriin RJ19LMC-sytytystulppa ja -jäähdytysrivat.
Ruohonleikkuri tarvitsee epänormaalisti.	Leikkaava osa on löysällä.	Kiristä terä.
	Leikkaava osa on epätasapainossa.	Tasapainota terä.

## 14. YMPÄRISTÖNÄKÖKOHDAT

Jos kone on tarpeen hävittää pitkän käyttöajan jälkeen, älä pane sitä talousjätteeseen vaan hävitä se ympäristön kannalta turvallisella tavalla.

### **Koskee vain Euroopan maita**

### **EY-vaatimustenmukaisuusvakuutus**

### **Makita ilmoittaa, että seuraava(t) kone(et):**

Koneen tunnistetiedot:

Bensiinikäyttöinen ruohonleikkuri

Mallinro/tyyppi: PLM4120N, PLM4620N

Tekniset tiedot: Katso kohta "4. TEKNISET TIEDOT"

### **täyttävät seuraavien eurooppalaisten direktiivien vaatimukset:**

2004/108/EY, 2006/42/EY, 2000/14/EY ja 2005/88/EY

ja se on valmistettu seuraavien standardien tai standardoitujen asiakirjojen mukaisesti:

EN ISO 5395-1, EN ISO5395-2, EN ISO 14982

Direktiivin 2006/42/EY mukainen tekninen tiedosto on saatavilla osoitteesta:

Makita, Jan-Baptist Vinkstraat 2, 3070, Belgia

Direktiivissä 2000/14/EY edellytetty

vaatimustenmukaisuusarviointi tehtiin liitteen VI

mukaisesti.

Ilmoitettu laitos:

TÜV SÜD Industrie Service GmbH

Westendstrasse 199, D-80686 München, Saksa

Tunnistenumero: 0036

PLM4120N

Mitattu äänitehotaso: 93,4 dB

Taattu äänitehotaso: 96 dB

PLM4620N

Mitattu äänitehotaso: 93,6 dB

Taattu äänitehotaso: 96 dB

22.8.2014



Yasushi Fukaya

Johtaja

Makita, Jan-Baptist Vinkstraat 2, 3070, Belgia

- |                               |                               |                         |
|-------------------------------|-------------------------------|-------------------------|
| 1. Augšējais rokturis         | 6. Zāles uztvērējs            | 11. Eļļas vāciņš        |
| 2. Bremzes kontroles rokturis | 7. Augstuma regulēšanas svira | 12. Kabeļa skava        |
| 3. Drosejaizbīdņa svira       | 8. Pamatne                    | 13. Bloķēšanas rokturis |
| 4. Iedarbināšanas rokturis    | 9. Aizdedzes svece            | 14. Liels ātrums        |
| 5. Troses virzītājs           | 10. Degvielas vāciņš          | 15. Mazs ātrums         |

**BRĪDINĀJUMS**

Pirms sākat strādāt ar jauno ierīci savas drošības nolūkos, lūdzu, izlasiet šo rokasgrāmatu. Ja netiek ievēroti norādījumi, var gūt smagus ievainojumus. Pirms katras lietošanas reizes veltiet brīdi, lai atsvaidzinātu zināšanas par plaujmašīnu. Glabājiet šo rokasgrāmatu drošā vietā, lai tās informācija vienmēr būtu pieejama. Ja nododat šo ierīci citas personas rīcībā, pievienojiet tai arī šos ekspluatācijas norādījumus un drošības noteikumus.

**Paredzētā lietošana**

Šo ierīci drīkst lietot tikai tiem darba veidiem, kam tā paredzēta. Lietošana jebkādā citā veidā tiek uzskatīta par nepareizu lietošanu. Šajā gadījumā lietotājs/operatora personīgi atbild par bojājumiem vai ievainojumiem, nevis ražotājs.

Benzīna zāles plaujmašīna ir paredzēta individuālai lietošanai, proti, mājās un dārzā.

Individuāli lietojot zāles plaujmašīnu, tās darbības laiks gadā nepārsniedz 50 stundas, un ierīce tiek galvenokārt lietota nelielu piemājas mauriņu un mājas/dekoratīvu dārzu uzturēšanai. Ierīce nav paredzēta sabiedrisku zālāju un sporta laukumu uzturēšanai un lauksaimniecības/mežsaimniecības darbiem.

Šī ierīce nav paredzēta lietošanai komerciālām, tirdzniecības vai rūpnieciskām vajadzībām. Mūsu garantija nav spēkā, ja ierīci lieto komerciālām, tirdzniecības vai rūpnieciskām vajadzībām, kā arī tamlīdzīgiem nolūkiem.

Ražotāja ekspluatācijas norādījumi ir jāsaglabā un jāievēro, lai nodrošinātu pareizu zāles plaujmašīnas lietošanu un apkopi. Norādījumos ir vērtīga informācija par ekspluatācijas, apkopes un apkalpošanas nosacījumiem.

Svarīgi! Tā kā lietotājam ir augsts risks gūt ievainojumus, zāles plaujmašīnu nedrīkst lietot krūmu, krūmāju vai dzīvzogu apgriešanai, klinšainu virsmu, jumta apstādījumu vai balkona mauriņa plaušanai, neīrīrumu un sanešu tīrīšanai (vai savākšanai) no gājēju celiņiem, koku un dzīvzogu atgriezumam sasmalcināšanai. Turklāt zāles plaujmašīnu nedrīkst lietot kā elektrisko kultivatoru, lai izlīdzinātu izciļņus, piemēram, kurmju rakumus.

Drošības nolūkos zāles plaujmašīnu nedrīkst lietot kā piedziņas ierīci citiem darba instrumentiem vai instrumentu komplektiem.

**1. APZĪMĒJUMI UZ IZSTRĀDĀJUMA (uz aizmugurējā pārsega)**

Izlasiet lietošanas rokasgrāmatu.



Neļaujiet tuvumā atrasties nepiederošām personām.



Lai nepieļautu ievainojumus, lietotājam jāpievērš uzmanība kāju un roku aizsardzībai.



Toksiski izgarojumi — nestrādājiet iekšelpās.



Degviela ir viegli uzliesmojoša; neuzturieties atklātas liesmas tuvumā. Nepildiet degvielu, kamēr ierīce darbojas.



Operatoram savai aizsardzībai darba laikā jālieto aizsargbrilles un ausu aizbāžņi.



Veicot remontu, izņemiet aizdedzes sveci un veiciet remontu saskaņā ar lietošanas rokasgrāmatu.



Uzmanību — karsts dzinējs.



Lai apturētu motoru, atlaidiet slēdža rokturi.

## 2. VISPĀRĒJIE DROŠĪBAS NOTEIKUMI



**BRĪDINĀJUMS:** Lietojot ar benzīnu darbināmas ierīces, vienmēr jāievēro drošības norādījumi, tostarp turpmāk minētie, lai mazinātu nopietnu ievainojumu, un/ vai iekārtas bojājumu risku. Pirms ierīces lietošanas izlasiet šos norādījumus un saglabājiet tos arī turpmākām uzziņām.



**BRĪDINĀJUMS:** Šī ierīce ekspluatācijas laikā rada elektromagnētisko lauku. Atsevišķos gadījumos šis lauks var ietekmēt aktīvos vai pasīvos medicīniskos implantātus. Lai samazinātu nopietnu vai nāvīgu ievainojumu risku, personām ar medicīniskiem implantātiem pirms ierīces lietošanas mēs iesakām konsultēties ar savu ārstu un medicīnisko implantātu ražotāju.

### Apmācība

- Uzmanīgi izlasiet norādījumus. Iepazīstieties ar ierīces vadības iekārtām un pareizu izmantošanu. Uzziniet, kā ātri apturēt dzinēju.
- Zāles plaujmašīnu izmantojiet tikai paredzētajam mērķim, t. i., zāles plaušanai un savākšanai. Izmantošana citiem mērķiem var būt bīstama un izraisīt mašīnas bojājumus. Nepareizas lietošanas piemēri ir šādi:
  - cilvēku, bērnu vai dzīvnieku transportēšana mašīnā;
  - mašīnas izmantošana transportēšanai;
  - mašīnas izmantošana kravas vilkšanai vai stumšanai;
  - mašīnas izmantošana lapu vai netīrumu savākšanai;
  - mašīnas izmantošana dzīvzoģu griešanai vai tādās veģetācijas griešanai, kas nav zāle;
  - mašīnas izmantošana, ja to dara vairākas personas;
  - asmens izmantošanai materiāliem, kas nav zāle.
- Nepieļaujiet, ka zāles plaujmašīnu izmanto bērni vai cilvēki, kas nepārzina zāles plaujmašīnas izmantošanas norādījumus. Vietējie noteikumi var ierobežot lietotāja vecumu.
- Nekad neizmantojiet zāles plaujmašīnu:
  - ja tuvumā ir cilvēki, jo īpaši bērni, vai dzīvnieki;
  - ja operators ir lietojis zāles vai vielas, kas ietekmē reakcijas un koncentrēšanās spējas;
- Ņemiet vērā, ka operators vai lietotājs ir atbildīgs par negadījumiem vai apdraudējumu, kas radīts citiem cilvēkiem vai to īpašumam.
- Operatoram jābūt pienācīgi apmācītam ierīces lietošanā, regulēšanā un ekspluatācijā, tostarp jāpārzina aizliegtie darba veidi.

### Sagatavošana

- Veicot zāles plaušanu, vienmēr valkājiet izturīgus apavus un garās bikses. Nelietojiet ierīci, ja kājās nav apavi vai valkājat atvērtas sandales.
- Rūpīgi pārbaudiet vietu, kurā izmantosiet ierīci, un aizvāciet visus priekšmetus, piemēram, akmeņus, rotaļlietas, žaģarus un metāla stieples, ko ierīce varētu izmest gaisā.

- BRĪDINĀJUMS — benzīns ir ļoti viegli uzliesmojošs.
  - glabājiet degvielu tai īpaši paredzētās tvertnēs;
  - uzpildiet degvielu tikai ārpus telpām un pildīšanas laikā nesmēķējiet;
  - degvielu uzpildiet pirms dzinēja iedarbināšanas. Nekad gadījumā neonoņemiet degvielas tvertnes vāciņu vai neuzpildiet degvielu, kad dzinējs darbojas vai kad tas ir karsts;
  - ja degviela ir izšķīstījusies, neiedarbiniet dzinēju, bet gan pārvietojiet ierīci prom no vietas, kur degviela ir izšķīstījusies, un neveidojiet uzliesmojošus avotus, kamēr benzīna izgarojumi nav izsūduši;
  - cieši novietojiet atpakaļ degvielas vāciņu un tvertņu vāciņus.
- Nomainiet bojātus klusinātājus.
- Pirms izmantošanas vienmēr vizuāli pārbaudiet, vai asmeņi, asmeņu bultskrūves un griešanas ierīce nav nodilusi vai bojāta. Lai saglabātu līdzsvaru, nomainiet visu bojātu asmeņu un bultskrūvju komplektu.
- Regulāri pārbaudiet, vai visas iedarbināšanas sakabes un operatora kontrolierīces pareizi darbojas.

### Ekspluatācija

- Nedarbiniet dzinēju norobežotā vietā, kur var uzkrāties bīstami oglekļa monoksīda izgarojumi.
- Nelietojiet ierīci, ja esat noguris, saslimis vai atrodaties alkohola vai medikamentu ietekmē.
- Brīdinājums! Nestrādājiet ar zāles plaujmašīnu, ja ir iespējams zibens.
- Ieteicams strādāt ar ierīci ierobežotu laika posmu, lai mazinātu trokšņa un vibrācijas radīto risku.
- Ievērojiet piesardzību, strādājot ar zāles plaujmašīnu nogāzē un kraujas, bedres vai ūdenstilpnes krasta malā.
- Pļaujiet tikai dienas gaismā vai labā mākslīgā apgaismojumā.
- Kur iespējams, nelietojiet aprīkojumu mitrā zālē.
- Strādājot nogāzē, nodrošiniet stabilu kāju atbalstu.
- Pārvietojieties staigājot, nevis skrienot.
- Izmantojot grozāmu ierīci ar riteņiem, pļaujiet slīpi pāri nogāzei — nekad nepļaujiet uz augšu vai uz leju.
- Mainot virzienu nogāzēs, esiet īpaši uzmanīgi.
- Nepļaujiet pārāk stāvas nogāzes.
- Esiet īpaši uzmanīgi, apgriežot zāles plaujmašīnu vai velkot to pret sevi.
- Apturiet asmeni/-ņus, ja zāles plaujmašīna ir jāsagāž, pārvietojot vai šķērsojot segumu, kas nav zāle, kā arī pārvietojot zāles plaujmašīnu uz plaušanas vietu un no tās.
- Nekad nelietojiet zāles plaujmašīnu ar bojātiem aizsargiem, vai ja nav uzstādītas drošības ierīces, piemēram, deflektors un/vai zāles uztvērējs.
- Uzmanību! Zāles plaujmašīnu nedrīkst ekspluatēt, ja tai nav uzstādīts zāles uztvērējs vai automātiski aizverams izvades atveres aizsargs.
- Nomainiet dzinēja uzstādījumus vai nedarbiniet to ar pārlieku lieliem apgriezieniem.
- Neizmainiet vai nepārveidojiet izolētu dzinēja apgriezienu vadības regulējumu. Nedrīkst izslēgt vai pārveidot zāles plaujmašīnas drošības sistēmas vai funkcijas.
- Pirms dzinēja iedarbināšanas atbrīvojiet visas asmens un piedziņas uznavas.



- Dzinēju iedarbiniet uzmanīgi, saskaņā ar norādījumiem un nestāviet asmens/-gu tuvumā.
- Iedarbinot dzinēju, nesasveriet zāles plaujumašīnu.
- Neiedarbiniet dzinēju, ja stāvat izlaides teknes tuvumā.
- Nelieciet plaukstas vai pēdas rotējošo detaļu tuvumā vai zem tām. Nekad nestāviet izvades atveres tuvumā.
- Nekad neceliet un nenesiet zāles plaujumašīnu, ja darbojas dzinējs.
- Apturiet dzinēju un atvienojiet aizdedzes sveces vadu; pārbaudiet, vai visas kustīgās daļas ir pilnībā apstājušās un, ja ierīkota atslēga, to noņemiet:
  - pirms nosprostojumu tīrīšanas vai izlaides teknes tīrīšanas;
  - pirms zāles plaujumašīnas pārbaudīšanas, tīrīšanas vai strādāšanas ar to;
  - pēc atsišanās pret kādu priekšmetu. Pārbaudiet, vai zāles plaujumašīnai nav bojājumu un veiciet remontu pirms zāles plaujumašīnas atkārtotas iedarbināšanas un lietošanas;
  - ja zāles plaujumašīna sāk neparasti vibrēt (nekvējojoties pārbaudiet).
- Apturiet dzinēju un atvienojiet aizdedzes sveces vadu; pārbaudiet, vai visas kustīgās daļas ir pilnībā apstājušās un, ja ierīkota atslēga, to noņemiet:
  - ja atstājat zāles plaujumašīnu bez uzraudzības;
  - pirms degvielas uzpildes.
- Apturot dzinēju, samaziniet droseles iestatījumu un, ja dzinējs ir aprīkots ar izslēgšanas vārstu, plaušanas beigās izslēdziet degvielas padevi.
- Zāles plaujumašīnu izmantojiet tikai paredzētajam mērķim — zāles plaušanai un savākšanai. Izmantošana citiem mērķiem var būt bīstama un izraisīt mašīnas bojājumus.

## Apkope un uzglabāšana

- Vienmēr cieši pieskrūvējiet visus uzgriežņus, bultskrūves un skrūves, lai nodrošinātu iekārtas drošu darba stāvokli.
- Nekad neuzglabājiet ierīci ar benzīnu tvertnē ēkā, kur izgarojumi var saskarties ar atklātu liesmu vai dzirkstelēm.
- Pirms ierīces uzglabāšanas noslēgtā vietā ļaujiet dzinējam atdzist. Pirms zāles plaujumašīnas novietošanas glabāšanā iztīriet to un veiciet tai apkopi.

## 4. TEHNISKIE DATI

Modelis	PLM4120N	PLM4620N
Dzinēja tips	B&S 500E Sērija	B&S 625E Sērija
Pašgājēja ierīce	Nē	Nē
Dzinēja darba tilpums	140 cm <sup>3</sup>	190 cm <sup>3</sup>
Nominālā jauda	1,9 kW	2,4 kW
Asmens platums	410 mm	460 mm
Tukšgaitas ātrums	2 800/min	2 800/min
Degvielas tvertnes tilpums	0,8 l	1,0 l
Eļļas tvertnes tilpums	0,47 l	0,6 l
Zāles uztvērēja maisa tilpums	50 l	60 l
Neto svars	26,0 kg	31,1 kg

## Transportēšana un pārvietošana

- Kad mašīnu paredzēts pārvietot, pacelt, transportēt vai savvērt:
  - valkājiet izturīgus darba cimdus;
  - satveriet mašīnu punktus, aiz kuriem var droši satvert, ņemot vērā mašīnas svaru un tā sadalījumu;
  - mašīnas pacelšanai izmantojiet pietiekamu cilvēku skaitu, ņemot vērā transportlīdzekļa raksturojumu vai vietu, kur mašīna jānovieto vai jāsavāc.
- Transportēšanas laikā mašīnu cieši nostipriniet ar virvēm vai ķēdēm.



**BRĪDINĀJUMS:** Nepieskarieties rotējošam asmenim.



**BRĪDINĀJUMS:** Veiciet degvielas uzpildi labi vēdinātā vietā, kad dzinējs ir izslēgts.

## 3. DAĻU APRAKSTS (1. un 2. att.)

### Iekļauts komplektā:

- A: Aizdedzes sveces uzgriežņu atslēga
- B: Mulčēšanas ķīlis

Modelis	PLM4120N	PLM4620N
Augstuma regulēšana	25 - 70 mm, 5 stāvokļi	25 - 70 mm, 5 stāvokļi
Garantētais skaņas jaudas līmenis operatora pozīcijā (saskaņā ar EN ISO 5395-1 F pielikumu, EN ISO 5395-2 un EN ISO 4871)	84,6 dB (A) (K = 3 dB (A))	83,5 dB (A) (K = 3 dB (A))
Novērtētais skaņas jaudas līmenis	93,4 dB (A) K = 1,93 dB (A)	93,6 dB (A) K = 2,47 dB (A)
Garantētais skaņas jaudas līmenis (saskaņā ar 2000/14/EK)	96 dB (A)	96 dB (A)
Vibrācija (saskaņā ar EN ISO 5395-1 G pielikumu un EN ISO 5395-2)	5,27 m/s <sup>2</sup> K = 1,5 m/s <sup>2</sup>	5,738 m/s <sup>2</sup> K = 1,5 m/s <sup>2</sup>

## 5. MONTĀŽA

### 5-1 SALOKĀMĀ ROKTURA MONTĀŽA

- A) Apakšējos stienus piestipriniet pie ierīces korpusa ar diviem komplektiem bulskrūvju, uzgriežņu un bloķēšanas rokturu, kā attēlots. (3. att., 4. att., 5. att., 6. att.)
- B) Atbrīvojiet augšējos stienus, lai rokturi varētu salocīt. Pievienojiet augšējo rokturi un apakšējo rokturi ar diviem komplektiem bulskrūvju, uzgriežņu un bloķēšanas rokturu. (7. att., 8. att., 9. att.)
- C) Novietojiet visus kabelus pāri roktura asīm. Ar kabēļa skavām piestipriniet kabelus apakšējo rokturu vidusdaļā tā, lai kabēļi ir piestiprināti ierīces ārpusē. Pretējā gadījumā kabēļi var iesprūst, kad tiek atvērts/aizvērts aizmugures vāks, vai tos var iespiest, saliecot augšējo rokturi. (10. att.)

### 5-2 ZĀLES UZTVĒRĒJA MONTĀŽA

- Lai uzstādītu: paceliet aizmugures vāku un piestipriniet zāles uztvērēju pie ass, kas atrodas pļaujmašīnas aizmugurē. (11. att., 12. att.)
- Lai noņemtu: satveriet un paceliet aizmugures vāku un noņemiet zāles uztvērēju.

### 5-3 IEDARBINĀŠANAS ROKTURIS

Virziet iedarbināšanas rokturi no dzinēja pie troses virzītāja. (13. att., 14. att.)

### 5-4 PĻAUŠANAS DZIĻUMS

Lai atbrīvotu sviru no rāmja, nospiediet to uz ārpusi. Virziet sviru uz priekšu vai aizmuguri, lai noregulētu augstumu. (15. att., kā arī skatiet 8.-8. punktu.)

## 6. PIEMĒROTA AUGSTUMA NOREGULĒŠANA

- Atskrūvējiet bloķēšanas rokturi, kas fiksē apakšējo rokturi. (16. att.)
- Skatiet 17. att.; virzot apakšējo rokturi uz augšu un uz leju, noregulējiet pareizu augstumu. Šim pļaujmašīnas tipam iespējams izvēlēties vienu no 3 regulēšanas stāvokļiem; pirmajā stāvoklī apakšējais rokturis no zemes atrodas vistālāk, trešajā stāvoklī tas atrodas vistuvāk zemei.
- Noregulējiet vajadzīgo augstumu un nofiksējiet apakšējo rokturi ar bloķēšanas rokturiem.



**BRĪDINĀJUMS:** Apakšējā roktura kreisajai un labajai pusei jābūt vienādā augstumā.

## 7. 2 FUNKCIJAS 1

Zāles pļaujmašīnas sākotnējo funkciju var pārveidot uz citu funkciju atkarībā no izmantošanas mērķa.

Zāles pļaujmašīnu ar aizmugures izvadi iespējams pārveidot par pļaujmašīnu ar mulčēšanu. Kas ir mulčēšana?

Veicot mulčēšanu, zāle vispirms tiek nopļauta, pēc tam sasmalcināta un kā dabiskais mēslojums iestrādāta atpakaļ zālienā.

Padomi pļaušanai ar mulčēšanu:

- Regulāri pļaujiet maks. 2 cm no 6 cm līdz 4 cm garas zāles;
- Izmantojiet asu griešanas nazi.
- Neplaujiet mitru zāli.
- Iestatiet maksimālo dzinēja ātrumu.
- Pļaujiet tikai darba ātrumā.
- Regulāri tīriet mulčēšanas kļīti, korpusa iekšpusi un pļaušanas asmeni.

## VIENS: Pārveidošana par pļaujmašīnu ar mulčēšanu



**BRĪDINĀJUMS:** Tikai ar izslēgtu motoru un nekustīgu asmeni.

- Paceliet aizmugures vāku un noņemiet zāles uztvērēju.
- Ievietojiet mulčēšanas kļīti pamatnē. Ar aizgriezni nostipriniet mulčēšanas kļīti pamatnes atvērumā. (18. att., 19. att.)
- Aiztaisiet aizmugures vāku.

## DIVI: Pļaušana ar zāles uztvērēju

- Lai pļautu ar zāles uztvērēju, noņemiet mulčēšanas kļīti, kā arī piestipriniet zāles uztvērēju.
- Mulčēšanas kļīļa noņemšana.
- Paceliet aizmugures vāku un noņemiet mulčēšanas kļīti.



**BRĪDINĀJUMS:** Tikai ar izslēgtu motoru un nekustīgu asmeni.

## 8. EKSPLUATĀCIJAS NORĀDĪJUMI

### 8-1 PIRMS DARBA SĀKŠANAS

Piepildiet plaujmašīnu ar benzīnu un eļļu, kā norādīts atsevišķā dzinēja rokasgrāmatā, kas pievienota plaujmašīnai. Rūpīgi izlasiet norādījumus.



**BRĪDINĀJUMS:** Benzīns ir ļoti viegls uzliesmojošs.

Uzglabājiet degvielu tai īpaši paredzētās tvertnēs. Uzpildiet degvielu tikai ārpus telpām, pirms dzinēja iedarbināšanas; pildot vai pārvietojot degvielu nesmēķējiet.

Nekādā gadījumā nenoņemiet degvielas tvertnes vāciņu vai neuzpildiet degvielu, kad dzinējs darbojas vai kad tas ir karsts.

Ja degviela ir izšļakstījusies, neiedarbiniet dzinēju, bet gan pārvietojiet ierīci prom no vietas, kur degviela ir izšļakstījusies, un neveidojiet uzliesmojošus avotus, kamēr benzīna izgarojumi nav izzuduši.



Cieši novietojiet atpakaļ degvielas vāciņu un tvertņu vāciņus.

Pirms sasvērt zāles plaujmašīnu, lai veiktu asmens apkopi vai iztecinātu eļļu, atbrīvojiet tvertni no degvielas.



**BRĪDINĀJUMS:** Nekad nepildiet degvielas tvertni iekštelpās, ar ieslēgtu dzinēju, vai kamēr dzinējs pēc ekspluatācijas nav atdzisis vismaz 15 minūtes.

### 8-2 DZINĒJA IEDARBINĀŠANA UN ASMENS PALAIŠANA

1. Ierīcei virs aizdedzes sveces gala atrodas gumijas apvalks. Pārbaudiet, vai metāla cilpa aizdedzes sveces vada galā (gumijas apvalka iekšpusē) ir cieši piestiprināta virs aizdedzes sveces metāla uzgaļa.
2. Nospiediet aizdedzināšanas kameru 3-5 reizes pirms dzinēja iedarbināšanas. **(20. att.)**
3. Iedarbinot aukstu dzinēju, pagrieziet droseļaizbīdņa sviru stāvoklī „”. Iedarbinot uzsildītu dzinēju un sākot ar to strādāt, pagrieziet droseļaizbīdņa sviru stāvoklī „”. **(21. att.)**
4. Stāviet aiz ierīces, satveriet bremzes kontroles rokturi un turiet to pret augšējo rokturi, kā parādīts **22. att.**
5. Satveriet iedarbināšanas rokturi, kā parādīts **22. att.**, un strauji to pavelciet. Pēc dzinēja iedarbināšanas lēnām to novietojiet atpakaļ pie troses virzītāja skrūves. Lai apturētu dzinēju un asmeni, atlaidiet kontroles rokturi.



Dzinēju iedarbiniet uzmanīgi, saskaņā ar norādījumiem un nestāviet asmens tuvumā.



Iedarbinot dzinēju, nenasveriet zāles plaujmašīnu. Plaujmašīnu iedarbiniet uz līdzenas virsmas, uz kuras nav zāles vai priekšmetu.



Netuviniet rokas un kājas rotējošām daļām. Neiedarbiniet dzinēju, ja stāvat izlaides teknes atvēruma tuvumā.

### 8-3 EKSPLUATĀCIJAS PROCEDŪRAS

Ekspluatācijas laikā ar abām rokām cieši turiet bremzes kontroles rokturi.



**Piezīme:** Atlaižot bremzes kontroles rokturi ekspluatācijas laikā, dzinējs apstāsies, un zāles plaujmašīna nedarbosies.



**BRĪDINĀJUMS!** Lai nejauši neiedarbinātu zāles plaujmašīnu, tā ir aprīkota ar dzinēja bremzi, kas pirms dzinēja iedarbināšanas ir jāpavelk atpakaļ. Kad dzinēja kontroles svira ir atlaista, tai ir jāatgriežas sākotnējā pozīcijā, kā rezultātā dzinējs automātiski tiek izslēgts.



**Piezīme:** Dzinēja bremze (bremzes svira). Izmantojiet šo sviru, lai apturētu dzinēju. Atlaižot sviru, dzinējs ir asmens automātiski pārstāj darboties. Plaujot turiet sviru darba pozīcijā. Pirms plaušanas vairākas reizes pārbaudiet iedarbināšanas/apturēšanas sviru, vai tā pareizi darbojas. Pārbaudiet, vai sprieguma kabelis darbojas bez aizķeres (t.i., neķeras vai nesavijas).

### 8-4 DZINĒJA APTURĒŠANA



**UZMANĪBU:** Pēc dzinēja izslēgšanas asmens turpina griezties vairākas sekundes.

1. Lai apturētu dzinēju un asmeni, atlaidiet kontroles rokturi.
2. Atvienojiet un iezemējiet aizdedzes sveces vadu, kā norādīts atsevišķā dzinēja rokasgrāmatā, lai nepieļautu dzinēja nejašu iedarbināšanu, kad ierīce atstāta bez uzraudzības.

### 8-5 LABĀKIEM PĻAUŠANAS REZULTĀTIEM

Attīriet mauriņu no netīrumiem — no mauriņa novāciet akmeņus, žaģarus, stieples un citus priekšmetus, ko plaujmašīna varētu nejausi aizmest kādā virzienā un izraisīt nopietnus ievainojumus lietotājam un citām personām, kā arī bojāt īpašumu un apkārtējos objektus. Nepļaujiet mitru zāli. Lai pļaušana būtu efektīva, nepļaujiet mitru zāli, jo tā pielīp pie pamatnes apakšas, neļaujot pareizi veikt zāles atgriezumus pļaušanu. Nepļaujiet vairāk nekā 1/3 no zāles garuma — ieteicamais zāles garums pļaušanai ir 1/3 no zāles garuma. Nepieciešams noregulēt pamata ātrumu tā, lai nopļauto zāli varētu vienmērīgi izkaisīt pa mauriņu. Pļaujot sevišķi garu un biezu zāli, var būt nepieciešams izmantot vienu no zemākajiem ātrumiem, lai nodrošinātu vienmērīgu pļaušanu. Pļaujot garu zāli, mauriņu var būt nepieciešams pļaut divas reizes, otro reizi nolaižot asmeni vēl par 1/3 zemāk no zāles garuma, kā arī, iespējams, pļaujot atšķirīgā virzienā nekā pirmo reizi. Katru reizi pļaujot nedaudz pāri iepriekšējai pļaušanas vietai, iespējams arī novākt zāles atgriezumus, kas var būt palikuši uz mauriņa. Plaujmašīna vienmēr jādarbina pilnā jaudā, lai iegūtu labāko zāles griezumu un nodrošinātu vislabāko pļaušanu. Notīriet pamatnes

apakšu — pēc katras izmantošanas reizes notīriet plaušanas pamatnes apakšu, lai novērstu zāles sakrāšanos, kas neļaus pareizi veikt mulčēšanu. Lapu plaušana: lapu plaušana var būt labvēlīga mauriņam. Plaujot lapas, pārbaudiet, vai tās ir sausas un uz zālāja nav pārāk biežā slāni. Negaidiet, kamēr no kokiem nokritīs visas lapas, pirms veikt plaušanu.



**BRĪDINĀJUMS:** Ja plaujmašīna atsitas pret kādu priekšmetu, apturiet dzinēju. No aizdedzes sveces noņemiet vadu, rūpīgi pārbaudiet, vai plaujmašīnai nav bojājumu un, pirms atkal iedarbināt un lietot plaujmašīnu, novērsiet bojājumus. Pārmērīga plaujmašīnas vibrācija ekspluatācijas laikā liecina par bojājumiem. Nekavējoties pārbaudiet ierīci un salabojat.

## 8-6 ZĀLES UZTVĒRĒJS

Iztukšojiet un iztīriet maisu, pārliecinieties, vai tas ir tīrs un pārbaudiet, vai tas tiek vēdināts. (23. att.)

## 8-7 PAMATNE

Pēc katras izmantošanas reizes notīriet plaujmašīnas pamatnes apakšu, lai novērstu zāles, lapu, netīrumu un citu vielu sakrāšanos. Ja ļauj sakrāties netīrumiem, tas veicina rūsu un koroziju, un neļaus pareizi veikt mulčēšanu. Pamatni var notīrīt, plaujmašīnu sagāžot un notīrot ar piemērotu instrumentu (pārbaudiet, vai aizdedzes sveces vads ir atvienots).

## 8-8 NORĀDĪJUMI AUGSTUMA REGULĒŠANAI



**UZMANĪBU:** Nekad neregulējiet zāles plaujmašīnu, ja vispirms nav apturēts dzinējs un atvienots aizdedzes sveces vads.



**UZMANĪBU:** Pirms plaušanas augstuma maiņas apturiet plaujmašīnu un atvienojiet aizdedzes sveces vadu. Plaujmašīnai ir centrālā augstuma regulēšanas svira ar 5 augstuma stāvokļiem.

1. Pirms plaušanas augstuma maiņas apturiet plaujmašīnu un atvienojiet aizdedzes sveces vadu.
2. Centrālajai augstuma regulēšanas svirai ir 5 dažādi augstuma stāvokļi.
3. Lai mainītu plaušanas stāvokli, velciet regulēšanas sviru pret riteņiem, virzot sviru uz augšu vai leju, lai izvēlētos augstumu (24. att.). Visi riteņi būs vienādā plaušanas augstumā.

## 9. TEHNISKĀS APKOPES NORĀDĪJUMI

### AIZDEDES SVECE

Izmantojiet tikai oriģinālo rezerves aizdedzes sveci. Labākiem rezultātiem nomainiet aizdedzes sveci pēc katrām 100 lietošanas stundām. (skatiet DZINĒJA LIETOTĀJA ROKASGRĀMATU)

## BREMZES KLUČI

Regulāri vērsieties pie servisa pārstāvja, lai pārbaudītu un/vai nomainītu dzinēja bremzes klučus; nomaīnai drīkst lietot tikai oriģinālās detaļas.

## 10. NORĀDĪJUMI EĻĻOŠANAI



**UZMANĪBU:** VIENMĒR PIRMS APKOPES VEIKŠANAS ATVIENOJIET AIZDEDES SVECI.

1. RITENĪ — vismaz reizi sezonā ar zemas viskozitātes eļļu ieeļļojiet katra riteņa lodīšu guļņus.
2. DZINĒJS — norādījumus eļļošanai meklējiet dzinēja rokasgrāmatā.
3. BREMZES — vismaz reizi sezonā ar zemas viskozitātes eļļu ieeļļojiet griešanās punktus uz bremzes kontroles roktura un bremzes trosi. Bremzes kontroles rokturim brīvi jāgriežas abos virzienos.

## 11. TĪRĪŠANA



**UZMANĪBU:** Neskalojiet dzinēju ar šļūteni. Ūdens var sabojāt dzinēju un piesārņot degvielas sistēmu.

1. Noslaukiet pamatni ar sausu lupatīņu.
2. Noskalojiet pamatnes apakšu ar šļūteni, sagāžot plaujmašīnu tā, lai aizdedzes svece atrodas augšā.

## 11-1 DZINĒJA GAISA FILTRS



**UZMANĪBU:** Neļaujiet netīrumiem vai putekļiem aizsprostot gaisa filtra filtrējošo elementu.

Gaisa filtra elementam jāveic apkope (jātīra) pēc 25 stundām plaušanas normālos apstākļos. Filtrējošam elementam regulāri jāveic apkope, ja plaujmašīnu izmanto sausos, putekļainos apstākļos. (skatiet DZINĒJA LIETOTĀJA ROKASGRĀMATU).

## GAISA FILTRA TĪRĪŠANA

1. Izmantojot PLM4120N: paceliet mēlītes uz filtra pārsega.
2. Izmantojot PLM4620N: Atskrūvējiet skrūvi.
3. Noņemiet vāku.
4. Nomazgājiet filtra elementu ziepjūdenī.
5. Filtra elementu nožāvējiet ar gaisu.
6. Uzpildiniet dažas lāses SAE30 eļļas uz filtra un cieši saspiediet, lai atbrīvotos no liekās eļļas.
7. Atlieciet filtru atpakaļ.
8. Aizveriet filtra vāku.



**PIEZĪME.** Nomainiet filtru, ja tas ir nodilis, bojāts vai to nevar notīrīt. (25. att. modelim PLM4120N)

## 11-2 GRIEZĒJASMENS



**UZMANĪBU:** Lai nepieļautu dzinēja nejaušu iedarbināšanu, pirms sākt darbu ar griezējasmēni atvienojiet un iezemējiet aizdedzes sveces vadu. Izmantojiet biezus cimdus, lai aizsargātu rokas, satverot griezējasmēni. Sašķiebiet plaujmašīnu, kā norādīts atsevišķajā dzinēja rokasgrāmatā. Atskrūvējiet seššķautņņu bultskrūvi un uzgriezni, kas piestiprina asmeni un asmens turētāju pie dzinēja kloķvārpstas. Noņemiet asmeni un turētāju no kloķvārpstas.



**BRĪDINĀJUMS:** Regulāri pārbaudiet, vai asmens turētājam nav plaisu, jo īpaši, ja plaujmašīna atsitas pret kādu priekšmetu. Ja nepieciešams, nomainiet. Lai iegūtu labākus rezultātus, asmenim ir jābūt asam. Asmeni var atkārtoti uzasināt, to noņemot un griezējmalu noslīpējot vai novīlējot, pēc iespējas ievērojot sākotnējo leņķi. Ļoti svarīgi ir nodrošināt, lai visas griezējmalas būtu vienādi noslīpētas, lai nepieļautu nebalansēta asmens izveidošanos. Nepareizi balansēts asmens radīs pārmērīgu vibrāciju, kas var izraisīt bojājumus dzinējam un plaujmašīnai. Pēc uzasināšanas rūpīgi balansējiet asmeni. Asmens balansu var pārbaudīt, to balansējot uz apaļas skrūvgrieža ass. Noņemiet metālu no smagākās puses, līdz asmens ir balansā. **(26. att.)** Pirms asmens un asmens adaptera piestiprināšanas pie ierīces, ar zemas viskozitātes eļļu ieeļļojiet dzinēja kloķvārpstu un asmens turētāja iekšējo virsmu. Piestipriniet asmens turētāju pie kloķvārpstas. Skatiet **26. att.** Novietojiet asmeni tā, lai daļas numurs neatrodas turētāja pusē. Novietojiet blīvi virs asmens un ievietojiet seššķautņņu skrūvi. Pieskrūvējiet seššķautņņu skrūvi atbilstoši šeit norādītajam griezes momentam.

## 11-3 ASMENS PIESTIPRINĀŠANAS GRIEZES MOMENTS

Centrālā skrūve jāpieskrūvē ar 35–45 Nm griezes momentu. Lai nodrošinātu ierīces drošu ekspluatāciju, regulāri jāpārbauda, vai VISI uzgriežņi un skrūves ir pareizi pieskrūvētas. Pēc ilgstošas lietošanas, jo īpaši, ja augsne ir smilšaina, asmens nodils, un tam vairs nebūs sākotnējās formas. Plaušanas efektivitāte būs samazināta, tādēļ asmens ir jānomaina. Nomainiet tikai pret apstiprinātas rūpnīcas rezerves asmeni. Razotājs neuzņemas atbildību par iespējamiem bojājumiem, kas radušies nebalansēta asmens. Nomainot asmeni, izmantojiet oriģinālo tipu, kas norādīts uz asmens (MAKITA 263001433, kas paredzēts PLM4120N; MAKITA 263001451, kas paredzēts PLM4620N). (Lai pasūtītu asmeni, lūdz, sazinieties ar vietējo izplatītāju vai zvaniet mūsu uzņēmumam.)



**BRĪDINĀJUMS:** Nepieskarieties rotējošam asmenim.

## 11-4 DZINĒJS

Dzinēja apkopes norādījumus skatiet atsevišķā dzinēja rokasgrāmatā.

Piepildiet eļļu, kā norādīts atsevišķā dzinēja rokasgrāmatā, kas pievienota plaujmašīnai. Rūpīgi izlasiet un izpildiet norādījumus. Gaisa filtru apkopiet, kā norādīts atsevišķā dzinēja rokasgrāmatā attiecībā uz normāliem apstākļiem. Sevišķi putekļainos apstākļos tīriet ik pēc dažām stundām. Slikts dzinēja sniegums un pārplūšana parasti liecina, ka gaisa filtram nepieciešama apkope.

Lai veiktu apkopi gaisa filtram, skatiet atsevišķu dzinēja rokasgrāmatu, kas pievienota plaujmašīnai. Aizdedzes svece jātīra un sprauga jāregulē reizi sezonā. Aizdedzes sveci ieteicams nomainīt katras plaušanas sezonas sākumā — dzinēja rokasgrāmatā nosakiet pareizo sveces tipu un spraugas tehniskos datus. Dzinēju regulāri tīriet ar lupatiņu vai birstīti. Dzesēšanas sistēmu (pūtējventilatora korpusa zonu) uzturiet tīru, lai nodrošinātu pietiekamu gaisa cirkulāciju, kas ir nepieciešama dzinēja sniegumam un kalpošanas ilgumam. No kļūsnātāja zonas noņemiet zāli, netīrumus un viegli uzliesmojošus materiālus.

## 12. NORĀDĪJUMI GLABĀŠANAI (PĒC SEZONAS BEIGĀM)

Lai zāles plaujmašīnu sagatavotu glabāšanai, jāveic šādi pasākumi.

1. Pēc pēdējās plaušanas reizes sezonā iztukšojiet tvertni.
  - a) Degvielas tvertni iztukšojiet ar sūcējsūkni.



**UZMANĪBU:** Neizlejiet benzīnu slēgtās telpās, tuvu atklātai ugunij u. c. Nesmēķējiet! Benzīna izgarojumi var izraisīt eksploziju vai ugunsgrēku.

- b) Iedarbiniet dzinēju un ļaujiet tam darboties, līdz ir izlietots atlikušais benzīns un tas apstājas.
  - c) Izņemiet aizdedzes sveci. Izmantojiet eļļas kannu, lai iepildītu 20 ml eļļas degkamerā. Iedarbiniet starteri, lai degkamerā vienmērīgi sadalītu eļļu. Nomainiet aizdedzes sveci.
2. Uzmaniņi notīriet un ieeļļojiet zāles plaujmašīnu, kā aprakstīts iepriekš sadaļā „NORĀDĪJUMI EĻĻOŠANAI”.
  3. Viegli ieeļļojiet griešanas ierīci, lai novērstu koroziju.
  4. Uzglabājiet zāles plaujmašīnu sausā, tīrā un no sala aizsargātā vietā, kur nevar iekļūt nepiederošas personas.



**UZMANĪBU:** Pirms zāles plaujmašīnas novietošanas glabāšanā ļaujiet dzinējam pilnībā atdzist.



**PIEZĪME:** Ja mehānizētās ierīces glabājat nevēdināmā telpā vai materiālu glabāšanas noliktavā;

- Ierīcēm nepieciešams nodrošināt aizsardzību pret rūsū. Pārklājiet ierīci, jo sevišķi tās kabelus un kustīgās daļas, ar zemas viskozitātes eļļu vai silikonu.
- Uzmanieties, lai nesaliektu un nesamezglotu kabelus.
- Ja iedarbināšanas trose atvienojas no troses virzītāja uz roktura, atvienojiet un iezemējiet aizdedzes sveces vadu, nospiediet asmens kontroles rokturu un lēnām

izvelciet iedarbināšanas trosi ārā no dzinēja. Ievietojiet iedarbināšanas trosi troses virzītāja skrūvē uz roktura.

## Pārvietošana

Izslēdziet dzinēju un ļaujiet tam atdzist. Tad atvienojiet aizdedzes sveces vadu un iztukšojiet degvielas tvertni saskaņā ar norādījumiem dzinēja rokasgrāmatā. Stumjot zāles pļaujmašīnu pāri šķēršļiem, nesalieciet un nesabojājiet griezējasmēni.

## 13. PROBLĒMU NOVĒRŠANA

PROBLĒMA	IESPĒJAMĀIS CĒLONIS	PROBLĒMAS NOVĒRŠANA
Dzinējs nesāk darboties.	Droseļajzbīdnis neatrodas apstākļiem atbilstošā stāvoklī.	Pārvietojiet droseļajzbīdni pareizā stāvoklī.
	Degvielas tvertne ir tukša.	Iepildiet tvertnē degvielu — skatiet DZINĒJA LIETOTĀJA ROKASGRĀMATU.
	Gaisa filtra elements ir netīrs.	Notīriet gaisa filtra elementu — skatiet DZINĒJA LIETOTĀJA ROKASGRĀMATU.
	Aizdedzes svece ir vaļīga.	Pieskrūvējiet aizdedzes sveci ar 25–30 Nm.
	Aizdedzes sveces vads ir vaļīgs vai atvienojies no sveces.	Pievienojiet aizdedzes sveces vadu pie aizdedzes sveces.
	Aizdedzes sveces sprauga nav pareiza.	Spraugu starp elektrodiem noregulējiet no 0,7 līdz 0,8 mm.
	Aizdedzes svece ir bojāta.	Uzstādiat jaunu sveci ar pareizu spraugas attālumu — skatiet DZINĒJA LIETOTĀJA ROKASGRĀMATU.
	Karburatorā ir pārplūdusi degviela.	Izņemiet gaisa filtra elementu un nepārtraukti velciet iedarbināšanas trosi, līdz karburators ir attīrīts; pēc tam atlieciet atpakaļ gaisa filtra elementu.
Dzinēju ir grūti iedarbināt, vai tas zaudē jaudu.	Bojāts aizdedzes modulis.	Sazinieties ar pilnvarotu Makita apkopes centru.
	Tvertnē ir netīrumi, ūdens vai sastāvējusies degviela.	Izteciniet degvielu un iztīriet tvertni. Piepildiet tvertni ar tīru, svaigu degvielu.
	Degvielas tvertnes vāciņa ventilācijas atvere ir nosprostota.	Iztīriet vai nomainiet degvielas tvertnes vāciņu.
Dzinējs darbojas ar pārtraukumiem.	Gaisa filtra elements ir netīrs.	Notīriet gaisa filtra elementu.
	Aizdedzes svece ir bojāta.	Uzstādiat jaunu sveci ar pareizu spraugas attālumu — skatiet DZINĒJA LIETOTĀJA ROKASGRĀMATU.
	Aizdedzes sveces sprauga nav pareiza.	Spraugu starp elektrodiem noregulējiet no 0,7 līdz 0,8 mm.
Vāji dzinēja tukšgaitas apgriezieni.	Gaisa filtra elements ir netīrs.	Notīriet gaisa filtra elementu — skatiet DZINĒJA LIETOTĀJA ROKASGRĀMATU.
	Vēdināšanas atveres dzinēja korpusā ir bloķētas.	Iztīriet netīrumus no atverēm.
	Dzesēšanas ribas un gaisa plūsmas ceļi zem dzinēja pūtējventilatora korpusa ir bloķēti.	Notīriet netīrumus dzesēšanas ribās un gaisa plūsmas ceļos.
Lielā ātrumā dzinējs pārlec.	Spraugu starp aizdedzes sveces elektrodiem ir pārāk maza.	Spraugu starp elektrodiem noregulējiet no 0,7 līdz 0,8 mm.
Dzinējs pārkarst.	Dzesēšanas gaisa plūsma ir sašaurināta.	No atverēm korpusā, pūtējventilatora korpusā, gaisa plūsmas ceļiem iztīriet visus netīrumus.
	Nepareiza aizdedzes svece.	Modeļa PLM4120N gadījumā uzstādiat dzinējam QC12YC vai RC12YC aizdedzes sveci un dzesēšanas ribas. PLM4620N dzinējam uzstādiat RJ19LMC aizdedzes sveci un dzesēšanas ribas.
Pļaujmašīna neparasti vibrē.	Pļaušanas mehānisms ir vaļīgs.	Pieskrūvējiet asmeni.
	Pļaušanas mehānisms nav balansēts.	Balansējiet asmeni.

## 14. APKĀRTĒJĀS VIDES AIZSARDZĪBA

Ja ierīci pēc ilgstošas kalpošanas nepieciešams nomainīt, neizmetiet to māsasaimniecības atkritumos, bet likvidējiet apkārtējai videi nekaitīgā veidā.

### Tikai Eiropas valstīm EK atbilstības deklarācija

**Makita ar šo apliecina, ka šāds izstrādājums:**

Darbarīka nosaukums:

Benzīna zāles pļaujmašīna

Modeļa Nr./ tips: PLM4120N, PLM4620N

Specifikācijas: skatiet sadaļā „4. TEHNISKIE DATI”

**atbilst šādām Eiropas Savienības Direktīvām:**

2004/108/EK, 2006/42/EK, 2000/14/EK un 2005/88/  
EK

un ir ražots saskaņā ar šādiem standartiem vai  
normatīvajiem dokumentiem:

EN ISO 5395-1, EN ISO 5395-2, EN ISO 14982

Tehniskā dokumentācija atbilst 2006/42/EK, un to  
nodrošina:

Makita, Jan-Baptist Vinkstraat 2, 3070, Beļģija

Atbilstības novērtējuma procedūra, ko nosaka Direktīva  
2000/14/EK, veikta atbilstoši VI pielikumam.

Pieteiktā iestāde:

TÜV SÜD Industrie Service GmbH

Westendstrasse 199, D-80686 München, Vācija

Identifikācijas numurs: 0036

PLM4120N

Novērtētais skaņas jaudas līmenis: 93,4 dB

Garantētais skaņas jaudas līmenis: 96 dB

PLM4620N

Novērtētais skaņas jaudas līmenis: 93,6 dB

Garantētais skaņas jaudas līmenis: 96 dB

22.8.2014



Yasushi Fukaya  
Direktors

Makita, Jan-Baptist Vinkstraat 2, 3070, Beļģija

**Bendrasis aprašymas**

- |                                |                                |                           |
|--------------------------------|--------------------------------|---------------------------|
| 1. Viršutinė rankena           | 6. Žolės gaudyklė              | 11. Alyvos bako dangtelis |
| 2. Sustabdymo valdymo rankena  | 7. Aukščio reguliavimo svirtis | 12. Kabelio laikiklis     |
| 3. Droselinės sklendės svirtis | 8. Dugnas                      | 13. Fiksavimo rankenėlė   |
| 4. Starterio rankena           | 9. Uždegimo žvakė              | 14. Didelis greitis       |
| 5. Troso kreiptuvas            | 10. Degalų bako dangtelis      | 15. Mažas greitis         |

**ĮSPĖJIMAS**

Savo pačių saugai prieš pradėdami naudoti šį naują įrenginį atidžiai perskaitykite šį vadovą. Nesilaikant instrukcijų, galima sunkiai susižeisti. Prieš pradėdami naudoti vejąpovę, skirkite šiek tiek laiko susipažinti su ja. Laikykite šį vadovą saugioje vietoje, kad visada galėtumėte pasiekti informaciją. Jei ketinate perduoti įrenginį kitam asmeniui, kartu perduokite šias naudojimo instrukcijas ir saugos taisykles.

**Paskirtis**

Šia įranga galima atlikti tik tas užduotis, kurioms vykdyti ji suprojektuota. Bet koks kitas naudojimas laikomas netinkamu. Už žalą ar sužalojimus, kurie gali būti sukelti taip elgiantis, bus atsakingas naudotojas (operatorius), o ne gamintojas.

Naudokite žoliapovę yra skirta naudoti privačiai, t. y. prie namo ar sode.

Vejąpovės naudojimo privačiai apribojimas – ne daugiau nei 50 valandų per metus. Šiuo laikotarpiu įrenginys turi būti naudojamas nedidelio ploto gyvenamosioms vejoms pjauti prie namų ar soduose. Tai negalioja viešiesiems objektams, sporto aikštynams ir eksploatacijai žemės ūkio / miškininkystės tikslais.

Atminkite, kad mūsų įranga nebuvo projektuojama naudoti komerciniais, prekybiniais ar pramoniniais tikslais. Jei įrenginys bus naudojamas komerciniais, prekybiniais, pramoniniais ar analogiškais tikslais, bus anuliuota suteikta garantija.

Siekiant užtikrinti tinkamą vejąpovės naudojimą ir techninę priežiūrą, būtina laikytis gamintojo pateiktų naudojimo instrukcijų. Instrukcijose pateikiama vertingos informacijos apie naudojimą, techninę priežiūrą ir šios sąlygas.

Svarbu! Dėl naudotojui kylančio didelio susižalojimo pavojaus vejąpovės negalima naudoti krūmams, krūmokšniams ar gyvatvorėms apkarpyti, pakopinei augmenijai pjauti, žolei ant stogo ar balkonuose pjauti, nešvarumams ir šiukšlėms surbti nuo šaligatvių arba medžių ir krūmų nuopjovoms smulkinti. Be to, vejąpovės negalima naudoti kaip kultivatoriaus vejos kauburiams (pvz., kurmiaurusiams) išlyginti.

Saugos sumetimais vejąpovės negalima naudoti kaip kitų bet kokios rūšies įrankių ar jų komplektų pavaros.

**1. ANT GAMINIO PAŽYMĖTI ŽENKLAI (ant galinio dangčio)**

Perskaitykite vartotojo vadovą.



Neleiskite artyn pašalinių asmenų.



Naudodami žoliapovę, kreipkite daugiau dėmesio į rankas ir kojas, kad išvengtumėte susižeidimų.



Nuodingos išmetamosios dujos; Nenaudokite uždarose patalpose.



Degalai yra degūs - saugokite nuo ugnies. Nepilkite degalų į veikiančią įrenginį.



Pjaudami žolę, dėvėkite apsauginius akinius ir ausų kištukus.



Atlikdami remonto darbus, ištraukite uždegimo žvakę ir taisykite įrenginį, kaip nurodyta naudojimo instrukcijoje.



Perspėjimas: Variklis labai įkaista.



Norėdami išjunkite variklį, atleiskite jungiklio rankeną.



## 2. BENDROSIOS SAUGOS TAISYKLĖS



**ĮSPĖJIMAS:** Naudodami benzininius įrankius, visuomet laikykitės būtinų saugos priemonių, įskaitant toliau nurodytas, kad sumažintumėte sunkaus susižeidimo ir (arba) žalos įrenginiui pavojų. Prieš pradėdami naudoti šį gaminį, perskaitykite visą instrukciją ir išsaugokite ją, kad galėtumėte ją pasinaudoti vėliau.



**ĮSPĖJIMAS:** Šis įrenginys darbo metu sukuria elektromagnetinį lauką. Esant tam tikroms sąlygoms, šis laukas gali sutrikdyti aktyvių arba pasyvių medicininį implantų darbą. Norint sumažinti sunkių arba mirtinų sužeidimų pavojų, rekomenduojame, kad asmenys, turintys medicininį implantą, prieš pradėdami naudoti šį įrenginį, pasitartų su savo fizioterapeutais ir medicininį implantų gamintojais.

### Mokymas

- Atidžiai perskaitykite instrukciją. Nuodugniai susipažinkite su valdikliais ir kaip tinkamai naudoti šį įrenginį. Sužinokite, kaip greitai išjungti variklį.
- Naudokite žoliapjovę tik pagal jos numatytą naudojimo paskirtį, t. y. žolei pjauti ir surinkti. Naudojant ją bet kokiems kitiems tikslams, gali kilti pavojų arba gali būti sugadinta pati mašina. Netinkamo naudojimo pavojazdžiai, įskaitant, tačiau vien jais neapsiribojant:
  - vežti mašina žmones, vaikus ar gyvūnus;
  - patiems būti vežamiems mašina;
  - naudoti mašiną kroviniams vilkti arba stumti;
  - naudoti mašiną lapams ar šukšlėms surinkti;
  - naudoti mašiną gyvatvorėms genėti arba kitokiai augmenijai nei žolė pjauti;
  - naudoti mašiną keliems žmonėms;
  - naudoti peilį ant kitokių nei žolė pavaršių.
- Niekuomet neleiskite, kad šią žoliapjovę naudotų vaikai arba su šia instrukcija nesusipažinę žmonės. Operatoriaus amžius gali būti reglamentuojamas vietinių įstatymų.
- Niekada nenaudokite žoliapjovės:
  - jei netoliese yra žmonių, ypač vaikų ar naminių gyvūnų;
  - jei operatorius pavartojo vaistų ar narkotinių medžiagų, kurios gali paveikti jo gebėjimą reaguoti ir susikaupti.
- Prisiminkite, kad operatorius yra atsakingas už nelaimingus atsitikimus ar nelaimes, atsitikusias kitiems žmonėms arba jų turtui padarytą žalą.
- Operatorius turi būti tinkamai parengtas naudoti, reguliuoti ir valdyti įrenginį, įskaitant draudžiamas operacijas.

### Paruošimas

- Pjaudami visuomet avėkite tvirtą avalynę ir dėvėkite ilgas kelnes. Neeksploatuokite įrangos basomis ar avėdami atvirus sandalus.

- Kruopščiai apžiūrėkite vietą, kurioje naudosite įrenginį, ir pašalinkite visus daiktus, pvz., akmenis, žaislus, šakas ar vielas, kuriuos įrenginys galėtų išsviesti.
- ĮSPĖJIMAS- Benzinas yra nepaprastai degus.
  - laikykite benzinaž talpose, skirtose specialiai šiam tikslui;
  - degalus į baką pilkite tik lauke ir, pildami degalus, nerūkykite;
  - degalų pilkite prieš užvesdami variklį. Niekuomet neatsukite degalų bako dangtelio ir nepilkite degalų, kai variklis veikia arba kai variklis yra įkaitęs;
  - išsiplius degalams, nebandykite užvesti variklio, tik patraukite mašiną šalin nuo degalų išsiliejimo vietos ir venkite sukurti kokį nors uždegimo šaltinį, kol degalų garai neišsisklaidys;
  - saugiai užsukite visus degalų bako ir talpyklų dangtelius.
- Pakeiskite sugedusius slopintuvus.
- Prieš pradėdami naudoti vejąpovę, visuomet apžiūrėkite ir patikrinkite, ar nesusidėvėję ar neapgadinti peiliai, peilių varžtai ir pjoviklio mechanizmas. Pakeiskite visus peilių ir varžtų kompleksus, ne tik susidėvėjusius ar apgadintus peilius ir varžtus, kad būtų išlaikyta pusiausvra.
- Reguliariai tikrinkite ir užtikrinkite, kad visos paleidimo blokuotės ir operatoriaus buvimo valdymo elementai veiktų tinkamai.

### Veikimas

- Nejunkite variklio uždaroje patalpoje, kuriose gali susikaupti pavojingų anglies viendeginio dujų.
- Nedirbkite įrenginiu, jei esate pavargę, sergate arba pavartojote alkoholio ar medikamentų.
- Įspėjimas! Nedirbkite vejąpovje, jei kyla žaibo pavojus.
- Siekiant maksimaliai sumažinti triukšmo ir vibracijos keliamą pavojų, rekomenduojama roboti darbo trukmę.
- Dirbdami vejąpovje šlaituose ir netoli staigių nuolydžių, griovių ar pylimų, būkite atsargūs.
- Žolę pjaukite tik dienos metu arba esant geram dirbtiniam apšvietimui.
- Jei įmanoma, venkite pjauti šlapią žolę.
- Dirbdami nuokalnėse, visada tvirtai stovėkite ant žemės.
- Vaikščiokite, o ne bėgiokite.
- Naudodami ratines rotacines mašinas, pjaukite žolę skersai nuokalnių; niekada nepjaukite aukštyn-žemyn.
- Keisdami kryptis nuokalnėse, būkite itin atsargūs.
- Nepjaukite žolės pernelgy stačiose nuokalnėse.
- Būkite itin atsargūs važiuodami atbuline eiga arba traukdami žoliapjovę link savęs.
- Sustabdykite peilį(-ius), jeigu žoliapjovę reikia paversti, kad ją galima būtų perkelti per žolę neapaugusius paviršius, ir gabenant žoliapjovę iš ir į žolės pjovimo vietą.
- Niekada neeksploatuokite žoliapjovės su pazeistais apsauginiais skydais arba be tinkamai sumontuotų saugos įtaisų, pavyzdžiui, kreiptuvų ir (arba) žolės gaudyklių.
- Perspėjimas: vejąpovės negalima eksploatuoti be sumontuotos žolės gaudyklės arba užsidarančios išleidimo angos apsaugos.
- Nekeiskite jokio užplombuoto variklio apsakų valdymo elemento nuostatų ir nelįskite prie jų.

- Negalima lįsti prie veļapjovės saugos sistemų ar funkcijų ir jų išjunginėti.
- Nekeiskite variklio kontrolės regulatoriaus nustatymų ir nevirsųykite variklio apsuų.
- Prieš užvesdami variklį, atjunkite visus peilius ir pavarų sankabas.
- Atsargiai užveskite variklį, kaip nurodyta instrukcijoje; pėdos turi būti pakankamu atstumu nuo peilio (-ių).
- Užvesdami variklį, nepaverskite ŗoliapjovės.
- Neužveskite variklio stovėdami priešais išmetimo lataų.
- Nekiškite rankų ar kojų artyn prie besisukančių dalių arba po jomis. Visada stovėkite atokiai nuo sniego išmetimo angos.
- Niekada nekelkite ir neneškite ŗoliapjovės, kai variklis veikia.
- Išjunkite variklį ir atjunkite uždegimo ŗvakės laidą; palaukite, kol visos judamosios dalys visiškai sustos ir, jei įkištas užvedimo raktelis, ištraukite jį:
  - prieš pradėdami valyti užsikimšimus ar prieš atkimšdami išmetimo lataų;
  - prieš atlikdami ŗoliapjovės patikrą, valymo arba remonto darbus;
  - atsitrenųę į koų nors daiktą. Prieš vėl užvesdami ir naudodami veļapjovę, patikrinkite, ar nėra gedimų, ir, jeigu reikia, pataisykite;
  - jeigu ŗoliapjovė pradeda neįprastai vibruoti (patikrinkite nedelsdami).
- Išjunkite variklį ir atjunkite uždegimo ŗvakės laidą; palaukite, kol visos judamosios dalys visiškai sustos ir, jei įkištas užvedimo raktelis, ištraukite jį:
  - jei tik paliekate ŗoliapjovę be prieŗiūros;
  - prieš pripildami degalų.
- Sumažinkite droselinės sklendės atidarymo nustatymą variklio išilimo metu, jei variklyje yra įrengtas išjungimo voŗtuvas; pabaigę pjauti ŗolę, išjunkite degalų padavimą.
- Naudokite veļapjovę tik pagal paskirtį - ŗolei pjauti ir surinkti. Naudojant ją bet kokiems kitiems tikslams, gali kilti pavojų arba gali būti sugadinta pati mašina.
- Prieš sandėliuodami įrenginį uŗdaroje patalpoje, leiskite varikliui atvėsti. Prieš sandėliuodami nuvalykite veļapjovę ir atlikite jos techninės prieŗiūros darbus.
- Norint sumažinti gaisro pavojų, ŗoliapjovės variklyje, duslintuve, akumuliatoriaus bloke ir benzino saugojimo vietoje neturi būti ŗolės, lapų ar pernelyg daug tepalo.
- Daŗnai tikrinkite ŗolės gaudyklę, ar ji nesusidėvėjusi ir ar tinkamai veikia.
- Saugos sumetimais, pakeiskite susidėvėjusias ar apgadintas dalis.
- Jeigu reikia ištuštinti degalų baką, tai reikia daryti lauke.
- Netinkamai prieŗiūrint įrenginį, naudojant nederančias atsargines dalis, nuėmus ar modifikavus saugos komponentus, galima apgadinti veļapjovę, o operatoriui – rimtai susiŗzoti.
- Naudokite tik gamintojo rekomenduojamus peilius ir atsargines dalis. Jei naudosite neoriginalias dalis, galite apgadinti įrenginį ir dirbdami susiŗzoti. Pasirūpinkite, kad veļapjovė būtų geros darbinės būklės.
- Jei neveikia peilio stabdymo įtaisas, kreipkitės pagalbos į techninės prieŗiūros centrą.

### Veŗimas ir neŗimas

- Jeigu mašiną reikia neŗti, kelti, veŗti arba paversti, privalote:
  - mūvēti tvirtas darbo pirštines;
  - suimti mašiną už kėlimui saugių vietų, atsiŗvelgiant į svorį ir jo paskirstymą;
  - kelti keliese, o ne vieni patys, atsiŗvelgdami į mašinos svorį ir transporto priemonės techninius duomenis arba vietą, kurioje ji turi būti pastatyta arba iš kurios ji turi būti paimta.
- Veŗant mašiną, ją reikia tvirtai pritvirtinti virvėmis arba grandinėmis.



**ĮSPĖJIMAS:** Nelieskite besisukančio peilio.



**ĮSPĖJIMAS:** Pilkite degalus gerai vėdinamoje vietoje, išjungę variklį.

## 3. DALIŲ APRAŠYMAS (1 ir 2 pav.)

### Įskaitant

A: Uždegimo ŗvakės verŗliaraktis

B: Mulčavimo pleištas

## Techninė prieŗiūra ir įrenginio saugojimas

- Visos verŗlės, varžtai ir sraigtai turi būti tvirtai prisukti, kad būtų užtikrintos saugios įrenginio darbo sąlygos.
- Niekuomet nelaikykite įrenginio, kurio bake yra benzino, patalpoje, kur degalų garai galėtų pasiekti atvirą liepsną ar kibirkštį.

## 4. TECHNINIAI DUOMENYS

Modelis	PLM4120N	PLM4620N
Variklio tipas	B&S 500E Serija	B&S 625E Serija
Savaeigis	Ne	Ne
Variklio tūris	140 cm <sup>3</sup>	190 cm <sup>3</sup>
Nominalioji galia	1,9 kW	2,4 kW
Peilio plotis	410 mm	460 mm
Tuŗčioji eiga	2 800/min	2 800 /min
Degalų bako talpa	0,8 l	1,0 l

Modelis	PLM4120N	PLM4620N
Alyvos bako talpa	0,47 l	0,6 l
Žolės gaudyklės maišo talpa	50 l	60 l
Grynasis svoris	26,0 kg	31,1 kg
Aukščio reguliavimas	25 – 70 mm, 5 nustatymai	25 – 70 mm, 5 nustatymai
Garantuojamasis garso slėgio lygis operatoriaus buvimo vietoje (pagal EN ISO 5395-1, F priedą ir EN ISO 5395-2, EN ISO 4871)	84,6dB(A) (K=3dB(A))	83,5dB(A) (K=3dB(A))
Išmatuotasis garso galios lygis	93,4dB(A) K=1,93dB(A)	93,6dB(A) K=2,47dB(A)
Garantuojamasis garso galios lygis (pagal 2000/14/EB)	96dB(A)	96dB(A)
Vibracija (pagal EN ISO 5395-1, G priedą ir EN ISO 5395-2)	5,27 m/s <sup>2</sup> K=1,5m/s <sup>2</sup>	5,738 m/s <sup>2</sup> K=1,5m/s <sup>2</sup>

## 5. SURINKIMAS

### 5-1 SUDEDAMOS RANKENOS SURINKIMAS

- Dviem varžtų, poveržlių ir fiksavimo rankenėlių komplektais pritvirtinkite apatinės rankenas prie įrenginio korpuso kaip parodyta. **(3 pav., 4 pav., 5 pav., 6 pav.)**
- Norėdami sudėti rankeną, atlaisvinkite viršutinius rankenų strypus. Sujunkite viršutinę ir apatinę rankenas, naudodami du varžtų, poveržlių ir fiksavimo rankenėlių komplektus. **(7 pav., 8 pav., 9 pav.)**
- Nutieskite visus kabelius virš rankenų ašiu. Pritvirtinkite juos kabelio spaustuku ties apatinių rankenų viduriu, kad kabeliai būtų užfiksuoti išorinėje mašinos dalyje. Kitaip kabeliai gali būti prispausti atidarant/uždarant galinį gaubtą, arba nutraukti sulenkiant viršutinę rankeną. **(10 pav.)**

### 5-2 ŽOLĖS GAUDYKLĖS SURINKIMAS

- Norėdami pritvirtinti: pakelkite galinį gaubtą ir prikabininkite žolės gaudyklę prie žoliapjovės galo ašies. **(11 pav., 12 pav.)**
- Norėdami nuimti: suimkite ir pakelkite galinį gaubtą, nuimkite žolės gaudyklę.

### 5-3 STARTERIO RANKENA

Patraukite starterio rankeną nuo variklio link tros kreiptuvo. **(13 pav., 14 pav.)**

### 5-4 PJOVIMO AUKŠTIS

Patraukite išorėn, kad atkabintumėte svirtį nuo krumpļiastiebio. Stumkite svirtį pirmyn arba atgal, kad nustatytumėte aukštį. **(15 pav. ir žr. 8-8 punktą)**

## 6. TINKAMO AUKŠČIO NUSTATYMAS

- Atlaisvinkite fiksavimo rankenėlę, tvirtinančią apatinę rankeną. **(16 pav.)**
- Žr. **17 pav.**; stumkite apatinę rankeną aukštyn arba žemyn, kad nustatytumėte ją tinkamame aukštyje. Šio tipo žoliapjovėje yra 3 aukščio nustatymo padėty; pasirinkus 1 aukščio nuostatą, apatinė rankena bus

nustatyta aukščiausiai žemės paviršiaus atžvilgiu, o pasirinktus 3 aukščio nuostatą – žemiausiai.

- Nustatykite tinkamą aukštį, tuomet užfiksuokite apatinę rankeną fiksavimo rankenėlėmis.



**ĮSPĖJIMAS:** Kairė ir dešinė apatinės rankenos pusės turi būti nustatytos vienodame aukštyje.

## 7. „DU VIENAME“

Šias žoliapjovės galima modifikuoti, įprastą funkciją pakeičiant pagal reikiamą naudojimo paskirtį: iš žoliapjovės su žolės išmetimu pro galą į mulčiavimo žoliapjovę, ir atvirkščiai.

Kas yra mulčiavimas?

Mulčiuojant, žolė nupjaunama vieno darbo erapo metu, tuomet sukopojama ir išmetama ant nupjauto žolės ruožo kaip natūralios trąšos.

Patarimai dėl mulčiavimo:

- Reguliariai pjaukite žolę, pasirinkdami vis priešingą judėjimo kryptį, maks. 2 cm, kai žolė yra 6 cm–4 cm aukščio.
- Naudokite aštrų pjovimo peilį.
- Nepjaukite šlapios žolės.
- Nustatykite maks. variklio apsakas.
- Judėkite tik darbui tinkamu tempu.
- Reguliariai valykite mulčiavimo pleištą, korpuso vidų ir pjovimo peilį.

## VIENAS: Modifikavimas į mulčiavimo žoliapjovę



**ĮSPĖJIMAS:** tik išjungus variklį ir sustojus pjovimo mechanizmui.

- Pakelkite galinį gaubtą ir nuimkite žolės gaudyklę.
- Įstumkite mulčiavimo pleištą į dugną. Užfiksuokite mulčiavimo pleištą, įstūmę mygtuką į dugne esančią angą. **(18 pav., 19 pav.)**
- Vėl nuleiskite galinį gaubtą.

## DU: Žolės pjovimas naudojant žolės gaudyklę

1. Norėdami pjauti žolę naudodami žolės gaudyklę, išimkite mulčiavimo pleišta ir sumontuokite žolės gaudyklę.
  2. Mulčiavimo pleišto išėmimas.
- Pakelkite galinį gaubtą ir išimkite mulčiavimo pleišta.



**ISPĖJIMAS:** Tik išjungus variklį ir sustojus pjovimo mechanizmui.

## 8. EKSPLOATACIJOS NURODYMAI

### 8-1 PRIEŠ PRADEDANT DARBĄ

Atlikite variklio, kuriame yra benzino ir alyvos, remonto darbus, kaip nurodyta atskiroje variklio naudojimo instrukcijoje, pateiktoje su šia žoliapjove. Atidžiai perskaitykite instrukciją.



**ISPĖJIMAS:** Benzinas yra nepaprastai degus. Laikykite benzina talpose, skirtose specialiai šiam tikslui. Pilkite degalus tik lauke, prieš užvesdami variklį ir, pildami degalus arba juos tvarkydami, nerūkykite.

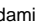
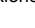
Niekuomet neatsukite degalų bako dangtelio ir nepilkite degalų, kai variklis veikia arba kai variklis yra įkaitęs. Išsipylus degalams, nbandykite užvesti variklio, tik patraukite mašinos šalin nuo degalų išsiliejimo vietas ir venkite sukurti kokį nors uždegimo šaltinį, kol degalų garai neišsisklaidys.

Saugiai užsukite visus degalų bako ir talpyklų dangtelius. Prieš paversdami žoliapjovę, norėdami atlikti peilio techninę priežiūrą arba išleisti alyvą, išleiskite degalus iš bako.



**ISPĖJIMAS:** Niekada nepildykite bako patalpose, varikliui veikiant, arba po naudojimo nepalaukę 15 minučių, kol variklis atvės.

### 8-2 VARIKLIO UVEDIMAS IR PEILIO JUNGIMAS

1. Įrenginyje ant uždegimo žvakės galo uždėta guminė mova; būtinai įsitikinkite, kad uždegimo žvakės laido gale esanti metalinė kilpelė (guminės movos viduje) būtų saugiai uždėta ant uždegimo žvakės metalinio galiuko.
2. Prieš užvesdami variklį, 3–5 kartus paspauskite degalų tiekimo įrenginį. **(20 pav.)**
3. Užvesdami šaltą variklį, nustatykite droselinės sklendės svirtį į padėtį „“. Užvesdami ir naudodami šiltą variklį, nustatykite droselinės sklendės svirtį į padėtį „“. **(21 pav.)**
4. Atsisoję už įrenginio, suimkite už sustabdymo valdymo rankenos ir laikykite ją priešais viršutinę rankeną, kaip parodyta **22 pav.**
5. Paimkite už starterio rankenos, kaip parodyta **22 pav.** ir ištraukite ją staigiu judesiu. Varikliui užsivedus, lėtai sugrąžinkite ir užfiksukite ją ant trosu kreiptuvo varžto. Norėdami išjungite variklį ir peilį, atleiskite sustabdymo valdymo rankeną.



Atsargiai užveskite variklį, kaip nurodyta instrukcijoje; pėdos turi būti pakankamu atstumu nuo peilio.



Užvesdami variklį, nepaverskite žoliapjovės. Užveskite žoliapjovę ant lygaus paviršiaus, kur nėra žolės ar kokių nors kliūčių.



Laikykite pėdas ir rankas atokiai nuo besisukančių dalių. Neužveskite variklio stovėdami priešais išmetimo latako angą.

### 8-3 NAUDOJIMO TVARKA

Dirbdami, tvirtai laikykite sustabdymo valdymo rankeną abejomis rankomis.



**Pastaba:** Darbo metu atleidus sustabdymo valdymo rankeną, variklis bus išjungtas ir todėl žoliapjovė neveiks.



**ISPĖJIMAS!** Siekiant išvengti vejąplovės atsitiktinio pajudėjimo, joje sumontuotas variklio stabdys: prieš užvedant variklį jo rankeną būtina patraukti atgal. Atleidus variklio valdymo svirtį, ji turi grįžti į pradinę padėtį, kurioje variklis automatiškai išsijungia.



**Pastaba:** Variklio stabdys (stabdžio rankena): naudodamiesi svirtimi, išjunkite variklį. Atleidus svirtį, variklis ir peilis automatiškai sustoja. Kad galėtumėte pjauti veją, laikykite svirtį darbinėje padėtyje. Prieš pradėdami pjauti veją, keliskart patikrinkite paleidimo / stabdymo svirtį, kad įsitikintumėte, jog ji tinkamai veikia. Užtikrinkite, kad įtempimo trosas judėtų sklandžiai (t. y. niekaip nestrigtų ir nesusisuktų).

### 8-4 VARIKLIO IŠJUNGIMAS



**PERSPĖJIMAS:** Išjungus variklį, peilis dar kelias sekundes sukasi.



1. Norėdami išjungite variklį ir peilį, atleiskite sustabdymo valdymo rankeną.
2. Atjunkite ir įžeminkite uždegimo žvakės laidą, kaip nurodyta atskiroje variklio naudojimo instrukcijoje, kad išvengtumėte atsitiktinio užvedimo palikus įrenginį be priežiūros.

### 8-5 KĄ DARYTI, KAD ŽOLĖ BŪTŲ PJAUNAMA GERIAUSIAI

Surinkite nuo vejos šiukšles. Įsitikinkite, ar ant vejos nėra akmenų, pagalių, laidų ar kitų pašalinųjų daiktų, kuriuos žoliapjovė gali netyčia pagriebti bei sviesti bet kuria kryptimi ir sukelti sunkių operatoriaus ar kitų asmenų sužeidimų bei padaryti žalos turtui ir aplinkiniams objektams. Nepaaukite šlapios žolės. Norėdami, kad žolė būtų pjaunama veiksmingai, nepaaukite šlapios žolės, nes ji prilimpa prie dugno apačios ir susmulkinta žolė pjaunama netinkamai. Pjaukite ne daugiau nei 1/3 žolės ilgio.

Rekomenduojamas žolės pjovimo aukštis – 1/3 žolės ilgio. Reikia pasirinkti tinkamą važiavimo greitį, kad

susmulkinta žolė būtų tolygiai paskeidžiama po veją. Esant itin sudėtingoms pjovimo sąlygoms ir tankiai žolei, norint gražiai nupjauti žolę, gali tekti pasirinkti mažiausią važiavimo greitį. Pjaunant aukštą žolę, veją gali tekti pjauti per du kartus, antro pjovimo metu nuleidžiant peilį dar 1/3 aukščio, ir, galbūt, pjauti priešinga pirmam pjovimui kryptimi.

Užgriebiant šiek tiek nupjauto ruožo, taip pat galima švariau nupjauti bet kokius likusius nenupjautos vejos kuokštėlius. Norint geriausiai nupjauti žolę, žoliapjovę visuomet reikia naudoti nustačius maksimalias variklio apskukas. Nuvalykite dugno apačią.

Po kiekvieno apnaudojimo būtinai nuvalykite pjovimo dugno apačią, kad ant jo nesusikauptų žolė, kuri neleis tinkamai atlikti mulčiavimo.

Lapų mulčiavimas: Veja gali būti tręšiama mulčiuojant ir lapus. Mulčiuodami lapus, įsitikinkite, kad jie yra sausi ir nesukritę ant vejos pernelyg storu sluoksniu. Norėdami mulčiuoti, nelaukite, kol nuo medžių nukris visi lapai.



**ISPĖJIMAS:** Atsitraukite į kokią nors pašalinį daiktą, išjunkite variklį. Ištraukite uždegimo žvakę, kruopščiai patikrinkite žoliapjovę, ar nėra pažeidimų, ir, jei reikia, pataisykite juos prieš vėl užvesdami ir naudodami žoliapjovę. Pernelyg stipri žoliapjovės vibracija darbo metu rodo gedimą. Įrenginį reikia skubiai patikrinti ir pataisyti.

## 8-6 ŽOLĖS GAUDYKLĖ

Ištuštinkite ir išvalykite maišą; patikrinkite, ar jis švarus ir ar neužkimštas tinklėlis. **(23 pav.)**

## 8-7 DUGNAS

Po kiekvieno panaudojimo privaloma nuvalyti žoliapjovę dugno apačią, kad ant jos nesikauptų susmulkinta žolė, lapai, purvas ar kitos medžiagos. Jeigu ant dugno susikaups purvo, jis sąlygos rūdžių atsiradimą ir koroziją; be to, jis trukdys tinkamai atlikti mulčiavimą. Dugną galima nuvalyti pakreipus žoliapjovę ir nugarandžius apačią tinkamu įrankiu (tuo metu uždegimo žvakė būtinai turi būti atjungta).

## 8-8 NURODYMAI, KAIP NUSTATYTI PJOVIMO AUKŠTĮ



**PERSPĖJIMAS:** Niekada nedarykite jokių žoliapjovės reguliavimo darbų pirma neišjungę variklio ir neatjungę uždegimo žvakės laido.



**PERSPĖJIMAS:** Prieš keisdami žolės pjovimo aukštį, išjunkite žoliapjovę ir atjunkite uždegimo žvakės laidą. Šioje žoliapjovėje įrengta centrinė aukščio reguliavimo svirtis, kurią galima nustatyti 5 aukščio padėtyse.

1. Prieš keisdami žolės pjovimo aukštį, išjunkite žoliapjovę ir atjunkite uždegimo žvakės laidą.
2. Centrinė aukščio reguliavimo svirtį galima nustatyti 5 skirtingose aukščio padėtyse.
3. Norėdami pakeisti pjovimo aukštį, patraukite reguliavimo svirtį link rato ir pakelkite arba nuleiskite

svirtį, kad pasirinktumėte norimą aukštį **(24 pav.)**. Visi ratai privalo būti sumontuoti tame pačiame aukštyje.

## 9. TECHNINĖS PRIEŽIŪROS INSTRUKCIJA

### UŽDEGIMO ŽVAKĖ

Pakeitimui naudokite tik originalią uždegimo žvakę. Norėdami užtikrinti geriausią darbą, keiskite uždegimo žvakę kas 100 darbo valandų. (žr. VARIKLIO NAUDOJIMO INSTRUKCIJĄ)

### STABDŽIŲ TRINKELĖS

Pas techninės priežiūros agentą reguliariai tikrinkite ir (arba) keiskite variklio stabdžių trinkeles. Keitimui galima naudoti tik originalias dalis.

## 10. TEPIMO INSTRUKCIJA



**PERSPĖJIMAS:** ATJUNKITE UŽDEGIMO ŽVAKĘ, PRIEŠ ATLIKdami TECHNINĖS PRIEŽIŪROS DARBUS.

1. RATAI-Patepkite kiekvieno rato rutulinius guolius neklampia alyva bent kartą per sezoną.
2. VARIKLIS-Vadovaukitės variklio naudojimo instrukcija, kaip atlikti variklio tepimą.
3. SUSTABDYMO VALDIKLIS-Patepkite sukamuosius sustabdymo valdiklio rankenos taškus ir jo kabelį neklampia alyva bent kartą per sezoną. Sustabdymo valdiklį turi būti lengva pasukti abejomis kryptimis.

## 11. VALYMAS



**PERSPĖJIMAS:** Neplaukite variklio vadens žarna. Vanduo gali pažeisti variklį arba užteršti degalų sistemą.

1. Nušluostykite dugną sausu skudurėliu.
2. Nuplaukite dugną, pakreipę žoliapjovę taip, kad uždegimo žvakė būtų viršuje.

### 11-1 VARIKLIO ORO FILTRAS



**PERSPĖJIMAS:** Neleiskite, kad purvas ar dulks užkimštų oro filtro porolonių elementą.

Variklio oro filtro elementą reikia techniškai prižiūrėti (išvalyti) kas 25 darbo valandas. Jeigu žoliapjovę naudojama esant sauso oro sąlygoms, kuomet kyla daug dulkių, porolonių elementą reikia valyti reguliariai. (žr. VARIKLIO NAUDOJIMO INSTRUKCIJĄ)

### NORĖDAMI IŠVALYTI ORO FILTRĄ

1. Modeliui PLM4120N: pakelkite filtro dangčio viršuje esančias ašeles. Modeliui PLM4620N: atsukite varžtą.
2. Nuimkite dangtį.
3. Išplaukite filtro elementą miuotuame vandenyje. **NEAUDOKITE BENZINO!**
4. Palaukite, kol oro filtro elementas išdžius.

5. Užlašinkite ant poroloninio filtro kelis lašus alyvos SAE30; stipriai suspauskite jį, kad pašalintumėte alyvos perteklių.
6. Vėl sumontuokite filtrą.
7. Uždarykite filtro dangtį.



**PASTABA:** Jeigu filtras nusidėvėjęs, suplėšytas arba jo neįmanoma išvalyti, pakeiskite jį nauju. **(25 pav. modeliui PLM4120N)**

## 11-2 PJOVIMO PEILIS



**PERSPĖJIMAS:** Būtinai atjunkite ir įžeminkite uždegimo žvakės laidą, prieš taisydami pjovimo peilį, kad variklis nebūtų atsitiktinai užvestas. Norėdami suimti peilius, būtinai dėvėkite pirštines arba naudokite skudurėlį. Paverskite žoliapjovę, kaip nurodyta atskiroje variklio naudojimo instrukcijoje. Nuimkite šešiakampį varžtą ir poveržę, tvirtinančius peilį ir peilio adapterį ant variklio alkūninio veleno. Nuimkite peilį ir jo adapterį nuo alkūninio veleno.



**ISPĖJIMAS:** Reguliariai tikrinkite peilio adapterį, ar jis neįskilęs, ypač atsitrenkę į kokią nors pašalinį daiktą. Jei reikia, pakeiskite jį.

Norint pasiekti geriausių rezultatų, peilis turi būti aštrus. Peilį galima nuimti ir pagalšti jį šlifavimo staklėmis arba dilde, kiek įmanoma išlaikant originalų ašmenų nuožambio kampą. Labai svarbu, kad kiekvienas peilio pjovimo kraštas būtų nugalastas vienodai, kad peilis nebūtų išbalansuotas. Netinkamas peilio balansavimas sukels pernelyg didelę vibraciją, kuri sugadins variklį ir žoliapjovę. Pagalandę, būtinai tinkamai subalansuokite peilį. Peilio balansą galima patikrinti užmovus jį ant apvalaus atsuktuvo galo. Galąskite sunkesnią peilio pusę tol, kol peilis bus tinkamai subalansuotas. **(26 pav.)** Prieš vėl sumontuodami peilį ir jo adapterį ant įrenginio, patepkite variklio alkūninį veleną ir vidinį peilio adapterio paviršių neklampia alyva. Sumontuokite peilio adapterį ant alkūninio veleno. Žr. **26 pav.** Užmaukite peilį taip, kad jo dalies numeris nebūtų nukreiptas į adapterį. Uždėkite ant peilio poveržę ir įkiškite šešiakampį varžtą. Priveržkite šešiakampį varžtą, naudodami toliau nurodytą sukimo momentą.

## 11-3 SUKIMO MOMENTAS MONTUOJANT PEILĮ

Centrinis varžtas turi būti priveržtas naudojant 35–45 Nm jėgos sukimo momentą, kad būtų užtikrintas saugus įrenginio darbas. Būtina reguliariai tikrinti VISAS varžles ir varžtus, ar jie tinkamai priveržti. Ilgai naudojant įrenginį, ypač smėlėtose vietovėse, peilis nusidėvi ir praranda savo originalią formą. Todėl pjovimo veiksmingumas sumažėja ir peilį reikia pakeisti.

Pakeiskite seną peilį tik patvirtintu, originaliu peiliu. Gamintojas neatsako už žalą, patirtą naudojant nesubalansuotą peilį.

Keisdami peilį, privalote naudoti originalų peilį (MAKITA 263001433 modeliui PLM4120N; MAKITA 263001451

modeliui PLM4620N) (norėdami užsakyti peilį, kreipkitės į vietos atstovą arba skambinkite [ mūsų bendrove])



**ISPĖJIMAS:** Nelieskite besisukančio peilio.

## 11-4 VARIKLIS

Variklio techninės priežiūros instrukciją žr. atskirtą variklio naudojimo instrukciją. Tikrinkite variklio alyvą, kaip nurodyta atskiroje variklio naudojimo instrukcijoje, pateiktoje su šia žoliapjove. Atidžiai perskaitykite ir vadovaukitės instrukcija. Esant įprastoms darbo sąlygoms, valykite oro filtrą, kaip nurodyta atskiroje variklio naudojimo instrukcijoje. Kylant nepaprastai daug dulkių, valykite filtrą kas kelias darbo valandas. Prastas variklio veikimas ir užliejimas paprastai reiškia, kad reikia išvalyti oro filtrą. Norėdami išvalyti oro filtrą, žr. atskirtą variklio naudojimo instrukciją, pateiktą kartu su šiuo įrenginiu. Kartą per sezoną reikia nuvalyti uždegimo žvakę ir pareguliuoti tarpelį tarp žvakės ir kontakto. Sezono pradžioje rekomenduojama pakeisti uždegimo žvakę; žr. variklio naudojimo instrukciją, kurioje nurodyti techniniai duomenys apie tinkamą uždegimo žvakės tipą ir tarpelį. Reguliariai nuvalykite variklį skuduru arba šepetėliu. Aušinimo sistema (ventiliatoriaus korpuso sritis) turi būti švari, kad būtų užtikrinta tinkama oro cirkuliacija, kuri yra būtina, kad variklis tinkamai veiktų ir ilgai tarnautų. Būtinai nuvalykite nuo dulintuvo žolę, purvą ir degias šiukšles.

## 12. SAUGOJIMO INSTRUKCIJA (NE SEZONO METU)

Norint paruošti žoliapjovę saugojimui, reikia atlikti šiuos veiksmus:

1. Sezoniui pasibaigus, paskutinį kartą panaudoję įrenginį, ištuštinkite jo baką.
  - a) Ištraukite benzinį iš bako, naudodami siurbimo pompą.



**PERSPĖJIMAS:** Nebandykite tuštinti benzino bako uždaroje patalpoje, šalia ugnies ir pan. Nerūkykite! Benzino garai gali sukelti sprogimą arba gaisrą.

- b) Užveskite variklį ir palikite jį veikti tol, kol bus išseiktas visas likęs benzinas ir variklis užges.
- c) Išsukite uždegimo žvakę. Į degimo kamerą įpilkite maždaug 20 ml alyvos. Kelis kartus patraukite už starterio rankenos, kad alyva tolygiai pasiskirstytų degimo kameroje. Pakeiskite uždegimo žvakę.
2. Kruopščiai nuvalykite ir patepkite žoliapjovę, kaip aprašyta pirmiau esančiame skyriuje „TEPIMO INSTRUKCIJA“.
3. Šiek tiek patepkite pjoviklį, kad jis nesurūdytų.
4. Žoliapjovę laikykite sausoje, švarioje, nuo šalčio apsaugotoje, rakinamoje patalpoje.



**PERSPĖJIMAS:** Prieš pastatant žoliapjovę į vietą, jį privalo būti visiškai atvėsusi.

**PASTABA:**

Laikant bet kokį elektrinį įrenginį nevedinamoje patalpoje arba medžiagų sandėlyje;

- Reikia pasirūpinti, kad įrenginys būtų apsaugotas nuo korozijos. Patepkite įrenginį, ypač kabelius ir visas judamąsias dalis neklampia alyva arba silikonu.
- Būkite atsargūs, kad nesulenktumėte arba nesuraizgytumėte laidų.
- Jeigu starterio lynas atsikabintų nuo trosu kreiptuvo, esančio ant rankenos, atjunkite ir įžeminkite uždegimo

žvakės laidą, nuspauskite peilio valdymo rankeną ir lėtai ištraukite starterio trosą iš variklio. Užmaukite starterio trosą ant trosu kreiptuvo varžto, esančio ant rankenos.

**Transportavimas**

Išjunkite variklį ir palaukite, kol jis atvės. Tada atjunkite uždegimo žvakės laidą ir ištuštinkite degalų baką pagal variklio vadove pateikiamas instrukcijas. Stumdami vejpajovę per kliūtis, būkite atsargūs, kad nesulankstytumėte ir nepažeistumėte peilio.

**13. GEDIMŲ ŠALINIMAS**

PROBLEMA	GALIMA PRIEŽASTIS	ATITAIŠYMAS
Variklis neužsiveda.	Netinkamas droselinės sklendės nustatymas pagal esamas darbo sąlygas.	Nustatykite droselinę sklendę į tinkamą padėtį.
	Tuščias degalų bakas.	Pripilkite baką degalų: žr. VARIKLIO NAUDOJIMO INSTRUKCIJĄ.
	Nešvarus oro filtro elementas.	Išvalykite oro filtro elementą: žr. VARIKLIO NAUDOJIMO INSTRUKCIJĄ.
	Atsilaisvino uždegimo žvakę.	Priveržkite uždegimo žvakę, naudodami 25 - 30 Nm sukimo momentą.
	Atsilaisvimo arba nukrito uždegimo žvakės laidas.	Uždėkite uždegimo žvakės laidą ant uždegimo žvakės.
	Netinkamas uždegimo žvakės tarpelis.	Tarp elektrodų turi būti 0,7 - 0,8 mm tarpelis.
	Sudegė uždegimo žvakė.	Sumontuokite naują uždegimo žvakę, tinkamai nustatydami tarpelį tarp elektrodų: žr. VARIKLIO NAUDOJIMO INSTRUKCIJĄ.
	Karbiuratorius užpildytas degalais.	Išimkite oro filtro elementą ir be perstojo traukite už startelio trosu, kol karbiuratorius bus išvalytas, tuomet vėl sumontuokite oro filtro elementą.
	Sugedęs uždegimo modulis.	Kreipkitės į Makita įgaliotąjį techninės priežiūros centrą.
Sunku užvesti variklį arba variklis netenka galios.	Užterštas degalų bakas, bako yra vandens arba degalų nuosėdų.	Išleiskite iš bako degalus ir išvalykite baką. Į degalų baką pripilkite švarių degalų.
	Užsikimšo degalų bako dangtelyje esanti ventilacijos anga.	Išvalykite arba pakeiskite degalų bako dangtelį.
	Užsikimšęs oro filtro elementas.	Išvalykite oro filtro elementą.
Variklis veikia netvarkingai.	Sudegė degimo žvakė.	Sumontuokite naują uždegimo žvakę, tinkamai nustatydami tarpelį tarp elektrodų: žr. VARIKLIO NAUDOJIMO INSTRUKCIJĄ.
	Netinkamas uždegimo žvakės tarpelis.	Tarp elektrodų turi būti 0,7 - 0,8 mm tarpelis.
	Nešvarus oro filtro elementas.	Išvalykite oro filtro elementą: žr. VARIKLIO NAUDOJIMO INSTRUKCIJĄ.
Variklis prastai veikia be apkrovų.	Nešvarus oro filtro elementas.	Išvalykite oro filtro elementą: žr. VARIKLIO NAUDOJIMO INSTRUKCIJĄ.
	Užsikimšo variklio gaubte esančios ventilacijos angos.	Išvalykite angose susikaupusį purvą.
	Užsikimšo variklio aušinimo briaunos ir oro kanalai, esantys po variklio ventiliatoriaus korpusu.	Nuvalykite purvą nuo aušinimo briaunų ir išvalykite oro kanalų.
Esant didelėms apsvukoms, variklis netolygiai veikia.	Per mažas tarpelis tarp uždegimo žvakės elektrodų.	Tarp elektrodų turi būti 0,7 - 0,8 mm tarpelis.



Perkaista variklis.	Sutrikęs aušinimo oro srautas.	Išvalykite purvą iš gaubte esančių angų, nuo ventiliatoriaus korpuso, oro kanalų.
	Netinkama uždegimo žvakė.	PLM4120N atveju sumontuokite uždegimo žvakę RC12YC arba QC12YC ir aušinimo briaunas ant variklio. Modelyje PLM4620N sumontuokite uždegimo žvakę RJ19LMC ir aušinimo briaunas ant variklio.
Žoliapjovė neįprastai vibruoja.	Atsilaisvino pjovimo mechanizmas.	Priveržkite peilį.
	Nesubalansuotas pjovimo mechanizmas.	Subalansuokite peilį.

## 14. APLINKOSAUGA

Jeigu po ilgo naudojimo seną įrenginį reikėtų pakeisti nauju, neišmeskite jo kartu su būtinėmis atliekomis; nuvežkite jį į atitinkamą atliekų surinkimo ir perdirbimo punktą.

### Tik Europos šalims

#### EB Atitikties deklaracija

**„Makita“ deklaruoja, kad toliau nurodytas įrenginys (-iai):**

Mechanizmo paskirtis:

Benzininė žoliapjovė

Modelio Nr./ tipas: PLM4120N, PLM4620N

Techninės sąlygos: Žr. skyrių „4. TECHNINIAI

DUOMENYS“

#### atitinka šias Europos direktyvas:

2004/108/EB, 2006/42/EB, 2000/14/EB ir 2005/88/EB

Įrenginiai pagaminti laikantis toliau nurodytų standartų ar standartizuotų dokumentų:

EN ISO 5395-1, EN ISO 5395-2, EN ISO 14982

Techninę bylą pagal 2006/42/EB galima įsigyti šiuo adresu:

Makita, Jan-Baptist Vinkstraat 2, 3070, Belgija

Atitikties įvertinimo procedūra, būtina pagal Tarybos Direktyvą 2000/14/EB, atlikta atsižvelgiant į VI priedą.

Paskelbtoji įstaiga:

TÜV SÜD Industrie Service GmbH

Westendstrasse 199, D-80686 München,

Deutschland (Vokietija)

Identifikacijos numeris: 0036

PLM4120N

Nustatytas garso galios lygis: 93,4 dB

Garantuotas garso galios lygis: 96 dB

PLM4620N

Nustatytas garso galios lygis: 93,6 dB

Garantuotas garso galios lygis: 96 dB

22.8.2014



Yasushi Fukaya

Direktorius

Makita, Jan-Baptist Vinkstraat 2, 3070, Belgija



- |                           |                             |                       |
|---------------------------|-----------------------------|-----------------------|
| 1. Käepideme ülemine osa  | 6. Rohukoguja               | 11. Õli täiteava kork |
| 2. Turvapiduri hoob       | 7. Kõrguse reguleerimishoob | 12. Kaabliklamber     |
| 3. Seguklapi hoob         | 8. Korpus                   | 13. Lukustusnupp      |
| 4. Starteri nõõri käepide | 9. Süüteküünal              | 14. Suur kiirus       |
| 5. Starteri nõõri juhik   | 10. Kütusepaagi kork        | 15. Väike kiirus      |

**HOIATUS**

Lugege käesolev kasutusjuhend enda ohutuse tagamiseks enne niiduki kasutamist läbi. Juhiste eiramine võib põhjustada tõsise kehavigastuse. Iga kord, kui hakkate niidukit kasutama, kulutage kõigepealt mõned minutid sellega tutvumiseks. Hoidke see juhend kindlas kohas, et informatsioon oleks alati käepärast. Kui annate niiduki mõnele teisele inimesele, andke samuti kaasa need kasutusjuhised ja ohutuseeskirjad.

**Kasutusotstarve**

Niidukit võib kasutada ainult ettenähtud otstarbel. Muul otstarbel kasutamist peetakse niiduki väärkasutamiseks. Selle tagajärjel tekkinud mis tahes kahjustuste või vigastuste eest vastutab kasutaja/omanik, mitte tootja. Bensiinimootoriga muruniiduk on mõeldud vaid isiklikuks kasutamiseks, st koduümbruses ja aias kasutamiseks. Muruniiduki isiklikuks otstarbeks kasutamine hõlmab aastast tööaega, mis reeglina ei ületa 50 tundi, mille jooksul niidukit kasutatakse põhilisel väikesemõõduliste õuaurude ja kodu/hobiaedade hooldamiseks. Vältitud on niiduki kasutamine ühiskondlike rajatiste, spordihallide vms hooldamiseks ja põllumajanduses/metsanduses. Pange tähele, et niiduk ei ole mõeldud kasutamiseks äri, kaubanduslikul või tööstuslikul eesmärgil. Meie garantii on kehtetu, kui niidukit kasutatakse äri-, kaubandus- või tööstusettevõtluses vm sarnasel eesmärgil. Tootja antud kasutusjuhised tuleb alles hoida ja neid järgida, et kindlustada muruniiduki õige kasutamine ja hooldus. Juhised sisaldavad väärtuslikku teavet käitamise, hoolduse ja remondi tingimuste kohta. NB! Suure kehavigastusohu tõttu kasutajale ei tohi muruniidukit kasutada võsa, hekkide või põõsaste pügamiseks, kärpimiseks, lehtlataimede või rõduäärsete heintaimede kärpimiseks, kõnniteedelt mustuse ja prahi puhastamiseks (ära imemiseks) ega puude või hekkide pügamisjääkide hakkimiseks. Samuti ei tohi muruniidukit kasutada mootorkultivaatorina väljaulatavate pindade, näiteks mutimullahunnikute silumiseks. Ohutuse tagamiseks ei tohi muruniidukit kasutada teiste tööriistade või mis tahes tööriistakomplektide vedamiseks.

## 1. MURUNIIDUKIL OLEVAD SÜMBOLID (tagumisel kattel)



Lugege kasutusjuhendit.



Hoidke kõrvalseisjad eemal.



Pöörake töötamise ajal rohkem tähelepanu oma kätele ja jalgadele, et vältida kehavigastusi.



Mürgised aarud: Ärge käitage mootorit siseruumides.



Kütus on tuleohtlik, hoidke tuli sellest eemal. Ärge lisage kütust sel ajal, kui mootor töötab.



Palun kandke niitmise ajal kaitseprille ja kõrvaklappe.



Eemaldage süüteküünla piip enne parandustööde teostamist niidukil. Seejärel remontige niidukit vastavalt kasutusjuhendile.



Ettevaatust: Mootor on kuum.



Seiskamiseks vabastage turvapiduri hoob.

## 2. OHUTUSE ÜLDEESKIRJAD



**HOIATUS:** Bensiinimootoriga seadmeid kasutades tuleb alati järgida tõsise kehavigastuse tekke ja/või seadme kahjustamise ohu vähendamiseks peamisi ettevaatusabinõusid, kaasa arvatud järgmisi. Lugege kasutusjuhend enne niiduki kasutamist tähelepanelikult läbi ja hoidke see alles, et saaksite seda vajadusel uuesti lugeda.



**HOIATUS:** Antud masin tekitab töötamise ajal elektromagnetilise välja. Mõningatel juhtudel võib see väl mõjutada aktiivseid või passiivseid meditsiinilisi implantaate. Soovitame meditsiiniliste implantaatidega isikutel enne antud masina kasutamist pidada tõsise või eluohtliku vigastuse vältimiseks nõu arsti ja meditsiinilise implantaadi tootjaga.

## Väljajõpe

- Lugege tähelepanelikult juhiseid. Õppige põhjalikult tundma seadme juhtimiseadiseid ja niiduki õiget kasutamist. Õppige selgeks, kuidas mootorit kiiresti seisata.
- Kasutage muruniidukit ainult ettenähtud otstarbel, s.t niitmiseks ja rohu kogumiseks. Igasugune muu kasutusviis võib olla ohtlik ja niidukit kahjustada. Väärkasutuse näited on muu hulgas järgmised:
  - inimeste, s.h laste, või loomade transportimine masinal;
  - transportimine masina abil;
  - masina kasutamine koormate pukseerimiseks või lükkamiseks;
  - masina kasutamine lehtede ja prahi kogumiseks;
  - masina kasutamine hekkide pügamiseks, juurviljapealsete jm taimede, mis pole rohi, lõikamiseks;
  - masina kasutamine korraga rohkem kui ühe isiku poolt;
  - lõiketera kasutamine muudel kui rohuga kaetud pindadel.
- Mitte mingil juhul ärge lubage muruniidukit kasutada lastel ega isikutel, kes pole tutvunud käesoleva kasutusjuhendiga. Kohalikud määrused võivad seada piiranguid kasutaja vanusele.
- Muruniidukit ei tohi kasutada järgmistel juhtudel:
  - kui läheduses viibivad inimesed (eriti lapsed) või lemmikloomad;
  - kui operaator on tarvitanud ravimeid või aineid, mis võivad mõjutada tema reageerimis- ja kontsentreerimisvõimet.
- Pidage meeles, et muruniiduki omanik või kasutaja vastutab teistele isikutele põhjustatud vigastuste või nende varale tekitatud kahjustuste eest.
- Niiduki kasutajad peavad saama korraliku väljajõppe niiduki kasutamise, reguleerimise ja käitamise, samuti keelatud toimingute alal.

## Ettevalmistus

- Kandke niitmise ajal alati tugevaid jalatseid ja pikki pükse. Ärge töötage niidukiga, kui olete paljajalu või kannate lahtisi sandaale.
- Kontrollige hoolikalt niidetavat ala ja eemaldage seal kõik esemed, nagu näiteks kivid, mänguasjad, puuroikad ja juhtmed, mis võivad niidukile ette jäädes üles paiskuda.
- HOIATUS- Bensiin on väga tuleohtlik.
  - hoidke kütust selleks ettenähtud mahutites;
  - lisage kütust ainult välistingimustes ja ärge suitsetage samal ajal;
  - lisage kütust enne mootori käivitamist. Ärge eemaldage kütusepaigilt korki ega lisage sinna kütust, kui mootor töötab või on kuum;

- kui olete bensiini maha loksutanud, siis ärge püüdke mootorit käivitada, vaid viige niiduk sellest piirkonnast eemale ja vältige enne bensiinaurude hajumist kõikvõimalikke süttimisallikaid;
- keerake kütusepaagi ja -mahuti korgid tugevasti kinni.
- Vahetage kahjustunud summutid välja.
- Kontrollige alati enne kasutamist, kas lõiketera, lõiketera poldid ja niiduki korpus pole kulumud või vigastatud. Asendage kulumud või kahjustunud poldid komplektina välja, et tagada niiduki ühtlane kulumine.
- Kontrollige regulaarselt, et kõik käivitusblokeerivad ja kasutaja juhtimiseadised töötavad korralikult.

## Kasutamine

- Ärge käituge mootorit kinnises ruumis, kuhu võivad koguneda mürgised süsinikmonoksiidi (vingugaas) aurud.
- Ärge kasutage niidukit, kui olete väsinud, haige või alkoholi või uimastite mõju all.
- Hoiatus! Ärge kasutage muruniidukit, kui esineb süttimisoht.
- Niidukiga töötamise aega on soovitatav piirata, et minimeerida müra ja vibratsioonist tingitud riske.
- Olge ettevaatlik muruniiduki kasutamisel nõlvadel ja murdepinna, kraavide või tammide lähedal.
- Niitke ainult päevalguses või hea tehisvalgustuse olemasolul.
- Võimaluse korral vältige märja muru niitmist.
- Jälgige kallakutel alati, et teil oleks kindel jalgealune.
- Kõndige, ärge jookske.
- Edasiveoga niidukite puhul niitke kallakutel ristisuunas, mitte kunagi üles-alla suunas.
- Olge kallakutel liikumissuunda muutes äärmiselt ettevaatlik.
- Ärge niitke liiga järskudel kallakutel.
- Olge tagurdamisel või muruniiduki enda poole tõmbamisel äärmiselt ettevaatlik.
- Seisake lõiketera(d), kui muruniidukit tuleb mootori töötamise ajal kallutada, et liikuda üle alade, mis ei ole muruga kaetud, ning siis, kui viite muruniidukit niitmisalale või sealt ära.
- Ärge mitte mingil juhul kasutage muruniidukit, mille kaitsekatted on vigastatud või millel puuduvad ohutusadised (nt suunaja ja/või rohkoguja peavad olema õigesti paigaldatud).
- Ettevaatus! Ärge kasutage muruniidukit, kui rohkoguja või isesulguv väljaviskeava kaitsekate pole oma kohal.
- Ärge muutke mootori pöörete regulaatori seadistust ning ärge ületage mootori maksimaalselt lubatud pöördedeid.
- Ärge muutke ega eemaldage ühtegi pitseeritud ühendust mootori töökiiruse reguleerimiseks.
- Muruniiduki turvasüsteeme või -elemente ei tohi omavoliliselt muuta ega kahjustada.
- Vabastage enne niiduki käivitamist kõik lõiketera ja ajami sidurid.
- Käivitage mootor vastavalt juhistele, hoides jalgu lõiketerast (lõiketeradest) ohutus kauguses.
- Ärge kallutage muruniidukit mootori käivitamise ajal.
- Ärge seiske mootori käivitamise ajal väljaviskerenni ees.

- Ärge pange käsi ja jalgu pöörlevate osade lähedale ega nende alla. Hoidke väljaviskeava alati takistustest puhtana.
- Mitte mingil juhul ärge tõstke ega kandke muruniidukit sel ajal, kui mootor töötab.
- Seisake mootor ja ühendage süüteküünla juhe lahti; veenduge, et kõik liikuvad osad on täielikult seiskunud; ja eemaldage mutrivõti, kui see on niiduki küljes:
  - enne takistuste eemaldamist muruniidukist või ummistuste kõrvaldamist väljaviskerennist;
  - enne kontrollimist, puhastamist või mis tahes muude tööde teostamist muruniidukil;
  - pärast pörkimist vastu võõrkeha. Kontrollige, et muruniiduk ei oleks kahjustunud. Teostage enne niiduki käivitamist ja niitma hakkamist vajalikud parandustööd;
  - kui muruniiduk hakkab ebatavaliselt vibreerima (kontrollige kohe).
- Seisake mootor ja ühendage süüteküünla juhe lahti; veenduge, et kõik liikuvad osad on täielikult seiskunud; ja eemaldage mutrivõti, kui see on niiduki küljes:
  - alati, kui lahkute muruniiduki juurest;
  - enne kütuse lisamist.
- Vähendage seguklapi ava seadistust mootori väljalülitamise ajal ja juhul, kui mootor on varustatud kütusekraaniga, siis sulgege see niitmise lõpetamisel.
- Kasutage muruniidukit ainult ettenähtud otstarbel, s.t niitmiseks ja rohu kogumiseks. Igasugune muu kasutusviis võib olla ohtlik ja niidukit kahjustada.
- Kontrollige regulaarselt rohkugujat kulumise või vigastuste kindlakstegemiseks.
- Ohutuse tagamiseks vahetage kulunud või kahjustunud osad uute vastu.
- Kui kütusepaak vajab tühjendamist, tuleb seda alati teha välistingimustes.
- Ebaõige hooldus, mitterahuldavate varuosade kasutamine või turvaelementide eemaldamine või muutmine võib põhjustada muruniiduki kahjustumise ja kasutaja raske vigastuse.
- Kasutage ainult tootja poolt soovitatud lõiketerasid ja varuosi. Mitteoriginaalosate kasutamine võib niidukit kahjustada ja kasutajat vigastada. Hoidke muruniidukit heas töökorras.
- Kui lõiketera pidurdusseade ei tööta, pöörduge abi saamiseks teeninduskeskusesse.

### Transportimine ja teisaldamine

- Masina teisaldamise, tõstmise, transportimise või kallutamise ajal peate:
  - kandma tugevaid töökindaid;
  - haarama masinast kinni nendes punktides, mis võimaldavad ohutut haaret, võttes arvesse masina kaalu ja selle jaotumist;
  - kasutama sobivat arvu inimesi vastavalt masina kaalule ja sõiduki või selle koha omadustele, kuhu masin tuleb asetada.
- Transportimise ajal kinnitage masin kindlalt nõõride või kettidega.

### Hooldus ja hoiustamine

- Jälgi, et kõik mutrid, poldid ja kruvid oleksid tugevasti kinni keeratud. Nii tagate niiduki ohutu töötamise.
- Ärge kunagi hoidke niidukit, mille paagis on kütust, suletud ruumis, sest kütuseaurud võivad kokku puutuda lahtise tule või sädemetega.
- Laske mootoril enne niiduki kinnisesse ruumi viimist maha jahtuda. Enne hoiustamist puhastage ja hooldage muruniiduk.
- Tuleohu vältimiseks hoidke mootori, summuti, akukorpuse ja bensiinipaagi piirkond rohust, lehtedest ja liigsest määrest puhtana.



**HOIATUS:** Ärge puudutage pöörlevat lõiketera.



**HOIATUS:** Lisage kütust hästi ventileeritud kohas seisatud mootori korral.

## 3. MURUNIIDUKI OSADE KIRJELDUS (Joon. 1 ja 2)

### Komplekti kuuluvad

A: Süüteküünlavõti

B: Multšimiskiiil

## 4. TEHNILISED ANDMED

Mudel	PLM4120N	PLM4620N
Mootori tüüp	B ja S 500E Seeria	B ja S 625E Seeria
Iseliikuv	Ei	Ei
Mootori töömaht	140 cm <sup>3</sup>	190 cm <sup>3</sup>
Nimivõimsus	1,9 kW	2,4 kW
Lõiketera laius	410 mm	460 mm
Tühikäigu kiirus	2800/min	2800/min
Kütusepaagi maht	0,8 l	1,0 l
Õlipaagi maht	0,47 l	0,6 l
Rohukoti maht	50 l	60 l
Netomass	26,0 kg	31,1 kg
Kõrguse reguleerimine	25 – 70 mm, 5 reguleeritavat kõrgust	25 – 70 mm, 5 reguleeritavat kõrgust

Mudel	PLM4120N	PLM4620N
Garanteeritud müratugevuse tase kasutaja asukohas (standardi EN ISO 5395-1 lisa F ja standardite EN ISO 5395-2, EN ISO 4871 kohaselt)	84,6dB(A) (K=3dB(A))	83,5dB(A) (K = 3dB(A))
Mõõdetud müratugevuse tase	93,4dB(A) K=1,93dB(A)	93,6dB(A) K=2,47dB(A)
Garanteeritud müratugevuse tase (direktiivi 2000/14/EÜ kohaselt)	96dB(A)	96dB(A)
Vibratsioon (standardi EN ISO 5395-1 lisa G ja standardi EN ISO 5395-2 kohaselt)	5,27 m/s <sup>2</sup> K=1,5m/s <sup>2</sup>	5,738 m/s <sup>2</sup> K=1,5m/s <sup>2</sup>

## 5. KOKKUPANEK

### 5-1 KOKKUPANDAVA KÄEPIDEME MONTEERIMINE

- A) Kinnitage käepideme alumine osa seadme korpuse külge, kasutades kahte poldist, seibist ja lukustusnupust koosnevat komplekti, nagu joonisel on näidatud. (**Joon. 3, Joon. 4, Joon. 5, Joon. 6**)
- B) Tõstke käepideme ülemine osa tööasendisse. Ühendage käepideme ülemine ja alumine osa, kasutades kahte poldist, seibist ja lukustusnupust koosnevat komplekti. (**Joon. 7, Joon. 8, Joon. 9**)
- C) Seadke kõik kaablid üle käepideme torude. Kinnitage need kaabliklambriga käepideme alumiste osade keskele niimoodi, et kaablid jääksid niiduki välisküljele. Vastasel juhul võivad kaablid jääda tagumise katte vahele selle avamisel/sulgemisel või toimibuda ülemaärased pingule käepideme ülemise osa tõstmisel niitmisasendisse. (**Joon. 10**)

### 5-2 ROHUKOGUJA MONTEERIMINE

- Paigaldamine: tõstke tagumine kate üles ja haakige rohukoguja niiduki tagaosa külge. (**Joon. 11, Joon. 12**)
- Eemaldamine: tõstke tagumine kate üles, eemaldage rohukoguja.

### 5-3 STARTERI NÖÖRI KÄEPIDE

Viige starteri nõõri käepide mootorist starteri nõõri juhikusse. (**Joon. 13, Joon. 14**)

### 5-4 LÕIKEKÕRGUS

Hoova vabastamiseks hammaste tagant suruge seda väljapoole. Lõikekõrguse reguleerimiseks lükake hooba ette- või tahapoole. (**Joon. 15 ja vt punkte 8-8**)

## 6. SOBIVA KÕRGUSE SEADISTAMINE

- Tõmmake käepideme alumist osa kinnitav lukustusnupp välja. (**Joon. 16**)
- Vt **Joon. 17**, liigutage käepideme alumist osa üles ja alla, seadke see sobivale kõrgusele. Seda tüüpi muruniidukil saab valida 3 reguleeritava kõrguse vahel, kus käepideme alumine osa asub kõrgusel 1 maapinnast kõige kõrgemas ja kõrgusel 3 kõige madalamas punktis.
- Reguleerige sobivale kõrgusele ja kinnitage siis käepideme alumine osa lukustusnuppudega.



**HOIATUS:** Käepideme alumise osa vasak ja parem pool peavad olema reguleeritud samale kõrgusele.

## 7. KAKS-ÜHES

Muruniidukeid saab tavafunktsioonidelt ümber seadistada vastavalt kasutuseesmärgile:

Tagasuunas väljaviskega muruniidukiks ja multšimisniidukiks.

Mis on multšimine?

Multšimise puhul rohi kõigepealt lõigatakse, seejärel hekseldatakse peeneks ja juhitakse niidetud rohule loodusliku väetisena tagasi.

Nõuandeid multšimisega niitmiseks:

- niitke muru regulaarselt maks. 2 cm võrra lühemaks (rohu kõrguselt 6 cm kuni kõrguseni 4 cm);
- kasutage teravat lõiketera;
- ärge niitke märga rohtu;
- seadke mootori pöörlemiskiirus maksimaalseks;
- niitke ainult normaalses töötempo;
- puhastage regulaarselt multšimiskiiu, korpuse sisemist poolt ja lõiketera.

### ÜKS: Ümberseadistamine multšimisniidukiks



**HOIATUS:** Teostage ainult siis, kui mootor on seisatud ja lõiketera ei liigu.

- Tõstke tagumine kate üles ja eemaldage rohukoguja.
- Lükake multšimiskiiu korpuse alla. Lukustage multšimiskiiu nupu abil korpuse all olevasse avausse. (**Joon. 18, Joon. 19**)
- Laske tagumine kate uuesti alla.

### KAKS: Niitmine koos rohukogujaga

- Niitmiseks koos rohukogujaga eemaldage multšimiskiiu ja paigaldage rohukoguja.
- Multšimiskiiu eemaldamine.
- Tõstke tagumine kate üles ja eemaldage multšimiskiiu.



**HOIATUS:** Teostage järgmisi toiminguid ainult siis, kui mootor on seisatud ja lõiketera ei liigu.

## 8. TÖÖJUHISED

### 8-1 ENNE MOOTORI KÄIVITAMIST

Kasutage mootoris ainult sellist bensiini ja õli, nagu on kindlaks määratud eraldi mootori kasutusjuhendis, mis on teie niidukiga kaasa pandud. Lugege tähelepanelikult juhiseid.



**HOIATUS:** Bensiin on väga tuleohtlik.

Hoidke kütust selleks ettenähtud mahutites.

Lisage kütust ainult välistingimustes, tehke seda enne mootori käivitamist ning ärge suitsetage kütuse lisamise või käsitsemise ajal.

Ärge eemaldage kütusepaagilt korki ega lisage sinna kütust, kui mootor töötab või on kuum.

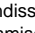
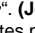
Kui olete bensiini maha loksutanud, siis ärge püüdke mootorit käivitada, vaid viige niiduk sellest piirkonnast eemale ja vältige enne bensiinaurade hajumist kõikvõimalikke süttimisallikaid.

Keerake kütusepaagi ja -mahuti korgid tugevasti kinni. Tühjendage kütusepaak enne muruniiduki kallutamist, et lõiketera hooldada või õli välja kallata.



**HOIATUS:** Ärge kunagi lisage paaki kütust suletud ruumis ega siis, kui mootor töötab. Kui mootor on äsja töötanud, siis oodake enne kütuse lisamist vähemalt 15 minutit, et mootor saaks maha jahtuda.

### 8-2 MOOTORI KÄIVITAMINE JA LÕIKETERA SISSELÜLITAMINE

1. Niiduki süüteküünal on varustatud kummist piibuga, mis asub süüteküünla peal. Veenduge, et süüteküünla juhtme otsas olev metallist aas (kummist piibu sees) oleks tugevasti kinnitatud süüteküünla metallist otsa peale.
2. Enne mootori käivitamist vajutage 3–5 korda täitepumpa. (Joon. 20)
3. Külma mootori käivitamisel keerake seguklapi hoob asendisse „“. Sooja mootori käivitamisel ja töötamise ajal keerake seguklapi hoob asendisse „“. (Joon. 21)
4. Seistes muruniiduki taga, haarake kinni turvapiduri hoovast ja hoidke seda vastu käepideme ülemist osa, nagu on näidatud Joon. 22.
5. Haarake kinni starteri nõõri käepidemest, nagu on näidatud Joon. 22, ja tõmmake seda kiiresti. Kui mootor käivitub, juhtige käepide aeglaselt starteri nõõri juhiku taha tagasi. Mootori ja lõiketera seiskamiseks vabastage turvapiduri hoob.



Käivitage mootor vastavalt juhistele, hoides jalgu lõiketerast ohutus kauguses.



Ärge kallutage muruniidukit mootori käivitamise ajal. Käivitage muruniiduk tasasel pinnal, kus ei ole kõrget rohtu ega takistusi.



Hoidke käed ja jalad eemal pöörlevatest osadest. Ärge seiske mootori käivitamise ajal väljaviskeava ees.

### 8-3 TÖÖPROTSEDUURID

Hoidke niitmise ajal turvapiduri hooba mõlema käega tugevasti vastu käepidet.



**Märkus:** kui turvapiduri hoob niitmise ajal vabastatakse, siis mootor seiskub, peatades seeläbi muruniiduki töö.



**HOIATUS!** Et vältida muruniiduki tahtmatut sisselülitamist, on see varustatud mootoripiduriga, mis tuleb tagasi tõmmata, enne kui mootori saab käivitada. Kui mootori juhtkang on vabastatud, peab see algasendis tagasi minema, mille puhul mootor lülitub automaatselt välja.



**Märkus:** Mootoripidur (piduri hoob). Mootori peatamiseks kasutage hooba. Kui te hooba vabastate, peatuvad mootor ja lõiketera automaatselt. Niitmiseks hoidke hoob tööasendis. Enne niitmise alustamist kontrollige korduvalt käivitamise/peatamise hooba veendumaks, et see töötab korralikult. Veenduge, et pingutuskaabel töötab sujuvalt (st ei ole kuidagi kinni jäänud või paindunud).

### 8-4 MOOTORI SEISKAMINE



**ETTEVAATUST:** Lõiketera jääb pärast mootori väljalülitamist mõneks sekundiks pöörlema.

1. Mootori ja lõiketera seiskamiseks vabastage turvapiduri hoob.
2. Ühendage süüteküünla juhe lahti ja maandage see, nagu kaasasolevas mootori kasutusjuhendis on õpetatud, et vältida ootamatut käivitumist sel ajal, kui niiduk on jäetud järelevalveta.



### 8-5 PARIMATE TULEMUSTE SAAVUTAMINE NIITMISEL

Puhastage muru prahist. Veenduge, et murul pole kive, pulkaside, traati või muid võõrkehi, mis võivad lõiketerade külge takerdudes ootamatult mis tahes suunas laiali paiskuda ning põhjustada tõsise kehavigastuse niiduki kasutajale ja teistele isikutele, samuti kahjustada vara ja muid ümbritsevad esemeid. Ärge niitke märga rohtu. Tõhusamaks niitmiseks ärge niitke märga rohtu, sest see kipub korpuse alumisele küljele kleepuma, takistades mahalõigatud rohu õiget niitmist. Ärge niitke korraga maha rohkem kui 1/3 rohu esialgsest kõrgusest. Niitmise puhul on soovitatav maha niita 1/3 rohu esialgsest kõrgusest. Liikumiskiirus tuleks reguleerida selliseks, mis võimaldab tükeldatud rohtu ühtlaselt murule laiali puistata. Eriti tiheda rohu puhul tuleks vajadusel kasutada ühte kõige aeglasematest kiirustest, et saavutada ühtlane hästi niidetud muru. Kui niidate kõrget rohtu, peaksite muru niitma kaks korda, langetades lõiketera teisel niitmisel veel 1/3 võrra esialgsest kõrgusest ning niites võib-olla mõne teise mustriga järgi kui esimesel korral.

Niiduradade väike kattuvus niitmisel aitab samuti saada ühtlasemat murupinda. Niiduk peaks alati töötama

maksimaalsel pöörete arvul, et saavutada parim löikus ja võimaldada niidukil niita kõige tõhusamalt. Puhastage niiduki korpuse alumist poolt.

Puhastage korpuse alumist poolt kindlasti pärast igat kasutamist, et vältida rohu kogunemist, mis võib takistada õiget multsimist.

Niitmine läbi lehtede: Lehtede niitmine on samuti kasulik teie murule. Lehtede niitmisel veenduge, et need on kuivad ega paikne rohul liiga paksu kihina. Ärge oodake seni, kuni kõik lehed on puudelt maha langenud, enne kui niitma hakkate.



**HOIATUS:** Kui niiduk pörkub vastu võõrkeha, seisake mootor. Eemaldage süüteküünalt juhe, kontrollige niidukit põhjalikult, kas sellel pole kahjustusi, ja enne niiduki uuesti käivitamist teostage vajalikud parandustööd. Niiduki liiga suur vibratsioon töötamise ajal viitab kahjustusele. Niidukit tuleks kohe kontrollida ja remontida.

## 8-6 ROHUKOGUJA

Tühjendage ja puhastage rohukotti, veenduge, et kott on puhas, ja kandke hoolt, et selle võrk oleks takistustest vaba. (Joon. 23)

## 8-7 KORPUS

Niiduki korpuse alumist poolt tuleks puhastada pärast igat kasutamist, et vältida niidetud rohu, lehtede, mulla ja muude võõrkehade kogunemist. Kui prügil lastakse koguneda, võib see põhjustada korrosiooni ja takistada nõuetekohast multsimist. Korpuse puhastamiseks võib niidukit kallutada ja kraapida seda puhtaks sobiva tööriistaga (kontrollige, et süüteküünla juhe oleks lahti ühendatud).

## 8-8 LÖIKEKÕRGUSE REGULEERIMISE JUHISED



**ETTEVAATUST:** Mitte mingil juhul ei tohi muruniiduki reguleerimistööd teha enne, kui te pole kõigepealt seisanud mootorit ja ühendanud lahti süüteküünla juhet.



**ETTEVAATUST:** Jätke niiduk enne löikekõrguse muutmist seisma ja ühendage süüteküünla juhe lahti. Teie niiduk on varustatud ühe tsentraalse löikekõrguse reguleerimishoovaga, mis võimaldab valida 5 kõrguse asendi vahel.

1. Jätke niiduk enne löikekõrguse muutmist seisma ja ühendage süüteküünla juhe lahti.
2. Tsentraalne löikekõrguse reguleerimishoob võimaldab teil kasutada 5 erinevat kõrguse asendit.
3. Löikekõrguse muutmiseks suruge reguleerimishooba ratta suunas ja liigutage seda üles- või allapoole valitud kõrgusele (Joon. 24). Kõik rattad jäävad samale löikekõrgusele.

## 9. HOOLDUSJUHISED

### SÜÜTEKÜÜNAL

Kasutage väljavahetamiseks ainult originaalset süüteküünalt. Parimate tulemuste saavutamiseks vahetage süüteküünal välja iga 100 töötunni järel. (Vt MOOTORI KASUTUSJUHEND)

### PIDURIKLOTSID

Laske mootori piduriklotse hooldusteeninduses regulaarselt kontrollida ja/või vahetada; asendamiseks võib kasutada ainult originaalosi.

## 10. MÄÄRIMISJUHISED



**ETTEVAATUST:** ÜHENDAGE SÜÜTEKÜÜNLA JUHE ENNE HOOLDUST LAHTI.

1. RATTAD. Määrige kõigi rataste kuullaagreid vähemalt üks kord hooaja jooksul kerge õliga.
2. MOOTOR. Järgige mootori kasutusjuhendis antud määrimisjuhiseid.
3. TURVAPIDURI HOOB. Määrige turvapiduri hoova pöördpunkte ja selle trossi vähemalt üks kord hooaja jooksul kergelt õliga. Turvapiduri hoob peab mõlemas suunas liikuma vabalt.

## 11. PUHASTAMINE



**ETTEVAATUST:** Ärge kasutage mootori puhastamiseks veejuga. Vesi võib mootorit kahjustada või saastada kütusesüsteemi.

1. Puhastage korpust kuiva lapiga.
2. Puhastage niiduki korpuse alumist poolt veejoaga, kallutades niidukit niimoodi, et süüteküünal jääb ülespoole.

### 11-1 MOOTORI ÕHUPUHASTI



**ETTEVAATUST:** Ärge laske mustusel või tolmul ummistada õhufiltri porolooonelementi.

Mootori õhupuhasti elementi tuleb hooldada (puhastada) iga 25 töötunni järel normaalsetes tingimustes niitmise korral. Porolooonelementi tuleb hooldada regulaarselt, kui muruniidukit kasutatakse kuivades tolmustes tingimustes. (Vt MOOTORI KASUTUSJUHEND)

### ÕHUFILTRI PUHASTAMINE

1. Ainult PLM4120N: Tõstke filtri kate ülaosas olevad klambrid üles.  
Ainult PLM4620N: Eemaldage kruvi.
2. Eemaldage kate.
3. Peske filtri elementi seebivees. **ÄRGE KASUTAGE BENSIINI!**
4. Laske filtri elemendil õhu käes kuivada.
5. Tilgutage poroloonfiltrile mõned tilgad SAE30 õli ja pigistage kõvasti, et liigne õli eemaldada.
6. Paigaldage filter tagasi.
7. Sulgege filtri kate.



**MÄRKUS:** Vahetage filter välja, kui see on hõredaks kulunud, rebenenud, muul viisil kahjustunud või siis, kui seda ei saa enam puhastada. (Joon. 25 PLM4120N kohta)

## 11-2 LÖIKETERA



**ETTEVAATUST:** Ühendage süüteküünla juhe enne löiketera kallal töötamist kindlasti lahti ja maandage see , et vältida mootori juhuslikku käivitumist. Kaitske käsi, kandes pakse kindaid või kasutage löiketerade haaramiseks lappi. Kallutatud niidukit niimoodi, nagu kaasasolevas mootori kasutusjuhendis on kindlaks määratud. Eemaldage kuuskantpolt ja seib , mis hoiavad löiketera ja löiketera adapterit mootori väntvõlli küljes kinni. Eemaldage löiketera ja adapter väntvõlli küljest.



**HOIATUS:** Kontrollige regulaarselt löiketera adapterit, et sellel poleks pragusid, eelkõige siis, kui niiduk on pörkunud vastu võõrkeha. Vajadusel vahetage adapter välja. Parimate tulemuste saavutamiseks peab löiketera olema terav. Löiketera saab uuesti teritada. Selleks tuleb see eemaldada ning teritada või viilida lõikeserva, säilitades võimalikult täpse originaalfaasi. Väga tähtis on, et kõiki lõikeservi viilatakse ühtlaselt, vältimaks löiketera tasakaalustamatust. Löiketera vale tasakaal põhjustab ülemäärast vibratsiooni, mille tagajärjel võivad tekkida juhuslikud mootoririkked ja niiduki kahjustused. Pärast löiketera teritamist tasakaalustage seda hoolikalt. Löiketera tasakaalu saab kontrollida, tasakaalustades löiketera ümara varrega kruvikeerajal. Eemaldage metalli raskemalt küljelt, kuni löiketera tasakaalustub ühtlaselt. (Joon. 26) Enne löiketera ja adapteri monteerimist seadme külge, määrige mootori väntvõlli ja löiketera adapteri sisemist pinda kerge õliga. Paigaldage löiketera adapter väntvõlli külge. Vt Joon. 26. Paigaldage adapter löiketera sellele küljele, millel pole osa numbrit. Seadke seib löiketera auguga kohakuti ja sisestage kuuskantpolt. Pingutage kuuskantpolti vastavalt allpool antud pöördemomendile.

## 11-3 LÖIKETERA MONTEERIMISE PÖÖRDEMOMENT

Kinnituspoldi pingutamiseks tuleb kasutada pöördemomenti 35–45 Nm. Niiduki ohutu töötamise tagamiseks Kontrollige regulaarselt, et KÕIK mutrid ja poldid oleksid korralikult kinni keeratud. Pärast pikaajalist töötamist, eriti liivasel pinnal, löiketera kulub ja kaotab mingil määral oma originaalse kuju. Selle tagajärjel niitmise tõhusus väheneb ning löiketera tuleks välja vahetada.

Kasutage väljavahetamiseks ainult tehase poolt heakskiidetud löiketera. Tootja ei vastuta löiketera tasakaalustamatuse tagajärjel tekkida võivate kahjustuste eest.

Kasutage väljavahetamiseks ainult originaalset löiketera, mille tüüp on märgitud löiketerale (MAKITA 263001433 mudelile PLM4120N; MAKITA 263001451 mudelile

PLM4620N) (löiketera tellimiseks pöörduge kohaliku müügiesindaja poole või helistage meie ettevõttesse).



**HOIATUS:** Ärge puudutage pöörlevat löiketera.

## 11-4 MOOTOR

Lugege mootori hooldusjuhiseid eraldi mootori kasutusjuhendist.

Säilitage mootoriõli vastavalt mootori kasutusjuhendis antud juhistele.

Lugege ja järgige juhiseid tähelepanelikult.

Kui töotate muruniidukiga normaalses tingimustes, siis hooldage õhupuhastit vastavalt mootori kasutusjuhendis antud juhistele. Kui töotate väga tolmustes tingimustes, siis puhastage õhupuhastit iga mõne tunni järel. Mootori väike jõudlus ja üleujutus viitavad tavaliselt sellele, et õhupuhastit tuleks hooldada.

Lugege õhupuhastit hooldusjuhiseid teie niidukiga kaasasolevast mootori kasutusjuhendist.

Süüteküünalt tuleks puhastada ja elektroodide vahet reguleerida üks kord hooaja jooksul. Soovitatav on, et vahetaksite süüteküünla välja iga niitmishooaja alguses. Kontrollige mootori kasutusjuhendist õiget süüteküünla tüüpi ja elektroodide vahe tehnilisi nõudeid.

Puhastage mootorit regulaarselt lapi või harjaga. Hoidke jahutusüsteem (ventilaatori korpuse piirkond) puhtana, et võimaldada nõuetekohast õhuringlust, mis on oluline mootori jõudluse ja ettenähtud kasutusea säilitamiseks. Eemaldage summuti piirkonnast kindlasti kogu rohi, muld ja tuleohtlik prügi.

## 12. HOIUSTAMISE JUHISED (PÄRAST HOOAJA LÖPPEMIST)

Muruniiduki ettevalmistamisel hoiustamiseks tuleb teostada järgmised toimingud.

1. Kütusepaak tuleb pärast hooaja viimast niitmist tühjaks lasta.
  - a) Tühjendage bensiinipaak imipumba abil.



**ETTEVAATUST:** Ärge tühjendage niidukit bensiinist suletud ruumis, lahtise tule läheduses jne. Ärge suitsetage! Bensiiniaurud võivad põhjustada plahvatuse või tulekahju.

- b) Käivitage mootor ja laske sel töötada seni, kuni kogu bensiin on ära tarbitud ja mootor seiskub.
  - c) Eemaldage süüteküünal. Lisage põlemiskambris õlikannu abil u. 20 ml õli. Kasutage õli ühtlaseks jaotumiseks põlemiskambris starterit. Vahetage süüteküünal välja.
2. Puhastage ja määrige muruniidukit hoolikalt, nagu on kirjeldatud osas „MÄÄRIMISJUHISED“.
  3. Määrige veidi ka löiketera, et vältida roostetamist.
  4. Hoidke muruniidukit kuivas, puhtas, pakase ja kõrvaliste isikute eest kaitstud kohas.



**ETTEVAATUST:** Mootor peab enne muruniiduki hoiule panekut olema täiesti maha jahtunud.



**NB:**

- Mis tahes tüüpi elektriseadmete hoiustamisel ventilatsioonita ruumis või materjalilao varjualuses;
- Tuleks seadet kindlasti kaitsta roostetõrjevahendiga. Kasutage kergest õli või silikooni ning kandke seda seadmele, eelkõige kaablitele ja kõigile liikuvatele osadele.
  - Jälgige, et te ei painutaks kaableid ega ajaks neid keerdu.

- Kui starteri nõör eemaldub käepidemel olevast juhikust, ühendage süüteküünla juhe lahti ja maandage see. Vajutage turvapiduri hoob alla ja tõmmake starteri nõör aeglaselt mootorist välja. Libistage starteri nõör käepidemel olevasse juhikusse.

**Transpordimine**

Lülitage mootor välja ja laske mootoril jahtuda. Siis ühendage süüteküünla juhe lahti ja tühjendage kütusepaak vastavalt mootori kasutusjuhendis toodud juhiste. Veenduge, et niiduki lükkamisel üle takistuste ei painutataks ega kahjustataks lõiketera.

**13. VEAOTSING**

PROBLEEM	VÕIMALIK PÕHJUS	VEA KÕRVALDAMINE
Mootor ei käivitu.	Seguklapi asend ei vasta töötingimustele.	Viige seguklapp õigesse asendisse.
	Kütusepaak on tühi.	Lisage paaki kütust. Vt MOOTORI KASUTUSJUHEND.
	Õhupuhasti element on määrdunud.	Puhastage õhupuhasti elementi. Vt MOOTORI KASUTUSJUHEND.
	Süüteküünal on lahti.	Pingutage süüteküünalt, kasutades pöördemomenti kuni 25–30 Nm.
	Süüteküünla juhe on lahti või süüteküünla küljest lahti ühendatud.	Paigaldage süüteküünla juhe süüteküünlale.
	Süüteküünla elektrootide vahe on vale.	Reguleerige elektrootide vahet, see peab olema 0,7 kuni 0,8 mm.
	Süüteküünal on rikkis.	Paigaldage uus süüteküünal ja seadistage õige elektrootide vahe. Vt MOOTORI KASUTUSJUHEND.
	Karburaator on kütusest üleujutatud.	Eemaldage õhupuhasti element ja tõmmake pidevalt starteri nõöri, kuni karburaator puhastub, ning paigaldage õhupuhasti element.
Süütemoodul on rikkis.	Pöörduge Makita volitatud hooldusteenindusse.	
Mootorit on raske käivitada või võimsus puudub.	Mustus, vesi või vana kütus kütusepaagis.	Tühjendage kütusepaak ja puhastage see. Täitke paak uue puhta kütusega.
	Kütusepaagi korgi õhuava on tõkestatud.	Puhastage kütusepaagi korki või vahetage see välja.
	Õhupuhasti element on määrdunud.	Puhastage õhupuhasti elementi.
Mootor töötab ebaühtlaselt.	Süüteküünal on rikkis.	Paigaldage uus süüteküünal ja seadistage õige elektrootide vahe. Vt MOOTORI KASUTUSJUHEND.
	Süüteküünla elektrootide vahe on vale.	Reguleerige elektrootide vahet, see peab olema 0,7 kuni 0,8 mm.
	Õhupuhasti element on määrdunud.	Puhastage õhupuhasti elementi. Vt MOOTORI KASUTUSJUHEND.
Mootor töötab tühikäigul kehvasti.	Õhupuhasti element on määrdunud.	Puhastage õhupuhasti elementi. Vt MOOTORI KASUTUSJUHEND.
	Mootorikatte õhuavad on blokeeritud.	Eemaldage õhutusavadelt prahht.
	Mootori ventilaatori korpuse all olevad jahutusribid ja õhutusavad on blokeeritud.	Eemaldage prügi jahutusribidelt ja õhutusavadelt.
Mootor jätab suurel pöörete arvul töötades takte vahele.	Süüteküünla elektrootide vahe on liiga väike.	Reguleerige elektrootide vahet, see peab olema 0,7 kuni 0,8 mm.



Mootor kuumeneb üle.	Jahutusõhu ringlus on tõkestatud.	Eemaldage mootorikatte piludelt, ventilaatori korpusest ja õhutusavadelt igasugune prügi.
	Vale süüteküünal.	Mudel PLM4120N paigaldage RC12YC või QC12YC süüteküünal ja jahutusribid mootorile. PLM4620N puhul paigaldage mootorile süüteküünal RJ19LMC ja jahutusribid.
Niiduk vibreerib liigselt.	Lõikemehhanism on lahti.	Pingutage lõiketera.
	Lõikemehhanism ei ole tasakaalus.	Tasakaalustage lõiketera.

## 14. KESKKOND

Kui peaksite oma muruniiduki pärast pikaajalist kasutamist uue vastu välja vahetama, siis ärge pange vana niidukit olmejäätmete hulka, vaid kõrvaldage see kasutusest keskkonnaohutul viisil.

### Ainult Euroopa riikide jaoks

#### EÜ vastavusdeklaratsioon

#### Makita kinnitab, et alljärgnev(ad) Makita seade

#### (seadmed):

Masina tähistus:

Bensiinimootoriga muruniiduk

Mudeli nr/tüüp: PLM4120N, PLM4620N

Tehnilised andmed: vt „4. TEHNILISED ANDMED“

#### vastavad järgmiste Euroopa direktiivide nõuetele:

2004/108/EÜ, 2006/42/EÜ, 2000/14/EÜ ja 2005/88/

EÜ

Ning on toodetud vastavalt järgmistele standarditele või standardiseeritud dokumentidele:

EN ISO 5395-1, EN ISO 5395-2, EN ISO 14982

Tehnilised andmed kooskõlas direktiiviga 2006/42/EÜ on saadaval:

Makita, Jan-Baptist Vinkstraat 2, 3070, Belgia

Vastavushindamise protseduur direktiivi 2000/14/EÜ alusel oli kooskõlas lisaga VI.

Teavitatud asutus:

TÜV SÜD Industrie Service GmbH

Westendstrasse 199, D-80686 München, Saksamaa

ID-number 0036

PLM4120N

Mõõdetud müratugevuse tase: 93,4 dB

Garanteeritud müratugevuse tase: 96 dB

PLM4620N

Mõõdetud müratugevuse tase: 93,6 dB

Garanteeritud müratugevuse tase: 96 dB

22.8.2014



Yasushi Fukaya

Direktor

Makita, Jan-Baptist Vinkstraat 2, 3070, Belgia

**Objaśnienia do widoku ogólnego**

- |                                 |                                 |                        |
|---------------------------------|---------------------------------|------------------------|
| 1. Górna część uchwyty          | 6. Kosz na trawę                | 11. Korek wlewu oleju  |
| 2. Uchwyt wyłącznika            | 7. Dźwignia regulacji wysokości | 12. Zaciśk przewodu    |
| 3. Dźwignia ssania przepustnicy | 8. Korpus                       | 13. Pokrętko blokujące |
| 4. Uchwyt rozrusznika           | 9. Świeca zapłonowa             | 14. Wysoka prędkość    |
| 5. Prowadnica linki             | 10. Korek wlewu paliwa          | 15. Niska prędkość     |



**OSTRZEŻENIE**

Z uwagi na własne bezpieczeństwo, przed przystąpieniem do eksploatacji nowego urządzenia należy przeczytać niniejszą instrukcję. Nieprzestrzeganie instrukcji może być przyczyną poważnych obrażeń. Przed każdorazowym przystąpieniem do użytkowania kosiarki należy poświęcić kilka chwil na zapoznanie się z nią. Niniejszą instrukcję należy trzymać w bezpiecznym miejscu, aby mieć zawsze dostęp do zawartych w niej informacji. W przypadku przekazania opisywanego sprzętu innej osobie, należy również wręczyć jej niniejszą instrukcję obsługi wraz z zasadami bezpieczeństwa.

**Przeznaczenie**

Opisywany sprzęt można wykorzystywać jedynie do zadań, do których zostało ono przeznaczone. Jakiegokolwiek inne zastosowanie zostanie uznane za niewłaściwe użycie. Odpowiedzialność za jakiegokolwiek szkody lub obrażenia tym spowodowane ponosi użytkownik/operator, a nie producent. Spalinowa kosiarka do trawy jest przeznaczona do użytku prywatnego tzn. do wykorzystania przy domu i w ogrodzie.

Prywatne użytkowanie kosiarki do trawy dotyczy rocznej ilości roboczogodzin zwykle nieprzekraczającej 50 godzin, w czasie których urządzenie jest głównie wykorzystywane do pielęgnacji trawników o niewielkiej powierzchni przy budynkach mieszkalnych oraz przydomowych bądź rekreacyjnych ogrodów. Nie obejmuje ono obiektów użyteczności publicznej, hal sportowych i zastosowań w rolnictwie lub leśnictwie. Należy pamiętać, że nasz sprzęt nie jest przeznaczony do zastosowań komercyjnych, handlowych lub przemysłowych. Nasza gwarancja traci ważność, jeżeli opisywany urządzenie jest wykorzystywane w działalności komercyjnej, handlowej lub przemysłowej, bądź w przypadku podobnych zastosowań. Dostarczoną przez producenta instrukcję obsługi należy zachować i regularnie sięgać po nią, aby zagwarantować właściwe użytkowanie i konserwację kosiarki do trawy. Instrukcja zawiera cenne informacje dotyczące obsługi, konserwacji i warunków serwisowania.

Ważne! Z uwagi na duże ryzyko wystąpienia obrażeń ciała u użytkownika, kosiarki do trawy nie wolno wykorzystywać do przycinania krzaków, żywopłotów lub krzewów, do cięcia roślin pnących, do pielęgnowania ogrodów dachowych lub trawników na balkonach, do czyszczenia (zbierania) zanieczyszczeń i śmieci z przejść, ani do rozdrabniania kawałków drewna lub ściętych gałązek żywopłotu. Ponadto, kosiarki do trawy nie wolno używać jako kultywatora do niwelowania nierówności terenu, na przykład kretowisk.

Ze względów bezpieczeństwa, kosiarki do trawy nie wolno wykorzystywać jako jednostki napędowej innych narzędzi i zestawów narzędziowych.

**1. SYMBOLE UMIESZCZONE NA PRODUKCIE (na tylnej pokrywie)**



Należy przeczytać instrukcję obsługi.



Osoby postronne nie powinny się zbliżać do kosiarki.



Należy zwracać szczególną uwagę na dłoń i stopy, aby uniknąć obrażeń.



Toksyczne opary; Nie uruchamiać w pomieszczeniach.



Paliwo jest łatwopalne, nie zbliżać się z otwartym ogniem. Nie wolno uzupełniać paliwa w pracującym urządzeniu.



Podczas koszenia należy nosić okulary ochronne i zatyczki do uszu.



Podczas naprawy należy wymontować świecę zapłonową, a następnie naprawić ją zgodnie z instrukcją obsługi.



Uwaga: Silnik jest gorący.



Zwolnić uchwyt wyłącznika, aby zatrzymać silnik.

## 2. OGÓLNE ZASADY BEZPIECZEŃSTWA



**OSTRZEŻENIE:** Podczas pracy z urządzeniami spalinowymi należy przestrzegać podstawowych zasad bezpieczeństwa, również tych podanych poniżej, aby zmniejszyć niebezpieczeństwo obrażeń lub szkód materialnych.

Należy przeczytać instrukcje przed rozpoczęciem użytkowania urządzenia; trzeba je zachować do przyszłego wykorzystania.



**OSTRZEŻENIE:** Podczas pracy maszyna wytwarza pole elektromagnetyczne. W pewnych warunkach to pole może zakłócać pracę aktywnych lub pasywnych implantów medycznych. Aby zmniejszyć ryzyko poważnych lub śmiertelnych obrażeń, zalecamy osobom z implantami medycznymi skonsultowanie się z lekarzem i producentem implantów medycznych przed przystąpieniem do obsługi tej maszyny.

### Zaznajomienie się z urządzeniem

- Należy uważnie przeczytać niniejszą instrukcję. Należy poznać elementy sterowania i zasady właściwego użytkowania urządzenia. Zapoznać się z metodą szybkiego wyłączenia silnika.
- Kosiarkę do trawy można wykorzystywać tylko zgodnie z przeznaczeniem, np. do koszenia i zbierania trawy. Każdy inny sposób wykorzystania może stanowić zagrożenie lub spowodować uszkodzenie urządzenia. Przykłady możliwego niewłaściwego użytkowania to między innymi:
  - przewożenie osób, dzieci i zwierząt na urządzeniu;
  - przewożenie własnej osoby na urządzeniu;
  - wykorzystywanie urządzenia do holowania lub pchania ładunków;
  - wykorzystywanie urządzenia do zbierania liści i innych odpadów;
  - wykorzystywanie urządzenia do przycinania żywopłotu lub cięcia innych roślin niż trawa;
  - użytkowania urządzenia przez więcej niż jedną osobę;
  - użytkowania noża do cięcia na powierzchniach innych niż trawa.
- Nie wolno dopuszczać, aby kosiarki do trawy używały dzieci lub osoby, które nie zapoznały się z niniejszą instrukcją. Lokalne przepisy mogą ograniczać wiek użytkownika urządzenia.
- Nigdy nie kosić kosiarką do trawy:
  - gdy w pobliżu znajdują się inne osoby, zwłaszcza dzieci, oraz zwierzęta;
  - gdy operator zażywa leki lub inne substancje mogące wpływać na zdolność reakcji i koncentracji.

- Należy pamiętać, że operator lub użytkownik odpowiada za wypadki lub niebezpieczeństwa zagrażające innym osobom lub ich mieniu.
- Operatorzy powinni przejść odpowiednie przeszkolenie w zakresie użytkowania, regulacji i obsługi urządzenia z uwzględnieniem czynności niedozwolonych.

### Przygotowanie

- Podczas koszenia należy zawsze nosić odpowiednio mocne obuwie i długie spodnie. Nie wolno używać kosiarki, nie mając na stopach obuwia lub nosząc otwarte sandały.
- Należy dokładnie sprawdzić obszar, na którym ma być użytkowane urządzenie i usunąć wszystkie przedmioty, takie jak kamienie, zabawki, patyki i druty, które mogłyby zostać przez wspomniane urządzenie pochwycone i wyrzucone w powietrze.
- OSTRZEŻENIE** - Benzyna jest bardzo łatwopalna.
  - należy ją przechowywać w pojemnikach przeznaczonych do tego celu;
  - paliwo można uzupełniać tylko na wolnym powietrzu; nie wolno palić podczas uzupełniania paliwa;
  - paliwo należy dodać przed uruchomieniem silnika. Nie wolno zdejmować korka wlewu paliwa lub uzupełniać paliwa, gdy silnik pracuje lub gdy jest rozgrzany;
  - w przypadku, gdy benzyna zostanie rozlana, nie wolno uruchamiać silnika, ale przesunąć kosiarkę z dala od obszaru pokrytego paliwem oraz zapobiegać powstaniu zapłonu aż do chwili, gdy opary benzyny ulotnią się;
  - należy sprawdzić, czy wszystkie korki wlewu paliwa i innych zbiorników są bezpiecznie założone.
- Wymienić wadliwe tłumiki.
- Przed rozpoczęciem użytkowania należy obejrzeć kosiarkę, aby upewnić się, że nóż, śruby mocujące noża oraz układ tnący nie są zużyte lub uszkodzone. W przypadku zużycia lub uszkodzenia noża lub śrub mocujących należy wymienić cały zestaw, aby układ tnący był odpowiednio wyważony.
- Regularnie sprawdzać prawidłowe działanie wszystkich blokad rozruchowych i elementów sterujących sygnalizujących obecność operatora.

### Użytkowanie

- Nie wolno użytkować silnika w zamkniętym pomieszczeniu, gdzie mogą gromadzić się niebezpieczne wyziewy tlenku węgla.
- Nie wolno użytkować urządzenia w stanie zmęczenia, choroby lub będąc pod wpływem alkoholu albo leków.
- Ostrzeżenie!** Nie wolno użytkować kosiarki do trawy w przypadku występowania ryzyka zapłonu.
- Wskazane jest ograniczenie czasu pracy w celu zminimalizowania zagrożeń związanych z hałasem i drganiami.
- Zachować szczególną ostrożność w przypadku użytkowania kosiarki na pochyłościach i w sąsiedztwie skarp, rowów lub nasypów.
- Należy kosić tylko przy świetle dziennym lub odpowiednio silnym sztucznym oświetleniu.
- W miarę możliwości należy unikać koszenia mokrej trawy.

- Podczas pracy na pochyłościach należy pamiętać, aby pewnie stać na podłożu.
- Podczas koszenia należy chodzić, a nie biegać.
- W przypadku kosiarek kołowych należy kosić zawsze w poprzek pochyłości, nigdy pod górę lub w dół.
- Należy zachować szczególną ostrożność przy zmianie kierunku na pochyłościach.
- Nie wolno kosić pochyłości o bardzo dużym kącie nachylenia.
- Należy zachować najwyższą ostrożność przy cofaniu lub przyciąganiu kosiarki do siebie.
- Należy wyłączyć kosiarkę, jeśli trzeba ją przechylić, aby przebyć powierzchnię inną niż trawa oraz na czas przejazdu do i z obszaru, na którym będzie użytkowana.
- Nie wolno użytkować kosiarki z uszkodzonymi osłonami lub ze zdjętymi zabezpieczeniami, takimi jak wyrzutnik lub zbiornik na trawę.
- Uwaga! Kosiarki do trawy nie wolno uruchamiać bez założonego kompletnego kosza na trawę lub zamontowanej osłony otworu wylotowego zamykającej się samoczynnie.
- Nie wolno zmieniać ustawień regulatora silnika lub doprowadzać silnika do nadmiernych obrotów.
- Nie wolno dokonywać przeróbek zapłombowanych elementów regulacyjnych układów sterowania obrotami silnika ani przy nich majstrować.
- Nie wolno manipulować przy systemach lub funkcjach zabezpieczeń kosiarki do trawy ani ich blokować.
- Przed uruchomieniem silnika należy odłączyć wszystkie sprzęgła noży i napędu.
- Silnik należy uruchamiać zgodnie z instrukcją, stojąc z dala od noży.
- Nie wolno przechylać kosiarki podczas uruchamiania silnika.
- Nie wolno uruchamiać silnika, stojąc przed wyrzutnikiem.
- Nie wolno zbliżać dłoni ani stóp do wirujących części. Nigdy nie należy stawać przed otworem wyrzutnika.
- Nie wolno podnosić ani przenosić kosiarki, gdy silnik pracuje.
- W następujących przypadkach należy zatrzymać silnik i odłączyć przewód świecy zapłonowej, upewniając się, że wszystkie części ruchome przestały się poruszać; gdy kosiarka jest wyposażona w kluczyk zapłonu, należy go wyjąć:
  - przed usuwaniem trawy blokującej nóż lub odblokowaniem wyrzutnika;
  - przed sprawdzaniem, czyszczeniem lub pracą przy kosiarce;
  - po uderzeniu w przeszkodę. Należy sprawdzić, czy kosiarka nie jest uszkodzona i dokonać ewentualnej naprawy przed ponownym uruchomieniem i użytkowaniem kosiarki;
  - jeśli kosiarka zaczyna wibrować w nietypowy sposób (należy natychmiast sprawdzić przyczynę).
- W następujących przypadkach należy zatrzymać silnik i odłączyć przewód świecy zapłonowej, upewniając się, że wszystkie części ruchome przestały się poruszać; gdy kosiarka jest wyposażona w kluczyk zapłonu, należy go wyjąć:
  - zawsze, gdy kosiarka jest pozostawiana bez nadzoru;
  - przed uzupełnieniem paliwa.
- Należy zmniejszyć otwarcie przepustnicy podczas wyłączania silnika; jeśli silnik jest wyposażony w zawór odcinający, należy odciąć dopływ paliwa po zakończeniu pracy.
- Kosiarkę można wykorzystywać tylko zgodnie z przeznaczeniem – do koszenia i zbierania trawy. Każdy inny sposób wykorzystania może stanowić zagrożenie lub spowodować uszkodzenie urządzenia.

## Konserwacja i przechowywanie

- Należy sprawdzić, czy wszystkie nakrętki, wkręty i śruby są dokręcone, co pozwoli utrzymać kosiarkę w odpowiednim stanie technicznym.
- Nie wolno przechowywać urządzenia z paliwem w zbiorniku w pomieszczeniu, gdzie opary paliwa mogą dotrzeć do iskry lub otwartego płomienia.
- Przed odstawieniem urządzenia do pomieszczenia należy poczekać, aż silnik ostygnie. Przed przystąpieniem do przechowywania kosiarki do trawy należy ją oczyścić i zakonserwować.
- Aby zmniejszyć zagrożenie pożarowe, należy zwracać uwagę, aby silnik, tłumik, przedział akumulatora oraz obszar przechowywania paliwa nie były pokryte trawą, liśćmi lub nadmiarem smaru.
- Należy często sprawdzać, czy worek na trawę nie jest zużyty lub uszkodzony.
- Ze względów bezpieczeństwa należy wymieniać zużyte lub uszkodzone części.
- Jeśli trzeba opróżnić zbiornik paliwa, należy to robić na wolnym powietrzu.
- Niewłaściwa konserwacja, stosowanie niezgodnych części zamiennych albo demontaż lub przeróbka zabezpieczeń grozi uszkodzeniem kosiarki do trawy i poważnymi obrażeniami w przypadku operatora.
- Stosować wyłącznie noże i części zamienne zalecane przez producenta. Stosowanie nieoryginalnych części grozi uszkodzeniem urządzenia i obrażeniami w przypadku operatora. Należy dbać o dobry stan techniczny kosiarki do trawy.
- Jeżeli mechanizm zatrzymywania noża nie działa, należy skorzystać z pomocy w punkcie serwisowym.

## Transportowanie i obchodzenie się z urządzeniem

- W każdym przypadku obchodzenia się, podnoszenia, transportowania lub przechylania urządzenia należy:
  - nosić wytrzymałe rękawice robocze;
  - trzymać urządzenie za miejsca gwarantujące bezpieczny chwyt, uwzględniając masę i jej rozkład;
  - wykorzystać odpowiednią liczbę osób względem masy urządzenia oraz właściwości pojazdu lub miejsca, w którym urządzenie ma być eksploatowane bądź przechowywane.
- Podczas transportu urządzenie należy zamocować za pomocą lin lub łańcuchów.



**OSTRZEŻENIE:** Nie dotykać obracającego się noża.



**OSTRZEŻENIE:** Paliwo należy uzupełniać w przewiewnym miejscu; silnik musi być wyłączony.

### 3. OPIS CZĘŚCI (Rys. 1 i 2)

#### Zestaw obejmuje:

A: Klucz do świece zapłonowych

B: Klin rozdrabniający

### 4. DANE TECHNICZNE

Model	PLM4120N	PLM4620N
Typ silnika	Seria B&S 500E	Seria B&S 625E
Własny napęd	Nie	Nie
Pojemność silnika	140 cm <sup>3</sup>	190 cm <sup>3</sup>
Moc znamionowa	1,9 kW	2,4 kW
Szerokość noża	410 mm	460 mm
Obroty jałowe	2 800 obr/min	2 800 obr/min
Pojemność zbiornika paliwa	0,8 l	1,0 l
Pojemność zbiornika oleju	0,47 l	0,6 l
Pojemność kosza na trawę	50 l	60 l
Masa netto	26,0 kg	31,1 kg
Regulacja wysokości	25 – 70 mm, 5 stopniowa	25 – 70 mm, 5 stopniowa
Gwarantowany poziom mocy akustycznej w pozycji operatora (Zgodnie z normami EN ISO 5395-1 Aneks F i EN ISO 5395-2, EN ISO 4871)	84,6dB(A) (K=3dB(A))	83,5dB(A)(K= 3dB(A))
Zmierzony poziom mocy akustycznej	93,4dB(A) K=1,93dB(A)	93,6dB(A) K=2,47dB(A)
Gwarantowany poziom mocy akustycznej (Zgodnie z dyrektywą 2000/14/WE)	96dB(A)	96dB(A)
Drgania (Zgodnie z normami EN ISO 5395-1 Aneks G i EN ISO 5395-2)	5,27 m/s <sup>2</sup> K=1,5m/s <sup>2</sup>	5,738 m/s <sup>2</sup> K=1,5m/s <sup>2</sup>

### 5. MONTAŻ

#### 5-1 MONTAŻ SKŁADANEGO UCHWYTU

- Zamocować dolną część uchwyty do obudowy za pomocą dwóch zestawów śrub, podkładek i pokręteł blokujących, jak pokazano. (Rys. 3, Rys. 4, Rys. 5, Rys. 6)
- Zwolnić górną część uchwyty, aby go rozłożyć. Zamocować górną i dolną część uchwyty razem za pomocą dwóch zestawów śrub, podkładek i pokręteł blokujących. (Rys. 7, Rys. 8, Rys. 9)
- Umieścić wszystkie przewody na rurze uchwyty. Przytwierdzić je na środkowej dolnej części uchwyty przy użyciu zacisków, aby przewody były zamocowane na zewnątrz urządzenia. W przeciwnym wypadku przewody mogą zostać pochwycone podczas otwierania/ zamykania tylnej pokrywy lub zagięte podczas składania górnej części uchwyty. (Rys. 10)

#### 5-2 MONTAŻ KOSZA NA TRAWĘ

- Aby zamocować: unieść tylną pokrywę i zaczeplić kosz na trawę na tylnej części korpusu. (Rys. 11, Rys. 12)
- Aby zdjąć: chwycić i unieść tylną pokrywę, a następnie zdjąć kosz.

#### 5-3 UCHWYT ROZRUSZNIKA

Przesunąć uchwyt rozrusznika od silnika do prowadnicy linki. (Rys. 13, Rys. 14)

#### 5-4 WYSOKOŚĆ CIĘCIA

Nacisnąć od zewnątrz, aby wyczeplić dźwignię z zaczepu. Przesunąć dźwignię w przód lub w tył, aby zmienić wysokość. (Rys. 15 oraz patrz punkt 8-8)

### 6. USTAWIANIE ODPOWIEDNIEJ WYSOKOŚCI

- Cofnąć pokrętkę blokującą, mocującą dolną część uchwyty. (Rys. 16)
- Patrz także Rys. 17, przesunąć dolną część uchwyty w górę lub w dół, ustawiając odpowiednią wysokość. W tym modelu kosiarki do trawy dostępne są 3 wysokości; przy 1. wysokości dolna część uchwyty jest najwyżej, a przy 3. najniżej.
- Po ustawieniu odpowiedniej wysokości należy przymocować dolną część uchwyty za pomocą pokręteł blokujących.



**OSTRZEŻENIE:** Lewą i prawą stronę dolnej części uchwyty należy ustawić na tej samej wysokości.

### 7. 2 W 1

Funkcjonalność tych kosiarek do trawy można zmieniać odpowiednio do zastosowania: z kosiarki do trawy z koszem montowanym z tyłu na kosiarkę z rozdrabnianiem.

Co to jest rozdrabnianie?

Podczas rozdrabniania trawa jest ścinana, a następnie drobno szatkowana i rozsypywana na pasie trawy jako nawóz.

Wskazówki dotyczące koszenia z rozdrabnianiem:

- Regularnie przycinać maks. o 2 cm trawy, z 6 cm do 4 cm wysokości.
- Stosować ostry nóż tnący.
- Nie kosić wilgotnej trawy.
- Ustawić maksymalną prędkość silnika.
- Przesuwać kosiarkę z prędkością roboczą.
- Regularnie czyścić klin rozdrabniający, wewnętrzną stronę obudowy oraz ostrze noża.

## PIERWSZA METODA: Przygotowanie do koszenia z rozdrabnianiem



**OSTRZEŻENIE:** Tylko gdy silnik jest wyłączony, a nóż zatrzymany.

1. Unieść tylną pokrywę i zdjąć kosz na trawę.
2. Wcisnąć klin rozdrabniający w korpus. Zablokować klin rozdrabniający przy użyciu przycisku w wycięciu w korpusie. (Rys. 18, Rys. 19)
3. Ponownie opuścić tylną pokrywę.

## DRUGA METODA: Koszenie z koszem na trawę

1. W celu koszenia z koszem na trawę należy usunąć klin rozdrabniający i zamocować kosz na trawę.
  2. Wyjmowanie klina rozdrabniającego.
- Unieść tylną pokrywę i wyjąć klin rozdrabniający.



**OSTRZEŻENIE:** Tylko gdy silnik jest wyłączony, a nóż zatrzymany.

## 8. INSTRUKCJE UŻYTKOWANIA

### 8-1 PRZED URUCHOMIENIEM

Należy uzupełnić poziom benzyny i oleju w silniku zgodnie z oddzielną instrukcją obsługi silnika dołączonej do kosiarki. Należy uważnie przeczytać tę instrukcję.



**OSTRZEŻENIE:** Benzyna jest bardzo łatwopalna.

Należy ją przechowywać w pojemnikach przeznaczonych do tego celu.

Paliwo można uzupełniać tylko na wolnym powietrzu, przed uruchomieniem silnika; nie wolno palić podczas uzupełniania lub przelewania paliwa.

Nie wolno zdejmować korka wlewu paliwa lub uzupełniać paliwa, gdy silnik pracuje lub gdy jest rozgrzany.

W przypadku, gdy benzyna zostanie rozlana, nie wolno uruchamiać silnika, ale przesunąć kosiarkę z dala od obszaru pokrytego paliwem oraz zapobiegać wystąpieniu zapłonu aż do chwili, gdy opary benzyny ulotnią się.

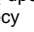
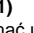
Należy sprawdzić, czy wszystkie korki wlewu paliwa i innych zbiorników są bezpiecznie założone.

Przed przechyleniem lub obróceniem kosiarki w celu konserwacji noża lub usunięcia oleju należy opróżnić zbiornik paliwa.



**OSTRZEŻENIE:** Nie wolno napełniać zbiornika paliwa w zamkniętych pomieszczeniach, przy pracującym silniku; po pracy należy odczekać, aż silnik ochłodzi się przez co najmniej 15 minut po wyłączeniu.

### 8-2 ABY URUCHOMIĆ SILNIK I ZAŁĄCZYĆ NOŻ

1. Urządzenie jest wyposażone w gumową fajkę na końcówce świecy zapłonowej; należy się upewnić, że metalowa pętla na końcu przewodu świecy zapłonowej (wewnątrz fajki) jest prawidłowo przymocowana na metalowym styku świecy zapłonowej.
2. Przed uruchomieniem silnika nacisnąć pompkę zastrzykową od 3 do 5 razy. (Rys. 20)
3. Przy rozruchu silnika zimnego należy przestawić dźwignię ssania przepustnicy w położenie „”. W przypadku uruchamiania rozgrzanego silnika i podczas pracy, należy ustawić dźwignię ssania przepustnicy w położeniu „”. (Rys. 21)
4. Stojąc za urządzeniem, należy przytrzymać uchwyt wyłącznika, opierając go o górną część uchwytu, jak pokazano na Rys. 22.
5. Chwyć uchwyt rozrusznika jak pokazano na Rys. 22 i szybko pociągnąć w górę. Po uruchomieniu silnika powoli cofnąć uchwyt rozrusznika do prowadnicy linki. Zwolnić uchwyt wyłącznika, aby zatrzymać silnik i nóż.



Silnik należy uruchamiać zgodnie z instrukcją, stojąc z dala od noża.



Nie wolno przechylać kosiarki podczas uruchamiania silnika. Uruchomić kosiarkę na równym podłożu, pozbawionym wysokiej trawy lub przeszkód.



Nie wolno zbliżać rąk i stóp do obracających się części. Nie wolno uruchamiać silnika, stojąc przed wyrzutnikami.

### 8-3 UŻYTKOWANIE

Podczas pracy należy mocno trzymać uchwyt wyłącznika obiema rękami.



**Uwaga:** Gdy podczas pracy uchwyt wyłącznika zostanie zwolniony, silnik zatrzyma się, więc kosiarka przestanie działać.



**OSTRZEŻENIE!** Kosiarkę do trawy wyposażono w hamulec silnika zabezpieczający przed niezamierzonym uruchomieniem urządzenia. Aby móc uruchomić silnik, należy pociągnąć za dźwignię hamulca. Po zwolnieniu dźwigni sterowania hamulcem powinna ona powrócić do pierwotnego położenia, w którym silnik jest automatycznie wyłączany.





**Uwaga:** Hamulec silnika (dźwignia hamulca): Dźwignia służy do zatrzymywania silnika. Po zwolnieniu dźwigni, silnik i nóż zatrzymują się automatycznie. Podczas koszenia dźwignię należy trzymać w pozycji roboczej. Przed przystąpieniem do koszenia należy sprawdzić kilka razy dźwignię uruchamiania/zatrzymywania, aby upewnić się, że działa prawidłowo. Upewnij się, że linka naciągu działa bezproblemowo (tzn. nie zahacza o nic, ani się nie wygina).

## 8-4 ABY ZATRZYMAĆ SILNIK



**UWAGA:** Nóż obraca się przez kilka sekund po wyłączeniu silnika.

1. Zwolnić uchwyt wyłącznika, aby zatrzymać silnik i nóż.
2. Należy odłączyć i uziemnić przewód świecy zapłonowej, jak to opisano w oddzielnej instrukcji obsługi silnika, aby zapobiec przypadkowemu rozruchowi, gdy kosiarka jest pozostawiona bez nadzoru.

## 8-5 WSKAZÓWKI DOTYCZĄCE EFEKTYWNEGO ROZDRABNIANIA

Usunąć wszelkie odpadki z trawnika. Sprawdzić, czy na trawniku nie ma kamieni, gałęzi, drutów lub innych przedmiotów, które mogłyby zostać wyrzucone przez kosiarkę w dowolną stronę i spowodować poważne obrażenia u użytkownika lub innych osób, jak również straty materialne i zniszczenia w otoczeniu. Nie kosić wilgotnej trawy. Aby rozdrabnianie było skuteczne, nie można kosić wilgotnej trawy, gdyż przywiera ona do spodniej części korpusu kosiarki, co uniemożliwia prawidłowe rozdrabnianie. Nie ścinać więcej niż 1/3 długości źdźbła.

W przypadku rozdrabniania, zaleca się cięcie 1/3 długości źdźbła trawy. Należy kontrolować prędkość jazdy kosiarki, aby rozdrobniona trawa była równomiernie rozrzucona na trawniku. W przypadku cięcia wyjątkowo gęstej trawy może być konieczne utrzymywanie najniższej prędkości, aby uzyskać prawidłowe cięcie i rozdrabnianie. Przy koszeniu wysokiej trawy może być konieczne dwukrotne koszenie trawnika; przy drugim koszeniu należy zmniejszyć wysokość cięcia o kolejną 1/3 długości źdźbła i ewentualnie zmienić trasę koszenia.

Zachodzenie na poprzedni pas przy każdym przejściu pozwala usunąć źdźbła pozostałe po poprzednim przejściu. Podczas koszenia należy całkowicie otworzyć przepustnicę kosiarki, aby uzyskać najlepsze cięcie i aby rozdrabnianie było jak najbardziej efektywne. Oczyszczyć spód korpusu kosiarki.

Należy pamiętać, aby czyścić spodnią część korpusu kosiarki po każdym użyciu, aby zapobiec gromadzeniu się trawy, co uniemożliwia prawidłowe rozdrabnianie.

Rozdrabnianie liści: Pozytywny wpływ na trawnik może mieć również rozdrabnianie liści. Przy rozdrabnianiu liści należy sprawdzić, czy są one suche i czy nie zalegają zbyt grubą warstwą na trawniku. Nie należy czekać, aż wszystkie liście spadną z drzew, aby je rozdrobnić.



**OSTRZEŻENIE:** W przypadku uderzenia w przeszkodę należy zatrzymać silnik. Odłączyć przewód od świecy zapłonowej, dokładnie sprawdzić, czy kosiarka nie jest uszkodzona i naprawić uszkodzenia przez ponownym uruchomieniem i użytkowaniem kosiarki. Nadmierne drgania kosiarki podczas pracy są objawem uszkodzenia. Kosiarkę należy natychmiast sprawdzić i naprawić.

## 8-6 KOSZ NA TRAWĘ

Opróżnić i oczyścić worek, upewnić się, że jest czysty oraz że jego otwory nie są pozapychane. (Rys. 23)

## 8-7 KORPUS

Spodnia część korpusu kosiarki powinna być czyszczona po każdym użyciu, aby zapobiec gromadzeniu się ściętej trawy, liści, ziemi lub innych zabrudzeń. W przypadku nagromadzenia zanieczyszczeń zwiększa się ryzyko korozji oraz zmniejsza się efektywność rozdrabniania. Korpus można oczyścić po odwróceniu kosiarki i wyszorowaniu odpowiednim narzędziem (należy sprawdzić, czy przewód świecy zapłonowej jest odłączony).

## 8-8 REGULACJA WYSOKOŚCI



**UWAGA:** W żadnym razie nie wolno dokonywać regulacji kosiarki bez zatrzymania silnika i odłączenia przewodu świecy zapłonowej.



**UWAGA:** Przed zmianą wysokości koszenia należy zatrzymać kosiarkę i odłączyć przewód świecy zapłonowej. Kosiarka jest wyposażona w centralną dźwignię regulacji wysokości, którą można ustawić w pięciu położeniach.

1. Przed zmianą wysokości koszenia należy zatrzymać kosiarkę i odłączyć przewód świecy zapłonowej.
2. Centralna dźwignia regulacji pozwala na ustawienie jednej z pięciu wysokości.
3. Aby zmienić wysokość cięcia, należy nacisnąć dźwignię regulacji w kierunku do koła i przesunąć ją w górę lub w dół, aby uzyskać odpowiednią wysokość (Rys. 24). Wszystkie koła będą ustawione na tę samą wysokość.

## 9. KONSERWACJA

### ŚWIECA ZAPŁONOWA

Należy stosować tylko oryginalne świece zapłonowe. Zaleca się wymieniać świecę zapłonową co 100 godzin pracy. (patrz INSTRUKCJA OBSŁUGI SILNIKA)

### KLOCKI HAMULCOWE

Klocki hamulcowe silnika należy regularnie kontrolować i/lub wymieniać w punkcie serwisowym. W przypadku wymiany stosować wyłącznie oryginalne części.

## 10. SMAROWANIE



**UWAGA:** ODŁĄCZYĆ ŚWIECĘ ZAPŁONOWĄ PRZED ROZPOCZĘCIEM CZYNNOŚCI KONSERWACYJNYCH.

1. KOŁA – przesmarować łożyska kulkowe w każdym kole co najmniej raz w sezonie, używając lekkiego oleju.
2. SILNIK – wskazówki dotyczące smarowania podane zostały w instrukcji silnika.
3. WYŁĄCZNIK – przesmarować przeguby na uchwycie wyłącznika i przewodzie co najmniej raz w sezonie, używając lekkiego oleju. Wyłącznik musi przesuwać się swobodnie w obu kierunkach.

## 11. CZYSZCZENIE



**UWAGA:** Nie myć silnika przy użyciu węża. Woda może uszkodzić silnik lub zanieczyścić układ paliwowy.

1. Przetrzeć korpus suchą szmatką.
2. Wymyć spodnią część korpusu, przechylając kosiarkę tak, aby świeca zapłonowa była skierowana w górę.

### 11-1 FILTR POWIETRZA SILNIKA



**UWAGA:** Nie wolno dopuścić, aby zabrudzenia lub pył zapchały piankowy wkład filtra powietrza.

Wkład filtra powietrza musi być konserwowany (czyszczony) po 25 godzinach normalnej eksploatacji. Wkład piankowy musi być regularnie konserwowany, jeśli kosiarka jest użytkowana w suchym i zapyłonym otoczeniu. (patrz INSTRUKCJA OBSŁUGI SILNIKA)

### Aby OCZYŚCIĆ FILTR POWIETRZA

1. Dla PLM4120N: Unieść zaczepy na górze pokrywy filtra.  
Dla PLM4620N: Odkręcić śrubę.
2. Zdjąć pokrywę.
3. Umyć wkład filtra w wodzie z mydłem. **NIE UŻYWAĆ BIAŁYCH!**
4. Osuszyć wkład filtra powietrzem.
5. Umieścić kilka kropel oleju SAE30 na wkładzie piankowym i mocno ścisnąć, aby usunąć nadmiar oleju.
6. Ponownie zamontować filtr.
7. Zamknąć pokrywę filtra.



**UWAGA:** Wymienić filtr, jeśli jest on rozdarty, poszarpany, uszkodzony lub jeśli nie da się go wyczyścić. (Rys. 25 dotyczy modelu PLM4120N)

### 11-2 NÓŻ TNĄCY



**UWAGA:** Należy pamiętać, aby odłączyć i uziemić przewód świecy zapłonowej przed rozpoczęciem konserwacji noża, co pozwoli zapobiec

przypadkowemu uruchomieniu silnika. Należy chronić dłoń, wykorzystując wytrzymałe rękawice lub szmatkę do pochwylenia noża tnącego. Przechylić kosiarkę, jak to opisano w oddzielnej instrukcji silnika. Odkręcić śrubę z łbem sześciokątnym oraz podkładkę, która utrzymuje ostrze i uchwyt ostrza na wale korbowym silnika. Zdjąć nóż i uchwyt z wału korbowego.



**OSTRZEŻENIE:** Okresowo sprawdzać, czy na uchwycie noża nie widać pęknięć, zwłaszcza po napotkaniu przeszkody. Wymienić w razie potrzeby. Aby koszenie było efektywne, nóż musi być ostry. Nóż można ponownie naostrzyć, demontując go i szlifując lub uzupełniając ubytki, starając się zachować kształt oryginalnego noża. Bardzo ważna kwestia to równomierne szlifowanie każdej krawędzi tnącej, dzięki czemu nóż jest dobrze wyważony. Brak wyważenia może spowodować nadmierne drgania, co z kolei powoduje uszkodzenie silnika i kosiarki. Należy pamiętać, aby starannie wyważyć nóż po ostrzeniu. Wyważenie noża można sprawdzić, kładąc go na wkrętaku o zaokrąglonym pręcie. Należy szlifować cięższy koniec noża, aż do uzyskania zadowalającego wyważenia. (Rys. 26) Przed ponownym zamocowaniem noża i uchwytu noża należy przesmarować lekkim olejem wał korbowy i wewnętrzną powierzchnię uchwytu noża. Zamontować uchwyt noża na wale korbowym. Patrz Rys. 26. Umieścić nóż tak, aby numer części był skierowany w stronę przeciwną do uchwytu. Wyosiować podkładkę na nożu i wkręcić śrubę z łbem sześciokątnym. Dokręcić śrubę z łbem sześciokątnym momentem dokręcenia podanym poniżej.

### 11-3 MOMENT DOKRĘCENIA NÓŻA

Śruba środkowa musi być dokręcona z momentem 35-45 Nm. Aby zapewnić bezpieczne użytkowanie urządzenia Należy okresowo sprawdzać WSZYSTKIE śruby i nakrętki pod kątem prawidłowego dokręcenia. Po długiej eksploatacji, zwłaszcza w otoczeniu o dużym zapyleniu, nóż będzie się częściej zużywał i utraci oryginalny kształt. Spowoduje to pogorszenie funkcji koszenia. Nóż należy wymienić. Nóż należy wymieniać wyłącznie na oryginalny nóż. Za ewentualne straty spowodowane złym wyważeniem noża producent nie odpowiada. Przy wymianie noża należy stosować nóż zgodnie z oznaczeniami na poprzednim nożu (MAKITA 263001433 dla modelu PLM4120N; MAKITA 263001451 dla modelu PLM4620N) (aby zamówić nóż, należy skontaktować się z lokalnym przedstawicielem lub z producentem).



**OSTRZEŻENIE:** Nie dotykać obracającego się noża.

### 11-4 SILNIK

Konserwacja silnika opisana jest w oddzielnej instrukcji obsługi silnika. Wymiana oleju w silniku jest opisana w oddzielnej instrukcji dołączonej do kosiarki. Należy uważnie przeczytać wszystkie instrukcje. Konserwacja filtra powietrza jest opisana w oddzielnej instrukcji obsługi silnika. W przypadku bardzo dużego



zapylenia należy czyścić kosiarkę co kilka godzin. Słaba moc silnika oraz zalewanie to objawy wskazujące na konieczność konserwacji filtra powietrza.

Konserwacja filtra powietrza jest opisana w oddzielnej instrukcji obsługi silnika dołączonej do kosiarki.


Należy raz na sezon oczyścić świecę i ustawić wielkość szczeliny. Zaleca się wymianę świecy zapłonowej na początku każdego sezonu koszenia; należy sprawdzić w instrukcji obsługi silnika, jaki jest właściwy typ świecy oraz wielkość szczeliny.

Należy regularnie czyścić silnik przy użyciu szmatki lub szczotki. Należy utrzymywać układ chłodzenia (obszar wokół dmuchawy) w czystości, aby zapewnić właściwy obieg powietrza, który jest niezbędny do prawidłowego działania silnika. Należy sprawdzić, czy trawa, ziemia i łatwopalne zanieczyszczenia zostały usunięte z obszaru wokół tłumika.

## 12. PRZECHOWYWANIE (POZA SEZONEM)

Aby przygotować kosiarkę do przechowywania, należy wykonać następujące czynności:

1. Po ostatnim koszeniu w sezonie należy opróżnić zbiornik paliwa.
  - a) Opróżnić zbiornik paliwa za pomocą pompy ssącej.
  - b) Uruchomić silnik i zaczekać, aż zużyje całe pozostałe paliwo i zgaśnie.
  - c) Wyjąć świecę zapłonową. Używając smarownicy, wlać około 20 ml oleju do komory spalania. Pociągnąć za linkę rozrusznika, aby równomiernie rozprowadzić olej w komorze spalania. Włożyć świecę zapłonową.
2. Dokładnie wyczyścić i nasmarować kosiarkę do trawy zgodnie z opisem w punkcie „SMAROWANIE”.
3. Lekko nasmarować nóż, aby zapobiec korozji.
4. Przechowywać kosiarkę do trawy w suchym i czystym pomieszczeniu zabezpieczonym przed mrozem, poza zasięgiem osób nieupoważnionych.

 **UWAGA:** Przed odstawieniem kosiarki do trawy w celu jej przechowania należy odczekać, aż silnik całkowicie ostygnie.



### **UWAGA:**

W razie przechowywania narzędzi w pomieszczeniu bez wentylacji lub w magazynie produktowym;

- Należy podjąć kroki, aby zapobiec korozji urządzeń.
  - Należy pokryć części urządzeń, zwłaszcza przewody i wszystkie części ruchome, warstwą lekkiego oleju lub silikonu.
- Nie wolno zaginać lub załamywać przewodów.
- Jeśli linka rozrusznika odłączy się od przewodnicy linki na uchwycie, należy odłączyć i uziemić przewód świecy zapłonowej, nacisnąć uchwyt ustawienia noża i powoli wyciągnąć linkę rozrusznika z silnika. Przełożyć linkę rozrusznika przez przewodnicę linki na uchwycie.

### **Transportowanie**

Wyłącz silnik i odczekać aż ostygnie. Następnie odłączyć przewód świecy zapłonowej i opróżnić zbiornik paliwa zgodnie z instrukcją obsługi silnika. Przejedź kosiarką do trawy po nierównym terenie, uważać, aby nie wygiąć lub nie uszkodzić noża.

## 13. ROZWIĄZYWANIE PROBLEMÓW

PROBLEM	PRAWDOPODOBNA PRZYCZYNA	ROZWIĄZANIE
Silnik nie uruchamia się.	Dźwignia ssania przepustnicy w położeniu niewłaściwym dla danych warunków.	Przesunąć dźwignię ssania przepustnicy we właściwe położenie.
	Zbiornik paliwa jest pusty.	Napełnić zbiornik paliwem: patrz INSTRUKCJA OBSŁUGI SILNIKA.
	Wkład filtra powietrza jest zabrudzony.	Oczyścić wkład filtra powietrza: patrz INSTRUKCJA OBSŁUGI SILNIKA.
	Obluzowana świeca zapłonowa.	Dokręcić świecę momentem 25-30 Nm.
	Przewód świecy zapłonowej poluzowany lub odłączony od świecy.	Założyć przewód świecy zapłonowej na świecę.
	Szczelina świecy jest nieprawidłowa.	Ustawić szczelinę pomiędzy elektrodami na 0,7 do 0,8 mm.
	Świeca zapłonowa jest wadliwa.	Zamontować nową świecę zapłonową z prawidłową szczeliną. patrz INSTRUKCJA OBSŁUGI SILNIKA.
	Gaźnik jest zalany paliwem.	Wyjąć wkład filtra powietrza i ciągnąć linkę rozrusznika, aż gaźnik się oczyści; wtedy zamontować wkład filtra powietrza.
	Wadliwy moduł zapłonu.	Należy skontaktować się z punktem serwisowym firmy Makita.
Trudności z uruchomieniem silnika lub spadki mocy.	Zabrudzenia, woda lub zawiesina w paliwie.	Usunąć paliwo i wyczyścić zbiornik. Napełnić zbiornik czystym, świeżym paliwem.
	Otwór napowietrzający w korku wlewu paliwa jest zapchany.	Oczyścić lub wymienić korek zbiornika paliwa.
	Wkład filtra powietrza jest zabrudzony.	Oczyścić wkład filtra powietrza.
Silnik pracuje nierówno.	Świeca zapłonowa jest wadliwa.	Zamontować nową świecę zapłonową z prawidłową szczeliną. patrz INSTRUKCJA OBSŁUGI SILNIKA.
	Szczelina świecy jest nieprawidłowa.	Ustawić szczelinę pomiędzy elektrodami na 0,7 do 0,8 mm.
	Wkład filtra powietrza jest zabrudzony.	Oczyścić wkład filtra powietrza: patrz INSTRUKCJA OBSŁUGI SILNIKA.
Nieprawidłowe obroty jałowe silnika.	Wkład filtra powietrza jest zabrudzony.	Oczyścić wkład filtra powietrza: patrz INSTRUKCJA OBSŁUGI SILNIKA.
	Szczeliny w kryzie silnika są zapchane.	Usunąć zabrudzenia ze szczelin.
	Żeberka i szczeliny pod obudową dmuchawy są zapchane.	Usunąć zabrudzenia ze żeberek i szczelin.
Silnik dławi się na wysokich obrotach.	Szczelina pomiędzy elektrodami świecy zapłonowej jest zbyt mała.	Ustawić szczelinę pomiędzy elektrodami na 0,7 do 0,8 mm.
Silnik przegrzewa się.	Ograniczony przepływ powietrza.	Usunąć zanieczyszczenia ze szczelin, obudowy dmuchawy i otworów.
	Nieprawidłowa świeca zapłonowa.	W przypadku PLM4120N, zamontować świecę zapłonową RC12YC lub QC12YC i żeberka chłodzące na silniku. W przypadku PLM4620N zamontować świecę zapłonową RJ19LMC i żeberka chłodzące na silniku.
Kosiarka drga w nieprawidłowy sposób.	Obluzowany zespół tnący.	Dokręcić nóż.
	Zespół tnący jest źle wyważony.	Wyważyć nóż.

## 14. OCHRONA ŚRODOWISKA

Jeśli urządzenie wymaga wymiany po długim okresie użytkowania, nie wolno wyrzucać go wraz z odpadami komunalnymi, ale trzeba je zutylizować w sposób przyjazny dla środowiska.

**Dotyczy tylko krajów europejskich**

**Deklaracja zgodności WE**

**Firma Makita oświadcza, że poniższe urządzenie (urządzenia):**

Oznaczenie maszyny:

Spalinowa kosiarka do trawy

Nr modelu/ Typ: PLM4120N, PLM4620N

Dane techniczne: Patrz „4. DANE TECHNICZNE”

**Spełniają następujące dyrektywy europejskie:**

2004/108/WE, 2006/42/WE, 2000/14/WE i 2005/88/WE

Są produkowane zgodnie z następującymi normami lub dokumentami normalizacyjnymi:

EN ISO 5395-1, EN ISO 5395-2, EN ISO 14982

Dokumentacja techniczna zgodna z normą 2006/42/WE dostępna jest w siedzibie:

Makita, Jan-Baptist Vinkstraat 2, 3070, Belgia

Procedura oceny zgodności wymagana przez Dyrektywę 2000/14/WE została przeprowadzona zgodnie z Załącznikiem VI.

Jednostka notyfikowana:

TÜV SÜD Industrie Service GmbH

Westendstrasse 199, D-80686 München, Niemcy

Numer identyfikacyjny: 0036

PLM4120N

Mierzony poziom mocy akustycznej: 93,4 dB

Gwarantowany poziom mocy akustycznej: 96 dB

PLM4620N

Mierzony poziom mocy akustycznej: 93,6 dB

Gwarantowany poziom mocy akustycznej: 96 dB

22.8.2014



Yasushi Fukaya

Dyrektor

Makita, Jan-Baptist Vinkstraat 2, 3070, Belgia

**Általános nézet és a részek magyarázata**

- |                        |                          |                          |
|------------------------|--------------------------|--------------------------|
| 1. Tolókar felső része | 6. Fűgyűjtő              | 11. Olajnyílás fedél     |
| 2. Leállító kar        | 7. Magasság beállító kar | 12. Kábelrögzítő bilincs |
| 3. Gázkar              | 8. Géptest               | 13. Rögzítő gomb         |
| 4. Indítógantyú        | 9. Gyűjtőgyertya         | 14. Gyors menet          |
| 5. Kötélvezető         | 10. Tanksapka            | 15. Lassú menet          |



**FIGYELMEZTÉS**

Saját biztonsága érdekében az új készülék használata előtt olvassa el a jelen kézikönyvet. Az utasítások be nem tartása súlyos személyi sérülést eredményezhet. Minden használat előtt szánjon rá pár percre, hogy megismerje a fűnyírót. A kézikönyvet tartsa biztonságos helyen, így az információk mindig elérhetőek lesznek. Ha a berendezést másik személynek adja át, a berendezéshez mellékelje az üzemeltetési utasításokat és a biztonsági előírásokat is.

**Rendeltetés**

Csak az előírásoknak megfelelő feladatok elvégzésére használja a berendezést. Bármely más jellegű használat helytelen használatnak minősül. Ilyen esetben nem a gyártó, hanem a felhasználó/üzemeltető a felelős az okozott károkért, illetve sérülésekért.

A benzines fűnyírót személyi jellegű, azaz otthoni, kerti felhasználásra tervezték.

A fűnyíró személyi jellegű felhasználása azt jelenti, hogy a fűnyíró éves működtetési ideje általában véve nem lépheti túl az 50 órát, és a gép elsősorban lakóépületek kisebb gyepjének, illetve otthoni/hobbikertek gondozásához használandó. A középületeknél, sportlétesítményeknél történő, illetve mezőgazdasági/erdészeti alkalmazás nem rendeltetésszerű használatnak minősül.

Felhívjuk figyelmét, hogy a berendezést nem kereskedelmi, illetve nem ipari felhasználásra tervezték. A garancia érvényét veszti, ha a gépet kereskedelmi, ipari vagy ezzel egyenértékű célra használják.

Őrizze meg a gyártó üzemeltetési utasításait, és azok alapján ellenőrizze, hogy a fűnyírót az előírásoknak megfelelően használják és tartják karban. Az utasítások hasznos információkat tartalmaznak az üzemeltetéssel, karbantartással és szervizfeltételekkel kapcsolatban. Fontos! Mivel magas a kockázata a felhasználó testi sérülésének, ezért a fűnyírót ne használja bokrok, sövények és bozót nyírására, magasnövényzet, beültetett tetők vagy erkélyen lévő fű vágására, a járdákon lévő szennyeződés vagy törmelék tisztítására (felszívására), illetve lombok aprítására, vágására. Ezenfelül ne használja a fűnyírót talajlazító gépként magasabb területek (pl. vakondtúrások) szintbe hozásához. Biztonsági okokból ne szállítson más munkaszerszámokat vagy szerszámkészleteket a fűnyírón.

**1. A TERMÉKEN TALÁLHATÓ SZIMBÓLUMOK (a hátsó burkolaton)**



Olvassa el a használati utasítást.



A fűnyíró használatakor ne engedjen senkit annak közelébe.



Különösen ügyeljen a kezére és lábaira.



A kipufogógáz mérgező; Ne működtesse a gépet zárt helyen.



Az üzemanyag gyúlékony, ne használjon a közelében nyílt lángot. Járó motorú gépbe ne töltsön üzemanyagot.



Fűnyírás közben viseljen védőszemüveget és füldugót egészsége védelmében.



Javítás esetén a gyűjtőgyertyát a kezelési utasításban ismertetett módon szerelje ki, és javítsa meg.



Figyelem! A motor felforrósodhat.



A motor leállításához engedje fel a kapcsolókart.

## 2. ÁLTALÁNOS BIZTONSÁGI RENDSZABÁLYOK



**FIGYELEM:** Benzinnel működő berendezések használata esetén az esetleges személyi sérülés és anyagi kár elkerülése érdekében mindig tartsa be az alapvető biztonsági rendszabályokat az alábbiakkal együtt.

A gép használatának megkezdése előtt olvassa el az összes rá vonatkozó utasítást, és tartsa meg a dokumentációt későbbi használatra.



**FIGYELEM:** A gép elektromágneses mezőt kelt működés közben. Ez az elektromágneses mező bizonyos körülmények között zavarhatja az emberi szervezetbe beültetett aktív vagy passzív implantátumokat. Az esetleges súlyos vagy halálos következmény elkerülése érdekében javasoljuk, hogy a beültetett implantátummal élő személy a gép használata előtt konzultáljon orvosával és az implantátum gyártójával.

### Képzés

- Az utasításokat figyelmesen olvassa el. Sajátítsa el a gép helyes használatát és kezelőszervek működtetését.  
Tanulja meg, hogy hogyan állíthatja le gyorsan a motort.
- A fűnyírót kizárólag a rendeltetési céljára, azaz fű nyírására és begyűjtésére szabad használni. Bármely egyéb alkalmazás veszélyt hordozhat magában, és a készülék sérülését okozhatja. Nem szabad többek között:
  - felnötteket, gyerekeket illetve állatokat szállítani a gépen;
  - a gépre ráállni vagy ráülni haladás közben;
  - rakományt mozgatni a géppel;
  - leveleket vagy szemetet gyűjteni a géppel;
  - sövényt vagy egyéb, a fűtől eltérő növényzetet nyírni a géppel;
  - a gépet egynél több személynek használnia egyszerre;
  - a pengét fűtől eltérő felületen használni.
- Soha ne engedje, hogy gyermekek vagy ezen utasításokat nem ismerő személyek használják a fűnyírót. Előfordulhat, hogy a helyi törvények rendelkeznek a kezelő életkorát illetően.
- Soha ne használja a fűnyírót:
  - ha emberek – különösen gyermekek – vagy háziállatok tartózkodnak a közelben;
  - ha győgszert vett be, vagy egyéb anyagot fogyasztott, amely befolyásolhatja a reakcióit vagy a koncentrációs képességét.
- Ne feledje, hogy a kezelő, illetve felhasználó felelős a balesetekért vagy a más személyekkel vagy tulajdonnal szembeni veszélyhelyzetekért.
- A kezelőknek megfelelő képzésben kell részesülniük a berendezés használatát, beállításait, üzemeltetését és a tiltott műveleteket illetően.

### Előkészületek

- Fűnyírás közben megfelelő lábbelit és hosszú nadrágot viseljen. Ne működtesse a gépet mezít láb vagy nyitott szandálban.
- Alaposan vizsgálja át a területet, ahol a berendezést használni fogja, és távolítsa el minden olyan tárgyat, követ, játékot, botot és vezetékét, amely a gép útjába kerülhet.
- FIGYELEM- A benzin rendkívül gyúlékony.
  - benzint kizárólag erre a célra készített edényben tároljon;
  - tankolást ne végezzen zárt helyen, és tankolás közben ne dohányozzon;
  - még a motor beindítása előtt tankoljon; Ne vegye le a tanksapkát, és ne tankoljon járó motor mellett, és amíg a motor le nem hűlt;
  - ha mellé a benzin, ne indítsa be a gépet a tankolás helyén, hanem tolja arább, és kerülje a nyílt lángot és egyéb gyújtó jellegű tevékenységet a környéken, amíg a benzin el nem párolog;
  - zárja vissza biztonságosan a tanksapkát és a tankinkanna fedelét.
- A hibás hangtompítót cserélje le.
- Használat előtt mindig ellenőrizze szemrevételezéssel, hogy a pengék, a penge csavarjai és a vágóegység nem kopott vagy sérült-e. A kopott vagy sérült pengéket és csavarokat a kiegyensúlyozottság megtartása érdekében egyszerre, készletben cserélje.
- Rendszeresen ellenőrizze, hogy az összes elindulást gátló retesz, valamint a kezelő jelenlétét érzékelő vezérlő megfelelően működik.

### Kezelés

- Ne működtesse a gépet zárt térben, ahol mérgező szénmonoxid gyűlhet fel.
- Ne használja a gépet, ha fáradt, beteg, illetve alkohol vagy drog befolyása alatt áll.
- Figyelem! Ne használja a fűnyírót, ha villámás kockázata áll fenn.
- Javasolt korlátozni az üzemeltetés időtartamát a zajból és a rezgésből adódó kockázatok minimalizálása érdekében.
- Különösen vigyázzon, ha a fűnyírót lejtőn, illetve árok vagy töltés közelében használja.
- Fűnyírást csak napközben vagy kellően erős mesterséges megvilágítás mellett végezzen.
- Kerülje a gép nedves fűben való használatát, amennyiben ez lehetséges.
- Lejtőn való fűnyírásakor mindig bizonyosodjon meg lába kellő megtámasztásáról.
- Sétálva haladjon, soha ne fusson.
- A kerékkel ellátott, forgó mozgást végző gépeknél a lejtőn keresztbe haladjon, ne a lejtés irányában.
- Különösen óvatosan járjon el a lejtőn való irányváltáskor.
- Ne végezzen fűnyírást túl meredek lejtőkön.
- Különösen óvatosan járjon el tolatáskor, illetve amikor a fűnyírót maga felé húzza.
- Várja meg a pengék megállását, ha a fűnyírót egy nem füves területen való áthaladás érdekében meg kell dönteni, illetve amikor a fűnyírót a levágandó területhez/területről szállítja.

- Ne használja a fűnyírót hibás védőelemekkel, illetve biztonsági eszközök nélkül, például nem felszerelt terelőelemekkel és/vagy fűgyűjtővel.
- Vigyázz! A fűnyírót csak akkor működtesse, ha a teljes fűgyűjtő és az önzáró leürítőnyílás védőeleme is a helyén van.
- Ne módosítsa a motor szabályzását, ne pörgesse túl a gépet.
- Ne módosítsa és ne babrálja meg a motorfordulatszám-szabályozó tömített beállítót.
- Ne babrálja meg és ne iktassa ki a fűnyíró biztonsági rendszereit vagy funkcióit.
- A motor beindítása oldja a pengemeghajtás és menetmeghajtás tengelykapcsolóját.
- Ügyelve lábai épségére indítsa be óvatosan a motort az utasítás szerint.
- A motor indítása közben ne billentse meg a fűnyírót.
- Ne indítsa el a motort, amikor a kidobónyílás előtt áll.
- Ne közelítse kezét és lábát forgó alkatrészekhez. A kidobónyílást mindig tartsa szabadon.
- Járó motorú fűnyírót ne emeljen fel, és ne szállítson.
- Állítsa le a motort, és vegye le a gyújtógyertyáról a kábelt, hogy az összes mozgó alkatrész teljesen leálljon. Ha kulccsal indítható, vegye ki a kulcsot:
  - mielőtt eltömődést szüntet meg vagy megtisztítja a kidobónyílást;
  - ellenőrzés, tisztítás vagy a fűnyírón való munkavégzés előtt;
  - idegen testbe való ütközés után. Vizsgálja meg, hogy a fűnyíró nem sérült-e meg, és szükség esetén végezze el a szükséges javításokat az ismételt elindítás és használat előtt;
  - ha a gépen rendellenes vibrációt tapasztal (keresse meg azonnal az okát).
- Állítsa le a motort, és vegye le a gyújtógyertyáról a kábelt, hogy az összes mozgó alkatrész teljesen leálljon. Ha kulccsal indítható, vegye ki a kulcsot:
  - minden esetben, ha felügyelet nélkül hagyja azt;
  - feltöltés előtt.
- A motor leállítása előtt vegye vissza a gázt. Ha a motoron van vanzincsap, zárja el a fűnyírás befejeztével.
- A fűnyírót kizárólag a rendeltetési céljára, azaz fű nyírására és begyűjtésére szabad használni. Bármely egyéb alkalmazás veszélyt hozhat magában, és a készülék sérülését okozhatja.
- A biztonság érdekében cserélje ki a kopott vagy sérült alkatrészeket.
- Az üzemanyagtartályt csak nyílt térben ürítse le.
- A helytelen karbantartás, a nem megfelelő cserealkatrészek használata, illetve a biztonsági alkatrészek eltávolítása vagy módosítása károsíthatja a fűnyírót, és a kezelő súlyos sérülését okozhatja.
- Csak a gyártó által előírt pengéket és tartalék alkatrészeket használja. A nem eredeti alkatrészek használata károsíthatja a fűnyírót, és a kezelő súlyos sérülését okozhatja. Tartsa megfelelő üzemi állapotban a fűnyírót.
- Ha a pengeállító berendezés nem működik, forduljon a szervizközponthoz segítségért.

## Szállítás és kezelés

- Amikor karbantartást végez a gépen, felemeli, szállítja vagy megdönti azt:
  - viseljen vastag munkavédelmi kesztyűt;
  - olyan pontokon fogja meg a gépet, ahol biztonságos fogást talált, figyelembe véve a gép súlyát és súlyelosztását;
  - a gép tömegét, jellemzőit, illetve a hely adottságait is vegye figyelembe a gép mozgatása és szállítása során.
- Szállítás során rögzítse a gépet kötelek vagy láncok segítségével.



**FIGYELEM:** Ne érjen a forgó pengéhez.



**FIGYELEM:** A tankolást jól szellőző helyen, leállított motornál végezze.

## 3. ALKATRÉSZEK LEÍRÁSA (1. és 2. Ábra)

### Felsorolás:

A: Gyertyakulcs

B: Mulcsozó betét

## Karbantartás és tárolás

- A gép biztonságos műszaki állapotának biztosítása érdekében az anyacsavarok és csavarok mindig legyenek meghúzva.
- Ne tárolja a gépet feltöltött benzintartállyal olyan épületen belül, ahol a benzinpára nyílt lánggal vagy szikrával találkozhat.
- Zárt helyen történő tárolás előtt várja meg, amíg a motor lehűl; a fűnyírót megtisztítva és karbantartva tárolja.
- A tűzveszély csökkentése érdekében tisztítsa meg a motort, hangtompítót, akkumulátorrekeszt és a benzintartályt minden rárakódott fűtől, leváltól és felesleges zsírtól.
- Rendszeresen ellenőrizze a fűgyűjtőt, hogy nem kopott vagy sérült-e.

## 4. MŰSZAKI ADATOK

Típus	PLM4120N	PLM4620N
Motor típusa	B&S 500E Sorozat	B&S 625E Sorozat
Önjáró	Nem	Nem
Motor hengerűrtartalma	140 cm <sup>3</sup>	190 cm <sup>3</sup>
Névleges teljesítmény	1,9 kW	2,4 kW
Vágási szélesség	410 mm	460 mm
Alapjáratú fordulatszám	2800/perc	2800/perc
Üzemanyagtartály irtartalma	0,8 l	1,0 l
Olajtartály irtartalma	0,47 l	0,6 l
Fűgújtó irtartalma	50 l	60 l
Nettó tömeg	26,0 kg	31,1 kg
Magasságállítás	25 – 70 mm, 5 beállítás	25 – 70 mm, 5 beállítás
A kezelő helyén garantált zajszint (Az EN ISO 5395-1 „F” függeléke és az EN ISO 5395-2, EN ISO 4871 szerint)	84,6dB(A) (K=3dB(A))	83,5dB(A)(K= 3dB(A))
Mért zajszint	93,4dB(A) K=1,93dB(A)	93,6dB(A) K=2,47dB(A)
Garantált zajszint (A 2000/14/EK szerint)	96dB(A)	96dB(A)
Vibráció (Az EN ISO 5395-1 „G” függeléke és az EN ISO 5395-2 szerint)	5,27 m/s <sup>2</sup> K=1,5m/s <sup>2</sup>	5,738 m/s <sup>2</sup> K=1,5m/s <sup>2</sup>

## 5. ÖSSZESZERELÉS

### 5-1 AZ ÖSSZEHAJTHATÓ TOLÓKAR ÖSSZESZERELÉSE

- A) Rögzítse a tolókar alsó részeit az egységre a két csavarral, az alátétekkel és a rögzítógombokkal az ábrán látható módon. (3. Ábra, 4. Ábra, 5. Ábra, 6. Ábra)
- B) A behajtáshoz lazítsa meg a tolókar felső részét. Csatlakoztassa a tolókar felső részét az alsó részhez a két csavarral, alátéttel és a rögzítógombokkal. (7. Ábra, 8. Ábra, 9. Ábra)
- C) Helyezze az összes bowdenhuzalt a tolókarra. Rögzítse a bowdenhuzalokat a tolókar alsó részére a bilincsekkel úgy, hogy a bowdenek a gép külseje felé legyenek rögzítve. Múshogy elhelyezve a bowdenhuzalok becsípődhetnek a hátsó fedél nyitásakor és csukásakor, vagy a tolókar felső részének behajtásakor. (10. Ábra)

### 5-2 A FÜGYŰJTŐ ÖSSZESZERELÉSE

1. Felhelyezés: Emelje fel a hátsó fedelet, majd akassza a fűgújtót a fűnyíró hátulján a fedél tengelyére. (11. Ábra, 12. Ábra)
2. Eltávolítás: Emelje fel a hátsó fedelet, majd vegye le a fűgújtót.

### 5-3 INDÍTÓFOGANTYÚ

A motorról helyezze át a fogantyút a kötélvezetőhöz. (13. Ábra, 14. Ábra)

### 5-4 A VÁGÁS MAGASSÁGA

Nyomja meg kifelé a kart a kerettől való elemeléshez. A magasság beállításához hajtsa előre vagy hátra a kart. (15. Ábra, és lásd a 8-8. pontot)

## 6. A MEGFELELŐ MAGASSÁG BEÁLLÍTÁSA

- 1) Lazítsa ki az alsó kart rögzítő gombot. (16. Ábra)
- 2) A 17. Ábra szerint, azaz fel-le mozgatva állítsa be a tolókar megfelelő magasságát. 3 különböző magasság állítható be; 1-es fokozatban a legmagasabb, 3-as fokozatban pedig a legalacsonyabb a tolókar talajhoz viszonyított állása.
- 3) Állítsa be a kívánt magasságot, majd rögzítse a tolókart a rögzítógombokkal.



**FIGYELEM:** A tolókar bal és jobb oldalát ugyanabba a magasságba kell beállítani.

## 7. 2 AZ 1-BEN

Ezek a fűnyírók normál funkcióikról az alábbi alkalmazásokra alakíthatók át: Hátsó kidobós fűnyíróra, illetve mulcsozó fűnyíróra. Mi a mulcsozás?

Mulcsozaskor a gép első lépésben levágja a fűvet, ami finomra aprítva ezután visszakerül a gyepre, mint természetes trágya.

Tippek a mulcsozó fűnyíráshoz:

- Rendszeres max. 2 cm-es nyírással alakítson ki 6 cm – 4 cm fűmagasságot.
- Használjon éles vágókést.
- Ne nyírójon nedves fűvet.
- A fűnyírást végezze a motor maximális fordulatszámán.
- Csak munkasebességgel haladjon.
- Rendszeresen tisztítsa a mulcsozó betétet, a ház belső felét és a nyírópengét.

## EGY: Átszerelés mulcsozó fűnyíróra



**FIGYELEM:** Kizárólag leállított motor és álló vágószerkezet esetén végezze az alábbiakat.

1. Emelje fel a hátsó fedelet, és távolítsa el a fűgyűjtőt.
2. Nyomja be a mulcsozó betétet a géptestbe. Rögzítse a mulcsozó betétet a gombbal a géptest nyílásában. (18. Ábra, 19. Ábra)
3. Engedje le a hátsó fedelet.

## KETTŐ: Fűnyírás felszerelt fűgyűjtővel

1. Ha felszerelt fűgyűjtővel szeretne fűvet nyírni, szerelje fel a mulcsozó betétet, és szerelje fel a fűgyűjtőt.
2. Mulcsozó betét eltávolítása:
  - Emelje fel a hátsó fedelet, és vegye ki a mulcsozó betétet.



**FIGYELEM:** Kizárólag leállított motor és álló vágószerkezet esetén végezze az alábbiakat.

## 8. KEZELÉSI UTASÍTÁSOK

### 8-1 INDÍTÁS ELŐTT

Ellenőrizze a benzint és olajat, szükség esetén tölts fel a motor fűnyíróhoz mellékelt különálló kezelési utasítása alapján. Az utasításokat figyelmesen olvassa el.



**FIGYELEM:** A benzin rendkívül gyúlékony. Benzint kizárólag erre a célra készített edényben tároljon. A tankolást szabad téren végezze, még a motor beindítása előtt. Ne dohányozzon, amíg üzemanyaggal foglalkozik.

Ne vegye le a tanksapkát, és ne tankoljon járó motor mellett, és amíg a motor le nem hűlt.

Ha mellél a benzin, ne indítsa be a gépet a tankolás helyén, hanem tolja arrébb, és kerülje a nyílt lángot és egyéb gyújtó jellegű tevékenységet a környéken, amíg a benzin el nem párolog.

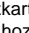
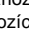
Zárja vissza biztonságosan a tanksapkát és a benzinkanna fedelét.

Mielőtt a penge karbantartására vagy olajcsere miatt felbillentené a fűnyírót, ürítse le a benzint a tartályból.



**FIGYELEM:** Ne tankoljon zárt helyen, járó motor mellett vagy amíg a motor forró. Használat után hagyja a motort legalább 15 percig hűlni.

### 8-2 A MOTOR BEINDÍTÁSA ÉS A PENGE ELINDÍTÁSA

1. A fűnyíró gyújtógyertyáján gumisapka található. Ellenőrizze, hogy a gyertyakábel végén (a gumisapkán belül) található fémhurok biztonságosan rögzül a gyújtógyertya fémhegységben.
2. A motor beindítása előtt 3–5 alkalommal nyomja meg a kézi szívatót. (20. Ábra)
3. Hideg motor indításakor állítsa a gázkart „” pozícióba. A meleg motor beindításához és a fűnyíráshoz állítsa a gázkart „” pozícióba. (21. Ábra)

4. A gép mögött állva húzza meg a leállító kart, és tartsa a tolókarhoz húzva, lásd a 22. Ábra.
5. Fogja meg az indítófogantyút a 22. Ábra szerint, és húzza meg határozottan. Ha a motor beindult, lassan engedje vissza a kart a kötélvezetőhöz. A motor és a penge leállításához engedje el a leállító kart.



Ügyelve lábai épségére indítsa be óvatosan a motort az utasítás szerint.



A motor indítása közben ne billentse meg a fűnyírót. A fűnyírót vízszintes talajon indítsa be, ahol nincs magas fű és egyéb akadály.



Ne közelítsen kezével és lábával a forgó részekhez. Ne indítsa el a motort, amikor a kidobónyílás előtt áll.

### 8-3 HASZNÁLAT

Fűnyírás közben tartsa szorosan, két kézzel a leállító kart.



**Megjegyzés:** Ha fűnyíráskor elengedi a leállító kart, a motor leáll, így a fűnyíró működése is befejeződik.



**FIGYELEM!** A fűnyíró véletlen beindulásának elkerülése érdekében a gépet egy motorfékkel szerelték fel, amelyet vissza kell húzni a motor beindítása előtt. A motorszabályozó kar kiengedése után vissza kell térnie a kezdeti helyzetébe, ennél a pontnál a motor automatikusan kikapcsol.



**Megjegyzés:** Motorfék (fékkar): A karral állítsa le a motort. A kar elengedésekor a motor és a penge automatikusan leáll. Fűnyíráshoz tartsa a kart üzemi helyzetben. A fűnyírás elkezdése előtt ellenőrizze többször az indító-/leállítókart, és győződjön meg arról, hogy az megfelelően működik. Győződjön meg arról, hogy a feszítőkábel egyenletesen működtethető (azaz nem akad be vagy csavarodik meg).

### 8-4 A MOTOR LEÁLLÍTÁSA



**VIGYÁZAT:** A motor leállása után a penge még pár másodpercig tovább forog.

1. A motor és a penge leállításához engedje el a leállító kart.
2. Kösse le, és testelje a gyertyakábel a motorhoz tartozó külön utasítás szerint, hogy megelőzhető legyen a felügyelet nélkül hagyott gép véletlen beindítása.

### 8-5 A LEGJOBB EREDMÉNY ELÉRÉSE FŰNYÍRÁSKOR

Távolítsa el a hulladékokat a gyepről. A nyírandó gyeppen ne legyen kő, fadarab, huzal vagy egyéb olyan tárgy, amit a fűnyíró bármilyen irányba kidobhat, és ezzel súlyos személyi sérülést okozhat a kezelőnek és a közelben tartózkodó személyeknek, valamint amitől anyagi kár keletkezhet. Ne nyírjon nedves fűvet. A hatékony fűnyírás



érdekében ne nyírjon nedves fűvet, mert az a géptest aljára ragadhat, ami akadályozza a megfelelő nyírást. A fű hosszának maximum 1/3-át nyírja le.

Fűnyíráskor a javasolt vágási hossz a fű hosszának 1/3-a.

Válassza meg úgy a haladási sebességet, hogy az összeaprított fű egyenletesen terüljön el a gyepon.

Nagyra nőtt, sűrű gyepről nyírásakor különösen fontos a lassú haladás, hogy a gépnek legyen ideje az egyenletes magasságú vágásra. Hosszúra nőtt fű nyírásakor célszerű két menetben végezni a nyírást: a második menetben nyírja le a fű újabb 1/3-át, lehetőleg az előző menethez képest más irányban.

A menetekben kis mértékű átfedés szintén segít az egyenletes és tiszta vágású gyepről kialakításában. A fűnyírót a legjobb vágási eredmény és a hatékony mulcsozás érdekében üzemeltesse mindig teljes gázzal. Tisztítsa meg a géptest alját.

Minden fűnyírás után tisztítsa meg a gép alját, mert a lerakódott fű akadályozza a megfelelő mulcsozó aprítást. Levelek vágása: A levelek mulcsozása szintén jól tesz a gyepeknek. Csak száraz, a gyepon nem túl vastag rétegben elterülő leveleket dolgozzon fel a fűnyíróval. Ne várja meg a mulcsozással, hogy az összes levél lehulljon a fákról.



**FIGYELEM:** Ha idegen tárgyba ütközött, állítsa le a fűnyírót. Vegye le a gyertyakábel, és alaposan vizsgálja át a gépet, nem sérült-e meg. Az újraindítás és a munka folytatása előtt javítsa ki az esetleges sérüléseket. A működés közben tapasztalható erős rezgés károsodásra utal. A gépet ilyen esetben azonnal át kell vizsgálni, és meg kell javítani.

## 8-6 FÜGYŰJTŐ

Újítsa ki és tisztítsa ki a fűgyűjtőt. Ellenőrizze a tisztaságát és a háló megfelelő szellőzését. (23. Ábra)

## 8-7 GÉPTEST

Minden használat után tisztítsa le a géptest aljáról a ráakadott fűvet, leveleket, szennyeződést és egyéb anyagokat. A felgyűlő, nem letakarított szennyeződés korróziót okozhat, emellett a mulcsozó aprítást is gátolja. A tisztításhoz billentse fel a fűnyírót, és kaparja le a szennyeződést egy megfelelő eszközzel (a gyertyakábel előtté feltétlenül vegye le).

## 8-8 NYÍRÁSI MAGASSÁG BEÁLLÍTÁS



**VIGYÁZAT:** A fűnyírón bármilyen beállítást csak leállított motor és eltávolított gyertyakábel mellett végezzen.



**VIGYÁZAT:** A nyírási magasság beállítása előtt állítsa le a gépet, és kösse le a gyertyakábel. A fűnyíró központi magasságállítással rendelkezik, amely 5 magassági helyzet beállítását teszi lehetővé.

1. A nyírási magasság beállítása előtt állítsa le a gépet, és kösse le a gyertyakábel.
2. A központi magasságállító kar 5 különböző helyzetbe állítható be.
3. A vágási magasság beállításához nyomja a kerék felé a kart, és állítsa feljebb vagy lejjebb a kiválasztott

magasságba (24. Ábra). Minden kerék azonos magasságba áll be.

## 9. KARBANTARTÁS

### GYŰJTŐGYERTYA

Csak eredeti pótalkatrész gyűjtőgyertyát használjon. A legjobb eredmény érdekében minden 100 óra használat után cseréljen gyűjtőgyertyát. (lásd a MOTOR KEZELÉSI UTASÍTÁST)

### FÉKBETÉTEK

Rendszeresen ellenőriztesse és/vagy cseréltesse ki a motorfékbetéteket; csak eredeti alkatrészeket használjon cserealkatrészként.

## 10. KENÉSI UTASÍTÁSOK



**VIGYÁZAT:** A KARBANTARTÁSI MUNKÁK MEGKEZDÉSE ELŐTT KÖSSÉ LE A GYERTYAKÁBELT.

1. KERÉKEK—Kenje meg a kerekek golyóscsapágyát kis viszkozitású kenőolajjal szezononként legalább egyszer.
2. MOTOR—A kenési utasításokat megtalálja a motor kézikönyvében.
3. LEÁLLÍTÓ MECHANIZMUS—Olajozza meg híg kenőolajjal a leállító kar csuklóit és a kábelét, szezononként legalább egyszer. A leállító karnak mindkét irányban akadálytalanul kell mozognia.

## 11. TISZTÍTÁS



**VIGYÁZAT:** Ne mossa a motort vízsugárral. A víz károsíthatja a motort, és elszennyezheti az üzemyangrendszert.

1. A gépetest törölje le törlőronggyal.
2. A gépet felbillentve, hogy a gyűjtőgyertya felfele nézzen, vízsugárral lemoshatja a gép alját.

### 11-1 A MOTOR LÉGSZŰRŐJE




**VIGYÁZAT:** Ügyeljen arra, hogy a légszűrő szivacsbetétjét ne tömítse el por és egyéb szennyeződés.

A légszűrőbetétén 25 órányi normál fűnyírás után végezzen karbantartást (tisztítsa ki). Száraz, poros környezetben történő használat esetén a légszűrőbetétet tisztítsa gyakrabban. (lásd a MOTOR KEZELÉSI UTASÍTÁST)


### A LÉGSZŰRŐ TISZTÍTÁSA


1. PLM4120N típusok esetében: Emelje meg a füleket a szűrőfedél tetején. PLM4620N típusok esetében: Távolítsa el a csavart.
2. Távolítsa el a fedelet.
3. Mossa ki a betétet szappanos vízben. **NE HASZNÁLJON BENZINT!**
4. Szárítsa meg a betétet.

- Cseppentsen pár csepp SAE30 motorolajat a betétre, majd csavarja ki belőle a felesleget.
- Szerelje vissza a szűrőbetétet.
- Zárja be a szűrő burkolatát.

 **MEGJEGYZÉS:** Cserélje ki a betétet, ha foszlik, elszakadt, megsérült vagy nem lehet kitisztítani. **(A 25. Ábra a PLM4120N típus mutatja.)**

## 11-2 VÁGÓPENGE

 **VIGYÁZAT:** A motor véletlen beindulását megelőzendő feltétlenül kösse le, és tesztelje a gyertyakábelét, mielőtt a vágópengén dolgozni kezdene. Keze védelmében viseljen erős védőkesztyűt, vagy egy ronggyal fogja meg a vágópengét. Billentsen fel a fűnyíró a motor kézikönyvében ismertetett módon. Távolítsa el a pengét és a penge adapterét a főtengelyhez rögzítő hatlapfejű anyát és az alátétet. Szerelje le a pengét és az adaptert a főtengelyről.

 **FIGYELEM:** Ellenőrizze rendszeresen a pengeadaptert repedés szempontjából, különösen, ha a penge idegen tárgynak ütközött. Szükség esetén cserélje ki.

A legjobb eredmény érdekében éles pengével dolgozzon. A pengét a megélezéshez szerelje le, majd az élet az eredeti kialakítást leginkább megközelítő módon köszörülje vagy reszelje élesre. A kiegyensúlyozatlanság elkerülése érdekében rendkívül fontos, hogy a penge minden vágóéle azonos mértékű megmunkálást kapjon. A kiegyensúlyozatlan penge túlzott vibrációt kelt, ami a motor és az egész fűnyíró idő előtti tönkremenetelét okozhatja. Élesítés után gondosan egyensúlyozza ki a pengét. A penge kiegyensúlyozottsága hengeres szárú csavarhúzóval ellenőrizhető. A nehéz oldalról köszörüljön le annyi anyagot, amivel az egyensúly helyreáll.

### (26. Ábra)

A penge és a pengeadapter visszaszerelése előtt kenje meg a főtengelyt és a pengeadapter belső felületét kis viszkozitású kenőolajjal. Szerelje be a pengeadaptert a főtengelyre. Lásd a **26. Ábra**. A pengét a cikkszámával kifelé helyezze az adapterre. Illesze az alátétet a pengére, és szerelje be a hatlapfejű csavart. Húzza meg a csavart az előírt nyomatékkal, lásd alább.

## 11-3 PENGE MEGHÚZÁSI NYOMATÉKA

A középső csavart 35–45 Nm nyomatékkal kell meghúzni. A gép biztonságos működésének feltételei. Rendszeresen ellenőrizze az ÖSSZES anyát és csavart megfelelően meghúzott állapotát. Hosszabb használat után, különösen homokos talaj esetén a penge elkophat, elvesztheti eredeti alakját. A vágás hatékonysága csökken, a pengét ki kell cserélni. A pengét csak jóváhagyott gyári pótpengére cserélje. A penge kiegyensúlyozatlanságából eredő esetleges károkért a gyártó nem vállal felelősséget. Ha pengét kell cserélni, csak jelzéssel ellátott, eredeti pótalkatrészt használjon (MAKITA 263001433 a PLM4120N-hoz; MAKITA 263001451 a PLM4620N-hoz)

(penge rendelésekor forduljon a márkakereskedőhöz, vagy hívjon fel bennünket).



**FIGYELEM:** Ne érjen a forgó pengéhez.

## 11-4 MOTOR

A motor karbantartási utasításait a motor különálló kézikönyvében megtalálja.

A motorolaj tekintetében járjon el a motor különálló kézikönyvében olvasható utasítások szerint.

Olvassa el körültekintően, és kövesse az utasításokat.

A légszűrő karbantartása tekintetében normál körülmények esetén járjon el a motor különálló kézikönyvében olvasható utasítások szerint. Különösen poros környezetben történő használat esetén néhány óránként tisztítsa ki a légszűrőt. A légszűrő esedékes tisztítását a motor csökkenő teljesítménye és a légszűrő csöpögése jelzi.

A légszűrő karbantartása tekintetében esetén járjon el a motor különálló kézikönyvében olvasható utasítások szerint.

Szezononként egy ízben tisztítsa ki a gyújtógyertyát, és állítsa be az elektródahézagot. Gyújtógyertyát fűnyírási szezon előtt cseréljen; a gyújtógyertya típusát és az elektródahézag értékét megtalálja a motor kézikönyvében.

Tisztítsa meg rendszeresen a motort törőronggyal vagy kefével. A hűtőrendszert (ventilátorház környéke) tartsa tisztán, hogy biztosítva legyen a motor megfelelő működéséhez és kellően hosszú élettartamához szükséges légáramlás. A kipufogó környékéről mindig távolítsa el a fűvet, szennyeződést és éghető anyagokat.

## 12. TÁROLÁS (SZEZONON KÍVÜL)

A fűnyíró megfelelő tárolásához az alábbi lépések szükségesek.

- A szezonban végzett utolsó fűnyírást után ürítse ki teljesen a benzintartályt.
  - Szivattyúval ürítse ki a benzintartályt.



**VIGYÁZAT:** Ne zárt helyiségben, vagy nyílt láng közvetlen közelében eressze le a benzint stb. Tilos a dohányzás! A benzingőzök berobbanhatnak, tüzet okozhatnak.

- A benzin leeresztése után indítsa be a motort, és járassa egészen addig, amíg az felhasználja az összes benzint, és magától leáll.
  - Távolítsa el a gyújtógyertyát. Olajozókannával töltsön kb. 20 ml olajat az égéstérbe a gyertyafuraton keresztül. Az indítókérel meghúzásával osszassa el egyenletesen a betöltött olajat az égéstérben. Csavarja vissza helyére a gyújtógyertyát.
- Alaposan tisztítsa meg, és kenje meg a fűnyíró a korábban a „KENÉSI UTASÍTÁSOK” pontban ismertetett módon.
  - A korrózió elkerülésére vékonyan zsírozza be a vágószerszemetet.
  - A fűnyíró tárolja száraz, tiszta, fagymentes, jogosulatlan személyek által nem hozzáférhető helyen.



**VIGYÁZAT:** A fűnyíró tárolóhelyre helyezése előtt hagyja teljesen lehűlni a motort.



**MEGJEGYZÉS:**

Ha nem szellőző helyen tárol bármilyen motorral hajtott berendezést;

- Ügyeljen a berendezések korrózió elleni védelmére. Vonja be vékony réteg szilikonolajjal a berendezéseket, különös tekintettel a bovdenekre és mozgó alkatrészekre.

- Ügyeljen arra, hogy a bovdenek és egyéb kábelek ne törjenek meg, ne csipődjenek be.
- Ha az indítókötél kiadna a fogantyún található vezetéből, kösse ki, és tesztelje a a gyertyakábel, húzza be a pengevezérlő fogantyút, és húzza ki lassan a motorból az indítókötetet. Csúsztassa be a kötelet a fogantyún található kötélvezetőbe.

**Szállítás**

Kapcsolja ki a motort, és hagyjon időt, hogy lehűljön. Ezt követően a motor kézikönyvében leírt utasítások szerint válassza le a gyújtógyertyák vezetékét, és ürítse le az üzemanyagtartályt. Ügyeljen arra, hogy ne hajlítsa, illetve sértse meg a vágót, amikor a fűnyírót akadályok felett tolja át.

**13. HIBAELHÁRÍTÁS**

PROBLÉMA	LEHETSÉGES OK	JAVÍTÓ MŰVELET
A motor nem indul be.	A gázkar nem az indítási feltételeknek megfelelő helyzetben áll.	Állítsa a gázkart a megfelelő helyzetbe.
	Kiürült a benzintank.	Tankolja fel a gépet. lásd a MOTOR KEZELÉSI UTASÍTÁSÁT.
	Elszennyeződött a légszűrőbetét.	Tisztítsa ki a légszűrőbetétet: lásd a MOTOR KEZELÉSI UTASÍTÁSÁT.
	Kilazult a gyújtógyertya.	Húzza meg a gyújtógyertyát 25 - 30 Nm nyomatékkal.
	A gyertyakábel lelazult, vagy levált a gyertyáról.	Tegye vissza a gyertyakábel a gyújtógyertyára.
	Nem megfelelő a gyertyahézag.	Állítsa be az elektródák hézagát 0,7 - 0,8 mm értékűre.
	Hibás a gyújtógyertya.	Szerelje be egy új, megfelelő hézagúra beállított gyújtógyertyát: lásd a MOTOR KEZELÉSI UTASÍTÁSÁT.
	A karburátor túltöltődött benzinnel.	Szerelje ki a légszűrőbetétet, az indítókötél folyamatos használatával forgassa át párszor a motort, hogy karburátor kiszellőzhessen, majd szerelje vissza a légszűrőbetétet.
	Hibás gyújtómodul.	Forduljon a Makita hivatalos szervizképviselőéhez.
A motort nehéz beindítani, vagy nincs elég teljesítménye.	Szennyeződés, víz vagy lerakódás a benzintankban.	Ürítse le az üzemanyagot, és tisztítsa ki a tartályt. Tankoljon tiszta, friss benzint.
	Eltömődött a tanksapka szellőzőfurata.	Tisztítsa ki, vagy cserélje le a tanksapkát.
	Elszennyeződött a légszűrőbetét.	Tisztítsa ki a légszűrőbetétet.
A motor egyenetlenül működik.	Hibás a gyújtógyertya.	Szerelje be egy új, megfelelő hézagúra beállított gyújtógyertyát: lásd a MOTOR KEZELÉSI UTASÍTÁSÁT.
	Nem megfelelő a gyertyahézag.	Állítsa be az elektródák hézagát 0,7 - 0,8 mm értékűre.
	Elszennyeződött a légszűrőbetét.	Tisztítsa ki a légszűrőbetétet: lásd a MOTOR KEZELÉSI UTASÍTÁSÁT.
Gyenge az alapjárat.	Elszennyeződött a légszűrőbetét.	Tisztítsa ki a légszűrőbetétet: lásd a MOTOR KEZELÉSI UTASÍTÁSÁT.
	Eltömődtek a motorburkolat szellőzőnyílásai.	Távolítsa el a szennyeződések a nyílásokból.
	Eltömődtek a hűtőbordák és a légjáratok a légűtő ház alatt.	Távolítsa el a szennyeződések a bordák közül és a légjáratokból.
A motor magas fordulatszámra kihagy.	Túl kicsi a gyertyahézag.	Állítsa be az elektródák hézagát 0,7 - 0,8 mm értékűre.

PROBLÉMA	LEHETSÉGES OK	JAVÍTÓ MŰVELET
A motor túlmelegszik.	A hűtőlevegő útja elzáródott.	Távolítsa el a szennyeződések a bordák közül és a légjáratokból.
	Nem megfelelő a gyertyahézag.	A PLM4120N-as esetén RC12YC vagy QC12YC gyújtógyertyát és hűtőbordákat szereljen fel a motorra. A PLM4620N-as modellhez szereljen be RJ19LMC típusú gyújtógyertyát, és tisztítsa meg a hűtőbordákat.
A fűnyíró rendellenesen vibrál.	Lelazult a vágópenge.	Húzza meg a pengét.
	A vágópenge kiegyensúlyozatlan.	Egyensúlyozza ki a pengét.

## 14. KÖRNYEZET

Ha a gép elérte élettartama végét, ne kezelje háztartási hulladékként, selejtezze környezetbarát módon.

### Csak európai országokra vonatkozóan

#### EK Megfelelőségi nyilatkozat

#### A Makita kijelenti, hogy a következő gép(ek):

Gép megnevezése:

Benzinmotoros fűnyíró

Típus sz./ Típus: PLM4120N, PLM4620N

Műszaki adatok: Lásd „4. MŰSZAKI ADATOK”

#### megfelel a következő európai előírásoknak:

2004/108/EK, 2006/42/EK, 2000/14/EK és 2005/88/EK

Gyártásuk a következő szabványoknak vagy előírásoknak megfelelően történik:

EN ISO 5395-1, EN ISO 5395-2, EN ISO 14982

A 2006/42/EK irányelv szerinti műszaki dokumentáció a következő címről szerezhető be:

Makita, Jan-Baptist Vinkstraat 2, 3070, Belgium

A 2000/14/EK irányelv által előírt megfelelésértékelési eljárás a VI. melléklet szerint történt.

Tanúsító testület:

TÜV SÜD Industrie Service GmbH

Westendstrasse 199, D-80686 München,

Németország

Azonosító szám: 0036

PLM4120N

Mért hangteljesítményszint: 93,4 dB

Garantált hangteljesítményszint: 96 dB

PLM4620N

Mért hangteljesítményszint: 93,6 dB

Garantált hangteljesítményszint: 96 dB

22.8.2014



Yasushi Fukaya

Igazgató

Makita, Jan-Baptist Vinkstraat 2, 3070, Belgium

**Vysvetlenie všeobecného pohľadu**

- |                                   |                             |                            |
|-----------------------------------|-----------------------------|----------------------------|
| 1. Horná rukoväť                  | 6. Lapač trávy              | 11. Uzáver olejovej nádrže |
| 2. Rukoväť s ovládaním zastavenia | 7. Páčka nastavenia výšky   | 12. Káblková svorka        |
| 3. Páčka sýtiča                   | 8. Plošina                  | 13. Poistný otočný gombík  |
| 4. Rukoväť štartéra               | 9. Zapaľovacia sviečka      | 14. Vysoké otáčky          |
| 5. Vodiaci prvok lanka            | 10. Uzáver palivovej nádrže | 15. Nízke otáčky           |

**VÝSTRAHA**

Kvôli vlastnej bezpečnosti si prečítajte tento návod skôr, ako sa pokúsite obsluhovať svoje nové zariadenie. Nedodržanie pokynov môže mať za následok vážne zranenie osôb. Venujte určitý čas a oboznámte sa pred každým použitím s kosačkou. Uchovávajte tento návod na bezpečnom mieste, aby boli tieto informácie vždy k dispozícii. Ak odovzdáte toto zariadenie inej osobe, odovzdajte jej aj tento návod na obsluhu a bezpečnostné predpisy.

**Zamýšľané použitie**

Toto zariadenie sa smie používať len na úlohy, na zvládnutie ktorých je určené. Akékoľvek iné použitie sa bude považovať za prípad nesprávneho použitia. Používateľ/obsluha a nie výrobca budú niesť zodpovednosť za akúkoľvek škodu alebo akékoľvek zranenia akéhokoľvek druhu spôsobené v jeho dôsledku. Táto benzínová kosačka na trávnu je určená na súkromné používanie, t.j. na používanie v domácom a záhradnom prostredí.

Súkromné používanie kosačky na trávnu znamená celoročnú prevádzkovú dobu, ktorá vo všeobecnosti nepresiahne 50 hodín, pričom sa zariadenie používa predovšetkým na údržbu maloplošných trávnikov v obytných štvrtiach a domácich/záujmových záhrad. Verejné priestranstvá, športové haly a poľnohospodárske/lesné aplikácie sú vylúčené.

Vezmite, prosím, do úvahy, že naše zariadenie nie je určené na používanie v komerčných, podnikateľských či priemyselných aplikáciách. Naša záruka stratí platnosť, ak sa toto zariadenie použije na komerčné, podnikateľské alebo priemyselné či ekvivalentné účely.

Návod na obsluhu tak, ako ho dodal výrobca, sa musí uchovávať a používať s cieľom zaistiť to, aby sa kosačka na trávnu správne používala a aby sa na nej vykonávala údržba správnym spôsobom. Tento návod obsahuje cenné informácie týkajúce sa podmienok pri obsluhu, údržbe a servise.

**Dôležité upozornenie:** Kvôli vysokému riziku zranenia používateľa sa kosačka na trávnu nesmie používať na úpravu krov, živých plotov alebo krovia, na kosenie stupňovitej vegetácie, vysadených striech alebo trávnikov pestovaných na balkónoch, na odstraňovanie (odsávanie) nečistoty a malých úlomkov z chodníkov, či osekávanie odrezkov zo stromov alebo živých plotov. Navyše, kosačka na trávnu sa nesmie používať ako výkonový kultivátor na vyrovnávanie zvýšeného terénu, ako napríklad v prípade krtincov.

Z bezpečnostných dôvodov sa kosačka na trávnu nesmie používať ako hnacia jednotka pre iné pracovné náradia či súpravy nástrojov akéhokoľvek druhu.

**1. SYMBOLY VYZNAČENÉ NA VÝROBKU (na zadnom kryte)**

Prečítajte si návod na obsluhu.



Zabráňte prístupu okolostojacich.



Viac pozornosti venujte rukám a nohám obsluhy, aby ste predišli poraneniam.



Jedovaté výpary; neprevádzkujte v interiéri.



Palivo je horľavé; zabráňte prístupu ohňa. Palivo nepridávajte keď motor beží.



Počas kosenia používajte okuliare a ochranu uší s cieľom chrániť samotnú obsluhu.



Počas vykonávania opráv demontujte zapaľovaciu sviečku a následne vykonajte opravu podľa návodu na obsluhu.



Upozornenie: Motor je horúci.



Motor zastavíte uvoľnením rukoväte s prepínačom.

## 2. VŠEOBECNÉ BEZPEČNOSTNÉ PRAVIDLÁ



**VÝSTRAHA:** Pri používaní benzínového náradia je nutné vždy dodržiavať základné bezpečnostné opatrenia s cieľom znížiť riziko vážnych osobných poranení a/alebo poškodenia jednotky. Všetky tieto pokyny si prečítajte pred prevádzkovaním tejto jednotky a tieto pokyny uschovajte pre možnú potrebu v budúcnosti.



**VÝSTRAHA:** Toto strojné zariadenie počas svojej prevádzky produkuje elektromagnetické pole. Toto pole môže v niektorých prípadoch ovplyvňovať činnosť aktívnych alebo pasívnych zdravotných implantátov. Aby sa znížilo riziko vážnych alebo smrteľných úrazov, odporúčame osobám, ktoré používajú zdravotné implantáty, aby sa pred prevádzkovaním tohto strojného zariadenia poradili so svojim lekárom alebo s výrobcom zdravotného implantátu.

### Zaškolenie

- Tieto pokyny si dôkladne prečítajte. Oboznámte sa s ovládačmi a správnym používaním zariadenia. Naučte sa rýchlo zastaviť motor.
- Kosačku používajte len na účel, na ktorý bola navrhnutá, a to na kosenie a zber trávy. Akékoľvek iné použitie môže mať za následok poškodenie stroja. Príklady nesprávneho použitia môžu zahŕňať, ale nie sú obmedzené len na:
  - prepravu osôb, detí alebo zvierat na stroji;
  - prepravu iným strojom;
  - používanie stroja na ťahanie alebo tlačenie nákladov;
  - používanie stroja na zber lístia alebo úlomkov;
  - používanie stroja na strihanie živých plotov alebo na kosenie inej vegetácie než trávy;
  - používanie stroja viac než jednou osobou;
  - používanie čepele na iných než trávnatých povrchoch.
- Nikdy nedovoľte, aby deti alebo osoby, ktoré neboli oboznámené s týmito pokynmi používali kosačku. Miestne nariadenia môžu obmedzovať vek obsluhy.
- Kosačku nikdy nepoužívajte:
  - ak stoja v blízkosti osoby, hlavne deti alebo zvieratá;
  - ak obsluha požila liek alebo látky, ktoré môžu znížiť jej schopnosť reagovať a sústrediť sa.
- Berte do úvahy, že obsluha alebo používateľ je zodpovedný za nehody alebo riziká vznikajúce vo vzťahu k ostatným osobám alebo k ich majetku.
- Obsluha musí absolvovať zodpovedajúce školenie týkajúce sa používania, nastavovania a obsluhy tohto zariadenia, vrátane zakázaných úkonov.

### Príprava

- Počas kosenia vždy používajte pevnú obuv a dlhé nohavice. Zariadenie neobsluhujte pokiaľ ste bosí alebo máte sandále.

- Dôkladne skontrolujte miesto používania zariadenia a odstráňte všetky predmety, ako sú kamene, hračky, palice a drôty, ktoré by zariadenie mohlo vymrštiť.
- **VÝSTRAHA** - benzín je veľmi horľavý.
  - palivo skladujte v nádobách špeciálne navrhnutých na tento účel;
  - palivo doplňajte v exteriéri a počas doplňania paliva nefajčite;
  - palivo doplňajte pred naštartovaním motora. Nikdy nenesímajte uzáver palivovej nádrže ani nepridávajte benzín pokiaľ motor beží, alebo pokiaľ je motor horúci;
  - pokiaľ dôjde k rozliatiu benzínu, nepokúšajte sa naštartovať motor, ale stroj preneste do dostatočnej vzdialenosti od miesta rozliatia a zabráňte vzniku zdroja zapálenia, a to až dokiaľ sa benzínové výpary nerozptýlia;
  - uzáver palivovej nádrže a nádoby bezpečne nasadte naspäť.
- Vymeňte chybné tlmiče.
- Pred používaním vždy vizuálne skontrolujte a presvedčte sa, že čepele, skrutky čepeľí a montážna zostava rezača nie sú opotrebované alebo poškodené. Aby ste zachovali vyváženú, vymieňajte naraz celú sadu opotrebovaných alebo poškodených čepeľí a skrutiek.
- Pravidelne vykonávajte kontrolu, aby ste sa uistili, že všetky blokovania spúšťania a ovládacie prvky na kontrolu prítomnosti obsluhy fungujú správne.

### Prevádzka

- Motor neprevádzkujte v uzavretom priestore, kde môže dôjsť k nahromadeniu nebezpečných výparov oxidu uhľohnatého.
- Nepoužívajte zariadenie, keď ste unavení, chorí alebo pod vplyvom alkoholu alebo iných omamných látok.
- **Výstraha!** Nepoužívajte kosačku na trávu, keď existuje riziko vznietenia.
- Odporúča sa obmedziť dobu činnosti, aby sa minimalizovalo riziko vyplývajúce z pôsobenia hluku a vibrácií.
- Dávajte pozor pri používaní kosačky na trávu na svahoch a blízko útesov, priekop alebo násypov.
- Koste iba pri dennom svetle alebo pri dobrom umelom osvetlení.
- Pokiaľ je to možné, vyhnite sa prevádzkovaniu zariadenia v mokrej tráve.
- Na svahoch vždy zaujmite stabilný postoj.
- Kráčajte a nikdy nebežte.
- Pokiaľ ide o kolesové rotačné stroje, koste pozdĺž čela svahov a nikdy nie nahor a nadol.
- Pri zmene smeru na svahoch dávajte maximálny pozor.
- Nekoste nadmerne strmé svahy.
- Pri pohybe smerom dozadu alebo pri ťahaní kosačky k sebe dávajte maximálny pozor.
- Čepeľ(e) zastavte pred sklopením kosačky kvôli prenosu cez netravnaté miesta a pred prenášaním kosačky na a z miesta kosenia.
- Kosačku nikdy nepoužívajte, pokiaľ sú poškodené jej chrániče, alebo bez namontovaných bezpečnostných zariadení, napríklad vychyľovačov a/alebo lapačov trávy.

- Upozornenie: Kosačka na trávu sa nesmie používať bez namontovaného kompletného lapača trávy alebo samozatváracieho krytu vyprázdňovacieho otvoru.
  - Nemeňte nastavenia regulátora motora ani maximálne otáčky motora.
  - Nevykonaвайте zmenu ani nezasahujte do žiadneho pevného nastavenia ovládania rýchlosti otáčok motora.
  - Je zakázané zasahovať do bezpečnostných systémov alebo funkcií kosačky alebo ich vyradovať z činnosti.
  - Pred naštartovaním motora vyraďte všetky čepele a spojky pohonu.
  - Motor naštartujte bezpečne podľa pokynov, pričom nohu majte v dostatočnej vzdialenosti od čepele(i).
  - Kosačku neskláľajte pri štartovaní motora.
  - Nespúšťajte motor pokiaľ stojíte pred vyprázdňovacím žľabom.
  - Ruky ani nohy nestrkajte do blízkosti alebo pod rotujúce časti. Počas celej doby zabezpečte aby sa vyprázdňovací otvor nezanášal.
  - Nikdy pri spustenom motore kosačku nezdvíhajte ani neprenášajte.
  - Zastavte motor a odpojte drôt zapaľovacej sviečky, presvedčte sa, že všetky pohyblivé časti sa úplne zastavili a pokiaľ je kosačka vybavená kľúčikom, kľúčik vyberte:
    - pred odstránením zablokovania alebo čistením zanesenia žľabu;
    - pre vykonávaním kontroly, čistenia zanesenia alebo prácou na kosačke;
    - po naranení na cudzí predmet. Pred opätovným naštartovaním a prevádzkovaním kosačky skontrolujte kosačku z pohľadu poškodenia a opravte ju:
      - ak kosačka začne neštandardne vibrovať (okamžite skontrolujte).
  - Zastavte motor a odpojte drôt zapaľovacej sviečky, presvedčte sa, že všetky pohyblivé časti sa úplne zastavili a pokiaľ je kosačka vybavená kľúčikom, kľúčik vyberte:
    - vždy, keď kosačku opúšťať a;
    - pred doplnením paliva.
  - Počas dobehu motora uberte sýtič a ak je motor vybavený s uzatváracím ventilom, v závere kosenia vypnite prívod paliva.
  - Kosačku používajte jedine na účel, pre ktorý bola navrhnutá, a to na kosenie a zber trávy. Akékoľvek iné použitie môže mať za následok poškodenie stroja.
- Opatrebované alebo poškodené súčasti z bezpečnostných dôvodov vymeňte.
  - Ak musíte vyprázdniť palivovú nádrž, vykonajte to vonku.
  - Nesprávna údržba, použitie nekonformných náhradných komponentov alebo odstránenie či úprava bezpečnostných komponentov môžu poškodiť kosačku a vážne zraniť obsluhu.
  - Používajte len odporúčané nože a náhradné diely od výrobcu. Použitie neoriginálnych dielov môže poškodiť zariadenie a zraniť obsluhu. Kosačku udržiavajte v dobrom pracovnom stave.
  - Ak zariadenie na zastavenie noža nepracuje, požiadajte servisné stredisko o pomoc.

## Preprava a manipulácia

- Ak so strojom manipulujete, zdvíhate ho, prepravujete ho alebo ho nakláňate, musíte:
  - používať hrubé pracovné rukavice;
  - uchopiť stroj v bodoch, ktoré poskytujú bezpečné uchopenie, pričom zohľadnite hmotnosť a jej rozloženie;
  - využiť vhodný počet osôb vzhľadom na hmotnosť stroja a charakteristiky vozidla alebo miesta, kde bude uložený alebo prenesený.
- Počas prepravy stroj bezpečne upevnite lanami alebo reťazami.



**VÝSTRAHA:** Nedotýkajte sa rotujúcej čepele.



**VÝSTRAHA:** Palivo dopĺňajte na dobre vetranom mieste a pri zastavenom motore.

## 3. POPIS SÚČASTÍ (Obr. 1 a 2)

### Obsahuje

- A: Kľúč na zapaľovaciu sviečku
- B: Mulčovací klin

## Údržba a skladovanie

- Všetky matice a skrutky majte dotiahnuté, aby ste mali istotu, že zariadenie je v bezpečnom pracovnom stave.
- Zariadenie nikdy neskladujte s benzínom v nádrži vo vnútri budovy, kde sa výpary môžu dostať k otvorenému ohňu alebo iskre.
- Motor nechajte vychladnúť pred uskladnením do akéhokoľvek uzatvoreného priestoru. Pred uskladnením kosačku vyčistite a vykonajte na nej údržbu.
- Pre zníženie rizika vzniku požiaru motor, tmič, priestor na batériu a priestor na skladovanie benzínu majte čisté od trávy, listov alebo prílišného množstva maziva.
- Lapač trávy často kontrolujte z pohľadu opotrebovania alebo poškodenia.



## 4. TECHNICKÉ ÚDAJE

Model	PLM4120N	PLM4620N
Typ motora	Séria B&S 500E	Séria B&S 625E
S vlastným pohonom	Nie	Nie
Zdvihový objem motora	140 cm <sup>3</sup>	190 cm <sup>3</sup>
Menovitý výkon	1,9 kW	2,4 kW
Šírka čepele	410 mm	460 mm
Otáčky pri voľnobehu	2800/min	2800/min.
Objem palivovej nádrže	0,8 l	1,0 l
Objem olejovej nádrže	0,47 l	0,6 l
Objem vrečka na zachytávanie trávy	50 l	60 l
Čistá hmotnosť	26,0 kg	31,1 kg
Nastavenie výšky	25 – 70 mm, 5 nastavení	25 – 70 mm, 5 nastavení
Zaručená úroveň akustického výkonu na mieste obsluhy (podľa EN ISO 5395-1 Príloha F a EN ISO 5395-2, EN ISO 4871)	84,6dB(A) (K=3dB(A))	83,5dB(A)(K= 3dB(A))
Meraná úroveň akustického výkonu	93,4dB(A) K=1,93dB(A)	93,6dB(A) K=2,47dB(A)
Zaručená úroveň akustického výkonu (podľa 2000/14/ES)	96dB(A)	96dB(A)
Vibrácie (podľa EN ISO 5395-1 Príloha G a EN ISO 5395-2)	5,27 m/s <sup>2</sup> K=1,5 m/s <sup>2</sup>	5,738 m/s <sup>2</sup> K=1,5 m/s <sup>2</sup>

## 5. MONTÁŽ

### 5-1 MONTÁŽ SKLÁPACEJ RUKOVÄTI

- Upevnite spodné riadidlá k hlavnej časti jednotky pomocou dvoch súprav so skrútkou, podložkou a poistným otočným gombíkom, ako je to znázornené. (**Obr. 3, Obr. 4, Obr. 5, Obr. 6**)
- Horné riadidlá uvoľnite kvôli sklopeniu. Spojte hornú a spodnú rukoväť pomocou dvoch súprav so skrútkou, podložkou a poistným otočným gombíkom. (**Obr. 7, Obr. 8, Obr. 9**)
- Všetky káble umiestnite ponad tyčky rukoväti. Pomocou káblových svoriek ich prichyťte k strednej časti spodných rukoväti tak, aby boli káble prichytené na vonkajšej strane stroja. V opačnom prípade môžu byť káble zovreté pri otváraní/zatváraní zadného krytu alebo namáhané skladaním hornej rukoväti. (**Obr. 10**)

### 5-2 MONTÁŽ LAPAČA TRÁVY

- Montáž: Zdvihnite zadný kryt a zahákujte lapač trávy o tyčku na zadnej strane kosačky. (**Obr. 11, Obr. 12**)
- Demontáž: Uchopte a zdvihnite zadný kryt a snímte lapač trávy.

### 5-3 RUKOVÄŤ ŠTARTÉRA

Presuňte rukoväť štartéra od motora k vodiacemu prvku lanka. (**Obr. 13, Obr. 14**)

### 5-4 VÝŠKA REZU

Pokiaľ chcete páčku uvoľniť z ozubenia, vyviňte na ňu tak smerom von. Výšku nastavte posunutím páčky dopredu alebo dozadu. (**Obr. 15 a článok 8-8**)

## 6. NASTAVENIE SPRÁVNEJ VÝŠKY

- Vytiahnite poistný otočný gombík, ktorý je upevnený k spodnej rukoväti. (**Obr. 16**)
- Pozrite si **Obr. 17**, posúvajte spodnú rukoväť nahor a nadol a nastavte správnu výšku. V prípade tohto typu kosačky sú k dispozícii 3 nastavenia výšky; pri nastavení výšky 1 je vzdialenosť spodnej rukoväti od zeme najväčšia, výška pri nastavení 3 je najnižšia.
- Vykonaňte nastavenie správnej výšky a následne upevnite spodnú rukoväť poistnými otočnými gombíkmi.



**VÝSTRAHA:** Ľavá a pravá strana spodnej rukoväti musia byť nastavené na rovnakú výšku.

## 7. 2 V 1

Tieto kosačky možno prispôbiť v závislosti na účele používania:

Z kosačky so zadným vyprázdňovaním a mulčovacej kosačky.

Čo je mulčovanie?

Počas mulčovania je tráva odseknutá v rámci jedného pracovného kroku, následne je najemno posekaná a vrátená do trávniku ako prírodné hnojivo.

Typy pre kosenie s mulčovaním:

- Vykonaňte bežné kosenie 2 cm s cieľom dosiahnuť 6 cm až 4 cm výšku trávy.
- Použite ostrý rezný nôž.
- Nekoste mokrú trávu.
- Nastavte maximálne otáčky motora.



- Koste pri pohybe pracovným krokom.
- Pravidelne čistite mulčovací klin, vnútornú stranu skrine a pohyblivú čepeľ.

## Po prvé: Prispôsobenie na mulčovací kosačku



**VÝSTRAHA:** Jedine so zastaveným motorom a zastavenou kosačkou.

1. Zdvihnite zadný kryt a demontujte lapač trávy.
2. Zatlacíte mulčovací klin do plošiny. Mulčovací klin zaistíte tlačidlom do otvoru na plošine. (Obr. 18, Obr. 19)
3. Opätovne znížte zadný kryt.

## Po druhé: Kosenie s lapačom trávy

1. Ak chcete kosiť s lapačom trávy, demontujte mulčovací klin a namontujte lapač trávy.
  2. Demontáž mulčovacieho klina.
- Zdvihnite zadný kryt a demontujte mulčovací klin.



**VÝSTRAHA:** Jedine so zastaveným motorom a zastavenou kosačkou.

## 8. POKYNY NA PREVÁDZKU

### 8-1 PRED NAŠTARTOVANÍM

Motor prevádzkujte v spojení s benzínom a olejom podľa pokynov uvedených v samostatnom návode na obsluhu motora, ktorý je priložený k vašej kosačke. Pokyny si starostlivo prečítajte.



**VÝSTRAHA:** Benzín je veľmi horľavý. Palivo skladujte v kontajneroch špeciálne navrhnutých na tento účel.

Palivo doplňajte iba v exteriéri a pred spustením motora, počas dopĺňania ani manipulácie s palivom nefajčíte. Uzáver palivovej nádrže neodoberajte a benzín nedolievajte nikdy počas chodu motora alebo keď je motor horúci.

Pokiaľ dôjde k rozliatiu benzínu, nepokúšajte sa naštartovať motor, ale stroj preneste do dostatočnej vzdialenosti od miesta rozliatia a zabráňte vzniku zdroja zapálenia, a to až dokiaľ sa benzínové výpary nerozptýlia. Všetky uzávery palivových nádrží a nádrží na palivo bezpečne nasadte naspäť.

Pred obrátením kosačky s cieľom údržby čepele alebo vypustenia oleja, vypustite z nádrže palivo.

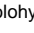
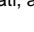


**VÝSTRAHA:** Palivo nikdy nedoplňajte v interiéri, pri spustení motore alebo dokiaľ ste nenechali motor vychladnúť počas doby aspoň 15 minút od jeho spustenia.

### 8-2 SPUSTENIE MOTORA A ZARADENIE ČEPELE

1. Jednotka je vybavená gumenou pätkou, ktorá sa nachádza nad koncom zapaľovacej sviečky. Presvedčte sa, že kovová slučka na konci drôtu

zapaľovacej sviečky (vo vnútri gumenej pätky) je bezpečne utiahnutá ku kovovému hrotu zapaľovacej sviečky.

2. Pred spustením motora stlačte 3 až 5 krát žiarovku vstrekovacieho čerpadla. (Obr. 20)
3. Pri štartovaní studeného motora otočte páčku sýtiča do polohy „“. Pri štartovaní horúceho motora a pri prevádzkovaní otočte páčku sýtiča do polohy „“.
4. Stojac za jednotkou uchopte rukoväť s ovládaním zastavenia a držte ju oproti hornej rukoväti, ako je to znázornené na Obr. 22.
5. Uchopte rukoväť štartéra, ako je to znázornené na Obr. 22 a silno ju potiahnite. Po naštartovaní motora ju pomaly vráťte do skrutky vodiaceho prvkú lanka. Pokiaľ chcete zastaviť motor a čepeľ, uvoľnite rukoväť s ovládaním zastavenia.



Motor naštartujte bezpečne podľa pokynov, pričom nohu majte v dostatočnej vzdialenosti od čepele.



Kosačku neskláľajte pri štartovaní motora. Kosačku štartujte na rovnom povrchu bez výskytu vysokej trávy alebo prekážok.



Zabráňte styku rúk a nôh s rotujúcimi súčasťami. Nespušťajte motor pokiaľ stojíte pred vyprázdňovacím otvorom.

### 8-3 PREVÁDZKOVÉ POSTUPY

Počas prevádzky pevne oboma rukami držte rukoväť s ovládaním zastavenia.



**Poznámka:** Pokiaľ počas prevádzky uvoľníte rukoväť s ovládaním zastavenia, dôjde k zastaveniu motora a tým aj prevádzky kosačky.



**VÝSTRAHA!** Aby nedošlo k neúmyselnému spusteniu kosačky, kosačka je vybavená brzdou motora, ktorá sa musí potiahnuť dozadu, aby bolo možné naštartovať motor. Keď sa páčka ovládania motora uvoľní, musí sa vrátiť do svojej pôvodnej polohy, pričom v tomto bode sa motor automaticky vypne.



**Poznámka:** Brzda motora (rukoväť brzdy): Túto páčku použite na zastavenie motora. Po uvoľnení tejto páčky sa motor a nož automaticky zastavia. Ak chcete kosiť, držte túto páčku v pracovnej polohe. Pred začatím kosenia niekoľkokrát skontrolujte páčku spustenia/zastavenia, aby ste sa uistili, že pracuje správne. Uistite sa, že sa napínacie lanko dá plynulo ovládať (t.j. žiadnym spôsobom sa nezachytáva ani neskrúca).

### 8-4 ZASTAVENIE MOTORA



**UPOZORNENIE:** Po vypnutí motora sa bude čepeľ ešte niekoľko sekúnd otáčať.



1. Pokiaľ chcete zastaviť motor a čepeľ, uvoľnite rukoväť s ovládaním zastavenia.
2. Odpojte a uzemnite drôt zapalovacej sviečky, ako je to uvedené v samostatnom návode na obsluhu motora, čím zabránite náhodnému naštartovaniu počas doby, kedy je zariadenie ponechané bez dozoru.

## 8-5 AKO DOSIAHNUŤ NAJLEPŠIE VÝSLEDKY POČAS KOSENIA


Vyčistite trávnik od úlomkov. Z trávniku odstráňte kamene, triesky, drôty alebo ďalšie cudzie predmety, ktoré by mohli byť kosačkou náhodne odhodnené ktorýmkoľvek smerom a ktoré mohli spôsobiť vážne osobné poranenia obsluhy a ostatných, ako aj poškodenie majetku a okolitých objektov. Nekoste mokrú trávu. Na dosiahnutie účinného kosenia nekoste mokrú trávu, pretože má tendenciu priľnúť na spodnú časť plošiny a zabraňovať v správnom kosení kúskov trávy. Koste na dĺžku nie viac ako 1/3 dĺžky trávy.

Odporúčaná výška rezu pre kosenie je 1/3 dĺžky trávy. Rýchlosť pohybu po zemi je potrebné nastaviť tak, aby boli odseknuté kúsky rovnomerne roztrúsené do trávnik. Hlavne pre ťažké kosenie hustej trávy môže byť potrebné použiť jednu za najnižších rýchlostí a zabraňovať v čistom kosení. Pri kosení vysokej trávy bude potrebné vykonať kosenie trávnik v dvoch fázach, pričom v prípade druhého kosenia dôjde k zníženiu čepel o ďalšiu 1/3 a možno kosiť aj v inom smere ako ste kosiť prvýkrát.

Mierne prekrývanie pásov kosenia pri každom prechode kosačkou taktiež dopomôže vyčistiť zabudnuté zvyšky z trávnik. Kosačka by mala byť vždy prevádzkovaná pri plne otvorenom sýtiči s cieľom dosiahnuť najlepší rez a umožniť najefektívnejšie kosenie. Vyčistite spodnú stranu plošiny.

Po každom použití vyčistite spodnú stranu plošiny kosačky s cieľom zabrániť koseniu trávy, ktorá by zabránila správne mulčovaniu.

Kosenie lístia: Prínosom pre váš trávnik môže byť aj kosenie lístia. Pri kosení lístia sa presvedčte, že lístie je suché a neleží na trávniku vo veľmi hrubej vrstve. Pred kosením nečakajte, dokiaľ zo stromov opadne všetko lístie.

 **VÝSTRAHA:** Po nariadení na cudzí predmet zastavte motor. Od zapalovacej sviečky odpojte drôt, dôkladne skontrolujte kosačku z pohľadu poškodenia a poškodenie opravte pred opätovným naštartovaním a prevádzkovaním kosačky. Nadmerné vibrácie kosačky počas prevádzky indikujú poškodenie. Jednotka by mala byť čo najskôr skontrolovaná a opravená.

## 8-6 LAPAČ TRÁVY


Vyprázdňte a vyčistite vrecko, presvedčte sa, že je čisté a zabezpečte, aby sieťovina, ktorým je vybavené bola odvetrávaná. (Obr. 23)


## 8-7 PLOŠINA

Spodná strana plošiny kosačky by mala byť vyčistená po každom použití, aby sa zabránilo usadzovaniu zvyškov trávy, lístia, špiny a ďalších materiálov. Pokiaľ umožníte hromadeniu zvyškov, podporíte tak vznik hrdze a korózie

a taktiež zabránite správne mulčovaniu. Plošinu môžete vyčistiť sklopením kosačky a oškriabaním dočista pomocou vhodného nástroja (skontrolujte, že ste najprv odpojili drôt zapalovacej sviečky).

## 8-8 POKYNY PRE NASTAVENIE VÝŠKY

 **UPOZORNENIE:** Nikdy na kosačke nevykonávajte žiadne úpravy bez toho, aby ste ju najprv zastavili a odpojili drôt zapalovacej sviečky.

 **UPOZORNENIE:** Pred zmenou výšky kosenia zastavte kosačku a odpojte drôt zapalovacej sviečky. Vaša kosačka je vybavená centrálnou páčkou nastavenia výšky, ktorá ponúka 5 výškových polôh.

1. Pred vykonaním zmeny výšky kosenia zastavte kosačku a odpojte drôt zapalovacej sviečky.
2. Centrálna páčka nastavenia výšky ponúka 5 rôznych výškových polôh.
3. Pokiaľ chcete zmeniť výšku rezu, stlačte páčku nastavenia smerom ku kolesu a posuňte nahor alebo nadol na zvolenú výšku (Obr. 24). Všetky kolesá budú v rovnakej výške rezu.

## 9. POKYNY PRE ÚDRŽBU

### ZAPALOVACIA SVIEČKA

Používajte jedine originálnu náhradnú sviečku. Pre dosiahnutie najlepších výsledkov vymieňajte zapalovaciu sviečku raz za 100 hodín používania. (pozrite si NÁVOD NA OBSLUHU MOTORA)

### BRZDOVÉ SEGMENTY


U servisného zástupcu nechajte pravidelne skontrolovať a/alebo vymeniť brzdové segmenty, pričom na výmenu sa smú použiť len originálne diely.

## 10. POKYNY PRE MAZANIE

 **UPOZORNENIE:** PRED VYKONÁVANÍM SERVISU ODPOJTE ZAPALOVACIU SVIEČKU.

1. KOLESÁ – všetky guľôčkové ložiská všetkých kolies namažte ľahkým olejom aspoň raz za sezónu.
2. MOTOR – pokyny pre mazanie nájdete v návode na obsluhu motora.
3. OVLÁDANIE ZASTAVENIA – miesta spojení (čapy) na rukoväti ovládania zastavenia a jej lanku namažte aspoň raz za sezónu ľahkým olejom. Ovládanie zastavenia musí fungovať voľne v oboch smeroch.

## 11. ČISTENIE

 **UPOZORNENIE:** Motor neumývajte hadicou. Voda môže poškodiť motor a znečistiť palivový systém.

1. Plošinu kosačky utrite dosucha tkaninou.
2. Hadicou umyte spodnú časť plošiny kosačky naklonením kosačky tak, aby zapalovacia sviečka bola hore.

## 11-1 VZDUCHOVÝ ČISTIČ MOTORA



**UPOZORNENIE:** Nedovoľte, aby špina alebo prach zanesli penový prvok vzduchového filtra.

Servis (vyčistenie) prvku vzduchového filtra motora sa musí vykonávať po 25 hodinách štandardného kosenia. Servis penového prvku sa musí vykonávať pravidelne, pokiaľ sa kosačka používa v suchých prašných podmienkach. (pozrite si NÁVOD NA OBSLUHU MOTORA)

### ČISTENIE VZDUCHOVÉHO FILTRA

1. Pre PLM4120N: Zdvihnite výčnelky na hornej časti krytu filtra.  
Pre PLM4620N: Odskrutkujte skrutku.
2. Demontujte kryt.
3. Prvok filtra umyte v saponátovej vode.  
**NEPOUŽÍVAJTE BENZÍN!**
4. Prvok filtra nechajte vyschnúť na vzduchu.
5. Na penový filter kvapnite niekoľko kvapiek oleja SAE30 a dôkladne stlačte s cieľom odstrániť prebytočný olej.
6. Filter nainštalujte.
7. Zatvorte kryt filtra.



**POZNÁMKA:** Filter vymeňte pokiaľ je roztrhnutý, poškodený alebo pokiaľ ho nemožno vyčistiť. (obr. 25 pre PLM4120N)

## 11-2 REZNÁ ČEPEĽ



**UPOZORNENIE:** Pred prácou na reznej čepeľi odpojte a uzemnite drôt zapalovacej sviečky s cieľom predísť náhodnému spusteniu motora. Ruky si chráňte používaním hrubých rukavíc alebo handry, ktorou uchopíte čepele.

Kosačku prevráťte, ako je to uvedené v samostatnom návode na obsluhu motora. Odskrutkujte šesťhrannú skrutku a podložku pridržiavajúcu čepeľ a adaptér čepele ku kľukovému hriadeľu motora. Z kľukového hriadeľa demontujte čepeľ a adaptér.



**VÝSTRAHA:** Adaptér čepele pravidelne kontrolujte z pohľadu prasklín, a to hlavne ak narazíte na cudzí predmet. V prípade potreby vymeňte. Kvôli dosiahnutiu najlepších výsledkov by mala byť čepeľ ostrá. Čepeľ možno opätovne naostriť po jej demontovaní buď brúsením alebo pilníkovaním reznej hrany, a to pri čo najlepšom zachovaní pôvodného skosenia čepele. Je nesmierne dôležité, aby ste každú reznú hranu obrúšili o rovnaké množstvo materiálu, aby ste tak predišli nevyváženosti čepele. Nesprávne vyváženie čepele bude mať za následok nadmerné vibrácie s dôsledkom eventuálneho poškodenia motora a kosačky. Po naoštrení čepeľ dôkladne vyvážite. Vyváženie čepele možno skontrolovať jej vyvážením na skrutkovači s okrúhlyou tyčkou. Z hrubšej strany odstráňte kov, a to až dokiaľ nebude čepeľ vyvážená. (Obr. 26)

Pred opätovným namontovaním čepele a adaptéra čepele na jednotku namažte kľukový hriadeľ motora a vnútorný povrch adaptéra čepele ľahkým olejom. Adaptér čepele nainštalujte na kľukový hriadeľ. Pozrite si **Obr. 26**. Čepeľ umiestnite tak, aby číslo súčiastky smerovalo od adaptéra. Nad čepeľ uložte podložku a vložte šesťhrannú skrutku. Šesťhrannú skrutku utiahnite na hodnotu krútiaceho momentu uvedenú nižšie.

## 11-3 MONTÁŽNY KRÚTIACI MOMENT PRE ČEPEĽ

Stredná skrutka musí byť utiahnutá na hodnotu krútiaceho momentu 35 – 45 Nm. Pokiaľ chcete zabezpečiť bezpečnú prevádzku vašej jednotky. VŠETKY matice a skrutky musia byť pravidelne kontrolované z pohľadu správneho utiahnutia. Po dlhodobom používaní hlavne v podmienkach piesčitej pôdy dôjde k opotrebovaniu čepele a k strate časti jej pôvodného tvaru. Dôjde z redukovaniu účinného kosenia a čepeľ bude potrebné vymeniť. Vymeňte jedine za výrobné schválenú náhradnú čepeľ. Možné poškodenie v dôsledku stavu nevyváženosti čepele nie je v zodpovednosti výrobcu.

Pri výmene čepele musíte použiť originálny typ vyznačený na čepeľi (MAKITA 263001433 pre PLM4120N; MAKITA 263001451 pre PLM4620N) (pokiaľ si chcete objednať čepeľ, spojte sa so svojím miestnym predajcom, alebo zavolajte na našu spoločnosť).



**VÝSTRAHA:** Nedotýkajte sa rotujúcej čepele.

## 11-4 MOTOR

Pokyny ohľadne údržby motora nájdete v samostatnom návode na obsluhu motora.

Motorový olej používajte podľa pokynov v samostatnom návode na obsluhu motora dodávanom s vašou jednotkou.

Pokyny si dôkladne prečítajte a dodržiavajte ich. Servis vzduchového čističa v rámci štandardných podmienok vykonávajte podľa samostatného návodu na obsluhu motora. V prípade veľmi prašných podmienok čistite stále po niekoľkých hodinách. Slabý výkon motora a jeho zaplavenie sú príznakom toho, že by ste mali vykonať servis vzduchového čističa.

Informácie o vykonávaní servisu vzduchového čističa nájdete v samostatnom návode na obsluhu motora, ktorý je súčasťou balenia vašej jednotky.

Zapalovaciu sviečku by ste mali vyčistiť a jej iskrište opätovne nastaviť raz za sezónu. Vykonať výmenu zapalovacej sviečky sa odporúča na začiatku každej sezóny kosenia; informácie o správnom type zapalovacej sviečky a technické špecifikácie o iskrišti nájdete v návode na obsluhu motora.

Motor pravidelne čistite pomocou tkanina alebo kefy.

Chladiaci systém (miesto skrine ventilátora) udržiavajte v čistote, aby ste zabezpečili správnu cirkuláciu vzduchu, ktorá je dôležitá pre výkon a životnosť motora. Z oblasti tlmíča výfuku odstraňujte trávu, špinu a horľavé úlomky.

## 12. POKYNY PRE USKLADNENIE (MIMO SEZÓNY)

Pokiaľ chcete pripraviť kosačku na skladovanie, vykonajte nasledujúce kroky.

1. Po poslednom kosení v rámci sezóny vyprázdňte nádrž.
  - a) Palivovú nádrž vyprázdňte pomocou sacieho čerpadla.



**UPOZORNENIE:** Benzín nevypúšťajte v uzatvorených miestnostiach, v blízkosti otvoreného ohňa a podobne. Nefajčíte! Benzínové výpary môžu spôsobiť výbuch alebo požiar.

- b) Naštartujte motor a nechajte ho bežať, dokiaľ sa nespotrebuje všetok benzín a nezastaví sa motor.
  - c) Zapaľovaciu sviečku demontujte. Pomocou plechovky na olej nalejte do spaľovacej komory asi 20 ml oleja. Pohybovaním štartérom v spaľovacej komore rovnomerne naneste olej. Namontujte zapaľovaciu sviečku.
2. Kosačku dôkladne vyčistíte a namažte, ako je to popísané v časti „POKYN Y PRE MAZANIE“.
  3. Aby ste predišli korózii, sečné náradie mierne namažte.
  4. Kosačku uskladnite na suchom a pred mrazom chránenom mieste, mimo dosahu neoprávnených osôb.



**UPOZORNENIE:** Pre uskladnením kosačky musí motor úplne vychladnúť.



**POZNÁMKA:**

Pri uskladnení akéhokoľvek typu elektrického zariadenia v

nevetranej kôlni alebo v kôlni na uskladnenie materiálu;

- Pozornosť by ste mali venovať ochrane zariadenia pred hrdzou. Pomocou ľahkého oleja alebo silikónu namažte zariadenie, hlavne káble a pohyblivé súčasti.
- Dávajte pozor, aby ste neohli alebo neskrútili káble.
- Pokiaľ dôjde k odpojeniu lanka štartéra od vodiaceho prvku lanka na rukoväti, odpojte a uzemnite drôt zapaľovacej sviečky, stlačte rukoväť ovládania čepele a pomaly vytiahnite z motora lanko štartéra. Lanko štartéra zasuňte do skrutky vodiaceho prvku lanka na rukoväti.

## Preprava

Vypnite motor a nechajte ho vychladnúť. Potom odpojte kábel zapaľovacej sviečky a vyprázdňte palivovú nádrž podľa pokynov v príručke motora. Pri tlačením kosačky cez prekážku dávajte pozor, aby nedošlo k ohnutiu alebo poškodeniu sečného náradia.

## 13. RIEŠENIE PROBLÉMOV

PROBLÉM	MOŽNÁ PRÍČINA	NÁPRAVA
Motor nenašartuje.	Páčka sýtiča nie je v správnej polohe pre aktuálne pretrvávajúce podmienky.	Posuňte páčku sýtiča do správnej polohy.
	Palivová nádrž je prázdna.	Palivovú nádrž naplňte palivom. Pozrite si NÁVOD NA OBSLUHU MOTORA.
	Prvok vzduchového čističa je špinavý.	Prvok vzduchového čističa vyčistite. Pozrite si NÁVOD NA OBSLUHU MOTORA.
	Zapaľovacia sviečka je uvoľnená.	Zapaľovaciu sviečku utiahnite na hodnotu krútiaceho momentu 25 - 30 Nm.
	Drôt zapaľovacej sviečky je uvoľnený alebo odpojený od sviečky.	Drôt zapaľovacej sviečky nainštalujte na zapaľovaciu sviečku.
	Iskrište zapaľovacej sviečky nie je správne nastavené.	Nastavte iskrište tak, aby štrbina medzi elektródami bola 0,7 až 0,8 mm.
	Zapaľovacia sviečka je chybná.	Nainštalujte novú sviečku so správne nastaveným iskrišťom. Pozrite si NÁVOD NA OBSLUHU MOTORA.
	Karburátor je zaplavený palivom.	Demontujte prvok vzduchového čističa a t'ahajte nepretržite lanko štartéra dokiaľ sa karburátor sám nevyčistí; následne nainštalujte prvok vzduchového čističa.
	Chybný modul zapaľovania.	Obráťte sa na autorizované servisné centrum spoločnosti Makita.
Je t'azké naštartovať motor, alebo motor stráca výkon.	Špina, voda alebo uschnutá palivová nádrž.	Palivovú nádrž vypusťte a vyčistite. Nádrž naplňte čistým, čerstvým palivom.
	Vetrací otvor na uzávere palivovej nádrže je upchaný.	Vyčistite alebo vymeňte uzáver palivovej nádrže.
	Prvok vzduchového čističa je špinavý.	Prvok vzduchového čističa vyčistite.
Motor pracuje nepravidelne.	Zapaľovacia sviečka je chybná.	Nainštalujte novú sviečku so správne nastaveným iskrišťom. Pozrite si NÁVOD NA OBSLUHU MOTORA.
	Iskrište zapaľovacej sviečky nie je správne nastavené.	Nastavte iskrište tak, aby štrbina medzi elektródami bola 0,7 až 0,8 mm.
	Prvok vzduchového čističa je špinavý.	Prvok vzduchového čističa vyčistite. Pozrite si NÁVOD NA OBSLUHU MOTORA.
Voľnobeh motora je slabý.	Prvok vzduchového čističa je špinavý.	Prvok vzduchového čističa vyčistite. Pozrite si NÁVOD NA OBSLUHU MOTORA.
	Vetracie štrbiny na plášti motora sú zablokované.	Zo štrbín odstráňte úločky.
	Chladiace rebrá a vzduchové prechody pod skriňou ventilátora motora sú zablokované.	Z chladiacich rebier a vzduchových prechodov odstráňte úločky.
Motor pri vysokých otáčkach vynecháva.	Štrbina medzi elektródami zapaľovacej sviečky je veľmi malá.	Nastavte iskrište tak, aby štrbina medzi elektródami bola 0,7 až 0,8 mm.
Motor sa prehrieva.	Tok chladiaceho vzduchu je obmedzený.	Odstráňte všetky úločky z otvorov v plášti, skrine ventilátora a vzduchových prechodov.
	Nesprávna zapaľovacia sviečka.	Pri PLM4120N nainštalujte zapaľovaciu sviečku RC12YC alebo QC12YC a chladiace rebrá na motor. V prípade PLM4620N na motor nainštalujte zapaľovaciu sviečku RJ19LMC a chladiace rebrá.
Kosačka neštandardne vibruje.	Rezná zostava je uvoľnená.	Utiahnite čepel.
	Rezná zostava je nevyvážená.	Čepel vyvážte.

## 14. OCHRANA ŽIVOTNÉHO PROSTREDIA

Pokiaľ chcete po dlhodobom používaní stroja stroj vymeniť za iný, nevyhadzujte ho do domového odpadu ale ho zneškodnite environmentálne bezpečným spôsobom.

### Len pre európske krajiny

### Vyhlasenie o zhode so smernicami Európskeho spoločenstva

### Spoločnosť Makita vyhlasuje, že nasledujúce zariadenie

Označenie zariadenia:

Benzínová kosačka

Číslo modelu / typ: PLM4120N, PLM4620N

Technické špecifikácie: Pozrite si „4. TECHNICKÉ

ÚDAJE“

### vyhovujú nasledujúcim európskym smerniciam:

2004/108/ES, 2006/42/ES, 2000/14/ES a 2005/88/  
ES

A je vyrobené v súlade s nasledujúcimi normami alebo štandardizovanými dokumentmi:

EN ISO 5395-1, EN ISO 5395-2, EN ISO 14982

Technický súbor v súlade s 2006/42/ES je k dispozícii od:

Makita, Jan-Baptist Vinkstraat 2, 3070, Belgicko

Postup posúdenia zhody, ako vyžaduje smernica

2000/14/ES bol zrealizovaný podľa prílohy VI.

Oboznámený orgán:

TÜV SÜD Industrie Service GmbH

Westendstrasse 199, D-80686 München, Nemecko

Identifikačné číslo: 0036

PLM4120N

Meraná úroveň akustického výkonu: 93,4 dB

Garantovaná úroveň akustického výkonu: 96 dB

PLM4620N

Meraná úroveň akustického výkonu: 93,6 dB

Garantovaná úroveň akustického výkonu: 96 dB

22.8.2014



Yasushi Fukaya

Riaditeľ

Makita, Jan-Baptist Vinkstraat 2, 3070, Belgicko

**Vysvětlení k celkovému pohledu**

- |                               |                           |                          |
|-------------------------------|---------------------------|--------------------------|
| 1. Horní držadlo              | 6. Sběrací koš            | 11. Víčko olejové nádrže |
| 2. Držadlo ovládání zastavení | 7. Páčka nastavení výšky  | 12. Přichytka kabelu     |
| 3. Páčka plynu                | 8. Kryt                   | 13. Pojistný knoflík     |
| 4. Rukojeť startéru           | 9. Zapalovací svíčka      | 14. Vyšší rychlost       |
| 5. Vodítko lanka              | 10. Víčko palivové nádrže | 15. Nižší rychlost       |



**VAROVÁNÍ**

Před uvedením nového zařízení do provozu si v zájmu vlastní bezpečnosti nejprve přečtěte tuto příručku. Nedodržení pokynů může vést k závažnému poranění. Před každým použitím se krátce seznámte s ovládním sekačky. Návod si uschovejte na bezpečném místě tak, abyste měli tyto informace vždy k dispozici. Pokud předáte zařízení jiné osobě, předejte jí také tento návod k použití a bezpečnostní předpisy.

**Určené použití**

Toto zařízení lze používat pouze k účelům, pro něž bylo navrženo. Jakékoliv jiné použití se považuje za případ zneužití. Za veškeré škody nebo zranění jakéhokoli druhu způsobené ve výše uvedeném důsledku neodpovídá výrobce, nýbrž uživatel/provozovatel.

Benzinová sekačka na trávu je určena k soukromému použití, tzn. k provozu na domácích zahradách.

Za soukromé používání sekačky se považuje provozní doba, která obecně nepřesahuje 50 hodin za rok, během nichž stroj slouží zejména k udržování malých trávníků u rodinných domků a na domácích/hobby zahrádkách.

Vyloučena jsou veřejná prostranství, sportovní areály a zemědělské/lesní plochy.

Pamatujte si, že naše zařízení není určeno pro komerční, obchodní nebo průmyslové využití. Při použití našeho zařízení ke komerčním, obchodním, průmyslovým nebo podobným účelům dochází k porušení záruky. Návod k použití dodávaný výrobcem je třeba dodržovat a řídit se jeho pokyny, aby bylo zajištěno správné používání a údržba sekačky. Návod obsahuje cenné informace týkající se ovládání, údržby a servisu.

Důležité! Kvůli vysokému riziku fyzického poranění uživatele se sekačka nesmí používat k řezání křoví, živých plotů nebo keřů, k odstraňování vegetace, kosení osázených střech nebo balkónových trávníků, k čištění (odsávání) nečistot a usazenin na chodnicích, nebo k osekávání větví či stříhání živých plotů. Kromě toho se sekačka nesmí používat jako motorový kultivátor ke srovnávání terénu, např. krtinců.

Z bezpečnostních důvodů se sekačka nesmí používat jako pohonná jednotka pro jiné pracovní stroje nebo nářadí jakéhokoli druhu.

**1. SYMBOLY VYZNAČENÉ NA VÝROBKU (na zadní straně)**



Přečtěte si uživatelskou příručku.



Nepracujte v blízkosti okolostojících osob.



Obsluha musí dávat pozor na ruce a nohy, aby nedošlo ke zranění.



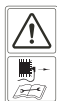
Benzinové výpary jsou toxické – nepracujte uvnitř budov.



Palivo je hořlavé, nepřibližujte se k otevřenému ohni. Palivo nenalévejte do spuštěné sekačky.



Při sekání používejte brýle a ochranu sluchu.



Při opravě vyjměte zapalovací svíčku a při opravě postupujte podle návodu k o službě.



Upozornění: Motor je horký.



Motor se vypíná volněním spínacího madla.

**2. VŠEOBECNÁ BEZPEČNOSTNÍ PRAVIDLA**



**VAROVÁNÍ:** Při práci s zařízením poháněným spalovacím motorem je vždy třeba dodržovat základní bezpečnostní opatření (včetně níže uvedených). Zamezíte tak nebezpečí vážného zranění či poškození zařízení.

Před prací se zařízením si přečtěte veškeré pokyny a uchovejte je pro pozdější využití.



**VAROVÁNÍ:** Při provozu tohoto stroje vzniká elektromagnetické pole. Za určitých okolností může toto pole narušit činnost aktivních či pasivních lékařských implantátů. Osobám s lékařskými implantáty proto v zájmu eliminace nebezpečí vážného poškození zdraví nebo i smrtelného úrazu doporučujeme, aby se před použitím tohoto zařízení poradily s lékařem nebo výrobcem příslušného implantátu.

## Průprava

- Pečlivě si přečtěte pokyny. Obeznamte se s ovládacími prvky a správným používáním zařízení. Naučte se rychle vypínat motor.
- Sekačku na trávu používejte pouze k určený účelům, čili k sekání a sběru trávy. Jakékoli jiné využití může být nebezpečné a může vést k poškození zařízení. Příklady nesprávného používání mimo jiné zahrnují i následující činnosti:
  - převážení osob, děti či zvířat na zařízení,
  - vození se na zařízení,
  - používání zařízení k tahání či tlačení břemen,
  - používání zařízení ke sběru listů či odštěpků,
  - používání zařízení k ořezávání trávníků nebo k sekání jiné než travní vegetace,
  - využívání zařízení více než jednou osobou,
  - používání nože na jiných než travnatých plochách.
- Nikdy nedovolte, aby sekačka obsluhovaly děti nebo osoby neobeznamené s těmito pokyny. Věk obsluhy může být omezen místními předpisy.
- Sekačku na trávu nikdy nepoužívejte v následujících situacích:
  - v blízkosti osob, zvláště pak dětí a domácích mazlíčků,
  - jestliže užíváte léky nebo látky ovlivňující rychlost reakcí a koncentraci.
- Pamatujte, že za nehody nebo vystavení nebezpečí jiných osob a jejich majetku odpovídá obsluha či uživatel.
- Obsluha musí absolvovat řádné zaškolení v používání, seřizování a ovládání stroje, včetně zakázaných operací.

## Příprava

- Při sekání vždy noste pevnou obuv a dlouhé kalhoty. Se zařízením nepracujte naboso ani v otevřených sandálech.
- Pečlivě si prohlédněte místo, kde budete se zařízením pracovat, a odstraňte veškeré předměty (např. kameny, hračky, klacky a dráty), které by sekačka mohla odmrštit.
- **VAROVÁNÍ** – benzín je vysoce hořlavý.
  - palivo skladujte v nádobách speciálně navržených pro tento účel;
  - palivo doplňujte pouze venku a při této činnosti nekuřte;
  - palivo doplňujte před spuštěním motoru. Jestliže je sekačka spuštěná nebo pokud je motor horký, nikdy nesnímejte víčko palivové nádrže ani nedoplňujte palivo;
  - při rozliti benzínu se nepokoušejte nastartovat motor, ale přesuňte zařízení z místa politého

benzínem a před odpařením paliva dejte pozor, abyste nezpůsobili jeho vznícení;

- pevně zašroubujte víčko nádrže i víčko nádoby s palivem.
- Pokud je vadný tlumič, vyměňte jej.
- Před prací vždy vizuálně zkontrolujte, zda není opotřeбенý či poškozený sekací nůž, šrouby nože a sekací sestava. Opotřeбенý či poškozený nůž se šrouby vyměňujte v celé sadě, abyste zachovali vyváženost.
- Pravidelně kontrolujte řádnou funkci všech uzávěrů startování a kontrolních prvků přítomnosti obsluhy.

## Provoz

- Nespouštějte motor v omezených prostorách, kde se mohou shromažďovat nebezpečné zplodiny oxidu uhelnatého.
- Stroj nepoužívejte, pokud jste unaveni, nemocní nebo pod vlivem alkoholu či návykových látek.
- **Varování!** Sekačku nepoužívejte, pokud existuje nebezpečí zásahu bleskem.
- Doporučuje se omezit dobu provozu, aby se minimalizovalo nebezpečí hluku a vibrací.
- Dávejte pozor, pokud sekačku používáte na svazích a poblíž prohlubní, příkopů či náspů.
- Sekejte pouze za denního světla nebo při dobrém umělému světle.
- Se zařízením nepracujte pokud možno v mokré trávě.
- Při práci ve svahu vždy dávejte pozor, kam šlapete.
- Krácejte – nikdy neběhejte.
- S kolovými sekačkami pojíždějte při sekání po vrstevnicích svahu, nikdy nahoru a dolů.
- Při změně směru ve svahu buďte mimořádně opatrní.
- Nesekejte v příliš strmých svazích.
- Buďte mimořádně opatrní při otáčení nebo tahání sekačky směrem k sobě.
- Při nutnosti naklonění sekačky kvůli transportu s přeježděním jiných než travnatých ploch a při transportu sekačky na pracoviště a z pracoviště vypněte motor pohánějící nůž (nože).
- Nikdy nepracujte se sekačkou s vadnými kryty nebo se sejmutým bezpečnostním zařízením, například bez krytu vyhozovacího kanálu nebo bez sběracího koše.
- **Upozornění:** Sekačka se nesmí používat bez nasazeného koše na trávu nebo bez samouzavírací záklopky nasazené na vyhozovací kanál.
- Neměňte nastavení regulátoru motoru a motor nepřetěžujte.
- Neupravujte ani nezasahujte do jakéhokoli uzavřeného nastavení pro regulaci otáček motoru.
- Do bezpečnostních prvků ani funkcí sekačky se nesmí zasahovat ani je vyřazovat.
- Před spuštěním motoru vypněte všechny spojky nožů a pohonu.
- Motor startujte opatrně podle pokynů a s nohama v dostatečné vzdálenosti od nože (nožů).
- Při spouštění motoru sekačku nenaklápějte.
- Motor nespouštějte, jestliže stojíte před vyhozovacím kanálem.
- Do blízkosti nebo pod rotující díly nestrkejte ruce ani nohy. Vždy se zdržujte mimo dosah vyhozovacího kanálu.
- Pokud je motor v chodu, sekačku nikdy neberte do rukou a nepřesahujte.



- V následujících situacích vypněte motor, odpojte kabel zapalovací svíčky, ujistěte se, zda se všechny pohyblivé díly zcela zastavily a u modelů vybavených klíčem vyjměte klíč:
  - před uvolňováním zablokovaní nebo při uvolňování upchaného vyhadzovacího kanálu;
  - před kontrolou, čištěním nebo pracemi na sekačce;
  - po odmrštění cizorodého předmětu. Sekačku zkontrolujte, zda není poškozená a před opětovným spuštěním a pracovním využitím proveďte případnou opravu;
  - jestliže sekačka začne neobvykle vibrovat (provedte okamžitou kontrolu).
- V následujících situacích vypněte motor, odpojte kabel zapalovací svíčky, ujistěte se, zda se všechny pohyblivé díly zcela zastavily a u modelů vybavených klíčem vyjměte klíč:
  - kdykoli se od sekačky vzdálíte;
  - před doplňováním paliva.
- Při vypínání motoru uberte plyn a jestliže je motor vybaven uzavíracím ventilem, uzavřete po skončení sekání přívod paliva.
- Sekačku na trávu používejte pouze pro určený účel – k sekání a sběru trávy. Jakékoli jiné využití může být nebezpečné a může vést k poškození zařízení.
- V rámci zajištění bezpečnosti poškozené díly vyměňte.
- V případě nutnosti vypuštění palivové nádrže pracujte venku.
- Při nesprávné údržbě, používání neodpovídajících náhradních dílů nebo odebrání či úpravě bezpečnostních prvků může dojít k poškození sekačky a vážnému zranění obsluhy.
- Používejte pouze nože a náhradní díly doporučené výrobcem. Při použití neoriginálních náhradních dílů může dojít k poškození stroje a poranění obsluhy. Sekačku udržujte v dobrém provozuschopném stavu.
- Pokud prvek k zastavení nože nefunguje, požádejte o pomoc servisní středisko.

### Transport a manipulace

- Pokud je nutné se zařízením manipulovat, zvedat je, transportovat či nakláňet, je nutné vždy dodržovat následující opatření:
  - používejte silné pracovní rukavice,
  - zařízení držte v místech umožňujících bezpečný úchop a vezměte v úvahu hmotnost zařízení rozložení váhy,
  - podle hmotnosti zařízení a charakteristik převážejícího vozidla a místa určení či odběru angažujte při manipulaci více osob.
- Při transportu zařízení pevně přivažte lany či řetězy.



**VAROVÁNÍ:** Nedotýkejte se rotujícího nože.



**VAROVÁNÍ:** Palivo doplňujte v dobře větraném prostoru a s vypnutým motorem.

## 3. POPIS SOUČÁSTÍ (Obr. 1 a 2)

### Další součásti

A: Klíč na zapalovací svíčku

B: Mulčovací klín

## Údržba a uložení

- Všechny matice, šrouby a vruty udržujte dotažené – zajistíte tak bezpečnou provozuschopnost zařízení.
- Zařízení s benzinem v nádrži nikdy neukládejte v budovách, kde se mohou výpary dostat do kontaktu s otevřeným ohněm či jiskrami.
- Před uložením v jakémkoli krytu ponechte motor vychladnout; Před uskladněním sekačku vyčistěte a proveďte její údržbu.
- V rámci omezení nebezpečí vzniku požáru udržujte motor, tlumič, prostor akumulátoru a místo uložení benzínu čisté a beze zbytků trávy, listí či nadbytečné mastnoty.
- Často kontrolujte sběrací koš, zda není opotřebený či poškozený.

## 4. TECHNICKÉ ÚDAJE

Model	PLM4120N	PLM4620N
Typ motoru	B&S Řady 500E	B&S Řady 625E
S pojazdem	Ne	Ne
Zdvihový objem motoru	140 cm <sup>3</sup>	190 cm <sup>3</sup>
Jmenovitý výkon	1,9 kW	2,4 kW
Délka nože	410 mm	460 mm
Volnoběžné otáčky	2 800/min	2 800/min
Objem palivové nádrže	0,8 l	1,0 l
Objem olejové nádrže	0,47 l	0,6 l
Objem sběracího vaku	50 l	60 l
Čistá hmotnost	26,0 kg	31,1 kg
Výškové nastavení	25 – 70 mm, 5 nastavení	25 – 70 mm, 5 nastavení
Zaručená úroveň akustického výkonu na místě obsluhy (Podle normy EN ISO 5395-1 Annex F a EN ISO 5395-2, EN ISO 4871)	84,6dB(A) (K=3dB(A))	83,5dB(A) (K = 3dB(A))

Model	PLM4120N	PLM4620N
Naměřená hladina akustického výkonu	93,4dB(A) K=1,93dB(A)	93,6dB(A) K=2,47dB(A)
Zaručená hladina akustického výkonu (Podle směrnice 2000/14/EC)	96dB(A)	96dB(A)
Vibrace (Podle normy EN ISO 5395-1 Annex G & EN ISO 5395-2)	5,27 m/s <sup>2</sup> K=1,5 m/s <sup>2</sup>	5,738 m/s <sup>2</sup> K=1,5 m/s <sup>2</sup>

## 5. MONTÁŽ

### 5-1 MONTÁŽ SKLÁPĚČÍHO DRŽADLA

- A) Dolní část držadla upevněte k plášti jednotky dvěma sadami šroubů, podložek a pojistných knoflíků tak, jak je znázorněno na obrázku (**Obr. 3, Obr. 4, Obr. 5, Obr. 6**).
- B) Uvolněte horní část držadla ke sklopení. Horní a dolní část držadla spojte dvěma sadami šroubů, podložek a pojistných knoflíků (**Obr. 7, Obr. 8, Obr. 9**).
- C) Všechny kabely a bovdeny umístěte k tyčím držadel. Přichyťte je kolem středu dolních částí držadel přichytkami tak, aby byly uchyceny z vnější strany zařízení. Jinak by mohlo dojít ke skřípnutí kabelu či bovdeny otevřením či zavřením zadního krytu nebo jejich vytažováním sklápěním horního držadla (**Obr. 10**).

### 5-2 MONTÁŽ SBĚRACÍHO KOŠE

- Nasazení: Zvedněte zadní kryt a sběrací koš zahákněte za tyč zadní části sekačky (**Obr. 11, Obr. 12**).
- Sejmutí: Uchopte a zvedněte zadní kryt a pak sběrací koš sejmete.

### 5-3 RUKOJEŤ STARTÉRU

Rukojeť startéru přesuňte od motoru k vodičku lanka (**Obr. 13, Obr. 14**).

### 5-4 VÝŠKA POKOSU

Zatlačením směrem ven uvolněte páčku ze zářezu. Přesunutím páčky směrem vpřed nebo zpět nastavte výšku (**viz Obr. 15 a odstavec 8-8**).

## 6. NASTAVENÍ SPRÁVNÉ VÝŠKY

- Odšroubujte pojistný knoflík přidržující dolní část držadla (**Obr. 16**).
- Podle **Obr. 17**, nastavte přesunutím dolní části držadla nahoru či dolů správnou výšku. U tohoto typu sekačky jsou k dispozici 3 nastavení výšky. V poloze 1 je dolní držadlo vůči zemi nejvýše a v poloze 3 je výška nejmenší.
- Po nastavení správné výšky upevněte dolní část držadla pojistnými knoflíky.



**VAROVÁNÍ:** Levá a pravá strana dolní části držadla musí být nastaveny ve stejné výšce.

## 7. 2 V 1

Tyto sekačky lze podle účelu použití upravit tak, aby kromě své normální funkce plnily i jiné úkoly:

Ze sekačky se zadním výhozem může být mulčovací sekačka.

Co je mulčování?

Při mulčování se tráva nejprve usekne a pak se po jemném rozsekání vrací na trávník jako přírodní hnojivo.

Rady k mulčovacímu sekání:

- Pravidelně sekejte max. 2 cm z trávy vysoké 6 až 4 cm.
- Používejte ostrý sekací nůž.
- Nesekejte mokrou trávu.
- Nastavte max. otáčky motoru.
- Sekejte pouze v tempu chůze.
- Pravidelně čistěte mulčovací klín, vnitřní stranu pláště sekačky a sekací nůž.

### PRVNÍ ZPŮSOB: Úprava na mulčovací sekačku



**VAROVÁNÍ:** Pracujte pouze s vypnutým motorem a sekacím nožem v nečinnosti.

- Zvedněte zadní kryt a vyjměte sběrací koš.
- Mulčovací klín zatlačte do krytu. Mulčovací klín zajistěte tlačítkem v otvoru krytu (**Obr. 18, Obr. 19**).
- Zadní kryt spusťte zpět dolů.

### DRUHÝ ZPŮSOB: Sekání se sběracím košem

- Chcete-li při sekání použít sběrací koš, vyjměte mulčovací klín a namontujte sběrací koš.
- Vyjměte mulčovací klín.
- Zvedněte zadní kryt a vyjměte mulčovací klín.



**VAROVÁNÍ:** Pracujte pouze se zastaveným motorem a sekacím nožem v klidu.

## 8. NÁVOD K OBSLUZE

### 8-1 NEŽ ZAČNETE

Podle pokynů v samostatné příručce k motoru dodané k sekačce naplňte nádrže motoru benzínem a olejem.

Pečlivě si přečtěte pokyny.



**VAROVÁNÍ:** Benzín je vysoce hořlavý.


Palivo skladujte v nádobách speciálně navržených pro tento účel.

Benzín doplňujte pouze venku před spuštěním motoru a při doplňování či manipulaci s palivem nekuřte.

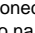
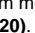
Jestliže je sekačka spuštěná nebo pokud je motor horký, nikdy nesnímejte víčko palivové nádrže ani nedoplňujte palivo.


Při rozlítí benzínu se nepokoušejte nastartovat motor, ale přesuňte zařízení z místa politého benzínem a před odpařením paliva dejte pozor, abyste nezpůsobili jeho vznícení.


Pevně zaskrubujte víčko nádrže i víčko nádoby s palivem. Před sklopením sekačky za účelem údržby nože či vypuštění oleje vyprázdněte palivovou nádrž.


 **VAROVÁNÍ:** Palivovou nádrž nikdy nenaplňujte uvnitř budov, se spuštěným motorem ani před vychladnutím motoru po uplynutí alespoň 15 minut po vypnutí.

## 8-2 SPUŠTĚNÍ MOTORU A ZAHÁJENÍ SEKÁNÍ

1. Zařízení je vybaveno pryžovou prachovkou přetaženou přes konec zapalovací svíčky. Ujistěte se, zda je kovové očko na konci kabelu zapalovací svíčky (uvnitř pryžové prachovky) pevně nasazeno na kovovém konci zapalovací svíčky.
2. Před nastartováním motoru stiskněte 3–5krát nastříkovač (**Obr. 20**).
3. Při startování studeného motoru přepněte páčku plynu do polohy „“. Při startování teplého motoru a za provozu přepněte páčku plynu do polohy „“ (**Obr. 21**).
4. Postavte k zadní straně sekačky, uchopte držadlo ovládání zastavení a přitiskněte jej k hornímu držadlu tak, jak je znázorněno na **Obr. 22**.
5. Uchopte rukojeť startéru podle **Obr. 22** a rychle za ni zatáhněte. Po nastartování motoru vraťte rukojeť pomalu ke šroubu vodítka lanka. Chcete-li vypnout motor a zastavit nůž, uvolněte držadlo ovládání zastavení.


 Motor startujte opatrně podle pokynů a s nohama v dostatečné vzdálenosti od nože.


 Při spouštění motoru sekačku nenaklápějte. Motor startujte na rovné ploše bez vysoké trávy či překážek.


 Nepřibližujte ruce ani nohy k rotujícím dílům. Motor nespouštějte, jestliže stojíte před otvorem vyhovazovacího kanálu.

## 8-3 POSTUP PŘI PROVOZU


Během provozu oběma rukama pevně přidržujte držadlo ovládání zastavení.

 **Poznámka:** Při provozu se po uvolnění držadla ovládání zastavení motor zastaví a sekačka přestane pracovat.

 **VAROVÁNÍ!** Aby nedošlo k nechtěnému startu, sekačka je vybavena motorovou brzdou, která se musí před nastartováním motoru přitáhnout. Při uvolnění páky ovládání motoru se páka musí vrátit do své výchozí polohy, v níž se motor automaticky vypne.

 **Poznámka:** Motorová brzda (držadlo ovládání brzd): Páku použijte k zastavení motoru. Když páčku uvolníte, motor a nůž se zastaví automaticky. Chcete-li sekát, páku přidržujte v pracovní poloze. Před zahájením sekání páku spuštění/zastavení několikrát zkontrolujte, abyste se ujistili, že pracuje správně. Ověřte si, že se napínací lanko pohybuje plynule (tzn. nijak nevázne ani není zkrouceno).

## 8-4 VYPNUTÍ MOTORU

 **UPOZORNĚNÍ:** Po vypnutí motoru se nůž ještě několik vteřin otáčí.

1. Chcete-li vypnout motor a zastavit nůž, uvolněte držadlo ovládání zastavení.
2. Náhodnému spuštění zařízení bez dozoru zamezíte odpojením a uzemněním kabelu zapalovací svíčky tak, jak je uvedeno v samostatném návodu k obsluze motoru.




## 8-5 JAK DOSÁHNOUT NEJLEPŠÍCH VÝSLEDKŮ PŘI SEKÁNÍ

Vyčistěte trávník. Ujistěte se, zda nejsou v trávě kameny, klacky, dráty či jiné cizorodé předměty, jež by mohly být sekačkou nechtěně odmrštěny jakýmkoli směrem a mohly tak způsobit vážné zranění obsluhy či jiných osob, anebo škody na majetku a okolních objektech. Nesekejte mokrou trávu. Při efektivním sekání není vhodné sekát mokrou trávu, jež má tendenci ulpávat na vnitřní straně krytu, kde zamezují správnému sekání kousků trávy. Nesekejte více než 1/3 délky trávy.

Doporučujeme sekát 1/3 výšky trávy. Rychlost je třeba přizpůsobit tak, aby se posekaná tráva rovnoměrně rozptýlila po trávníku. Při zvláště náročném sekání husté trávy může být nutné využít co nejpomalejší rychlost, abyste dosáhli čistého a kvalitního výsledku. Při sekání dlouhé trávy bude pravděpodobně třeba sekát trávník ve dvou fázích se spuštěním nože o další 1/3 délky trávy pro druhý stih a zřejmě i sekání z jiného směru než v předchozí fázi.

Důkladnému vysekání celé plochy trávníku rovněž napomůžete mírným překrytím pásů při každém průchodu. Sekačku je třeba používat vždy s plným plynem, čímž dosáhnete nejlepšího stihu a docílíte maximální efektivity sekání. Vyčistěte spodní stranu krytu. Po každém použití zabezpečte vyčištění spodní strany krytu sekačky, abyste zamezili hromadění trávy, jež by bránila správnému mulčování.

Sekání listí: Pro trávník může být prospěšné i sekání listí. Při sekání listí se ujistěte, zda je listí suché a zda na trávníku neleží v příliš silné vrstvě. Se sekáním nečekejte, až ze stromů opadá všechno listí.

 **VAROVÁNÍ:** Jestliže narazíte na cizorodý předmět, vypněte motor. Odpojte kabel od zapalovací svíčky, sekačku důkladně prohleďte, zda nedošlo k jejímu poškození a před opětovným spuštěním a uvedením do provozu ji nechte opravit. Přílišné vibrace

sekačky za provozu jsou známkou poškození. Zařízení je třeba neprodleně prohlédnout a opravit.


## 8-6 SBĚRACÍ KOŠ


Vak vyprázdněte, vyčistěte a ujistěte se, zda je jeho síťovina prodyšná. (Obr. 23)

## 8-7 KRYT

Spodní stranu krytu sekačky je třeba po každém použití vyčistit, aby se zamezilo hromadění kousků trávy, listí, nečistot atd. Nahromaděná drt' vyvolává korozi, narušuje povrch a může zamezit správnému mulčování. Kryt lze očistit nakloněním sekačky a oškrábáním nečistot vhodným nástrojem (ujistěte se, zda je odpojen kabel zapalovací svíčky).

## 8-8 POKYNY K NASTAVENÍ VÝŠKY

 **UPOZORNĚNÍ:** Nikdy neprovádějte žádné nastavování sekačky bez předchozího vypnutí motoru a odpojení kabelu zapalovací svíčky.

 **UPOZORNĚNÍ:** Před změnou výšky pokosu vypněte sekačku a odpojte kabel zapalovací svíčky. Sekačka je vybavena páčkou centrálního nastavení výšky, jež nabízí celkem 5 poloh.

1. Před změnou výšky pokosu vypněte sekačku a odpojte kabel zapalovací svíčky.
2. Páčka centrálního nastavení výšky nabízí 5 různých poloh.
3. Jestliže chcete výšku pokosu změnit, stlačte nastavovací páčku směrem ke kolu a přesuňte ji nahoru nebo dolů do požadované výšky (Obr. 24). Všechna kola budou ve stejné výšce pokosu.

## 9. POKYNY K ÚDRŽBĚ


### ZAPALOVACÍ SVÍČKA

Používejte pouze originální náhradní zapalovací svíčky. K dosažení nejlepších výsledků vyměňte zapalovací svíčku po každých 100 hodinách práce. (viz PŘÍRUČKA K MOTORU)

### BRZDOVÉ DESTIČKY


V servisu si nechte pravidelně kontrolovat nebo měnit brzdové destičky motoru. K výměně lze použít pouze originální díly.

## 10. POKYNY K MAZÁNÍ

 **UPOZORNĚNÍ:** PŘED PROVÁDĚNÍM ÚDRŽBY ODPOJTE ZAPALOVACÍ SVÍČKU.


1. KOLA – nejméně jednou za sezónu namažte olejem kuličková ložiska v každém kole.
2. MOTOR – pokyny k mazání naleznete v příručce k motoru.
3. OVLÁDÁNÍ ZASTAVENÍ – alespoň jednou za sezónu promažte olejem kontaktní body držadla ovládání zastavení a příslušné lanko. Ovládání zastavení se musí volně pohybovat oběma směry.

## 11. ČIŠTĚNÍ

 **UPOZORNĚNÍ:** Na motor nestříkejte hadicí. Voda může poškodit motor nebo znečistit palivový systém.

1. Kryt otírejte suchou tkaninou.
2. Hadicí můžete opláchnout spodní kryt po naklonění sekačky tak, aby byla zapalovací svíčka nahore.


### 11-1 VZDUCHOVÝ FILTR MOTORU

 **UPOZORNĚNÍ:** Nedovolte, aby se pěnová vložka vzduchového filtru ucpala nečistotami či prachem.


Vzduchový filtr motoru je třeba vyčistit po 25 hodinách běžného provozu. Pokud sekačku používáte v suchých a prašných podmínkách, je třeba pěnovou vložku pravidelně čistit (viz PŘÍRUČKA K MOTORU).


### ČIŠTĚNÍ VZDUCHOVÉHO FILTRU

1. Model PLM4120N: Zvedněte jazýčky v horní části krytu filtru.  
Model PLM4620N: Vyměňte šroub
2. Sejměte kryt.
3. Filtrační vložku vyperte v mýdlové vodě.  
**NEPOUŽÍVEJTE BENZÍN!**
4. Filtrační vložku vysušte.
5. Na pěnový filtr kápněte několik kapek oleje SAE30 a pevným stisknutím odstraňte všechny přebytečný olej.
6. Filtr namontujte zpět.
7. Uzavřete kryt filtru.

 **POZNÁMKA:** Jestliže je filtr prodřený, opotřeбенý, poškozený nebo pokud jej nelze vyčistit, proveďte jeho výměnu (obr. 25 k modelu PLM4120N).

### 11-2 SEKACÍ NŮŽ

 **UPOZORNĚNÍ:** Před prováděním prací na sekacím noži se ujistěte, zda jste odpojili a uzemnili zapalovací svíčku, abyste zamezili náhodnému spuštění motoru. Při kontaktu se sekacím nožem si chraňte ruce silnými rukavicemi nebo použijte hadr. Sekačku nakloňte podle pokynů v samostatné příručce k motoru. Odmontujte šroub se šestihrannou hlavou a podložku přidržující nůž s adaptérem nože na hřídeli motoru. Z hřídele sejměte nůž a adaptér.

 **VAROVÁNÍ:** Adaptér nože pravidelně kontrolujte, zda nemá praskliny – zvláště pokud narazíte na cizorodý předmět. V případě nutnosti jej vyměňte.

K dosažení nejlepších výsledků je zapotřebí ostrého nože. Nůž můžete po vyjmutí naostřit broušením či opilováním ostří s co nejpevnějším zachováním původního zkosení. Při broušení je mimořádně důležité odebrat z každého ostří stejné množství materiálu, abyste uchovali vyváženost nože. Nesprávně vyvážený nůž bude příliš vibrovat a může případně poškodit motor i sekačku.

Po naostření zajistěte pečlivé vyvážení nože. Vyváženo nože můžete zkontrolovat nasazením na kulatý dřív šroubovák. Z těžší strany odebírejte materiál, až docílíte rovnoměrného vyvážení (**Obr. 26**).

Před namontováním nože s příslušným adaptérem zpět do jednotky namažte hřídel motoru a vnitřní plochu adaptéru nože olejem. Na hřídel namontujte adaptér nože, viz **Obr. 26**. Nůž umístěte číslem dílu směrem od adaptéru. Na noži vyrovněte podložku a namontujte šroub se šestihrannou hlavou. Šroub se šestihrannou hlavou dotáhněte níže uvedeným momentem.

### 11-3 UTAHOVACÍ MOMENT PŘI MONTÁŽI NOŽE

Středový šroub musí být dotažen momentem 35–45 Nm. Zajistíte tak bezpečný provoz zařízení. Správné dotažení VESKERYCH matic a šroubů musí být pravidelně kontrolováno. Po dlouhodobějším používání, zvláště v podmínkách s prašnou půdou, dojde k opotřebení nože a určité ztrátě původního tvaru. Omezí se efektivita sekání a nůž bude třeba vyměnit.

Nůž nahraďte pouze schváleným továrním výrobkem.

Výrobce nenese odpovědnost za možné škody způsobené nevyvážeností nože.

Při výměně je nutné použít originální díl s označením na noži (MAKITA 263001433 pro model PLM4120N; MAKITA 263001451 pro model PLM4620N) (pokud si chcete nůž objednat, obraťte se na místního prodejce nebo zavolejte do naší společnosti).



**VAROVÁNÍ:** Nedotýkejte se rotujícího nože.

### 11-4 MOTOR

Pokyny k údržbě motoru naleznete v samostatné příručce k motoru.

Výměnu motorového oleje provádějte podle pokynů v samostatné příručce k motoru dodané k sekačce.

Pokyny si přečtěte a pečlivě podle nich postupujte.

Za normálních podmínek čistěte vzduchový filtr podle pokynů v samostatné příručce k motoru. V mimořádně prašných podmínkách čistěte filtr vždy po několika hodinách. Slabý výkon a přesycování motoru obvykle naznačují nutnost provedení údržby vzduchového filtru. Při čištění vzduchového filtru nahlédněte do samostatné příručky k motoru přibalené k sekačce.

Jednou za sezónu je třeba vyčistit zapalovací svíčku a seřídít mezeru mezi elektrodami. Na začátku sezóny doporučujeme provést výměnu zapalovací svíčky.

Informace o správném typu svíčky a vzdálenosti elektrod naleznete v příručce k motoru.

Motor pravidelně čistěte tkaninou nebo kartáčem.

Chladicí systém (oblast pláště ventilátoru) udržujte v čistotě, abyste zajistili správnou cirkulaci vzduchu, jež je nezbytná ke správnému výkonu a dlouhé životnosti motoru. Z oblasti tlumiče odstraňte všechnu trávu, nečistoty a hořlavou drť.

## 12. POKYNY K ULOŽENÍ (MIMO SEZÓNU)

V rámci přípravy sekačky na uložení je zapotřebí provést následující kroky.

1. Po posledním sekání v sezóně vyprázdněte nádrž.

- a) Pumpičkou odsajte benzin z nádrže.



**UPOZORNĚNÍ:** Benzin nevy pouštějte v uzavřených prostorách, v blízkosti otevřeného ohně atd. Nekuřte! Benzinové výpary mohou způsobit výbuch či požár.

- b) Spusťte motor a nechte jej běžet, dokud nespotřebuje všechny zbyvající benzin a nezastaví se.

- c) Vyšroubujte zapalovací svíčku. Do spalovací komory nalijte olejničku přibližně 20 ml oleje. Zatažením za startér zajistěte rovnoměrné promazání spalovací komory. Zašroubujte zpět zapalovací svíčku.

2. Sekačku pečlivě očistěte a promažte podle popisu v části „POKYNY K MAZÁNÍ“.

3. K zamezení vzniku koroze ošetřete tenkou vrstvou mazuiva i sekací nůž.

4. Sekačku uskladněte mimo dosah neoprávněných osob na suchém a čistém místě chráněném před mrazem.



**UPOZORNĚNÍ:** Před uskladněním sekačky musí motor zcela vychladnout.



### POZNÁMKA:

Při skladování jakéhokoli typu motorového zařízení v nedostatečně větraných skladovacích prostorech postupujte následovně:

- Věnujte péči ochraně zařízení proti korozi. Zařízení namažte olejem či silikonem – zvláště pak lanka a pohyblivé díly.
- Dejte pozor, abyste lanka nezohýbali a nezkroutili.
- Jestliže se lanko startéru vyvlékne z vodítka lanka na držadle, odpojte a uzemněte zapalovací svíčku, přitáhněte držadlo ovládání nože a pomalu zatáhněte za startovací lanko směrem od motoru. Startovací lanko provlečte ke šroubu vodítka lanka na držadle.

### Přeprava

Zastavte motor a nechte ho vychladnout. Poté odpojte kabel zapalovací svíčky a vyprázdněte palivovou nádrž podle pokynů v příručce k motoru. Dejte pozor, abyste při tlačení sekačky přes překážky neohnuli či jinak nepoškodili sekací nůž.

## 13. ODSTRAŇOVÁNÍ PROBLÉMŮ

PROBLÉM	PRÁVĚPODOBNÁ PŘÍČINA	NÁPRAVA
Motor nespustí.	Páčka plynu není vzhledem k aktuálním podmínkám ve správné poloze.	Páčku plynu přesuňte do správné polohy.
	Palivová nádrž je prázdná.	Naplňte nádrž palivem: viz PŘÍRUČKA K MOTORU.
	Vložka vzduchového filtru je znečištěná.	Vyčistěte vložku vzduchového filtru: viz PŘÍRUČKA K MOTORU.
	Zapalovací svíčka je povolena.	Zapalovací svíčku dotáhněte momentem 25–30 Nm.
	Kabel zapalovací svíčky je uvolněný nebo odpojený od svíčky.	Na svíčku nasaďte kabel zapalovací svíčky.
	Vzdálenost elektrod zapalovací svíčky je nesprávná.	Nastavte vzdálenost elektrod na 0,7 až 0,8 mm.
	Zapalovací svíčka je vadná.	Namontujte novou svíčku se správně nastavenou vzdáleností elektrod: viz PŘÍRUČKA K MOTORU.
	Karburátor je přesycený.	Vyjměte vložku vzduchového filtru, taháním za lanko startéru vyprázdněte karburátor a vložku filtru nasaďte zpět.
Startování motoru je obtížné nebo motor ztrácí výkon.	Závada modulu zapalování.	Kontaktujte autorizované servisní středisko MAKITA.
	Nečistota, voda nebo zvětralé palivo v nádrži.	Vypusťte palivo a vyčistěte nádrž. Nádrž naplňte čistým a čerstvým palivem.
	Je ucpaný ventilační otvor ve víčku palivové nádrže.	Otvor vyčistěte nebo vyměňte víčko palivové nádrže.
Motor pracuje nepravdělně.	Vložka vzduchového filtru je znečištěná.	Vyčistěte vložku vzduchového filtru.
	Zapalovací svíčka je vadná.	Namontujte novou svíčku se správně nastavenou vzdáleností elektrod: viz PŘÍRUČKA K MOTORU.
	Vzdálenost elektrod zapalovací svíčky je nesprávná.	Nastavte vzdálenost elektrod na 0,7 až 0,8 mm.
Chybí volnoběh motoru.	Vložka vzduchového filtru je znečištěná.	Vyčistěte vložku vzduchového filtru: viz PŘÍRUČKA K MOTORU.
	Vzduchové štěrby v krytu motoru jsou ucpané.	Odstraňte nečistoty z drážek.
	Chladicí žebra a vzduchové kanálky pod pláštěm ventilátoru motoru jsou ucpané.	Odstraňte nečistoty z chladicích žebek a vzduchových kanálků.
Motor ve vysokých otáčkách vynechává.	Mezera mezi elektrodami zapalovací svíčky je příliš malá.	Nastavte vzdálenost elektrod na 0,7 až 0,8 mm.
Motor se přehřívá.	Průtok chladicího vzduchu je omezený.	Odstraňte veškeré nečistoty z drážek v krytu, pláště ventilátoru a vzduchových kanálků.
	Nesprávná zapalovací svíčka.	Do motoru modelu PLM4120N nainstalujte zapalovací svíčku RC12YC nebo QC12YC a chladicí žebra. U modelu PLM4620N namontujte do motoru zapalovací svíčku RJ19LMC a chladicí žebra.
Sekačka abnormálně vibruje.	Sekací sestava je uvolněná.	Dotáhněte nůž.
	Sekací sestava je nevyvážená.	Vyvažte nůž.

## 14. OCHRANA ŽIVOTNÍHO PROSTŘEDÍ

Bude-li nutno zařízení po delším používání vyměnit, nevyhazujte jej do domovního odpadu, ale zajistěte jeho bezpečnou ekologickou likvidaci.

### **Pouze pro evropské země**

### **ES prohlášení o shodě**

**Společnost Makita prohlašuje, že následující stroj(e):**

Popis zařízení:

Benzínová sekačka na trávu

Č. modelu/typ: PLM4120N, PLM4620N

Technické údaje: Viz část „4. TECHNICKÉ ÚDAJE“

**a vyhovuje následujícím evropským směrnicím:**

2004/108/ES, 2006/42/ES, 2000/14/ES a 2005/88/  
ES

Jsou vyrobeny v souladu s následujícími normami nebo standardizovanými dokumenty:

EN ISO 5395-1, EN ISO 5395-2, EN ISO 14982

Technický protokol odpovídající směrnici 2006/42/ES je k dispozici na adrese:

Makita, Jan-Baptist Vinkstraat 2, 3070, Belgie

Postup posuzování shody vyžadovaný směrnicí

2000/14/ES byl v souladu s přílohou VI.

Notifikovaná organizace:

TÜV SÜD Industrie Service GmbH

Westendstrasse 199, D-80686 München, Německo

Identifikační číslo: 0036

PLM4120N

Naměřená hladina akustického výkonu: 93,4 dB

Zaručená hladina akustického výkonu: 96 dB

PLM4620N

Naměřená hladina akustického výkonu: 93,6 dB

Zaručená hladina akustického výkonu: 96 dB

22.8.2014



Yasushi Fukaya

Ředitel

Makita, Jan-Baptist Vinkstraat 2, 3070, Belgie

- |                           |                                  |                                |
|---------------------------|----------------------------------|--------------------------------|
| 1. Zgornja ročica         | 6. Koš za travo                  | 11. Pokrov rezervoarja za olje |
| 2. Ročaj za zaustavitev   | 7. Ročica za nastavev višine     | 12. Sponka za kabel            |
| 3. Ročica zagozde za plin | 8. Ohišje                        | 13. Vijak za fiksiranje        |
| 4. Ročica za zagon        | 9. Vžigalna svečka               | 14. Hitra vožnja               |
| 5. Vodilo vrvi            | 10. Pokrov rezervoarja za gorivo | 15. Počasna vožnja             |

**OPOZORILO**

Zaradi lastne varnosti pred začetkom uporabe nove enote preberite ta priročnik. Neupoštevanje navodil lahko vodi do resnih telesnih poškodb. Vzemite si nekaj trenutkov in se pred uporabo seznanite s svojo kosilnico. Ta priročnik hranite na varnem, tako da vam bodo informacije vedno na voljo. Če opremo izročite drugi osebi, ji izročite tudi ta navodila za uporabo in varnostne predpise.

**Predvidena uporaba**

Opremo je dovoljeno uporabljati samo za opravila, za katera je predvidena. Vsaka drugačna uporaba velja kot zloraba. Za morebitno posledično škodo ali poškodbe odgovarja uporabnik/upravljalavec in ne proizvajalec. Bencinska kosilnica je predvidena za zasebno uporabo, t. j. uporaba doma in na vrtu.

Zasebna uporaba kosilnice pomeni letni obratovalni čas, ki ne presega 50 ur, v katerem se naprava v glavnem uporablja za vzdrževanje manjših trat pred domovi in domačih vrtov. Javne površine, športne dvorane in kmetijska/gozdarska uporaba niso vključene.

Upoštevajte, da naša oprema ni bila predvidena za komercialno, trgovsko ali industrijsko uporabo. Če napravo uporabljate v komercialne, trgovske ali industrijske namene ali podobno, naša garancija preneha veljati.

Upoštevati in sklicevati se je treba na navodila za uporabo, ki jih je priložil proizvajalec, da zagotovite pravilno uporabo in vzdrževanje kosilnice. Navodila vsebujejo dragocene informacije o uporabi, vzdrževanju in servisiranju.

Pomembno! Zaradi visokega tveganja telesnih poškodb uporabnika kosilnice ni dovoljeno uporabljati za striženje grmičevja ali žive meje, rastlinja, na zelenih strehah ali za košnjo trave na balkonu, za čiščenje (vsesavanje) umazanije in nesnagne na pločnikih ali za rezanje dreves ali grmičevja. Poleg tega kosilnice ni dovoljeno uporabljati kot električni kultivator za izravnavanje visokih območij, kot so krtine.

Zaradi varnosti kosilnice ni dovoljeno uporabljati kot pogonsko enoto za druga delovna orodja ali kakršne koli sklope orodij.

## 1. SIMBOLI, OZNAČENI NA IZDELKU (na zadnjem pokrovu)



Preberite uporabniški priročnik.



Ne dovolite blizu nepooblaščenim osebam.



Da bi se izognili poškodbam, pazite pri delu s kosilnico na noge in roke.



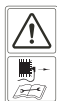
Strupeni hlapi; ne uporabljajte v zaprtih prostorih.



Gorivo je vnetljivo. Hranite izven doseg a ognja. Ne dodajajte goriva, ko je stroj v teku.



Iz varnostnih razlogov med košnjo uporabite zaščitna očala in čepke za ušesa.



Preden se lotite popravila kosilnice, odstranite vžigalno svečko in sledite navodilom za uporabo.



Pozor: Motor je vroč.



Sprostite pretični ročaj, da ustavite motor.

## 2. SPLOŠNA VARNOSTNA PRAVILA



**OPOZORILO:** Da bi se izognili telesnim poškodbam in/ali okvari stroja, pri uporabi strojev na bencin upoštevajte osnovna varnostna priporočila, vključno s sledečimi.

Preberite vsa navodila pred upravljanjem tega izdelka in hranite ta navodila za prihodnjo uporabo.





**OPOZORILO:** Kosilnica med delovanjem proizvaja elektromagnetno polje. V nekaterih primerih lahko polje vpliva na aktivne ali pasivne medicinske vsadke. Če želite zmanjšati tveganje za težje ali smrtno poškodbe, priporočamo, da se osebe z medicinskimi vsadki pred uporabo kosilnice posvetujejo s svojim zdravnikom in proizvajalcem medicinskega vsadka.

## Usposabljanje

- Pozorno preberite navodila. Bodite seznanjeni s funkcijami za upravljanje in z ustrezno uporabo dodatne opreme. Naučite se, kako hitro ustaviti motor.
- Uporabite kosilnico samo za namen, za katerega je bila oblikovana, npr. za rezanje in zbiranje trave. Katera koli druga uporaba bi lahko bila nevarna in povzročila poškodbe na stroju. Primeri nepravilne uporabe vsebujejo naslednje, vendar niso omejeni zgolj na to:
  - transport ljudi, otrok ali živali na stroju;
  - transport s strojem;
  - uporaba stroja za vlečenje ali potiskanje tovorov;
  - uporaba stroja za zbiranje listov ali ostankov;
  - uporaba stroja za striženje žive meje ali rezanje rastlin, ki niso trava;
  - raba stroja s strani več oseb;
  - uporaba rezila na površinah, kjer ni trave.
- Nikoli ne dovolite uporabe kosilnice otrokom ali osebam, ki niso seznanjene s temi navodili. Lokalni predpisi lahko omejijo starost uporabnika naprave.
- Nikoli ne uporabljajte kosilnice:
  - kadar so v bližini ljudje, zlasti otroci ali hišni ljubljenci;
  - če je upravljevalec pod vplivom zdravil ali snovi, ki prizadenejo njegovo sposobnost za reagiranje in koncentracijo.
- Zapomnite si, da je upravitelj ali uporabnik odgovoren za nesreče ali nevarnosti, ki se zgodijo drugim ljudem ali njihovi lastnini.
- Upravljevalec mora biti ustrezno usposobljen za uporabo, nastavitve in upravljanje stroja, vključno s prepevedanimi postopki.

## Priprava

- Med kajenjem vedno nosite primerno obutev in dolge hlače. Naprave ne uporabljajte, ko ste bos ali nosite odprte sandale.
- Temeljito preglejte območje, kjer boste opremo uporabljali, in odstranite vse predmete, kot so kamni, igrače, veje in žice, ki bi jih lahko naprava izvrgla.
- **OPOZORILO-** Bencin je visoko vnetljiv.
  - hranite gorivo v zbiralnikih, posebej izdelanih za ta namen;
  - gorivo dolivajte le na prostem; med dolivanjem goriva ne kadite;
  - dodajte gorivo pred zagonom motorja. Ko je kosilnica v teku ali pa je še vroča, ne smete nikoli odstraniti pokrova rezervoarja ali dolivati goriva;
  - če pride do razlitja goriva, kosilnico umaknite na suho mesto in je ne poskušajte zagnati na kraju razlitja; dokler hlapi povsem ne izginejo bodite pozorni, da ne pride do stika z virom vžiga;

- pokrove pravilno namestite nazaj.
- Zamenjajte okvarjene glušnike.
- Pred uporabo vedno preglejte napravo, da vidite ali so rezila, vijaki rezil in montažni deli rezil obrabljeni ali poškodovani. Ob zamenjavi zamenjajte vsa obrabljena rezila in vijake, da ohranite ravnotežje.
- Redno preverjajte, ali vse zagonске blokade in nadzorni elementi za prisotnost upravljalca pravilno delujejo.

## Upravljanje

- Ne uporabljajte stroja v zaprtih prostorih, kjer se lahko kopiči nadvse nevaren ogljikov monoksid.
- Naprave ne uporabljajte, če ste utrujeni, bolni ali pod vplivom alkohola ali drugih zdravil.
- **Opozorilo!** Kosilnice ne uporabljajte, če obstaja nevarnost udara strele.
- Priporočljivo je, da čas uporabe omejite ter tako zmanjšate nevarnosti zaradi hrupa in treslajev.
- Pri uporabi kosilnice na klančih ali v bližini prepadov, jarkov ali brežin bodite previdni.
- Kosite samo podnevi ali ob dobri umetni svetlobi.
- Izogibajte se uporabljanju naprave na mokri travi, kjer drsi.
- Vedno bodite previdni, kadar stopate po pobočjih.
- Hodite, ne tecite.
- Za vrteče se naprave na kolesih; kosite prečno po pobočju, nikoli gor in dol.
- Kadar na pobočjih menjujete smer, bodite izjemno previdni.
- Ne kosite pri izredno nagnjenih pobočjih.
- Bodite izjemno previdni kadar greste s kosilnico vzvratno ali jo vlečete proti sebi.
- Ustavite rezilo(a), če morate kosilnico nagniti, ko se pomikate po drugih površinah in na travi in, ko kosilnico vodite do in z območja, ki ga želite pokositi.
- Kosilnice ne uporabljajte z okvarjenimi varovalni ali brez varnostnih naprav, kot npr. deflektorjev in/ali nameščenega koša za travo.
- **Pozor:** Kosilnice ni dovoljeno uporabljati brez nameščenega celotnega lovilnika trave ali samozapiralnega varovala izmetne odprtine.
- Ne spreminjajte regulacij motorja in pazite, da ne pride do preobremenitve motorja.
- Ne spreminjajte ali prilagajajte nobenih tesnilnih elementov za nadzor hitrosti stroja.
- Varnostnih sistemov kosilnice ni dovoljeno spreminjati ali izklapljati.
- Pred zagonom izklopite vse priključke prenosa na rezila in kolesa.
- Pazljivo, v skladu z navodili zaženite stroj; pri tem bodite pozorni, da so vaše noge in roke dovolj oddaljene od rezila oz. rezil.
- Ob zagonu kosilnice ne nagibajte.
- Motorja ne zaganjajte, ko stojite pred koritom za izločanje.
- Ne postavljajte roke ali noge blizu ali pod vrteče dele. Vedno bodite odmaknjeni od odprtine za izpust.
- Nikoli ne dvigujte ali nosite kosilnice, ko teče motor.
- Ugasnite motor in odklopite kabel vžigalne svečke, prepričajte se, da so se vsi premični sestavni deli kosilnice ustavili, in odstranite ključ:
  - preden odpravite ovire ali očistite korito;
  - pred pregledom, čiščenjem ali delom na kosilnici;

- po dotiku tujega predmeta. Preglejte kosilnico glede poškodb in izvedite popravila preden ponovno zaženete in uporabljate kosilnico;
- če začne kosilnica neobičajno vibrirati (tako pregledjte).
- Ugasnite motor in odklopite kabel vžigalne svečke, pripravite se, da so se vsi premični sestavni deli kosilnice ustavili, in odstranite ključ:
  - kadarkoli zapustite kosilnico;
  - pred točenjem goriva.
- Med izklopom motorja zmanjšajte dovod goriva; če je kosilnica opremljena z ventilom za izklop, ustavite dovod goriva, ko končate s košnjo.
- Uporabite kosilnico samo za namen, za katerega je bila oblikovana, za rezanje in zbiranje trave. Katerakoli druga uporaba bi lahko bila nevarna in povzročila poškodbe na stroju.
- Neustrezno vzdrževanje, uporaba nepravilnih nadomestnih delov ali demontaža ali sprememba varnostnih komponent lahko povzročijo škodo na kosilnici in resne poškodbe uporabnika.
- Uporabljajte samo rezila in nadomestne dele, ki jih priporoča proizvajalec. Uporaba neoriginalnih delov lahko povzroči škodo na stroju in poškodbe uporabnika. Kosilnico ohranjajte v dobrem delovnem stanju.
- Če naprava za zaustavitev rezil ne deluje, se za pomoč obrnite na servisni center.

### Transport in upravljanje

- Kadar je treba stroj upravljati, dvigniti, transportirati ali nagniti, morate:
  - nositi močne delovne rokavice;
  - prijeti stroj na točkah, kjer je oprijem varen, pri tem pa upoštevati težo in porazdelitev teže;
  - uporabiti ustrezno število ljudi glede na težo stroja in značilnosti vozila ali mesta, na katerega jo boste postavili.
- Med transportom trdno pritrdite stroj z vrvmi ali verigami.

### Vzdrževanje in shranjevanje

- Vse matice, čepi in vijaki naj bodo trdno priviti, da zagotovite varno delovanje naprave.
- Nikoli ne shranjujte kosilnice s polnim rezervoarjem v prostorih, kjer lahko hlapi pridejo v stik z ognjem ali drugim virom vžiga.
- Preden kosilnico spravite v zaprti prostor, počakajte, da se motor ohladi; kosilnico pred skladiščenjem očistite in opravite vzdrževanje.
- Da bi zmanjšali nevarnosti požara, poskrbite, da na motorju, glušniku, akumulatorju in rezervoarju za gorivo ni ostankov trave, listja in maščobe.
- Redno pregledujte koš za travo glede obrabljenosti ali okvar.
- Zaradi varnosti zamenjajte obrabljene ali poškodovane dele.
- V primeru, da je potrebno izprazniti rezervoar, to storite na prostem.



**OPOZORILO:** Ne dotikajte se vrtečega rezila.



**OPOZORILO:** Ponovno natočite gorivo v dobro prezračujem območju z ustavljenim motorjem.

## 3. OPIS DELOV (Sl. 1 in 2)

### Vključno

- A: Ključ za vžigalno svečko
- B: Nastavek za mulčenje

## 4. TEHNIČNI PODATKI

Model	PLM4120N	PLM4620N
Vrsta motorja	Serijska B&S 500E	Serijska B&S 625E
Samohodna	Št.	Št.
Delovna prostornina motorja	140 ccm	190 ccm
Nazivna moč	1,9 kW	2,4 kW
Širina rezila	410 mm	460 mm
Prosti tek	2.800/min	2.800/min
Kapaciteta rezervoarja za gorivo	0,8 l	1,0 l
Prostornina oljnega rezervoarja	0,47 l	0,6 l
Kapaciteta koša za travo	50 l	60 l
Neto teža	26,0 kg	31,1 kg
Nastavitev višine	25 – 70 mm, 5 nastavitvev	25 – 70 mm, 5 nastavitvev
Zagotovljena raven zvočne moči na položaju uporabnika (V skladu z EN ISO 5395-1 Priloga F in EN ISO 5395-2, EN ISO 4871)	84,6dB(A) (K=3dB(A))	83,5dB(A) (K = 3dB(A))
Izmerjena raven zvočnega hrupa	93,4dB(A) K=1,93dB(A)	93,6dB(A) K=2,47dB(A)
Zagotovljena raven zvočnega hrupa (v skladu z 2000/14/ES)	96dB(A)	96dB(A)

Model	PLM4120N	PLM4620N
Vibracije (v skladu z EN ISO 5395-1 Priloga G in EN ISO 5395-2)	5,27 m/s <sup>2</sup> K=1,5 m/s <sup>2</sup>	5,738 m/s <sup>2</sup> K=1,5 m/s <sup>2</sup>

## 5. MONTAŽA

### 5-1 MONTAŽA ZLOŽLJIVEGA ROČAJA

- Pritrdite spodnji ročaj na kosilnico z dvema kompletoma vijakov, podložk in zaskočne ročice, kot je prikazano. (SI. 3, SI. 4, SI. 5, SI. 6)
- Zgornji del ročaja sprostite in ga zložite. Zgornji in spodnji del ročaja povežite z dvema kompletoma vijakov, podložk in zaskočne ročice. (SI. 7, SI. 8, SI. 9)
- Namestite vse kable v zareze ročajev. S sponkami jih pripnite na sredino spodnjih ročajev tako, da bodo kablji pritrjeni z zunanje strani kosilnice. V nasprotnem primeru lahko kable priščipnete pri odpiranju/zapiranju zadnjega pokrova ali pa jih izvlečete pri stisku zgornjega ročaja. (SI. 10)

### 5-2 MONTAŽA KOŠA ZA TRAVO

- Za pritrditev: dvignite zadnji pokrov in namestite koš za travo na držaj, ki je na zadnjem delu kosilnice. (SI. 11, SI. 12)
- Za odstranitev: primite pokrov zadaj in ga dvignite ter odstranite koš za travo.

### 5-3 ROČICA ZA ZAGON


Potegnite ročico za zagon od motorja proti vodilu vrvi. (SI. 13, SI. 14)

### 5-4 VIŠINA REZA

S pritiskom sprostite ročico iz držala. Premaknite ročico naprej ali nazaj, da nastavite višino. (SI. 15 in glejte razdelek 8-8)

## 6. NASTAVLJANJE USTREZNE VIŠINE

- Izvelcite zaskočno ročico, ki fiksira spodnji ročaj. (SI. 16)
- Glejte sl. 17, premaknite spodnji ročaj gor ali dol ter nastavite želeno višino.  
Pri tem modelu kosilnice lahko izbirate med tremi položaji za višino; višina 1 je najvišja (spodnja ročka pri tleh), višina 3 pa je najnižja.
- Nastavite želeno višino in fiksirajte spodnji ročaj z zaskočno ročico.

 **OPOZORILO:** Leva in desna stran spodnjega ročaja morata biti nastavljena na isti višini.

## 7. 2 V 1

Kosilnice je poleg osnovnega načina uporabe mogoče prilagoditi tudi za druge namene: od kosilnice z zadnjim izmetom in kosilnica za mulčenje. Kaj je mulčenje?  
Pri mulčenju kosilnica v enem delovnem koraku travo pokosi, nakar jo drobno zmelje in izvrže na trato, kjer deluje kot naravno gnojilo.

Nasveti za mulčenje:

- Redno košenje za največ 2 cm zagotavlja zelenico visoko od 6 cm do 4 cm.
- Uporabite oster rezalni nož.
- Ne kosite mokre trave.
- Nastavite najv. hitrost motorja.
- Premikajte se s počasnimi koraki.
- Redno čistite zagozdo za mulčenje, notranjost ohišja in premikajoče rezilo.

### ENA: Prilagoditev za kosilnico za mulčenje



**OPOZORILO:** Samo z izključenim motorjem in mirujočim rezilom.

- Dvignite zadnji pokrov in odstranite koš za travo.
- Zagozdo za mulčenje potisnite v ohišje. Z gumbom jo zaklenite v odprtini v ohišju. (SI. 18, SI. 19)
- Ponovno spustite zadnji pokrov.

### DVE: Košenje s košem za travo

- Za košenje s košem za travo odstranite zagozdo za mulčenje in namestite koš za travo.
- Odstranjevanje zagozde za mulčenje.  
- Dvignite zadnji pokrov in odstranite zagozdo za mulčenje.



**OPOZORILO:** Samo z izključenim motorjem in mirujočim rezilom.

## 8. NAVODILA ZA UPRAVLJANJE

### 8-1 PRED ZAČETKOM

V motor nalijte bencin in olje, kot vam narekuje ločeni priročnik za motor, ki je priložen vaši kosilnici. Pozorno preberite navodila.



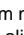

**OPOZORILO:** Bencin je visoko vnetljiv. Gorivo hranite v zbiralnikih, posebej izdelanih za ta namen.

Gorivo nalivajte samo na prostem, pred zagonom motorja in ne kadite, medtem ko nalivate ali ravnate z gorivom. Ko je kosilnica v teku ali pa je še vroča, ne smete nikoli odstraniti pokrova rezervoarja ali dolivati goriva. Če pride do razlitja goriva, kosilnico umaknite na suho mesto in je ne poskušajte zagnati na kraju razlitja; dokler hlapi povsem ne izginejo bodite pozorni, da ne pride do stika z virom vžiga. Pokrove pravilno namestite nazaj. Preden nagnete kosilnico, da bi vzdrževali rezilo ali izpustili olje, iztočite gorivo iz rezervoarja.



**OPOZORILO:** Goriva nikoli ne nalivajte v zaprtih prostorih, z vklopljenim motorjem ali dokler se motor ni hladil vsaj 15 minut po končanem delovanju.

## 8-2 ZAGON MOTORJA IN REZILA

1. Enota je opremljena z gumijastim mehonom na koncu vžigalne svečke. Prepričajte se, ali je kovinska zanka na koncu žice vžigalne svečke (znotraj gumijastega meha) varno nameščena preko kovinske konice na vžigalni svečki.
2. Pred zagonom motorja 3–5 krat pritisnite premazano žarnico. **(SI. 20)**
3. Ko zaganjate hladen motor, obrnite zagozdo ročice za plin v položaj „“. Ko zaganjate vroč motor, obrnite zagozdo ročice za plin v položaj „“. **(SI. 21)**
4. Stojte za kosilnico, primate ročico za zaustavitev in jo držite proti zgornjemu ročaju, kot je prikazano na **SI. 22**.
5. Primate ročico za zagon, kot je prikazano na **SI. 22**, in jo hitro povlecite navzgor. Ko se motor zažene pustite, da se vrne k vodilnemu zatiču vrvice. Spustite ročico za zaustavitev, da zaustavite motor in rezilo.



Motor zaženite pazljivo, v skladu z navodili; pri tem bodite pozorni, da so vaše noge in roke dovolj oddaljene od rezila.



Ob zagonu kosilnice ne nagibajte. Kosilnico zaženite na ravni površini, na kateri ni visoke trave ali ovir.



Roke in noge držite stran od vrtečih delov. Motorja ne zaganjajte, ko stojite pred koritom za izločanje.

## 8-3 POSTOPKI UPRAVLJANJA

Med upravljanjem trdno držite z obema rokama ročico za zaustavitev.



**Opomba:** Ko med upravljanjem spustite ročico za zaustavitev, se ustavi motor in s tem tudi kosilnica.



**OPOZORILO!** Da preprečite nenamerni zagon kosilnice, je ta opremljena z motorno zavoro, ki jo je treba pred zagonom motorja povleči nazaj. Ko izpustite krmilno ročico motorja, se mora ta vrniti na svoj začetni položaj, nakar se mora motor samodejno izključiti.



**Opomba:** Motorna zavora (zavorna ročica): S to ročico zaustavite motor. Ko ročico izpustite, se bosta motor in rezilo samodejno zaustavila. Za košenje držite ročico na delovnem položaju. Pred začetkom košnje večkrat preverite, ali ročica za zagon/zaustavitev pravilno deluje. Zagotovite, da je mogoče vlečni kabel nemoteno uporabljati (da se nikakor ne zatika ali zvija).

## 8-4 ZAUSTAVITEV MOTORJA



**POZOR:** Rezilo se še naprej vrti nekaj sekund, po tem, ko je motor izklopljen.

1. Spustite ročico za zaustavitev, da zaustavite motor in rezilo.
2. Odklopite in ozemljite žico vžigalne svečke kot opisano v ločenem priročniku za motor, da preprečite nenamerni vklop kosilnice, ko ta ni nadzorovana.

## 8-5 ZA NAJBOLJŠE REZULTATE PRI KOŠENJU

Počistite ostanke na trati. Priporočajte se, ali na trati ni kamnov, palic ali drugih tujkov, ki bi jih lahko kosilnica nenamerno vrgla kamorkoli v zrak in s tem povzročila hude poškodbe upravljavca ali drugih, kakor tudi poškodovala lastnino in predmete v bližini. Ne kosite mokre trave. Za učinkovito košenje ne kosite mokre trave, saj se ta rada prilepi na spodnjo stran ohišja kosilnice in tako onemogoča pravilno košenje. Ne kosite več kot 1/3 dolžine trave.

Priporočeni rez za košenje je 1/3 dolžine trave. Osnovna hitrost mora biti prilagojena, da se lahko pokošena trava enakomerno razporedi po trati. Za močno rezanje v gosti travi bo mogoče treba uporabiti počasnejšo hitrost, da bo košnja učinkovita. Med košenjem dolge trave boste verjetno morali travo kositi dvakrat, za drugi rez pa boste rezilo verjetno morali spustiti za dodatno 1/3 dolžine in kositi po drugačnem vzorcu kot prvič.

Če boste reze prekrivali drugega z drugim bo to pomagalo pri odstranjevanju preostale pokošene trave na trati. Kosilnica naj vedno deluje ob polnem plinu, da boste zagotovili najboljši rez in najučinkovitejše košenje. Čistite spodnjo stran ohišja.

Po vsaki uporabi morate očistiti spodnjo stran ohišja, da preprečite kopičenje trave, ki lahko prepreči ustrezno mulčenje.

Košenje listja: Tudi košenje listja lahko koristi vaši trati. Ko kosite listje, se prepričajte, ali je suho in ni pregosto razporejeno po trati. Ne čakajte, da z dreves odpade vse listje.



**OPOZORILO:** Če naletite na tujek, zaustavite motor. Odstranite žico z vžigalne svečke, temeljito pregledajte kosilnico glede poškodb in popravite škodo preden ponovno zaženete in upravljate kosilnico. Prekomerne vibracije kosilnice med upravljanjem je oznaka poškodbe. Enota naj se takoj pregleda in popravi.

## 8-6 KOŠ ZA TRAVO

Izpraznite in očistite vrečo, prepričajte se da je čista in da je njeno pletivo prezračeno. **(SI. 23)**

## 8-7 OHIŠJE

Spodnja stran ohišja kosilnice naj bo očiščena po vsaki uporabi, da preprečite kopičenje pokošene trave, listov, umazanije in drugega materiala. Če pustite, da se ti ostanki kopičijo, bodo povzročili nastajanje rje in korozije, kar lahko prepreči ustrezno mulčenje. Ohišje lahko očistite tako, da nagnete kosilnico in strgate ostanke z

ustreznim orodjem (prepričajte se, da je žica vžigalne svečke odklopljena).

## 8-8 NAVODILA ZA NASTAVITEV VIŠINE



**POZOR:** Nikoli ne spreminjajte kosilnice brez, da bi najprej zaustavili motor in odklopili žico vžigalne svečke.



**POZOR:** Preden spreminjate višino košnje, zaustavite kosilnico in odklopite žico vžigalne svečke. Vaša kosilnica je opremljena z ročico za nastavitev osrednje višine, ki ponuja 5 višin.

1. Ustavite kosilnico in odklopite žico vžigalne svečke, preden spreminjate višino rezanja.
2. Ročica za nastavitev osrednje višine vam ponuja 5 različnih višin.
3. Da bi spremenili višino reza, potisnite ročico za nastavitev proti kolesu, in jo premikajte gor in dol, da izberete višino (**SI. 24**). Vsa kolesa bodo na isti višini reza.

## 9. NAVODILA ZA VZDRŽEVANJE

### VŽIGALNA SVEČKA

Uporabite le originalno nadomestno vžigalno svečko. Za najboljše rezultate, zamenjajte vžigalno svečko vsakih 100 ur uporabe. (glejte PRIROČNIK ZA LASTNIKA MOTORJA)

### ZAVORNE OBLOGE

Redno preverjajte in/ali naj vam menjavajo zavorne obloge motorne zavore; za zamenjavo uporabljajte samo originalne dele.

## 10. NAVODILA ZA MAZANJE



**POZOR:** PRED SERVISIRANJEM IZKLJUČITE VŽIGALNO SVEČKO.

1. KOLESA – namažite kroglične ležaje vsakega kolesa z lahkim oljem vsaj enkrat na sezono.
2. MOTOR – glejte priročnik za motor glede navodil za mazanje.
3. ROČICA ZA ZAUSTAVITEV – namažite vrtljive točke na ročici za zaustavitev in zavorni kabel z lahkim oljem vsaj enkrat na sezono. Ročica za zaustavitev mora delovati prosto v obe smeri.

## 11. ČIŠČENJE



**POZOR:** Ne polivajte motorja z vodo. Voda lahko poškoduje motor ali onesnaži gorivni sistem.

1. Ohišje obrišite s suho krpo.
2. Nagnite kosilnico tako, da bo vžigalna svečka v zraku in očistite spodnji del ohišja s tekočo vodo.

## 11-1 ČISTILEC ZRAKA V MOTORJU



**POZOR:** Ne dovolite, da bi zračni filter iz pene zamašila umazanija ali prah.

Čistilec zraka v motorju mora biti servisiran (očiščen) po 25 urah običajne košnje. Element iz pene mora biti redno servisiran, če se kosilnica uporablja v prašnatih pogojih. (glejte PRIROČNIK ZA LASTNIKA MOTORJA)

### Za ČIŠČENJE ZRAČNEGA FILTRA

1. Za PLM4120N: Dvignite jeziček na vrhu pokrova filtra. Za PLM4620N: Odstranite vijak.
2. Odstranite pokrov.
3. Umyjte filter v milnici. **NE UPORABLJAJTE BENCINA!**
4. Filter posušite na zraku.
5. Nanesite nekaj kapljic olja SAE30 na filter iz pene in ga močno stisnite, da odteče odvečno olje.
6. Ponovno namestite filter.
7. Zaprite pokrov filtra.



**OPOMBA:** Če je filter scefiran, raztrgan, poškodovan ali ga ne morete očistiti, ga zamenjajte. (**SI. 25 za PLM4120N**)

## 11-2 REZILO



**POZOR:** Preden začnete delati z rezilom, se prepričajte, ali ste odklopili in ozemljili žico vžigalne svečke, da preprečite nenamerni vklop motorja. Roke zaščitite z uporabo močnih rokavic ali krpe in primate rezilo.

Nagnite kosilnico kot je to navedeno v ločenem priročniku za motor. Odstranite šestkotni vijak in podložko, ki pritrujeta rezilo in adapter rezila na ročično gred motorja. Odstranite rezilo in adapter z ročične gredi.



**OPOZORILO:** Redno pregledujte adapter rezila glede razpok, še posebej če naletite na tujek. Po potrebi ga zamenjajte.

Za najboljše rezultate mora biti rezilo ostro. Rezilo lahko ponovno naostrite tako, da ga odstranite in nabrusite ali spilite rezalni rob, in sicer tako, da se čimbolj držite originalne poševnosti roba. Zelo pomembno je, da vsak rezalni rob enako nabrusite, da se prepreči neuravnoveženost rezila. Neustrezna uravnoveženost rezila bo vodila do prekomerne vibracije, kar lahko poškoduje motor in kosilnico. Bodite prepričani, da je rezilo po brušenju uravnoveženo. Rezilo lahko preverite glede uravnoveženosti tako, da pustite rezilo nihati na okroglem ročaju izvijača. Odstranite odvečno kovino na težji strani, dokler rezilo ne niha uravnoveženo. (**SI. 26**) Preden ponovno namestite rezilo in adapter rezila na enoto, namažite ročično gred motorja in notranjo površino adapterja rezila z lahkim oljem. Namestite adapter rezila na ročično gred. Glejte **SI. 26**. Rezilo s številko dela postavite stran od adapterja. Namestite podložko na rezilo

in vstavite šestkotni vijak. Privijte šestkotni vijak do navora, ki je naveden spodaj.

### 11-3 MONTAŽNI NAVOR REZILA

Osrednji vijak mora biti privit na navor 35–45 Nm. Da zagotovite varno delovanje vaše enote. VSE matice in vijaki morajo biti redno pregledani glede pravilnega tesnjenja. Po daljši uporabi, še posebej na peščenih tleh, se bo rezilo obrabilo in nekoliko izgubilo prvotno obliko. Učinkovitost rezanja se zmanjša, zato je treba rezilo zamenjati.

Zamenjajte ga le z dovoljenim tovarniškim nadomestnim rezilom. Proizvajalec ne odgovarja za možne poškodbe zaradi neuravnoteženosti rezila.

Kadar menjate rezilo, uporabite originalni model, ki je naveden na rezilu (MAKITA 263001433 za PLM4120N; MAKITA 263001451 za PLM4620N) (za naročilo rezila se obrnite na lokalnega prodajalca ali pokličite naše podjetje).



**OPOZORILO:** Ne dotikajte se vrtečega rezila.

### 11-4 MOTOR

Glejte ločeni priročnik za motor glede vzdrževanja motorja.

Motorno olje vzdržujte kot je to navedeno v ločenem priročniku za motor, ki je priložen vaši napravi.

Preberite in previdno sledite navodilom.

Čistilec zraka servisirajte pod običajnimi pogoji kot je to navedeno v ločenem priročniku za motor. Očistite vsakih nekaj ur po uporabi v izredno prašnih pogojih. Slabo delovanje motorja in iztekanje ponavadi nakazujeta na potrebno servisiranje čistilca zraka.

Za servisiranje čistilca zraka, glejte ločeni priročnik za motor, ki je priložen vaši napravi.

Vžigalna svečka naj bo očiščena in razdalja naj bo nastavljena enkrat na sezono. Zamenjava vžigalne svečke se priporoča ob začetku vsake sezone košnje; glejte ločeni priročnik za motor glede pravilne vrste svečke in specifikacije razdalje.

Motor očistite redno s krpo ali krtačo. Hladilni sistem (območje ohišja ventilatorja) naj bo čist, da se omogoča ustrezno kroženje zraka, ki je bistveno za zmogljivost in dolgo življenjsko dobo motorja. Prepričajte se, da ste odstranili vso travo, umazanijo in vnetljive ostanke iz območja dušilca.

## 12. NAVODILA ZA SHRANJEVANJE (IZVEN SEZONE)

Naslednji koraki morajo biti upoštevani, da pripravite kosilnico za shranjevanje.

1. Po zadnjem košenju v sezoni izpraznite posodo za gorivo.
  - a) Posodo za gorivo izpraznite s sesalno črpalko.



**POZOR:** Goriva ne črpajte v zaprtih prostorih, v bližini ognja ipd. Pri tem ne smete kaditi! Bencinski hlapi lahko povzročijo eksplozijo ali požar.

- b) Zaženite motor in ga pustite delovati, dokler ne porabi vsega preostalega goriva in se zaustavi.

- c) Odstranite vžigalno svečko. S posodo za olje natočite približno 20 ml olja v zgorevalni prostor. Zaženite zaganjalnik, da se olje v zgorevalnem prostoru enakomerno porazdeli. Zamenjajte vžigalno svečko.

2. Pazljivo očistite in naoljite kosilnico v skladu z navodili za podmazovanje v zgornjem razdelku („NAVODILA ZA MAZANJE“)
3. Rahlo naoljite rezilo, da preprečite korozijo.
4. Kosilnico hranite v suhem in čistem prostoru, kjer ne zmruže in kamor nepooblaščen osebe nimajo vstopa.



**POZOR:** Preden shranite kosilnico, se mora motor popolnoma ohladiti.



**OPOMBA:**

Ko shranjujete katerokoli vrsto električne opreme v neprežračen skladišču ali skladišču za materiale;

- Morate zaščititi opremo pred rjo. Z lahkim oljem ali silikonom premažite opremo, še posebej kable in premikajoče dele.
- Bodite previdni, da ne prepognete ali zavozlate kable.
- Če se vrstica za vžig loči od vodila na ročici, odklopite in ozemljite žico vžigalne svečke, stisnite ročico za upravljanje rezila in počasi izvlecite vrstico za vžig iz motorja. Pustite, da vrstica za vžig spolzi v vodilni zatič na ročici.

### Transport

Izključite motor in počakajte, da se motor ohladi. Nato odklopite žico vžigalne svečke in izpraznite rezervoar za gorivo, kot je opisano v priročniku motorja. Pazite, da ne zvijete ali poškodujete rezila, ko kosilnico potiskate prek ovir.

## 13. ODPRAVLJANJE TEŽAV

TEŽAVA	MOREBITNI VZROK	ODPRAVILO NAPAKE
Motor se ne zažene.	Zagozda ročice za plin ni v pravilnem položaju za trenutne pogoje.	Premaknite zagozdo ročice za plin v pravilen položaj.
	Rezervoar za gorivo je prazen.	Natočite rezervoar z gorivom: glejte PRIROČNIK ZA LASTNIKA MOTORJA.
	Čistilec zraka je umazan.	Očistite čistilec zraka: glejte PRIROČNIK ZA LASTNIKA MOTORJA.
	Odvijte vžigalno svečko.	Privijte vžigalno svečko na 25 - 30 Nm.
	Zrahljana ali odklopljena žica vžigalne svečke.	Namestite žico vžigalne svečke na vžigalno svečko.
	Nepravilna razdalja vžigalne svečke.	Nastavite razdaljo elektrod od 0,7 do 0,8 mm.
	Vžigalna svečka je okvarjena.	Namestite novo svečko s pravilno razdaljo: glejte PRIROČNIK ZA LASTNIKA MOTORJA.
	Uplinjač je poplavljen z gorivom.	Odstranite čistilec zraka in večkrat povlecite vrvico za vžig, dokler se uplinjač ne očisti sam in nato ponovno namestite čistilec zraka.
	Napačen modul vžiga.	Kontaktirajte pooblaščen servisni center podjetja Makita.
Motor se težko zažene ali izgublja moč.	V rezervoarju je umazanija, voda ali staro gorivo.	Izpraznite gorivo in očistite rezervoar. V rezervoar natočite čisto, sveže gorivo.
	Odprtina za prezračevanje v pokrovu rezervoarja je zamašena.	Očistite ali zamenjajte pokrov rezervoarja.
	Čistilec zraka je prašen.	Očistite čistilec zraka.
Motor deluje neenakomerno.	Vžigalna svečka je okvarjena.	Namestite novo svečko s pravilno razdaljo: glejte PRIROČNIK ZA LASTNIKA MOTORJA.
	Nepravilna razdalja vžigalne svečke.	Nastavite razdaljo elektrod od 0,7 do 0,8 mm.
	Čistilec zraka je umazan.	Očistite čistilec zraka: glejte PRIROČNIK ZA LASTNIKA MOTORJA.
Motor slabo teče.	Čistilec zraka je umazan.	Očistite čistilec zraka: glejte PRIROČNIK ZA LASTNIKA MOTORJA.
	Prezračevalne reže ohišja motorja so zamašene.	Odstranite umazanijo z rež.
	Hladilna rebra in zračni prehodi pod ohišjem ventilatorja motorja so zamašeni.	Odstranite umazanijo s hladilnih reber in zračnih prehodov.
Motor preskakuje ob višji hitrost.	Razdalja med elektrodami vžigalne svečke je premajhna.	Nastavite razdaljo elektrod od 0,7 do 0,8 mm.
Motor se pregreva.	Hlajenje zračnega toka je ovirano.	Odstranite umazanijo iz rež ohišja motorja, ohišja ventilatorja, zračnih prehodov.
	Nepravilna vžigalna svečka.	Pri PLM4120N na motor namestite vžigalno svečko RC12YC ali QC12YC in hladilna rebra. Pri PLM4620N namestite RJ19LMC vžigalno svečko in hladilna rebra na motor.
Kosilnica neobičajno vibrira.	Rezilo je zrahljano.	Privijte rezilo.
	Rezilo ni uravnoteženo.	Uravnotežite rezilo.

## 14. OKOLJE

Če boste po daljši uporabi morali zamenjati napravo, je ne odvrzite med gospodinjske odpadke ampak jo odstranite na okolju prijazen način.

### Samo za evropske države

#### ES Izjava o skladnosti

**Podjetje Makita izjavlja, da je/so naslednji stroj(i):**

Oznaka stroja:

Kosilnica z bencinskim motorjem

Št. modela / tip: PLM4120N, PLM4620N

Specifikacije: Glejte „4. TEHNIČNI PODATKI“

**v skladu z naslednjimi evropskimi direktivami:**

2004/108/ES, 2006/42/ES, 2000/14/ES in 2005/88/ES

Izdelani so v skladu z naslednjimi standardi in standardiziranimi dokumenti:

EN ISO 5395-1, EN ISO 5395-2, EN ISO 14982

Tehnična datoteka v skladu z 2006/42/ES je na voljo pri:

Makita, Jan-Baptist Vinkstraat 2, 3070, Belgija

Postopek za ugotavljanje skladnosti, ki ga predpisuje

Direktiva 2000/14/ES, je v skladu s prilogo VI.

Priglašeni organ:

TÜV SÜD Industrie Service GmbH

Westendstraße 199, D-80686 München, Nemčija

Identifikacijska številka: 0036

PLM4120N

Izmerjena stopnja jakosti zvoka: 93,4 dB

Zajamčena stopnja jakosti zvoka: 96 dB

PLM4620N

Izmerjena stopnja jakosti zvoka: 93,6 dB

Zajamčena stopnja jakosti zvoka: 96 dB

22.8.2014



Yasushi Fukaya  
Direktor

Makita, Jan-Baptist Vinkstraat 2, 3070, Belgija



**Shpjegim i pamjes së përgjithshme**

- |                                    |                                    |                         |
|------------------------------------|------------------------------------|-------------------------|
| 1. Doreza e sipërme                | 6. Mbledhësja e barit              | 11. Tapa e vajit        |
| 2. Doreza e kontrollit të ndalimit | 7. Leva e rregullimit të lartësisë | 12. Mbjajtësja e kablos |
| 3. Leva e valvulës së shpejtësisë  | 8. Platforma                       | 13. Çelësi i kyçjes     |
| 4. Doreza e ndezjes                | 9. Kandelala                       | 14. Shpejtësi e lartë   |
| 5. Udhëzuesi i litarit             | 10. Tapa e karburantit             | 15. Shpejtësi e ulët    |

**VINI RE**

Për sigurinë tuaj ju lutemi ta lexoni këtë manual para se të përdorni njësinë tuaj. Moszbatimi i udhëzimeve mund të shkaktojë lëndime të rënda personale. Kaloni pak kohë për tu familiarizuar me përdorimin e kositëses para përdorimit. Mbjajeni këtë manual në një vend të sigurt, në mënyrë që informacioni të jetë kurdoherë i disponueshëm. Nëse ia jepni pajisjen një personi tjetër, jepini edhe udhëzimet e përdorimit dhe rregulloren e sigurisë.

**Përdorimi i caktuar**

Pajisja duhet të përdoret vetëm për funksionet e parashikuara. Çdo përdorim tjetër quhet keqpërdorim. Përdoruesi/operatori dhe jo prodhuesi do të quhen përgjegjës për dëmtime ose lëndime të shkaktuara si rezultat i kësaj.

Kositësi i barit me benzinë synohet të ketë përdorim privat d.m.th. pritë të përdoret në shtëpi dhe kopshtari.

Përdorimi privat i kositëses së barit i referohet një kohe përdorimi vjetore dhe i referohet një kohe përdorimi vjetore që zakonisht nuk kalon 50 orë pune, kohë gjatë së cilës makineria përdoret kryesisht për të mirëmbajtur lëndina të vogla, banimi dhe kopshte shtëpiake/për argëtim. Përjashtohet përdorimi nëpër ambiente publike, hapësira sportive dhe përdorime bujqësore/pyjore.

Ju lutemi të vini re se pajisjet tona nuk janë projektuar për përdorime tregtare, profesionale ose industriale. Garancia jonë bëhet e pavlefshme nëse makineria përdoret për qëllime tregtare, profesionale ose industriale apo për qëllime të barasvlershme.

Udhëzimet e përdorimit që jepen nga prodhuesi duhet të ruhen dhe të përdoren për t'u siguruar që kositësi i barit të përdoret dhe mirëmbahet si duhet. Udhëzimet përmbajnë informacion të vlefshëm për përdorimin, mirëmbajtjen dhe kryerjen e shërbimit.

E rëndësishme! Për shkak të rrezikut të lartë për lëndim trupor të përdoruesit, kositësi i barit nuk duhet të përdoret për krasitjen e shkurreve, gardheve ose gëmushave apo për të prerë bimësinë e lartë, çatitë ose ballkonet për të pastruar (thithur) ndotjen dhe mbetjet e vendkalimeve apo për të krasitur pemët apo gardhet. Për më tepër, kositësi i barit nuk duhet të përdoret si kultivues i motorizuar për të niveluar zona me lartësi si pargjet e dheut.

Për arsye sigurie, kositësi i barit nuk duhet të përdoret si njësi drejtimi për vegla pune apo paketa veglash të asnjë lloji.

**1. SIMBOLET E SHËNUARA MBI PRODUKT (në kapakun e pasmë)**

Lexoni manualin e përdorimit.



Mbjajeni larg kalimtarët.



Kushtojni më shumë kujdes duarve dhe këmbëve të përdoruesit për të shmangur lëndimet.



Avuj toksikë; Mos e përdorni brenda shtëpisë.



Karburanti është i ndezshëm, mbajeni larg zjarrit. Mos hidhni karburant me pajisjen ndezur.



Kur kositni, mbani syze dhe kufje për mbrojtjen e vetë përdoruesit.



Kur ta riparoni, hiqeni kandelën dhe në vijim riparojeni sipas manualit të përdorimit.



Kujdes: Motori i nxehtë.



Lëshoni dorezën çelës për të fikur motorin.

## 2. RREGULLA TË PËRGJITHSHME TË SIGURISË



**VINI RE:** Kur përdorni vegla me naftë, duhet të merrni masat paraprake të sigurisë, duke përfshirë të mëposhtmet, për të zvogëluar rrezikun e lëndimeve të rënda personale apo dëmtimin e pajisjes. Lexojini këto udhëzime përpara se ta vini në punë produktin dhe ruajini udhëzimet për referencë të mëvonshme.



**VINI RE:** Kjo pajisje prodhon fushë elektromagnetike gjatë punës. Në kushte të caktuara, fusha mund të interferojë me implantet aktive apo pasive mjekësore. Për të zvogëluar rrezikun e lëndimeve të rënda apo vdekjeprurëse, i këshillojmë personat me implante mjekësore të konsultohen me doktorin dhe prodhuesin e implantit mjekësor përpara se të punojnë me pajisjen.

### Trajnimi

- Lexojini udhëzimet me kujdes. Familjarizohuni me komandat dhe me përdorimin e duhur të pajisjes. Mësoni si ta ndaloni motorin shpejt.
- Përdorini kositësen vetëm për qëllimin për të cilin është projektuar, pra, për prerjen dhe mbledhjen e barit. Çdo përdorim tjetër mund të jetë i rrezikshëm dhe i shkakton dëme makinës. Shembuj të përdorimit jo të saktë mund të përfshijnë, por nuk kufizohen me:
  - transportimin e personave, fëmijëve ose kafshëve me këtë makineri;
  - transportimin me anë të makinerisë;
  - përdorimin e makinerisë për të tërhequr ose shtyrë ngarkesa;
  - përdorimin e makinerisë për mbledhjen e gjetheve ose mbetjeve të ngurta;
  - përdorimin e makinerisë për të krasitur gardhet dekoruese ose për të prerë bimësi të tjera përveç barit;
  - përdorimin e makinerisë nga më shumë se një person;
  - përdorimin e tehut në sipërfaqe të tjera përveç atyre me bar.
- Mos u lejoni kurrë fëmijëve apo personave që nuk i njohin këto udhëzime, të përdorin kositësen. Rregullat vendore mund të kufizojnë moshën e përdoruesit.
- Mos e përdorni kurrë kositësen:
  - nëse keni njerëz pranë, sidomos fëmijë ose kafshë shtëpiake;
  - nëse përdoruesi ka përdorur medikamente ose substanca që mund të ndikojnë në aftësinë e tij për të reaguar ose për t'u përqendruar.
- Kini parasysh se manovruesi apo përdoruesi është përgjegjës për aksidentet apo rreziqet që mund t'u ndodhin personave të tjerë apo pronës së tyre.
- Përdoruesit duhet të pajisen me trajnimin përkatës gjatë përdorimit, përshtatjes dhe funksionimit të makinerisë, duke përfshirë funksionimin e ndaluar.

### Përgatitja

- Gjatë kositjes, vishni gjithnjë këpucët e duhura dhe pantallona të gjata. Mos e përdorni pajisjen kur jeni zbathur apo kur keni veshur sandale të hapura.
- Të kontrollohen imtësisht zonat ku do të përdoret pajisja dhe të largohen të gjitha objektet si gurë, lodra, shkopinj dhe tela, të cilat mund të vërtiten nga makineria.
- VINI RE - Nafta është tepër e ndezshme.
  - ruajini karburantin në kontejnerët e krijuar posaçërisht për këtë qëllim;
  - rimbusheni me karburant vetëm në mjedise të jashtme dhe mos pini duhan gjatë rimbushjes;
  - hidhni karburant përpara se të ndizni motorin. Mos e hiqni kurrë tapën e serbatorit dhe as mos hidhni naftë kur motori është në punë ose kur është i nxehtë;
  - nëse derdhet nafta, mos u përqipni ta ndizni motorin, por largojeni pajisjen nga zona e derdhjes dhe shmangni krijimin e burimeve të zjarrit derisa të jenë larguar avujt e naftës;
  - vendosini me kujdes tapat e serbatorit dhe të kontejnerit.
- Zëvendësojini zhurmëmbytësit me defekt.
- Përpara përdorimit, inspektoni gjithnjë me sy për të parë nëse tehet, vidat e teheve dhe grupi i kositjes kanë shenja konsumi apo dëmtimi. Ndërrojini tehet e konsumuara apo të dëmtuara dhe bulonat e grupeve për të ruajtur drejtpeshimin.
- Të kontrollohet rregullisht për t'u siguruar që të gjithë bashkuesit dhe kontrollet e pranisë së përdoruesit të funksionojnë si duhet.

### Përdorimi

- Mos e përdorni pajisjen në hapësira të mbyllura ku mund të mblihdhen avujt e monoksidit të karbonit.
- Mos e përdorni makinerinë kur jeni të lodhur, të sëmurë apo nën ndikimin e alkoolit dhe lëndëve narkotike të tjera.
- Vini re! Mos e përdorni kositësin e barit kur ka rrezik për vetëtimta.
- Rekomandohet që të kufizohet kohëzgjatja e përdorimit për të minimizuar rrezikun nga zhurma dhe dridhjet.
- Kini kujdes kur përdorni kositësin e barit në pjerrësi dhe pranë disniveleve, kanaleve apo argjinaturave.
- Kositni vetëm në dritë të diellit ose në dritë të mirë artificiale.
- Shmangni përdorimin e pajisjes në bar të lagur, kur të mundeni.
- Shkelni gjithnjë mirë në zona të pjerrëta.
- Ecni, mos vraponi asnjëherë.
- Për pajisjet rotative me rrota, kositni përgjatë ballinës së pjesëve të pjerrëta, asnjëherë lart e poshtë.
- Bëni kujdes të veçantë kur ndryshoni drejtimin në zonat e pjerrëta.
- Mos kositni në zona me pjerrësi shumë të madhe.
- Bëni kujdes të veçantë kur shkoni mbrapsht apo kur tërhiqni kositësen drejt vetes.
- Ndalojini tehet nëse kositësja duhet anuar për transportim kur kaloni në sipërfaqe ku nuk ka bar dhe kur e transferoni prej apo në zonën e kositjes.
- Mos e përdorni kurrë kositësen me mbrojtëse me defekt ose pa pajisje sigurie, për shembull deflektorë

dhe/apo mbledhëse bari të vendosura në vendin e duhur.

- Kujdes: Kositësi i barit nuk duhet të përdoret pa patur grumbulluesin e barit apo mbrojtësen e shkarkimit me vetë-mbyllje të vendosur.
- Mos i ndryshoni cilësimet bazë që kontrollojnë motorin apo ta përdorni së tepërmi atë.
- Mos ndryshoni ose mos ngacmoni puthitjet për kontrollin e shpejtësisë së motorit.
- Sistemet ose veçoritë e sigurisë së kositësit të barit nuk duhet të ngacmohen ose çaktivizohen.
- Çaktivizoni të gjitha tehet dhe friksionet e drejtimit përpara se të ndizni motorin.
- Ndizeni motorin me kujdes sipas udhëzimeve dhe me këmbët larg tehut(eve).
- Mos e anoni kositësen e barit kur ndizni motorin.
- Mos e ndizni motorin kur jeni duke qëndruar përpara marmitës.
- Mos i vendosni duart apo këmbët pranë apo nën pjesët rrotulluese. Qëndroni gjithmonë larg hapjes së shkarkimit.
- Mos e ngrini dhe mos e mbani ngritur në ajër kositësen e barit kur motori është në punë.
- Ndalojeni motorin dhe shkëputni telin e kandelës, sigurohuni se të gjitha pjesët lëvizëse kanë ndaluar dhe kur ka çelës të futur, hiqni çelësin:
  - përpara se të pastroni pengesat apo të zhblokoni marmitën;
  - përpara se të kontrolloni, pastroni apo punoni mbi kositëse;
  - pasi keni goditur sende të jashtme. Inspektoni kositësen e barit për dëmtime të mundshme dhe bëni riparimet përpara se ta ndizni dhe ta vini kositësen në punë;
  - nëse kositësja e barit fillon të dridhet në mënyrë anormale (kontrolloni menjëherë).
- Ndalojeni motorin dhe shkëputni telin e kandelës, sigurohuni se të gjitha pjesët lëvizëse kanë ndaluar dhe kur ka çelës të futur, hiqni çelësin:
  - kur e lini kositësen e barit pa punë;
  - përpara rimbushjes me karburant.
- Ulini cilësimin e shpejtësisë gjatë mbylljes së motorit dhe, nëse motori ka valvulë mbylljeje, mbylleni karburantin me përfundimin e kositjes.
- Përdoreni kositësen vetëm për qëllimin për të cilin është projektuar, për prerjen dhe mbledhjen e barit. Çdo përdorim tjetër mund të jetë i rrezikshëm dhe i shkakton dëme makinës.

### Mirëmbajtja dhe ruajtja

- Mbajini të gjitha dadot, bulonat dhe vidat të shtrënguara për t'u siguruar që pajisja të jetë në kushte të sigurta pune.

## 4. TË DHËNA TEKNIKE

Modeli	PLM4120N	PLM4620N
Lloji i motorit	Seria B&S 500E	Seria B&S 625E
Vetërrrotullim	Jo	Jo
Zhvendosja e motorit	140 cm <sup>3</sup>	190 cm <sup>3</sup>

- Mos e ruani kurrë pajisjen me naftë në serbator në ndërtesa ku avujt e karburantit mund të bien në kontakt me zjarrin apo shkëndijat.
- Gjithashtu jepini kohë të ftohet motorit para magazinimit në ndonjë vend; Pastroni dhe mirëmbani kositësin e barit para magazinimit.
- Për të zvogëluar rrezikun e zjarrit, mbajeni motorin, zhurmëmblytësin dhe folenë e baterisë dhe hapësirën e mbajtjes së naftës të pastër nga bari, gjethet apo grasoja e tepërt.
- Kontrolloni shpesh mbledhësen e barit për konsum apo prishje.
- Për siguri, ndërrojni pjesët e konsumuara apo të dëmtuara.
- Nëse serbatori duhet shkarkuar, bëjeni këtë në mjedise të jashtme.
- Mirëmbajtja e gabuar, përdorimi i pjesëve të papërshtatura të këmbimit ose heqja apo modifikimi i pjesëve përbërëse të sigurisë mund të dëmtojë kositësin e barit dhe të lëndojë rëndë përdoruesit.
- Përdorni vetëm tehet e rekomanduara dhe pjesë këmbimi nga prodhuesi. Përdorimi i pjesëve jo-origjinale mund të dëmtojë makinerinë dhe lëndojë përdoruesit. Mbajeni kositësin e lëndinës në gjendje të mirë pune.
- Nëse pajisja e ndalimit të tehut nuk funksionon, kontaktoni me qendrën e shërbimit për ndihmë.

### Transportimi dhe përdorimi

- Sa herë të përdorni, ngrini, transportoni ose anoni pajisjen, ju duhet:
  - të vishni doreza të forta pune;
  - ta kapni makinën në ato pika që ju ofrojnë një kapje të sigurt, duke marrë parasysh peshën dhe shpërndarjen e saj.
  - të përdorni një numër njerëzish që i përshtatet peshës së makinerisë dhe karakteristikave të autometjit ose vendit ku duhet të vendoset ose nga i cili do të merret.
- Gjatë transportimit, shtrëngojeni mirë makinerinë me litarë ose zinxhirë.



**VINI RE:** Mos e prekni tehun gjatë rrotullimit.



**VINI RE:** Rimbusheni në zona me ajrim të mjaftueshëm dhe me motorin e fikur.

## 3. PËRSHKRIMI I PJESËVE (Fig. 1 dhe 2)

### Duke përfshirë

A: Çelësin e kandelës

B: Pyka e mulkimit

Modeli	PLM4120N	PLM4620N
Fuqija nominale	1,9 kW	2,4 kW
Gjerësia e tehut	410 mm	460 mm
Shpejtësia e ndalimit	2800/min	2800/min.
Kapaciteti i serbatorit të karburantit	0,8 L	1,0 L
Kapaciteti i serbatorit të vajit	0,47 L	0,6 L
Kapaciteti i trastës së mbledhjes së barit	50 L	60 L
Pesha neto	26,0 kg	31,1 kg
Rregullimi i lartësisë	25-70 rregullim 5 mm	25-70 rregullim 5 mm
Niveli i garantuar i fuqisë së zhurmës në pozicionin e përdoruesit (Sipas EN ISO 5395-1 Shtojca F dhe EN ISO 5395-2, EN ISO 4871)	84,6dB(A) (K=3dB(A))	83,5dB(A) (K = 3dB(A))
Niveli i matur i fuqisë së zhurmës	93,4dB(A) K=1,93dB(A)	93,6dB(A) K=2,47dB(A)
Niveli i garantuar i fuqisë së zhurmës (Sipas 2000/14/EC)	96dB(A)	96dB(A)
Dridhja (Sipas EN ISO 5395-1 Shtojca G dhe EN ISO 5395-2)	5,27 m/s <sup>2</sup> K=1,5 m/s <sup>2</sup>	5,738 m/s <sup>2</sup> K=1,5 m/s <sup>2</sup>

## 5. MONTIMI

### 5-1 MONTIMI I DOREZËS SË PËRKULJES

- Shtrengoni dorezat e poshtme shufër në trupin e njësisë me dy njësi bulonash, rondelën dhe çelësin e kyçjes siç ilustronhet. (Fig. 3, Fig. 4, Fig. 5, Fig. 6)
- Lëshoni dorezat e sipërme shufër për përkulje. Lidhni dorezën e sipërme me dorezën e poshtme me dy njësitë e bulonave, rondelën dhe çelësin e kyçjes. (Fig. 7, Fig. 8, Fig. 9)
- Vendosni në vend të gjithë kabllo të boshtet e dorezës. Mblidhni rreth mesit të dorezave të poshtme me anë të mbajtëseve të kabllos në mënyrë që të fiksohen nga ana e jashtme e makinerisë. Në të kundërt kabllo mund të bllokohen duke hapur/mbyllur kapakun e pasmë ose të shtyhen duke përkulur dorezën e sipërme. (Fig. 10)

### 5-2 MONTIMI I MBLEDHËSES SË BARIT

- Për ta vendosur: Ngrini kapakun e pasmë dhe vareni mbledhësen e barit në boshtin e pjesës së pasmë të kositesës së barit. (Fig. 11, Fig. 12)
- Për ta hequr: Kapni dhe ngrini kapakun e pasmë, hiqni mbledhësen e barit.

### 5-3 DOREZA E NDEZJES

Lëvizeni dorezën e ndezjes nga motori tek udhëzuesi i litarit. (Fig. 13, Fig. 14)

### 5-4 LARTËSIA E PRERJES

Shtyni me drejtim përpara për të shkëputur levën nga mbajtësja. Lëvizni levën përpara ose prapa për të rregulluar lartësinë. (Fig. 15 dhe shikoni pikën 8-8)

## 6. RREGULLIMI PËR LARTËSI TË PËRSHTATSHME

- Nxirni çelësin e kyçjes që shtrengonte dorezën e poshtme. (Fig. 16)

- Referojuni Fig. 17, lëvizni lart dhe poshtë dorezën e poshtme, rregullojeni në lartësinë e duhur. Mund të zgjidhni 3 lartësi rregulluese në këtë lloj kositëse bari. Në lartësinë 1, doreza e poshtme në tokë është më e larta, lartësia 3 është më e ulëta.
- Rregulloni lartësinë e duhur, pastaj shtrengoni dorezën e poshtme me çelësin e kyçjes.



**VINI RE:** Ana e majtë dhe ana e djathtë e dorezës së poshtme duhet të rregullohen në të njëjtën lartësi.

## 7. 2 NË 1

Këto kositëse bari mund të përshtaten jashtë funksionit të tyre normal, sipas qëllimit:

Nga kositëse bari me shkarkim të pasmë dhe kositëse mulkimi.

Çfarë është mulkimi?

Gjatë mulkimit, bari pritët në një hap pune, pastaj grihet dhe i kthehet tokës si pleh natyral.

Këshilla për kositje me mulkim:

- Shkurtime i rregullt me maks. 2 cm nga 6 cm deri 4 cm lartësi bari.
- Përdorni thikë të mprehtë prerjeje.
- Mos kositni barin e lagur.
- Caktoni shpejtësi maks. të motorit.
- Lëvizni vetëm me ritmin e punës.
- Pastrojini rregullisht pykën e mulkimit, pjesën e brendshme të pajisjes dhe tehuin e kositjes.

## NJË: Përshtatja për kositëse me mulkim



**VINI RE:** Vetëm me motorin e fikur dhe prerësin e ndaluar.

- Ngrini kapakun e pasmë dhe hiqni trastën e mbledhjes së barit.

- Shtyjeni pykën e mulkimit në platformë. Kyçeni pykën e mulkimit me butonin përkatës në hapjen e platformës. (Fig. 18, Fig. 19)
- Uleni sërish kapakun e pasmë.

## DY: Kositja me mbledhësen e barit

- Për të kositur me mbledhësen e barit, hiqni pykën e mulkimit dhe montoni mbledhësen e barit.
- Heqja e pykës së mulkimit.
  - Ngrini kapakun e pasmë dhe hiqni pykën e mulkimit.



**VINI RE:** Vetëm me motorin e fikur dhe prerësin e ndaluar.

## 8. UDHËZIMET E PËRDORIMIT

### 8-1 PËRPARA SE TË NISNI

Mirëmbajeni rregullisht motorin me benzinë dhe vaj sipas udhëzimeve në manualin e posaçëm të motorit të paketuar me kositësen. Lexojni udhëzimet me kujdes.



**VINI RE:** Nafta është tepër e ndezshme.

Ruajeni karburantin në kontejnerët e krijuar konkretisht për këtë qëllim.

Rimbushni vetëm në mjedisë të jashtme, përpara se të ndizni motorin dhe mos pini duhan gjatë rimbushjes apo gjatë punës me karburant.


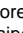
Mos e hiqni kurrë tapën e serbatorit as mos hidhni naftë kur motori është në punë ose kur është i nxehtë. Nëse derdhet nafta, mos u përipiqi ta ndizni motorin, por largojeni pajisjen nga zona e derdhjes dhe shmangni krijimin e burimeve të zjarrit derisa të jenë larguar avujt e naftës.

Vendosini me kujdes tapat e serbatorit dhe të kontejnerit. Përpara se ta anoni kositësen e barit për të ruajtur tehun apo për të kulluar vajin, hiqni karburantin nga serbatori.



**VINI RE:** Mos e mbushni kurrë serbatorin në mjedisë të brendshme, me motorin ndezur ose pa e lënë motorin të jetë ftohur për së paku 15 minuta pas pune.

### 8-2 PËR TË NDEZUR MOTORIN DHE AKTIVIZUAR TEHUN

- Mjeti është i pajisur me gominë në skajin e kandelës, sigurohuni që laku metalik në skajin e telit të kandelës (brenda gominës) të jetë shtrënguar siç duhet mbi majën metalike të kandelës.
- Shtypni llambën e ndezjes 3-5 herë përpara se të ndizni motorin. (Fig. 20)
- Kur ndizni motorin e ftohtë, çojeni levën e valvulës së shpejtësisë në pozicionin “”. Kur ndizni motorin e ngrohtë dhe në punë e sipër, kthejeni levën e valvulës së shpejtësisë në pozicionin “”. (Fig. 21)
- Duke qëndruar pas pajisjes, kapni dorezën e kontrollit dhe mbajeni përkundër dorezës së sipërme siç ilustron në Fig. 22.
- Kapni dorezën e nisjes siç tregohet Fig. 22 dhe tërhiqeni me shpejtësi. Kthejeni me ngadalë në bulonin e udhëzuesit të litarit pas nisjes së motorit. Lëshoni dorezën e kontrollit të ndalimit për të ndaluar motorin dhe tehun.



Ndizeni motorin me kujdes sipas udhëzimeve dhe me këmbët larg tehut.



Mos e anoni kositësen e barit kur ndizni motorin. Niseni kositësen e barit në sipërfaqe të rrafshët, pa bar të lartë apo pengesa.



Mbajini duart dhe këmbët larg pjesëve rrotulluese. Mos e ndizni motorin kur jeni duke qëndruar përpara hapjes së shkarkimit.

### 8-3 PROCEDURAT E PUNËS

Gjatë punës, mbajeni fort dorezën e kontrollit të ndalimit me të dyja duart.



**Shënim:** Gjatë punës, kur lëshohet doreza e kontrollit të ndalimit, motorin do të ndalojë dhe si rezultat do ta ndalojë së punuari kositësen e barit.



**VINI RE!** Për të shmangur ndezjen e paqëllimshme të kositësit të barit, është pajisur me një frenë motori e cila duhet të tërhiqet para se motorin të mund të ndizet. Kur leva e kontrollit të motorit lëshohet duhet të kthehet në pozicionin fillestar, pikë në të cilën motori fiket automatikisht.



**Shënim:** Frena e motorit (doreza e frenës): Përdorni levën për të ndaluar motorin. Kur lëshoni levën, motori dhe tehu ndalojnë automatikisht. Për të kositur, mbajeni levën në pozicionin e punës. Para se të filloni të kositni, kontrolloni shumë herë levën e ndezjes/fikjes për t'u siguruar që funksionon si duhet. Sigurohuni që kablloja e tensionit të mund të përdoret butësisht (d.m.th. të mos ngecet ose përdridhet në asnjë mënyrë).

### 8-4 PËR TË NDALUAR MOTORIN



**KUJDES:** Tehu vazhdon të rrotullohet për pak sekonda pas fikjes së motorit.

- Lëshoni dorezën e kontrollit të ndalimit për të ndaluar motorin dhe tehun.
- Shkëputeni dhe tokëzoheni telin e kandelës siç tregohet në manualin e posaçëm të motorit për të parandaluar nisjen aksidentale kur pajisja është e pambikëqyrr.

### 8-5 PËR REZULTATE MË TË MIRA GJATË KOSITJES

Pastroni fushën e barit nga mbeturinat. Sigurohuni që fusha të jetë pa gurë, shkopin, tela apo gjësende të tjera të huaja që mund të flaken përreth nga kositësja në drejtime të ndryshme duke shkaktuar lëndime të rënda për manovruesin apo njerëz të tjerë si dhe dëmtime të pronës dhe të objekteve rrethuese. Mos prisni barin e lagur. Për kositje efikase mos prisni barin e lagur pasi ka prirje të ngjisë në pjesën e poshtme të platformës duke parandaluar kositjen e duhur të fijeve. Mos prisni më shumë se 1/3 e gjatësisë së barit.

Prerja e rekomanduar për kositje është 1/3 e gjatësisë së barit. Shpejtësia në terren do të duhet rregulluar në mënyrë që pjesët e prera të mund të shpërndahen njëtrajshëm në fushë. Për prerje të rënda në bar të trashë mund të nevojitet përdorimi i një prej shpejtësive më të ngadalta për të pasur prerje me kositjen e duhur. Kur kositni bar me fije të gjata mund t'ju duhet ta prisni në dy kalime, duke e ulur tehun dhe 1/3 tjetër të gjatësisë së barit për prerjen e dytë dhe mbase dhe të prisni në motiv tjetër nga ai i përdorur në kalimin e parë.

Mbivendosja e prerjes në çdo kalim do të ndihmojë në pastrimin e copave të mbetura në fushë. Kositësja duhet të punohet gjithnjë në shpejtësi të plotë për të pasur prerjen më të mirë dhe për t'i mundësuar të kositë më me efikasitet. Pastroni pjesën e poshtme të platformës. Sigurohuni të pastroni pjesën e poshtme të platformës prerëse pas çdo përdorimi për të shmangur mbledhjen e barit, çka do të parandalonte mulkimin e duhur.

Kositja e gjetheve: Kositja e gjetheve mund të jetë gjithashtu e mirë për fushën. Kur kositni gjethe sigurohuni të jenë të thata dhe të mos jenë shumë të dendura mbi fushë. Mos prisni të bien të gjitha gjeteth nga pemët përpara se të kositni.



**VINI RE:** Nëse godisni sende të huaja, ndalojeni motorin. Hiqeni telin nga kandela, inspektoni me kujdes kositësen për dëmtime të mundshme dhe riparojni dëmtimet përpara se të rindizni dhe të vini në punë kositësen. Dridhjet e tepërta të kositëses gjatë përdorimit janë tregues të dëmtimit të pajisjes. Pajisja duhet inspektuar në çast dhe duhet riparuar.

## 8-6 MBLEDHËSJA E BARIT

Zbrazi dhe pastroni trastën, sigurohuni që të jetë e pastër dhe që rrjeta të ajroset. (Fig. 23)

## 8-7 PLATFORMA

Pjesa e poshtme e platformës së kositëses duhet të pastrohet pas çdo përdorimi për të parandaluar mbledhjen e copave të barit, gjetheve, papastërtive apo materialeve të tjera. Nëse lejohen të mbliiden papastërtitë, do të krijohen kushte për ndryshkje dhe gërryerje dhe mund të pengohet mulkimi i duhur. Platforma mund të pastrohet duke e anuar kositësen dhe duke e pastruar me një vegël të posaçme (sigurohuni që keni hequr telin e kandelës).

## 8-8 UDHËZIMET PËR RREGULLIMIN E LARTËSISË



**KUJDES:** Mos i bëni kurrë rregullime kositëses së barit pa ndaluar më parë motorin dhe pa shkëputur telin e kandelës.



**KUJDES:** Përpara se të ndryshoni lartësinë e kositjes, ndalojeni kositësen dhe shkëputni kordonin e kandelës. Kositësja është e pajisur me levë qendrore të rregullimit të lartësisë me 5 nivele.

1. Ndalojeni kositësen dhe shkëputni kordonin e kandelës përpara se të ndryshoni lartësinë e prerjes së kositëses.

- Leva qendrore e rregullimit të lartësisë ofron 5 nivele të ndryshme të lartësisë.
- Për të ndryshuar lartësinë e prerjes, shtypeni levën rregulluese drejt rrotës, duke e lëvizur lart ose poshtë në lartësinë e dëshiruar. (Fig. 24). Të gjitha rrotat do të jenë në të njëjtën lartësi prerjeje.

## 9. UDHËZIMET E MIRËMBAJTJES

### KANDELA

Përdorni vetëm kandela origjinale për ndërrim. Për rezultate më të mira, zëvendësojeni kandelën çdo 100 orë pune. (referojuni MANUALIT TË PËRDORIMIT TË MOTORIT)

### FERROTAT

Kontrolloni dhe/ose ndërroni rregullisht ferrotat e motorit tek agjenti i shërbimit, vetëm pjesë origjinale mund të përdoren si pjesë këmbimi.

## 10. UDHËZIMET PËR VAJOSJEN



**KUJDES:** SHKËPUTENI KANDELËN PËRPARA VEPRIMEVE TË MIRËMBAJTJES.

- RROTAT - Vajosni kushinetat e çdo rrote së paku një herë për seancë me vaj të lehtë.
- MOTORI - Ndiqni manualin e motorit për udhëzime të vajosjes.
- KONTROLLI I NDALIMIT-Vajosni me vaj të lehtë boshtet e rrotullimit në dorezën e kontrollit të ndalimit dhe kabllot të paktën një herë në çdo stinë. Kontrolli i ndalimit duhet të punojë në të dyja drejtimet.

## 11. PASTRIMI



**KUJDES:** Mos e lani motorin me ujë me zorrë. Uji mund të dëmtojë motorin ose të ndotë sistemin e karburantit.

- Pastrojeni platformën me leckë të thatë.
- Pastroni me zorrë nën platformë duke e anuar kositësen në mënyrë që kandela të jetë lart.

### 11-1 PASTRUESI I AJRIT TË MOTORIT



**KUJDES:** Mos lejoni mbledhjen e papastërtive apo të pluhurit sa të blokojnë elementin me shumë të filtrit të ajrit.

Elementi i pastrimit të ajrit të motorit duhet të mirëmbahet (pastrohet) pas 25 orësh kositjeje normale. Elementi me shumë duhet të mirëmbahet rregullisht nëse kositësja përdoret në kushte të thata dhe pluhuri. (referojuni MANUALIT TË PËRDORIMIT TË MOTORIT)

### Për të PASTRUAR FILTRIN E AJRIT

- Për PLM4120N: Ngrini pykat sipër kapakut të filtrit. Për PLM4620N: Hiqni vidat.
- Hiqni kapakun.

- Pastrojeni elementin e filtrit në ujë me sapun. **MOS PËRDORNI BENZINË!**
- Thajeni me ajër elementin e filtrit.
- Hidhni disa pika vaji SAE30 në filtrin me shkurmbë dhe shtypeni mirë për të larguar vajin e tepër.
- Riinstaloni filtrin.
- Mbyllni kapakun e filtrit.



**SHËNIM:** Zëvendësojeni filtrin nëse është ngrënë, konsumuar, dëmtuar apo nëse nuk mund të pastrohet. (Fig. 25 për PLM4120N)

## 11-2 TEHU I PRERJES



**KUJDES:** Sigurohuni ta shkëputni dhe ta tokëzoni telin e kandelës përpara se të punoni mbi tehun e prerjes, për të parandaluar ndezjen aksidentale të motorit. Mbroni duart duke përdorur doreza të trasha apo stof të trashë për të kapur tehet e prerjes. Anojeni kositësen siç përcaktohet në manualin e posaçëm të motorit. Hiqni bulonin heksagonal dhe rondelën që mbajnë tehun dhe grupin e tehut në boshtin e motorit. Hiqni tehun dhe grupin nga boshti.



**VINI RE:** Inspektoni kohë pas kohe grupin e tehut për plasaritje, sidomos nëse keni goditur sende të huaja. Ndërrojeni nëse është e nevojshme.

Për rezultate më të mira, tehu duhet të jetë i mprehtë. Tehu mund të rimprihet duke e hequr dhe duke e smeriluar apo limuar për të ruajtur sa më shumë mprehjen fillestare. Është tejet e rëndësishme që çdo anë e tehut të mprihet njësoj për të shmangur luhatjen në drejtpeshim. Nëse tehu nuk ka drejtpeshimin e duhur do të ketë dridhje të tepërta që shkaktojnë eventualisht dëmtimin e motorit dhe të kositëses. Sigurohuni ta drejtpeshoni siç duhet tehun pas mprehjes. Tehu mund të testohet për drejtpeshim duke e balancuar në kaçavidë me bosht të rumbullakët. Hiqni metal nga ana e rëndë derisa të drejtpeshojë njësoj. (Fig. 26)

Përpara rimontimit të tehut dhe të grupit të tehut në pajisje, vajosni boshtin e motorit dhe sipërfaqen e brendshme të grupit të tehut me vaj të lehtë. Instaloni përshtatësin e tehut në bosht. Referojuni Fig. 26. Vendoseni tehun me numrin e detajit nga ana e kundërt e grupit. Drejtojini rondelën mbi tehe dhe futni bulonin heksagonal. Shtërngojeni bulonin heksagonal me fuqinë e listuar më poshtë.

## 11-3 FUQIA E SHTRËNGIMIT TË TEHUT

Buloni qendror duhet të shtërngohet me fuqi 35 - 45 Nm. Për të siguruar përdorim të sigurt të njësisë tuaj. TË GJITHË bulonat dhe dadot duhen kontrolluar herë pas herë për shtërngimin e duhur. Pas përdorimit të gjatë, sidomos në kushte toke me rërë, tehet do të konsumohen dhe do të humbasin disi formën fillestare. Efikasiteti i prerjes do të bjerë dhe tehu duhet ndërruar.

Ndërrojeni vetëm me tehe zëvendësimi të miratuara nga fabrika. Dëmtimi i mundshëm nga tehu i padrejtpeshuar mirë nuk është përgjegjësi e prodhuesit.

Kur ta ndërroni tehun duhet të përdorni llojin original të shënuar në tehe (MAKITA 263001433 për PLM4120N;

MAKITA 263001451 për PLM4620N) (për të porositur tehun, kontaktoni me shitësin vendor ose telefononi kompaninë tonë).



**VINI RE:** Mos e prekni tehun gjatë rrotullimit.

## 11-4 MOTORI

Referojuni manualit të posaçëm të motorit për udhëzime të mirëmbajtjes së motorit.

Mirëmbani vajin e motorit sipas udhëzimeve në manualin e posaçëm të motorit të paketuar me pajisjen. Lexoni dhe ndiqni udhëzimet me kujdes.

Në kushte normale pune mirëmbajeni pastruesin e ajrit sipas manualit të posaçëm të motorit. Pastrojeni çdo disa orë nëse punohet në kushte me shumë pluhur.

Rendimenti i rënë dhe mbytja e motorit tregojnë se duhet mirëmbajtur pastruesi i ajrit.

Për të mirëmbajtur pastruesin e ajrit, referojuni manualit të posaçëm të motorit të paketuar me pajisjen.

Kandela duhet të pastrohet dhe marzhi të rivendoset një herë për seancë. Rekomandohet ndërrimi i kandelës në fillim të çdo stine kositëje; kontrolloni manualin e motorit për llojin e duhur të kandelës dhe specifikimet e marzhit. Pastrojeni motorin rregullisht me leckë apo furçë. Mbajeni pastër sistemin e ftohjes (zonën e fryrjes me ajër) për të lejuar qarkullimin e duhur të ajrit, gjë që është themelore për rendimentin dhe jetëgjatësinë e motorit. Sigurohuni të hiqni barin, papastërititë dhe mbetjet e ndezshme nga zona e marmitës.

## 12. UDHËZIMET PËR RUAJTJEN (MBYLLJA E STINËS)

Duhen ndjekur hapat e mëposhtëm për të përgatitur kositësen e barit për ruajtje.

- Pastroni serbatorin pas kositjes së fundit të stinës.
  - Zbrazi serbatorin me pompë thithëse.



**KUJDES:** Mos e thani naftën në mjedise të mbyllura, në afërsi të zjarreve etj. Mos pini duhan! Avujt e naftës mund të shkaktojnë shpërthim apo zjarr.

- Ndizni motorin dhe lëreni të punojë derisa të ketë përdorur gjithë naftën e mbetur dhe të ngecë.
  - Hiqni kandelën. Përdorni një enë vaji për të mbushur rreth 20 ml vaj në dhomëzën e djegies. Përdorni ndezësin për të shpërndarë vajin njëtrajtësisht në dhomëzën e djegies. Zëvendësoni kandelën.
- Pastroni dhe grasatoni me kujdes kositësen e barit sipas përkrahjeve nën "UDHËZIMET PËR VAJOSJEN".
  - Grasatoni lehtë prerësin për të parandaluar gërryerjen.
  - Ruajeni kositësen e barit në vend të thatë, të pastër dhe të mbrojtur nga ngrica, larg personave të paautorizuar.



**KUJDES:** Motori duhet të jetë ftohur plotësisht përpara se ta çoni kositësen në vendin e ruajtjes.



**SHËNIM:**

Kur ruani çfarëdo lloj pajisjeje me korrent në kthina të paajrosura apo për ruajtjen e materialeve;

- Duhet të bëni kujdes të mbroni pajisjet nga ndryshku.
- Të përdorni vaj të lehtë apo silikon, ta mbuloni pajisjen, sidomos kabllo të pjesët lëvizëse.
- Bëni kujdes të mos i përthyeri apo përdridhni kabllo.
- Nëse litari ndezës shkëputet nga udhëzuesi i litarit te doreza, shkëputeni dhe tokëzoheni telin e kandelës, lironi dorezën e kontrollit të tehut dhe tërhiqni litarin ndezës me ngadalë nga motori. Kalojeni litarin ndezës në bulonin e udhëzuesit të litarit te doreza.

**Transporti**

Fikni motorin dhe jepini kohë motorit që të ftohet. Më pas stakoni lidhjen e kandelës dhe boshatisni serbatorin e karburantit sipas udhëzimeve në manualin e motorit. Sigurohuni që të mos përkulni ose dëmtoni prerësin kur shtyni pengesat para kositesit të barit.

**13. NDREQJA E DEFEKTEVE**

PROBLEMI	SHKAKU I MUNDSHËM	VEPRIMI NDREQËS
Nuk ndizet motori.	Valvula e shpejtësisë nuk është në pozicionin e duhur për kushtet e punës.	Lëvizeni valvulën e shpejtësisë në pozicionin e saktë.
	Serbatori është bosh.	Mbusheni serbatorin me karburant: referojuni MANUALIT TË PËRDORIMIT TË MOTORIT.
	Elementi i pastrimit të ajrit është ndotur.	Pastroni elementin e pastrimit të ajrit: referojuni MANUALIT TË PËRDORIMIT TË MOTORIT.
	Është liruuar kandela.	Shtrengojeni kandelën me 25 - 30 Nm.
	Është liruuar apo shkëputur teli i kandelës nga kandela.	Montoni telin e kandelës në kandelë.
	Marzhi i kandelës është i gabuar.	Caktoni marzhin midis elektrodave midis 0,7 dhe 0,8 mm.
	Kandela është me defekt.	Instaloni kandelë të re me marzh të saktë: referojuni MANUALIT TË PËRDORIMIT TË MOTORIT.
	Karburatori është vërshuar me karburant.	Hiqni elementin e pastrimit të ajrit dhe tërhiqeni vazhdimisht litarin ndezës derisa karburatori të pastrohet dhe rivendoseni elementin e pastrimit të ajrit.
Modul problematik i ndezjes.	Kontakti qendrën e autorizuar të shërbimit të Makita-s.	
Motori ndizet me vështirësi ose humbet fuqi.	Papastërti, ujë ose serbator me karburant të mbetur.	Hiqni karburanti dhe pastroni serbatorin. Mbusheni serbatorin me karburant të ri, të pastër.
	Është bllokuar vrima e ajrit në tapën e serbatorit.	Pastroni ose ndërroni tapën e serbatorit.
	Elementi i pastrimit të ajrit është i ndotur.	Pastroni elementin e pastrimit të ajrit.
Motori punon me luhajtje.	Kandela është me defekt.	Instaloni kandelë të re me marzh të saktë: referojuni MANUALIT TË PËRDORIMIT TË MOTORIT.
	Marzhi i kandelës është i gabuar.	Caktoni marzhin midis elektrodave midis 0,7 dhe 0,8 mm.
	Elementi i pastrimit të ajrit është ndotur.	Pastroni elementin e pastrimit të ajrit: referojuni MANUALIT TË PËRDORIMIT TË MOTORIT.
Motori nuk pushon siç duhet.	Elementi i pastrimit të ajrit është ndotur.	Pastroni elementin e pastrimit të ajrit: referojuni MANUALIT TË PËRDORIMIT TË MOTORIT.
	Janë bllokuar foletë e ajrit në veshjen e motorit.	Hiqni copërat nga të çarët.
	Janë bllokuar fletët ftohëse dhe rrugët e ajrit nën ndarjen e ventilatorit të motorit.	Hiqni papastërtitë nga fletët ftohëse dhe rrugët e ajrit.
Motori kërcen në shpejtësi të larta.	Marzhi midis elektrodave të kandelës është shumë i ngushtë.	Caktoni marzhin midis elektrodave midis 0,7 dhe 0,8 mm.



Motori mbinxehet.	Qarkullimi i ajrit ftohës është i kufizuar.	Hiqni mbetjet e mundshme nga foletë në veshje, strukturën e ventilatorit dhe në rrugët e ajrit.
	Kandelë e gabuar.	Për PLM4120N, instaloni kandelën RC12YC ose QC12YC dhe fletët e radiatorit në motor. Për PLM4620N, instaloni kandelën RJ19LMC dhe fletët ftohëse në motor.
Kositësja dridhet në mënyrë jonormale.	Është liruuar grupi i prerjes.	Shtrengoni tehun.
	Ka lëvizur nga drejtpeshimi grupi i prerjes.	Drejtpeshoni tehun.

## 14. MJEDISI

Nëse mjeti juaj ka nevojë për ndërrim pas një përdorimi të gjatë, mos e hidhni në mbeturinat shtëpiake, por bëjeni duke respektuar mjedisin.

### Vetëm për shtetet evropiane

#### Deklarata e konformitetit me KE-në

#### Makita deklaron se makineria(të) e mëposhtme:

Emërtimi i makinerisë:

Kositëse bari me naftë

Nr. i modelit/ Lloji: PLM4120N, PLM4620N

Specifikimet: Shikoni "4. TË DHËNA TEKNIKE"

#### Pajtohet me direktivat e mëposhtme evropiane:

2004/108/KE, 2006/42/KE, 2000/14/KE dhe 2005/88/KE

Dhe janë prodhuar në përputhje me standardet ose dokumentet e standardizuara si vijon:

EN ISO 5395-1, EN ISO 5395-2, EN ISO 14982

Skedari teknik në pajtim me direktivën 2006/42/KE disponohet nga:

Makita, Jan-Baptist Vinkstraat 2, 3070, Belgjikë

Procedura e vlerësimit të pajtueshmërisë e kërkuar nga Direktiva 2000/14/KE ishte në përputhje me shtojcën VI.

Autoriteti i njoftuar:

TÜV SÜD Industrie Service GmbH

Westendstraße 199, D-80686 München, Gjermani

Numri i identifikimit: 0036

PLM4120N

Niveli i matur i fuqisë së zërit: 93,4 dB

Niveli i garantuar i fuqisë së zërit: 96 dB

PLM4620N

Niveli i matur i fuqisë së zërit: 93,6 dB

Niveli i garantuar i fuqisë së zërit: 96 dB

22.8.2014



Yasushi Fukaya

Drejtor

Makita, Jan-Baptist Vinkstraat 2, 3070, Belgjikë

## Обяснение на общия вид

- |  |                                     |                                    |
|--|-------------------------------------|------------------------------------|
| 1. Горна ръкохватка                      | 7. Лост за регулиране на височината | 11. Капачка на резервоара за масло |
| 2. Ръкохватка за управление на спирането | 8. Основа                           | 12. Скоба за кабела                |
| 3. Лост за дроселовата клапа (газ)       | 9. Запалителна свещ                 | 13. Ръкохватка с фиксатор          |
| 4. Ръкохватка на стартера                | 10. Капачка на резервоара за гориво | 14. Висока скорост                 |
| 5. Водач за въжето                       |                                     | 15. Ниска скорост                  |
| 6. Уловител за трева                     |                                     |                                    |



### ПРЕДУПРЕЖДЕНИЕ

За Вашата собствена безопасност, моля, прочетете настоящото ръководство преди да използвате своята нова машина. Неследване на инструкциите може да доведе до сериозно нараняване. Отделяйте по няколко минути преди всяко ползване, за да се запознаете с косачката. Пазете това ръководство на безопасно място, така че информацията винаги да е на разположение. Ако дадете машината на друго лице, предайте с нея и това ръководство и инструкции за безопасност.

### Предназначение

Тази машина трябва да се използва само за целите, за които е предназначена. Всяка друга употреба ще се счита за използване не по предназначение.

Потребителят/операторът, а не производителят, ще носи отговорност за всички щети и наранявания в резултат на това.

Тази бензинова косачка за трева е предназначена за лична употреба, т.е. за използване в дворове и градини.

Лична употреба на косачката означава използване не повече от 50 часа годишно, през което време машината трябва да се използва предимно за поддръжка на малки ливади в жилищни площи или домашни градини. Това изключва използване за обществени съоръжения, спортни зали, селскостопански или горскостопански цели.

Моля, имайте предвид, че тази машина не е проектирана за индустриална или търговска употреба. Гаранцията се анулира, ако машината се използва за търговска или индустриална дейност, или за други подобни цели.

Ръководството за работа, предоставено от производителя, трябва да се пази и да се използва за справка, за да се осигури правилно използване и поддръжка на косачката. Ръководството за работа съдържа важна информация относно работата, поддръжката и обслужването на машината.

Важно! Поради големия риск от нараняване на потребителя косачката не трябва да се използва за подрязване на храсти, плетове или клонки, или за подкастране на висящи растения, градини на покриви и трева, която расте на балкони, както и за почистване (всмукване) на прах, отломки и камъчета от алеи, както и за дробене на отрязани клони от дървета и плетове. Освен това косачката не трябва да се използва като мотокултиватор или за заравняване на неравности, например къртичини.

Поради съображения за безопасност косачката не трябва да се използва за придвижване на други инструменти или уреди.

## 1. СИМВОЛИ, ПОСТАВЕНИ ВЪРХУ ПРОДУКТА (на задния капак)



Прочетете инструкцията за работа



Не допускайте странични хора в работния участък.



За избягване на травми, операторът трябва да внимава за положението на ръцете и краката си.



Отровни димни газове; не работете на закрито.



Горивото е лесно възпламенимо, да се държи далеч от огън. Да не се долива гориво в работеща машина.



За защита на оператора по време на косене използвайте защитни очила и предпазни наушници.



По време на ремонт, извадете запалителната свещ, след което извършете ремонта в съответствие с инструкцията за работа.



Внимание: Двигателят е горещ.



За спиране на мотора отпуснете пусковата ръкохватка.

## 2. ОБЩИ ПРАВИЛА ЗА БЕЗОПАСНОСТ



**ПРЕДУПРЕЖДЕНИЕ:** При използване на бензинови инструменти, за намаляване на риска от сериозни травми и/или повреждане на устройството, трябва да се спазват общи правила за безопасност, включително посочените по-долу.

Преди работа с инструмента прочетете всички инструкции и ги запазете за бъдещи справки.



**ПРЕДУПРЕЖДЕНИЕ:** По време на работа машината създава електромагнитно поле. В някои случаи това поле може да предизвика смущения в активни или пасивни медицински имплантати. За намаляване на риска от сериозни или смъртоносни травми, преди пристъпване към работа с машината, се препоръчва лицата с медицински имплантати да се консултират с лекар и с производителя на имплантата.

### Обучение

- Прочетете инструкциите внимателно. Запознайте се с органите за управление и правилата за правилна експлоатация на оборудването. Научете се как да спирате машината бързо.
- Използвайте косачката за трева само по предназначение, т.е. за косене и събиране на трева. Всякаква друга употреба може да бъде опасна и да предизвика повреждане на машината. Примерите за неправилна употреба могат да включват (но без да се ограничават само до следното):
  - транспортиране на хора, деца или животни върху машината;
  - превозване с машината;
  - използване на машината за теглене или бутане на товари;
  - използване на машината за събиране на листа или боклуци;
  - използване на машината за кастрене на огради или рязане на други растения освен трева;
  - употреба на машината от повече от един човек;
  - използване на ножа върху други повърхности освен трева.
- Никога не допускайте деца или лица, непознати с инструкциите, да използват косачката за трева. Местните закони могат да предвиждат ограничения за възрастта на оператора.
- Не използвайте косачката за трева:
  - в близост до хора (особено деца) или домашни любимци;
  - ако работещият с машината е взел лекарства или вещества, които могат да повлияят на способността му да реагира и да се концентрира.

- Не забравяйте, че операторът/потребителят носи отговорност за инциденти или опасни ситуации с други лица или тяхната собственост.
- Операторите трябва да преминават надлежно обучение относно използването, настройката и работата на машината, включително и относно забранените действия с нея.

### Подготовка

- По време на косене винаги носете здрави обувки и дълги панталони. Не работете с оборудването боси или обути с открити сандали.
- Внимателно инспектирайте зоната, където ще се използва машината и махнете всички предмети, например камъни, играчки, пръчки и кабели, които могат да бъдат изхвърлени от машината.
- **ПРЕДУПРЕЖДЕНИЕ** - Бензинът е лесно възпламеним.
  - съхранявайте горивото в контейнери, специално предназначени за тази цел;
  - зареждайте с гориво само на открито и не пушете по време на зареждане;
  - доливайте гориво преди да пуснете двигателя в ход. Никога не сваляйте капачката на резервоара за гориво и не доливайте гориво при работещ или горещ двигател;
  - при разливане на бензин, не предприемайте опити за пускане на двигателя в ход, а изведете машината от участъка на разлива и не допускайте възникване на запалителни източници, докато бензиновите пари не се разсеят;
  - закрепете сигурно капачките на резервоара и контейнера за гориво.
- Заменете неизправните шумозаглушители.
- Преди използване, винаги извършвайте визуална проверка за следи от износване или повреда на ножовете и болтовете на режещия възел. За да не допуснете нарушаване на баланса, заменяйте износените или повредени ножове и болтове.
- Проверявайте редовно дали функционират правилно всички блокировки за стартиране и механизми за недопускане на работа без присъствие на оператор.

### Експлоатация

- Не включвайте двигателя в затворени пространства, където е възможно натрупване на опасни димни газове, съдържащи въглероден оксид.
- Не използвайте машината, ако сте уморени, болни или под въздействието на алкохол или други упойващи вещества.
- Предупреждение! Не използвайте косачката, когато има опасност от мъгливи.
- Препоръчително е да се сведе до минимум времето на работа на косачката, за да се сведат до минимум шумът и вибрациите.
- Бъдете внимателни, когато използвате косачката по наклонени повърхности, близо до стръмни места, канавки или насапи.
- Косете само на дневно или добро изкуствено осветление.

- По възможност избягвайте използване на оборудването в мокра трева.
- Винаги внимавайте да сте стъпили здраво, когато сте върху наклон.
- Придвижвайте се ходом, никога не тичайте.
- За колесни ротационни машини, косенето на наклонени терени се извършва винаги напречно, никога по посока нагоре-надолу по склона.
- Бъдете изключително внимателни, когато сменяте посоката при работа върху наклон.
- Не косете прекомерно стръмни склонове.
- Бъдете изключително внимателни, когато се движите назад или телгите косачката за трева към себе си.
- Спрете ножа/ножовете, ако се налага косачката да бъде наклонена за транспорт, при прекосяване на повърхности, различни от трева, и когато пренасят косачката за трева към и от участъка за косене.
- Никога не работете с косачка за трева с повредени предпазители или без обезопасяващи устройства, например дефлектори и/или уловител за трева.
- Внимание: Косачката не трябва да се използва без колектор за трева и без самозатварящ се предпазител на изпускателния отвор.
- Не променяйте настройките на регулатора за оборотите и не работете с двигателя прекалено дълго.
- Не променяйте и не регулирайте запечатаните средства за управление на скоростта на двигателя.
- Обезопасителната система и функциите на косачката не трябва да се модифицират или изключват.
- Преди пускане на двигателя в ход изключете съединителите на ножовете и задвижването.
- Внимателно пуснете двигателя в ход, съгласно инструкциите, като държите краката си достатъчно далеч от ножа/ножовете.
- Не наклоняйте косачката за трева при пускане на двигателя в ход.
- Не пускайте двигателя в ход, докато стоите пред изходния ръкав.
- Не поставяйте ръце или крака в близост до или под въртящи се части. В нито един момент не заставайте пред изходния ръкав.
- Никога не повдигайте или носете косачка за трева с работещ двигател.
- Спрете двигателя и прекъснете проводника на запалителната свещ, уверете се, че движещите се части са в пълен покой, а ако е поставен ключ - извадете го:
  - преди почистване на блокиране или задръствания в изходния ръкав;
  - преди проверка, почистване или работа по косачката за трева;
  - след удар върху външен обект. Преди повторно пускане в ход и експлоатация, проверете косачката за трева за повреди и извършете необходимия ремонт;
  - ако косачката за трева започне да вибрира ненормално (проверете незабавно).
- Спрете двигателя и прекъснете проводника на запалителната свещ, уверете се, че движещите се части са в пълен покой, а ако е поставен ключ - извадете го:

- когато оставяте косачката за трева без наблюдение;

- преди зареждане с гориво.

- Намалете оборотите при изключване на двигателя; ако двигателят е оборудван с отсекателен клапан, след края на косенето прекъснете захранването с гориво.
- Използвайте косачката за трева само по предназначение, за косене и събиране на трева. Всякаква друга употреба може да бъде опасна и да предизвика повреждане на машината.

## Поддръжка и съхранение

- За да сте сигурни, че оборудването е в добро работно състояние, поддържайте всички гайки, болтове и винтове здраво затегнати.
- Никога не съхранявайте оборудване с бензин в резервоара в затворено помещение, до което може да достигне открит пламък или искри.
- Оставете двигателя да изстине, преди да прибирате машината в затворено помещение. Извършвайте поддръжка и почистване на косачката преди прибиране за съхранение.
- За намаляване на опасността от пожар, поддържайте двигателя, шумозаглушителя, отделението за акумулатора и участъка за съхранение на гориво чисти от трева, листа или прекомерно натрупване на смазка.
- Често проверявайте уловителя за трева за износване или влошено състояние.
- За осигуряване на безопасност заменяйте износените или повредени части.
- При необходимост от източване на резервоара за гориво, това трябва да се извършва на открито.
- Неправилната поддръжка, използването на неподходящи резервни части, свалянето и модифицирането на обезопасителните компоненти може да повредят косачката или да доведат до сериозни наранявания на оператора.
- Използвайте само препоръчаните от производителя изходни и резервни части. Използване на неоригинални части може да повреди машината и да нарани оператора. Поддържайте косачката в изправно състояние.
- Ако устройството за спиране на ножа не работи, моля, обърнете се за помощ към оторизиран сервиз.

## Транспортиране и манипулиране

- Винаги когато се налага работа по машината, вдигане, транспортиране или наклоняване, вие трябва:
  - да носите здрави работни ръкавици;
  - да хващате машината за места, в които тя може да бъде държана безопасно, вземайки предвид теглото ѝ и разпределението му;
  - да използвате нужния брой хора в съответствие с теглото на машината, характеристиките на превозното средство и мястото, в което тя трябва да бъде поставена или откъдето трябва да бъде взета.
- По време на транспортиране закрепвайте машината здраво с въжета или вериги.

## 3. ОПИСАНИЕ НА ЧАСТИТЕ (Фиг. 1 и 2)

### Включват

А: Ключ за запалителната свещ

В: Клин за мулчиране



**ПРЕДУПРЕЖДЕНИЕ:** Не докосвайте въртящия се нож.



**ПРЕДУПРЕЖДЕНИЕ:** Зареждането с гориво се извършва в добре проветрено помещение при спрян двигател.

## 4. ТЕХНИЧЕСКИ ДАННИ

Модел	PLM4120N	PLM4620N
Тип двигател	Серия B&S 500E	Серия B&S 625E
Самоходен	Не	Не
Работен обем на двигателя	140 куб. см	190 куб. см
Номинална мощност	1,9 kW	2,4 kW
Ширина на ножа	410 мм	460 мм
Обороти на празен ход	2 800/мин	2 800/мин
Вместимост на резервоара за гориво	0,8л	1,0л
Вместимост на резервоара за масло	0,47л	0,6л
Вместимост на чувала за улавяне на трева	50л	60л
Нето тегло	26,0 кг	31,1 кг
Регулировка на височина	25-70 мм, 5 степени	25-70 мм, 5 степени
Гарантирано ниво на акустична мощност в позицията на оператора (В съответствие с EN ISO 5395-1 Анекс F, EN ISO 5395-2 и EN ISO 4871)	84,6dB(A) (K=3dB(A))	83,5dB(A) (K = 3dB(A))
Измерено ниво на акустична мощност	93,4dB(A) K=1,93dB(A)	93,6dB(A) K=2,47dB(A)
Гарантирано ниво на акустична мощност (В съответствие с 2000/14/ЕО)	96dB(A)	96dB(A)
Вибрации (В съответствие с EN ISO 5395-1 Анекс G и EN ISO 5395-2)	5,27 m/s <sup>2</sup> K=1,5 m/s <sup>2</sup>	5,738 m/s <sup>2</sup> K=1,5 m/s <sup>2</sup>

## 5. СГЛОБЯВАНЕ

### 5-1 СГЛОБЯВАНЕ НА СГЪВАЕМАТА РЪКОХВАТКА

- А) Прикрепете долните ръкохватки към корпуса на косачката с двата комплекта болтове, шайби и ръкохватка с фиксатор, както е показано. (Фиг. 3, Фиг. 4, Фиг. 5, Фиг. 6)
- В) За съгване освободете горните ръкохватки. Свържете горната и долната ръкохватки с двата комплекта болтове, шайби и ръкохватка с фиксатор. (Фиг. 7, Фиг. 8, Фиг. 9)
- С) Прекарайте всички кабели над ръкохватките. Захванете ги с кабелни скоби около средата на долните ръкохватки, така че кабелите да са прикрепени от външната страна на машината. В противен случай кабелите могат да бъдат прещипани при отваряне/затваряне на задния капак или да се опъват при съгване на горната ръкохватка. (Фиг. 10)

### 5-2 СГЛОБЯВАНЕ НА УЛОВИТЕЛЯ ЗА ТРЕВА

1. Монтаж: Повдигнете задния капак и закачете уловителя за трева към оста в задната част на косачката. (Фиг. 11, Фиг. 12)
2. За демонтиране: Хванете и повдигнете задния капак, извадете уловителя за трева.

### 5-3 РЪКОХВАТКА НА СТАРТЕРА

Придвижете ръкохватката на стартера от двигателя към водача за въжето. (Фиг. 13, Фиг. 14)

### 5-4 ВИСОЧИНА НА ОТКОСА

Приложете налягане навън, за да освободите лоста от рейката. Придвижете лоста напред или назад, за да регулирате височината. (Фиг. 15 и виж също т. 8-8)

## 6. РЕГУЛИРАНЕ НА ПОДХОДЯЩА ВИСОЧИНА

- 1) Издърпайте ръкохватката с фиксатор, която блокира долната дръжка. (Фиг. 16)

- 2) Виж **Фиг. 17**, придвижете долната ръкохватка нагоре и надолу и я регулирайте до необходимата височина.  
Този тип косачка за трева позволява регулиране на височината на 3 степени; в положение 1 - максимална височина на долната ръкохватка, в положение 3 - височината е най-малка.
- 3) Регулирайте на подходящата височина, след което фиксирайте долната ръкохватка с блокиращата дръжка.



**ПРЕДУПРЕЖДЕНИЕ:** Лявата и дясната страни на долната ръкохватка трябва да бъдат регулирани на една и съща височина.

## 7. 2 В 1

В зависимост от предназначението, тези косачки за трева могат да бъдат преоборудвани от обичайната си функция

От косачка за трева със задно разположен изходен люк, в косачка за мулчиране.

Какво представлява мулчирането?

При мулчиране тревата се отрязва при един работен ход, след което фино се надробява и връща обратно върху тревната площ под формата на естествен тор. Съвети за косене с мулчиране:

- Обикновено косене с макс. 2 см от 6 см до 4 см височина на тревата.
- Да се използва остър режещ нож.
- Да не се коси мокра трева.
- Да се зададат максимални обороти на двигателя.
- Движението да се осъществява само с работен темп.
- Редовно да се почиства клинът за мулчиране, вътрешната страна на корпуса и ножът за косене.

### ЕДНО: Преоборудване в косачка с мулчиране:



**ПРЕДУПРЕЖДЕНИЕ:** Само при спрян двигател и режещ нож в покой.

1. Повдигнете задния капак и свалете уловителя за трева.
2. Придвижете с натиск клина за мулчиране към основата. Фиксирайте клина за мулчиране с бутона в отвора на основата. (**Фиг. 18, Фиг. 19**)
3. Спуснете отново задния капак.

### ДВЕ: Косене с уловител за трева

1. За косене с уловител за трева, свалете клина за мулчиране и монтирайте обратно уловителя за трева.
2. Сваляне на клина за мулчиране.
- Повдигнете задния капак и свалете клина за мулчиране.



**ПРЕДУПРЕЖДЕНИЕ:** Само при спрян двигател и режещ нож в покой.

## 8. ИНСТРУКЦИИ ЗА РАБОТА

### 8-1 ПРЕДИ ДА ЗАПОЧНЕТЕ

Заредете двигателя с бензин и масло в съответствие с инструкциите, посочени в отделното ръководство за двигателя, опаковано с косачката. Прочетете инструкциите внимателно.



**ПРЕДУПРЕЖДЕНИЕ:** Бензинът е лесно възпламеним.

Съхранявайте горивото в контейнери, специално предназначени за тази цел.

Зареждайте с гориво само на открито, преди да пуснете двигателя в ход и не пушете по време на зареждане или работа с гориво.

Никога не сваляйте капачката на резервоара за гориво и не доливайте гориво при работещ или горещ двигател.

При разливане на бензин, не предприемайте опити за пускане на двигателя в ход, а изведете машината от участъка на разлива и не допускате възникване на запалителни източници, докато бензиновите пари не се разсеят.

Закрепете сигурно капачките на резервоара и контейнера за гориво.

Преди накланяне на косачката за трева за обслужване на ножа или източване на маслото, източете горивото от резервоара.



**ПРЕДУПРЕЖДЕНИЕ:** Никога не зареждайте резервоара за гориво в затворено помещение, при работещ двигател, или ако двигателят не е оставен да изстине за поне 15 минути след работа.

### 8-2 ПУСКАНЕ НА ДВИГАТЕЛЯ В ХОД И ВКЛЮЧВАНЕ НА НОЖА

1. Запалителната свещ е снабдена с гумена защитна капачка; уверете се, че металната примка в края на проводника на запалителната свещ (под гумената капачка) е надеждно прикрепена към металния край на свещта.
2. Преди да пуснете двигателя в ход, натиснете 3-5 пъти гуменото мехурче за начално подаване на гориво. (**Фиг. 20**)
3. При пускане в ход на студен двигател, преместете лоста за дроселовата клапа (газта) в положение "Q". При пускане в ход на топъл двигател и по време на работа, поставете лоста за дроселовата клапа (газта) в положение "Q". (**Фиг. 21**)
4. След като застанете зад машината, хванете ръкохватката за спиране и я задръжте към горната ръкохватка, както е показано на **Фиг. 22**.
5. Хванете ръкохватката на стартера, както е показано на **Фиг. 22**, и рязко я изтеглете нагоре. След като двигателя запали спуснете бавно ръкохватката до водача на въжето. За да спрете двигателя и ножа, отпуснете ръкохватката за управление на спирането.



Внимателно пуснете двигателя в ход, съгласно инструкциите, като държите краката си достатъчно далеч от ножа.



Не наклоняйте косачката за трева при пускане на двигателя в ход. Стартирайте косачката за трева върху хоризонтална повърхност, без висока трева или препятствия.



Дръжте ръцете и краката си далеч от въртящите се части. Не пускайте двигателя в ход, докато стоите пред изходния отвор.

### 8-3 РАБОТНИ ПРОЦЕДУРИ

По време на работа дръжте здраво ръкохватката за управление на спирането с двете си ръце.



**Забележка:** Ако по време на работа ръкохватката за управление на спирането бъде отпусната, двигателят ще спре и ще прекрати работата на косачката за трева.



**ПРЕДУПРЕЖДЕНИЕ!** За да се предотврати неволното стартиране на косачката, тя е оборудвана със спирачка на двигателя, която трябва да се освободи, като се издърпа назад, за да може двигателят да стартира. Когато лостът за управление на двигателя бъде освободен, той трябва да се върне в първоначално положение, като в този момент двигателят се изключва автоматично.



**Забележка:** Спирачка на двигателя (ръкохватка за спиране) Използвайте лоста, за да спрете двигателя. Когато освободите лоста, двигателят и ножът спират автоматично. За да косите, задръжте лоста в положението за работа. Преди да започнете да косите, проверете няколко пъти лоста за стартиране/спиране, за да се уверите, че действа правилно. Уверете се, че жилото се движи плавно, т.е. не е закачено или прегънато някъде.

### 8-4 ЗА СПИРАНЕ НА ДВИГАТЕЛЯ



**ВНИМАНИЕ:** Ножът продължава да се върти в продължение на няколко секунди след спиране на двигателя.

1. За да спрете двигателя и ножа, отпуснете ръкохватката за управление на спирането.
2. Прекъснете и вземете проводника за запалителната свещ, съгласно инструкциите в отделното ръководство за двигателя, за да предотвратите случайно самопроизволно стартиране на оборудването.

### 8-5 ЗА ПОСТИГАНЕ НА НАЙ-ДОБРИ РЕЗУЛТАТИ ПРИ КОСЕНЕ НА ТРЕВА

Почистете тревната площ от отломки. Уверете се, че по тревната площ няма камъни, пръчки, жици или други чужди обекти, които могат инцидентно да бъдат изхвърлени от косачката в произволна посока като причинят сериозни травми на оператора и странични

лица, щети върху имущество и намиращи се наблизо обекти. Не косете мокра трева. За ефективно косене не косете мокра трева, защото тя проявява склонност да се полепва по долната част на основата, възпрепятствайки правилното отрязване на тревните стръкове. Срязвайки повече от 1/3 от височината на тревата.

Препоръчителният откос при косене е 1/3 от височината на тревата. Скоростта на придвижване трябва да се подбере така, че отрязаната трева да се разпределя равномерно върху тревата. За добре окосена площ при тежки условия в гъста трева може да е необходимо да се ползва една от най-ниските скорости на движение. При косене на висока трева, може да се наложи окосяване на два прехода, при спускане на ножа с допълнително 1/3 от височината на втория откос и евентуална промяна на посоката на косене при втория преход.

Препокриването на откосите с малко при всеки преход също спомага за чисто окосяване без останали неокосени участъци. За постигане на най-добри резултати и ефективност при косенето с косачката винаги трябва да се работи при напълно отворена дроселова клапа (пълна газ). Почиствайте долната страна на основата.

Почиствайте долната страна на основата след всяка употреба, за да предотвратите натрупването на трева, което би предотвратило правилното мулчиране.

Мулчиране на листа: Мулчирането на листа също може да бъде полезно за тревното покритие. При мулчиране на листа се уверете, че те са сухи и не са натрупани в твърде дебел слой върху тревата. Не чакайте всички листа да паднат от дърветата преди да започнете мулчиране.



**ПРЕДУПРЕЖДЕНИЕ:** Ако усетите удар с чужд обект, спрете двигателя. Прекъснете проводника към запалителната свещ, внимателно проверете косачката за евентуални повреди и ги отстранете, преди отново да я пуснете в ход и да пристъпите към работа. Прекомерната вибрация на косачката по време на работа е индикация за повреда. Инструментът трябва да бъде внимателно проверен и ремонтиран.

### 8-6 УЛОВИТЕЛ ЗА ТРЕВА

Изпразнете и почистете чувала, проверете чистотата му и го проветрете. (Фиг. 23)

### 8-7 ОСНОВА

Долната страна на основата на косачката трябва да се почиства след всяка употреба, за да се предотврати натрупване на отрязани стръччета трева, листа, замърсявания и други материали. Ако бъде допуснато натрупване на такива замърсявания, това би улеснило възникването на ръжда и корозия и може да възпрепятства правилното мулчиране. Основата може да бъде почистена с наклоняне на косачката и изстъргване с подходящ инструмент (убедете се, че запалителната свещ е изключена).

## 8-8 ИНСТРУКЦИИ ЗА РЕГУЛИРОВКА НА ВИСОЧИНАТА



**ВНИМАНИЕ:** В никакъв случай не извършвайте регулировки на косачката за трева без предварително да сте спрели двигателя и да сте прекъснали проводника към запалителната свещ.



**ВНИМАНИЕ:** Преди промяна на височината на косене, спрете косачката и прекъснете проводника на запалителната свещ. Вашата косачка е съоръжена с централен лост за регулиране на височината с 5 положения за височина.

1. Преди да промените височината на срязване спрете косачката и прекъснете проводника на запалителната свещ.
2. Централният лост за регулиране на височината предлага 5 различни положения за височина.
3. За да промените височината на срязване, натиснете лоста за регулиране към колелото, като го придвижите нагоре/надолу до желаната височина (**Фиг. 24**). Всички колела ще бъдат подравнени на една и съща височина на срязване.

## 9. ИНСТРУКЦИИ ЗА ПОДДРЪЖКА

### ЗАПАЛИТЕЛНА СВЕЩ

Използвайте само оригинални запалителни свещи. За най-добри резултати заменяйте запалителната свещ на всеки 100 часа експлоатация. (виж РЪКОВОДСТВО ЗА ЕКСПЛОАТАЦИЯ НА ДВИГАТЕЛЯ)

### НАКЛАДКИ НА СПИРАЧКАТА

Редовно проверявайте и сменяйте, ако е необходимо, накладките на спирачката на двигателя. За смяна трябва да се използват само оригинални резервни части.

## 10. ИНСТРУКЦИИ ЗА СМАЗВАНЕ



**ВНИМАНИЕ:** ПРЕДИ ОБСЛУЖВАНЕ ПРЕКЪСНЕТЕ ПРОВОДНИКА КЪМ ЗАПАЛИТЕЛНАТА СВЕЩ.

1. КОЛЕЛА - Смазвайте сачмените лагери на всяко колело с леко масло поне веднъж в сезона.
2. ДВИГАТЕЛ - Следвайте инструкциите за смазване в ръководството за двигателя.
3. УПРАВЛЕНИЕ НА СПИРАНЕТО - Смазвайте шарнирните точки на ръкохватката за управление на спирането и нейното жило с леко масло поне веднъж в сезона. Ръкохватката за управление на спирането трябва да се движи свободно и в двете посоки.

## 11. ПОЧИСТВАНЕ



**ВНИМАНИЕ:** Не мийте двигателя с маркуч. Водата може да повреди двигателя или да замърси горивната система.

1. Изтрийте основата със суха тъкан.
2. Измийте долната страна на основата с маркуч, като наклоните косачката, така че запалителната свещ да е отгоре.

### 11-1 ВЪЗДУШЕН ФИЛТЪР НА ДВИГАТЕЛЯ



**ВНИМАНИЕ:** Не допускайте задръстване с прах и замърсявания на пенестия елемент на въздушния филтър.

Елементът на въздушния филтър на двигателя трябва да се обслужва (почиства) след всеки 25 часа нормално косене. Пенестият елемент трябва да се почиства редовно, ако косачката се използва в сухи, прашни условия. (виж РЪКОВОДСТВО ЗА ЕКСПЛОАТАЦИЯ НА ДВИГАТЕЛЯ)

### За ПОЧИСТВАНЕ НА ВЪЗДУШНИЯ ФИЛТЪР

1. За PLM4120N: Повдигнете табелките върху горната страна на капака на филтъра.  
За PLM4620N: Развийте болта.
2. Свалете капака.
3. Изперете филтърния елемент в сапунена вода. **НЕ ИЗПОЛЗВАЙТЕ БЕНЗИН!**
4. Изсушете филтърния елемент на въздух.
5. Капнете няколко капки масло SAE30 върху пенестия филтър и силно го стиснете, за да отстраните излишното масло.
6. Монтирайте филтъра обратно.
7. Затворете капака на филтъра.



**ЗАБЕЛЕЖКА:** Заменете филтъра ако е износен, протрит, скъсан, повреден или е невъзможно да бъде почистен. (**Фиг. 25 за PLM4120N**)

### 11-2 РЕЖЕЩ НОЖ



**ВНИМАНИЕ:** За предотвратяване на самопроизволно стартиране на двигателя се уверете, че сте прекъснали и заземили проводника на запалителната свещ преди работа по режещия нож. При необходимост от хвачане на режещия нож, защитете ръцете си със здрави ръкавици или тъкан. Наклонете косачката, както е посочено в отделното ръководство за двигателя. Развийте шестограмния болт и шайбата, които прикрепват ножа и адаптера към колянския вал на двигателя. Свалете ножа и адаптера от колянския вал.





### **ПРЕДУПРЕЖДЕНИЕ:** Периодично

проверявайте адаптера на ножа за пукнатини, особено в случай на удар върху външен обект. При необходимост го подменете.

За постигане на най-добри резултати ножът трябва да е остър. След като бъде демонтиран ножът може да се заточва с шмиргел или пила, за да се придаде на режещото острие ъгъл на заостряне, възможно най-близък до първоначалния. За да се предотврати разбалансиране е изключително важно всеки режещ нож да бъде еднакво заточен. Неправилното балансиране на ножовете води до прекомерни вибрации и може да предизвика повреждане на двигателя и косачката. Не забравяйте внимателно да балансирате ножа след заточване. Балансът на ножа може да бъде проверен върху облия ствол на отвертка, използван като ос. Отстранете метал от петехката страна, докато балансът се изравни. (Фиг. 26) Преди обратното сглобяване на ножа и адаптера към машината, смажете колянвия вал на двигателя и вътрешната повърхност на адаптера за ножа с леко масло. Монтирайте адаптера за ножа към колянвия вал. Виж Фиг. 26. Поставете режещия нож с номера на частта, обърнат към противоположната страна на адаптера. Подравнете шайбата над ножа и вмъкнете шестограмния болт. Притегнете шестограмния болт с посочения по-долу момент на затягане.

### **11-3 МОМЕНТ НА ЗАТЯГАНЕ НА НОЖА**

Централният болт трябва да бъде затегнат с момент 35 - 45 Nm. Това ще гарантира безопасната работа на машината. Необходимо е периодично да се проверява затягането на ВСИЧКИ гайки и болтове. След продължителна употреба, особено в условия с пестъчливи почви, ножът ще се износи и ще загуби част от първоначалната си форма. Ефективността на срязване ще намалее и ножът ще трябва да бъде заменен.

За замяна използвайте единствено одобрени, фабрично произведени ножове. Производителят не носи отговорност за повреди, предизвикани от използване на ножове с неправилен баланс. При замяна на нож е необходимо да използвате оригиналния тип, маркиран върху ножа (MAKITA 263001433 за PLM4120N; MAKITA 263001451 за PLM4620N) (за други ножове се консултирайте с местния дилър или се обърнете към нашата фирма).



### **ПРЕДУПРЕЖДЕНИЕ:** Не докосвайте

въртящия се нож.

### **11-4 ДВИГАТЕЛ**

За инструкции по обслужване на двигателя виж отделното ръководство за експлоатация на двигателя. Поддържайте маслото в двигателя в съответствие с инструкциите, посочени в отделното ръководство за двигателя, опаковано с машината. Прочетете и спазвайте инструкциите внимателно. Обслужвайте въздушния филтър съгласно указанията за нормални условия, посочени в отделното ръководство за двигателя. При изключително

запрашени условия почиствайте филтъра на всеки няколко часа. Влошената работа на двигателя и “задавянето” обикновено са индикация за необходимост от почистване на въздушния филтър. За обслужване на въздушния филтър виж отделното ръководство за двигателя, опаковано с машината. Запалителната свещ трябва да се почиства и разстоянието между електродите да се регулира веднъж в сезона. Препоръчително е запалителната свещ да се заменя в началото на всеки сезон на косене; за правилния тип запалителна свещ и разстояние между електродите, проверете в ръководството за двигателя.

Редовно почиствайте двигателя с тъкан или четка. За осигуряване на циркулация на въздуха, която е от съществено значение за ефективността и експлоатационния живот на двигателя, поддържайте чиста охладителната система (участъка на корпуса на вентилатора). Не допускайте натрупване на трева, замърсявания и запалими отломки от участъка на шумозаглушителя.

## **12. ИНСТРУКЦИИ ЗА СЪХРАНЕНИЕ (ИЗВЪН СЕЗОНА)**

За подготовка на косачката за съхранение трябва да се извърши следното:

1. Изпразнете резервоара след последното косене за сезона.  
а) Изпразнете резервоара за горивото със смукателна помпа.



**ВНИМАНИЕ:** Не източвайте бензин в затворено помещение, близо до открит огън и пр. Не пушете! Бенизиновите пари могат да предизвикат експлозия или пожар.

- b) Стартирайте двигателя и го оставете да работи, докато изразходва целия оставащ бензин и спре.
- c) Извадете свещта. Използвайте масльонка, за да сложите около 20 мл масло в горивната камера. Завъртете стартера, за да разпределите равномерно маслото в горивната камера. Върнете свещта.
2. Почистете и смажете внимателно косачката, както е описано в “ИНСТРУКЦИИ ЗА СМАЗВАНЕ”.
3. Леко смажете резачката, за да се избегне корозията.
4. Съхранявайте косачката в сухо, чисто и защитено от измръзване място, без достъп на външни хора.



**ВНИМАНИЕ:** Двигателят трябва да е напълно изстинал, преди да съхраните косачката.



### **ЗАБЕЛЕЖКА:**

При съхраняване на оборудване с двигател в непроветрявано помещение или склад:  
- Необходимо е да се вземат мерки за защита на оборудването срещу ръжда. Покрийте

- оборудването и най-вече кабелите и движещите се части със слой от тънко масло или силикон.
- Внимавайте да не прегъвате или пречупвате кабелите.
  - В случай, че въжето на стартера се освободи от водача за въжето, прекъснете и заземете проводника на запалителната свещ, натиснете ръкохватката за управление на ножа и бавно изтеглете въжето на стартера от двигателя.

Прекарайте въжето на стартера в болта на водача за въжето.

### Транспортиране

Изключете двигателя и го оставете да се охлади. След това откачете кабела на запалителната свещ и изпразнете резервоара за гориво според инструкциите в ръководството за двигателя. Внимавайте да не деформирате или повредите ножа, когато бутате косачката над препятствия.

## 13. ОТСТРАНЯВАНЕ НА НЕИЗПРАВНОСТИ

ПРОБЛЕМ	ВЕРОЯТНА ПРИЧИНА	НАЧИН ЗА ОТСТРАНЯВАНЕ
Двигателят не пали.	Дроселовата клапа не е в необходимото положение за съществуващите условия.	Поставете дроселовата клапа в правилното положение.
	Резервоарът за гориво е празен.	Заредете резервоара с гориво: виж РЪКОВОДСТВО ЗА ЕКСПЛОАТАЦИЯ НА ДВИГАТЕЛЯ.
	Замърсен е елементът на въздушния филтър.	Почистете елемента на въздушния филтър: виж РЪКОВОДСТВО ЗА ЕКСПЛОАТАЦИЯ НА ДВИГАТЕЛЯ.
	Разхлабена е запалителна свещ	Затегнете запалителната свещ с момент 25 - 30 Nm.
	Разхлабен е или е прекъснат проводник на запалителната свещ.	Свържете проводника със запалителната свещ.
	Разстоянието между електродите на запалителната свещ е неправилно.	Регулирайте разстоянието между електродите на 0.7 - 0.8 мм.
	Дефектна запалителна свещ	Инсталирайте нова свещ с правилно разстояние между електродите: виж РЪКОВОДСТВО ЗА ЕКСПЛОАТАЦИЯ НА ДВИГАТЕЛЯ.
	Карбураторът е "задавен" с гориво.	Свалете въздушния филтър и постоянно дърпайте въжето на стартера, докато карбураторът се самопочисти, след което монтирайте въздушния филтър обратно.
Двигателят пали трудно или губи мощност.	Повреден запалителен модул.	Обърнете се към оторизиран сервиз на Makita.
	Замърсяване, вода или старо гориво в резервоара.	Източете горивото и почистете резервоара. Заредете резервоара с чисто, прясно гориво.
	Задръстен е вентилационния отвор в капачката на резервоара за гориво.	Почистете или заменете капачката на резервоара за гориво.
Неустойчива работа на двигателя.	Замърсен е елементът на въздушния филтър.	Почистете елемента на въздушния филтър.
	Дефектна запалителна свещ.	Инсталирайте нова свещ с правилно разстояние между електродите: виж РЪКОВОДСТВО ЗА ЕКСПЛОАТАЦИЯ НА ДВИГАТЕЛЯ.
	Разстоянието между електродите на запалителната свещ е неправилно.	Регулирайте разстоянието между електродите на 0.7 - 0.8 мм.
Неустойчив свободен ход на двигателя.	Замърсен е елементът на въздушния филтър.	Почистете елемента на въздушния филтър: виж РЪКОВОДСТВО ЗА ЕКСПЛОАТАЦИЯ НА ДВИГАТЕЛЯ.
	Замърсен е елементът на въздушния филтър.	Почистете елемента на въздушния филтър: виж РЪКОВОДСТВО ЗА ЕКСПЛОАТАЦИЯ НА ДВИГАТЕЛЯ.
	Блокирани са вентилационните отвори в кожата на двигателя.	Отстранете отломките от отворите.
	Блокирани са охлаждащите ребра и канали за въздух под корпуса на вентилатора на двигателя.	Отстранете замърсяването на охлаждащите ребра и каналите за въздух.

Двигателят прекъсва при високи обороти.	Твърде малко разстояние между електродите на запалителната свещ.	Регулирайте разстоянието между електродите на 0.7 - 0.8 мм.
Двигателят прегрява.	Недостатъчен поток на охлаждащ въздух.	Отстранете всички замърсявания от вентилационните отвори, корпуса на вентилатора и каналите за въздух.
	Неправилен тип запалителна свещ.	За PLM4120N инсталирайте запалителна свещ RC12YC или QC12YC и пластините на радиатора на двигателя. За PLM4620N, монтирайте запалителна свещ RJ19LMC и охладителни ребра на двигателя.
Ненормална вибрация на косачката.	Разхлабен режещ блок.	Затегнете режещия нож.
	Нарушен е балансът на режещия блок.	Балансирайте режещия нож.

## 14. ОКОЛНА СРЕДА

Ако след продължителна употреба експлоатационният живот на вашата машина изтече и тя трябва да бъде заменена, не я изхвърляйте в битовите отпадъци. Предайте я за обработка по безопасен за околната среда начин.

### Само за страните от ЕС.

#### ЕО Декларация за съответствие

**Makita декларира, че следните машини:**

Наименование на машината:

Бензинова косачка за трева

Модел №/Тип: PLM4120N, PLM4620N

Технически характеристики: Виж "4. ТЕХНИЧЕСКИ ДАННИ"

#### Съответстват на следните европейски директиви:

2004/108/ЕО, 2006/42/ЕО, 2000/14/ЕО и 2005/88/ЕО

И се произвеждат в съответствие със следните стандарти и нормативни документи:

EN ISO 5395-1, EN ISO 5395-2, EN ISO 14982

Файлът с техническа документация в съответствие с 2006/42/ЕО може да се вземе от:

Makita, Jan-Baptist Vinkstraat 2, 3070, Белгия

Процедурата за оценка на съответствие съгласно директива 2000/14/ЕО е извършена в съответствие с приложение VI.

Упълномощен орган:

TÜV SÜD Industrie Service GmbH

Westendstrasse 199, D-80686 München, Германия

Идентификационен номер: 0036

PLM4120N

Измерено ниво на мощност на звука: 93,4 dB

Гарантирано ниво на мощност на звука: 96 dB

PLM4620N

Измерено ниво на мощност на звука: 93,6 dB

Гарантирано ниво на мощност на звука: 96 dB

22.8.2014



Yasushi Fukaya

Директор

Makita, Jan-Baptist Vinkstraat 2, 3070, Белгия

**Objašnjenje općenitog prikaza**

- |                                  |                                    |                           |
|----------------------------------|------------------------------------|---------------------------|
| 1. Gornja ručka                  | 6. Hvatač trave                    | 11. Čep ulja              |
| 2. Ručka za zaustavljanje        | 7. Poluga za prilagođavanje visine | 12. Stezaljka kabela      |
| 3. Poluga čoka prigušnog leptira | 8. Platforma                       | 13. Gumb za zaključavanje |
| 4. Ručka pokretača               | 9. Svjećica                        | 14. Velika brzina         |
| 5. Vodilica za konopac           | 10. Čep goriva                     | 15. Mala brzina           |



**UPOZORENJE**

Zbog vlastite sigurnosti pročitajte ovaj priručnik prije nego pokušate upravljati svojom novom jedinicom.

Nepridržavanje uputa može za posljedicu imati teške ozljede. Odvojite nekoliko trenutaka i upoznajte se sa svojom kosilicom prije svake upotrebe. Ovaj priručnik čuvajte na sigurnom mjestu tako da su vam informacija iz njega uvijek dostupne. Ako opremu dajete bilo kojoj drugoj osobi, dajte joj i ove upute za rukovanje te sigurnosne propise.

**Namjena**

Oprema se može upotrebljavati samo za zadatke za koje je predviđena. Bilo koja druga upotreba smatra se slučajem pogrešne primjene. Korisnik/rukovatelj, a ne proizvođač, odgovoran je za svu štetu ili ozljede bilo koje vrste nastale zbog pogrešne primjene.

Benzinska kosilica za travu namijenjena je za privatnu upotrebu, odnosno za upotrebu kod kuće i u vrtlarstvu. Privatna upotreba kosilice za travu odnosi se na vrijeme rada koje ne prelazi 50 sati godišnje, tijekom kojeg razdoblja se stroj upotrebljava prvenstveno za održavanje malih, stambenih travnjaka i kućnih/hobi vrtova. Isključuje se primjena u javnim ustanovama, sportskim dvoranama i u poljoprivredi/šumarstvu.

Vodite računa da naša oprema nije dizajnirana za komercijalnu, trgovinsku ili industrijsku primjenu. Naše jamstvo bit će ništavno ako se stroj upotrebljava u komercijalnim, trgovinskim ili industrijskim subjektima ili na ekvivalentan način.

Upute za rukovanje koje daje proizvođač moraju se čuvati i konzultirati kako bi se osigurala pravilna upotreba i održavanje kosilice za travu. Upute sadrže vrijedne informacije o uvjetima rukovanja, održavanja i servisiranja.

Važno! Zbog velike opasnosti od tjelesne ozljede korisnika, kosilica za travu ne smije se upotrebljavati za rezanje grmlja, živica ili žbunja, za rezanje penjačica, zelenih krovova ili trave koja raste na balkonu, za čišćenje (usisavanje) prljavštine i otpadaka sa staza ili za usitnjavanje orezanog materijala sa stabala ili živica. Nadalje, kosilica za travu ne smije se koristiti kao električni kultivator za poravnavanje povišenih dijelova kao što su krtičnjaci.

Iz sigurnosnih razloga kosilica za travu ne smije se upotrebljavati kao pogonska jedinica za druge radne alate ili complete alata bilo koje vrste.

**1. SIMBOLI NA PROIZVODU (na stražnjem poklopcu)**



Pročitajte priručnik za rukovatelja.



Udaljite promatrače.



Osobito pazite na ruke i stopala rukovatelja kako biste izbjegli ozljede.



Otrovni plinovi; Ne koristite u kući.



Gorivo je zapaljivo, držite vatru podalje. Ne doljevajte gorivo dok motor radi.



Prilikom košenja, molimo koristite naočale i čepove za uši kako biste se zaštitili.



Prilikom popravaka, molimo izvadite svjeću te je popravite sukladno uputama u radnom priručniku.



Oprez: motor je vruć.



Otpustite ručicu prekidača kako biste zaustavili motor.

## 2. OPĆA SIGURNOSNA PRAVILA



**UPOZORENJE:** Da bi se umanjila opasnost od teških ozljeda i/ili oštećivanja jedinice, prilikom uporabe benzina treba se pridržavati osnovnih sigurnosnih mjera, uključujući i slijedeće.

Prije rukovanja ovim proizvodom pročitajte sve upute i zadržite ih za buduću uporabu.



**UPOZORENJE:** Ovaj stroj proizvodi elektromagnetsko polje za vrijeme rada. U nekim okolnostima ovo polje može ometati aktivne i pasivne medicinske usatke. Da biste smanjili rizik od ozbiljne i fatalne ozljede preporučamo osobama s medicinskim usadcima da se konzultiraju sa svojim liječnikom i proizvođačem medicinskog usatka prije upravljanja strojem.

### Vježba

- Pažljivo pročitajte upute. Upoznajte se s kontrolama i pravilnim korištenjem opreme. Naučite kako brzo isključiti motor.
- Koristite kosilicu za travu samo za svrhu za koju je namijenjena, tj. za rezanje i sakupljanje trave. Bilo kakva druga uporaba može biti opasna i uzrokovati oštećenje stroja. Neki, ali ne svi, od primjera nepravilne uporabe su:
  - prijevoz ljudi, djece ili životinja strojem;
  - prevoziti se strojem;
  - uporaba stroja za vuču ili guranje tereta;
  - uporaba stroja za sakupljanje lišća ili otpada;
  - uporaba stroja za podrezivanje živice ili za rezanje raslinja koje nije trava;
  - više ljudi odjednom koristi stroj;
  - uporaba stroja na površinama koje nisu travnate.
- Nikada ne dopustite djeci ili osobama koje nisu upoznate s uputama da koriste kosilicu za travu. Lokalne odredbe mogu ograničiti starosnu dob rukovatelja.
- Kosilica za travu ne smije se koristiti:
  - dok su u blizini ljudi, a naročito djeca ili kućni ljubimci;
  - ako je rukovatelj uzeo lijekove ili stvari koje mogu utjecati na njegovu sposobnost reagiranja i koncentraciju.
- Imajte na umu da je rukovatelj ili korisnik odgovoran za nesreće ili opasnosti do koje se mogu dogoditi drugim ljudima ili njihovoj imovini.
- Rukovatelji moraju proći odgovarajuću obuku za upotrebu, podešavanje i rukovanje strojem, uključujući zabranjena rukovanja.

### Priprema

- Dok kosite, uvijek nosite izdržljivu obuću i duge hlače. Ne rukujte opremom dok ste bosih nogu ili dok nosite otvorene sandale.
- Detaljno pregledajte područje na kojem će se oprema upotrebljavati i uklonite sve predmete poput stijena, igračka, štapova i kabela koje stroj može baciti.
- UPOZORENJE - benzin je jako zapaljiv.

- gorivo spremajte u spremnike namijenjene za tu svrhu;
- gorivo dolijevajte na otvorenom i ne pušite tijekom dolijevanja;
- dolijte gorivo prije pokretanja motora. Nikada ne uklanjajte čep spremnika goriva i ne dolijevajte gorivo dok motor radi ili dok je motor vruć;
- ako se benzin prolje, ne pokušavajte pokrenuti motor i odmaknite stroj s područja na kojem se gorivo prolilo te izbjegavajte korištenje bilo kakvih izvora vatre dok benzinske pare ne ispare;
- pažljivo ponovno zatvorite čepove spremnika i kante za gorivo.

- Zamijenite pokvarene ispušne lonce.
- Prije upotrebe uvijek pregledajte nisu li oštrice, vijci oštrice i sklop rezača istrošeni ili oštećeni. Zamijenite istrošene ili oštećene oštrice i vijke u kompletu s ciljem održavanja ravnoteže.
- Redovito provjeravajte kako biste osigurali da sve blokade pokretanja i kontrole prisutnosti rukovatelja rade pravilno.

### Rukovanje

- Ne pokrećte motor u zatvorenim prostorima u kojima se može nakupljati opasan ugljični monoksid.
- Ne upotrebljavajte stroj ako ste umorni, bolesni ili pod utjecajem alkohola ili drugih opijata.
- Upozorenje! Kosilicu za travu nemojte upotrebljavati kad postoji opasnost od munja.
- Preporučuje se da ograničite vrijeme rada, kako biste smanjili opasnosti od buke i vibracija.
- Budite pažljivi kad kosilicu za travu upotrebljavate na nagibima i u blizini kosina, jaraka ili nasipa.
- Kosite uvijek pri danjem svjetlu ili uz dobru umjetnu rasvjetu.
- Izbjegavajte rukovanje opremom na mokroj travi, gdje je to izvedivo.
- Uvijek budite sigurni pri hodanju po nagibima.
- Hodajte, nikada ne trčite.
- Prilikom korištenja rotirajućih strojeva s kotačima, kosite preko lica padine, nikada gore i dolje.
- Budite krajnje oprezni kod promjene smjera na padinama.
- Ne kosite na prestrmim padinama.
- Budite krajnje oprezni kod kretanja unatrag ili povlačenja kosilice za travu prema sebi.
- Zaustavite oštricu(e) ako morate nagnuti kosilicu za travu zbog prenošenja preko površine bez trave i kod transporta kosilice za travu prema i izvan površine koju ćete kositi.
- Nikada ne rukujte kosilicom za travu s postavljenom neispravnom zaštitom ili bez sigurnosnih uređaja, kao što su uređaji za otklanjanje i/ili hvatači trave.
- Oprez: Kosilicom za travu ne smije se rukovati ako cijeli hvatač trave ili samozatvarajući otvor za pražnjenje nisu na mjestu.
- Ne mijenjajte postavke regulatora motora i izbjegavajte prekomjernu brzinu motora.
- Nemojte nositi preinake ili neovlašteno mijenjati bilo koje zabrtvljeno podešavanje za upravljanje brzinom motora.
- Zabranjeno je neovlašteno mijenjati sigurnosne sustave ili značajke kosilice za travu ili ih onemogućiti.

- Isključite sve oštrice i pogonske spojke prije pokretanja motora.
- Pokrenite motor pažljivo u skladu s uputama te sa stopalima prilično udaljenim od oštrica.
- Ne naginjte kosilicu prilikom pokretanja motora.
- Ne pokrećite motor stojeći ispred otvora za pražnjenje.
- Ne postavljajte ruke ili stopala pokraj ili ispod rotirajućih dijelova. Uvijek budite odmaknuti od otvora za pražnjenje.
- Nikada ne podižite, niti prenosite kosilicu za vrijeme rada motora.
- Zaustavite motor i iskopčajte kabel svjeće, uvjerite se da su se svi pokretni dijelovi potpuno zaustavili i ako postoji ključ, uklonite ga:
  - prije čišćenja blokada ili odčepijavanja otvora za pražnjenje;
  - prije provjere, čišćenja ili rada s kosilicom za travu;
  - nakon udara u strano tijelo. Pregledajte kosilicu zbog oštećenja i načinite popravke prije ponovnog pokretanja i rada s kosilicom za travu;
  - Ako kosilica počne neuobičajeno vibrirati (odmah provjerite).
- Zaustavite motor i iskopčajte kabel svjeće, uvjerite se da su se svi pokretni dijelovi potpuno zaustavili i ako postoji ključ, uklonite ga:
  - ako se morate udaljiti od kosilice;
  - prije dolijevanja goriva.
- Tijekom zaustavljanja motora smanjite postavku prigušnog leptira i ako je motor opremljen zapornim ventilom, zatvorite ga nakon prestanka košnje.
- Koristite kosilicu za travu samo za svrhu za koju je namijenjena, za rezanje i sakupljanje trave. Bilo koje druga uporaba može biti opasna, uzrokujući oštećenje stroja.
- Kako biste umanjili opasnost od požara, pobrinite se da na motoru, ispušnom loncu i prostoru za držanje goriva ne bude trave, lišća ili prekomjerne količine masti.
- Redovito provjeravajte hvatač trave zbog istrošenosti ili kvara.
- Zamijenite istrošene ili oštećene dijelove zbog sigurnosti.
- Ako trebate isprazniti spremnik goriva, to morate izvršiti na otvorenom.
- Nepravilno održavanje, upotreba neodgovarajućih zamjenskih dijelova, ili skidanje ili preinaka zaštitnih dijelova može oštetiti kosilicu za travu i teško ozlijediti rukovatelje.
- Upotrebljavajte samo oštrice i zamjenske dijelove koje preporučuje proizvođač. Upotreba dijelova koji nisu originalni može oštetiti stroj i ozlijediti rukovatelje. Kosilicu za travu održavajte u dobrom radnom stanju.
- Ako uređaj za zaustavljanje oštrice ne radi, za pomoć se obratite servisnom centru.

### Prijenos i rukovanje

- Uvijek kada rukujete strojem, podižete, prenosite ili naginjete stroj, morate:
  - nositi otporne radne rukavice;
  - uhvatiti stroj za dijelove koji imaju sigurnosne drške, pazeci na težinu i raspodjelu težine;
  - paziti da broj ljudi koji pomažu prenositi stroj je odgovarajući za težinu stroja i obilježja prijevoznoga sredstva ili mjesto na koje se prenosi ili s kojeg se preuzima stroj.
- Tijekom prijenosa, snažno pričvrstite stroj uže tom ili lancima.



**UPOZORENJE:** Ne dotičite oštricu koja s okreće.



**UPOZORENJE:** Gorivo dolijevajte na dobro prozračenom području sa zaustavljenim motorom.

## 3. OPIS DIJELOVA (SI. 1 i 2)

### Uključeno

- A: Ključ za svjećicu
- B: Klin za malčiranje

## 4. TEHNIČKI PODACI

Model	PLM4120N	PLM4620N
Vrsta motora	Serija B&S 500E	Serija B&S 625E
S vlastitim pogonom	Ne	Ne
Zapremina motora	140 cm <sup>3</sup>	190 cm <sup>3</sup>
Nominalna snaga	1,9 kW	2,4 kW
Širina oštrice	410 mm	460 mm
Br. okretaja u praznom hodu	2.800/min	2.800/min
Zapremina spremnika za gorivo	0,8L	1,0L
Kapacitet spremnika ulja	0,47L	0,6L
Zapremina vreće za hvatanje trave	50L	60L
Neto težina	26,0 kg	31,1 kg

Model	PLM4120N	PLM4620N
Prilagođavanje visine	25-70 mm, 5 položaja	25-70 mm, 5 položaja
Zajamčena razina jačine zvuka na položaju rukovatelja (Prema EN ISO 5395-1 Prilog F i EN ISO 5395-2, EN ISO 4871)	84,6dB(A) (K=3dB(A))	83,5dB(A) (K = 3dB(A))
Izmjerena razina jačine zvuka	93,4dB(A) K=1,93dB(A)	93,6dB(A) K=2,47dB(A)
Zajamčena razina jačine zvuka (Prema 2000/14/EC)	96dB(A)	96dB(A)
Vibracije (Prema EN ISO 5395-1 Prilog G i EN ISO 5395-2)	5,27 m/s <sup>2</sup> K=1,5 m/s <sup>2</sup>	5,738 m/s <sup>2</sup> K=1,5 m/s <sup>2</sup>

## 5. MONTAŽA

### 5-1 SKLAPANJE PREKLOPNE RUČKE

- Pričvrstite gornje upravljače u tijelu jedinice pomoću dvaju kompleta vijaka, podloški i gumba za zaključavanje kao što je prikazano. (SI. 3, SI. 4, SI. 5, SI. 6)
- Otpustite gornje upravljače kako biste ih preklopili. Povežite gornju i donju ručicu pomoću dvaju kompleta vijaka, podloški i gumba za zaključavanje. (SI. 7, SI. 8, SI. 9)
- Sve kabele postavite preko osovine ručice. Učvrstite ih stezaljkom oko sredine donjih ručica pomoću kablskih stezaljki tako da kabeli budu pričvršćeni na vanjskom dijelu stroja. U suprotnom se kabel može uklještititi tijekom otvaranja/zatvaranja stražnjeg pokrova ili se može nategnuti uslijed preklapanja gornjeg dijela ručice. (SI. 10)

### 5-2 SKLAPANJE HVATAČA TRAVE

- Sklopanje: Podignite stražnji pokrov i objesite hvatač trave na osovinu na stražnjem dijelu kosilice. (SI. 11, SI. 12)
- Uklanjanje: Primite i podignite stražnji pokrov, uklonite hvatač trave.

### 5-3 RUČKA POKRETAČA

Pomaknite ručku pokretača od motora prema vodilici za konopac. (SI. 13, SI. 14)

### 5-4 VISINA REZANJA

Primijenite vanjski pritisak kako biste oslobodili polugu iz okvira. Pomaknite polugu naprijed kako biste prilagodili visinu. (SI. 15 i pogledajte paragraf 8-8)

## 6. PODEŠAVANJE ODGOVARAJUĆE VISINE

- Pomaknite unazad gumb za zaključavanje koji je pričvršćivao donju ručku. (SI. 16)
- Pogledajte SI. 17, pomaknite donju ručku gore i dolje, podesite odgovarajuću visinu. Kod ovog tipa kosilice možete birati između triju visina za podešavanje; visina 1 je najviša, (donja ručka pri tlu), a visina 3 najniža.
- Podesite na željenu visinu, a potom učvrstite donju ručku pomoću gumba za zaključavanje.



**UPOZORENJE:** Lijeva i desna strana kosilice trebaju se podesiti na istu visinu.

## 7. 2 U 1

Kod ovih se kosilica za travu može premodelirati njihova uobičajena funkcija, ovisno o svrsi primjene:

Iz kosilice za travu sa stražnjim pražnjenjem i kosilice za malčiranje.

Što je malčiranje?

Prilikom malčiranja trava se kosi u jednom radnom koraku, a zatim se usitnjava i vraća na travnjak kao prirodno gnojivo.

Savjeti za košnju s malčiranjem:

- Uobičajeno povratno rezanje za maks. 2 cm trave s visine od 6 cm na 4 cm.
- Koristite oštar nož za rezanje.
- Ne kosite mokru travu.
- Podesite najveću brzinu motora.
- Pomičite se samo radnom brzinom.
- Redovito čistite klin za malčiranje, unutarnju stranu kućišta i oštricu za košenje.

### JEDNO: Premodeliranje u stroj za malčiranje



**UPOZORENJE:** Isključivo dok je motor zaustavljen i rezač miruje.

- Podignite stražnji pokrov i uklonite hvatač trave.
- Pritisnite klin za malčiranje u platformu. Blokirate klin za malčiranje uz pomoć gumba u otvoru na platformi. (SI. 18, SI. 19)
- Ponovno spustite stražnji pokrov.

### DVA: Košnja hvatačem trave

- Ako želite kositi hvatačem trave, uklonite klin za malčiranje i montirajte hvatač trave.
- Uklanjanje klina za malčiranje.
  - Podignite stražnji pokrov i uklonite klin za malčiranje.



**UPOZORENJE:** Isključivo dok je motor zaustavljen i rezač miruje.

## 8. UPUTE ZA RUKOVANJE

### 8-1 PRIJE POČETKA

Opskrbite motor benzinom i uljem, kao što je opisano u zasebnom priručniku motora isporučenim s vašom kosilicom. Pažljivo pročitajte upute.



**UPOZORENJE:** Benzin je jako zapaljiv.

Gorivo spremajte u spremnike namijenjene za tu svrhu. Gorivo dolijevajte na otvorenom prije pokretanja motora i ne pušite tijekom dolijevanja ili rukovanja gorivom.

Nikada ne uklanjajte čep spremnika goriva i ne dolijevajte gorivo dok motor radi ili dok je motor vruć.

Ako se benzin prolje, ne pokušavajte pokrenuti motor i odmaknite stroj s područja na kojem se gorivo prolije te izbjegavajte korištenje bilo kakvih izvora vatre dok benzinske pare ne ispare.

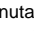
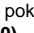
Pažljivo ponovno zatvorite čepove spremnika i kante za gorivo.

Prije okretanja kosilice radi održavanja oštrice ili ispuštanja ulja uklonite gorivo iz spremnika.



**UPOZORENJE:** Nikada ne dolijevajte gorivo u zatvorenim prostorima, s uključenim motorom ili dok se motor nije hladio barem 15 minuta nakon zaustavljanja.

### 8-2 POKRETANJE MOTORA I UKLJUČIVANJE OŠTRICE

1. Jedinica je opremljena gumenom manšetom koja prekriva kraj svjeće. Pobrinite se da metalna omča na kraju kabela za svjećicu (unutar gumene manšete) bude čvrsto pričvršćena preko metalnog vrha svjeće.
2. Pritisnite gumenu pumpicu za pokretanje 3-5 puta prije pokretanja motora. **(SI. 20)**
3. Pri pokretanju hladnog motora postavite polugu čoka prigušnog leptira u položaj „“. Pri pokretanju hladnog motora i pri radu postavite polugu čoka prigušnog leptira u položaj „“. **(SI. 21)**
4. Stanite iza jedinice, uhvatite ručicu za zaustavljanje i držite je uz gornju ručku kao što je prikazano na **SI. 22**.
5. Uхватite ručku pokretača kao što je prikazano na **SI. 22** i brzo je povucite prema gore. Nakon što se motor pokrene, polako vratite ručku u vodilicu za konopac. Oslobodite ručku za zaustavljanje kako biste zaustavili motor i oštricu.



Pokrenite motor pažljivo u skladu s uputama te sa stopalima prilično udaljenim od oštrice.



Ne naginjte kosilicu prilikom pokretanja motora. Kosilicu pokrenite na ravnoj površini bez visoke trave ili prepreka.



Ruke i stopala držite podalje od rotirajućih dijelova. Ne pokrećite motor stojeći ispred otvora za pražnjenje.

### 8-3 POSTUPCI ZA RUKOVANJE

Tijekom rukovanja, čvrsto držite ručicu za zaustavljanje s objema rukama.



**Napomena:** Kada tijekom rukovanja ispuštite ručicu za zaustavljanje, motor će se zaustaviti i tako prekinuti rad kosilice.



**UPOZORENJE:** Kako bi se izbjegla nenamjerna pokretanja kosilice za travu, kosilica je opremljena kočnicom motora koja se mora povući prema natrag prije nego se motor može pokrenuti. Kad se upravljačka poluga motora otpusti, mora se vratiti u svoj početni položaj i u tom se trenutku motor automatski gasi.



**Napomena:** Kočnica motora (ručna kočnica): Polugu upotrebljavajte za zaustavljanje motora. Kad otpustite polugu, motor i oštrica automatski se zaustavljaju. Za košnju držite polugu u radnom položaju. Prije nego započnete kositi nekoliko puta provjerite polugu za pokretanje/zaustavljanje kako biste provjerili radi li ispravno. Vodite računa da se zateznom kabelom može nesmetano rukovati (odnosno, da ne zapinje ili se izvija na bilo koji način).

### 8-4 ZA ZAUSTAVLJANJE MOTORA



**OPREZ:** Oštrica se nakon zaustavljanja motora nekoliko sekundi nastavlja okretati.

1. Oslobodite ručku za zaustavljanje kako biste zaustavili motor i oštricu.
2. Iskopčajte i uzemljite kabel svjeće kao što je opisano u zasebnom priručniku motora kako biste spriječili neželjeno pokretanje dok je oprema bez nadzora.

### 8-5 ZA NAJBOLJE REZULTATE U KOŠNJI

Očistite travnjak od otpadaka. Pobrinite se da na travnjaku ne bude kamenja, granja, žice ili drugih stranih predmeta koje bi kosilica mogla slučajno izbaciti u bilo kojem smjeru i uzrokovati teške ozljede rukovatelja i drugih osoba u blizini ili oštetiti imovinu ili druge predmete u blizini. Ne kosite mokru travu. Za učinkovito košenje, ne kosite mokru travu jer se takva trava lijepi za donju površinu platforme te onemogućuje pravilno košenje komada trave. Ne rezite više od 1/3 visine trave. Preporučena visina rezanja za košenje je 1/3 visine trave. Brzinu kretanja treba podesiti tako da se izrezani komadići trave ravnomjerno raspodijele po travnjaku. Za posebno teško rezanje debele trave možda će biti neophodna uporaba jedne od najnižih brzina kako bi se postiglo čisto i učinkovito košenje. Prilikom košenja visoke trave travnjak možete kositi u dvama prolazima tako da pri drugom rezanju spustite oštricu za još 1/3 visine, a možete rezati i drugim smjerom.

Ako kod svakog prolaza preklopite rezove, očistit ćete sve neodrezane dijelove koji su ostali na travnjaku. Kosilica treba uvijek raditi punim gasom kako bi postigla najbolje rezultate rezanja i najučinkovitije kosila. Očistite donju stranu platforme.

Obavezno očistite donju stranu platforme za rezanje nakon svake uporabe kako biste spriječili nakupljanje trave, što može onemogućiti pravilno malčiranje.



Košnja lišća: Košnja lišća također može biti korisna za vaš travnjak. Prilikom košenja lišća pobrinite se da lišće bude suho te da se na travnjaku ne nalazi predebeo sloj lišća. Ne čekajte da sve lišće otpadne sa stabala prije nego što počnete kositi.



**UPOZORENJE:** Ako udarite u strani predmet, zaustavite motor. Uklonite kabel sa svječiće, temeljito pregledajte kosilicu za bilo kakve znakove oštećenja i popravite ih prije ponovnog pokretanja i rukovanja kosilicom. Prekomjerne vibracije kosilice tijekom rada znak su oštećenja. Jedinicu treba što prije pregledati i popraviti.

## 8-6 HVATAČ TRAVE

Ispraznite i očistite vreću, pobrinite se da bude čista te da se mreža prozračuje. (SI. 23)

## 8-7 PLATFORMA

Donju stranu platforme kosilice treba čistiti nakon svake uporabe kako biste spriječili nakupljanje odrezanih komadića trave, lišća, nečistoća ili drugih materijala. Ako dozvolite nakupljanje otpadaka, ubrzat će hrđu i koroziju što može onemogućiti pravilno malčiranje. Platforma se može očistiti tako da nagnete kosilicu i očistite platformu odgovarajućim alatom (pobrinite se da kabel svječiće bude iskopčan).

## 8-8 UPUTE ZA PRILAGOĐAVANJE VISINE



**OPREZ:** Nikada ne vršite bilo kakvo prilagođavanje kosilice prije zaustavljanja motora i iskopčavanja kabela svječiće.



**OPREZ:** Prije promjene visine košenja, zaustavite kosilicu i iskopčajte kabel svječiće. Vaša kosilica je opremljena središnjom polugom za prilagođavanje visine s 5 položaja visine.

1. Prije promjene visine košenja, zaustavite kosilicu i iskopčajte kabel svječiće.
2. Središnja poluga za prilagođavanje visine pruža vam 5 različitih položaja visine.
3. Kako biste promijenili visinu rezanja, stisnite polugu za prilagođavanje prema kotaču te je pomaknite prema gore ili dolje do željene visine (SI. 24). Svi kotači će biti na istoj visini rezanja.

## 9. UPUTE ZA ODRŽAVANJE

### SVJEČICA

Koristite isključivo originalne zamjenske svječiće. Za najbolje rezultate, svječiću zamijenite nakon svakih 100 sati uporabe. (pogledajte PRIRUČNIK MOTORA)

### KOČNE PLOČICE

Redovito pregledavajte i/ili mijenjajte kočne pločice motora kod servisnog agenta. Za zamjenu se mogu koristiti samo originalni dijelovi.

## 10. UPUTE ZA PODMAZIVANJE



**OPREZ:** ISKOPČAJTE SVJEČICU PRIJE SERVISIRANJA.

1. KOTAČI - Laganim uljem podmažite kuglične ležajeve u svakom kotaču jedanput u sezoni.
2. MOTOR - Slijedite upute za podmazivanje u priručniku motora.
3. KOMANDA ZA ZAUSTAVLJANJE - Laganim uljem podmažite točke zakretanja ručice za zaustavljanje i njezine kočnice barem jedanput u sezoni. Komanda za zaustavljanje mora se slobodno kretati u oba smjera.

## 11. ČIŠĆENJE



**OPREZ:** Motor ne zalijevajte vodom iz crijeva. Voda može oštetiti motor ili kontaminirati sustav s gorivom.

1. Platformu obrišite suhom krpom.
2. Donju stranu platforme operite crijevom s vodom nakon što nagnete kosilicu tako da svječića bude okrenuta prema gore.

### 11-1 PROČISTAČ ZRAKA MOTORA



**OPREZ:** Ne dopustite da nečistoće ili prašina začepi spužvasti element zračnog filtra.

Element zračnog pročištača motora mora se servisirati (čistiti) nakon 25 sati košenja u uobičajenim uvjetima. Spužvasti element treba se redovito servisirati ako se kosilica koristi u suhim prašnjavim uvjetima. (pogledajte PRIRUČNIK MOTORA)

### ZA ČIŠĆENJE ZRAČNOG FILTRA

1. Za PLM4120N: Podignite jezičce na vrhu pokrova filtra.  
Za PLM4620N: Uklonite vijak.
2. Uklonite pokrov.
3. Element filtra operite u sapunjavoj vodi. **NE KORISTITE BENZIN!**
4. Osušite element filtra zrakom.
5. Nanesite nekoliko kapi ulja SAE30 na spužvasti filter i čvrsto ga stisnite kako biste uklonili višak ulja.
6. Ponovno montirajte filter.
7. Zatvorite pokrov filtra.



**NAPOMENA:** Ako se filter pohabao, poderao, oštetio ili se ne može očistiti, zamijenite ga. (SI. 25 za PLM4120N)

### 11-2 OŠTRICA ZA REZANJE



**OPREZ:** Obavezno iskopčajte i uzemljite svječiću prije rada na oštrici za rezanje kako biste spriječili slučajno pokretanje motora. Zaštitite ruke

čvrstim rukavicama ili krpom prilikom hvatanja oštrice za rezanje.

Nagnite kosilicu kao što je opisano u zasebnoj priručnici motora. Uklonite šesterokutni vijak i podlošku kojima su oštrica i prilagodnik oštrice pričvršćeni na koljenastom vratilu motora. Uklonite oštricu i prilagodnik s koljenastog vratila.



**UPOZORENJE:** Povremeno pregledajte

prilagodnik oštrice radi napuklina, osobito ako ste udarili u strani predmet. Zamijenite ako je potrebno.

Za najbolje rezultate vaša oštrica treba biti oštra. Oštrica se može ponovno naoštiriti tako da je uklonite te izbrusite ili isturpajate rezni rub. Pritom pokušajte što bolje očuvati originalnu kosinu oštrice. Iznimno je važno da jednakiomjerno izbrusite oba rezna ruba kako ne biste dobili neuravnoteženu oštricu. Neuravnotežena će oštrica uzrokovati prekomjerne vibracije, što može oštetiti motor i kosilicu. Poslije brušenja obavezno pravilno uravnotežite oštricu. Uravnoteženost oštrice može se isprobati na odvijaju s ravnom osovinom. Uklanjajte metal s teže strane dok ne postignete uravnoteženost. **(Sl. 26)** Prije ponovne montaže oštrice i njenog prilagodnika na jedinicu, laganim uljem podmažite koljenasto vratilo motora i unutarnju površinu prilagodnika oštrice. Postavite prilagodnik oštrice na koljenasto vratilo. Pogledajte **Sl. 26**. Postavite oštricu tako da broj dijela bude okrenut od prilagodnika. Poravnajte podlošku preko oštrice i umetnite šesterokutni vijak. Pritegnite šesterokutni vijak zateznim momentom navedenim dolje.

### 11-3 ZATEZNI MOMENT ZA MONTAŽU OŠTRICE

Središnji vijak mora biti zategnut zateznim momentom od 35 - 45 Nm. Kako biste osigurali pravilno funkcioniranje svoje jedinice, potrebno je povremeno provjeravati SVE matice i vijke radi pravilne zategnutosti. Nakon duljeg vremena uporabe, osobito u uvjetima pjeskovitog tla, oštrica će se istrošiti i donekle izgubiti svoj izvoran oblik. Učinkovitost rezanja bit će umanjena i tada oštricu treba zamijeniti.

Zamijenite je isključivo zamjenskom oštricom koju je odobrila tvornica. Proizvođač nije odgovoran za moguća oštećenja uslijed neuravnoteženosti oštrice.

Prilikom zamjene oštrice morate koristiti oštricu s oznakom izvornog tipa (MAKITA 263001433 za PLM4120N; MAKITA 263001451 za PLM4620N) (za naručivanje oštrica obratite se svom lokalnom trgovcu ili nazovite našu tvrtku).



**UPOZORENJE:** Ne dotičite oštricu koja se okreće.

### 11-4 MOTOR

Za upute za održavanje motora pogledajte zaseban priručnik motora.

Motorno ulje održavajte kao što je opisano u zasebnoj priručnici motora isporučenim s vašom jedinicom. Pažljivo pročitajte upute i pridržavajte ih se.

Servisirajte filter zraka prema uputama iz zasebnog priručnika motora kod uporabe pod normalnim okolnostima. U izrazito prašnjavim uvjetima čistite filter

svakih nekoliko sati. Slabe performanse motora i naplavljanje rasplinjača obično su znak da treba očistiti filter zraka.

Za servisiranje pročistača zraka, pogledajte zasebni priručnik motora isporučen s vašom jedinicom.

Jednom u sezoni treba očistiti svječicu i podesiti razmak između elektroda. Preporučuje se izmjena svječica na početku svake sezone košenja; provjerite priručnik motora za pravilan tip svječice i specifikacije razmaka među elektrodama.

Redovito čistite uređaj krpom ili četkom. Sustav za hlađenje (područje ventilatora u kućištu) mora biti čist kako bi se osigurao propisan protok zraka, neophodan za učinkovitost i trajnost motora. Obavezno uklonite svu travu, nečistoće i zapaljive otpatke iz područja oko ispušnog lonca.

## 12. UPUTE ZA SKLADIŠTENJE (IZVAN SEZONE)

Za pripremanje kosilice za skladištenje, potrebno je poduzeti sljedeće mjere.

1. Nakon posljednje košnje u sezoni ispraznite spremnik za gorivo.
  - a) Ispraznite spremnik za gorivo s pomoću pumpe za usisavanje.



**OPREZ:** Ne izlijevajte gorivo u zatvorenim prostorima, blizu otvorenog plamena itd. Ne pušite! Isparavanja goriva mogu uzrokovati eksploziju ili požar.

- b) Pokrenite motor i pustite ga da radi dok ne potroši cjelokupno preostalo gorivo i ne ugasi se.
  - c) Uklonite svječicu. Poslužite se kanticom za ulje da biste napunili pribl. 20 ml ulja u komoru za sagorijevanje. Uključite pokretač da biste jednako raspodijelili ulje unutar komore za sagorijevanje. Zamijenite svječicu.
2. Očistite i pažljivo mašću podmažite kosilicu kao što je opisano u dijelu „UPUTE ZA PODMAZIVANJE“.
  3. Lagano zamastite oštricu da biste izbjegli koroziju.
  4. Pohranite kosilicu na suho, čisto mjesto, zaštićeno od leda, izvan dosega neovlaštenih osoba.



**OPREZ:** Motor mora biti potpuno ohlađen prije spremanja kosilice.



**NAPOMENA:**

Prilikom spremanja bilo koje vrste pogonske opreme u prostoru bez prozračivanja ili hali za skladištenje materijala;

- Opremu treba zaštititi od hrđe. Premažite opremu laganim uljem ili silikonom, osobito kabele i pokretne dijelove.
- Pazite da ne savijete ili izvijete kabele.
- Ako se konopac pokretača otkaiči s vodilice konopca na ručici, iskopčajte i uzemljite kabel svječice, pritisnite ručku za upravljanje oštricom i polako izvucite konopac pokretača iz motora. Navucite konopac pokretača preko vijka vodilice konopca na ručici.

## Transport

Ugasite motor i ostavite ga da se ohladi. Zatim isključite kabel svječiće i ispraznite spremnik za gorivo prema uputama u priručniku za motor. Vodite računa da ne savijete ili oštetite rezač kad kosilicu za travu gurate preko prepreka.

## 13. RJEŠAVANJE PROBLEMA

PROBLEM	MOGUĆI UZROK	KOREKTIVNI POSTUPAK
Motor se ne pokreće.	Čok prigušnog leptira ne nalazi se u pravilnom položaju za trenutaine uvjete rada.	Pomaknite čok prigušnog leptira u pravilan položaj.
	Spremnik goriva je prazan.	Napunite spremnik gorivom: pogledajte PRIRUČNIK MOTORA.
	Element pročistača zraka je onečišćen.	Očistite element filtra zraka: pogledajte PRIRUČNIK MOTORA.
	Svječića se odvila.	Pritegnite svječiću s 25-30 Nm.
	Kabel svječiće je olabavio ili se odvojio od svječiće.	Montirajte kabel svječiće na svječiću.
	Razmak među elektrodama svječiće je nepravilan.	Postavite razmak među elektrodama na 0,7 do 0,8 mm.
	Svječića je neispravna.	Montirajte novu svječiću s pravilnim razmakom među elektrodama: pogledajte PRIRUČNIK MOTORA.
	Rasplinjač je preplavljen gorivom.	Uklonite element pročistača zraka i povlačite konopac pokretača dok se rasplinjač ne isprazni i ponovno montirajte element filtra zraka.
	Modul paljenja je pokvaren.	Kontaktirajte ovlašteni Makita servisni centar.
Motor se teško pokreće ili gubi snagu.	Nečistoća ili prijavština u spremniku za gorivo ili je gorivo izvjetrilo.	Ispraznite gorivo i očistite spremnik. Napunite spremnik čistim i svježim gorivom.
	Otvor za ventilaciju u čepu spremnika goriva se začeplio.	Očistite ili zamijenite čep spremnika goriva.
	Element pročistača zraka je zasićen.	Očistite element filtra zraka.
Motor radi nestalno.	Svječića je pokvarena.	Montirajte novu svječiću s pravilnim razmakom među elektrodama: pogledajte PRIRUČNIK MOTORA.
	Razmak među elektrodama svječiće je nepravilan.	Postavite razmak među elektrodama na 0,7 do 0,8 mm.
	Element pročistača zraka je onečišćen.	Očistite element pročistača zraka: pogledajte PRIRUČNIK MOTORA.
Motor loše radi u praznom hodu.	Element pročistača zraka je onečišćen.	Očistite element pročistača zraka: pogledajte PRIRUČNIK MOTORA.
	Otvori za prozračivanje u kućištu motora su začepljeni.	Iz utora uklonite otpatke.
	Rashladne rešetke i zračni kanali ispod kućišta puhalo motora su začepljeni.	Odstranite otpatke iz rashladnih rešetki i zračnih kanala.
Motor štuca pri visokim brzinama.	Razmak među elektrodama svječiće je premalen.	Postavite razmak među elektrodama na 0,7 do 0,8 mm.
Motor se pregrijava.	Ograničen je protok zraka za hlađenje.	Uklonite otpatke iz utora u kućištu, kućištu puhalo i zračnim kanalima.
	Neodgovarajuća svječića.	Za PLM4120N, na motor ugradite svječiću RC12YC ili QC12YC te rashladne rešetke. Za PLM4620N, montirajte svječiću tipa RJ19LMC i rashladne rešetke na motor.
Kosilica prekomjerno vibrira.	Sklop za rezanje se olabavio.	Pritegnite oštricu.
	Sklop za rezanje nije uravnotežen.	Uravnotežite oštricu.

## 14. ZAŠTITA OKOLIŠA

Ako trebate zamijeniti vaš stroj nakon dugotrajne uporabe, ne odlažite ga zajedno s kućanskim otpadom, već ga odstranite na način siguran za okoliš.

### Samo za europske zemlje

#### EC Izjava o sukladnosti

**Tvrtka Makita izjavljuje da su sljedeći strojevi:**

Oznaka stroja:

Benzinska kosilica za travu

Model br./ Vrsta: PLM4120N, PLM4620N

Specifikacije: Vidi „4. TEHNIČKI PODACI“

**U sukladnosti sa sljedećim europskim smjernicama:**

2004/108/EC, 2006/42/EC, 2000/14/EC i 2005/88/EC

Proizvedeni u skladu sa sljedećim standardima ili

standardiziranim dokumentima:

EN ISO 5395-1, EN ISO 5395-2, EN ISO 14982

Tehnička datoteka u skladu s 2006/42/EC dostupna je na

sljedećoj adresi:

Makita, Jan-Baptist Vinkstraat 2, 3070, Belgija

Postupak ocjenjivanja sukladnosti koje zahtijeva

Smjernica 2000/14/EC je u skladu sa Aneksom VI.

Prijavljeno tijelo:

TÜV SÜD Industrie Service GmbH

Westendstrasse 199, D-80686 München, Njemačka

Identifikacijski broj: 0036

PLM4120N

Izmjerena razina jačine zvuka: 93,4 dB

Zajamčena razina jačine zvuka: 96 dB

PLM4620N

Izmjerena razina jačine zvuka: 93,6 dB

Zajamčena razina jačine zvuka: 96 dB

22.8.2014



Yasushi Fukaya

Direktor

Makita, Jan-Baptist Vinkstraat 2, 3070, Belgija

## Легенда на општиот преглед

- |                         |                                 |                          |
|-------------------------|---------------------------------|--------------------------|
| 1. Горна рачка          | 6. Собирач на трева             | 11. Капаче за масло      |
| 2. Рачка на сопирачката | 7. Рачка за мesteње на висината | 12. Штипка за кабелот    |
| 3. Рачка на гасот       | 8. Глава                        | 13. Тркалце за блокирање |
| 4. Рачка на starterот   | 9. Свеќичка                     | 14. Голема брзина        |
| 5. Држач на јагето      | 10. Капаче за гориво            | 15. Мала брзина          |



### ПРЕДУПРЕДУВАЊЕ

За Ваша лична безбедност прочитајте го упатството пред да се обидете да работите со вашата нова машина. Непридржувањето до упатствата може да доведе до тешка телесна повреда. Одвојте малку време за да се запознаете со косилката пред секоја употреба. Чувајте го ова упатство на безбедно место за информациите секогаш да ви бидат достапни. Доколку му ја давате опремата на некое друго лице, предајте му ги упатствата за работа како и безбедносните прописи исто така.

### Наменета употреба

Опремата може да се употребува само за оние задачи за кои е наменета. Секаква друга употреба се смета дека претставува случај на злоупотреба. Корисникот/операторот, а не производителот ќе сноси одговорност за секаква штета или повреди кои може да настанат како резултат на тоа.

Бензинската косилка е наменета за приватна употреба т.е. за употреба во домот и градината.

Под приватна употреба на косилката се подразбира време на работа кое вообичаено не надминува 50 часа годишно при што машината главно се употребува за да се одржуваат мали, станбени тревници и домашни/мали градини. Се исклучува примена во јавни капацитети, спортски сали и во земјоделство/шумарство.

Имајте предвид дека нашата опрема не е дизајнирана за комерцијална, трговска или индустриска примена. Нашата гаранција ќе стане неважечка доколку машината се употребува во комерцијални, трговски или индустриски деловни операции или за слични цели.

Упатствата за работа такви како што се испорачани од производителот мора да се почитуваат и следат за да се осигури дека косилката соодветно се употребува и одржува. Упатствата содржат корисни информации за работењето, одржувањето и околностите за сервисирање.

Важно! Поради висок ризик од телесни повреди кај корисникот, косилката не смее да се употребува за поткастрување грмушки, живи огради или џбунови, за сечење скалеста вегетација, засадени кровови или трева што се одгледува на балкони, чистење (вшмукување) нечистотии и остатоци покрај пешачки патеки или да се сечат дрвја или гранки од жива ограда. Исто така, косилката не смее да се употребува како култиватор за рамнење на високи области како кречини.

Од безбедносни причини, косилката не смее да се употребува како погонски уред за други работни алати или прибори на алат од каков било вид.

## 1. СИМБОЛИ НА ПРОИЗВОДОТ (на задниот капак)



Прочитајте го упатството за ракување.



Држете ги другите лица подалеку.



Внимавајте повеќе на рацете и стопалата на операторот за да избегнете повреди.



Отровни пари; не ракувајте во затворен простор.



Горивото е запаливо, подалеку од оган. Не дополнувајте гориво во машина што работи.



Кога косите, носете очила и штитници за уши за да се заштитите.



Кога поправате, извадете ја свеќичката и исчистете ја според упатството за ракување.



Претпазливо: Жежок мотор.



Отпуштете ја рачката за да го спрете моторот.

## 2. ОПШТИ БЕЗБЕДНОСНИ ПРАВИЛА



**ПРЕДУПРЕДУВАЊЕ:** Кога се користат бензински алати, за да се избегнат потешки повреди и/или оштетување на уредот, секогаш треба да се почитуваат основните безбедносни мерки, вклучително и следниве.

Прочитајте ги сите упатства пред да ракувате со производот и чувајте го упатството за во иднина.



**ПРЕДУПРЕДУВАЊЕ:** Машината произведува електромагнетно поле за време на работата. Во извесни околности, тоа поле може да им предизвика пречки на активни или пасивни медицински импланти. За да се намали ризикот од тешки или смртоносни повреди, препорачуваме лицата со медицински импланти да се посоветуваат со својот лекар и производителот на медицинскиот имплант пред да ракуваат со машината.

### Обука

- Прочитајте ги упатствата внимателно. Запознајте се со контролите и правилната употреба на опремата. Научете како брзо да го запрете моторот.
- Користете ја косилката само за намената за која е дизајнирана, односно за косење и собирање трева. Секоја друга употреба може да биде опасна и да предизвика оштетување на машината. Примери за неправилна употреба вклучуваат, но без ограничување:
  - транспортирање луѓе, деца или животни на машината;
  - кога вие се транспортирате на машината;
  - користење на машината за влечење или туркање товари;
  - користење на машината за собирање лисја или отпад;
  - користење на машината за потстрижување живи огради или за косење друг вегетација освен трева;
  - употреба на машината од страна на повеќе од едно лица;
  - користење на сечилото на други површини освен тревни.
- Не дозволувајте деца или луѓе што не се запознаени со упатствата да ја користат косилката. Локалните прописи може да ја ограничуваат возраста на операторот.
- Никогаш не користете ја косилката:
  - кога има луѓе, особено деца или домашни животни, во близина;
  - ако операторот примил лекарства или супстанции што може да влијаат врз неговата способност да реагира и да се концентрира.
- Имајте на ум дека операторот или користникот е одговорен за несреќите или опасностите што им се случуваат на другите луѓе или имотот.

- Операторите мора да добијат соодветна обука за употреба, приспособување и работење со машината, вклучувајќи и кои дејствија се забранети.

### Подготовка

- Додека косите, секогаш носете тешки обувки и долги панталони. Не ракувајте со опремата боси или со отворени сандали.
- Темелно проверете ја областа каде што ќе се употребува косилката и отстранете ги сите предмети како што се камења, играчки, стапчиња и жици кои машината може да ги отфрли.
- **ПРЕДУПРЕДУВАЊЕ** - Бензинот е многу запалив.
  - Чувајте го горивото во садови специјално конструирани за таа намена;
  - Полнете гориво само надвор и не пушете притоа;
  - Додајте гориво пред да го палите моторот. Не вадете го капачето на резервоарот и не дополнувајте бензин додека моторот работи или е жешок;
  - Ако се истури бензин, не обидувајте се да го запалите моторот, туку тргнете ја машината подалеку од подрачјето на истурањето и обидете се да не создадете извор на палење додека не се развее бензинските пари;
  - затворете ги капачињата на резервоарот и на садот цврсто.
- Заменете ги неисправните придушувачи.
- Пред употреба, секогаш визуелно проверете ги сечилата, завртките на сечилата и комплетот за сечење да не се избавени или оштетени. Заменете ги избавените или оштетените сечила и завртките во комплетите за да ја зачувате рамнотежата.
- Редовно проверувајте за да бидете сигурни дека сите погонски сигурносни склопки и автоматските контроли при попреченост на операторот правилно функционираат.

### Работење

- Не работете со моторот во затворен простор, каде што може да се наталожат опасни јаглерод моноксидни пари.
- Не работете со машината кога сте уморни или кога сте под влијание на алкохол или други лекови.
- **Предупредување!** Не употребувајте ја косилката кога постои ризик од појава на молњи.
- Се препорачува да се ограничи времетраењето на работењето за да се сведат на минимум ризиците од бучавата и вибрацијата.
- Внимавајте кога работите со косилката по падини и блиску до надолнини, ендеци или насипи.
- Косете само дење или на добро вештачко светло.
- Избегнувајте работа со опремата на мокра трева, кога е можно.
- Секогаш внимавајте како газите по стрмнини.
- Одете, никогаш не трчајте.
- Со вртливи машини на тркала, косете напречно по падини, никогаш нагоре или надолу.
- Бидете многу претпазливи кога менувате насока на падини.
- Не косете многу стрмни падини.
- Бидете многу претпазливи кога одите наназад или ја влечете косилката кон себе.

- Сопрете ги сечилата ако косилката треба да се навали за превоз кога се поминуваат површини што не се тревни и кога ја пренесувате косилката до и од подрачјето што треба да се коси.
- Не работете со косилката ако штитниците се оштетени или ако безбедносните делови, на пр. одбојниците и/или собирачите на тревата, не се на своите места.
- Внимание: Косилката не смее да се употребува ако целиот собирач за трева или штитникот на самозатворачкиот отвор за исфрлање не се поставени на своето место.
- Не менувајте ги основните поставки на моторот и не пребрзувајте го.
- Немојте да го менувате или да вршите неовластени промени кај кое било запечатено прилагодување на контролите за брзината на моторот
- Безбедносните системи или карактеристики на косилката не смеат да се подложуваат на неовластени промени ниту пак да се онеспособуваат.
- Откочете ги сите сечила и погонски квачила пред да го запалите моторот.
- Запалете го моторот внимателно, според упатството и со нозете далеку од сечилата.
- Не навалувајте ја косилката кога го палите моторот.
- Не палете го моторот кога стоите пред отворот за исфрлување.
- Не ставајте раце или нозе близу или под вртливите делови. Бидете подалеку од отворот за исфрлување во секое време.
- Не кревајте ја и не носете ја косилката додека моторот работи.
- Сопрете го моторот и откачете го кабелот на свеќичката, проверете дали сите подвижни делови сопреле целосно и, кога има клуч, извадете го клучот:
  - пред да одглавувате блокирања или да го чистите испустот;
  - пред проверување, чистење или работење на косилката;
  - откако ќе удриете во некој предмет. Проверете ја косилката да не е оштетена и извршете ги поправките пред да ја запалите повторно и да работите со косилката.
  - ако косилката почне да вибрира ненормално (проверете веднаш).
- Сопрете го моторот и откачете го кабелот на свеќичката, проверете дали сите подвижни делови сопреле целосно и, кога има клуч, извадете го клучот:
  - секогаш кога ја оставате косилката;
  - пред полнење гориво.
- Намалете го гасот додека моторот е изгаснат и, ако моторот има вентил за прекин на доводот на гориво, затворете го доводот на крајот на косењето.
- Користете ја косилката само за нејзината намена, за косење и собирање трева. Секоја друга употреба може да биде ризична и може да предизвика оштетување на машината.

## Одржување и чување

- Одржувајте ги сите навртки и завртки затегнати за да бидете сигурни дека опремата е во безбедна работна состојба.
- Не одложувајте ја опремата со бензин во резервоарот во објект каде што испарувањата може да дојдат до отворен пламен или искра.
- Дозволете моторот да се олади пред да го складирате во некој затворен простор; Чистете ја и одржувајте ја косилката пред складирање.
- За да ја намалите опасноста од пожар, одржувајте ги моторот, придушувачот, одделот за акумулаторот и околината околу резервоарот за бензин чисти, без трева, лисја или премногу маснотии.
- Проверувајте го собирачот на тревата често да не е изабен или истрошен.
- Заменувајте ги изабените и оштетените делови за поголема безбедност.
- Ако резервоарот за гориво треба да се испразни, тоа треба да се направи на отворено.
- Неправилното одржување, употребата на несоодветни резервни делови, или отстранувањето или модификацијата на безбедносните компоненти може да ја оштети косилката и сериозно да ги повреди операторите.
- Употребувајте само препорачани сечила и резервни делови од производителот. Употребата на неоригинални делови може да ја оштети машината и сериозно да ги повреди операторите. Чувајте ја косилката во добра работна состојба.
- Доколку уредот за запирање на сечилото не работи, контактирајте го сервисниот центар за помош.

## Транспортирање и ракување

- Кога со машината треба да се ракува, да се подигне, транспортира или навали, вие мора:
  - да носите цврсти работни ракавици;
  - да ја држите машината за точките кои нудат стабилно држење, имајќи ги предвид тежината и распределувањето на тежината;
  - да користите соодветен број луѓе за тежината на машината и карактеристиките на возилото или местото каде што треба да се складира или собере.
- За време на транспортирањето, цврстите фиксирајте ја машината со јажиња или синџири.



**ПРЕДУПРЕДУВАЊЕ:** Не допирајте сечило што се врти.



**ПРЕДУПРЕДУВАЊЕ:** Полнете гориво во добро проветрено подрачје, со сопрен мотор.

## 3. ОПИС НА ДЕЛОВИТЕ (Сл. 1 и 2)

### Вклучува

- A: Клуч за свеќичката
- B: Клин за малчирање

## 4. ТЕХНИЧКИ ПОДАТОЦИ

Модел	PLM4120N	PLM4620N
Тип мотор	B&S Серија 500E	B&S Серија 625E
Самодвижечки	He	He
Зафатнина на моторот	140 cm <sup>3</sup>	190 cm <sup>3</sup>
Номинална моќност	1,9 kW	2,4 kW
Ширина на сечилото	410 mm	460 mm
Брзина во празен од	2.800/min	2.800/min
Капацитет на резервоарот за гориво	0,8L	1,0L
Капацитет на резервоарот за масло	0,47L	0,6L
Капацитет на вреќата за собирање трева	50L	60L
Нето тежина	26,0 kg	31,1 kg
Местење на висината	25-70 mm, 5 положби	25-70 mm, 5 положби
Гарантирано ниво на јачина на звук на местото на операторот (Според EN ISO 5395-1 Анекс F и EN ISO 5395-2, EN ISO 4871)	84,6dB(A) (K=3dB(A))	83,5dB(A) (K = 3dB(A))
Измерено ниво на јачина на звук	93,4dB(A) K=1,93dB(A)	93,6dB(A) K=2,47dB(A)
Гарантирано ниво на јачина на звук (Според 2000/14/EC)	96dB(A)	96dB(A)
Вибрации Според EN ISO 5395-1 Анекс G и EN ISO 5395-2)	5,27 m/s <sup>2</sup> K=1,5 m/s <sup>2</sup>	5,738 m/s <sup>2</sup> K=1,5 m/s <sup>2</sup>

## 5. СОСТАВУВАЊЕ

### 5-1 СКЛОПУВАЊЕ НА РАЧКАТА

- A) Прицврстете ги долните управувачи за телото на уредот со двата комплети завртки, шажбната и тркалцето за блокирање, како што е прикажано. (Сл. 3, Сл. 4, Сл. 5, Сл. 6)
- B) Ослободете ги горните управувачи за преклопување. Поврзете ги горната и долната рачка со двата комплети завртки, шажбната и тркалцето за блокирање. (Сл. 7, Сл. 8, Сл. 9)
- C) Поставете ги сите кабли врз отворите на рачката. Закачете ги околу средината на долните рачки со држачите за кабли така што каблите ќе се прицврстат од надворешната страна на машината. Инаку, каблите може да се штитнат со отворање/затворање на задниот капак или да се изместат со преклопување на горната рачка. (Сл. 10)

### 5-2 СОСТАВУВАЊЕ НА СОБИРАЧОТ НА ТРЕВА

- Ставање: Кренете го задниот капак и закачете го собирачот на трева за процепот од задниот дел на косилката. (Сл. 11, Сл. 12)
- Вадење: фатете го и кренете го задниот капак, извадете го собирачот на трева.

### 5-3 РАЧКА НА СТАРТЕРОТ

Придвижете ја рачката на стартерот од моторот кон држачот на јагето. (Сл. 13, Сл. 14)

### 5-4 ВИСИНА НА КОСЕЊЕТО

Притиснете нанадвор за да ја одглавите рачката од комплетот. Поместете ја рачката напред или назад за да ја наместите висината. (Сл. 15 и видете услов 8-8)

## 6. МЕСТЕЊЕ НА СООДВЕТНА ВИСИНА

- Повлечете го тркалцето за блокирање што ја држи долната дршка. (Сл. 16)
- Видете на Сл. 17, поместете ја долната рачка нагоре и надолу, прилагодете на соодветната висина. Има 3 висини за прилагодување од коишто може да се избере за овој тип косилка; на висина 1, долната рачка е највисоко од плото, на 3 е најниско.
- Прилагодете на саканата висина, па прицврстете ја долната рачка со тркалцата за блокирање.



**ПРЕДУПРЕДУВАЊЕ:** Левата и десната страна на долната рачка треба да се стават на иста висина.

## 7. 2 ВО 1

Овие косилки може да ја заменат функцијата, врз основа на намената:

Од косилка со задно исфрлување во косилка со малчирање.

Што е малчирање?



При малчирање тревата се коси во првиот работен чекор, потоа се ситни и се враќа на тревникот како природно ѓубриво.

Совети за косење со малчирање:

- Вообичаено косење од најмногу 2 cm на 6 cm до 4 cm висина на тревата.
- Користете остар нож.
- Не косете мокра трева.
- Поставете на максимална брзина на моторот.
- Движете се само полека.
- Редовно чистете ги клинот за малчирање, внатрешната страна на кукиштето и сечилото за косење.

## ЕДЕН: Преправање во косилка за малчирање



**ПРЕДУПРЕДУВАЊЕ:** Само со сопрен мотор и секач во мирување.

1. Кренете го задниот капак и извадете го собирачот на трева.
2. Притиснете го клинот за малчирање во главата. Заглавете го клинот за малчирање со копчето во отворот на главата. (Сл. 18, Сл. 19)
3. Спуштете го задниот капак.

## ДВА: Косење со собирачот на трева

1. За косење со собирачот на трева, извадете го клинот за малчирање и монтирајте го собирачот на трева.
  2. Вадење на клинот за малчирање.
- Кренете го задниот капак и извадете го клинот за малчирање.



**ПРЕДУПРЕДУВАЊЕ:** Само со сопрен мотор и секач во мирување.

## 8. УПАТСТВА ЗА РАКУВАЊЕ

### 8-1 ПРЕД ПАЛЕЊЕ

Наполнете го моторот со бензин и масло како што е наведено во посебниот прирачник за моторот спакуван со косилката. Прочитајте ги упатствата внимателно.



**ПРЕДУПРЕДУВАЊЕ:** Бензинот е многу запалив.

Чувајте го горивото во садови специјално конструирани за таа намена.

Полнете гориво само надвор, пред да го палите моторот и не пушете додека полните гориво или ракувате со него.

Не вадете го капачето на резервоарот и не дополнувајте бензин додека моторот работи или додека моторот е жежок.

Ако се истури бензин, не обидувајте се да го запалите моторот, туку тргнете ја машината подалеку од подрачјето на истурањето и обидете се да не создадете извор на палење додека не се разврат бензинските пареи.

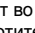

Затворете ги капачињата на резервоарот и на садот цврсто.

Пред да ја навалите косилката за одржување на сечилото или за празнење на маслото, испразнете го резервоарот од гориво.



**ПРЕДУПРЕДУВАЊЕ:** Не полнете го резервоарот во затворено, со запален мотор или додека моторот не се изладил барем 15 минути по работата.

### 8-2 ПАЛЕЊЕ НА МОТОРОТ И АКТИВИРАЊЕ НА СЕЧИЛОТО

1. Уредот е опремен со гумена чизма преку крајот на свеќичката, проверете дали металната јамка на крајот на кабелот за свеќичката (во гумената чизма) е прицврстена добро преку металниот врв на свеќичката.
2. Притиснете ја пумпата за гориво 3-5 пати пред да го палите моторот. (Сл. 20)
3. Кога палите студен мотор, ставете ја рачката на гасот во положба „“. Кога палите топол мотор и работите, ставете ја рачката на гасот во положба „“. (Сл. 21)
4. Стоејќи зад уредот, фатете ја рачката на сопирачката и држете ја близу до горната рачка како што е прикажано на Сл. 22.
5. Фатете ја рачката на стартерот како што е прикажано на Сл. 22 и повлечете нагло. Вратете полека до завртката на држачот на јажето откако ќе се запали моторот. Отпуштете ја рачката на сопирачката за да ги сопрате моторот и сечилото.



Запалете го моторот внимателно, според упатството и со нозете далеку од сечилата.



Не навалувајте ја косилката кога го палите моторот. Палете ја косилката на рамна површина, без висока трева или пречки.



Држете ги рацете и нозете подалеку од вртливите делови. Не палете го моторот кога стоите пред отворот за исфрлување.

### 8-3 РАБОТНИ ПОСТАПКИ

За време на работата, цврсто држете ја рачката на сопирачката со двете раце.



**Напомена:** За време на работата, кога рачката на сопирачката е отпуштена, моторот ќе сопре и со тоа косилката ќе престане да работи.



**ПРЕДУПРЕДУВАЊЕ!** За да се избегнат какви било ненамерни вклучувања на косилката, таа е опремена со кочница на моторот која мора да се врати назад пред да може да се вклучи моторот. Кога рачката за контрола на моторот ќе се отпусти, таа мора да се врати на својата почетна позиција, при што моторот автоматски ќе се исклучи.



**Напомена:** Кочница на моторот (рачка на кочница): Употребете ја рачката за да го запрете моторот. Кога ќе ја отпуштите рачката, моторот и сечилото запираат автоматски. За да косите, држете ја рачката во работна позиција. Пред да почнете да косите, проверете ја рачката за вклучување/запирање неколку пати за да се осигурате дека работи правилно. Осигурете се дека затегнатата сајла работи лесно (т.е. не е заглавена ниту пак свиткана).

## 8-4 ГАСЕЊЕ НА МОТОРОТ



**ВНИМАНИЕ:** Сечилото се врти уште неколку секунди откако ќе се изгаси моторот.

1. Отпуштете ја рачката на сопирачката за да ги сопрете моторот и сечилото.
2. Откачете го и вземјете го кабелот за свеќичката како што е наведено во посебното упатство за моторот за да се спречи несакано палење додека не се внимава на опремата.



## 8-5 ЗА НАЈДОБРИ РЕЗУЛТАТИ ПРИ КОСЕЊЕТО

Исчистете го тревникот од отпадоци. Внимавајте тревникот да нема камења, стапчиња, жици или други предмети што косилката може случајно да ги исфрли во која било насока и да предизвика тешки повреди на операторот и на другите, како и штета на имотот и околните објекти. Не косете мокра трева. За ефикасно косење, не косете мокра трева бидејќи таа се лепи за долниот дел на главата и спречува правилно косење на парчињата трева. Не косете повеќе од 1/3 од должината на тревата.

Препорачано сечење за косење е 1/3 од должината на тревата. Брзината на движење по тлото треба да се прилагоди за да може искосеното да се распредели рамномерно по тревникот. За особено тешко косење на густа трева, може да биде потребно да се користи една од најмалите брзини за да се добие чисто добро косење. Кога се коси висока трева, може ќе треба да го искосите тревникот во две поминувања, спуштајќи го сечилото уште 1/3 од должината при второто косење и можеби косејќи по друга патека отколку првиот пат.

Преклопувајте ја патеката по малку при секое поминување за да се исчистат преостанатите парченца на тревникот. Со косилката треба да се работи со полн гас за да се добие најдобро сечење и за да може да искоси најефикасно. Исчистете ја долната страна на главата.

Внимавајте да ја чистите долната страна на главата за косење по секоја употреба за да спречите наталожување трева, што ќе спречи правилно малчирање.

Косење лисја: Косењето лисја исто може да биде корисно за тревникот. Кога косите лисја, внимавајте да се суви и да не се во многу дебел слој на тревникот. Не чекајте сите лисја да паднат од дрвјата пред да косите.



**ПРЕДУПРЕДУВАЊЕ:** Ако удрите во некој предмет, сопрете го моторот. Извадете го кабелот од свеќичката, темелно проверете ја косилката да не е оштетена и поправете ја штетата пред повторно да ја запалите и да работите со косилката. Прекумерни вибрации на косилката за време на работата се показател на оштетување. Уредот треба веднаш да се испита и да се поправи.

## 8-6 СОБИРАЧ НА ТРЕВА

Испразете ја и исчистете ја вреќата, проверете дали и чиста и дали мрежата пушта воздух. (Сл. 23)

## 8-7 ГЛАВА

Долната страна на главата за косење треба да се исчисти по секоја употреба за да не се насоберат парчиња трева, лисја, земја или други отпадоци. Ако отпадоците се остаат да се насобираат, може да дојде до 'рѓосување и корозија и да не може правилно да се малчира. Главата може да се чисти со навалување на косилката и гребење со соодветна алатка (внимавајте кабелот на свеќичката да е откачен).

## 8-8 УПАТСТВА ЗА МЕСТЕЊЕ НА ВИСИНАТА



**ВНИМАНИЕ:** Никогаш не вршете прилагодување на косилката ако претходно не сте го сопреле моторот и не сте го откачиле кабелот на свеќичката.



**ВНИМАНИЕ:** Пред да ја менувате висината за косење, сопрете ја косилката и откачете го кабелот за свеќичката. Косилката е опремена со рачка за централно прилагодување на висината што има 5 положби.

1. Сопрете ја косилката и откачете го кабелот за свеќичката пред да ја менувате висината за косење на косилката.
2. Рачката за централно прилагодување на висината има 5 положби за висината.
3. За да ја смените висината на косењето, притиснете ја рачката за местење кон тркалото, движејќи ја нагоре или надолу до избраната висина (Сл. 24). Сите тркала ќе бидат на иста висина на косење.

## 9. УПАТСТВА ЗА ОДРЖУВАЊЕ СВЕЌИЧКА

Користете само оригинална свеќичка за замена. За најдобри резултати, заменувајте ја свеќичката на секои 100 часа употреба. (видете во ПРИРАЧНИКОТ ЗА МОТОРОТ).

## ГУРТНИ НА КОЧНИЦАТА

Редовно проверувајте ги и/или менувајте ги гуртните на кочницата на моторот кај сервисен агент, а за замена, смее да се употребуваат само оригинални резервни делови.

## 10. УПАТСТВА ЗА ПОДМАЧКУВАЊЕ



**ВНИМАНИЕ:** ОТКАЧЕТЕ ГО КАБЕЛОТ ЗА СВЕЌИЧКАТА ПРЕД СЕРВИСИРАЊЕ.

1. ТРКАЛА - Подмачкувајте ги лежиштата на секое тркало со лесно масло барем еднаш во сезона.
2. МОТОР - Постапувајте според упатствата за подмачкување од прирачникот за моторот.
3. СОПИРАЧКА - Подмачкувајте ги точките на вртење на рачката на сопирачката и кабелот со лесно масло барем еднаш во сезона. Контролата на сопирачката мора да се движи слободно во обете насоки.

## 11. ЧИСТЕЊЕ



**ВНИМАНИЕ:** Не чистете го моторот со крево. Водата може да го оштети моторот или да го загади горивниот систем.

1. Бришете ја главата со сува крпа.
2. Чистете со крево под главата навалувајќи ја косилката така што свеќичката ќе биде горе.

### 11-1 ПРЕЧИСТУВАЧ НА ВОЗДУХОТ НА МОТОРОТ



**ВНИМАНИЕ:** Не дозволувајте земја или прашина да го затнат сунѓерестиот елемент на филтерот за воздух.

Елементот на пречистувачот за воздух на моторот треба да се сервисира (чисти) по 25 часа нормално косење. Сунѓерестиот елемент мора да се сервисира редовно ако косилката се користи во суви правливи услови. (видете во ПРИРАЧНИКОТ ЗА МОТОРОТ).

### ЗА ЧИСТЕЊЕ НА ФИЛТЕРОТ ЗА ВОЗДУХ

1. За PLM4120N: Кренете ги јазичињата од горниот дел на капакот на филтерот.  
За PLM4620N: Извадете ја завртката.
2. Извадете го капакот.
3. Измијте го елементот на филтерот во сапуница. **НЕ КОРИСТЕТЕ БЕНЗИН!**
4. Исушете го елементот на филтерот на воздух.
5. Ставете неколку капки масло SAE30 на сунѓерестиот филтер и притиснете благо за да се отстрани вишокот масло.
6. Вратете го филтерот на место.
7. Затворете го капакот на филтерот.



**НАПОМЕНА:** Заменете го филтерот ако е распарчен, искинат, оштетен или не може да се исчисти. (Сл. 25 за PLM4120N)

## 11-2 СЕЧИЛО



**ВНИМАНИЕ:** Внимавајте да го откачите и вземјате кабелот на свеќичката пред да работите на сечилото за да не дојде до случајно палење на моторот. Заштитете ги рацете со тешки ракавици или крпа за да ги фатите сечилата. Навалете ја косилката како што е одредено во посебниот прирачник за моторот. Извадете ги имбус завртката и шајбната што ги држат сечилото и адаптерот за погонската оска на моторот. Извадете ги сечилото и адаптерот од оската.



**ПРЕДУПРЕДУВАЊЕ:** Повремено проверувајте го адаптерот за сечилото да не е напукнат, особено ако удриле во некој предмет. Заменете ако е потребно.

За најдобри резултати, сечилото треба да е остро. Сечилото може да се наостри откако ќе се извади и ќе се избруси или истурпија работ за сечење колку што е можно поблиску до оригиналната состојба. Многу е важно секој раб за сечење да се избруси подеднакво за да не дојде до неврамнотежено сечило. Неправилна рамнотежа на сечилото ќе доведе до прекумерни вибрации, што може да ги оштети моторот и косилката. Внимателно врамнотежете го сечилото по острењето. Сечилото може да се испроба дали е врамнотежено со ставање на врвот на завртка. Отстранувајте метал од потешката страна додека не се врамнотежи рамномерно. (Сл. 26)  
Пред да ги составите сечилото и адаптерот со уредот, подмачкајте ги оската на моторот и внатрешната површина на адаптерот со лесно масло. Наместете го адаптерот за сечилото на оската. Видете на Сл. 26. Ставете го сечилото со бројот на делот свртен од адаптерот. Порамнете ја шајбната преку сечилото и вметнете ја имбус-завртката. Затегнете ја имбус-завртката до моментот наведен подолу.

### 11-3 ВРТЛИВ МОМЕНТ ЗА МОНТИРАЊЕ НА СЕЧИЛОТО

Средишната завртка треба да се затегне до момент од 35 - 45 Nm. За да осигурате безбедна работа на уредот. СИТЕ навртки и завртки треба да се проверуваат повремено дали се затегнати. По подолга употреба, особено на песококлива почва, сечилото ќе се изаби и ќе го изгуби оригиналниот облик. Сечењето ќе биде помалку ефикасно и сечилото треба да се замени. Заменувајте го само со фабрички одобрено сечило. Производителот не е одговорен за евентуални оштетувања поради неврамнотеженост на сечилото. Кога го менувате сечилото, треба да го користите оригиналниот тип означен на сечилото (MAKITA 263001433 за PLM4120N, MAKITA 263001451 за PLM4620N) (за да нарачате сечило, контактирајте со локалниот продавач или јавете се кај нас).



**ПРЕДУПРЕДУВАЊЕ:** Не допирајте сечило што се врти.

## 11-4 МОТОР

Видете во посебниот прирачник за моторот за упатства за одржување на моторот.

Одржувајте го моторното масло како што е наведено во посебниот прирачник за моторот спакуван со вашиот уред.

Прочитајте ги упатствата и проследете ги внимателно.

Сервисирајте го пречистувачот за воздух како што е наведено во прирачникот за моторот под нормални услови. При крајно правливи услови, чистете на неколку часа. Слаби перформанси на моторот и преплавување обично укажуваат дека пречистувачот на воздух треба да се сервисира.

За да го сервисирате пречистувачот на воздухот, видете во прирачникот за моторот спакуван со вашиот уред.

Свеќичката треба да се чисти и зazorот да се ресетира еднаш во сезона. Се препорачува замена на свеќичката на почетокот на секоја сезона на косење; видете во прирачникот за моторот за правилниот тип свеќичка и спецификациите на зazorот.

Чистете го моторот редовно со крпа или четка.

Одржувајте го системот за ладење (куќиштето на дувачот) чист за да овозможите правилно кружење на воздухот коешто е многу важно за работата и векот на траење на моторот. Внимателно отстранувајте ги тревата, земјата и запаливите отпадоци од подрачјето на придушувачот.

## 12. УПАТСТВА ЗА ЧУВАЊЕ (ВОН СЕЗОНА)

Следниве чекори треба да се преземат за да се подготви косилката за чување.

1. Испразнете го резервоарот по последното косење сезоната.
  - a) Испразнете го резервоарот за бензин со пумпа за цицање.



**ВНИМАНИЕ:** НЕ цедете го бензинот во затворени простории, близу до отворен пламен и сл. Не пушете! Пареата од бензинот може да предизвика експлозија или пожар.

- b) Запалете го моторот и оставете го да работи додека не го потроши преостанатиот бензин и застане.
  - c) Извадете ја свеќичката. Со кантичка за масло ставете околу 20 мл масло во комората за согорување. Работете со стартерот за да го распоредите маслото рамномерно во комората за согорување. Вратете ја свеќичката на место.
2. Исчистете ја и подмачкајте ја косилката внимателно, како што е опишано во „УПАТСТВА ЗА ПОДМАЧКУВАЊЕ“.
  3. Подмачкајте го малку секачот за да избегнете корозија.
  4. Одложете ја косилката на суво, чисто место заштитено од мраз, подалеку од досегот на неовластени лица.



**ВНИМАНИЕ:** Моторот треба да е целосно изладен пред да се одложи косилката.



### НАПОМЕНА:

Кога одложувате каква било моторна опрема во непроветрена или шупа за чување материјали;

- Треба да се преземат мерки за заштита од 'ргосување на опремата. Премачкајте ја опремата со лесно масло или силикон, особено каблите и подвижните делови.
- Вивавајте да не ги извиткате или прекршите каблите.
- Ако јагето за стартување се откачи од држачот на јагето на рачката, откачете го и вземјете го кабелот на свеќичката. Притиснете ја рачката за контрола на сечилото и извлечете го полека јагето за стартување од моторот. Пикнете го јагето за стартување во завртката на држачот за јагето на рачката.

### Транспорт

Исклучете го моторот и дозволете моторот да се излади. Потоа исклучете го кабелот за свеќичка и испразнете го резервоарот за гориво според упатствата во прирачникот за моторот. Внимавајте да не го свиткате или оштетите сечилото кога минувате со косилката над пречки.

### 13. РЕШАВАЊЕ НА ПРОБЛЕМИТЕ

ПРОБЛЕМ	ВЕРОЈАТНА ПРИЧИНА	ШТО ТРЕБА ДА СЕ ПРЕЗЕМЕ
Моторот не пали.	Рачката на гасот не е во правилна положба за моменталните услови.	Ставете ја рачката на гасот во правилна положба.
	Резервоар за гориво е празен.	Наполнете го резервоарот со гориво: видете во ПРИРАЧНИКОТ ЗА МОТОРОТ.
	Елементот на пречистувачот за воздух е валкан.	Исчистете го елементот на пречистувачот за воздух: видете во ПРИРАЧНИКОТ ЗА МОТОРОТ.
	Свеќичката е разлабавена.	Затенете ја свеќичката до 25 - 30 Nm.
	Кабелот за свеќичката е разлабавен или откачен од неа.	Наместете го кабелот за свеќичката на неа.
	Зазорот на свеќичката е неправилен.	Поставете го зазорот меѓу електродите на 0,7 до 0,8 mm.
	Свеќичката е неисправна.	Ставете нова, правилно прилагодена свеќичка: видете во ПРИРАЧНИКОТ ЗА МОТОРОТ.
	Карбураторот е преплавен со гориво.	Извадете го елементот на пречистувачот на воздух и влечете го јажето за стартување повеќепати додека карбураторот не се исчисти и вратете го елементот на пречистувачот на воздух.
Неисправен модул за палење.	Контактирајте со овластен сервисен центар на Makita.	
Моторот тешко се пали или губи сила.	Нечистотии, вода или нечист резервоар.	Испразнете го горивото и исчистете го резервоарот. Наполнете го резервоарот со чисто, свежо гориво.
	Отворот за проветрување на капачето на резервоарот е затнат.	Исчистете го или заменете го капачето на резервоарот.
	Елементот на пречистувачот за воздух е валкан.	Исчистете го елементот на пречистувачот за воздух.
Моторот работи неправилно.	Свеќичката е неисправна.	Ставете нова, правилно прилагодена свеќичка: видете во ПРИРАЧНИКОТ ЗА МОТОРОТ.
	Зазорот на свеќичката е неправилен.	Поставете го зазорот меѓу електродите на 0,7 до 0,8 mm.
	Елементот на пречистувачот за воздух е валкан.	Исчистете го елементот на пречистувачот за воздух: видете во ПРИРАЧНИКОТ ЗА МОТОРОТ.
Моторот работи лошо во лер.	Елементот на пречистувачот за воздух е валкан.	Исчистете го елементот на пречистувачот за воздух: видете во ПРИРАЧНИКОТ ЗА МОТОРОТ.
	Отворите за воздух на куќиштето на моторот се блокирани.	Отстранете ги нечистотиите од отворите.
	Перките за ладење и каналите за воздух под куќиштето на дувачот на моторот се блокирани.	Исчистете ги перките за ладење и каналите за воздух.
Моторот прескокнува при голема брзина.	Зазорот меѓу електродите на свеќичката е многу мал.	Поставете го зазорот меѓу електродите на 0,7 до 0,8 mm.
Моторот се прегрева.	Протокот на воздухот за ладење е попречен.	Исчистете ги нечистотиите од отворите на куќиштето, куќиштето на дувачот, каналите за воздух.
	Неправилна свеќичка.	За PLM4120N, монтирајте свеќичка RC12YC или QC12YC и перки за ладење на моторот. За PLM4620N, ставете свеќичка RJ19LMC и перки за ладење на моторот.
Моторот вибрира ненормално.	Комплетот за косење е разлабавен.	Прицврстете го сечилото.
	Комплетот за косење е неравнотежен.	Врамнотежете го сечилото.

## 14. ЕКОЛОГИЈА

Ако Вашата машина треба да се замени по долга употреба, не фрлајте ја со домашното губре, туку расходувајте ја на еколошки безбеден начин.

### Само за земјите во Европа

#### Декларација за сообразност за ЕС

#### Маkита изјавува дека следнава машина(и):

Ознака на машината:

Бензинска косилка

Модел бр./ Тип: PLM4120N, PLM4620N

Спецификации: Видете „4. ТЕХНИЧКИ ПОДАТОЦИ“

#### Се усогласени со следниве европски Директиви:

2004/108/ЕС, 2006/42/ЕС, 2000/14/ЕС и 2005/88/ЕС

Тие се произведени во согласност со следниов стандард или стандардизирани документи:

EN ISO 5395-1, EN ISO 5395-2, EN ISO 14982

Техничката датотека во согласност со 2006/42/ЕС е достапна од:

Makita, Jan-Baptist Vinkstraat 2, 3070, Белгија

Постапката за проценка на усогласеноста што се бара со Директивата 2000/14/ЕС беше извршена во согласност со Анекс VI.

Ополномоштен орган:

TÜV SÜD Industrie Service GmbH

Westendstrasse 199, D-80686 München, Германија

Идентификациски број: 0036

PLM4120N

Измерено ниво на јачина на звукот: 93,4 dB

Гарантирано ниво на јачина на звукот: 96 dB

PLM4620N

Измерено ниво на јачина на звукот: 93,6 dB

Гарантирано ниво на јачина на звукот: 96 dB

22.8.2014



Yasushi Fukaya

Директор

Makita, Jan-Baptist Vinkstraat 2, 3070, Белгија

## Explicația vederii generale

- |                              |  |                      |
|------------------------------|--|----------------------|
| 1. Mâner superior            | 7. Manetă de reglare înălțime            | 12. Clemă de cablu   |
| 2. Mâner de control oprire   | 8. Punte                                 | 13. Buton de blocare |
| 3. Manetă de șoc accelerație | 9. Bujie                                 | 14. Turație ridicată |
| 4. Manetă de pornire         | 10. Capac ștuț de umplere cu combustibil | 15. Turație redusă   |
| 5. Ghidaj de cablu           | 11. Capac ulei                           |                      |
| 6. Separator de iarbă        |  |                      |



### AVERTISMENT

Pentru siguranța dumneavoastră, vă rugăm să citiți acest manual înainte de a încerca să utilizați noul dumneavoastră echipament. Nerespectarea instrucțiunilor poate duce la vătămări corporale grave. Acordați-vă câteva momente pentru a vă familiariza cu mașina de tuns iarba înaintea fiecărei utilizări. Păstrați manualul într-un loc sigur, pentru a-l putea consulta în orice moment. Dacă îi împrumutați echipamentul unei alte persoane, înmânați-i acesteia și instrucțiunile de utilizare, și regulile de siguranță.

### Domeniu de utilizare

Echipamentul se va utiliza exclusiv pentru lucrările pentru care a fost conceput. Orice altă utilizare va fi considerată o întrebuintare incorectă. Pagubele materiale sau vătămările corporale rezultate în urma utilizării incorecte vor fi considerate responsabilitatea utilizatorului/ operatorului și nu a producătorului.

Mașina de tuns iarba cu motor pe benzină este destinată utilizării personale, cu alte cuvinte pentru efectuarea lucrărilor în jurul casei și în grădină.

Utilizarea în scop personal a mașinii de tuns iarba se referă la o perioadă de funcționare anuală care nu depășește, în general, 50 de ore, timp în care mașina este utilizată în principal pentru întreținerea la scară redusă a gazonului și grădinilor private/de agrement. Nu sunt incluse în această categorie spațiile verzi publice, terenurile de sport și utilizările în scop agricol/forestier. Rețineți faptul că echipamentul nostru nu este destinat utilizării în scop comercial, profesional sau industrial. Garanția va fi anulată dacă mașina este utilizată în scop comercial, profesional sau industrial ori în scopuri similare.

Instrucțiunile de utilizare, în forma furnizată de către producător, trebuie păstrate și consultate pentru a se garanta utilizarea și întreținerea corecte ale mașinii de tuns iarba. Instrucțiunile conțin informații importante privind condițiile de funcționare, întreținere și reparare. Important! Datorită riscului crescut de vătămare corporală a utilizatorului, mașina de tuns iarba nu se va utiliza pentru toaletarea tufișurilor, gardurilor vii sau a tufelor, tăierea vegetației luxuriante, a suprafețelor cultivate pe acoperișuri sau a ierbii crescute în balcoane, curățarea (aspirarea) murdăriei de pe trotuare sau pentru tăierea ori mărunțirea arborilor sau gardurilor vii. De asemenea, mașina de tuns iarba nu se va utiliza ca sapă electrică pentru nivelarea ridicăturilor de teren, de exemplu a mușuroaielor de cârțiță.

Din motive de siguranță, mașina de tuns iarba nu se va utiliza ca echipament de antrenare pentru alte unelte sau seturi de unelte de orice fel.

## 1. SIMBOLURI MARCATE PE PRODUS (pe capacul spate)



Citiți manualul operatorului.



Instruiți persoanele aflate în zonă să păstreze distanța.



Acordați atenție mâinilor și picioarelor pentru a evita răniurile.



Fumuri toxice; Nu operați în interior.



Combustibilul este inflamabil, feriiți mașina de flăcări deschise. Nu adăugați combustibil în timp ce mașina operează.



La tunderea ierbii, vă rugăm purtați ochelari de protecție și astupătoare de urechi pentru a vă proteja.



La efectuarea reparațiilor, vă rugăm scoateți bujiile și apoi reparați în conformitate cu manualul operatorului.



Atenție: Motor fierbinte.



Eliberați mânerul de comutator pentru a opri motorul.

## 2. REGULI GENERALE DE SIGURANȚĂ



**AVERTISMENT:** La utilizarea uneltelor pe bază de benzină, măsurile de precauție de bază, inclusiv următoarele măsuri, trebuie întotdeauna urmate pentru a reduce riscurile accidentelor grave și/sau defectării unității.

Vă rugăm citiți toate aceste instrucțiuni înainte de operarea acestui produs și păstrați-le pentru referințe viitoare.



**AVERTISMENT:** Această unealtă produce un câmp electromagnetic în timpul operării. În anumite condiții, acest câmp poate intra în interferență cu implanturi medicale active sau pasive. Pentru a reduce riscul accidentelor grave sau fatale, recomandăm ca persoanele cu implanturi medicale să consulte medicul și producătorul implantului medical înainte a opera această unealtă.

### Instruire

- Citiți cu atenție instrucțiunile. Familiarizați-vă cu comenzile și cu utilizarea corectă a echipamentului. Învățați modul de oprire rapidă a motorului.
- Utilizați mașina de tuns iarba doar în scopul pentru care a fost concepută, adică pentru tăierea și colectarea ierbii. Orice altă utilizare poate fi periculoasă, cauzând defectarea mașinii. Exemplele de utilizare incorectă pot include următoarele, fără a se limita doar la acestea:
  - transport de persoane, copii sau animale pe mașină;
  - utilizarea mașinii pentru transport;
  - utilizarea mașinii pentru remorcarea sau împingerea greutăților;
  - utilizarea mașinii pentru colectarea frunzelor sau reziduurilor;
  - utilizarea mașinii pentru tunderea gardurilor vii sau pentru tăierea unor alte tipuri de vegetație decât iarbă;
  - utilizarea mașinii de mai multe persoane;
  - utilizarea lamei pe alte suprafețe decât iarbă.
- Nu permiteți niciodată copiilor sau persoanelor care sunt nefamiliarizate cu aceste instrucțiuni să utilizeze mașina de tuns iarba. Reglementările locale pot restricționa vârsta operatorului.
- Nu utilizați niciodată mașina de tuns iarba:
  - când în apropiere se află alte persoane, în special copii sau animale de companie;
  - dacă operatorul a luat medicamente sau substanțe care îi pot afecta capacitatea de reacție și concentrare.
- Amintiți-vă că utilizatorul este responsabil de accidentele sau situațiile neprevăzute antrenate de utilizarea mâinii, cauzate altor persoane sau bunurilor acestora.
- Este obligatoriu ca operatorii să fie corect instruiți cu privire la utilizarea, reglarea și funcționarea mașinii, inclusiv la operațiunile interzise.

### Pregătire

- În timpul folosirii mâinii, purtați întotdeauna o încălțăminte corespunzătoare (solidă) și pantaloni lungi. Nu folosiți mâna cu picioarele goale sau cu sandale.
- Verificați cu atenție zona în care va fi utilizată mașina și îndepărtați toate obiectele care pot fi expulzate de mașină, de exemplu pietre, jucării, bețe și cabluri.
- **AVERTISMENT-** Benzina este extrem de inflamabilă.
  - depozitați combustibilul în containere special concepute în acest scop;
  - efectuați reumplerea cu combustibil doar în exterior și nu fumați în timpul reumplerii;
  - adăugați combustibil înaintea de pornirea motorului. Nu scoateți niciodată capacul rezervorului de combustibil și nu adăugați benzină în timp ce motorul este pornit sau dacă acesta este fierbinte;
  - dacă benzina este vărsată, nu încercați să porniți motorul și mutați mașina la distanță de zona respectivă, evitând crearea oricăror surse de aprindere până când vaporii de benzină s-au disipat;
  - remontați în mod corect toate capacele containerelor și rezervorului de combustibil.
- Înlocuiți amortizoarele defecte.
- Înainte de utilizare, inspecțiați întotdeauna vizual pentru a verifica dacă lamele, șuruburile de lamă sau ansamblul de cuțite nu sunt uzate sau deteriorate. Înlocuiți toate lamele și uruburile deteriorate sau uzate pentru a menține echilibrarea mâinii.
- Verificați periodic buna funcționare a tuturor dispozitivelor de blocare a pornirii și a manetelor și butoanelor.

### Operare

- Nu operați motorul într-un spațiu închis în care există pericolul colectării unor fumuri toxice de monoxid de carbon.
- Nu utilizați mașina dacă sunteți obosit(ă), bolnav(ă) sau dacă vă aflați sub influența alcoolului sau medicamentelor.
- **Avertisment!** Nu utilizați mașina de tuns iarba în zona cu pericol de aprindere.
- Se recomandă scurtarea duratei de utilizare, pentru reducerea la minimum a pericolelor datorate zgomotului și vibrațiilor.
- Procedați cu grijă atunci când utilizați mașina pe teren înclinat și în apropierea pantelor descendente excesiv de abrupte, șanțurilor sau digurilor.
- Operați mașina doar la lumina zilei sau la o lumină artificială puternică.
- Evitați operarea echipamentului pe iarbă udă, dacă acest lucru este posibil.
- Acordați atenție atunci când vă deplasați pe suprafețe înclinate.
- Nu alergați.
- Pentru mașini rotative cu roți, tundeți iarba de-a lungul pantei, niciodată în sus sau în jos.
- Acordați atenție maximă atunci când schimbați direcția pe curbe.
- Nu tundeți iarba pe o pantă excesiv de abruptă.
- Acordați o atenție maximă atunci când întoarceți sau trageți mașina spre dumneavoastră.
- Fixați bine lama(ele) dacă mâna trebuie înclinată pentru transport, atunci când treceți cu mâna peste



- suprafețe fără iarbă, sau atunci când transportați mașina de tuns la sau de la locul de tuns iarba.
- Nu operați niciodată mâna cu protecțiile defecte, sau fără dispozitivele de siguranță, cum ar fi deflectorul și/sau separatorul de iarbă.
  - Atenție: Este interzisă utilizarea mașinii de tuns iarba fără întregul ansamblu al colectorului de iarbă sau fără protecția orificiului de evacuare cu închidere automată.
  - Nu modificați setările limitatorului de turație și nu suprasolicitați motorul.
  - Nu modificați piesele etanșe pentru controlul turației motorului.
  - Este interzisă modificarea sau dezactivarea sistemelor sau funcțiilor de siguranță ale mașinii de tuns iarba.
  - Decuplați toate lamele și ambreiajele înainte de pornirea motorului.
  - Porniți motorul cu atenție conform instrucțiunilor, cu picioarele la distanță de lamă(e).
  - Nu înclinați mașina de tuns iarba la pornirea motorului.
  - Nu porniți motorul când vă aflați în fața jgheabului de descărcare.
  - Nu apropiați mâinile sau picioarele de componentele rotative. Păstrați permanent distanța față de orificiul de descărcare.
  - Nu ridicați și nu transportați mâna cu motorul în funcțiune.
  - Opriti motorul și deconectați conductorul bujiei, asigurați-vă că toate componentele mobile s-au oprit complet și, dacă este prevăzută o cheie, scoateți cheia:
    - înainte de a elimina blocajele sau a desfunda jgheabul;
    - înainte de a controla, curăța sau lucra cu mâna de tuns iarba;
    - după ce ați lovit cu mâna un obiect străin. Verificați eventualele daune și efectuați reparațiile necesare, înainte de a repune în funcțiune și opera mașina;
    - dacă mașina de tuns iarba începe să vibreze în mod anormal (verificați imediat).
  - Opriti motorul și deconectați conductorul bujiei, asigurați-vă că toate componentele mobile s-au oprit complet și, dacă este prevăzută o cheie, scoateți cheia:
    - de fiecare dată când lăsați mașina de tuns iarba nesupravegheată;
    - înaintea realimentării.
  - Reduceți setarea de accelerație în timpul opririi motorului și, dacă motorul este prevăzută cu un ventil de închidere, opriți alimentarea cu combustibil la încheierea operației de tuns iarba.
  - Utilizați mașina de tuns iarba doar în scopul pentru care a fost concepută, pentru tăierea și colectarea ierbii. Orice altă utilizare poate fi periculoasă, cauzând defectarea mașinii.

### Întreținere și depozitare

- Mențineți uruburile, bolțurile și piulițele strânse, pentru a vă asigura că mâna este în condiții bune de funcționare.

## 4. DATE TEHNICE

Model	PLM4120N	PLM4620N
Tip motor	Seria B&S 500E	Seria B&S 625E
Autopropulsare	Nu	Nu

- Nu depozitați niciodată echipamentul cu benzină în rezervor în interiorul unei clădiri în care fumul pot intra în contact cu scântei sau flăcări deschise.
- Lăsați motorul să se răcească înainte a de depozita mașina într-un spațiu închis; Curățați mașina și efectuați lucrările de întreținere înainte de a o depozita.
- Pentru a reduce pericolul de incendii, păstrați motorul, amortizorul, compartimentul bateriei și zona de depozitare a benzinei libere de iarbă, frunze sau unsoare excesivă.
- Controlați frecvent ca separatorul de iarbă să nu fie deteriorat sau uzat.
- Pentru siguranță, înlocuiți componentele defecte sau uzate.
- În cazul golirii rezervorului de combustibil, această operație trebuie efectuată în exterior.
- Întreținerea incorectă, utilizarea de piese de schimb necorespunzătoare sau demontarea ori modificarea componentelor de siguranță poate cauza defectarea mașinii și vătămarea corporală gravă a operatorului.
- Utilizați exclusiv lamele și piesele de schimb recomandate de producător. Utilizarea altor piese decât cele originale poate duce la defectarea mașinii și vătămarea operatorilor. Păstrați mașina de tuns iarba în bună stare de funcționare.
- Dacă dispozitivul de oprire a cuțitului nu funcționează, adresați-vă centrului de service.

### Transportarea și manipularea

- De fiecare dată când mașina va fi manipulată, ridicată, transportată sau înclinată trebuie:
  - să purtați mănuși de lucru solide;
  - să apucați mașina de punctele care oferă o prindere sigură, ținând cont de greutate și distribuția greutății.
  - să utilizați un număr de persoane adecvat pentru greutatea mașinii și caracteristicile vehiculului sau locului pe care mașina va fi amplasată sau de pe care va fi colectată.
- În timpul transportului, fixați mașina în siguranță cu frângerii și lanțuri.



**AVERTISMENT:** Nu atingeți lama rotativă.



**AVERTISMENT:** Efectuați reumplerea într-o zonă bine ventilată și cu motorul oprit.

## 3. DESCRIEREA COMPONENTELOR (Fig. 1 și 2)

### Inclusiv

- A: Cheie de bujii
- B: Pană de protecție

Model	PLM4120N	PLM4620N
Capacitate cilindrică motor	140 cm <sup>3</sup>	190 cm <sup>3</sup>
Putere nominală	1,9 kW	2,4 kW
Lăţimea lamei	410 mm	460 mm
Turaţie ralanti	2.800/min	2.800/min
Capacitate rezervor carburant	0,8L	1,0L
Capacitate rezervor ulei	0,47L	0,6L
Capacitate sac pentru separarea ierbii	50L	60L
Greutate netă	26,0 kg	31,1 kg
Reglare înălţime	25-70 mm, reglare 5	25-70 mm, reglare 5
Nivel de putere acustică garantat în poziţia operatorului (conform EN ISO 5395-1 anexa F şi EN ISO 5395-2, EN ISO 4871)	84,6dB(A) (K=3dB(A))	83,5dB(A) (K = 3dB(A))
Nivel de putere acustică măsurat	93,4dB(A) K=1,93dB(A)	93,6dB(A) K=2,47dB(A)
Nivel de putere acustică garantat (conform 2000/14/CE)	96dB(A)	96dB(A)
Vibraţii (conform EN ISO 53951 anexa G şi EN ISO 5395-2)	5,27 m/s <sup>2</sup> K=1,5m/s <sup>2</sup>	5,738 m/s <sup>2</sup> K=1,5m/s <sup>2</sup>

## 5. ASAMBLARE

### 5-1 ASAMBLAREA MÂNERULUI PLIABIL

- Fixaţi barele de manevrare inferioare în corpul unităţii cu două seturi de şuruburi, şaibe şi bolţuri de blocare, în modul indicat. (**Fig. 3, Fig. 4, Fig. 5, Fig. 6**)
- Eliberaţi barele de manevrare superioare pentru pliere. Conectaţi mânerul superior şi mânerul inferior cu cele două seturi de şuruburi, şaibe şi bolţuri de blocare. (**Fig. 7, Fig. 8, Fig. 9**)
- Poziţionaţi toate cablurile peste axul mânerului. Prindeţi cablurile în jurul mijlocului mânerului inferior cu ajutorul clemei de cablu, astfel încât cablurile să fie fixate în exteriorul maşinii. În caz contrar, cablurile pot fi prinse în deschiderea/închiderea capacul posterior sau forţate de plierea mânerului superior. (**Fig. 10**)

### 5-2 ASAMBLAREA SEPARATORULUI DE IARBĂ

- Pentru montare: Ridicaţi capacul posterior şi cuplaţi separatorul de iarbă pe arborele din partea din spate a maşinii. (**Fig. 11, Fig. 12**)
- Pentru demontare: Prindeţi şi ridicaţi capacul posterior, scoateţi separatorul de iarbă.

### 5-3 MANETĂ DE PORNIRE

Mutaţi maneta de pornire de la motor spre ghidajul de cablu. (**Fig. 13, Fig. 14**)

### 5-4 ÎNĂLŢIME DE TĂIERE

Aplicaţi o presiune externă pentru a decupla maneta de la rack. Mutaţi maneta înainte sau înapoi pentru a regla înălţimea. (**Fig. 15 şi consultaţi clauza 8-8**)

## 6. REGLARE PENTRU O ÎNĂLŢIME CORESPUNZĂTOARE

- Scoateţi bolţul de blocare cu care aţi fixat mânerul inferior. (**Fig. 16**)
- Consultaţi **Fig. 17**, mutaţi mânerul inferior în sus sau jos, reglaţi-l la înălţimea corespunzătoare. Există 3 înălţimi de reglare care pot fi alese pentru acest tip de maşină de tuns iarba, la înălţimea 1 mânerul inferior are poziţia cea mai ridicată faţă de sol, iar la înălţimea 3 - poziţia cea mai joasă.
- Reglaţi la înălţimea corectă, apoi fixaţi mânerul inferior cu bolţurile de blocare.



**AVERTISMENT:** Partea stângă şi partea dreaptă a mânerului inferior trebuie reglate la aceeaşi înălţime.

## 7. 2 ÎN 1

Aceste maşini de tuns iarba pot fi adaptate pentru alte funcţii pe lângă funcţia lor normală, pe baza scopului de aplicare:

De la maşină de tuns iarba cu descărcare în partea din spate la şi maşină de tuns iarba pentru mulcire.

Ce înseamnă mulcire?

La mulcire, iarba este tăiată într-o etapă de lucru, apoi este mărunţită şi returnată pe gazonul de iarbă ca fertilizator natural.

Indicaţii pentru mulcire:

- Retezare normală la max. 2 cm, de la o înălţime a ierbii de 6 cm la 4 cm.
- Utilizaţi un cuţit de tăiere ascuţit.
- Nu tundeţi iarba udă.
- Setati turaţia maximă a motorului.
- Deplasaţi-vă doar în spaţiul de lucru.

- Curățați în mod regulat pana de mulcire, partea interioară a carcasei și lama de tăiere.

## UNU: Adaptare pentru mașină de tuns iarba pentru mulcire



**AVERTISMENT:** Doar cu motorul oprit și cuțitul staționar.

1. Ridicați capacul posterior și scoateți separatorul de iarbă.
2. Apăsați pana de mulcire în punte. Blocați pana de mulcire cu butonul în deschiderea punții. (Fig. 18, Fig. 19)
3. Coborâți din nou capacul posterior.

## DOI: Tunderea ierbii cu separator de iarbă

1. Pentru tunderea ierbii cu separator de iarbă, demontați pana de mulcire și montați separatorul de iarbă.
  2. Demontarea penei de mulcire.
- Ridicați capacul posterior și demontați pana de mulcire.



**AVERTISMENT:** Doar cu motorul oprit și cuțitul staționar.

## 8. INSTRUCȚIUNI DE OPERARE

### 8-1 ÎNAINTEA PORNIRII

Efectuați operațiunile de service ale motorului cu benzină și ulei, conform instrucțiunilor din manualul de motor separat livrat cu mașina dumneavoastră de tuns iarba. Citiți cu atenție instrucțiunile.



**AVERTISMENT:** Benzina este extrem de inflamabilă.

Depozitați combustibilul în containere special concepute în acest scop.

Efectuați reumplerea cu combustibil doar în exterior, înainte de a porni motorul și nu fumați în timpul realimentării sau manevrării combustibilului.

Nu scoateți niciodată capacul rezervorului de combustibil și nu adăugați benzină în timp ce motorul este pornit sau dacă acesta este fierbinte.

Dacă benzina este vărsată, nu încercați să porniți motorul și mutați mașina la distanță de zona respectivă, evitând crearea oricăror surse de aprindere până când vaporii de benzină s-au disipat.

Remontați în mod corect toate capacele containerelor și rezervorului de combustibil.

Înainte de a răsturna mașina de tuns iarba pentru întreținerea lamei sau evacuarea uleiului, goliți combustibilul din rezervor.



**AVERTISMENT:** Nu umpleți niciodată cu combustibil în interior, cu motorul pornit și lăsați motorul să se răcească cel puțin 15 minute după operare.

## 8-2 PENTRU A PORNII MOTORUL ȘI A CUPLA LAMA

1. Unitatea este prevăzută cu un manșon din cauciuc peste capătul bujeii, asigurați-vă că bucla metalică de pe capătul conductorului bujeii (din interiorul manșonului din cauciuc) este fixată ferm peste vârful de metal al bujeii.
2. Apăsați ventilul de pornire de 3 - 5 ori înainte de a porni motorul. (Fig. 20)
3. Când porniți motorul rece, rotiți maneta de șoc a accelerației la poziția "☁". Când porniți motorul cald și în timpul operării, comutați maneta de șoc a accelerației la poziția "☁". (Fig. 21)
4. Stând în spatele mașinii, apucați maneta de control oprire și mențineți poziția acesteia pe mânerul superior, conform Fig. 22.
5. Apucați maneta de pornire în modul indicat în Fig. 22 și trageți rapid în sus. Readuceți-l uor pe bolțul ghidaajului de cablul după pornirea motorului. Eliberați maneta de control oprire pentru a opri motorul și lama.



Porniți motorul cu atenție conform instrucțiunilor, cu picioarele la distanță de lamă.



Nu înclinați mașina de tuns iarba la pornirea motorului. Porniți mașina de tuns iarba pe o suprafață plană, liberă de iarbă înaltă sau obstacole.



Țineți mâinile și picioarele la distanță de componentele care se rotesc. Nu porniți motorul când vă aflați în fața orificiului de descărcare.

### 8-3 PROCEDURI DE OPERARE

În timpul operării, țineți strâns maneta de control oprire cu ambele mâini.



**Notă:** În timpul operării, când maneta de control oprire este eliberată, motorul se va opri, oprind astfel și operarea mașinii de tuns iarba.



**AVERTISMENT:** Pentru a se evita pornirea accidentală a mașinii, aceasta este prevăzută cu o frână de motor care trebuie trasă spre înapoi înainte de a porni motorul. După ce este eliberată, maneta de control al motorului trebuie să revină în poziția inițială, moment în care motorul se oprește automat.



**Notă:** Frâna de motor (maneta de frână): Acționați maneta pentru a opri motorul. În momentul eliberării manetei, motorul și cuțitul se opresc automat. Pentru a efectua operațiunea de tăiere a ierbii, țineți maneta în poziția de lucru. Înainte de a începe operațiunea de tăiere, verificați de câteva ori maneta de pornire/oprire pentru a vă asigura că acestea funcționează corect. Verificați funcționarea cu ușurință a cablului de întindere (acesta nu trebuie să se prindă sau să se răsucescă).

## 8-4 PENTRU A OPRI MOTORUL



**ATENȚIE:** Lama continuă să se rotească timp de câteva secunde după oprirea motorului.

1. Eliberați maneta de control oprire pentru a opri motorul și lama.
2. Deconectați și legați la masă conductorul bujiei conform instrucțiunilor din manualul separat de motor, pentru a preveni pornirea accidentală când echipamentul este lăsat nesupravegheat.

## 8-5 PENTRU OBTINEREA UNOR REZULTATE CÂT MAI BUNE LA TUNDEREA IERBII

Eliberați gazonul de reziduuri. Asigurați-vă că gazonul este liber de pietre, bețe, sârme sau alte obiecte străine care pot fi proiectate accidental de mașina de tuns iarba în orice direcție provocând răni operatorului și altor persoane din apropiere, precum și aducând daune proprietății și obiectelor din jur. Nu tăiați iarba udă. Pentru o tundere a ierbii cât mai eficientă, nu tăiați iarba udă, deoarece aceasta are tendința de a se lipi de partea inferioară a punții, împiedicând tunderea corectă a ierbii tăiate. Tăiați iarba pe cel mult 1/3 din lungime.

Tăierea recomandată pentru tundere este de 1/3 din lungimea ierbii. Viteza de deplasare va trebui reglată astfel încât bucățile de iarba tăiată să poate fi distribuite uniform pe gazon. În special pentru tăieri dificile în iarba deasă, poate fi necesară utilizarea celei mai reduse turajii, pentru a obține o tundere corectă și curată. La tunderea ierbii înalte este posibil să fie necesară tunderea peluzei în două ture, coborând lama cu încă 1/3 din lungime pentru cea de-a doua tăiere, precum și tăierea cu un model diferit de cel utilizat la prima tăiere.

Suprapunerea unei tăieri cu fiecare trecere va ajuta, de asemenea, la curățarea oricăror bucăți de iarba rămase pe gazon. Mașina de tuns iarba trebuie întotdeauna operată la accelerație maximă pentru a obține cea mai bună tăiere și pentru a permite o operație de tundere cât mai eficientă. Curățați partea inferioară a punții.

Asigurați-vă că ați curățat partea inferioară a punții după fiecare utilizare pentru a evita acumularea ierbii, care ar putea împiedica o mulcire corespunzătoare.

Tunderea frunzelor: Tunderea frunzelor poate fi, de asemenea, benefică pentru gazonul dumneavoastră. La tunderea frunzelor, asigurați-vă că acestea sunt uscate și nu formează un strat prea gros pe gazon. Nu așteptați căderea tuturor frunzelor din copaci înainte de tundere.



**AVERTISMENT:** Dacă loviți un obiect străin, opriți motorul. Îndepărtați conductorul de la bujie, verificați cu atenție mașina de tuns iarba pentru a identifica orice eventuale defecțiuni și remediați-le înainte de a reporni și opera mașina. Vibrațiile excesive ale mașinii de tuns iarba în timpul operării reprezintă o indicație a unui defect. Unitatea trebuie verificată și operată imediat.

## 8-6 SEPARATOR DE IARBĂ

Goliți și curățați sacul, asigurându-vă că acesta este curat și că plasa este ventilată. (Fig. 23)

## 8-7 PUNTE

Partea inferioară a punții mașinii de tuns iarba trebuie curățată după fiecare utilizare pentru a preveni acumularea ierbii tăiate, frunzelor, mizeriei și a altor materii străine. În cazul acumulărilor de reziduuri, acestea vor duce la rugină și coroziune, împiedicând mulcirea corectă. Puntea poate fi curățată prin înclinarea mașinii de tuns iarba și răzuirea cu un instrument adecvat (asigurați-vă că ați deconectat conductorul bujiei).

## 8-8 INSTRUCȚIUNI DE REGLARE A ÎNĂLȚIMII



**ATENȚIE:** Nu încercați niciodată să efectuați reglaje ale mașinii de tuns iarba fără a opri mai întâi motorul și a deconecta conductorul bujiei.



**ATENȚIE:** Înaintea modificării înălțimii de tăiere, opriți mașina de tuns iarba și deconectați cablul bujiei. Mașina dumneavoastră de tuns iarba este prevăzută cu o pârghie centrală de reglare a înălțimii, oferind 5 poziții de înălțime.

1. Opriți mașina de tuns iarba și deconectați cablul bujiei înainte de a modifica înălțimea de tăiere a mașinii.
2. Pârghia centrală de reglare a înălțimii vă oferă 5 poziții diferite de înălțime.
3. Pentru a modifica înălțimea de tăiere, strângeți maneta de reglare spre roată, mutând în sus sau în jos la înălțimea selectată (Fig. 24). Toate roțile vor avea aceeași înălțime de tăiere.

## 9. INSTRUCȚIUNI DE ÎNTREȚINERE

### BUJIE

Utilizați doar bujii de rezervă originale. Pentru cele mai bune rezultate, înlocuiți bujia la fiecare 100 de ore de utilizare. (consultați MANUALUL PROPRIETARULUI MOTORULUI)

### PLĂCUȚELE DE FRÂNĂ

Verificați și/sau înlocuiți periodic plăcuțele de frână la un atelier de service și utilizați numai piese de schimb originale.

## 10. INSTRUCȚIUNI DE LUBRIFIERE



**ATENȚIE:** DECONECTAȚI BUJIA ÎNAINTE DE EFECTUAREA SERVICE-ULUI.

1. ROȚI - Lubrifiați rulmenții din fiecare roată cel puțin o dată pe sezon, cu ulei ușor.
2. MOTOR - Consultați manualul motorului pentru instrucțiuni de lubrifiere.
3. CONTROL OPRIRE - Lubrifiați punctele de pivotare de pe maneta de control oprire și cablul său cel puțin o dată pe sezon, cu ulei ușor. Controlul de oprire trebuie să opereze liber în ambele direcții.

# 11. CURĂȚAREA



**ATENȚIE:** Nu stropiți cu apă motorul. Apa poate duce la defectarea motorului sau poate contamina sistemul de combustibil.

1. Ștergeți puntea cu o cârpă uscată.
2. Stropiți cu apă partea de sub punte ridicând mașina de tuns iarba astfel încât bujia să fie sus.

## 11-1 FILTRU DE AER MOTOR



**ATENȚIE:** Nu permiteți acumularea mizerii sau prafului în elementul de spumă al filtrului de aer.

Elementul filtrului de aer al motorului trebuie curățat după fiecare 25 de ore de operare normală. Elementul de spumă trebuie întreținut în mod regulat dacă mașina de tuns iarba este folosită în condiții uscate, cu mult praf. (consultați MANUALUL PROPRIETARULUI MOTORULUI)

### Pentru a CURĂȚA FILTRUL DE AER

1. Pentru PLM4120N: Ridicați lamelele de pe partea de sus a capacului de filtru.  
Pentru PLM4620N: Demontați șurubul.
2. Scoateți capacul.
3. Spălați elementul de filtru în apă cu săpun. **NU FOLOSIȚI BENZINĂ!**
4. Lăsați elementul de filtru să se usuce la aer.
5. Aplicați câteva picături de ulei SAE30 pe filtrul cu spumă și strângeți ferm pentru a elimina uleiul în exces.
6. Remontați filtrul.
7. Închideți capacul filtrului.



**NOTĂ:** Înlocuiți filtrul dacă acesta este uzat, rupt, deteriorat sau nu mai poate fi curățat. (Fig. 25 pentru PLM4120N)

## 11-2 LAMA DE TĂIERE



**ATENȚIE:** Asigurați-vă că ați deconectat și legat la masă conductorul bujiei înainte de a lucra pe lama de tăiere, pentru a preveni pornirea accidentală a motorului. Protejați-vă mâinile utilizând mănuși groase sau o cârpă pentru a apuca lamele de tăiere.

Înclinați mașina de tuns iarba în modul specificat în manualul separat al motorului. Demontați șurubul hexagonal și șaiba care fixează lama și adaptorul de lamă la arborele cotit al motorului. Demontați lama și adaptorul de la arborele cotit.



**AVERTISMENT:** Inspectați periodic adaptorul de lamă pentru identificarea eventualelor fisuri, în special dacă ați lovit un obiect străin. Înlocuiți dacă este necesar. Pentru cele mai bune rezultate, lama trebuie să fie ascuțită. Lama trebuie ascuțită din nou, prin demontarea ei și fie prin șlefuire, fie prin pilire a marginii de tăiere,

încercând să păstrați oblicitatea originală. Este extrem de important ca fiecare margine de tăiere să fie șlefuită în mod egal pentru a evita o lamă dezechilibrată. O lamă neechilibrată va duce la vibrații excesive, cauzând defectarea motorului și a mașinii de tuns iarba. Asigurați-vă că echilibrați cu atenție lama după ascuțire. Echilibrul lamei poate fi testat prin echilibrarea balansarea acesteia pe o șurubelniță de arbore rotundă. Șlefuiți partea mai grea până la o balansare perfectă. (Fig. 26) Înainte de reasamblarea lamei și a adaptorului de lamă pe unitate, lubrifiați arborele cotit al motorului și suprafața interioară a adaptorului de lamă cu ulei ușor. Montați adaptorul de lamă pe arborele cotit. Consultați Fig. 26. Amplasați lama cu numărul de piesă în partea opusă adaptorului. Aliniați șaiba peste lamă și introduceți șurubul hexagonal. Strângeți șurubul hexagonal la cuplul listat mai jos.

## 11-3 CUPLU DE MONTARE LAMĂ

Șurubul central trebuie strâns la un cuplu de 35 - 45 Nm. Pentru a garanta operarea în siguranță a unității dumneavoastră. TOATE piulițele și șuruburile trebuie verificate periodic pentru a fi strânse corect. După o utilizare prelungită, în special în condiții de sol nisipos, lama se va uza și își va pierde din forma originală. Eficiența tăierii se va reduce, iar lama va trebui înlocuită. Înlocuiți doar cu o lamă de schimb aprobată de producător. Posibilele daune rezultate din neechilibrarea lamei nu intră în responsabilitatea producătorului. Când schimbați lama, trebuie să utilizați tipul original marcat pe lamă (MAKITA 263001433 pentru PLM4120N; MAKITA 263001451 pentru PLM4620N) (pentru a comanda lama, vă rugăm să contactați distribuitorul local sau societatea noastră).



**AVERTISMENT:** Nu atingeți lama rotativă.

## 11-4 MOTOR

Consultați manualul separat al motorului pentru instrucțiuni de întreținere a motorului.

Întrețineți uleiul de motor conform instrucțiunilor din manualul separat al motorului furnizat cu unitatea dumneavoastră.

Citiți cu atenție și respectați instrucțiunile.

Efectuați service-ul filtrului de aer conform instrucțiunilor din manualul separat al motorului, în condiții de lucru normale. Efectuați curățarea la fiecare câteva ore de operare în condiții cu mult praf. O operare necorespunzătoare a motorului și încăierea acestuia indică faptul că trebuie executat service-ul filtrului de aer. Pentru service-ul filtrului de aer, consultați manualul separat al motorului furnizat cu unitatea dumneavoastră. Bujia trebuie curățată, iar spațiul între electrozi resetat o dată pe sezon. Înlocuirea bujiei este recomandată la începutul fiecărui sezon de tăiere a ierburilor; verificați manualul motorului pentru tipul corect de bujie și specificațiile de spațiu între electrozi.

Curățați motorul în mod regulat cu o cârpă sau o perie.

Păstrați curat sistemul de răcire (zona carcasei ventilatorului) pentru a permite o circulație corectă a aerului, esențială pentru durata de viață și operarea motorului. Asigurați-vă că ați îndepărtat reziduurile de iarbă, mizerie și combustibil din zona tobei de echipament.

## 12. INSTRUCȚIUNI DE DEPOZITARE (ÎN AFARA SEZONULUI)

Trebuie urmate etapele de mai jos pentru a pregăti mașina de tuns iarba pentru depozitare.

- Goliți rezervorul după ultima tundere a ierburilor din sezonul respectiv.
  - Goliți rezervorul de combustibil cu o pompă de aspirație.

**ATENȚIE:** Nu goliți benzina în încăperi închise, în apropierea unei flăcări deschise etc. Nu fumați! Vaporii de benzină pot cauza explozii sau incendii.

- Porniți motorul și lăsați-l să funcționeze până la consumarea întregii cantități de benzină rămase și până la blocare.
  - Demontați bujia. Utilizați un bidon de ulei pentru a turna aprox. 20 ml de ulei în camera de combustie. Acționați demarorul pentru a distribui uniform uleiul în camera de combustie. Remontați bujia.
- Curățați și ungeți cu atenție mașina de tuns iarba conform descrierii din secțiunea „INSTRUCȚIUNI DE LUBRIFIERE” de mai sus.
  - Ungeți ușor cuțitul pentru a evita coroziunea.
  - Depozitați mașina de tuns iarba într-un loc uscat, curat, protejat împotriva înghețului, ferit de accesul persoanelor neautorizate.



**ATENȚIE:** Motorul trebuie să se fi răcit complet înainte de depozitarea mașinii de tuns iarba.



### NOTĂ:

La depozitarea oricărui tip de echipament de alimentare într-o zonă de depozitare a materialelor sau o zonă neventilată;

- Trebuie să luați toate măsurile pentru a proteja echipamentul împotriva ruginii. Utilizând un ulei ușor sau silicon, acoperiți cu un strat echipamentul, în special cablurile și toate componentele mobile.
- Acordați atenție pentru a nu îndoi sau răsuca cablurile.
- În cazul în care cablul demarorului se deconectează de ghidajul de cablu de pe manetă, deconectați și legați la masă conductorul bujiei. Apăsăți maneta de control lamă și trageți ușor cablul de demaror din motor. Introduceți cablul demarorului în bolțul ghidajului de cablu de pe manetă.

## Transportarea

Opriti motorul și lăsați-l să se răcească. Scoateți fișa bujiei și goliți rezervorul de combustibil conform instrucțiunilor din manualul aferent motorului. Aveți grijă să nu îndoiți și să nu deteriorați cuțitul atunci când treceți mașina de tuns iarba peste obstacole.

## 13. DEPANARE

PROBLEMĂ	CAUZĂ PROBABILĂ	AȚIUNE DE REMEDIERE
Motorul nu pornește.	Maneta de șoc a accelerației nu se află în poziția corectă pentru condițiile date.	Mutați maneta de șoc a accelerației în poziția corectă.
	Rezervorul de combustibil este gol.	Umpleți rezervorul cu combustibil: consultați MANUALUL PROPRIETARULUI MOTORULUI.
	Elementul filtrului de aer este uscat.	Curățați elementul filtrului de aer: consultați MANUALUL PROPRIETARULUI MOTORULUI.
	Bujia nu este strânsă suficient.	Strângeți bujia la 25 - 30 Nm.
	Conductorul bujiei este slăbit sau deconectat de la bujie.	Montați conductorul la bujie.
	Spațiul bujiei este incorect.	Stabiliți spațiul între electrozi la 0,7 - 0,8 mm.
	Bujia este defectă.	Instalați o bujie nouă, cu spații corecte între electrozi: consultați MANUALUL PROPRIETARULUI MOTORULUI.
	Carburatorul este inundat cu combustibil.	Demontați elementul filtrului de aer și trageți continuu cablul demarorului până când carburatorul se curăță, apoi instalați elementul filtrului de aer.
Motorul pornește greu sau pierde putere.	Modul de aprindere defect.	Contactați centrul de service autorizat Makita.
	Mizeri, apă sau rezervorul de combustibil înfundat.	Evacuați combustibilul și curățați rezervorul. Umpleți rezervorul cu combustibil proaspăt, curat.
	Orificiul de aerisire din capacul rezervorului de combustibil este înfundat.	Curățați sau înlocuiți capacul rezervorului de combustibil.
	Elementul filtrului de aer este murdar.	Curățați elementul filtrului de aer.

PROBLEMĂ	CAUZĂ PROBABILĂ	AȚIUNE DE REMEDIERE
Motorul operează neregulat.	Bujia este defectă.	Instalați o bujie nouă, cu spații corecte între electrozi: consultați MANUALUL PROPRIETARULUI MOTORULUI.
	Spațiul bujiei este incorect.	Stabiliți spațiul între electrozi la 0,7 - 0,8 mm.
	Elementul filtrului de aer este uscat.	Curățați elementul filtrului de aer: consultați MANUALUL PROPRIETARULUI MOTORULUI.
Ralantiul motorului este incorect.	Elementul filtrului de aer este murdar.	Curățați elementul filtrului de aer: consultați MANUALUL PROPRIETARULUI MOTORULUI.
	Orificiile de aer din carcasa motorului sunt blocate.	Eliminați reziduurile din fante.
	Căile de aer și nervurile de răcire de sub carcasa ventilatorului motorului sunt blocate.	Îndepărtați reziduurile din căile de aer și nervurile de răcire.
Motorul prezintă rateuri la turație ridicată.	Spațiul dintre electrozii bujiei este prea mic.	Stabiliți spațiul între electrozi la 0,7 - 0,8 mm.
Motorul se supraîncălzește.	Curentul de aer de răcire este obstrucționat.	Îndepărtați reziduurile din sloturile carcasei, din carcasa ventilatorului și din căile de aer.
	Bujie incorectă.	Pentru PLM4120N, montați bujia RC12YC sau QC12YC și aripioarele de răcire pe motor. Pentru PLM4620N, montați nervurile de răcire și bujia RJ19LMC pe motor.
Mașina de tuns iarba vibrează anormal.	Ansamblul de tăiere nu este strâns suficient.	Strângeți lama.
	Ansamblul de tăiere nu este echilibrat.	Echilibrați lama.

## 14. MEDIU

În cazul în care mașina dumneavoastră necesită înlocuire după o utilizare extinsă, vă rugăm nu o depuneți la gunoii menajer, ci respectând reglementările de protecție a mediului înconjurător.

### Numai pentru țările europene Declarație de conformitate CE

**Makita declară că următoarea mașină/următoarele mașini:**

Denumirea utilajului:

Mașină de tuns iarba pe bază de benzină

Nr. model/Tip: PLM4120N, PLM4620N

Specificații: Consultați "4. DATE TEHNICE"

sunt produse de serie și

**sunt în conformitate cu următoarele Directive**

**Europene:**

2004/108/CE, 2006/42/CE, 2000/14/CE și 2005/88/CE

Declarăm că este/sunt fabricat(e) în conformitate cu următoarele standarde sau documente standardizate:

EN ISO 5395-1, EN ISO 5395-2, EN ISO 14982

Fișierul tehnic conform 2006/42/CE poate fi obținut de la:

Makita, Jan-Baptist Vinkstraat 2, 3070, Belgia

Procedura de evaluare a conformității cerută de Directiva 2000/14/CE s-a efectuat în conformitate cu anexa VI.

Organism notificat:

TÜV SÜD Industrie Service GmbH

Westendstrasse 199, D-80686 München, Germania

Număr de identificare: 0036

PLM4120N

Nivel putere acustică măsurată: 93,4 dB

Nivel putere acustică garantată: 96 dB

PLM4620N

Nivel putere acustică măsurată: 93,6 dB

Nivel putere acustică garantată: 96 dB

22.8.2014



Yasushi Fukaya

Director

Makita, Jan-Baptist Vinkstraat 2, 3070, Belgia



**Објашњење општег приказа**

- |                               |                                     |                                 |
|-------------------------------|-------------------------------------|---------------------------------|
| 1. Горња ручка                | 6. Врећа за прихват траве           | 11. Поклопац резервоара за угље |
| 2. Ручка контроле заустављања | 7. Полуга за подешавање висине реза | 12. Стезаљка кабла              |
| 3. Полуга гаса                | 8. Оплата                           | 13. Точкић за блокирање         |
| 4. Ручка покретача            | 9. Свећица                          | 14. Велика брзина               |
| 5. Вођица сајле               | 10. Поклопац резервоара за гориво   | 15. Мала брзина                 |



**УПОЗОРЕЊЕ**

Ради личне безбедности прочитајте овај приручник пре него што употребите нову машину. Ако не пратите упутства може доћи до озбиљних повреда. Пре сваке употребе одвојите време да бисте упознали своју косилицу. Чувајте ово упутство како би вам увек било на располагању. Уколико некоме позајмите машину, свакако им дајте и ово упутство и прописе о безбедности.

**Намена**

Ова машина се сме користити само у сврху за коју је предвиђена. Било каква друга употреба се сматра злоупотребом. Одговорност за било какву штету или нанесене повреде услед оваквог коришћења сносиће корисник/оператер, а не произвођач. Бензинска косилица за траву је намењена за приватну тј. за кућну и баштенску употребу.

Под приватном употребом косилице подразумева се употреба која не прелази период од 50 сати годишње, током кога се машина првенствено користи за одржавање мањих травњака у резиденцијалним срединама и кућних и хоби вртова. Одржавање јавних средина, спортских терена и пољопривредних/пошумљених области је искључено из ове намене. Молимо вас да обратите пажњу да наша опрема није дизајнирана да се користи у комерцијалне, занатске или индустријске сврхе. Наша гаранција је неважећа уколико се машина користи у комерцијалне, занатске, индустријске и њима сличне сврхе.

Упутства за руковање која је обезбедио произвођач морају се поштовати како бисте били сигурни да се косилица за траву исправно користи и одржава. Упутства садрже важне информације о условима коришћења, одржавања и оправке.

Важно! Због великог ризика од телесних повреда корисника косилица за траву се не сме користити за поткресивање жбуња, живица или грмља, за сечење пузавица, траве гајене на крововима и балконима, за чишћење (извлачење) земље и отпадака са стаза, нити за комадање одрезака са дрвећа и живица.

Поред тога, косилица се не сме користити као мотокултиватор у сврху равнања терена попут кртичњака.

Из безбедносних разлога, косилица се не сме користити као мотор за друге машине и апарате било које врсте.

**1. СИМБОЛИ ОЗНАЧЕНИ НА ПРОИЗВОДУ (на полеђини)**



Прочитајте приручник за оператера.



Удаљите околне особе.



Да бисте избегли повреде посебну пажњу посветите положају руку и стопала оператера.



Отровна испарења; Немојте да користите у кући.



Гориво је запаљиво, држите се подаље од ватре. Немојте да додајете гориво док машина ради.



Док косите, носите заштитне наочаре и чепове за уши да бисте се заштитили.



Током поправке извучите свећицу, а затим је поправите према приручнику са упутствима.



Пажња: Врео мотор.



За заустављање мотора отпустите окидач.



## 2. ПРАВИЛА ОПШТЕ БЕЗБЕДНОСТИ



**УПОЗОРЕЊЕ:** Када се користе алатке са бензинским мотором, да би се смањила опасност од озбиљних личних повреда и/или оштећења јединице увек се треба придржавати основних безбедносних предострожности, укључујући и следеће. Пре коришћења производа прочитајте сва ова упутства и сачувајте ова упутства да бисте их убудуће користили као референцу.



**УПОЗОРЕЊЕ:** Ова машина током рада производи електромагнетно поље. У неким околностима ово поље може да утиче на активне и пасивне медицинске импланте. Да би се смањила опасност од озбиљних и фаталних повреда, препоручујемо особама са медицинским имплантима да се обратe свом лекару и произвођачу медицинског импланта пре употребе ове машине.

### Обука

- Пажљиво прочитајте упутства. Упознајте се са контролама и правилном употребом опреме. Сазнајте на који начин да брзо зауставите мотор.
- Користите косилицу за траву у сврху за коју је пројектована, односно за резање и прикупљање траве. Свака друга примена може да буде ризична и да доведе до оштећења машине. Примери непрописног коришћења могу да обухвате, без ограничења:
  - превоз људи, деце или животиња на машини;
  - вожњу на машини;
  - коришћење машине за вучу или гурање терета;
  - коришћење машине за сакупљање лишћа или отпадака;
  - коришћење машине за поткресивање живе оградe или резање друге вегетације осим траве;
  - коришћење машине од стране више од једне особе;
  - коришћење ножа на површинама које нису треванате;
- Никада немојте дозволити да косилицу користе деца и особе које нису упознате са овим упутствима. Локални прописи могу да ограниче старосну доб оператора.
- Никада немојте да користите косилицу за траву:
  - кад су људи, а посебно деца, или кућни љубимци у близини.
  - ако је рукавалац узео лек или супстанце које могу да утичу на његову способност реаговања и концентрације.
- Имајте на уму да је оператор или корисник одговоран за несреће или опасности које се догоде осталим људима или њиховој имовини.
- Корисници морају проћи прописану обуку за коришћење, подешавање и функционисање машине, укључујући и недозвољене радње.

### Припрема

- Током кошења увек носите чврсту обућу и дуге панталоне. Немојте да користите опрему када сте босоноги или носите отворене сандале.
- Темељно проверите област у којој ће се користити опрема и уклоните све предмете попут камења, играчака, прућа и жица које машина може да одбаци.
- УПОЗОРЕЊЕ - Бензин је јако запаљив.
  - ускладиштите гориво у контејнерима који су наменски пројектовани за ту сврху;
  - допуну горива вршите само на отвореном простору и немојте да пушите током допуне;
  - допуните гориво пре покретања мотора. Никада немојте да уклањате поклопац резервоара за гориво или да додајете гориво док мотор ради или када је мотор топао;
  - ако се гориво проспе, немојте покушавати да покренете мотор, већ удаљите машину од места просипања и избегавајте да створите било какав извор паљења док бензин испарава;
  - вратите на место и притегните све поклопце на резервоару за гориво и на контејнерима.
- Замените неисправне пригушиваче.
- Пре употребе, увек извршите визуелни преглед да бисте видели да ли су ножеви, завртњи за ножеве и склоп за резање истрошени или оштећени. Замените истрошене или оштећене ножеве и завртње у сетовима да бисте очували равнотежу.
- Редовно проверавајте да ли све стартне спојнице и контроле присутности корисника правилно функционишу.

### Рад

- Немојте да радите машином у ограниченом простору у коме могу да се накупе опасна испарења угљен-моноксида.
- Немојте користити машину ако сте уморни, болесни или под утицајем алкохола или других опијата.
- Упозорене! Немојте користити косилицу када постоји опасност од удара грома.
- Препоручује се ограничена употреба како би се избегли ризици од буке и вибрација.
- Будите пажљиви када користите косилицу на низбрдицама, у близини литица, канала или насипа.
- Косите само дању или при добром вештачком светлу.
- Избегавајте рад на влажној трави, где је то изводљиво.
- Увек водите рачуна о положају ногу на косинама.
- Корачајте, немојте да трчите.
- Ротационим машинама на точковима косите дуж косине, никада узбрдо или низбрдо.
- Посебно посветите пажњу при промени смера на косинама.
- Немојте да косите веома нагнуто косине.
- Посебно пажљиво поступајте када косилицу окрећете од или повлачите према себи.
- Зауставите нож(еве) ако косилица мора да се нагне због транспорта када прелази преко површина које нису прекривене травом, и када транспортујете косилицу до или са површине коју треба косити.

- Никада немојте да користите косилицу са неисправним штитницима, или без постављених заштитних уређаја, као што су дефлектори и/или посуде за прихват траве.
- Пажња: Немојте користити косилицу за траву уколико цела посуда за прихват траве или самозатварајући штитник отвора канала за пражњење нису на месту.
- Немојте да мењате поставке управљача мотора или реоптерећујете мотор.
- Немојте мењати нити подешавати запечаћена подешавања на контролама брзине рада мотора.
- Безбедносни системи и подешавања косилице за траву се не смеју мењати нити искључивати.
- Одвојите све ножеве и спојке за вожњу пре покретања мотора.
- Пажљиво покрените мотор у складу са упутствима и са стопалима довољно удаљеним од ножа(ножева).
- Немојте да нагињете косилицу када покрећете мотор.
- Немојте да покрећете мотор када стојите испред канала за пражњење.
- Немојте да стављате руке или стопала близу или испод ротирајућих делова. Обезбедите да отвор за пражњење увек буде чист.
- Никада немојте да подижете или преносите косилицу док мотор ради.
- Зауоставите мотор и скините кабл са свећице, уверите се да су сви покретни делови потпуно зауоставили, а тамо где постоји кључ уклоните кључ:
  - пре чишћења или отчепљивања канала;
  - пре провере, чишћења или рада на косилице;
  - након удара у страни предмет. Проверите да ли постоји оштећење косилице и извршите поправку пре поновног покретања и коришћења косилице;
  - ако косилица почне ненормално да вибрира (одмах проверите).
- Зауоставите мотор и скините кабл са свећице, уверите се да су сви покретни делови потпуно зауоставили, а тамо где постоји кључ уклоните кључ:
  - увек када се удаљавате од косилице;
  - пре допуне горива.
- Смањите поставку гаса током искључивања мотора, а ако је мотор опремљен вентилом за искључивање, прекините довод горива на крају кошења.
- Косилицу користите само у сврху за коју је пројектована, за резање и прикупљање траве. Било која друга употреба може да буде опасна и да изазове оштећење машине.
- Да бисте смањили опасност од пожара, уклоните траву, лишће или маст са мотора, пригушивача, одељка за батерије и из простора за складиштење бензина.
- Учестало проверавајте да ли је врећа за прихват траве истрошена или дотрајала.
- Замените истрошене или оштећене делове ради безбедности.
- Ако мора да се испразни резервоар за гориво, то треба урадити на отвореном простору.
- Неправилно одржавање, коришћење непрописаних делова и уклањање или модификовање безбедносних делова могу оштетити косилицу и довести до озбиљних повреда корисника.
- Користите само оне ножеве и резервне делове које је препоручио произвођач. Употреба неоригиналних делова може оштетити машину и повредити кориснике. Одржавајте косилицу у добром радном стању.
- Уколико направа за заустављање ножева не ради, контактирајте кориснички центар.

### Транспорт и руковање

- Кад год је потребно руковати машином, подићи је или транспортовати морате:
  - носити робусне радне рукавице;
  - ухватити машину на местима која обезбеђују безбедно хватање, водећи рачуна о тежини и њеној дистрибуцији;
  - користити одговарајући број људи сходно тежини машине и карактеристикама возила или места на коме ће она бити постављена или преузета.
- Током транспорта добро причврстите машину конопцима или ланцима.



**УПОЗОРЕЊЕ:** Немојте да додирујете ротирајући нож.



**УПОЗОРЕЊЕ:** Допуну горива вршите у добро проветреном простору са искљученим мотором.

### 3. ОПИС ДЕЛОВА (слика 1 и 2)

#### Укључује

А: Кључ за свећицу

Б: Додатак за малчирање

### Одржавање и складиштење

- Чврсто притегните све завртње и матице да бисте били сигурни да је опрема у безбедном радном стању.
- Никада немојте да ускладиштите опрему са бензином у резервоару унутар зграде у којој испарења могу доћи у додир са отвореним пламеном или варницом.
- Сачекајте да се мотор охлади пре складиштења у затвореном простору; чистите и одржавајте косилицу пре складиштења.

## 4. ТЕХНИЧКИ ПОДАЦИ

Модел	PLM4120N	PLM4620N
Тип мотора	B&S 500E Серија	B&S 625E Серија
Самоходни	Не	Не
Радна запремина мотора	140 cm <sup>3</sup>	190 cm <sup>3</sup>
Номинална снага	1,9 kW	2,4 kW
Ширина ножа	410 mm	460 mm
Брзина у празном ходу	2.800/min	2.800/min
Запремина резервоара за гориво	0,8L	1,0L
Запремина резервоара за уље	0,47L	0,6L
Запремина вреће за прихват траве	50L	60L
Нето тежина	26,0 kg	31,1 kg
Подешавање висине	25-70 mm, 5-струко подешавање	25-70 mm, 5-струко подешавање
Гарантована висина буке на корисничком месту (у складу са EN ISO 5395-1 Annex F и EN ISO 5395-2, EN ISO 4871)	84,6dB(A) (K=3dB(A))	83,5dB(A) (K = 3dB(A))
Измерена висина буке	93,4dB(A) K=1,93dB(A)	93,6dB(A) K=2,47dB(A)
Гарантована висина буке (у складу са 2000/14/E3)	96dB(A)	96dB(A)
Вибрација (у складу са EN ISO 5395-1 Annex G и EN ISO 5395-2)	5,27 m/s <sup>2</sup> K=1,5 m/s <sup>2</sup>	5,738 m/s <sup>2</sup> K=1,5 m/s <sup>2</sup>

## 5. МОНТАЖА

### 5-1 МОНТАЖА ПРЕКЛОПНЕ РУЧКЕ

- A) Причврстите доње шипкасте ручке у тело јединице помоћу два сета завртања, подлошке и точкића за блокирање, као што је показано. (слика 3, слика 4, слика 5, слика 6)
- B) Ослободите горње шипкасте ручке за преклапање. Повежите горњу ручку и доњу ручку помоћу два сета завртања, подлошке и точкића за блокирање. (слика 7, слика 8, слика 9)
- C) Поставите све каблове преко осовина ручке. Стегните их око средине доњих ручки стезаљкама за кабл тако да каблови буду причвршћени на спољној страни машине. У супротном, каблови могу бити пригњечени при отварању задњег поклопаца или приморани да се савијају преклапањем горње ручке. (слика 10)

### 5-2 МОНТАЖА ВРЕЋЕ ЗА ПРИХВАТ ТРАВЕ

1. Постављање: Подигните задњи поклопац и окачите врећу за прихват траве на осовину на задњој страни косилице. (слика 11, слика 12)
2. Уклањање: Ухватите и подигните задњи поклопац, уклоните врећу за прихват траве.

### 5-3 РУЧКА ПОКРЕТАЧА

Померите ручку покретача од мотора ка вођици сајле. (слика 13, слика 14)

### 5-4 ВИСИНА РЕЗАЊА

Примените притисак ка споља да бисте ослободили полуку из зупчанице. Померите полуку унапред или уназад да бисте подесили висину. (слика 15; видети и одељак 8-8)

## 6. ПОДЕШАВАЊЕ ОДГОВАРАЈУЋЕ ВИСИНЕ

- 1) Повуците уназад точкић за блокаду који фиксира доњу ручку. (слика 16)
- 2) Према слика 17, померите доњу ручку нагоре или надоле, подесите је на исправну висину. Постоји три положаја за подешавање висине на овом типу косилице; на 1. висини доња ручка је највиша у односу на земљу, а на 3. висини је најнижа.
- 3) Подесите исправну висину, а затим учврстите доњу ручку помоћу точкића за блокаду.



**УПОЗОРЕЊЕ:** Лева и десна страна доње ручке морају да буду подешене на исту висину.

## 7. 2 у 1

Ове косилице могу бити додатно опремљене у односу на нормалну функцију, у зависности од сврхе примене: косилица са прањњем на задњем крају постаје косилица за малчирање. Шта је малчирање?

Приликом малчирања трава се коси у једном радном кораку, а затим се фино уситњава и враћа на травњак као природно ђубриво.

Савети за малчирање:

- Редовно смањење висине траве за макс. 2 cm са 6 cm на 4 cm.
- Користите оштар нож за сечење.
- Немојте да косите влажну траву.
- Подесите макс. брзину мотора.
- Крећите се искључиво брзином корака.
- Редовно чистите додатак за малчирање, унутрашњу страну кућишта и нож за кошење.

## ЈЕДАН: Додатно опремање косилице за малчирање



**УПОЗОРЕЊЕ:** Само са заустављеним мотором и непокретним ножем.

1. Подигните задњи поклопац и уклоните врећу за прихват траве.
2. Гурните додатак за малчирање у оплату. Забравите додатак за малчирање помоћу дугмета у отвору на оплати. (слика 18, слика 19)
3. Спустите задњи поклопац.

## ДВА: Кошење са врећом за прихват траве

1. За кошење са врећом за прихват траве уклоните додатак за малчирање и монтирајте врећу за прихват траве.
  2. Уклањање додатка за малчирање.
- Подигните задњи поклопац и уклоните додатак за малчирање.



**УПОЗОРЕЊЕ:** Само са заустављеним мотором и непокретним ножем.

## 8. УПУТСТВА ЗА РАД

### 8-1 ПРЕ ПОКРЕТАЊА

Сервисирајте мотор бензином и уљем као што је указано у посебном приручнику за мотор, који је налази у паковању са вашом косилицом. Пажљиво прочитајте упутства.



**УПОЗОРЕЊЕ:** Бензин је јако запаљив. Ускладиштите гориво у контејнерима који су наменски пројектовани за ту сврху.

Допуну горива вршите искључиво на отвореном простору, пре покретања мотора и немојте да пушите током додавања и руковања горивом.

Никада немојте да уклањате поклопац резервоара за гориво или да додајете гориво док мотор ради или када је мотор топао.

Ако се гориво проспе, немојте покушавати да покренете мотор, већ удаљите машину од места просипања и избегавајте да створите било какав извор паљења док бензин испарава.

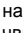

Вратите на место и притегните све поклопце на резервоару за гориво и на контејнерима.

Пре накретања косилице ради одржавања ножа или пражњења уља, уклоните гориво из резервоара.



**УПОЗОРЕЊЕ:** Никада немојте да пуните резервоар за гориво у затвореном простору, при покренутом мотору или док се мотор хлади током најмање 15 минута након рада.

### 8-2 ПОКРЕТАЊЕ МОТОРА И АКТИВИРАЊЕ НОЖА

1. Јединица је опремљена гуменом навлаком преко врха свећице, проверите да ли је метална контакт на крају кабла за свећицу (унутар гумене навлаке) чврсто притегнут око металног врха на свећици.
2. Притисните ручну пумпу 3-5 пута пре покретања мотора. (слика 20)
3. Када покрећете хладан мотор полугу гаса пребаците у положај „“. Када покрећете топао мотор и радите полугу гаса пребаците у положај „“. (слика 21)
4. Стојећи иза јединице, ухватите ручку за контролу заустављања и држите је ка горњој ручки као што је приказано на слика 22.
5. Ухватите ручку покретача као што је приказано на слика 22 и брзо је повуците. Полако је вратите ка вођици сајле након покретања мотора. Отпустите ручку за контролу заустављања да бисте зауставили мотор и нож.



Пажљиво покрените мотор у складу са упутствима и са стопалима довољно удаљеним од ножа.



Немојте да нагињете косилицу када покрећете мотор. Косилицу покрећите на равnoj површини без високе траве или препрека.



Руке и стопала држите на одстојању од ротирајућих делова. Немојте да покрећете мотор када стојите испред канала за пражњење.

### 8-3 РАДНЕ ПРОЦЕДУРЕ

Током рада чврсто држите ручку за контролу заустављања са обе руке.



**Напомена:** Током рада, када се отпусти ручка за контролу заустављања, мотор ће се зауставити и тако зауставити рад косилице.



**УПОЗОРЕЊЕ:** Како би се избегло нехотично паљење мотора, косилица је опремљена кочницом мотора која се мора повући да би мотор могао да се покрене. Када се полуга контроле мотора отпусти мора се вратити у почетни положај, након чега се мотор аутоматски гаси.



**Напомена:** Кочница мотора (ручка кочнице): Да бисте зауставили мотор користите ручку, Када

пустите ручку, мотор и ножеви ће се аутоматски зауставити. При кошењу држите ручку у положају за рад. Пре почетка косидбе, проверите ручку за покретање/заустављање неколико пута како бисте били сигурни да исправно ради. Проверите да ли тензиони кабл може исправно да се користи (тј. да се не заглављује нити прескаче).

## 8-4 ЗАУСТАВЉАЊЕ МОТОРА



**ПАЖЊА:** Нож наставља да ротира још неколико секунди након искључивања мотора.

1. Отпустите ручку за контролу заустављања да бисте зауставили мотор и нож.
2. Искључите и уземљите кабл за свећицу као што је указано у посебном приручнику за мотор да бисте спречили нехотично покретање док опрема није под надзором.

## 8-5 ЗА НАЈБОЉЕ РЕЗУЛТАТЕ ПРИ КОШЕЊУ

Очистите отпатке са травњака. Уверите се да на травњаку нема камења, грана, жица или страних предмета који могу да буду нехотично одбачени косилицом у разним смеровима и да изазову озбиљне личне повреде оператера и осталих, као и оштећење имовине и околних објеката. Немојте да косите влажну траву. Ради ефикасног кошења немојте да режете влажну траву јер се она лепи за унутрашњу страну оплате и спречава правилно кошење траве. Немојте да косите више од 1/3 дужине траве.

Препоручено резање при кошењу је 1/3 дужине траве. Брзину треба прилагођавати тако да исечци могу да буду подједнако расподељени по травњаку. За посебно тешка резања дебеле траве може да буде неопходна употреба једне од најмањих брзина да би се постигао чист, добро покосен рез. Када косите високу траву можда ћете морати да режете у два пролаза, спуштајући нож за додатну 1/3 висине за друго резање и режући на другачији начин од онога који сте користили први пут.

Мало преклапање резова при сваком пролазу такође помаже да се добију чисти и прави исечци на травњаку. Косилица треба увек да ради пуном брзином да би се добио најбољи рез и да би јој се омогућио најефикаснији рад при кошењу. Очистите унутрашњу страну оплате.

Очистите унутрашњу страну оплате после сваке употребе да бисте избегли нагомиланање траве, која може да спречи правилно малчирање.

Кошење лишћа: И кошење лишћа може да буде корисно за ваш травњак. Када косите лишће уверите се да је оно суво и да не лежи у дебелом слоју на травњаку. Немојте да чекате да сво лишће отпадне са грана пре него што почнете да косите.



**УПОЗОРЕЊЕ:** Ако ударите страни предмет, зауставите мотор. Уклоните кабл са свећице, пажљиво испитајте да ли постоји оштећење косилице и поправите оштећење пре поновног покретања и рада са косилицом. Велике вибрације косилице током рада

у индикација оштећења. Јединицу треба одмах прегледати и поправити.

## 8-6 ВРЕЋА ЗА ПРИХВАТ ТРАВЕ

Испразните и очистите врећу, проверите да ли је чиста и обезбедите да њен мрежаста део буде пропустан. (слика 23)

## 8-7 ОПЛАТА

Унутрашња страна оплате косилице треба да буде очишћена након сваке употребе да би се спречило нагомиланање исечака траве, лишћа, земље и осталих материја. Ако се дозволи да се ови отпацци нагомилāju, они ће покренути рђу и корозију, и могу да спрече правилно малчирање. Оплата може да се чисти нагињањем косилице и стругањем помоћу одговарајућег алата (уверите се да је скинут кабл са свећице).

## 8-8 УПУТСТВА ЗА ПОДЕШАВАЊЕ ВИСИНЕ



**ПАЖЊА:** Никада немојте да вршите било какво подешавање косилице без претходног заустављања мотора и уклањања кабла са свећице.



**ПАЖЊА:** Пре промене висине кошења, зауставите косилицу и скините кабл са свећице. Ваша косилица је опремљена централном полугом за подешавање висине која нуди 5 положаја висине.

1. Зауставите косилицу и скините кабл са свећице пре промене висине резања косилицом.
2. Централна полуга за подешавање висине нуди вам 5 различитих положаја висине.
3. Да бисте променили висину резања, потисните полугу за подешавање ка точку, померајући је нагоре или надолу да бисте изабрали висину (слика 24). Сви точкови биће на истој висини резања.

## 9. УПУТСТВА ЗА ОДРЖАВАЊЕ

### СВЕЋИЦА

Користите само оригиналне заменске свећице. За најбоље резултате, замените свећицу након сваких 100 сати употребе. (погледајте КОРИСНИЧКИ ПРИРУЧНИК ЗА МОТОР)

### КОЧНЕ ПЛОЧИЦЕ

Редовно проверавајте и/или мењајте кочне плочице код овлашћеног сервисера, само оригинални делови се могу користити за замену.

## 10. УПУТСТВА ЗА ПОДМАЗИВАЊЕ



**ПАЖЊА:** СКИНИТЕ КАБЛ СА СВЕЋИЦЕ ПРЕ СЕРВИСИРАЊА.

1. ТОЧКОВИ-Подмажите лаким уљем кугличне лежачеве на сваком точку најмање једном у току сезоне.
2. МОТОР-Придржавајте се упутстава за подмазивање из приручника за мотор.
3. КОНТРОЛА ЗАУСТАВЉАЊА-Подмажите лаким уљем ослоне тачке на ручки контроле заустављања и њен кабл најмање једном у току сезоне. Контрола заустављања мора да глатко ради у оба смера.

## 11. ЧИШЋЕЊЕ



**ПАЖЊА:** Немојте да перете мотор водом из црева. Вода може да оштети мотор или да загади систем за гориво.

1. Пребришите оплату сувом крпом.
2. Водом из црева перите испод оплате нагињући косилицу тако да свећица буде горе.

### 11-1 УЛОЖАК ЗА ФИЛТЕР ВАЗДУХА МОТОРА



**ПАЖЊА:** Немојте да дозволите да земља и прашина зачепе пенасти елемент филтера за ваздух.

Уложак филтера за ваздух мотора мора да се сервисира (чисти) након 25 сати нормалног кошења. Пенасти елемент мора да се редовно сервисира ако се косилица користи при сувим прашњавим условима. (погледајте КОРИСНИЧКИ ПРИРУЧНИК ЗА МОТОР)

### ЧИШЋЕЊЕ ФИЛТЕР ЗА ВАЗДУХ

1. За PLM4120N: Подигните утврђиваче на врху поклопаца филтера.  
За PLM4620N: Уклоните завртње.
2. Уклоните поклопац.
3. Оперите уложак филтера водом са сапуницом.  
**НЕМОЈТЕ ДА КОРИСТИТЕ БЕНЗИН!**
4. осушите на ваздуху уложак филтера.
5. Ставите неколико капи уља SAE30 на уложак филтера и чврсто стисните да бисте уклонили вишак уља.
6. Поново поставите филтер.
7. Затворите поклопац филтера.



**НАПОМЕНА:** Замените филтер ако је похабан, поцепан, оштећен или ако не може да се очисти. (слика 25 за PLM4120N)

### 11-2 НОЖ ЗА РЕЗАЊЕ



**ПАЖЊА:** Проверите да ли сте скинули и уземљили кабл за свећицу пре рада са ножем за резање да бисте спречили нехотично покретање мотора. Заштитите руке чврстим рукавицама или крпом да бисте ухватили ножеве за резање. Нагните косилицу као што је наведено у посебном приручнику за мотор. Уклоните шестоугаоне завртње

и подлошке који држе нож и адаптер ножа за погонско вратило мотора. Уклоните нож и адаптер са погонског вратила.



**УПОЗОРЕЊЕ:** Периодично проверите да ли на адаптеру ножа постоје пукотине, а поготово ако ударите страни предмет. Замените га ако је неопходно.

За најбоље резултате ваш нож треба да буде оштар. Нож можете да поново наоштрите тако што ћете га уклонити и његову резну ивицу или стругати или турпијати под нагибом који што приближнији оригиналном. Веома је важно да свака резна ивица буде подједнако остругана како би се спречила појава неуравнотеженог ножа. Неправилна равнотежа ножа довешће до појачаних вибрација које проузрокују оштећење мотора и косилице. Водите рачуна да пажљиво уравнотежите нож након оштрења. Равнотежа ножа може да се испита балансирањем на одвијачу са округлом осовином. Уклањајте метал са теже стране све док не буде уравнотежен. (слика 26) Пре поновне монтаже ножа и адаптера ножа на јединицу, подмажите погонско вратило мотора и унутрашњу површину адаптера ножа лаким уљем. Монтирајте адаптер ножа на погонско вратило. Погледајте (слика 26). Поставите нож тако да број дела буде окренут од адаптера. Поравнајте подлошку изнад ножа и убаците шестоугаони завртањ. Притегните шестоугаони завртањ обртним моментом који ниже наведен.

### 11-3 ОБРТНИ МОМЕНТ ЗА МОНТАЖУ НОЖА

Централни завртањ мора да буде притегнут обртним моментом од 35 - 45 Nm. Да би се обезбедио безбедан рад ваш је јединице. Периодично мора да се провери да ли су СВИ завртњи и матице правилно притегнуте. Након продужене употребе, а посебно на песковитом тлу, нож ће се истрошити и делимично изгубити оригиналан облик. Ефикасност резања биће смањена и зато нож треба заменити.

Замените га искључиво резервним ножем који је одобрила фабрика. Могуће оштећење изазвано неуравнотеженим ножем није одговорност произвођача.

Када мењате нож, морате да користите оригиналан тип означен на ножу. (МАКИТА 263001433 за PLM4120N; МАКИТА 263001451 за PLM4620N) (да бисте наручили нож обратите се свом локалном продавцу или позовите нашу компанију).



**УПОЗОРЕЊЕ:** Немојте да додирујете ротирајући нож.

### 11-4 МОТОР

Упутства за одржавање мотора потражите у посебном приручнику за мотор.

Уље у мотору одржавајте као што је наведено у посебном приручнику за мотор који је налази у паковању са вашом косилицом.

Пажљиво прочитајте и придржавајте се упутстава.

При нормалним околностима сервисирајте пречистач ваздуха у складу са посебним приручником за мотор. Очистите га након сваких неколико сати при веома прашњавим условима. Слабе перформансе мотора и вишак горива у карбуратору обично указују да треба сервисирати пречистач ваздуха.

Како да сервисирате пречистач ваздуха, потражите у посебном приручнику за мотор који је налази у паковању са вашом косилицом.

Једном у току сезоне треба очистити свећицу и подесити зазор између њених електрода. Замена свећице се препоручује на почетку сваке сезоне кошења; тип свећице и спецификације зазора потражите у приручнику за мотор.

Редовно чистите мотор крпом или четком. Одржавајте систем за хлађење (област кућишта вентилатора) чистим да бисте омогућили правилно струјање ваздуха које је суштински важно за перформансе и радни век мотора. Уверите се да сте уклонили сву траву, земљу или запаљиве отпатке из области пригушивача.

## 12. УПУТСТВА ЗА СКЛАДИШТЕЊЕ (ВАН СЕЗОНЕ)

Да бисте припремили косилицу за складиштење треба да следите следеће кораке.

1. Испразните резервоар након последњег кошења у сезони.
  - а) Испразните резервоар за бензин усисном пумпом.



**ПАЖЊА:** Немојте истакати бензин у затвореној просторији, у близини отвореног пламена итд. Забрањено пушење! Бензинска испарења могу изазвати експлозију или пожар.

## 13. РЕШАВАЊЕ ПРОБЛЕМА

ПРОБЛЕМ	МОГУЋИ УЗРОК	КОРЕКТИВНА АКЦИЈА
Мотор се не покреће.	Полуга гаса није у правилном положају за преовлађујуће услове.	Померите полугу гаса у правилан положај.
	Резервоар за гориво је празан.	Напуните резервоар горивом: погледајте КОРИСНИЧКИ ПРИРУЧНИК ЗА МОТОР.
	Уложак филтера за ваздух је прљав.	Очистите уложак филтера за ваздух: погледајте КОРИСНИЧКИ ПРИРУЧНИК ЗА МОТОР.
	Свећица је лабава.	Притегните свећицу на 25 - 30 Nm.
	Кабл на свећици је лабав или је спао са свећице.	Поставите кабл за свећицу на свећицу.
	Зазор свећице је неправилан.	Подесите зазор између електрода на 0,7 до 0,8 mm.
	Свећица је неисправна.	Инсталирајте нову свећицу са правилним зазором: погледајте КОРИСНИЧКИ ПРИРУЧНИК ЗА МОТОР.
	У карбуратору има превише горива.	Уклоните уложак филтера за ваздух и повлачите сајлу за покретање све док се карбуратор не очисти, а затим поставите уложак филтера за ваздух.
Неисправан модул за паљење.	Контактирајте овлашћени сервис компаније Makita.	

б) Покрените мотор и пустите га да ради док не потроши сав преостали бензин и заустави се.

с) Уклоните свећицу. Употребите конзерву са уљем да налијете отпр. 20 ml уља у комору за сагоревање. Активирајте starter да равномерно распоредите уље у комори за сагоревање. Замните свећицу.

2. Очистите и подмажите косилицу као што је описано у „УПУТСТВО ЗА ПОДМАЗИВАЊЕ“.
3. Мало подмажите склоп за сечење да не кородира.
4. Складиштите косилицу на сувом, чистом месту, заштићеном од мраза, ван домаћаја неовлашћених лица.



**ПАЖЊА:** Мотор се мора потпуно охладити пре складиштења косилице.



### НАПОМЕНА:

Када ускладиштите било који тип опреме на електрични погон у непроветреној остави или остави за материјал;

- Треба водити рачуна да се опрема заштити од рђе. Нанесите на опрему, а посебно на каблове и све покретне делове, лако уље или силикон.
- Водите рачуна да не савијете или уврнете каблове.
- Ако сајла покретача прекине из вођице сајле на ручки, искључите и уземљите кабл за свећицу, отпустите ручку за контролу ножа и полако извуците сајлу покретача из мотора. Убаците сајлу покретача у вођицу сајле на ручки.

### Превоз

Искључите мотор и пустите га да се охлади. Потом скините кабл за свећицу и испразните резервоар пратећи упутства у приручнику за мотор. Пазите да не савијете или оштетите секач када косилицу гурате преко препрека.



ПРОБЛЕМ	МОГУЋИ УЗРОК	КОРЕКТИВНА АКЦИЈА
Мотор се тешко покреће или губи снагу.	Прљавштина, вода или загушење у резервоару за гориво.	Испразните гориво и очистите резервоар. Напуните резервоар чистим, свежим горивом.
	Зацепљен је отвор за вентилацију на резервоару за гориво.	Очистите или замените поклопац резервоара за гориво.
	Уложак филтера за ваздух је прљав.	Очистите уложак филтера за ваздух.
Мотор ради чудно.	Свећица је неисправна.	Инсталирајте нову свећицу са правилним зазором: погледајте КОРИСНИЧКИ ПРИРУЧНИК ЗА МОТОР.
	Зазор свећице је неправилан.	Подесите зазор између електрода на 0,7 до 0,8 mm.
	Уложак филтера за ваздух је прљав.	Очистите уложак филтера за ваздух: погледајте КОРИСНИЧКИ ПРИРУЧНИК ЗА МОТОР.
Мотор ради лоше у празном ходу.	Уложак филтера за ваздух је прљав.	Очистите уложак филтера за ваздух: погледајте КОРИСНИЧКИ ПРИРУЧНИК ЗА МОТОР.
	Прорези за ваздух на кућишту мотора су блокирани.	Уклоните отпатке са прореза.
	Блокиране су лопатице за хлађење и пролази за ваздух испод кућишта вентилатора мотора.	Уклоните отпатке са ребара хладњака и из пролаза за ваздух.
Мотор прескаче при великим брзинама.	Зазор између електрода свећице је премали.	Подесите зазор између електрода на 0,7 до 0,8 mm.
Мотор се прегрева.	Ограничен је проток ваздуха за хлађење.	Уклоните све отпатке из прореза на кућишту, кућишта вентилатора, пролаза за ваздух.
	Неисправна свећица.	За модел PLM4120N, инсталирајте на мотор свећице RC12YC или QC12YC и хладњак. За модел PLM4620N, инсталирајте на мотор свећице RJ19LMC и хладњак.
Косилица ненормално вибрира.	Склоп за кошење је лабав.	Притегните нож.
	Склоп за кошење је неуравнотежен.	Уравнотежите нож.

## 14. ЖИВОТНА ОКОЛИНА

Ако ваша машина захтева замену након продужене употребе, немојте да је одложите са обичним смећем, већ је одложите у складу са начелима заштите животне околине.

### Само за европске земље

#### ЕЗ Декларација о усклађености

#### Makita изјављује да се следећи уређај:

Ознака машине:

Бензинска косилица за траву

Број модела/ Тип: PLM4120N, PLM4620N

Спецификација: видети одељак „4. ТЕХНИЧКИ ПОДАЦИ“

#### У складу са следећим Европским директивама:

2004/108/EЗ, 2006/42/EЗ, 2000/14/EЗ и 2005/88/EЗ

Произведен је у складу са следећим стандардом или стандардизованим документима:

EN ISO 5395-1, EN ISO 5395-2, EN ISO 14982

Техничка евиденција у складу са 2006/42/EЗ је доступно од:

Makita, Jan-Baptist Vinkstraat 2, 3070, Белгија

Процедура оцене усклађености коју захтева

Директива 2000/14/EЗ била је у складу са додатком VI.

Нотификовано тело:

TÜV SÜD Industrie Service GmbH

Westendstrasse 199, D-80686 München, Немачка

Идентификациони број: 0036

PLM4120N

Измерени ниво снаге звука: 93,4 dB

Гарантовани ниво снаге звука: 96 dB

PLM4620N

Измерени ниво снаге звука: 93,6 dB

Гарантовани ниво снаге звука: 96 dB

22.8.2014



Yasushi Fukaya

директор

Makita, Jan-Baptist Vinkstraat 2, 3070, Белгија



## Пояснения к общему виду

- |                                      |                             |                         |
|--------------------------------------|-----------------------------|-------------------------|
| 1. Верхняя рукоятка                  | 5. Направляющая для троса   | 11. Крышка маслобака    |
| 2. Рукоятка управления остановом     | 6. Бункер для сбора травы   | 12. Кабельный зажим     |
| 3. Рычаг воздушной заслонки дросселя | 7. Рычаг регулировки высоты | 13. Рукоятка блокировки |
| 4. Рукоятка стартера                 | 8. Основание                | 14. Высокая скорость    |
|                                      | 9. Свеча зажигания          | 15. Малая скорость      |
|                                      | 10. Крышка топливного бака  |                         |



### ПРЕДОСТЕРЕЖЕНИЕ:

Для Вашей безопасности, пожалуйста, прочитайте эту инструкцию перед началом работы с Вашим новым устройством. Несоблюдение указаний может привести к серьезным травмам. Потратьте некоторое время, чтобы ознакомиться с газонокосилкой перед каждым использованием. Держите эту инструкцию в надежном месте, чтобы информация была всегда доступна. Если Вы даете оборудование другим лицам, также передавайте инструкцию по эксплуатации и правила техники безопасности.

### Предполагаемое использование

Оборудование можно использовать только для таких задач, для которых оно разработано. Любое другое использование считается случаем неправильного использования. Пользователь/оператор, а не производитель, будет нести ответственность за повреждение и травмы любого типа, вызванные такими действиями.

Бензогозокосилка предназначена для личного использования, т.е. для использования на домашних и приусадебных участках.

Частное использование газонокосилки означает, что ежегодное время работы в общем случае не превышает 50 часов, в течение которых устройство главным образом используется для ухода за небольшими газонами около жилых домов, а также для приусадебных/любительских садовых участков. В их число не входят общественные территории, спортивные сооружения и сельскохозяйственные/лесные угодья.

Пожалуйста, обратите внимание, что Ваше оборудование не предназначено для коммерческого, профессионального или промышленного применения. Гарантия будет отозвана, если оборудование используется для коммерческой, профессиональной или промышленной деятельности, а также для подобных целей.

Инструкцию по эксплуатации, прилагаемую производителем, необходимо сохранить и обращаться к ней, чтобы быть уверенным в правильном использовании и техническом обслуживании газонокосилки. В инструкции содержится важная информация об условиях работы, технического обслуживания и ремонта.

Важно! Важно! Из-за высокого риска получения пользователем травм тела, газонокосилку нельзя использовать для обрезки кустов, живых изгородей или кустарника, для стрижки висящей растительности, растений на крышах или балконной травы, для очистки (всасывания) загрязнений и обрезков на

дорожках, а также для измельчения обрезков деревьев или кустарников. Кроме того, газонокосилку нельзя использовать в качестве активного культиватора для выравнивания возвышающихся участков, например, кротовых гнезд.

Для обеспечения безопасности газонокосилку нельзя использовать в качестве привода для других рабочих инструментов или устройств любого типа.

## 1. СИМВОЛЫ, УКАЗАННЫЕ НА ИЗДЕЛИИ (на задней крышке)



Прочтите Руководство по эксплуатации.



Не допускайте посторонних к месту работ.



Чтобы избежать травм, оператор должен обращать особое внимание на руки и ноги.



Токсичные пары; не эксплуатируйте в помещении.



Топливо легко воспламеняется, не подносите к нему огонь. Не доливайте топливо на работающей машине.



Во время обработки газона используйте защитные очки и предохранительные наушники.



Во время ремонта извлеките свечу зажигания и затем выполните ремонт в соответствии с руководством по эксплуатации.



Предупреждение: Двигатель горячий.



Отпустите ручку с выключателем, чтобы выключить мотор.

## 2. ОБЩИЕ ПРАВИЛА ТЕХНИКИ БЕЗОПАСНОСТИ



**ПРЕДОСТЕРЕЖЕНИЕ:** При использовании бензиновых инструментов соблюдайте основные правила техники безопасности, включая перечисленные ниже, чтобы снизить риск получения тяжелых травм и/или повреждения устройства. Прочтите все инструкции до начала эксплуатации изделия и сохраните их для последующего использования.



**ПРЕДОСТЕРЕЖЕНИЕ:** Во время работы данное устройство создает электромагнитное поле. В некоторых случаях это поле может создавать помехи для активных или пассивных медицинских имплантатов. Чтобы уменьшить риск тяжелой или смертельной травмы, перед началом эксплуатации устройства людям с медицинскими имплантатами рекомендуется проконсультироваться с врачом и производителем имплантата.

### Обучение

- Внимательно прочитайте инструкции. Ознакомьтесь со всеми органами управления и правилами правильной эксплуатации изделия. Советы по быстрому останову двигателя.
- Используйте газонокосилку только по назначению, для стрижки и подбора травы. Любые другие способы применения могут быть опасными и привести к повреждению машины. Примеры ненадлежащего использования включают, но не ограничиваются следующими способами:
  - перевозка людей, детей или животных на устройстве;
  - транспортировка устройства на машине;
  - использование устройства для буксировки или толкания грузов;
  - использование устройства для сбора листьев или мусора;
  - использование устройства для стрижки кустарника или резки растительности, отличной от травы;
  - использование устройства несколькими людьми;
  - использование ножа на поверхностях, отличных от травы.
- Не разрешайте детям и лицам, не знакомым с данными инструкциями, пользоваться газонокосилкой. В местном законодательстве могут существовать возрастные ограничения для операторов;

- Запрещается использовать газонокосилку в следующих случаях:
  - если поблизости находятся люди (в особенности дети) или животные.
  - если оператор принимал медицинские препараты или вещества, которые могут повлиять на его реакцию и концентрацию.
- Помните, что оператор/пользователь несет ответственность за происшествия и опасные ситуации с другими людьми или их собственностью.
- Оператор должен пройти соответствующее обучение по использованию, настройке и управлению инструментом, включая запрещенные операции.

### Подготовка

- На время стрижки газона обязательно надевайте прочную обувь и длинные брюки. Не пользуйтесь оборудованием босиком или в открытых сандалиях.
- Тщательно проверьте участок, где должно будет использоваться устройство, и уберите все предметы, например, камни, игрушки, палки и проволоку, которые могут отбрасываться инструментом.
- ПРЕДОСТЕРЕЖЕНИЕ - Бензин легко воспламеняется.**
  - храните топливо в предназначенных для этого канистрах;
  - заправляйте бак только вне помещения, не курите во время заправки;
  - доливайте топливо до запуска двигателя. Запрещается снимать крышку топливного бака или доливать бензин при работающем двигателе или если двигатель горячий;
  - если бензин был пролит, не запускайте двигатель; передвиньте газонокосилку в сторону от места разлива и не создавайте каких-либо источников искр до испарения бензина;
  - надежно закрывайте крышки топливного бака и канистры.
- Замените неисправные глушители.
- Перед использованием обязательно осмотрите лезвия, болты крепления лезвий и режущий узел на предмет износа и повреждений. Заменяйте изношенные или поврежденные лезвия и болты комплектами, чтобы не допустить нарушения балансировки.
- Регулярно проверяйте правильность функционирования всех фиксаторов запуска и систем присутствия оператора.

### Эксплуатация

- Не включайте двигатель в ограниченном пространстве, где возможно скопление опасных паров угарного газа.
- Не используйте инструмент, если Вы устали, болеете или находитесь под воздействием алкоголя или лекарственных препаратов.
- Предостережение! Не используйте газонокосилку, если есть вероятность молнии.
- Рекомендуется ограничивать длительность работы, чтобы минимизировать опасность воздействия шумов и вибрации.

- Будьте внимательны при использовании газонокосилки на откосах, а также вблизи склонов, рвов или насыпей.
- Стрижку газонов выполняйте только в дневное время или при хорошем искусственном освещении.
- По возможности не используйте оборудование на мокрой траве.
- Соблюдайте осторожность на склонах.
- Передвигайтесь шагом, не бегайте.
- При использовании колесных ротационных машин стрижку склонов выполняйте только поперек, но ни в коем случае не вверх и не вниз по склону.
- Соблюдайте особую осторожность, меняя направление движения на склонах.
- Не выполняйте стрижку чересчур крутых склонов.
- Соблюдайте особую осторожность при движении задним ходом или подтягивая газонокосилку к себе.
- Обязательно выключайте лезвие, если газонокосилку необходимо наклонить для транспортировки по поверхности, отличной от травы, либо при транспортировке газонокосилки к месту эксплуатации и обратно.
- Запрещается эксплуатировать газонокосилку с неисправными ограждениями или без защитных приспособлений, например, дефлекторов или бункера для сбора травы.
- Предупреждение: Газонокосилку нельзя использовать без прикрепленного бункера для сбора травы или самозакрывающегося кожуха разгрузочного отверстия.
- Не меняйте настройки регулятора оборотов двигателя и не эксплуатируйте двигатель слишком долго.
- Не изменяйте и не вмешивайтесь в работу зафиксированных регуляторов управления скоростью двигателя.
- Запрещается вмешиваться в работу систем или функции безопасности газонокосилки, а также отключать их.
- Перед запуском двигателя отсоедините все лезвия и муфты привода.
- Включайте двигатель осторожно, в соответствии с инструкциями, ноги при этом должны находиться как можно дальше от лезвий.
- При запуске двигателя не наклоняйте газонокосилку.
- Не включайте двигатель, стоя перед разгрузочным желобом.
- Не помещайте руки или ноги под вращающиеся детали или вблизи них. В любой ситуации не становитесь перед разгрузочным отверстием.
- Не поднимайте и не переносите газонокосилку с работающим двигателем.
- Выключите двигатель и отсоедините провод свечи зажигания, убедитесь, что все движущиеся части полностью остановились, если вставлен ключ - извлеките его:
  - перед устранением засоров и удалением предметов, закупоривших желоб;
  - перед проверкой, очисткой или обслуживанием газонокосилки;
  - после удара о посторонний предмет. Осмотрите газонокосилку на предмет повреждений и
    - устраните неисправность, прежде чем включать и эксплуатировать газонокосилку;
  - Если началась ненормальная вибрация газонокосилки (немедленно проверьте!).
- Выключите двигатель и отсоедините провод свечи зажигания, убедитесь, что все движущиеся части полностью остановились, если вставлен ключ - извлеките его:
  - оставляя газонокосилку без присмотра;
  - перед заправкой.
- При выключении двигателя уменьшите степень открытия дроссельной заслонки; если двигатель оснащен отсечным клапаном, по окончании стрижки газона выключите подачу топлива.
- Используйте газонокосилку только по назначению, для стрижки и подбора травы. Любые другие способы применения могут быть опасными, привести к повреждению машины.

## Обслуживание и хранение

- Все гайки, болты и винты должны быть надежно затянуты - это обеспечит безопасность и работоспособность.
- Не храните оборудование с бензином в баке в помещениях, где пары могут достичь открытого огня или искр.
- Дайте двигателю охладиться перед тем, как убирать его в закрытое место; Очистите газонокосилку и выполните техническое обслуживание перед хранением.
- Чтобы уменьшить опасность пожара, храните двигатель, глушитель, отделение для батареи и бензин вдали от мест с травой, листьями или вблизи с большим количеством смазки.
- Периодически проверяйте бункер для сбора травы на предмет износа и снижения эксплуатационных качеств.
- Чтобы обеспечить безопасность, заменяйте изношенные и поврежденные детали.
- Если требуется слить топливо из бака, это следует делать вне помещения.
- Неправильное техническое обслуживание, использование неподходящих запасных частей, а также удаление или модификация компонентов, отвечающих за безопасность, может повредить газонокосилку и привести к серьезным травмам оператора.
- Используйте только рекомендованные производителем лезвия и запасные части. Использование неоригинальных частей может повредить и инструмент и привести к травмам оператора. Содержите газонокосилку в хорошем рабочем состоянии.
- Если устройство остановки лезвия не работает, пожалуйста, обратитесь за помощью в центр технического обслуживания.

## Транспортировка и использование

- В случаях, когда устройство используется, поднимается, перемещается или наклоняется необходимо:
  - надевать прочные рабочие перчатки;

- держать устройство таким образом, чтобы обеспечить безопасный захват с учетом массы устройства и ее распределения;
  - количество помощников должно соответствовать массе устройства и характеристикам автомобиля или места, куда перемещается или откуда забирается устройство.
- Во время транспортировки надежно закрепите устройство тросами или цепями.



**ПРЕДОСТЕРЕЖЕНИЕ:** Не прикасайтесь к вращающемуся лезвию.



**ПРЕДОСТЕРЕЖЕНИЕ:** Выполняйте заправку только в хорошо проветриваемом помещении при остановленном двигателе.

### 3. ОПИСАНИЕ ДЕТАЛЕЙ (Рис. 1 и 2)

**Включая:**

А: Ключ для свечи зажигания

В: Клин для мульчирования

## 4. ТЕХНИЧЕСКИЕ ДАННЫЕ

Модель	PLM4120N	PLM4620N
Тип двигателя	Серия V&S 500E	Серия V&S 625E
Самоходная	Нет	Нет
Рабочий объем двигателя	140 см <sup>3</sup>	190 см <sup>3</sup>
Номинальная мощность	1,9 кВт	2,4 кВт
Ширина ножа	410 мм	460 мм
Холостые обороты	2800/мин	2800/мин
Емкость топливного бака	0,8 л	1,0 л
Емкость маслобака	0,47 л	0,6 л
Объем мешка для травы	50 л	60 л
Вес нетто	26,0 кг	31,1 кг
Регулировка высоты	25-70 мм, 5 положений	25-70 мм, 5 положений
Гарантированный уровень мощности звука на месте оператора (В соответствии с EN ISO 5395-1 Приложение F & EN ISO 5395-2, EN ISO 4871)	84,6дБ(A) (K=3дБ(A))	83,5дБ(A) (K = 3дБ(A))
Измеренный уровень мощности звука	93,4дБ(A) K=1,93дБ(A)	93,6дБ(A) K=2,47дБ(A)
Гарантированный уровень мощности звука (В соответствии с 2000/14/EC)	96дБ(A)	96дБ(A)
Вибрация (В соответствии с EN ISO 5395-1 Приложение G & EN ISO 5395-2)	5,27 м/с <sup>2</sup> K=1,5 м/с <sup>2</sup>	5,738 м/с <sup>2</sup> K=1,5 м/с <sup>2</sup>

## 5. СБОРКА

### 5-1 СБОРКА СКЛАДНОЙ РУКОЯТКИ

- Закрепите нижние рукоятки в корпусе устройства двумя комплектами болтов, шайб и рукоятками блокировки как показано на рисунке. (Рис. 3, Рис. 4, Рис. 5, Рис. 6)
- Для складывания освободите верхние рукоятки. Подсоедините верхнюю и нижнюю рукоятки двумя комплектами болтов, шайб и рукоятками блокировки. (Рис. 7, Рис. 8, Рис. 9)
- Проложите кабели по осям рукояток. Зафиксируйте их вокруг средней части нижней рукоятки с помощью хомутов, чтобы кабели

располагались в стороне от машины. В противном случае кабели могут быть защемлены при открытии/закрытии задней крышки или натянуты при складывании верхней рукоятки. (Рис. 10)

### 5-2 СБОРКА БУНКЕРА ДЛЯ СБОРА ТРАВЫ

- Установка: Поднимите заднюю крышку и повесьте бункер для сбора травы на ось в задней части газонокосилки. (Рис. 11, Рис. 12)
- Снятие: Возьмитесь за заднюю крышку и поднимите ее, затем отсоедините бункер.

## 5-3 РУКОЯТКА СТАРТЕРА

Переведите рукоятку стартера с двигателя на направляющую троса. (Рис. 13, Рис. 14)

## 5-4 ВЫСОТА СРЕЗАНИЯ

Нажмите по направлению наружу, чтобы высвободить рычаг из рейки. Переместите рычаг вперед или назад для регулировки высоты. (Рис. 15, см. также пункт 8-8)

## 6. РЕГУЛИРОВКА ВЫСОТЫ

- 1) Выдвиньте рукоятку блокировки, которая фиксирует нижнюю рукоятку. (Рис. 16)
- 2) См. Рис. 17, переместите нижнюю рукоятку вверх-вниз, чтобы установить нужную высоту. На данной газонокосилке имеется 3 положения высоты: 1 – максимальная высота нижней рукоятки от земли, 3 – минимальная высота.
- 3) Установите нужную высоту, затем зафиксируйте нижнюю рукоятку рукоятками блокировки.



**ПРЕДОСТЕРЕЖЕНИЕ:** Левая и правая стороны нижней рукоятки должны находиться на одинаковой высоте.

## 7. “2 В 1”

Предусмотрена возможность модернизации данных газонокосилок в зависимости от области применения: Из газонокосилки с задней разгрузкой и газонокосилки для мульчирования.

Что такое мульчирование?

При мульчировании трава срезается за один рабочий проход, затем мелко нарезается и возвращается на почву в качестве природного удобрения.

Советы для обработки газонов с мульчированием:

- Обычное срезание травы максимум на 2 см: с 6 до 4 см.
- Используйте острый нож.
- Не косите мокрую траву.
- Устанавливайте максимальные обороты двигателя.
- Перемещайтесь только в рабочем темпе.
- Регулярно очищайте клин для мульчирования, внутреннюю поверхность корпуса и лезвие.

## ОДИН: Переделка в газонокосилку для мульчирования



**ПРЕДОСТЕРЕЖЕНИЕ:** Только при выключенном двигателе и неподвижном ноже.

1. Поднимите заднюю крышку и снимите бункер для сбора травы.
2. Надвиньте клин для мульчирования на основание. Зафиксируйте кнопкой клин для мульчирования в отверстии основания. (Рис. 18, Рис. 19)
3. Опустите заднюю крышку.

## ДВА: Стрижка газона с использованием бункера для сбора травы

1. Чтобы работать с бункером для сбора травы, снимите клин для мульчирования и установите бункер для сбора травы.
  2. Снятие клина для мульчирования.
- Поднимите заднюю крышку и снимите клин для мульчирования.



**ВНИМАНИЕ:** Только при выключенном двигателе и неподвижном ноже.

## 8. ИНСТРУКЦИИ ПО ЭКСПЛУАТАЦИИ

### 8-1 ПЕРЕД НАЧАЛОМ РАБОТЫ

Обрабатывайте двигатель бензином и маслом согласно инструкциям в отдельном руководстве по двигателю, которое входит в комплект документации, прилагаемой к газонокосилке. Внимательно прочитайте инструкции.



**ПРЕДОСТЕРЕЖЕНИЕ:** Бензин легко воспламеняется.

Храните топливо в предназначенных для этого канистрах.

Заправляйте бак только вне помещения, перед запуском двигателя, и не курите во время заправки или погрузочно-разгрузочных операций с топливом. Запрещается снимать крышку топливного бака или доливать бензин при работающем двигателе или если двигатель горячий.

Если бензин был пролит, не запускайте двигатель; передвиньте газонокосилку в сторону от места разлива и не создавайте каких-либо источников искр до испарения бензина.


Надежно закрывайте крышки топливного бака и канистры.

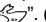
Перед тем как наклонить газонокосилку для обслуживания ножа или слива масла, слейте топливо из бака.



**ПРЕДОСТЕРЕЖЕНИЕ:** Запрещается заливать топливо в бак в помещении, при работающем двигателе или ранее 15 минут после выключения двигателя.

### 8-2 ПУСК ДВИГАТЕЛЯ И ВКЛЮЧЕНИЕ НОЖА

1. Свеча зажигания газонокосилки защищена резиновым чехлом; убедитесь, что металлическая петля на конце провода свечи зажигания (внутри резинового чехла) надежно прикреплена к металлическому наконечнику на свече зажигания.
2. Перед пуском двигателя нажмите кнопку подкачки топлива 3-5 раз. (Рис. 20)
3. При пуске холодного двигателя поверните рычаг воздушной заслонки дросселя в положение “”. При пуске горячего двигателя и во время работы

рычаг воздушной заслонки дросселя следует установить в положение “”. (Рис. 21)

4. Стоя позади устройства, возьмитесь за рукоятку останова и прижмите ее к верхней рукоятке как показано на Рис. 22.
5. Возьмитесь за рукоятку стартера как показано на Рис. 22 и резко потяните вверх. После запуска двигателя медленно верните ее на направляющую троса. Чтобы остановить двигатель и нож, отпустите рукоятку останова.



Включайте двигатель осторожно, в соответствии с инструкциями, ноги при этом должны находиться как можно дальше от лезвий.



При запуске двигателя не наклоняйте газонокосилку. Включайте газонокосилку на ровной поверхности, свободной от высокой травы или препятствий.



Берегите руки и ноги от вращающихся деталей. Не включайте двигатель, стоя перед разгрузочным отверстием.

## 8-3 ПРОЦЕДУРЫ ЭКСПЛУАТАЦИИ

Во время работы надежно удерживайте рукоятку останова обеими руками.



**Примечание:** Если во время работы отпустить рукоятку останова, двигатель выключится, и газонокосилка прекратит работу.



**ПРЕДОСТЕРЕЖЕНИЕ!** Во избежание неожиданного запуска газонокосилки она оборудована тормозом двигателя, который нужно вдавить перед тем, как будет возможно запустить двигатель. Когда рычаг управления двигателем отпускается, он должен вернуться в исходное положение, в котором двигатель автоматически выключается.



**Примечание:** Тормоз двигателя (рукоятка тормоза): Используйте рычаг, чтобы остановить двигатель. Когда Вы отпускаете рычаг, двигатель и лезвие останавливаются автоматически. Для кошения травы держите рычаг в рабочем положении. Перед началом кошения, проверьте несколько раз правильность работы рычага запуска/остановки. Убедитесь в плавности работы кабеля натяжения (т.е. что он нигде не заедает и не скручивается).

## 8-4 ВЫКЛЮЧЕНИЕ ДВИГАТЕЛЯ



**ПРЕДУПРЕЖДЕНИЕ:** Нож продолжает вращаться в течение нескольких секунд после выключения двигателя.

1. Чтобы остановить двигатель и нож, отпустите рукоятку останова.

2. Отсоедините и заземлите провод зажигания от свечи согласно указанию в руководстве по эксплуатации двигателя, чтобы предотвратить случайный самопроизвольный пуск устройства.

## 8-5 МЕТОДЫ СТРИЖКИ ГАЗОНОВ

Очистите газон от мусора. Убедитесь, что на газоне нет камней, палок, проводов или других инородных предметов, которые могут быть случайно выброшены газонокосилкой, причинив тяжелую травму оператору или посторонним людям, повредить имущество или окружающие предметы. Не косите мокрую траву. Для максимальной эффективности стрижки газона не косите мокрую траву, поскольку она налипает на днище основания и затрудняет стрижку. Срежьте не более 1/3 высоты травы.

Рекомендованная высота срезания для газона составляет 1/3 высоты травы. Скорость передвижения следует подобрать таким образом, чтобы срезанная трава равномерно распределялась по газону. В особо сложных условиях при скашивании толстых стеблей используйте самые низкие скорости, чтобы добиться оптимального скашивания. При скашивании высокой травы может потребоваться скашивание газона в два захода, опустив нож еще на 1/3 при втором заходе. Возможно, при втором заходе нужно будет изменить способ скашивания.

Для зачистки отдельных нескошенных участков рекомендуется, чтобы каждый следующий проход немного перекрывал предыдущий. Газонокосилку следует эксплуатировать с максимально открытой дроссельной заслонкой, чтобы добиться наилучшего срезания травы и максимально эффективной стрижки газона. Очищайте днище основания.

Обязательно очищайте днище основания после каждого использования, чтобы не допустить скопления травы. Она снижает качество мульчирования.

Перемалывание листьев: Перемалывание листьев также полезно для газонов. При перемалывании листьев убедитесь, что они сухие и их слой на газоне не слишком толстый. Не дожидайтесь, пока с деревьев опадут все листья, чтобы начать перемалывание.



**ПРЕДОСТЕРЕЖЕНИЕ:** Наткнувшись на посторонний предмет, выключите двигатель. Отсоедините провод от свечи зажигания, тщательно осмотрите газонокосилку на предмет повреждений, и устраните повреждения перед повторным запуском и эксплуатацией газонокосилки. Сильная вибрация газонокосилки во время работы является признаком повреждения. Устройство следует незамедлительно осмотреть и отремонтировать.

## 8-6 БУНКЕР ДЛЯ СБОРА ТРАВЫ


Опорожните и очистите мешок, убедитесь, что он чистый, а его сетка вентилируется. (Рис. 23)


## 8-7 ОСНОВАНИЕ

Нижнюю поверхность основания газонокосилки следует очищать после каждого использования, чтобы предотвратить скопление обрезков травы,

листьев, грязи и т.п. Если такой мусор будет скапливаться, это приведет к появлению ржавчины и коррозии, и может снизить качество мульчирования. Для очистки основания наклоните газонокосилку и соскребите грязь подходящим инструментом (убедитесь, что провод зажигания отсоединен).

## 8-8 УКАЗАНИЯ ПО РЕГУЛИРОВКЕ ВЫСОТЫ

 **ПРЕДУПРЕЖДЕНИЕ:** Ни в коем случае не выполняйте какие-либо регулировки газонокосилки, не выключив предварительно двигатель и не отсоединив провод зажигания.

 **ПРЕДУПРЕЖДЕНИЕ:** Перед изменением высоты скашивания выключите газонокосилку и отсоедините провод зажигания. Газонокосилка оснащена центральным рычагом регулировки высоты, имеющим 5 положений.

1. Прежде чем изменять высоту срезания, выключите газонокосилку и отсоедините провод зажигания.
2. Центральный рычаг регулировки высоты имеет 5 различных положений.
3. Чтобы изменить высоту срезания, отожмите рычаг регулировки в сторону колеса и переместите вверх или вниз в положение требуемой высоты (**Рис. 24**). Все колеса при скашивании окажутся на одинаковой высоте.

## 9. ИНСТРУКЦИИ ПО УХОДУ

### СВЕЧА ЗАЖИГАНИЯ

Используйте только оригинальные свечи зажигания. Для максимально эффективной работы заменяйте свечу зажигания через каждые 100 часов эксплуатации. (См. РУКОВОДСТВО ПО ЭКСПЛУАТАЦИИ ДВИГАТЕЛЯ)

### ТОРМОЗНЫЕ ДИСКИ


Регулярно проверяйте и/или заменяйте тормозные диски двигателя в сервисном центре, для замены можно использовать только оригинальные части.

## 10. ИНСТРУКЦИИ ПО СМАЗКЕ

 **ПРЕДУПРЕЖДЕНИЕ:** ПЕРЕД НАЧАЛОМ ОБСЛУЖИВАНИЯ ОТСОЕДИНИТЕ СВЕЧУ ЗАЖИГАНИЯ.


1. КОЛЕСА - Смазывайте подшипники каждого колеса светлым маслом не реже одного раза в сезон.
2. ДВИГАТЕЛЬ - Следуйте указаниям по смазке, приведенным в руководстве по эксплуатации двигателя.
3. РУКОЯТКА ОСТАНОВА - Смазывайте шарниры на рукоятке останова и трос светлым маслом не реже одного раза в сезон. Рукоятка останова должна свободно перемещаться в обоих направлениях.

## 11. ОЧИСТКА

 **ПРЕДУПРЕЖДЕНИЕ:** Не мойте двигатель из шланга. Вода может повредить двигатель или проникнуть в топливную систему.

1. Протрите основание сухой тканью.
2. Промывайте днище основания, наклонив газонокосилку так, чтобы свеча зажигания была сверху.


### 11-1 ВОЗДУШНЫЙ ФИЛЬТР ДВИГАТЕЛЯ

 **ПРЕДУПРЕЖДЕНИЕ:** Не допускайте засорения сменного элемента воздушного фильтра грязью и пылью.


Сменный элемент воздушного фильтра двигателя следует обслуживать (прочистить) через каждые 25 часов нормальной эксплуатации. Элемент из пеноматериала необходимо регулярно обслуживать, если газонокосилка используется в сухих пыльных условиях. (См. РУКОВОДСТВО ПО ЭКСПЛУАТАЦИИ ДВИГАТЕЛЯ)

### ОЧИСТКА ВОЗДУШНОГО ФИЛЬТРА

1. Для PLM4120N: Поднимите фиксаторы на верхней части крышки фильтра.
- Для PLM4620N: Извлеките винт.
2. Снимите крышку.
3. Промойте элемент воздушного фильтра водой с мылом. **НЕ ИСПОЛЬЗОВАТЬ БЕНЗИН!**
4. Просушите воздушный фильтр сжатым воздухом.
5. Капните несколько капель масла SAE30 на элемент из вспененного материала и слегка сожмите, чтобы удалить излишек масла.
6. Установите фильтр на место.
7. Закройте крышку фильтра.

 **ПРИМЕЧАНИЕ:** Если фильтр изношен, порван, поврежден или не поддается чистке, его следует заменить. (**Рис. 25 для PLM4120N**)

### 11-2 НОЖ

 **ПРЕДУПРЕЖДЕНИЕ:** Чтобы не допустить случайного пуска двигателя, обязательно отсоединяйте и заземляйте провод зажигания, прежде чем приступать к обслуживанию ножа. Если нужно взяться за нож, надевайте толстые перчатки или используйте обрезки ткани.

Наклоните газонокосилку, как указано в отдельном руководстве по эксплуатации двигателя. Извлеките шестигранный болт с шайбой, которые удерживают нож с адаптером на коленвале двигателя. Отсоедините нож и адаптер от коленвала.





**ПРЕДОСТЕРЕЖЕНИЕ:** Периодически осматривайте адаптер ножа на предмет трещин, особенно в случае удара о посторонний предмет. При необходимости замените.

Для обеспечения максимально эффективной работы нож должен быть острым. Для заточки ножа его необходимо снять и использовать шлифовальный круг либо напильник для придания ножу формы, как можно более близкой к первоначальной. Очень важно, чтобы режущие края были заточены одинаково, чтобы предотвратить нарушение балансировки ножа. Неправильная балансировка приведет к повышенной вибрации, что станет причиной повреждения двигателя и газонокосилки. Обязательно выполняйте балансировку ножа после заточки. Балансировку ножа можно проверить с помощью отвертки, используемой в качестве оси. Снимайте металл с более тяжелой стороны ножа, пока не добьетесь равномерной балансировки.

**(Рис. 26)**

Перед установкой ножа и адаптера на газонокосилку смажьте коленвал двигателя и внутренние поверхности адаптера светлым маслом. Установите адаптер ножа на коленвал. См. **Рис. 26**. Установите номер стороны с номером детали от адаптера. Установите шайбу на нож и вставьте шестигранный болт. Затяните болт усилием, указанным ниже.

### 11-3 МОМЕНТ ЗАТЯЖКИ НОЖА

Центральный болт следует затягивать усилием 35 - 45 Нм. Это обеспечит безопасную эксплуатацию устройства. Необходимо периодически проверять надежность затяжки ВСЕХ гаек и болтов. После длительного использования, особенно в местностях с песчаной почвой, нож изнашивается и теряет первоначальную форму. Эффективность резки снижается, и нож следует заменить.

В качестве замены используйте только ножи заводского производства и рекомендованных марок. Изготовитель не несет ответственность за повреждения, вызванные использованием ножей с неправильной балансировкой.

При замене ножа необходимо использовать оригинальные детали с маркировкой на лезвии (MAKITA 263001433 для PLM4120N; MAKITA 263001451 для PLM4620N) (информацию о других ножах можно получить у местного дилера или в нашей компании).



**ПРЕДОСТЕРЕЖЕНИЕ:** Не прикасайтесь к вращающемуся лезвию.

### 11-4 ДВИГАТЕЛЬ

Инструкции по уходу за двигателем см. в отдельном руководстве по эксплуатации двигателя. Замену масла выполняйте в соответствии с указаниями в отдельном руководстве по эксплуатации двигателя, которое входит в комплект поставки вашего устройства.

Внимательно прочитайте инструкции и точно выполняйте все указания.

Обслуживайте воздушный фильтр согласно указаниям в отдельном руководстве по эксплуатации двигателя при нормальных условиях. При эксплуатации в условиях сильного запыления очищайте через каждые несколько часов работы. Падение мощности двигателя и перелив топлива обычно указывают на необходимость очистки воздушного фильтра.

Указания по обслуживанию воздушного фильтра см. в отдельном руководстве по эксплуатации двигателя, которое входит в комплект поставки вашего устройства.

Свечу зажигания следует очищать и регулировать зазор электродов один раз в сезон. Рекомендуется заменять свечу зажигания в начале каждого сезона; тип свечи и зазор электродов см. в руководстве по эксплуатации двигателя.

Регулярно чистите двигатель тканью или щеткой.

Поддерживайте чистоту системы охлаждения (область корпуса вентилятора) для надлежащей циркуляции воздуха. Это обеспечит нормальную работу и продлит срок службы двигателя.

Обязательно удаляйте траву, грязь и горючий мусор из области глушителя.

## 12. УКАЗАНИЯ ПО ХРАНЕНИЮ (МЕЖДУ СЕЗОНАМИ)

Для подготовки газонокосилки к длительному хранению выполните следующее.

1. Опорожните бак после окончания сезона садовых работ.

- a) Слейте бензин из бака с помощью насоса.



**ПРЕДУПРЕЖДЕНИЕ:** Не сливайте бензин в закрытых помещениях, вблизи от открытого огня и т.п. Не курите! Пары бензина могут вызвать взрыв или возгорание.

- b) Запустите двигатель и дайте ему поработать до тех пор, пока он не выработает остатки топлива и не заглохнет.

- c) Снимите свечу зажигания. Залейте примерно 20 мл масла в камеру сгорания. Поработайте стартером, чтобы равномерно распределить масло по камере сгорания. Установите на место свечу зажигания.

2. Тщательно очистите и смажьте бензогазонокосилку как описано выше в разделе "ИНСТРУКЦИИ ПО СМАЗКЕ".
3. Слегка смажьте нож, чтобы предотвратить его коррозию.
4. Храните бензогазонокосилку в сухом, чистом, защищенном от морозов месте, вне досягаемости посторонних лиц.



**ПРЕДУПРЕЖДЕНИЕ:** Перед помещением бензогазонокосилки на хранение двигатель должен полностью остыть.



**ПРИМЕЧАНИЕ:**

В случае хранения любого оборудования с силовой установкой в непроветриваемом помещении или на складе материалов;

- необходимо принять меры для предотвращения коррозии и ржавчины. Нанесите на оборудование светлое масло или силиконовое масло, особенно на кабели и все подвижные части.
- Не перегибайте и не перекручивайте кабели.
- Если трос стартера отсоединится от направляющей на рукоятке, отсоедините и заземлите провод

зажигания, нажмите на рукоятку управления ножом и медленно вытяните трос стартера из двигателя. Наденьте трос стартера на болт направляющей троса на рукоятке.

**Транспортировка**

Выключите двигатель и дайте ему охладиться. Затем отсоедините провод свечи зажигания и опустошите топливный бак согласно указаниям в инструкции по эксплуатации двигателя. Проверьте, что режущий инструмент не согнут и не поврежден в результате ударов газонокосилки о препятствия.

**13. ПОИСК И УСТРАНЕНИЕ НЕИСПРАВНОСТЕЙ**

ПРОБЛЕМА	ВОЗМОЖНАЯ ПРИЧИНА	СПОСОБ УСТРАНЕНИЯ
Двигатель не запускается.	Неправильное положение воздушной заслонки дросселя для данных условий.	Установите воздушную заслонку дросселя в правильное положение.
	Топливный бак пуст.	Залейте топливо в бак: см. РУКОВОДСТВО ПО ЭКСПЛУАТАЦИИ ДВИГАТЕЛЯ.
	Загрязнен фильтрующий элемент воздушного фильтра.	Очистите воздушный фильтр: см. РУКОВОДСТВО ПО ЭКСПЛУАТАЦИИ ДВИГАТЕЛЯ.
	Не затянута свеча зажигания.	Затяните свечу зажигания усилием 25 - 30 Нм.
	Не закреплен или отсоединен провод зажигания.	Установите провод зажигания на свечу.
	Неправильный зазор электродов свечи зажигания.	Установите зазор между электродами свечи 0,7 - 0,8 мм.
	Неисправна свеча зажигания.	Установите новую свечу с правильным зазором электродов: см. РУКОВОДСТВО ПО ЭКСПЛУАТАЦИИ ДВИГАТЕЛЯ.
	Перелив топлива в карбюратор.	Снимите фильтрующий элемент воздушного фильтра и вытягивайте трос стартера до тех пор, пока из карбюратора не сольется излишек топлива, после чего установите воздушный фильтр на место.
Неисправен модуль зажигания.	Обратитесь в официальный сервисный центр компании Makita.	
Затруднения с пуском двигателя или потеря мощности двигателя.	Грязь, вода в топливе или старое топливо.	Слейте топливо и очистите бак. Залейте в бак чистое, свежее топливо.
	Засорено вентиляционное отверстие в крышке топливном баке.	Очистите или замените крышку топливного бака.
	Загрязнен фильтрующий элемент воздушного фильтра.	Очистите воздушный фильтр.
Неустойчивая работа двигателя.	Неисправна свеча зажигания.	Установите новую свечу с правильным зазором электродов: см. РУКОВОДСТВО ПО ЭКСПЛУАТАЦИИ ДВИГАТЕЛЯ.
	Неправильный зазор электродов свечи зажигания.	Установите зазор между электродами свечи 0,7 - 0,8 мм.
	Загрязнен фильтрующий элемент воздушного фильтра.	Очистите воздушный фильтр: см. РУКОВОДСТВО ПО ЭКСПЛУАТАЦИИ ДВИГАТЕЛЯ.

ПРОБЛЕМА	ВОЗМОЖНАЯ ПРИЧИНА	СПОСОБ УСТРАНЕНИЯ
Неустойчивая работа двигателя на холостых оборотах.	Загрязнен фильтрующий элемент воздушного фильтра.	Очистите воздушный фильтр: см. РУКОВОДСТВО ПО ЭКСПЛУАТАЦИИ ДВИГАТЕЛЯ.
	Заблокированы вентиляционные щели в кожухе двигателя.	Удалите обрезки из отверстий.
	Засорены ребра теплоотвода и воздушные каналы под корпусом вентилятора.	Удалите мусор из ребер теплоотвода и воздушных каналов.
Перебои в работе двигателя на высоких оборотах.	Недостаточный зазор между электродами свечи зажигания.	Установите зазор между электродами свечи 0,7 - 0,8 мм.
Перегрев двигателя.	Недостаточный поток воздуха охлаждения.	Удалите мусор из щелей кожуха, корпуса вентилятора и воздушных каналов.
	Свеча зажигания неверного типа.	Для PLM4120N: установите на двигатель свечу зажигания RC12YC или QC12YC и ребра цилиндра. Для PLM4620N: установите свечу зажигания RJ19LMC и ребра теплоотвода.
Сильная вибрация газонокосилки.	Не закреплен режущий блок.	Затяните крепление ножа.
	Нарушена балансировка режущего блока.	Выполните балансировку ножа.

## 14. ОКРУЖАЮЩАЯ СРЕДА

Если срок эксплуатации газонокосилки истек и ее требуется заменить, не выбрасывайте ее вместе с бытовыми отходами. Утилизируйте ее безопасным для окружающей среды способом.

### Только для европейских стран

#### Декларация о соответствии ЕС

**Makita заявляет, что следующая(ие) устройство(а):**

Обозначение устройства:

Бензогазонокосилка

№ модели / тип: PLM4120N, PLM4620N

Технические характеристики: См. "4. ТЕХНИЧЕСКИЕ ДАННЫЕ"

#### Соответствует следующим директивам ЕС:

2004/108/ЕС, 2006/42/ЕС, 2000/14/ЕС и 2005/88/ЕС

Они изготовлены в соответствии со следующими стандартами или нормативными документами:

EN ISO 5395-1, EN ISO 5395-2, EN ISO 14982

Технический файл в соответствии с 2006/42/ЕС доступен в:

Makita, Jan-Baptist Vinkstraat 2, 3070, Бельгия

Процедура оценки соответствия согласно директиве 2000/14/ЕС была проведена в соответствии с приложением VI.

Уполномоченный орган:

TÜV SÜD Industrie Service GmbH

Westendstrasse 199, D-80686 München, Германия

Идентификационный номер: 0036

PLM4120N

Измеренный уровень звуковой мощности: 93,4 дБ

Гарантированный уровень звуковой мощности:

96 дБ

PLM4620N

Измеренный уровень звуковой мощности: 93,6 дБ

Гарантированный уровень звуковой мощности:

96 дБ

22.8.2014



Yasushi Fukaya  
Директор

Makita, Jan-Baptist Vinkstraat 2, 3070, Бельгия

## Пояснення загального вигляду

- |                               |   |                                   |
|-------------------------------|---|-----------------------------------|
| 1. Верхня ручка               | 7. Важіль регулювання висоти            | 12. Затискач для кріплення кабелю |
| 2. Ручка керування зупиненням | 8. Корпус                               | 13. Фіксуюча рукоятка             |
| 3. Важіль дроселювання        | 9. Свічка запалювання                   | 14. Висока швидкість              |
| 4. Ручка стартера             | 10. Кришка паливного баку               | 15. Низька швидкість              |
| 5. Фіксатор пускового шнура   | 11. Кришка отвору для заливання мастила |                                   |
| 6. Травозбірник               |   |                                   |



### УВАГА

Задля Вашої безпеки перед початком роботи з новим інструментом, будь ласка, прочитайте цей посібник. Недотримання інструкцій може призвести до серйозних травм. Оглядайте газонокосарку перед кожним використанням. Збережіть цей посібник у безпечному місці, щоб мати змогу завжди ним користуватись. Якщо даний інструмент передається іншій особі, також передайте ці інструкції з експлуатації та правила техніки безпеки.

### Призначення

Цей інструмент можна використовувати лише для тих завдань, для яких він передбачений. Використання для будь-яких інших цілей вважається неналежним використанням. Відповідальність за будь-які пошкодження або травми, отримані внаслідок такого використання, несе користувач/оператор, а не виробник.

Бензинова газонокосарка призначена для особистого використання, тобто для догляду за газоном або садом.

Під особистим використанням газонокосарки розуміється не більше 50 годин роботи протягом року, при цьому інструмент має використовуватися в основному для догляду за невеликими, присадибними газонами та домашніми/аматорськими садами. Використання цього інструмента в громадських місцях, спортивних закладах та сільському/лісовому господарстві заборонене.

Майте на увазі, що цей інструмент не призначений для комерційного, торгівельного або промислового використання. Наша гарантія анулюється, якщо даний інструмент використовуватиметься в комерції, торгівлі або промисловості, чи з аналогічними цілями.

Для належного використання з технічного обслуговування газонокосарки зберігайте та дотримуйтесь наданих виробником інструкцій з експлуатації. Дані інструкції містять корисну інформацію щодо експлуатації, догляду та технічного обслуговування.

Важливо! Через великий ризик травмування користувача, газонокосарку не можна використовувати для вирівнювання кущів, живоплоту чи чагарнику, для підстригання повзучих рослин, озелених дахів чи балконів, для прибирання (засмокткування) бруду та сміття з доріжок, або обрізання дерев чи живоплоту. Крім того, газонокосарку не можна використовувати у якості мотокультиватора для вирівнювання грудок, наприклад, кротовини.

Задля безпеки газонокосарку не можна використовувати у якості приводу для будь-яких інших інструментів чи комплектів інструментів.

## 1. СИМВОЛИ НА ВИРОБІ (на задній кришці)



Прочитайте інструкцію з експлуатації.



Тримайте дистанцію від сторонніх людей.



Під час роботи слідкуйте за руками і ногами, щоб уникнути травм.



Отруйні гази. Не використовуйте пристрій у приміщенні.



Пальне вогнебезпечне, тому тримайтеся подалі від вогню. Не залишайте пальне у працюючий пристрій.



Перед використанням газонокосарки надягайте окуляри і вставляйте беруші.



Перед проведенням ремонтних робіт, будь ласка, знімайте свічку запалювання, а потім здійснюйте ремонт згідно з інструкцією.



Застереження: Двигун гарячий.



Щоб зупинити двигун, відпустіть пусковий важіль.

## 2. ЗАГАЛЬНІ ПРАВИЛА БЕЗПЕКИ



**УВАГА:** Щоб зменшити ризик отримання серйозних травм та/або пошкодження пристрою, під час використання бензинових інструментів необхідно суворо дотримуватись основних правил техніки безпеки, включаючи нижченаведені положення. Перед початком роботи з цим інструментом прочитайте усі інструкції й збережіть їх для подальшого використання.



**УВАГА:** Під час роботи цей пристрій утворює електромагнітне поле. За певних обставин це поле може впливати на активні або пасивні медичні імпланти. Щоб зменшити ризик отримання серйозних та смертельних тілесних ушкоджень, ми рекомендуємо особам із медичними імплантатами перед використанням цього пристрою звернутися до лікаря та виробника медичних імплантатів.

### Інструктаж користувача

- Уважно прочитайте інструкцію з експлуатації. Ознайомтеся зі всіма засобами керування пристроєм, а також із правилами його належного використання. Навчіться швидко зупинити двигун.
- Використовуйте газонокосарку тільки за призначенням, тобто для скошування та збирання трави. Використання не за призначенням є небезпечним і може призвести до пошкодження пристрою. Прикладами неналежного використання пристрою можуть, зокрема, бути:
  - перевезення на пристрої людей, дітей або тварин;
  - транспортування за допомогою пристрою;
  - використання пристрою для буксирування або штовхання вантажів;
  - використання пристрою для збирання листя або сміття;
  - використання пристрою для підрізання живоплоту або для скошування будь-якої рослинності, окрім трави;
  - перебування пристрою у використанні двома або більше особами;
  - використання ріжучого полотна на будь-яких інших поверхнях, окрім трави.
- Ніколи не дозволяйте користуватися бензиновою газонокосаркою дітям та особам, не ознайомленим із цими інструкціями. Місцеві нормативні документи можуть обмежувати віковий поріг оператора.
- Ніколи не використовуйте газонокосарку:
  - коли поблизу знаходяться інші особи, особливо діти або домашні тварини;

- якщо оператор перебуває під дією лікарських засобів або інших речовин, що можуть впливати на його здатність реагувати та зосереджуватися.

- Пам'ятайте, що оператор або користувач несе відповідальність за нещасні випадки та створення небезпечних ситуацій, що можуть зашкодити людям та їхньому майну.
- Оператори повинні отримати належну підготовку з використання, регулювання та роботи інструмента, включаючи заборонені дії.

### Підготовка

- Перед використанням газонокосарки завжди надягайте міцне взуття та довгі штани. Забороняється використовувати інструмент босоніж або у відкритих сандаліях.
- Уважно обстежте робочу ділянку, на якій буде застосовуватися інструмент, і приберіть усі предмети, як-от камені, іграшки, гілки та дроти, які можуть відкидатися інструментом.
- УВАГА- Бензин є легкозаймистою речовиною.
  - зберігайте пальне у спеціально призначених контейнерах;
  - заливайте пальне тільки поза приміщенням і не пальіть у цей час;
  - доливайте пальне перед запуском двигуна. Ніколи не знімайте кришку паливного баку і не доливайте бензин під час роботи двигуна або коли двигун гарячий;
  - у разі проливання бензину не намагайтеся запустити двигун, а перемістіть пристрій подалі від цього місця і зачекайте, поки випари бензину не розвіються, щоб уникнути створення джерела займання;
  - надійно закручіть кришку паливного баку і кришку контейнера для пального.
- Замініть несправні глушники.
- Перед використанням завжди візуально перевіряйте, щоб усі ріжучі полотна, болти і деталі ріжучої частини не були зношеними або пошкодженими. Завжди замінійте увесь комплект зношених або пошкоджених ріжучих полотен і болтів, щоб зберегти балансування.
- Регулярно перевіряйте правильність роботи усіх засобів блокування пуску та систем наявності оператора.

### Робота

- Не використовуйте двигун в умовах обмеженого простору, де може збиратися небезпечний чадний газ.
- Не використовуйте інструмент, якщо відчуваєте втому, захворіли або після вживання алкоголю чи лікарських засобів.
- Увага: Не використовуйте газонокосарку, якщо є небезпека влучення блискавки.
- Рекомендується обмежити тривалість використання для зведення до мінімуму ризиків, пов'язаних із шумом та вібрацією.
- Будьте обережні під час використання газонокосарки на схилах та поблизу обривів, канав та насипів.

- Використовуйте газонокосарку тільки за умов денного світла або яскравого штучного освітлення.
- За можливості уникайте використання інструмента на мокрій траві.
- Завжди впевнено стійте на похилій поверхні.
- Ходіть, ніколи не біжіть.
- Під час використання пристроїв на колесах пересувайте їх поперек похилої поверхні, а не вгору та вниз.
- Будьте надзвичайно уважними, коли змінюєте напрямок руху газонокосарки на похилій поверхні.
- Не використовуйте газонокосарку на дуже крутих схилах.
- Будьте надзвичайно уважними, коли розвертаєте газонокосарку або тягнете її на себе.
- Зупиняйте ріжуче(-і) полотно(-а), якщо потрібно нахилити бензинову газонокосарку та перенести через ділянку, де не росте газон, або з однієї робочої ділянки на іншу.
- Ніколи не використовуйте газонокосарку із пошкодженими захисними кожухами або без захисних пристроїв, наприклад відбивачів та/або травозбірника.
- Попередження! Забороняється використовувати газонокосарку без встановленого травозбірника або самозакривного щитка отвору викиду.
- Не змінюйте налаштування регулятора обертів двигуна і не перевищуйте допустиму швидкість двигуна.
- Не змінюйте та не втручайтеся в роботу будь-яких заблокованих регулювань швидкості двигуна.
- Не дозволяється втручатися в роботу та вимикати системи або засоби безпеки газонокосарки.
- Перед запуском двигуна розблокуйте ріжуче полотно та обертальні частини приводного вузла.
- Обережно запускайте двигун згідно з наведеними інструкціями, тримаючи ноги подалі від ріжучого(-их) полотна(-ен).
- Не нахилийте газонокосарку під час запуску двигуна.
- Під час запуску двигуна не стійте навпроти жолоба викиду.
- Не наближайте руки та ноги до частин, що обертаються. Завжди тримайтеся на відстані від отвору викиду.
- Ніколи не піднімайте і не переносьте газонокосарку під час роботи двигуна.
- Завжди зупиняйте двигун і від'єднуйте дріт свічки запалювання та перевіряйте, щоб усі рухомі частини повністю зупинилися, а також витягуйте ключ, якщо він використовувався:
  - перед усуненням блокування або видаленням засмічення із жолоба;
  - перед перевіркою та очищенням газонокосарки, а також перед проведенням робіт на газонокосарці;
  - після зіткнення зі сторонніми предметами.
- Огляньте газонокосарку на наявність пошкоджень, виконайте необхідний ремонт та тільки після цього продовжуйте роботу;
  - якщо газонокосарка починає незвично вібрувати (негайно перевірте).
- Завжди зупиняйте двигун і від'єднуйте дріт свічки запалювання та перевіряйте, щоб усі рухомі

частини повністю зупинилися, а також витягуйте ключ, якщо він використовувався:

- коли Ви припиняєте роботу із газонокосаркою;
  - перед дозавправленням пальним.
- Зменшуйте рівень подачі пального під час зупинки двигуна і, якщо двигун оснащений відсічним клапаном, вимикайте подачу пального наприкінці роботи.
  - Використовуйте газонокосарку тільки за призначенням, тобто для скошування та збирання трави. Використання не за призначенням є небезпечним і може призвести до пошкодження пристрою.

## Технічне обслуговування та зберігання

- Щоб гарантувати безпечну роботу інструмента, перевіряйте надійність затягування всіх гайок, болтів та гвинтів.
- Якщо у баку інструмента залишається бензин, не зберігайте інструмент у приміщенні, де випаровування бензину можуть дістатися відкритого вогню або іскри.
- Перед зберіганням у закритому просторі зачекайте, доки двигун охолоне. Перед зберіганням почистіть та огляньте газонокосарку.
- Щоб зменшити ризик займання, слідкуйте, щоб у двигуні, глушнику, акумуляторному відсіку та у місці зберігання пального не було трави, листя або надлишку мастила.
- Регулярно перевіряйте травозбірник на наявність ознак зношення або пошкодження.
- Щоб забезпечити безпечне використання пристрою, заміновані зношені або пошкоджені деталі.
- Зливати пальне з баку слід поза приміщенням.
- Неналежний догляд, використання невідповідних замінованих деталей або знаннями чи видозміна елементів забезпечення безпеки можуть призвести до пошкодження газонокосарки та серйозного травмування оператора.
- Використовуйте лише ріжучі полотна та запасні деталі, рекомендовані виробником. Використання деталей від інших виробників може призвести до пошкодження інструменту та травмування операторів. Тримайте газонокосарку у доброму робочому стані.
- Якщо пристрій зупинення ріжучого полотна не працює, зверніться за допомогою до сервісного центра.

## Транспортування та переміщення

- Коли пристрій необхідно перемістити, підняти, транспортувати або нахилити, Ви повинні:
  - надягати міцні робочі рукавиці;
  - братися за пристрій у тих місцях, які можуть забезпечити його надійне утримування, урахувавши вагу пристрою та її розподіл;
  - залучити необхідну кількість людей відповідно до ваги пристрою та технічних характеристик транспортного засобу або місця, куди пристрій необхідно покласти чи з якого взяти.
- Під час транспортування надійно закріплюйте пристрій за допомогою мотузок або ланцюгів.

### 3. ОПИС ДЕТАЛЕЙ (Мал. 1 та 2)

#### Включуючі

A: Свічний ключ

B: Мульчувальний клин



**УВАГА:** Не торкайтеся ріжучого полотна, що обертається.



**УВАГА:** Заливайте паливне у добре вентильованому місці, коли двигун зупинений.

### 4. ТЕХНІЧНІ ДАНІ

Модель	PLM4120N	PLM4620N
Тип двигуна	Серія B&S 500E	Серія B&S 625E
Самохідність	Ні	Ні
Робочий об'єм двигуна	140 см <sup>3</sup>	190 см <sup>3</sup>
Номінальна потужність	1,9 кВт	2,4 кВт
Ширина ріжучого полотна	410 мм	460 мм
Швидкість холостого ходу	2800 об/хв.	2800 об/хв.
Об'єм паливного баку	0,8 л	1,0 л
Об'єм мастильного баку	0,47 л	0,6 л
Об'єм травозбірника	50 л	60 л
Вага нетто	26,0 кг	31,1 кг
Регулювання висоти	25-70 мм, 5 положень	25-70 мм, 5 положень
Гарантований рівень звукової потужності у місці знаходження оператора (згідно EN ISO 5395-1, Додаток F та EN ISO 5395-2, EN ISO 4871)	84,6дБ(A) (K=3дБ(A))	83,5дБ(A) (K = 3дБ(A))
Вимірний рівень звукової потужності	93,4дБ(A) K=1,93дБ(A)	93,6дБ(A) K=2,47дБ(A)
Гарантований рівень звукової потужності (згідно 2000/14/ЄС)	96дБ(A)	96дБ(A)
Вібрації (згідно EN ISO 5395-1, Додаток G та EN ISO 5395-2)	5,27 m/s <sup>2</sup> K=1,5 m/s <sup>2</sup>	5,738 m/s <sup>2</sup> K=1,5 m/s <sup>2</sup>

### 5. ЗБИРАННЯ

#### 5-1 ЗБИРАННЯ СКЛАДАНОЇ РУЧКИ

- A) Зафіксуйте штанги нижньої ручки у корпусі пристрою двома комплектами болтів, шайб і фіксуючих рукояток, як показано на малюнках. (Мал. 3, Мал. 4, Мал. 5, Мал. 6)
- B) Вивільніть штанги верхньої ручки для складання. Приєднайте верхню ручку і нижню ручку двома комплектами болтів, шайб і фіксуючих рукояток. (Мал. 7, Мал. 8, Мал. 9)
- C) Розмістіть усі кабелі над валами ручок. Затисніть їх навколо середини нижніх ручок затискачами для кріплення кабелю, щоб кабелі були зафіксовані зовні пристрою. Інакше кабелі можуть бути защемлені під час відкривання/закривання задньої кришки або втиснені під час складання верхньої ручки. (Мал. 10)

#### 5-2 ЗБИРАННЯ ТРАВОЗБІРНИКА

1. Щоб установити травозбірник: Підніміть задню кришку та повісьте травозбірник на вал у задній частині газонокосарки. (Мал. 11, Мал. 12)

2. Щоб зняти травозбірник: Візьміться за задню кришку та підніміть її, після чого зніміть травозбірник.

#### 5-3 РУЧКА СТАРТЕРА

Перемістіть ручку стартера від двигуна до фіксатора пускового шнура. (Мал. 13, Мал. 14)

#### 5-4 ВИСОТА СКОШУВАННЯ

Натисніть на важіль, щоб витягнути його із зубчастої рейки. Щоб відрегулювати висоту, пересуньте важіль вперед або назад. (Мал. 15 та див. пункт 8-8)

### 6. НАЛАШТУВАННЯ ПОТРІБНОЇ ВИСОТИ

- 1) Відведіть назад фіксуючу рукоятку, що кріпить нижню ручку. (Мал. 16)
- 2) Як показано на Мал. 17, пересуньте нижню ручку вгору або вниз, щоб відрегулювати зручну висоту. У газонокосарки цього типу можна вибрати 3 висоти регулювання; на 1-й висоті нижня ручка знаходиться на найбільшій висоті від землі, на 3-й - на найнижчій.

- 3) Після встановлення зручної висоти знову приєднайте нижню ручку за допомогою фіксуючих рукояток.



**УВАГА:** Висота нижньої ручки повинна бути однаково відрегульована праворуч і ліворуч.

## 7. 2 В 1

Залежно від мети використання ці газонокосарки можуть бути модифіковані у порівнянні з їхніми стандартними функціями:

3 газонокосарки із заднім викидом у мульчувальну газонокосарку.

Що таке мульчування?

Під час мульчування трава скошується за один робочий прогін, а потім подрібнюється і скидається на скошену смужку як природне добриво.

Поради з мульчування:

- Звичайне скошування трави максимум на 2 см: від 6 см до 4 см.
- Ніж повинен бути гострим.
- Не скошуйте мокру траву.
- Установлюйте двигун на максимальну швидкість.
- Не пересувайте газонокосарку занадто швидко.
- Регулярно чистьте мульчувальний клин, внутрішню сторону корпусу та ріжуче полотно.

## ОДИН: Трансформування у мульчувальну газонокосарку



**УВАГА:** Тільки за умов, коли двигун і ріжуче полотно повністю зупинені.

1. Підніміть задню кришку та зніміть травозбірник.
2. Установіть у корпус мульчувальний клин. Закріпіть мульчувальний клин за допомогою кнопки в отворі на корпусі. (Мал. 18, Мал. 19)
3. Знову опустіть задню кришку.

## ДВА: Використання газонокосарки із травозбірником

1. Для використання газонокосарки із травозбірником зніміть мульчувальний клин і установіть травозбірник.
2. Знімання мульчувального клину.
- Підніміть задню кришку та зніміть мульчувальний клин.



**УВАГА:** Тільки за умов, коли двигун і ріжуче полотно повністю зупинені.

## 8. ІНСТРУКЦІЇ З ЕКСПЛУАТАЦІЇ

### 8-1 ПЕРЕД ЗАПУСКОМ

Заправте двигун бензином і мастилом, як вказано в окремій інструкції з експлуатації двигуна, що входить до комплекту Вашої газонокосарки. Уважно прочитайте цю інструкцію з експлуатації.



**УВАГА:** Бензин є легкозаймистою речовиною. Зберігайте пальне у спеціально призначених контейнерах.

Заливайте пальне тільки поза приміщенням та перед запуском двигуна; не паліть під час заправлення та під час роботи з пальним.

Ніколи не знімайте кришку паливного баку і не доливайте бензин під час роботи двигуна або коли двигун гарячий.

У разі проливання бензину не намагайтеся запустити двигун, а перемістіть пристрій подалі від цього місця і зачекайте, поки випари бензину не розвіються, щоб уникнути створення джерела займання.

Надійно закривайте кришку паливного баку і кришку контейнера для пального.

Перед тим як перевернути газонокосарку, щоб очистити ріжуче полотно або злити мастило, зливайте пальне з баку.



**УВАГА:** Ніколи не заливайте пальне в бак у приміщенні, під час роботи двигуна, а також упродовж щонайменше 15 хвилин після закінчення його роботи.

### 8-2 ЗАПУСК ДВИГУНА І РОБОТА РІЖУЧОГО ПОЛОТНА

1. На кінці свічки запалювання є гумова частина; переконайтеся, що металева петля на кінці дроту свічки запалювання (усередині гумової частини) надійно зчеплена із металевим кінчиком свічки запалювання.
2. Перш ніж запустити двигун, натисніть на кнопку підсосу 3–5 разів. (Мал. 20)
3. Під час запуску охолодженого двигуна пересуньте важіль дроселювання у положення "☁". У разі теплої запуску і використання двигуна пересуньте важіль дроселювання у положення "☀". (Мал. 21)
4. Станьте позаду пристрою, візьміться за ручку керування зупиненням і притисніть її до верхньої ручки, як показано на Мал. 22.
5. Візьміться за ручку стартера, як показано на малюнку Мал. 22, та різко потягніть її. Після запуску двигуна повільно поверніть її до фіксатора пускового шнура. Щоб зупинити двигун і ріжуче полотно, відпустіть ручку керування зупиненням.



Обережно запустіть двигун згідно з наведеними інструкціями, тримаючи ноги подалі від ріжучого полотна.



Не нахилийте газонокосарку під час запуску двигуна. Запускайте газонокосарку на рівній поверхні без високої трави та будь-яких перешкод.



Тримайте руки і ноги в стороні від рухомих частин. Під час запуску двигуна не стійте навпроти отвору викиду.

### 8-3 ПРОЦЕДУРА ЕКСПЛУАТАЦІЇ

Під час роботи міцно тримайте ручку керування зупиненням обома руками.



**Примітка:** Якщо під час роботи відпустити ручку керування зупиненням, двигун зупиниться та газонокосарка припинить працювати.



**УВАГА!** Для запобігання ненавмисному запуску газонокосарки її обладнано гальмом двигуна, який треба відтягнути, перш ніж запускати двигун. Коли відпускається ручка керування двигуном, вона має повернутись до початкового положення, і тоді двигун автоматично вимкнеться.



**Примітка:** Гальмо двигуна (ручка гальма): Використовуйте важіль для зупинки двигуна. Коли відпускається важіль, двигун та ріжуче полотно автоматично зупиняються. Для скошування трави тримайте важіль у робочому положенні. Перш ніж починати скошування, декілька разів перевірте важіль пуску/зупинки, щоб переконатись у належній роботі. Перевірте плавність ходу натяжного кабелю (тобто, він не повинен жодним чином чіплятися або перекручуватися).

### 8-4 ЗУПИНЕННЯ ДВИГУНА



**ЗАСТЕРЕЖЕННЯ:** Після зупинення двигуна ріжуче полотно продовжуватиме обертатися декілька секунд.

1. Щоб зупинити двигун і ріжуче полотно, відпустіть ручку керування зупиненням.
2. Щоб попередити випадковий запуск двигуна, коли пристрій залишається без нагляду, від'єднайте дріт свічки запалювання та покладіть його на землю, як вказано в окремій інструкції з експлуатації двигуна.

### 8-5 ПОРАДИ ЩОДО ЕФЕКТИВНОГО СКОШУВАННЯ

Очистіть газон від сміття. Перевірте, щоб на газоні не було каміння, гілок, дротів ті інших сторонніх предметів, які газонокосарка може відкинути у будь-якому напрямку і які можуть серйозно травмувати оператора та інших людей, а також завдати шкоди майну й довкіллю. Не скошуйте мокру траву. Щоб робота була ефективною, не скошуйте мокру траву, тому що вона налипає на дно корпусу та заважає скошуванню. Скошуйте траву не більше, ніж на 1/3 її довжини.

Скошуйте траву рекомендується не більше, ніж на 1/3 довжини. Слід належним чином відрегулювати швидкість пересування, щоб настриг рівномірно розсіювався газоном. Для особливо важкого скошування густої трави краще працювати на низькій швидкості, щоб трава на ділянці була рівномірно скошена. Високу траву краще скошувати за два рази, опустивши під час другого скошування ріжуче полотно ще на 1/3 висоти й змінивши напрям пересування.

Під час кожного наступного прогону частково перекривайте попередній прогін, щоб на газоні не залишилось окремих бадиллин трави. Газонокосарка повинна завжди працювати із максимальною подачею пального, щоб скошування було максимально ефективним. Чистьте дно корпусу.

Після кожного використання чистьте дно корпусу, щоб уникнути налипання трави, яке може стати причиною неякісного мульчування.

Збирання листя: Можливо, у Вас також з'явиться необхідність зібрати листя на газоні. Перед збиранням листя слід переконатися, що воно сухе та лежить не занадто товстим шаром. Не чекайте, доки опадє все листя з дерев.



**УВАГА:** Якщо газонокосарка зачепить сторонній предмет, зупиніть двигун. Від'єднайте дріт від свічки запалювання, уважно обстежте газонокосарку на наявність пошкоджень та полагодьте її перед наступним використанням. Сильна вібрація під час роботи газонокосарки є ознакою її пошкодження. Її слід негайно обстежити та полагодити.

### 8-6 ТРАВОЗБІРНИК

Спорожніть та ретельно вичистіть травозбірник, а також переконайтеся, що його сітчаста структура вентиляється. (Мал. 23)

### 8-7 КОРПУС

Чистьте дно корпусу після кожного використання газонокосарки, щоб запобігти налипанню трави, листя, бруду тощо. Накопичення таких залишків призведе до появи іржі та корозії, а також завдасть належному мульчуванню. Корпус можна почистити, перевернувши газонокосарку і відскобливши дно придатним для цього інструментом (перевірте, щоб дріт свічки запалювання був від'єднаний).

### 8-8 ІНСТРУКЦІЇ ЩОДО НАЛАШТУВАННЯ ВИСОТИ



**ЗАСТЕРЕЖЕННЯ:** Категорично забороняється виконувати будь-які налаштування газонокосарки, не зупинивши двигун та не від'єднавши дріт свічки запалювання.



**ЗАСТЕРЕЖЕННЯ:** Перед тим як змінити висоту скошування, слід зупинити газонокосарку та від'єднати дріт свічки запалювання. Ваша газонокосарка оснащена центральним важелем регулювання висоти, за допомогою якого Ви можете обрати будь-яке із 5 положень.

1. Перед зміною висоти скошування зупиніть газонокосарку та від'єднайте дріт свічки запалювання.
2. За допомогою центрального важеля регулювання висоти Ви можете обрати будь-яке із 5 положень.
3. Щоб змінити висоту скошування, натисніть на важіль регулювання у напрямку колеса та оберіть потрібну висоту, пересуваючи його вгору або вниз



(Мал. 24). Усі колеса будуть налаштовані на одну висоту скошування.

## 9. ІНСТРУКЦІЇ ЩОДО ТЕХНІЧНОГО ОБСЛУГОВУВАННЯ

### СВІЧКА ЗАПАЛЮВАННЯ

Використовуйте для заміни тільки оригінальні свічки запалювання. Для отримання найкращих результатів замінійте свічку запалювання через кожні 100 годин роботи. (Зверніться до ІНСТРУКЦІЇ З ЕКСПЛУАТАЦІЇ ДВИГУНА)

### ГАЛЬМОВІ НАКЛАДКИ

Регулярно перевіряйте та/або замінійте гальмові накладки у сервісному центрі та використовуйте лише оригінальні частини.

## 10. ІНСТРУКЦІЇ ЩОДО ЗМАЩУВАННЯ



**ЗАСТЕРЕЖЕННЯ:** ПЕРЕД ПРОВЕДЕННЯМ РОБІТ ІЗ ТЕХНІЧНОГО ОБСЛУГОВУВАННЯ ВІД'ЄДНУЙТЕ СВІЧКУ ЗАПАЛЮВАННЯ.

1. КОЛЕСА – Змащуйте шарикопідшипники у кожному колесі легким мастилом хоча б один раз на сезон.
2. ДВИГУН – Дотримуйтеся інструкції з експлуатації двигуна стосовно його змащування.
3. КЕРУВАННЯ ЗУПИНЕННЯМ – Точки обертання на ручці керування зупиненням змащуйте легким мастилом хоча б один раз на сезон. Ручка керування зупиненням має вільно працювати в обох напрямках.

## 11. ЧИЩЕННЯ



**ЗАСТЕРЕЖЕННЯ:** Не поливайте двигун зі шланга. Вода може пошкодити двигун або забруднити паливну систему.

1. Витирайте корпус сухою ганчіркою.
2. Мийте зі шланга дно корпусу, перевернувши газонокосарку таким чином, щоб свічка запалювання знаходилася вгору.

### 11-1 ПОВІТРООЧИСНИК ДВИГУНА



**ЗАСТЕРЕЖЕННЯ:** Слідкуйте за тим, щоб фільтруючий елемент повітряного фільтра не засмітився брудом та пилом.

Повітроочисник двигуна треба обслуговувати (чистити) після кожних 25 годин звичайної роботи. Фільтруючий елемент треба обслуговувати регулярно, якщо газонокосарка використовується у сухому пильному середовищі. (Зверніться до ІНСТРУКЦІЇ З ЕКСПЛУАТАЦІЇ ДВИГУНА)

## ЧИЩЕННЯ ПОВІТРЯНОГО ФІЛЬТРА

1. Для PLM4120N: Підніміть лапки на кришку фільтра. Для PLM4620N: Відкрутіть гвинт.
2. Зніміть кришку.
3. Помийте фільтруючий елемент у мильній воді. **НЕ ВИКОРИСТОВУЙТЕ БЕНЗИН!**
4. Висушіть фільтруючий елемент на повітрі.
5. Налийте декілька крапель мастила SAE30 на фільтруючий елемент і міцно стисніть його, щоб видалити надлишок мастила.
6. Установіть фільтр на місце.
7. Закрийте кришку фільтра.



**ПРИМІТКА:** Замініть фільтр, якщо він зносився, порвався, зазнав пошкоджень або його неможливо вимити. (Мал. 25 для PLM4120N)

### 11-2 РІЖУЧЕ ПОЛОТНО



**ЗАСТЕРЕЖЕННЯ:** Перед проведенням робіт на ріжучому полотні, щоб попередити випадковий запуск двигуна, від'єднайте і покладіть на землю дріт свічки запалювання. Надягніть товсті рукавиці або скористайтесь товстою тканиною, щоб взятися за ріжуче полотно.

Нахиліть газонокосарку, як вказано в інструкції з експлуатації двигуна. Зніміть болт із шестигранною головкою і шайбу, які приєднують ріжуче полотно та адаптер ріжучого полотна до колінчатого валу двигуна. Від'єднайте ріжуче полотно та адаптер ріжучого полотна від колінчатого валу двигуна.



**УВАГА:** Періодично оглядайте адаптер ріжучого полотна на наявність тріщин, особливо якщо газонокосарка зачепила сторонній предмет. Замінійте його, якщо це необхідно.

Для досягнення найкращих результатів ріжуче полотно повинно бути гострим. Ріжуче полотно можна нагострити; для цього його треба зняти і наточити або відшліфувати ріжучий край, намагаючись зберегти первинний кут. Надзвичайно важливо рівномірно нагострити кожний ріжучий край, щоб не порушити балансування ріжучого полотна. Порушення балансування ріжучого полотна може призвести до надмірної вібрації та пошкодження двигуна і газонокосарки. Перевіряйте точність балансування ріжучого полотна після нагострення. Балансування ріжучого полотна можна перевірити за допомогою викрутки з круглим перерізом. Знімайте метал із важкої сторони, доки не буде встановлена рівновага. (Мал. 26)

Перед приєднанням ріжучого полотна і адаптера ріжучого полотна до пристрою змастіть колінчатий вал двигуна та внутрішню поверхню адаптера ріжучого полотна легким мастилом. Приєднайте адаптер ріжучого полотна до колінчатого валу. Див. Мал. 26. Розташуйте ріжуче полотно таким чином, щоб номер деталі знаходився із протилежного боку від адаптера. Сумістіть шайбу із ріжучим полотном і вставте болт із шестигранною головкою. Затягніть болт із

шестигранною головкою крутним моментом, зазначеним нижче.

### 11-3 КРУТНИЙ МОМЕНТ ЗАТЯГУВАННЯ РІЖУЧОГО ПОЛОТНА

Центральний болт має бути затягнутий із крутним моментом 35 - 45 Нм. Задля безпечної роботи Вашого пристрою треба періодично перевіряти затягнення УСІХ гайок і болтів. Після тривалого використання, особливо в умовах піщаного ґрунту, ріжуче полотно зношується і втрачає первинну форму. Ефективність скошування зменшується і з'являється потреба в заміні ріжучого полотна.

Замінійте тільки ріжучим полотном, виготовленим на рекомендованому заводі. Виробник не несе відповідальності за можливі пошкодження внаслідок відсутності балансування ріжучого полотна.

Під час заміни встановлюйте тільки оригінальне ріжуче полотно з маркуванням (МАКІТА 263001433 для PLM4120N; МАКІТА 263001451 для PLM4620N) (щоб замовити таке ріжуче полотно, зверніться до місцевого дилера або зателефонуйте до нашої компанії).



**УВАГА:** Не торкайтеся ріжучого полотна, що обертається.

### 11-4 ДВИГУН

Інформація щодо технічного обслуговування двигуна можна прочитати в окремій інструкції з експлуатації двигуна.

Змащуйте двигун згідно з інформацією, вказаною в окремій інструкції з експлуатації двигуна, що входить до комплекту Вашого пристрою.

Уважно прочитайте інструкції та дотримуйтеся їх. За звичайних умов використання технічне обслуговування повітроочисника проводить згідно з інформацією, вказаною в окремій інструкції з експлуатації двигуна. У разі використання в дуже запиленому середовищі чистьте його кожні декілька годин роботи. Неналежна робота двигуна зазвичай означає, що необхідно провести технічне обслуговування повітроочисника.

Інформацію щодо технічного обслуговування повітроочисника можна прочитати в інструкції з експлуатації двигуна, що входить до комплекту Вашого пристрою.

Свічку запалювання слід прочищати та зазор між електродами слід встановлювати один раз на сезон. Свічку запалювання рекомендується замінювати на початку кожного сезону роботи; правильний тип свічки і характеристики зазору між електродами можна подивитися в інструкції з експлуатації двигуна.

Регулярно витирайте двигун тканиною або чистою щіткою. Тримайте чистою охолоджувальну систему (блок вентилятора) для забезпечення належної циркуляції повітря, оскільки це необхідно для високої продуктивності та тривалої експлуатації двигуна. Перевіряйте, щоб з глушника була видалена вся трава, бруд і займисті залишки.

## 12. ІНСТРУКЦІЇ ЗІ ЗБЕРІГАННЯ (ПІСЛЯ ЗАКІНЧЕННЯ СЕЗОНУ)

Щоб підготувати газонокосарку для зберігання, слід виконати зазначені нижче дії.

1. Спорожніть бак після останнього скошування у сезоні.

a) Зробіть це за допомогою відсмоктувального насосу.



**ЗАСТЕРЕЖЕННЯ:** Не зливайте бензин у зачинених приміщеннях, поблизу відкритого вогню тощо. Не паліть! Випари бензину можуть спричинити вибух або пожежу.

b) Запустіть двигун і залиште його працювати, поки не буде використаний увесь бензин, що залишився, і двигун не зупиниться.

c) Зніміть свічку запалювання. За допомогою ручної маслянки налійте приблизно 20 мл мастила у камеру згоряння. Запустіть стартер, щоб рівномірно розподілити мастило по камері згоряння. Установіть свічку запалювання.

2. Ретельно почистіть та змастіть газонокосарку, як вказано в розділі "ІНСТРУКЦІЇ ЩОДО ЗМАЩУВАННЯ".

3. Злегка змажте ріжуче полотно, щоб уникнути корозії.

4. Зберігайте газонокосарку у сухому, чистому, захищеному від морозу приміщенні подалі від сторонніх осіб.



**ЗАСТЕРЕЖЕННЯ:** Газонокосарку ставити на зберігання слід тільки після того, як двигун повністю охолоне.



**ПРИМІТКА:**

Під час зберігання будь-якого обладнання у неventильованому приміщенні або у приміщенні, призначеному для зберігання матеріалів:

- Вживайте відповідних заходів, щоб захистити обладнання від корозії. Покривайте обладнання, особливо кабелі та усі рухомі частини, легким мастилом або силіконом.
- Не згинайте та не перекручуйте кабелі.
- Якщо пусковий шнур від'єднався від фіксатора пускового шнура на ручці, від'єднайте і покладіть на землю дріт свічки запалювання, послабте ручку керування ріжучим полотном і повільно витягніть пусковий шнур із двигуна. Засуньте пусковий шнур у фіксатор пускового шнура на ручці.

### Транспортування

Вимкніть двигун і дайте йому охолонути. Потім від'єднайте дріт свічки запалювання і спорожніть паливний бак відповідно до інструкції з експлуатації двигуна. Не погніть і не пошкодуйте ріжуче полотно під час пересування газонокосарки через перешкоди.

### 13. УСУНЕННЯ НЕСПРАВНОСТЕЙ

ПРОБЛЕМА	МОЖЛИВА ПРИЧИНА	ЗАХОДИ З УСУНЕННЯ НЕСПРАВНОСТІ
Двигун не запускається.	Важіль дроселювання знаходиться у неправильному положенні для робочих умов.	Пересуньте важіль дроселювання у правильне положення.
	Паливний бак порожній.	Наповніть бак паливом: зверніться до ІНСТРУКЦІЇ З ЕКСПЛУАТАЦІЇ ДВИГУНА.
	Повітроочисник забруднений.	Почистіть повітроочисник: зверніться до ІНСТРУКЦІЇ З ЕКСПЛУАТАЦІЇ ДВИГУНА.
	Свічка запалювання послаблена.	Затягніть свічку запалювання із крутним моментом у 25–30 Нм.
	Дріт свічки запалювання послаблений або від'єднався від свічки.	Під'єднайте дріт до свічки запалювання.
	Неправильний зазор між електродами свічки запалювання.	Установіть зазор між електродами від 0,7 мм до 0,8 мм.
	Свічка запалювання пошкоджена.	Установіть нову свічку із правильним зазором між електродами: зверніться до ІНСТРУКЦІЇ З ЕКСПЛУАТАЦІЇ ДВИГУНА.
	Карбюратор заповнений паливом.	Зніміть повітроочисник і тягніть пусковий шнур доти, доки карбюратор не звільниться від пального, а потім установіть повітроочисник на місце.
	Пошкодження в модулі запалювання.	Зверніться до авторизованого сервісного центру МАКІТА.
Двигун важко запускається або втрачає потужність.	У паливному баку бруд, вода або пальне низької якості.	Злийте пальне та почистіть бак. Заповніть бак чистим свіжим паливом.
	Вентиляційний отвір у кришці паливного баку забруднений.	Почистіть або замініть кришку паливного баку.
	Повітроочисник забруднений.	Почистіть повітроочисник.
Двигун працює нерівномірно.	Свічка запалювання пошкоджена.	Установіть нову свічку із правильним зазором між електродами: зверніться до ІНСТРУКЦІЇ З ЕКСПЛУАТАЦІЇ ДВИГУНА.
	Неправильний зазор між електродами свічки запалювання.	Установіть зазор між електродами від 0,7 мм до 0,8 мм.
	Повітроочисник забруднений.	Почистіть повітроочисник: зверніться до ІНСТРУКЦІЇ З ЕКСПЛУАТАЦІЇ ДВИГУНА.
Неналежний холостий хід двигуна.	Повітроочисник забруднений.	Почистіть повітроочисник: зверніться до ІНСТРУКЦІЇ З ЕКСПЛУАТАЦІЇ ДВИГУНА.
	Отвори для повітря у кожусі двигуна заблоковані.	Очистіть отвори від забруднення.
	Охолоджувальні пластини і проходи для повітря під корпусом вентилятора двигуна заблоковані.	Очистіть охолоджувальні пластини і проходи для повітря від забруднення.
Двигун перескакує на високу швидкість.	Зазор між електродами свічки запалювання замалий.	Установіть зазор між електродами від 0,7 мм до 0,8 мм.
Двигун перегрівається.	Обмежений потік охолоджувального повітря.	Очистіть кожух двигуна, корпус вентилятора та проходи для повітря від забруднення.
	Неправильна свічка запалювання.	Якщо використовується PLM4120N, установіть на двигун свічку запалювання RC12YC або QC12YC та охолоджувальні пластини. Якщо використовується PLM4620N, установіть на двигун свічку запалювання RJ19LMC та охолоджувальні пластини.
Газонокосарка незвично вібрає.	Ріжуче полотно не затягнуте.	Затягніть ріжуче полотно.
	Ріжуче полотно не збалансоване.	Збалансуйте ріжуче полотно.

## 14. ДОВКІЛЛЯ

Якщо після тривалого використання Вам потрібний новий інструмент, не викидайте старий із домашнім сміттям, а дайте його до спеціального центру прийому старих інструментів.

### Тільки для країн Європи

#### Декларація про відповідність стандартам ЄС

#### Мakita декларує, що наступне обладнання:

позначення обладнання:

Бензинова газонокосарка

№ моделі/тип: PLM4120N, PLM4620N

технічні характеристики: див. розділ "4. ТЕХНІЧНІ ДАНІ"

#### відповідає таким Європейським директивам:

2004/108/ЄС, 2006/42/ЄС, 2000/14/ЄС та 2005/88/ЄС

та виготовлене відповідно до таких стандартів або стандартизованих документів:

EN ISO 5395-1, EN ISO 5395-2, EN ISO 14982

Технічна документація відповідає 2006/42/ЄС та зберігається за адресою:

Makita, Jan-Baptist Vinkstraat 2, 3070, Бельгія

Процедура оцінювання відповідності, якої вимагає Директива 2000/14/ЄС, відбулася відповідно до Додатку VI.

Уповноважений орган:

TÜV SÜD Industrie Service GmbH

Westendstrasse 199, D-80686 München, Німеччина

Ідентифікаційний номер: 0036

PLM4120N

Вимірний рівень звукової потужності: 93,4 дБ

Гарантований рівень звукової потужності: 96 дБ

PLM4620N

Вимірний рівень звукової потужності: 93,6 дБ

Гарантований рівень звукової потужності: 96 дБ

22.8.2014



Ясуші Фукая

Директор

Makita, Jan-Baptist Vinkstraat 2, 3070, Бельгія

## 13. عیب یابی

مشکل	علت احتمالی	اقدام اصلاحی
موتور روشن نمی شود.	گوه کنترل برای شرایط معمولی در موقعیت صحیح قرار ندارد.	گوه بستن درجه را به موقعیت صحیح حرکت دهید.
	مخزن بنزین خالی است.	مخزن را با سوخت پر کنید: به دفترچه راهنمای مالک موتور مراجعه کنید.
	المنت فیلتر هوا کثیف است.	المنت فیلتر هوا را تمیز کنید: به دفترچه راهنمای مالک موتور مراجعه کنید.
	شمع شل شده است.	شمع را به 25 - 30 نیوتن متر محکم کنید.
	سیم شمع شل شده است یا از شمع قطع شده است.	سیم شمع را روی شمع نصب کنید.
	شکاف شمع اشتباه است.	شکاف بین الکترودها را بین 0.7 تا 0.8 میلی متر تنظیم کنید.
	شمع خراب است.	شمع جدید، با شکاف های درست تنظیم شده را نصب کنید: به دفترچه راهنمای مالک موتور مراجعه کنید.
	المنت فیلتر هوا را برداشته و ریسمان شروع کننده را به طور پیوسته بکشید تا کاربراتور تمیز شود و سپس المنت فیلتر هوا را نصب کنید.	المنت فیلتر هوا را تمیز کنید.
	اتاقک احتراق معیوب است.	با مرکز خدمات مجاز Makita تماس بگیرید.
	موتور به سختی روشن می شود یا قدرتش را از دست می دهد.	مخزن بنزین کثیف، پر آب، یا کهنه شده است. سوراخ تهویه در مخزن سوخت مسدود شده است.
موتور به صورت نامنظم کار می کند.	المنت فیلتر هوا کثیف است.	المنت فیلتر هوا را تمیز کنید.
	شمع خراب است.	شمع جدید، با شکاف های درست تنظیم شده را نصب کنید: به دفترچه راهنمای مالک موتور مراجعه کنید.
	شکاف شمع اشتباه است.	شکاف بین الکترودها را بین 0.7 تا 0.8 میلی متر تنظیم کنید.
موتور در حالت خلاص، ضعیف عمل می کند.	المنت فیلتر هوا کثیف است.	المنت فیلتر هوا را تمیز کنید: به دفترچه راهنمای مالک موتور مراجعه کنید.
	شکاف های هوای پوشش موتور بسته شده اند.	آشغال و ذرات اضافی را از شیارها خارج کنید.
	پروانه های خنک کننده و گذرگاه های هوای زیر بدنه دمنده موتور بسته شده اند.	خاک و ذرات را از روزنه های خنک کننده و گذرگاه های هوا پاک کنید.
موتور در سرعت بالا پرش می کند.	فاصله بین الکترودهای شمع خیلی نزدیک است.	شکاف بین الکترودها را بین 0.7 تا 0.8 میلی متر تنظیم کنید.
موتور بیش از حد داغ می شود.	جریان هوای خنک کننده محدود شده است.	هرگونه خاک و ذرات را از پوشش، بدنه دمنده و گذرگاه های هوا پاک کنید.
	شمع اشتباه است.	برای PLM4120N، شمع RC12YC یا QC12YC و پره های خنک کننده روی موتور نصب کنید. برای PLM4620N، شمع و پره های خنک کننده RJ19LMC را روی موتور نصب کنید.
	قطعات برش به صورت شل سرهم شده است.	پره را محکم کنید.
ماشین چمن زنی به صورت غیر عادی می لرزد.	قطعات برش به صورت غیر متوازن سرهم شده است.	پره را متوازن کنید.

## 14. محیط زیست

اگر ماشین شما پس از استفاده دراز مدت نیاز به جایگزین شدن داشت، آن را در زیانه های داخلی قرار ندهید بلکه آن را به صورتی که برای محیط زیست ایمن باشد دفع کنید.

که روی پره نشان دار شده (MAKITA 263001433 برای PLM4120N؛ MAKITA 263001451 برای PLM4620N) استفاده کنید (برای سفارش پره، به فروشنده محل خود رفته یا به شرکت ما زنگ بزنید).

3. برای جلوگیری از خوردگی کمی گریس به برش دهنده بزنید.
4. چمن زن را در مکانی خشک، تمیز و مکانی که در برابر یخ زدگی محافظت شود، و دور از دسترس افراد غیرمجاز قرار دهید.



**هشدار:** پره در حال چرخش را لمس نکنید.

#### 4-11 موتور

برای دستورالعمل‌های نگهداری موتور، به دفترچه راهنمای جداگانه موتور مراجعه کنید.

روغن موتور را همانطوری نگه دارید، که در دفترچه راهنمای جداگانه موتور که با واحد شما بسته بندی شده، آموزش داده شده است.

دستورالعمل‌ها را با دقت خوانده و دنبال کنید.

فیلتر هوا را طبق دفترچه راهنمای موتور، تحت شرایط نرمال سرویس کنید. تحت شرایط پرگرد و غبار، هر چند ساعت تمیز کنید. معمولاً کارایی ضعیف موتور و نشسته شدن نشان دهنده آن است که فیلتر هوا باید سرویس شود.

برای سرویس فیلتر هوا، به دفترچه راهنمای جداگانه موتور که با واحد شما بسته بندی شده مراجعه کنید.

شمع باید یک بار در هر فصل تمیز شود و شکاف آن دوباره تنظیم شود. جایگزینی شمع در آغاز هر فصل چمن زنی توصیه می‌شود؛ برای نوع درست و مشخصات شکاف، دفترچه راهنمای موتور را بررسی کنید.

موتور را با یک پارچه با برس به طور مرتب تمیز کنید.

برای امکان چرخش مناسب هوا که برای کارایی و عمر

موتور ضروری است، سیستم خنک کننده (ناحیه بنده دمنده) را تمیز نگه دارید. مطمئن شوید که چمن، خاک و ذرات قابل اشتعال را از ناحیه صدا خفه کن جدا کنید.

## 12. دستورالعمل‌های انبار کردن (فصل)

### عدم استفاده)

گام‌های زیر باید برای آماده‌سازی ماشین چمن زنی برای انبار کردن برداشته شوند.

1. بعد از اتمام آخرین چمن زدن فصل، باک را خالی کنید.  
(a) باک بنزین را با یک پمپ مکش خالی کنید.



**احتیاط:** بنزین را در اتاق‌های دربسته، در مجاورت آتش باز و غیره تخلیه نکنید. از استعمال دخانیات خودداری کنید! بخارات بنزین می‌توانند باعث انفجار یا آتش سوزی شوند.

(b) موتور را راه اندازی کرده و بگذارید کار کند تا اینکه تمام بنزین را مصرف کرده و موتور خودبخود خاموش شود.

(c) شمع را بردارید. از یک روغن دان استفاده کرده و حدوداً 20 میلی لیتر روغن در محفظه احتراق بریزید.

استارت بزنید تا روغن بطور یکنواخت در محفظه احتراق پخش شود. شمع را در جای خود قرار دهید.

2. چمن زن را با دقت و مطابق با توضیحات فوق در بخش "دستورالعمل‌های روغن کاری" تمیز کرده و گریس بزنید.



#### احتیاط:

پیش از اینکه چمن زن را برای نگهداری قرار دهید، باید موتور بطور کامل خنک شده باشد.



#### توجه:

هنگام انبار کردن هرگونه تجهیزات قدرت در یک فضای فاقد تهویه یا انبار مواد؛

- باید با دقت به ضد زنگ کردن مواد اقدام شود. با استفاده از یک روغن سبک یا سیلیکون، تجهیزات را، بخصوص کابل‌ها و تمام قسمت‌های متحرک را بپوشانید.
- مراقب باشید تا کابل‌ها تا نشده یا گره نخورند.
- اگر ریسمان شروع کننده از دسته یا ریسمان راهنما قطع شد، سیم شمع را قطع و جدا کنید، دسته کنترل پره را فشار دهید و ریسمان راهنما را به آرامی بکشید و از موتور خارج کنید. ریسمان شروع کننده را درون پیچ ریسمان راهنمای روی دسته بلغزانید.

#### حمل و نقل

موتور را خاموش کرده و بگذارید موتور خنک شود. سپس سیم شمع را جدا کرده و باک سوخت را مطابق با دستورالعمل‌های ذکر شده در دفترچه راهنمای موتور خالی کنید. هنگام هل دادن چمن زن از روی موانع دقت کنید تا قسمت برنده را خم نکرده و با آسیبی به آن نرسانید.

## 9. دستورالعمل های نگهداری

### شمع

فقط از شمع جایگزین اصل استفاده کنید. برای بهترین نتیجه، شمع را پس از هر 100 ساعت استفاده جایگزین کنید. (به دفترچه راهنمای مالک موتور مراجعه کنید)

### لنت های ترمز

لنت های ترمز موتور را بطور مرتب نزد یک نماینده خدماتی بازدید و/یا تعویض کنید، برای جایگزینی فقط باید از قطعات اصل استفاده شود.

## 10. دستورالعمل های روغن کاری



- احتیاط:** پیش از اقدام به سرویس، شمع را قطع کنید.
1. چرخ ها- بلبرینگ های هر چرخ را حداقل یکبار در هر فصل با یک روغن سبک، روغن کاری کنید.
  2. موتور- برای دستورالعمل های روغن کاری، دفترچه راهنمای موتور را دنبال کنید.
  3. توقف حداقل یکبار در هر فصل، نقاط سطح محوری روی دسته توقف و کابلان را با یک روغن سبک، روغن کاری کنید. کنترل توقف باید آزادانه در هر دو جهت کار کند.

## 11. تمیز کردن



- احتیاط:** موتور را آب پاشی نکنید. آب می تواند به موتور آسیب برساند یا سیستم سوخت را آلوده کند.
1. بدنه را با پارچه خشک تمیز کنید.
  2. زیر بدنه را با کج کردن ماشین چمن زنی، به طوری که شمع بالا باشد آب پاشی کنید.

### 1-11 فیلتر هوای موتور



**احتیاط:** اجازه ندهید که آلودگی، المنت پوشال فیلتر هوا را مسدود کند.

المنت فیلتر هوای موتور باید پس از 25 ساعت چمن زنی عادی سرویس (تمیز) شود. اگر ماشین چمن زنی در شرایط خشک پر گرد و غبار مورد استفاده قرار می گیرد، المنت پوشال باید به طور مرتب سرویس شود. (به دفترچه راهنمای مالک موتور مراجعه کنید)

### تمیز کردن فیلتر هوا

1. برای PLM4120N: دکمه های روی درپوش فیلتر را بالا ببرید.
2. برای PLM4620N: پیچ را باز کنید.
3. درپوش را بردارید.
4. المنت فیلتر را در آب کف دار بشویید. از گازونیل استفاده نکنید!
5. المنت فیلتر را در معرض هوا خشک کنید.
6. چند قطره روغن SAE30 را روی پوشال فیلتر ریخته و آن را محکم فشار دهید تا روغن اضافی خارج شود.

6. فیلتر را دوباره نصب کنید.

7. قاب فیلتر را ببندید.



**توجه:** اگر فیلتر ساییده شده، پاره شده، آسیب دیده یا قابل تمیز کردن نیست، آن را جایگزین کنید. (شکل 25 برای PLM4120N)

### 2-11 پره برنده



**احتیاط:** برای پیشگیری از روشن شدن تصادفی موتور، مطمئن شوید که پیش از کار کردن روی پره برنده، شمع را قطع و خارج کنید. با استفاده از دستکش های ضخیم یا یک تکه کهنه، هنگام گرفتن پره های برنده، از دستان خود محافظت کنید.

ماشین چمن زنی را همانطور که در دفترچه راهنمای جداگانه موتور مشخص شده، کج کنید. پیچ و واشر را که پره و رابط پره را به میل لنگ موتور متصل می کنند بردارید. پره و رابط را از میل لنگ جدا کنید.



**هشدار:** به طور منظم پره را برای ترک واریسی کنید، بخصوص اگر به یک جسم خارجی برخورد کردید. در صورت لزوم، آن را جایگزین کنید.

برای بهترین نتیجه، پره باید تیز باشد. پره می تواند با جدا کردن و ساییدن یا سوهان کاری لبه، با حفظ تورب اصلی تا جای ممکن، دوباره تیز شود. بسیار مهم است که هر لبه برش، مقداری مستوی سایش را دریافت کند تا از نامتوازن شدن پره جلوگیری شود. توازن نامناسب پره باعث لرزش بیش از حد شده و موجب آسیب احتمالی به موتور و ماشین چمن زنی می شود. پس از تیز کردن، مطمئن شوید که پره را با دقت متوازن کنید. توازن پره می تواند روی یک آچار محوری مورد آزمایش قرار بگیرد. فلز را از سمت سنگین تر بردارید تا در نهایت متوازن شود. (شکل 26)

پیش از سرهم کردن دوباره پره و رابط پره روی واحد، میل لنگ موتور و سطح درونی رابط پره را با روغن سبک، روغن کاری کنید. رابط پره را بر میل لنگ نصب نمایید. به شکل 26 مراجعه کنید. پره را طوری قرار دهید که شماره قسمت آن، دور از رابط قرار بگیرد. واشر را روی پره همتراز کرده و پیچ را وارد کنید. پیچ را با گشتاور فهرست شده در پایین، محکم کنید.

### 3-11 گشتاور نصب پره

پیچ مرکزی باید با گشتاور 35 - 45 نیوتن متر محکم شود. برای تضمین کارکرد ایمن واحد خود، تمام پیچ و مهره ها باید برای سفتی مناسب، در فواصل زمانی معین بررسی شوند. پس از استفاده طولانی مدت، بخصوص در شرایط شن و خاک آلود، پره فرسوده خواهد شد و بخشی از شکل اصلی خود را از دست خواهد داد. کارایی برش کم شده و پره باید جایگزین گردد.

فقط با یک پره جایگزین مورد تأیید کارخانه جایگزین کنید. آسیب احتمالی که از شرایط نامتوازن ایجاد شده باشد، در مسئولیت تولید کننده قرار ندارد. هنگامی که پره را جایگزین می کنید، باید از نوع اصلی

### 3-8 روندهای عملیاتی

در حین عملیات، دسته کنترل توقف را با هر دو دست محکم بگیرید.

**توجه:** در حین عملیات، هنگامی که دسته کنترل توقف را می‌شود، موتور متوقف خواهد شد و بنابراین ماشین چمن زنی را از کار متوقف می‌کند.

**هشدار:** به منظور جلوگیری از هرگونه روشن شدن ناخواسته چمن زن، دستگاه مجهز با یک ترمز موتور ارائه می‌شود که می‌بایست برای روشن کردن موتور آنرا به عقب کشید. هنگامی که اهرم کنترل موتور را می‌کشید باید به وضعیت اولیه خود باز گردد، و در آن زمان موتور بطور خودکار خاموش خواهد شد.

**توجه:** ترمز موتور (دسته ترمز): از اهرم برای متوقف کردن موتور استفاده کنید. هنگامی که اهرم را می‌کشید، موتور و تیغه بطور خودکار متوقف می‌شوند. برای چمن زنی، اهرم را در وضعیت کاری نگه دارید. پیش از شروع چمن زنی، اهرم شروع/توقف را چند بار بررسی و امتحان کنید تا از کارکرد صحیح آن اطمینان حاصل نمایید. اطمینان حاصل کنید که می‌توان براحتی با کابل کنش کار کرد (یعنی بعنوان مثال به هیچ ترتیبی به جایی گیر نکرده یا پیچ و تاب نخورده است).

### 4-8 متوقف کردن موتور

**احتیاط:** پس از خاموش کردن موتور، پره تا چند ثانیه به چرخش ادامه می‌دهد.

1. برای متوقف کردن موتور و پره، دسته کنترل توقف را رها کنید.
2. هنگامی که ماشین بدون مراقب است، برای جلوگیری از روشن شدن تصادفی، شمع را همانطور که در دفترچه راهنمای جداگانه موتور آموزش داده شده است، قطع کرده و جدا کنید.

### 5-8 برای بهترین نتیجه در حین چمن زنی

چمن را از خاک و ذرات پاک کنید. مطمئن شوید که چمن از سنگ، چوب، سیم یا سایر اجسام خارجی که می‌توانند به طور تصادفی به وسیله ماشین چمن زنی در هر جهتی پرتاب شده و باعث جراحت شخصی به بکارگیرنده و سایرین و نیز آسیب به داری و اجسام اطراف شوند، خالی است. چمن خیس را نبرید. برای چمن زنی کارا، چمن خیس را نبرید زیرا به قسمت پایینی عرشه می‌چسبد و مانع چمن زنی مناسب بریده‌های چمن می‌شود. بیش از 3/1 طول چمن را نبرید. برش توصیه شده برای چمن زنی 3/1 طول چمن است. سرعت زمینی نیاز به تنظیم دارد تا بریده‌های چمن بتوانند به صورت یکپارچه بر چمن پخش شوند. برای برش‌های خیلی سنگین در چمن انبوه، ممکن است لازم باشد که برای حصول یک برش تمیز خوب چمن زده شده، از یکی از آهسته‌ترین سرعت‌ها استفاده شود. هنگام چمن زنی چمن بلند، ممکن است مجبور شوید چمن را به دو گذار تقسیم کرده، و برای

برش دوم، پره را 3/1 دیگر پایین آورده و برش را با الگوی متفاوت از آنکه در بار اول استفاده شد انجام دهید.

همپوشانی اندک برش در هر گذار، به تمیز کردن برش‌های جامانده بر چمن کمک خواهد کرد. ماشین چمن زنی باید برای حصول بهترین برش و امکان انجام کارا ترین عمل چمن زنی، همیشه با کنترل بنزین حداکثر بکار گرفته شود.

برای پرهیز از تجمع چمن که ممکن است از مالچ پاشی مناسب جلوگیری کند، مطمئن شوید که سطح زیرین بدنه برنده را پس از هر استفاده تمیز کنید.

چمن زنی برگ‌ها: چمن زنی برگ‌ها نیز می‌تواند برای چمن‌ها سودمند باشند. هنگام چمن زنی برگ‌ها، مطمئن شوید که خشک هستند و ضخامت زیادی روی چمن ندارند. برای چمن زنی، منظر ریختن تمام برگ‌ها از درختان نشوید.

**هشدار:** اگر با یک جسم خارجی برخورد کردید، موتور را خاموش کنید. سیم را از شمع خارج کنید، ماشین چمن زنی را به طور کامل برای هرگونه آسیب و ارسای کرده و پیش از شروع مجدد و بکارگیری ماشین چمن زنی، آسیب را تعمیر کنید. ارزش بیش از حد ماشین چمن زنی در حین بکارگیری، یک نشانه آسیب است. واحد باید بی‌درنگ مورد و ارسای قرار گرفته و تعمیر شود.

### 6-8 چمن گیر

کیسه را خالی و تمیز کنید، مطمئن شوید که تمیز باشد و تضمین کنید که توری آن به درستی تهبوی می‌شود. (شکل 23)

### 7-8 بدنه

سطح زیرین بدنه ماشین چمن زنی باید برای پیشگیری از جمع شدن بریده‌های چمن، برگ، خاک یا سایر مواد، پس از هر استفاده تمیز شود. اگر خاک و ذرات اجازه انباشته شدن پیدا کند، باعث جذب زنگ و خوردگی خواهد شد، و ممکن است از مالچ پاشی مناسب جلوگیری کند. بدنه می‌تواند با کج کردن ماشین چمن زنی و تراشیدن با یک ابزار مناسب تمیز شود (مطمئن شوید که سیم شمع قطع شده باشد).

### 8-8 دستورالعمل‌های تنظیم ارتفاع

**احتیاط:** هرگز هیچگونه تنظیمی را بدون اینکه اول موتور را متوقف، و سیم شمع را قطع کنید انجام ندهید.

**احتیاط:** پیش از تغییر دادن ارتفاع چمن زنی، ماشین چمن زنی را متوقف کرده و کابل شمع را قطع کنید. ماشین چمن زنی شما به یک اهرم مرکزی تنظیم ارتفاع مجهز است که 5 موقعیت ارتفاع را عرضه می‌کند.

1. بیش از تغییر دادن ارتفاع برش، ماشین چمن زنی را متوقف کرده و کابل شمع را قطع کنید.
2. اهرم مرکزی تنظیم ارتفاع به شما 5 موقعیت مختلف ارتفاع را عرضه می‌کند.
3. برای تغییر دادن ارتفاع برش، اهرم تنظیم را به سمت چرخ فشار دهید، و برای تنظیم ارتفاع، به بالا یا پایین حرکت دهید (شکل 24). تمام چرخ‌ها در ارتفاع برش یکسانی قرار خواهند گرفت.





**هشدار:** سمت چپ و سمت راست دسته پایینی باید با ارتفاع یکسان تنظیم شود.

## 7. 2 IN 1

این ماشین چمن زنی علفزارها بسته به هدف استفاده می توانند علاوه بر عملکردهای عادی، به موتردی دیگر نیز مجهز گردند:

از ماشین چمن زنی علفزار با تخلیه عقب و ماشین چمن زنی مالچ پاش.

مالچ پاشی چیست؟

هنگام مالچ پاشی، چمن در یک مرحله کاری بریده شده، سپس به صورت بسیار ریز قطعه قطعه می شود و به عنوان یک کود طبیعی، به آن قطعه چمن بازگردانده می شود.

اشاره هایی برای چمن زنی مالچ پاشی:

- برش، به طور منظم تا حداکثر 2 سانتی متر از ارتفاع 4 تا 6 سانتی متری چمن است.
- از یک تیغه برش نیز استفاده کنید.
- چمن نیس را چمن زنی نکنید.
- سرعت موتور را روی حداکثر تنظیم کنید.
- فقط با سرعت کارآمد چمن زنی کنید.
- گوه مالچ پاشی، بدنه، قسمت داخلی و پره چمن زنی را به طور مرتب تمیز کنید.

## ONE: تقویت ماشین چمن زنی مالچ پاش



**هشدار:** فقط با موتور متوقف شده و برنده بی حرکت.

1. پوشش پشتی را بلند کرده و چمن گیر را بردارید.
2. گوه مالچ پاشی را فشار داده و وارد بدنه کنید. گوه مالچ پاشی را با دکمه به داخل دهانه روی بدنه قفل کنید. (شکل 18، شکل 19)
3. دوباره پوشش پشتی را پایین بیاورید.

## TWO: چمن زنی با چمن گیر

1. برای چمن زنی با چمن گیر، گوه مالچ را برداشته و چمن گیر را بگذارید.
  2. برداشتن گوه مالچ.
- پوشش عقب را بلند کرده و گوه مالچ را بردارید.



**هشدار:** فقط با موتور متوقف شده و برنده بی حرکت.

## 8. دستورالعمل های عملیاتی

### 1-8 پیش از شروع کردن

موتور را همانطور که در دفترچه راهنمای موتور جداگانه همراه با ماشین چمن زنی شما آموزش داده شده است، با گازونیل و روغن سرویس کنید. دستورالعمل ها را با دقت مطالعه کنید.



**هشدار:** بنزین به شدت قابل اشتعال است.

سوخت را در مخزن هایی که به طور اختصاصی برای این منظور طراحی شده اند ذخیره کنید.

پیش از روشن کردن موتور، فقط در فضای آزاد سوختگیری کنید و در حین سوختگیری یا بکاربردن سوخت، سیگار نکشید.

هرگز درپوش مخزن سوخت را برندارید یا بنزین را در حالی که موتور در حال کار کردن است یا موتور داغ است اضافه نکنید.

اگر بنزین بیرون ریخت، موتور را روشن نکنید، بلکه ماشین را از ناحیه ریختگی دور کرده و تا پراکنده شدن بخارات بنزین، از ایجاد هرگونه منبع احتراق دوری کنید.

همه درپوش های مخزن و محافظه سوخت را به صورت ایمن جایگزین کنید.

پیش از واژگون کردن ماشین چمن زنی برای نگهداری پره یا خالی کردن روغن، سوخت را از مخزن خارج کنید.



**هشدار:** سوخت را هرگز در فضای بسته، درحین کار کردن موتور یا پیش از اجازه دادن به موتور برای خنک شدن پس از کار برای حداقل 15 دقیقه، پر نکنید.

### 2-8 روشن کردن موتور و درگیر کردن پره

1. این واحد مجهز به یک میخ لاستیکی در انتهای شمع است، مطمئن شوید که حلقه فلزی در انتهای سیم شمع (داخل میخ لاستیکی) به شکلی ایمن دور نوک فلزی بر شمع بسته شده است.
2. لامپ مقدم را قبل از روشن کردن 3-5 بار فشار دهید. (شکل 20)
3. هنگام روشن کردن موتور سرد، اهرم بستن دریچه را به موقعیت "چپ" بچرخانید. هنگام روشن کردن موتور گرم و بکارگیری آن، اهرم بستن دریچه را به موقعیت "چپ" بچرخانید. (شکل 21)
4. با ایستادن در پشت واحد، دسته کنترل توقف را گرفته و آن را همانطور که در شکل 22 نشان داده شده در برابر دسته بالایی نگه دارید.
5. دسته شروع کننده را همانطور که در شکل 22 نشان داده شده بگیرید و آن را با سرعت بکشید. پس از روشن شدن موتور، آن را به آرامی به پیچ ریسمان راهنما بازگردانید. برای متوقف کردن موتور و پره، دسته کنترل توقف را رها کنید.

موتور را با دقت، مطابق با دستورالعمل ها و به شکلی که پاها به خوبی از پره دور هستند روشن کنید.



هنگام روشن کردن موتور، ماشین چمن زنی را کج نکنید. ماشین چمن زنی را بر یک سطح هموار، فاقد چمن بلند یا موانع روشن کنید.



دست ها و پاهای خود را از قسمت های چرخان دور نگه دارید. هنگامی که در مقابل دهانه تخلیه ایستاده اید، موتور را روشن نکنید.



## 4. داده های فنی

مدل	PLM4120N	PLM4620N
نوع موتور	سری B&S 500E	سری B&S 625E
خود کشش	خیر	خیر
جایگذاری موتور	140 سم <sup>3</sup>	190 سم <sup>3</sup>
توان اسمی	1.9 کیلووات	2.4 کیلووات
پهنای پره	410 میلی متر	460 میلی متر
سرعت در حالت خلاص	2,800/دقیقه	2,800/دقیقه
ظرفیت مخزن سوخت	0.8 لیتر	1.0 لیتر
ظرفیت مخزن روغن	0.47 لیتر	0.6 لیتر
ظرفیت کیسه چمن گیر	50 لیتر	60 لیتر
وزن خالص	26.0 کیلوگرم	31.1 کیلوگرم
تنظیم ارتفاع	25 - 70 میلی متر، 5 تنظیم	25 - 70 میلی متر، 5 تنظیم
توان صوتی تضمینی در وضعیت کاربر (بر اساس EN ISO 5395-1 و EN ISO 5395-2، ضمیمه F، EN ISO 4871)	84.6 dB (A) (K = 3 dB (A))	83.5 dB (A) (K = 3 dB (A))
توان صوتی اندازه گیری شده	93.4 dB (A) (K = 1.93 dB (A))	93.6 dB (A) K = 2.47 dB (A)
توان صوتی تضمین شده (بر اساس 2000/14/EC)	96 dB(A)	96 dB(A)
ارتعاش (بر اساس EN ISO 5395-1 و EN ISO 5395-2، ضمیمه G)	5.27 متر/ثانیه <sup>2</sup> 1.5 متر/ثانیه <sup>2</sup>	5.738 متر/ثانیه <sup>2</sup> 1.5 متر/ثانیه <sup>2</sup>

## 5. سرهم کردن

### 1-5 سرهم کردن دسته تاشو

- (A) دسته های پایینی را همانطور که نشان داده شده، با برآمدگی قفل کننده، دو ست پیچ و واشر در داخل بدنه ثابت کنید. (شکل 3، شکل 4، شکل 5، شکل 6)
- (B) دسته های بالایی را برای تا کردن، رها کنید. دسته بالایی و پایینی را با دو ست پیچ و واشر و برآمدگی قفل کننده وصل کنید. (شکل 7، شکل 8، شکل 9)
- (C) همه کابل ها را در طول محور های دسته ها قرار دهید. آن ها را با استفاده از گیره های کابل، در اطراف میانه دسته های پایینی محکم کنید تا کابل ها در بیرون ماشین ثابت شوند. در غیر این صورت، کابل ها ممکن است با باز کردن/بستن پوشش عقبی فشرده شوند یا با تا کردن دسته بالایی تحت فشار قرار بگیرند. (شکل 10)

### 2-5 سرهم کردن چمن گیر

- سوار کردن: پوشش پستی را بالا برده و چمن گیر را در محور پشت ماشین چمن زنی بیاویزید. (شکل 11، شکل 12)
- برداشتن: پوشش پستی را گرفته و بلند کنید، چمن گیر را بردارید.

### 3-5 دسته شروع کننده

دسته شروع کننده را از موتور به ریسمان راهنما حرکت دهید.

(شکل 13، شکل 14)

### 4-5 ارتفاع برش

برای جدا کردن اهرم از چرخ دندانه دار، فشار رو به بالا وارد کنید. برای تنظیم ارتفاع، اهرم را به جلو یا عقب حرکت دهید.

(شکل 15 و بند 8-8)

### 6. تنظیم یک ارتفاع مناسب

- برآمدگی قفل کننده که بر دسته پایینی محکم شده را عقب بکشید. (شکل 16)
- به شکل 17 مراجعه کنید، دسته را به بالا و پایین حرکت داده، آن را به ارتفاع مناسب تنظیم کنید.
- تنظیم ارتفاع برای انتخاب در این نوع ماشین چمن زنی وجود دارد؛ در ارتفاع 1، دسته پایینی بالاترین ارتفاع را نسبت به زمین دارد، ارتفاع 3 کم ارتفاع ترین است.
- ارتفاع مناسب را تنظیم کنید، سپس دسته پایینی را با قفل کردن برآمدگی ها ثابت کنید.

- اگر ماشین چمن زنی هنگام گذر از سطوحی به غیر از چمن، باید کج شود، و هنگام جا به جایی ماشین چمن زنی به ناحیه ای که باید چمن زنی شود و برعکس، پره (ها) را متوقف کنید.
- هرگز از ماشین چمن زنی با محافظ های معیوب، یا بدون دستگاه های ایمنی، مانند منحرف کننده و یا چمن گیر، در جای خود، استفاده نکنید.
- احتیاط: در حالی که کل قسمت جمع کننده چمن یا حفاظ بسته شونده خودکار دهانه تخلیه در جای خود قرار ندارند نباید با چمن زن کار کرد.
- تنظیمات گاز موتور را تغییر ندهید یا بیش از حد از موتور استفاده نکنید.
- هیچیک از تنظیمات ثابت شده برای کنترل سرعت موتور را دستکاری نکرده یا تغییر ندهید.
- سیستم ها یا قابلیت های ایمنی چمن زن را نباید دستکاری یا غیرفعال کرد.
- پیش از روشن کردن موتور، تمام کلاچ ها و پره ها را خلاص کنید.
- موتور را با دقت، مطابق با دستورالعمل ها و به شکلی که پاها به خوبی از پره (ها) دور هستند روشن کنید.
- هنگام روشن کردن موتور، ماشین چمن زنی را کج نکنید. هنگامی که در مقابل مجرای تخلیه ایستاده اید، موتور را روشن نکنید.
- دستان یا پاهای خود را در نزدیکی قسمت های چرخان قرار ندهید. دهانه تخلیه را همیشه تمیز نگه دارید.
- هرگز ماشین چمن زنی را در حینی که موتور آن روشن است، بلند نکرده یا حمل نکنید.
- موتور را متوقف کرده و شمع را قطع کنید، مطمئن شوید که تمام قسمت های متحرک به توقف کامل رسیده اند و، در جایی که یک کلید جای گرفته است، کلید را خارج کنید:
  - پیش از پاک کردن مسدودیت ها یا باز کردن مجرا؛
  - پیش از بررسی، تمیز کردن یا کارکردن روی ماشین چمن زنی؛
  - پس از ضربه زدن به یک جسم خارجی. پیش از شروع مجدد و بکارگیری ماشین چمن زنی، ماشین چمن زنی را برای آسیب واریسی کرده و تعمیر کنید؛
  - اگر ماشین چمن زنی به شکل غیر عادی شروع به لرزیدن کند (بلافاصله بررسی کنید).
- موتور را متوقف کرده و شمع را قطع کنید، مطمئن شوید که تمام قسمت های متحرک به توقف کامل رسیده اند و، در جایی که یک کلید جای گرفته است، کلید را خارج کنید:
  - هرگاه که ماشین چمن زنی را ترک می کنید؛
  - پیش از سوختگیری.
- تنظیمات کنترل بنزین را هنگام خاموش کردن موتور کاهش دهید، و اگر موتور دارای یک شیر قطع کننده است، سوخت را در پایان چمن زنی قطع کنید.
- از ماشین چمن زنی فقط برای هدفی که برایش طراحی شده، یعنی بریدن و جمع آوری چمن، استفاده کنید. هرگونه استفاده دیگری می تواند خطرناک بوده، و باعث آسیب دیدن ماشین شود.

## نگهداری و انبار کردن

- برای اطمینان از اینکه تجهیزات در شرایط کار ایمن هستند، تمام مهره ها، پیچ ها و سرپیچ ها را محکم نگه دارید.

- هرگز تجهیزات را با بنزین داخل مخزن، در ساختمانی که گاز ها می توانند به شعله یا جرقه روباز برسند قرار ندهید.
- پیش از قرار دادن در هر محفظه یا محیط بسته ای، اجازه دهید موتور خنک شود؛ چمن زن را پیش از قرار دادن در محل نگهداری تمیز کرده و امور نگهداری آنرا انجام دهید.
- برای کاهش خطر آتش سوزی، موتور، صدا خفه کن، محفظه باتری و ناحیه ذخیره بنزین را عاری از هرگونه چمن، برگ یا روغن زیاد نگه دارید.
- چمن گیر را برای فرسودگی یا زوال، به طور متناوب بررسی کنید.
- برای ایمنی، قسمت های فرسوده یا آسیب دیده را جایگزین کنید.
- در صورت نیاز به خالی کردن مخزن بنزین، این کار باید در محوطه باز انجام شود.
- نگهداری نادرست، استفاده از اجزا و متعلقات جایگزین غیرسازگار، یا برداشتن یا اصلاح اجزا و متعلقات ایمنی می تواند به چمن زن آسیب رسانده و یا باعث جراحت دیدن و خیم کاربران شود.
- فقط از تیغه ها و قطعات پدکی توصیه شده توسط سازنده استفاده کنید. استفاده از قطعات غیراصل می تواند به دستگاه آسیب رسانده و باعث مجروح شدن کاربران گردد.
- چمن زن را در وضعیت کاری مناسب حفظ کنید.
- اگر وسیله متوقف کننده تیغه کار نمی کند، برای دریافت کمک با مرکز خدمات تماس بگیرید.

## حمل و کارکردن

- هر زمان که نیاز به کارکردن، بالابردن، حمل یا کج کردن ماشین را دارید، شما باید:
  - دستکش های کار قوی بپوشید؛
  - ماشین را در نقطه ای بگیرید که ایمن بوده و وزن ماشین بطور مناسبی توزیع گردد؛
  - استفاده از تعداد مناسبی از افراد که وزن و مشخصات ماشین را تحمل و درک کنند و از مشخصات مبداء و مقصد انتقال آگاهی داشته باشند.
- در خلال حمل، ماشین را با زنجیر و طناب محکم ببندید.



**هشدار:** پره در حال چرخش را لمس نکنید.



**هشدار:** سوختگیری را در ناحیه ای با تهویه مناسب و هنگام توقف موتور انجام دهید.

## 3. توضیح قطعات (شکل 1 و 2)

شامل

- A: آچار شمع
- B: گوه مالچ پاشی

## 2. مقررات ایمنی عمومی

• محیطی که قرار است دستگاه را در آن به کار ببرید با دقت بررسی کرده و کلیه اجسام، مانند سنگ ها، اسباب بازی ها، چوب ها و سیم ها که ممکن است توسط دستگاه پرتاب شوند را بردارید.

• هشدار- بنزین به شدت قابل اشتعال است.

- سوخت را در مخزن هایی که به طور اختصاصی برای این منظور طراحی شده اند ذخیره کنید؛

- در فضای باز سوختگیری را انجام دهید و هنگام سوختگیری سیگار نکشید؛

- سوخت را پیش از روشن کردن موتور اضافه کنید. هرگز درپوش مخزن سوخت را بردارید یا بنزین را در حالی که موتور در حال کار کردن است یا موتور داغ است اضافه نکنید.

- اگر بنزین بیرون ریخت، موتور را روشن نکنید، بلکه ماشین را از ناحیه ریختگی دور کرده و تا پراکنده شدن بخارات بنزین، از ایجاد هرگونه منبع احتراق دوری کنید؛

- درپوش های مخزن و محفظه سوخت را به صورت ایمن جایگزین کنید.

• صدا خفه کن های معیوب را جایگزین کنید.

• پیش از استفاده، همیشه واریسی کنید که پره، پیچ و مهره ها و قطعات موتراز شده دستگاه برش فرسوده یا آسیب دیده نباشند. برای حفظ تعادل، پره ها و پیچ های فرسوده یا آسیب دیده در مجموعه را جایگزین کنید.

• برای مطمئن شدن از عملکرد صحیح تمام اینترلاک های راه اندازی و کنترل های حضور کاربر، دستگاه را بطور مرتب بررسی کنید.

### بکارگیری

• موتور را درجایی که فضای محدود داشته و گاز های مونو اکسید کربن می توانند در آن جمع شوند، بکار نگیرید.

• موقی که خسته، بیمار یا تحت تاثیر نوشیدنی های الکلی یا سایر دارو ها و مواد هسندید از دستگاه استفاده نکنید.

• هشدار! اگر خطر رعد و برق وجود دارد از چمن زن استفاده نکنید.

• توصیه می شود مدت زمان کارکرد را محدود کنید تا خطرات ناشی از صدا و لرزش به حداقل کاهش داده شوند.

• هنگام استفاده از چمن زن در شیب ها و کنار پرتگاه ها، چاله ها و یا خاکریزها مراقب باشید.

• فقط در نور روز یا نور مصنوعی مناسب اقدام به چمن زنی کنید.

• در صورت امکان، از بکارگیری تجهیزات در چمن مرطوب خودداری کنید.

• همیشه از وضعیت مناسب خود در مناطق شیب دار مطمئن باشید.

• راه بروید، هرگز ننویید.

• برای ماشین های چرخ دار دوار، از عرض شیب ها چمن زنی کنید، نه به صورت بالا و پایین.

• هنگام تغییر جهت در شیب ها، احتیاط شدیدی را بکار بگیرید.

• سطح های بسیار شیب دار را چمن زنی نکنید.

• هنگام برعکس کردن یا کشیدن ماشین چمن زنی به سمت خود، احتیاط شدیدی را بکار گیرید.

**!** هشدار: هنگام استفاده از ابزارهای بنزین، احتیاط های ایمنی، شامل موارد زیر، باید همیشه دنبال شوند تا خطر جراحت جدی به شخص و یا به واحد کاهش یابد.

تمام این دستورالعمل ها را پیش از بکارگیری این محصول بخوانید و این دستورالعمل ها را برای مراجعه در آینده نگه دارید.

**!** هشدار: این ماشین در حین کارکرد، یک میدان الکترومغناطیسی ایجاد می کند. این میدان ممکن است در برخی شرایط با ایمپلنت های پزشکی فعال یا غیر فعال تداخل ایجاد نماید. برای کاهش دادن خطر آسیب جدی یا مرگبار، ما پیشنهاد می کنیم که افراد دارای ایمپلنت های پزشکی، پیش از به کارگیری این ماشین با پزشک خود و تولید کننده ایمپلنت پزشکی مشورت کنند.

### آموزش

• این دستورالعمل ها را با دقت بخوانید. با کنترل ها و استفاده درست از تجهیزات آشنا شوید.

آموزش توقف سریع موتور.

• ماشین چمن زنی را فقط مقاصد طراحی شده مانند بریدن و جمع آوری چمن استفاده نمایید. هرگونه استفاده دیگری می تواند خطرناک بوده، و باعث آسیب دیدن ماشین شود. مثال هایی از استفاده ناصحیح در زیر آورده می شوند هر چند این موارد شامل کلیه موارد نمی شوند:

- حمل کردن افراد، کودکان، یا حیوانات با ماشین؛

- سواری با ماشین؛

- استفاده از ماشین برای کشیدن یا هل دادن بار؛

- استفاده از ماشین برای جمع آوری برگ و آشغال؛

- استفاده از ماشین برای بریدن حصارها یا سبزیجاتی بجز علف؛

- بکار گرفتن ماشین توسط بیش از یک نفر؛

- استفاده از پره بر روی چیزی غیر از علف.

• هرگز به کودکان یا افراد نا آشنا یا این دستورالعمل ها اجازه استفاده از ماشین چمن زنی را ندهید. مقررات محلی می توانند سن بکارگیرنده را محدود کنند.

• در موارد زیر هرگز از ماشین چمن زنی استفاده نکنید:

- وقتی افراد، بویژه کودکان یا حیوانات نزدیک هستند؛

- اگر راننده دارو یا چیزی که هوشیاری عملکرد را پایین آورده است را استفاده نموده است.

• به یاد داشته باشید که بکارگیرنده یا کاربر، مسئول تصادف ها یا خطر هایی است که به سایر افراد یا دارایی هایشان وارد می شود.

• اپراتورها باید برای استفاده، تنظیم و کار با دستگاه، شامل کارکردهای غیرمجاز آموزش های مناسب و اصولی دیده باشند.

### آماده سازی

• در حین چمن زنی، همیشه کفش های محکم و شلوار بلند بپوشید. تجهیزات را، هنگامی که با پای برهنه هستید یا سندان های باز پوشیده اید بکار نگیرید.

## توضیح دیدگاه کلی

1. دسته فوقانی
2. دسته کنترل توقف
3. اهرم بستن دریچه
4. دسته شروع کننده
5. ریسمان راهنما
6. چمن گیر
7. اهرم تنظیم ارتفاع
8. بدنه
9. شمع
10. درپوش سوخت
11. درپوش روغن
12. گیره کابل
13. برآمدگی قفل کننده
14. سرعت بالا
15. سرعت آهسته

به دلایل ایمنی، چمن زن را نباید بعنوان واحد محرک سایر ابزارهای کاری یا هرگونه کیت ابزار دیگر استفاده کرد.



### 1. علامت های درج شده روی دستگاه (در قاب پشت)

دفترچه راهنمای بکارگیرنده را مطالعه کنید.



تماشاگران را دور نگه دارید.



برای پرهیز از جراحات، توجه بیشتری به دستان و پاهای بکارگیرنده کنید.



گازهای سمی؛ در داخل خانه بکار نگیرید.



سوخت قابل اشتعال است، آتش را از آن دور نگه دارید. هنگام کار ماشین، به آن سوخت اضافه نکنید.



هنگام چمن زنی، برای حفاظت از شخص چمن زن، لطفاً از عینک و گوشگیر استفاده کنید.



هنگام تعمیر، لطفاً شمع را برداشته، سپس آن را مطابق با دفترچه راهنمای عملیاتی تعمیر کنید.



احتیاط: موتور داغ است.



برای توقف موتور، دسته سوییچ را رها کنید.



برای حفظ ایمنی خود لطفاً این دفترچه راهنما را پیش از کار با دستگاه خود مطالعه کنید. عدم رعایت دستورالعمل ها می تواند منجر به بروز جراحات شخصی وخیم گردد. پیش از هر بار استفاده، زمان کوتاهی را اختصاص داده و با مشخصات دستگاه چمن زن خود آشنا گردید. این دفترچه راهنما را در مکانی محفوظ نگهداری کنید، تا همیشه بتوانید به اطلاعات دسترسی داشته باشید. اگر دستگاه را به دیگران می دهید، این دستورالعمل های کاربری و مقررات ایمنی را نیز به آنها بدهید.

### موارد استفاده

دستگاه فقط باید برای کارهایی استفاده شود که جهت انجام آنها طراحی شده است. هرگونه استفاده دیگر به منزله استفاده نادرست تلقی می گردد. در صورت بروز هرگونه خسارت یا جراحات بر اثر این امر مسئولیت آن متوجه کاربر/اپراتور خواهد بود، نه سازنده.

چمن زن بنزینی برای مصرف شخصی می باشد، یعنی بعنوان مثال استفاده خانگی و برای حیاط و باغچه ها.

استفاده شخصی از چمن زن به این معنی است که زمان کارکرد سالیانه دستگاه معمولاً از 50 ساعت فراتر نخواهد رفت، و در طی این مدت دستگاه اصولاً برای نگهداری باغچه های چمن کوچک خانگی و امور باغبانی تفننی بکار برده خواهد شد. استفاده در مراکز عمومی، سالن های ورزشی، امور کشاورزی/جنگل داری جزو آن نمی باشد. لطفاً توجه داشته باشید که دستگاه ما برای استفاده در کاربری های تجاری، صنفی یا صنعتی طراحی نشده است. اگر از دستگاه در کسب و کارهای تجاری، صنفی یا صنعتی و یا برای مقاصد مشابه استفاده شود، ضمانت ما باطل خواهد گردید.

دستورالعمل های راهبری ارائه شده توسط سازنده را باید نگهداری نمود و برای تضمین استفاده و نگهداری صحیح چمن زن به آن رجوع کرد. دستورالعمل ها حاوی اطلاعات بسیار ارزشمندی درباره شرایط کاری، نگهداری و سرویس می باشند.

مهم! به دلیل احتمال زیاد وارد آمدن جراحات بدنی به کاربر، چمن زن را نباید برای هرس کردن چمن های بلند، بته ها یا پرچین ها، بریدن گیاهانی که در ارتفاع یا روی دیوار رشد کرده اند، سقف های گیاه کاری شده، یا چمن رشد یافته در بالکن، تمیز کردن (جمع آوری) خاک و آشغال از پیاده روها، یا بریدن درخت یا کوتاه کردن پرچین ها استفاده کرد. علاوه بر این، چمن زن را نباید بعنوان کلتیواتور قوی برای صاف کردن ارتفاعات کوچک مانند تپه های کوچکی که موش های کور درست می کنند استفاده کرد.





**Makita** Jan-Baptist Vinkstraat 2, 3070, Belgium  
**Makita Corporation** Anjo, Aichi, Japan

PLM4120N-30L-1114

[www.makita.com](http://www.makita.com)

IDE