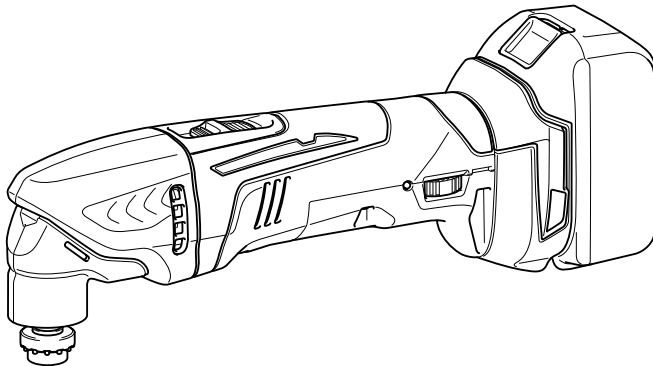
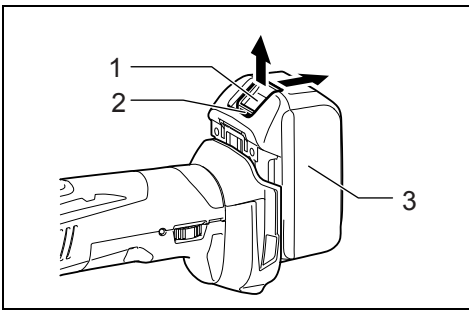




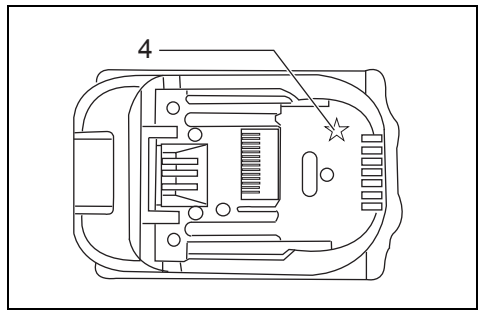
GB	Cordless Multi Tool	Instruction Manual
F	Outil Multi-Fonctions Sans Fil	Manuel d'instructions
D	Akku-Multifunktions-Werkzeug	Betriebsanleitung
I	Utensile multifunzione a batteria	Istruzioni per l'uso
NL	Snoerloze zaag- en schuurmachine	Gebruiksaanwijzing
E	Multitool Inalámbrica	Manual de instrucciones
P	Multicortadora Oscilante a Bateria	Manual de instruções
DK	Akku-multimaskine	Brugsanvisning
GR	Φορητό πολυεργαλείο	Οδηγίες χρήσεως
TR	Akülü Çok Fonksiyonlu Alet	Kullanma kılavuzu

BTM40
BTM50

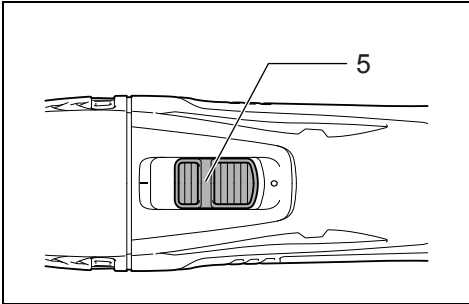




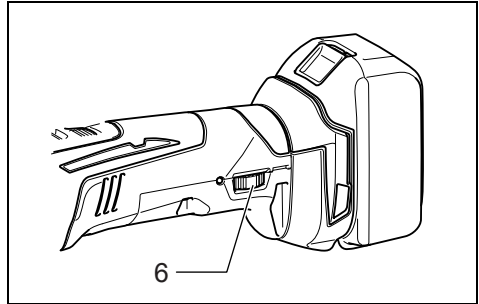
1 012765



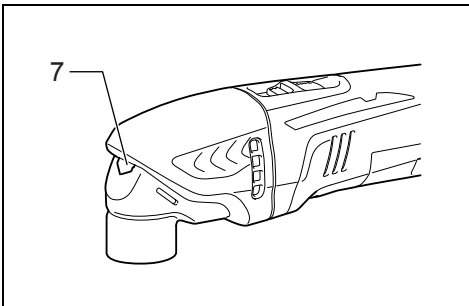
2 012128



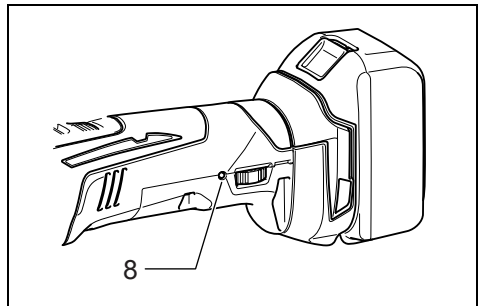
3 012768



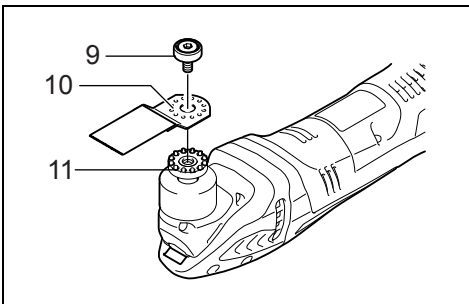
4 012770



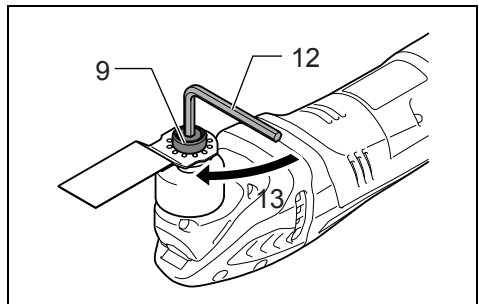
5 012779



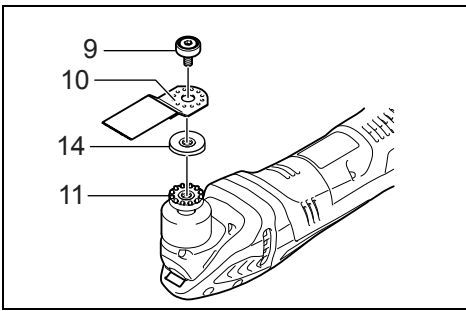
6 012771



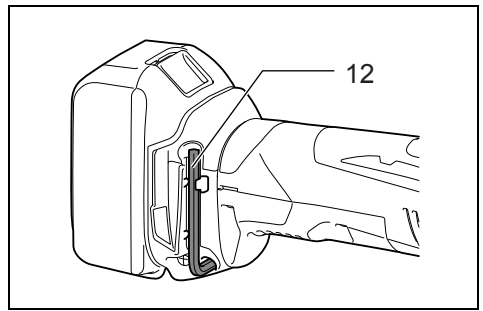
7 012826



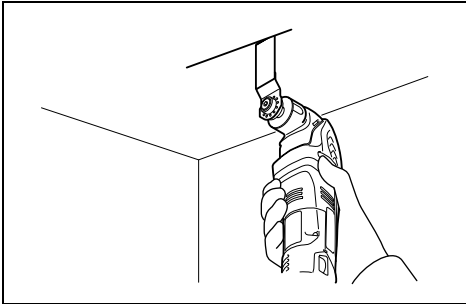
8 012777



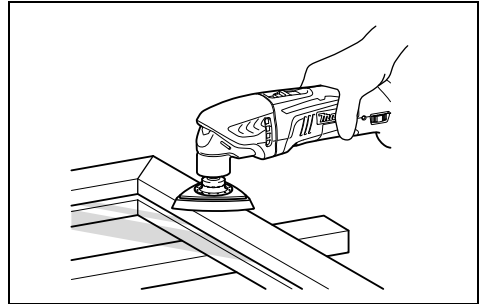
9 012847



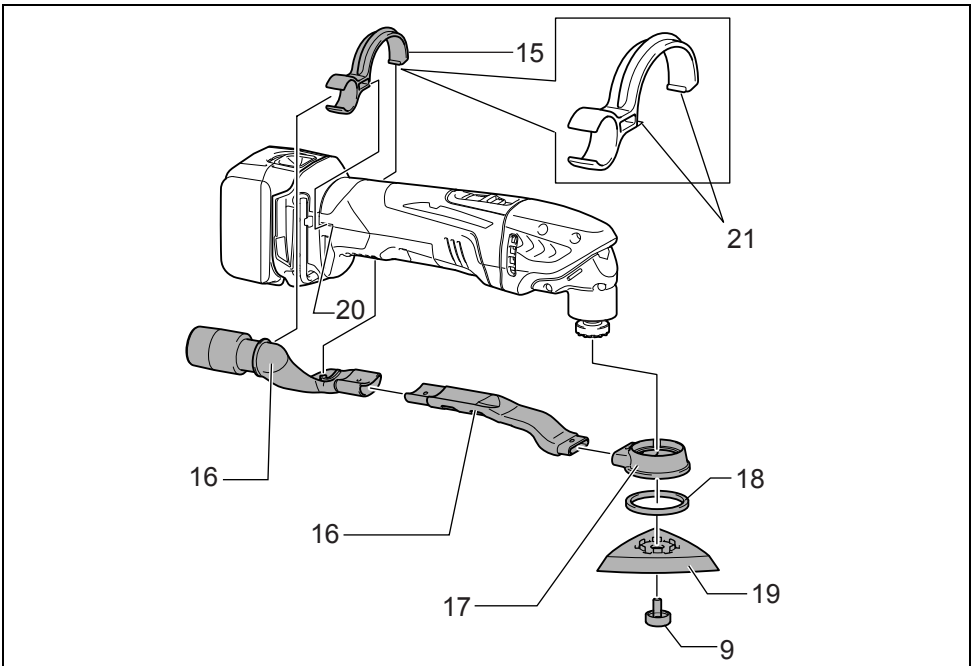
10 012766



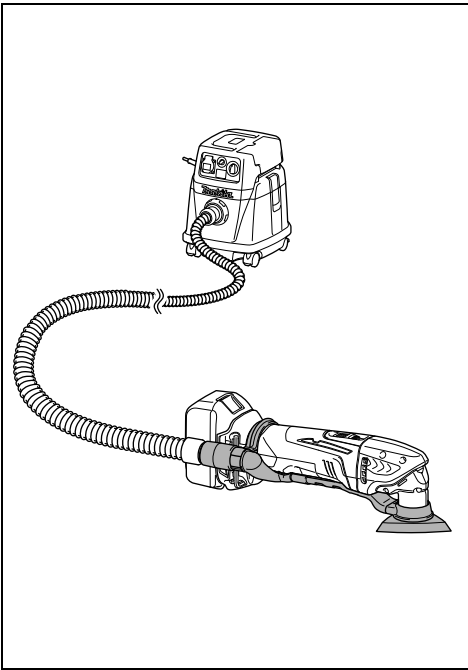
11 012801



12 012769



13 012778



14

012800

Explanation of general view

1 Button	9 Application tool installation bolt	16 Dust nozzle
2 Red indicator	10 Holes in the application tool	17 Dust attachment
3 Battery cartridge	11 Protrusions of the tool flange	18 Felt ring
4 Star marking	12 Hex wrench	19 Pad
5 Slide switch	13 Tighten	20 Holes in the tool
6 Dial	14 Adapter (required for some application tools)	21 Protrusions on the nozzle band
7 Front lamp	15 Nozzle band	
8 Indication lamp		

SPECIFICATIONS

Model		BTM40	BTM50
Oscillation per minute		6,000 – 20,000 (min ⁻¹)	
Oscillation angle, left/right		1.6° (3.2° total)	
Overall length		324 mm	
Net weight	without dust extraction attachment	1.9 kg	2.0 kg
	with dust extraction attachment	2.0 kg	2.1 kg
Rated voltage		D.C. 14.4 V	D.C. 18 V

- Due to our continuing programme of research and development, the specifications herein are subject to change without notice.
- Specifications and battery cartridge may differ from country to country.
- Weight, with battery cartridge, according to EPTA-Procedure 01/2003

GEB094-2

ENE080-1

Intended use

The tool is intended for sawing and cutting wood, plastic, gypsum, non-ferrous metals, and fastening elements (e. g. unhardened nails and staples). It is also intended for working soft wall tiles, as well as dry sanding and scraping of small surfaces. It is especially for working close to edge and flush cutting.

GEA010-1

General Power Tool Safety Warnings

⚠ WARNING Read all safety warnings and all instructions. Failure to follow the warnings and instructions may result in electric shock, fire and/or serious injury.

Save all warnings and instructions for future reference.

CORDLESS MULTI TOOL SAFETY WARNINGS

- This power tool is intended to function for sawing, cutting, grinding and sanding. Read all safety warnings, instructions, illustrations and specifications provided with this power tool.** Failure to follow all instructions listed below may result in electric shock, fire and/or serious injury.
- Hold power tool by insulated gripping surfaces, when performing an operation where the cutting accessory may contact hidden wiring.** Cutting accessory contacting a "live" wire may make exposed metal parts of the power tool "live" and could give the operator an electric shock.
- Use clamps or another practical way to secure and support the workpiece to a stable platform.** Holding the work by hand or against your body leaves it unstable and may lead to loss of control.
- Always use safety glasses or goggles. Ordinary eye or sun glasses are NOT safety glasses.**
- Avoid cutting nails. Inspect workpiece for any nails and remove them before operation.**
- Hold the tool firmly.**
- Make sure the application tool is not contacting the workpiece before the switch is turned on.**
- Keep hands away from moving parts.**
- Do not leave the tool running. Operate the tool only when hand-held.**
- Always switch off and wait for the blade to come to a complete stop before removing the blade from the workpiece.**
- Do not touch the application tool or the workpiece immediately after operation; they may be extremely hot and could burn your skin.**
- Do not operate the tool at no-load unnecessarily.**
- Always use the correct dust mask/respirator for the material and application you are working with.**

14. Some material contains chemicals which may be toxic. Take caution to prevent dust inhalation and skin contact. Follow material supplier safety data.
15. This tool has not been waterproofed, so do not use water on the workpiece surface.
16. Ventilate your work area adequately when you perform sanding operations.
17. Use of this tool to sand some products, paints and wood could expose user to dust containing hazardous substances. Use appropriate respiratory protection.
18. Be sure that there are no cracks or breakage on the pad before use. Cracks or breakage may cause a personal injury.
19. Do not use accessories which are not specifically designed and recommended by the tool manufacturer. Just because the accessory can be attached to your power tool, it does not assure safe operation.
20. Wear personal protective equipment. Depending on application, use face shield, safety goggles or safety glasses. As appropriate, wear hearing protectors, gloves and workshop apron capable of stopping small abrasive or workpiece fragments. The eye protection must be capable of stopping flying debris generated by various operations. The dust mask or respirator must be capable of filtering particles generated by your operation. Prolonged exposure to high intensity noise may cause hearing loss.
21. Keep bystanders a safe distance away from work area. Anyone entering the work area must wear personal protective equipment. Fragments of workpiece or of a broken accessory may fly away and cause injury beyond immediate area of operation.
22. Never lay the power tool down until the accessory has come to a complete stop. The spinning accessory may grab the surface and pull the power tool out of your control.
23. Do not run the power tool while carrying it at your side. Accidental contact with the accessory could snag your clothing, pulling the accessory into your body.
24. Do not operate the power tool near flammable materials. Sparks could ignite these materials.
25. Do not use accessories that require liquid coolants. Using water or other liquid coolants may result in electrocution or shock.
26. Always be sure that the tool is switched off and unplugged or that the battery cartridge is removed before carrying out any work on the tool.
27. Always be sure you have a firm footing. Be sure no one is below when using the tool in high locations.

SAVE THESE INSTRUCTIONS.

WARNING:

DO NOT let comfort or familiarity with product (gained from repeated use) replace strict adherence to safety rules for the subject product. MISUSE or failure to follow the safety rules stated in this instruction manual may cause serious personal injury.

IMPORTANT SAFETY INSTRUCTIONS

FOR BATTERY CARTRIDGE

1. Before using battery cartridge, read all instructions and cautionary markings on (1) battery charger, (2) battery, and (3) product using battery.
2. Do not disassemble battery cartridge.
3. If operating time has become excessively shorter, stop operating immediately. It may result in a risk of overheating, possible burns and even an explosion.
4. If electrolyte gets into your eyes, rinse them out with clear water and seek medical attention right away. It may result in loss of your eyesight.
5. Do not short the battery cartridge:
 - (1) Do not touch the terminals with any conductive material.
 - (2) Avoid storing battery cartridge in a container with other metal objects such as nails, coins, etc.
 - (3) Do not expose battery cartridge to water or rain.

A battery short can cause a large current flow, overheating, possible burns and even a breakdown.
6. Do not store the tool and battery cartridge in locations where the temperature may reach or exceed 50°C (122°F).
7. Do not incinerate the battery cartridge even if it is severely damaged or is completely worn out. The battery cartridge can explode in a fire.
8. Be careful not to drop or strike battery.
9. Do not use a damaged battery.

SAVE THESE INSTRUCTIONS.

Tips for maintaining maximum battery life

1. Charge the battery cartridge before completely discharged. Always stop tool operation and charge the battery cartridge when you notice less tool power.
2. Never recharge a fully charged battery cartridge. Overcharging shortens the battery service life.
3. Charge the battery cartridge with room temperature at 10°C – 40°C (50°F – 104°F). Let a hot battery cartridge cool down before charging it.
4. Charge the battery cartridge once in every six months if you do not use it for a long period of time.

FUNCTIONAL DESCRIPTION

WARNING:

- Always be sure that the tool is switched off and battery cartridge is removed before adjusting or checking function on the tool. Failure to switch off and remove the battery cartridge may result in serious personal injury from accidental start-up.

Installing or removing battery cartridge (Fig. 1)

CAUTION:

- Always switch off the tool before installing or removing of the battery cartridge.
- **Hold the tool and the battery cartridge firmly when installing or removing battery cartridge.** Failure to hold the tool and the battery cartridge firmly may cause them to slip off your hands and result in damage to the tool and battery cartridge and a personal injury.

To remove the battery cartridge, slide it from the tool while sliding the button on the front of the cartridge.

To install the battery cartridge, align the tongue on the battery cartridge with the groove in the housing and slip it into place. Insert it all the way until it locks in place with a little click. If you can see the red indicator on the upper side of the button, it is not locked completely.

CAUTION:

- Always install the battery cartridge fully until the red indicator cannot be seen. If not, it may accidentally fall out of the tool, causing injury to you or someone around you.
- Do not install the battery cartridge forcibly. If the cartridge does not slide in easily, it is not being inserted correctly.

Battery protection system (Lithium-ion battery with star marking) (Fig. 2)

Lithium-ion batteries with a star marking are equipped with a protection system. This system automatically cuts off power to the tool to extend battery life.

The tool will automatically stop during operation if the tool and/or battery are placed under one of the following conditions:

- **Overloaded:**
The tool is operated in a manner that causes it to draw an abnormally high current.
In this situation, slide the slide switch on the tool toward the "O (OFF)" position and stop the application that caused the tool to become overloaded. Then slide the slide switch toward the "I (ON)" position again to restart.
If the tool does not start, the battery is overheated. In this situation, let the battery cool before sliding the slide switch toward the "I (ON)" position again.
- **Low battery voltage:**
The remaining battery capacity is too low and the tool will not operate. In this situation, remove and recharge the battery.

Switch action (Fig. 3)

CAUTION:

- Before installing the battery cartridge into the tool, always check to see that the tool is switched off.

To start the tool, slide the slide switch toward the "I (ON)" position.

To stop the tool, slide the slide switch toward the "O (OFF)" position.

Adjusting the orbital stroke rate (Fig. 4)

The orbital stroke rate is adjustable. To change the orbital stroke rate, turn the dial between 1 and 6. The higher the number is, the higher the orbital stroke rate is. Preset the dial to the number suitable for your workpiece.

NOTE:

- The dial cannot be turned directly from 1 to 6 or from 6 to 1. Forcing the dial may damage the tool. When changing the dial direction, always turn the dial moving it through each intermediate number.

Lighting up the front lamp (Fig. 5)

WARNING:

- Never look into the light directly. Direct light causes damage to your eyes.

Slide the slide switch toward the "I (ON)" position to light up the front lamp. The lamp keeps on lighting while the switch is the "I (ON)" position. The light automatically goes out after pressing the rear of the slide switch, and then sliding the slide switch toward the "O (OFF)" position.

Overload protection

When the tool is overloaded and the tool temperature reaches a certain level, the front lamp blinks and the tool automatically stops. Remove a cause of overload to restart.

Indication lamp (Fig. 6)

- When the remaining battery capacity gets low, the indication lamp blinks.
- When the remaining battery capacity gets much lower, the tool stops during operation and the indication lamp lights up about 10 seconds.

At this time, remove the battery cartridge from the tool and charge it.

ASSEMBLY

CAUTION:

- Always be sure that the tool is switched off and the battery cartridge is removed before carrying out any work on the tool.

Installing or removing application tool (optional accessory) (Fig. 7, 8 & 9)

WARNING:

- Do not install application tool upside down. Installing application tool upside down may damage the tool and cause serious personal injury.
- Install attachment tool in the correct direction according to your work. Application tool can be installed at an angle of every 30 degree.

Put an application tool (optional accessory) on the tool flange so that the protrusions of the tool flange fit in the holes in the application tool and secure the application tool by tightening the bolt firmly with the hex wrench.

When using sanding application tool, mount the application tool on the sanding pad so that it matches the sanding pad direction.

The sanding pad has a hook and loop type fitting system which allows easy and rapid fitting of a sanding paper.

As sanding papers have holes for dust extraction, mount a sanding paper so that the holes in a sanding paper match those in the sanding pad.

To remove a sanding paper, raise its end and peel it off. Loosen and remove the application tool installation bolt using a hex wrench and then take off the application tool.

When using application tools with a different type of installation section, use a correct adapter (optional accessory).

Hex wrench storage (Fig. 10)

When not in use, store the hex wrench as shown in the figure to keep it from being lost.

OPERATION

⚠ WARNING:

- Before starting the tool and during operation, keep your hand and face away from the application tool.
- Do not apply excessive load to the tool which may cause a motor lock and stop the tool.

Cutting, sawing and scraping (Fig. 11)

Put the application tool on the workpiece.

And then move the tool forward so that the application tool movement does not slow down.

NOTE:

- Forcing or excessive pressure on the tool may reduce efficiency.
- Before cutting operation, it is recommended to preset the orbital stroke rate 4 – 6.

Sanding (Fig. 12)

⚠ WARNING:

- Do not reuse a sanding paper used for sanding metal to sand wood.
- Do not use a worn sanding paper or sanding paper without grit.

Apply a sanding paper on the workpiece.

NOTE:

- Using a test material sample to try is recommendable to determine a correct orbital stroke rate suitable for your work.
- Use a sanding paper with the same grit until sanding the whole workpiece is completed. Replacing a sanding paper with different grit sanding paper may not get a fine finish.

Dust extraction attachment (optional accessory) (Fig. 13 & 14)

- Install dust nozzles and dust attachment.
- Install the nozzle band on the tool so that its protrusions fit in the holes in the tool to secure it.
- Put the felt ring and the sanding pad on the dust attachment and then secure them with the application tool installation bolt.

When you wish to perform cleaner operation, connect a vacuum cleaner to your tool. Connect a hose of vacuum cleaner to the dust extraction attachment (optional accessory).

MAINTENANCE

⚠ CAUTION:

- Always be sure that the tool is switched off and the battery cartridge is removed before attempting to perform inspection or maintenance.
- Never use gasoline, benzene, thinner, alcohol or the like. Discoloration, deformation or cracks may result.

To maintain product SAFETY and RELIABILITY, repairs, carbon brush inspection and replacement, any other maintenance or adjustment should be performed by Makita Authorized Service Centers, always using Makita replacement parts.

OPTIONAL ACCESSORIES

⚠ CAUTION:

- These accessories or attachments are recommended for use with your Makita tool specified in this manual. The use of any other accessories or attachments might present a risk of injury to persons. Only use accessory or attachment for its stated purpose.

If you need any assistance for more details regarding these accessories, ask your local Makita Service Center.

- Segment saw blade
- Round saw blade
- Plunge cut saw blade
- Scraper (rigid)
- Scraper (flexible)
- Serrated seg blade
- General joint cutter
- HM remover
- HM seg saw blade
- HM sanding plate
- Diamond seg sawblade
- Sanding pad
- Adapter
- Abrasive paper delta (red / white / black)
- Fleece delta (medium / coarse / without grit)
- Polishing felt delta
- Hex wrench
- Dust extraction attachment
- Makita genuine battery and charger

NOTE:

- Some items in the list may be included in the tool package as standard accessories. They may differ from country to country.

ENG905-1

Noise

The typical A-weighted noise level determined according to EN60745:

Work mode: sanding

Sound pressure level (L_{pA}): 78 dB (A)

Uncertainty (K): 3 dB (A)

The noise level under working may exceed 80 dB (A).

Work mode: cutting with plunge cut saw blade

Model BTM40

Sound pressure level (L_{pA}): 82 dB (A)

Sound power level (L_{WA}): 93 dB (A)

Uncertainty (K): 3 dB (A)

Model BTM50

Sound pressure level (L_{pA}): 84 dB (A)

Sound power level (L_{WA}): 95 dB (A)

Uncertainty (K): 3 dB (A)

Work mode: cutting with segmental saw blade

Sound pressure level (L_{pA}): 81 dB (A)

Sound power level (L_{WA}): 92 dB (A)

Uncertainty (K): 3 dB (A)

Work mode: scraping

Model BTM40

Sound pressure level (L_{pA}): 81 dB (A)

Sound power level (L_{WA}): 92 dB (A)

Uncertainty (K): 3 dB (A)

Model BTM50

Sound pressure level (L_{pA}): 83 dB (A)

Sound power level (L_{WA}): 94 dB (A)

Uncertainty (K): 3 dB (A)

Wear ear protection

Vibration

The vibration total value (tri-axial vector sum) determined according to EN60745:

Work mode: sanding

Vibration emission (a_h): 2.5 m/s² or less
Uncertainty (K): 1.5 m/s²

Work mode: cutting with plunge cut saw blade

Model BTM40

Vibration emission (a_h): 9.5 m/s²
Uncertainty (K): 1.5 m/s²

Model BTM50

Vibration emission (a_h): 10.0 m/s²
Uncertainty (K): 1.5 m/s²

Work mode: cutting with segmental saw blade

Model BTM40

Vibration emission (a_h): 5.0 m/s²
Uncertainty (K): 1.5 m/s²

Model BTM50

Vibration emission (a_h): 5.5 m/s²
Uncertainty (K): 1.5 m/s²

Work mode: scraping

Model BTM40

Vibration emission (a_h): 7.5 m/s²
Uncertainty (K): 1.5 m/s²

Model BTM50

Vibration emission (a_h): 9.5 m/s²
Uncertainty (K): 1.5 m/s²

ENG901-1

- The declared vibration emission value has been measured in accordance with the standard test method and may be used for comparing one tool with another.
- The declared vibration emission value may also be used in a preliminary assessment of exposure.

**WARNING:**

- The vibration emission during actual use of the power tool can differ from the declared emission value depending on the ways in which the tool is used.
- Be sure to identify safety measures to protect the operator that are based on an estimation of exposure in the actual conditions of use (taking account of all parts of the operating cycle such as the times when the tool is switched off and when it is running idle in addition to the trigger time).

For European countries only**EC Declaration of Conformity**

We Makita Corporation as the responsible manufacturer declare that the following Makita machine(s):

Designation of Machine:

Cordless Multi Tool

Model No./ Type: BTM40, BTM50

are of series production and

Conforms to the following European Directives:

2006/42/EC

And are manufactured in accordance with the following standards or standardised documents:

EN60745

The technical documentation is kept by our authorised representative in Europe who is:

Makita International Europe Ltd.

Michigan Drive, Tongwell,

Milton Keynes, Bucks MK15 8JD, England

20.10.2011

Tomoyasu Kato

Director

Makita Corporation

3-11-8, Sumiyoshi-cho,

Anjo, Aichi, 446-8502, JAPAN

Descriptif

1 Bouton	10 Orifices de l'accessoire d'application	17 Fixation de raccord à poussières
2 Indicateur rouge		
3 Batterie	11 Parties saillantes du flasque de l'outil	18 Anneau de feutre
4 Marque étoilée		19 Patin de ponçage
5 Interrupteur à glissière	12 Clé hexagonale	20 Orifices de l'outil
6 Cadran	13 Serrer	21 Parties saillantes du collier de raccord
7 Lampe avant	14 Adaptateur (requis pour certains accessoires d'application)	
8 Témoins indicateur		
9 Boulon de fixation pour accessoire d'application	15 Collier de raccord	
	16 Raccord à poussières	

SPÉCIFICATIONS

Modèle		BTM40	BTM50
Oscillations par minute		6 000 – 20 000 (min ⁻¹)	
Angle d'oscillation, gauche/droite		1,6° (total 3,2°)	
Longueur totale		324 mm	
Poids net	sans fixation de raccord à poussières	1,9 kg	2,0 kg
	avec fixation de raccord à poussières	2,0 kg	2,1 kg
Tension nominale		14,4 V CC	18 V CC

GEB094-2

- Étant donné l'évolution constante de notre programme de recherche et de développement, les spécifications contenues dans ce manuel sont sujettes à modification sans préavis.
- Les spécifications et la batterie peuvent être différentes suivant les pays.
- Poids, avec la batterie, conformément à la procédure EPTA-01/2003

ENE080-1

Utilisations

L'outil est conçu pour scier et couper dans le bois, le plastique, le gypse et les métaux non ferreux, ainsi que pour fixer des éléments (tels qu'agrafes et clous en acier non trempé). Il est aussi conçu pour les travaux sur carrelage mural souple, ainsi que pour le ponçage à sec et le raclage de petites surfaces. Il convient tout particulièrement pour le travail près des bords de la pièce et pour les coupes à ras.

GEA010-1

Consignes de sécurité générales pour outils électriques

⚠ AVERTISSEMENT Veuillez lire toutes les mises en garde et toutes les instructions. Il y a risque de choc électrique, d'incendie et/ou de blessure grave si les mises en garde et les instructions ne sont pas respectées.

Conservez toutes les mises en garde et instructions pour référence ultérieure.

CONSIGNES DE SÉCURITÉ POUR OUTIL MULTI-FONCTIONS SANS FIL

1. **Cet outil électrique est conçu pour le sciage, la coupe, le meulage et le ponçage. Veuillez consulter tous les avertissements, instructions, illustrations et spécifications qui accompagnent cet outil électrique.** Il y a risque de choc électrique, d'incendie ou de blessure grave si les instructions ne sont pas toutes respectées.
2. **Saisissez l'outil électrique uniquement par ses surfaces de poigne isolées lorsque vous effectuez des travaux au cours desquels l'accessoire tranchant peut entrer en contact avec des fils cachés.** Le contact de l'accessoire tranchant avec un fil sous tension peut également mettre sous tension les parties métalliques exposées de l'outil électrique, causant ainsi un choc électrique chez l'utilisateur.
3. **Utilisez des dispositifs de serrage ou autres moyens pratiques pour fixer et soutenir la pièce sur une surface stable.** La pièce sera instable et vous risquez d'en perdre la maîtrise si vous la tenez dans vos mains ou l'appuyez contre votre corps.
4. **Portez toujours des lunettes de sécurité ou des lunettes à coques. Les lunettes ordinaires et les lunettes de soleil NE sont PAS des lunettes de sécurité.**
5. **Évitez de couper les clous. Avant de commencer le travail, inspectez la pièce et retirez tous les clous.**
6. **Tenez l'outil fermement.**
7. **Assurez-vous que l'accessoire d'application n'est pas en contact avec la pièce avant de faire démarrer l'outil.**

8. Gardez les mains éloignées des pièces en mouvement.
9. Ne vous éloignez pas en laissant l'outil tourner. Ne le faites fonctionner que lorsque vous l'avez bien en main.
10. Éteignez-le toujours et attendez l'arrêt complet de la lame avant de la retirer de la pièce.
11. Ne touchez ni l'accessoire d'application ni la pièce immédiatement après l'exécution du travail ; ils peuvent être extrêmement chauds et vous brûler la peau.
12. Ne faites pas tourner l'outil à vide inutilement.
13. Portez toujours un masque antipoussières ou un respirateur adapté au matériau travaillé et à l'application utilisée.
14. Certains matériaux contiennent des produits chimiques qui peuvent être toxiques. Prenez les précautions nécessaires pour éviter que la poussière dégagée lors du travail ne soit inhalée ou n'entre en contact avec la peau. Suivez les consignes de sécurité du fournisseur du matériau.
15. Cet outil n'est pas étanche à l'eau ; n'utilisez pas d'eau sur la surface de la pièce.
16. Aérez bien la zone de travail lorsque vous effectuez un travail de ponçage.
17. L'utilisation de cet outil pour poncer certains produits, peintures et bois peut exposer l'utilisateur à des poussières qui contiennent des substances dangereuses. Portez une protection respiratoire adéquate.
18. Avant l'utilisation, vérifiez l'absence de fissures ou de bris sur le patin de ponçage. Les fissures et bris comportent un risque de blessure corporelle.
19. N'utilisez pas d'accessoires non conçus spécifiquement pour le travail à effectuer et non recommandés par le fabricant de l'outil. Le fait qu'un accessoire puisse être fixé à l'outil électrique ne signifie pas qu'il fonctionnera sans danger.
20. Portez des dispositifs de protection personnelle. Suivant le travail à effectuer, portez un écran facial, des lunettes à coques ou des lunettes de sécurité. Au besoin, portez des protections d'oreilles, des gants de travail et un tablier de travail capable de bloquer les petites projections abrasives ou les fragments de pièce. Le dispositif de protection des yeux doit pouvoir bloquer les débris éjectés lors des diverses opérations. Le masque antipoussières ou le respirateur doit pouvoir filtrer les particules générées pendant l'exécution du travail. L'exposition prolongée à un bruit de grande intensité peut affecter l'ouïe.
21. Ne laissez pas les curieux trop approcher de la zone de travail. Toute personne pénétrant dans la zone de travail doit porter des dispositifs de protection personnelle. Des fragments de la pièce ou d'un accessoire cassé peuvent être éjectés et causer une blessure au-delà de la zone immédiate de travail.
22. Ne déposez jamais l'outil électrique avant que l'accessoire n'ait complètement cessé de tourner. L'accessoire en rotation peut accrocher la surface de la pièce et entraîner du même coup une perte de maîtrise de l'outil.
23. Ne laissez pas l'outil tourner pendant que vous le transportez sur le côté. L'accessoire risquerait d'accrocher accidentellement vos vêtements et d'être attiré du même coup vers votre corps.
24. N'utilisez pas l'outil électrique près de matériaux inflammables. Les étincelles peuvent enflammer ces matériaux.
25. N'utilisez pas d'accessoires pour lesquels un liquide de refroidissement est nécessaire. L'utilisation d'eau ou autre liquide de refroidissement peut causer une électrocution ou un choc électrique.
26. Avant toute intervention sur l'outil, assurez-vous toujours que le contact est coupé, que l'outil est débranché et que la batterie est retirée.
27. Assurez-vous toujours de travailler en position stable. Lorsque vous utilisez l'outil dans un endroit élevé, assurez-vous qu'il n'y a personne en bas.

CONSERVEZ CES INSTRUCTIONS.



AVERTISSEMENT :

NE vous laissez PAS tromper (au fil d'une utilisation répétée) par un sentiment d'aisance et de familiarité avec le produit, en négligeant le respect rigoureux des consignes de sécurité qui accompagnent le produit en question. La MAUVAISE UTILISATION de l'outil ou l'ignorance des consignes de sécurité indiquées dans ce manuel d'instructions peut entraîner une blessure grave.

ENC007-7

CONSIGNES DE SÉCURITÉ IMPORTANTES

POUR LA BATTERIE

1. Avant d'utiliser la batterie, lisez toutes les instructions et précautions relatives (1) au chargeur de batterie, (2) à la batterie, et (3) à l'outil utilisant la batterie.
2. Ne démontez pas la batterie.
3. Cessez immédiatement l'utilisation si le temps de fonctionnement devient excessivement court. Il y a un risque de surchauffe, de brûlures, voire d'explosion.
4. Si l'électrolyte pénètre dans vos yeux, rincez-les à l'eau claire et consultez immédiatement un médecin. Il y a un risque de perte de la vue.
5. Ne court-circuitez pas la batterie :
 - (1) Ne touchez les bornes avec aucun matériau conducteur.
 - (2) Évitez de ranger la batterie dans un conteneur avec d'autres objets métalliques, par exemple des clous, des pièces de monnaie, etc.
 - (3) N'exposez pas la batterie à l'eau ou à la pluie. Un court-circuit de la batterie pourrait provoquer un fort courant, une surchauffe, parfois des brûlures et même une panne.
6. Ne rangez pas l'outil ou la batterie dans des endroits où la température risque d'atteindre ou de dépasser 50°C.
7. Ne jetez pas la batterie au feu même si elle est sérieusement endommagée ou complètement épuisée. La batterie peut exploser au contact du feu.
8. Prenez garde d'échapper ou de heurter la batterie.

- 9. N'utilisez pas une batterie abîmée.

CONSERVEZ CES INSTRUCTIONS.

Conseils pour assurer la durée de vie optimale de la batterie

1. Rechargez la batterie avant qu'elle ne soit complètement déchargée. Arrêtez toujours l'outil et rechargez la batterie quand vous remarquez que la puissance de l'outil diminue.
2. Ne rechargez jamais une batterie complètement chargée. La surcharge réduit la durée de service de la batterie.
3. Chargez la batterie alors que la température de la pièce se trouve entre 10°C et 40°C. Avant de charger une batterie chaude, laissez-la refroidir.
4. Chargez la batterie tous les six mois si elle reste inutilisée pendant une période prolongée.

DESCRIPTION DU FONCTIONNEMENT

⚠ AVERTISSEMENT :

- Assurez-vous toujours que l'outil est hors tension et que sa batterie est retirée avant de l'ajuster ou de vérifier son fonctionnement. Si vous ne coupez pas le contact et ne retirez pas la batterie, vous risquez de vous blesser grièvement en cas de démarrage accidentel.

Pose ou retrait de la batterie (Fig. 1)

⚠ ATTENTION :

- Mettez toujours l'outil hors tension avant de poser ou de retirer la batterie.
- Lorsque vous posez ou retirez la batterie, tenez fermement l'outil et la batterie. Si vous ne tenez pas fermement l'outil et la batterie, ils risquent de s'abîmer en vous glissant des mains, et vous courez un risque de blessure corporelle.

Pour retirer la batterie, faites-la glisser hors de l'outil tout en faisant glisser le bouton qui se trouve à l'avant de la batterie.

Pour poser la batterie, alignez sa languette sur la rainure à l'intérieur du carter, et faites-la glisser en place. Insérez-la à fond, jusqu'à ce qu'elle se mette en place avec un léger dé clic. Si vous pouvez voir l'indicateur rouge du côté supérieur du bouton, la batterie n'est pas complètement verrouillée.

⚠ ATTENTION :

- Insérez toujours la batterie à fond, jusqu'à ce que l'indicateur rouge ne soit plus visible. Sinon, elle pourrait tomber accidentellement de l'outil, au risque de vous blesser ou de blesser quelqu'un se trouvant près de vous.
- Ne forcez pas pour insérer la batterie. Si elle ne glisse pas facilement, c'est que vous ne l'insérez pas correctement.

Dispositif de protection de la batterie (batterie au lithium-ion avec marque étoilée) (Fig. 2)

Les batteries au lithium-ion qui portent une marque étoilée sont dotées d'un dispositif de protection. Ce dispositif coupe automatiquement l'alimentation de l'outil pour prolonger la durée de service de la batterie.

Si l'outil ou la batterie se trouve dans l'une ou l'autre des situations suivantes, l'outil cessera automatiquement de fonctionner :

- Surchargé :
L'outil est utilisé de manière telle qu'il consomme un courant anormalement élevé.
Le cas échéant, faites glisser l'interrupteur à glissière de l'outil sur la position « O (OFF) » et cessez l'application qui cause la surcharge. Pour redémarrer, refaites glisser l'interrupteur à glissière sur la position « I (ON) ».
Si l'outil ne démarre pas, cela signifie que la batterie est trop chaude. Le cas échéant, laissez refroidir la batterie avant de refaire glisser l'interrupteur à glissière sur la position « I (ON) ».
- Faible tension de la batterie :
La charge restante de la batterie étant trop faible, l'outil ne fonctionne pas. Le cas échéant, retirez la batterie et rechargez-la.

Interrupteur (Fig. 3)

⚠ ATTENTION :

- Avant d'insérer la batterie dans l'outil, assurez-vous toujours que l'outil est hors tension.

Pour démarrer l'outil, faites glisser l'interrupteur à glissière sur la position « I (ON) ».

Pour arrêter l'outil, faites glisser l'interrupteur à glissière sur la position « O (OFF) ».

Réglage du taux de frappe orbitale (Fig. 4)

Le taux de frappe orbitale est réglable. Pour modifier le taux de frappe orbitale, tournez le cadran sur une valeur de 1 à 6. Plus le numéro est élevé, plus le taux de frappe orbitale sera élevé. Réglez à l'avance le cadran sur le numéro qui convient à la pièce à travailler.

NOTE :

- Il n'est pas possible de tourner le cadran d'un seul coup de 1 à 6 ou de 6 à 1. Forcer le cadran peut abîmer l'outil. Lorsque vous tournez le cadran en sens opposé, faites-le toujours en arrêtant sur chaque numéro intermédiaire.

Allumer la lampe avant (Fig. 5)

⚠ AVERTISSEMENT :

- Ne regardez jamais directement la source de lumière. L'exposition directe à la source de lumière peut affecter la vue.

Faites glisser l'interrupteur à glissière sur la position « I (ON) » pour allumer la lampe avant. La lampe reste allumée tant que l'interrupteur est en position « I (ON) ». Lorsque vous appuyez à l'arrière de l'interrupteur à glissière et le faites glisser sur la position « O (OFF) », la lumière s'éteint automatiquement.

Protection contre la surcharge

Lorsque l'outil est surchargé et que sa température atteint un certain niveau, la lampe avant clignote et l'outil s'arrête automatiquement. Annulez la cause de la surcharge avant de redémarrer l'outil.

Témoin indicateur (Fig. 6)

- Lorsque la charge restante de la batterie devient basse, le témoin indicateur clignote.
- Lorsque la charge restante de la batterie est très basse, l'outil cesse de fonctionner en cours d'utilisation et le témoin indicateur s'allume pendant 10 secondes environ.

Le cas échéant, retirez la batterie de l'outil et chargez-la.

ASSEMBLAGE

ATTENTION :

- Assurez-vous toujours que l'outil est hors tension et que sa batterie est retirée avant d'effectuer tout travail dessus.

Pose ou retrait de l'accessoire d'application (accessoire en option) (Fig. 7, 8 et 9)

AVERTISSEMENT :

- Ne posez pas l'accessoire d'application à l'envers. En posant l'accessoire d'application à l'envers, vous risquez d'abîmer l'outil et de vous blesser grièvement.
- Posez le dispositif de fixation dans le sens qui convient au travail à effectuer. La position de pose de l'accessoire d'application est modifiable par pas de 30 degrés.

Posez l'accessoire d'application (accessoire en option) sur le flasque de l'outil de sorte que les parties saillantes du flasque pénètrent dans les orifices de l'accessoire d'application, et fixez ce dernier en serrant fermement le boulon à l'aide de la clé hexagonale.

Quand vous utilisez l'accessoire d'application de ponçage, montez-le sur le patin de ponçage en tenant compte du sens du ponçage.

Le patin de ponçage étant doté d'un dispositif à crochet et boucle, cela permet de poser le papier abrasif facilement et rapidement.

Le papier abrasif est doté d'orifices pour l'extraction des poussières ; posez-le de sorte que ces orifices s'alignent sur ceux du patin de ponçage.

Pour retirer le papier abrasif, soulevez-le par une extrémité et tirez pour le détacher. Desserrez et retirez le boulon de fixation pour accessoire d'application, à l'aide d'une clé hexagonale, puis retirez l'accessoire d'application.

Avec les accessoires d'application dont la section de pose est d'un type différent, utilisez un adaptateur adéquat (accessoire en option).

Rangement de la clé hexagonale (Fig. 10)

Après l'utilisation, rangez la clé hexagonale tel qu'illustré sur la figure pour éviter de l'égarer.

UTILISATION

AVERTISSEMENT :

- Avant le démarrage et pendant l'utilisation de l'outil, gardez les mains et le visage à l'écart de l'accessoire d'application.
- N'appliquez pas une charge excessive sur l'outil, car le moteur risque de se verrouiller et d'arrêter l'outil.

Coupe, sciage et raclage (Fig. 11)

Mettez l'accessoire d'application sur la pièce à travailler. Déplacez ensuite l'outil vers l'avant à une vitesse telle que l'accessoire d'application ne ralentisse pas.

NOTE :

- Le travail risque d'être moins efficace si vous forcez l'outil ou lui appliquez une pression excessive.
- Avant d'effectuer la coupe, il est recommandé de régler le taux de frappe orbitale sur une valeur de 4 à 6.

Ponçage (Fig. 12)

AVERTISSEMENT :

- Ne réutilisez pas, sur le bois, un papier abrasif préalablement utilisé pour poncer le métal.
- N'utilisez pas un papier abrasif usé ou sans grain.

Appliquez un papier abrasif sur la pièce à travailler.

NOTE :

- Il est préférable de vérifier le taux de frappe orbitale adéquat sur un échantillon du matériau avant de commencer le travail sur la pièce elle-même.
- Utilisez un papier abrasif du même grain pendant toute la durée du ponçage de la pièce. Vous risquez de ne pas obtenir une belle finition si, en cours de travail, vous remplacez le papier abrasif par un autre de grain différent.

Fixation d'extracteur de poussières (accessoire en option) (Fig. 13 et 14)

- Posez le raccord à poussières et la fixation de raccord à poussières.
- Posez le collier de raccord sur l'outil de sorte que ses parties saillantes pénètrent dans les orifices de l'outil.
- Mettez l'anneau de feutre et le patin de ponçage sur la fixation de raccord à poussières, puis fixez-les à l'aide du boulon de fixation pour accessoire d'application.

Pour un travail plus propre, raccordez un aspirateur à votre outil. Raccordez le tuyau d'un aspirateur à la fixation d'extracteur de poussières (accessoire en option).

ENTRETIEN

ATTENTION :

- Avant d'effectuer tout travail d'inspection ou de maintenance non mentionné dans la section de dépannage suivante concernant la lampe, assurez-vous toujours que l'outil est hors tension et que la batterie est retirée.
- N'utilisez jamais d'essence, benzine, diluant, alcool ou autre produit similaire. Cela risquerait de provoquer la décoloration, la déformation ou la fissuration de l'outil.

Pour maintenir la SÉCURITÉ et la FIABILITÉ du produit, les réparations, l'inspection et le remplacement des charbons, et tout autre travail d'entretien ou de réglage doivent être effectués dans un centre de service Makita agréé, exclusivement avec des pièces de rechange Makita.

ACCESSOIRES EN OPTION

ATTENTION :

- Ces accessoires ou pièces complémentaires sont recommandés pour l'utilisation avec l'outil Makita spécifié dans ce mode d'emploi. L'utilisation de tout autre accessoire ou pièce complémentaire peut comporter un risque de blessure. N'utilisez les accessoires ou pièces qu'aux fins auxquelles ils ont été conçus.

Si vous désirez obtenir plus de détails concernant ces accessoires, veuillez contacter le centre de service après-vente Makita le plus près.

- Lame de scie segmentaire
- Lame de scie circulaire
- Lame de scie pour coupe en plongée
- Racleur (rigide)
- Racleur (flexible)
- Lame partiellement dentée
- Coupe-joint ordinaire
- Détachant HM
- Lame de scie segmentaire HM
- Plateau ponceur HM
- Lame de scie segmentaire diamantée
- Patin de ponçage
- Adaptateur
- Papier abrasif Delta (rouge / blanc / noir)
- Molleton Delta (grain moyen / grain grossier / sans grain)
- Feutre de polissage Delta
- Clé hexagonale
- Fixation d'extracteur de poussières
- Batterie et chargeur Makita authentiques

NOTE :

- Il se peut que certains éléments de la liste soient compris dans l'emballage de l'outil en tant qu'accessoires standard. Ils peuvent varier d'un pays à l'autre.

ENG905-1

Bruit

Niveau de bruit pondéré A typique, déterminé selon EN60745 :

Mode de travail : ponçage

Niveau de pression sonore (L_{pA}) : 78 dB (A)

Incertitude (K) : 3 dB (A)

Le niveau de bruit en fonctionnement peut dépasser 80 dB (A).

Mode de travail : coupe avec une lame de scie pour coupe en plongée

Modèle BTM40

Niveau de pression sonore (L_{pA}) : 82 dB (A)

Niveau de puissance sonore (L_{WA}) : 93 dB (A)

Incertitude (K) : 3 dB (A)

Modèle BTM50

Niveau de pression sonore (L_{pA}) : 84 dB (A)

Niveau de puissance sonore (L_{WA}) : 95 dB (A)

Incertitude (K) : 3 dB (A)

Mode de travail : coupe avec une lame de scie segmentaire

Niveau de pression sonore (L_{pA}) : 81 dB (A)

Niveau de puissance sonore (L_{WA}) : 92 dB (A)

Incertitude (K) : 3 dB (A)

Mode de travail : raclage

Modèle BTM40

Niveau de pression sonore (L_{pA}) : 81 dB (A)

Niveau de puissance sonore (L_{WA}) : 92 dB (A)

Incertitude (K) : 3 dB (A)

Modèle BTM50

Niveau de pression sonore (L_{pA}) : 83 dB (A)

Niveau de puissance sonore (L_{WA}) : 94 dB (A)

Incertitude (K) : 3 dB (A)

Porter des protecteurs anti-bruit

ENG900-1

Vibrations

Valeur totale de vibrations (somme de vecteur triaxial) déterminée selon EN60745 :

Mode de travail : ponçage

Émission de vibrations (a_h) : 2,5 m/s² ou moins

Incertitude (K) : 1,5 m/s²

Mode de travail : coupe avec une lame de scie pour coupe en plongée

Modèle BTM40

Émission de vibrations (a_h) : 9,5 m/s²

Incertitude (K) : 1,5 m/s²

Modèle BTM50

Émission de vibrations (a_h) : 10,0 m/s²

Incertitude (K) : 1,5 m/s²

Mode de travail : coupe avec une lame de scie segmentaire

Modèle BTM40

Émission de vibrations (a_h) : 5,0 m/s²

Incertitude (K) : 1,5 m/s²

Modèle BTM50

Émission de vibrations (a_h) : 5,5 m/s²

Incertitude (K) : 1,5 m/s²

Mode de travail : raclage

Modèle BTM40

Émission de vibrations (a_h) : 7,5 m/s²

Incertitude (K) : 1,5 m/s²

Modèle BTM50

Émission de vibrations (a_h) : 9,5 m/s²

Incertitude (K) : 1,5 m/s²

ENG901-1

- La valeur d'émission de vibrations déclarée a été mesurée conformément à la méthode de test standard et peut être utilisée pour comparer les outils entre eux.
- La valeur d'émission de vibrations déclarée peut aussi être utilisée pour l'évaluation préliminaire de l'exposition.

AVERTISSEMENT :

- L'émission de vibrations lors de l'usage réel de l'outil électrique peut être différente de la valeur d'émission déclarée, suivant la façon dont l'outil est utilisé.
- Les mesures de sécurité à prendre pour protéger l'utilisateur doivent être basées sur une estimation de l'exposition dans des conditions réelles d'utilisation (en tenant compte de toutes les composantes du cycle d'utilisation, comme par exemple le moment de sa mise hors tension, lorsqu'il tourne à vide et le moment de son déclenchement).

Pour les pays d'Europe uniquement

Déclaration de conformité CE

Makita Corporation, en tant que fabricant responsable, déclare que la ou les machine(s) suivante(s) :

Désignation de la machine :

Outil Multi-Fonctions Sans Fil

N° de modèle / Type : BTM40, BTM50

sont produites en série et

sont conformes aux Directives européennes suivantes :

2006/42/CE

et qu'elles sont fabriquées conformément aux normes ou documents normalisés suivants :

EN60745

La documentation technique est conservée par notre représentant agréé en Europe, à savoir :

Makita International Europe Ltd.

Michigan Drive, Tongwell,

Milton Keynes, Bucks MK15 8JD, Angleterre

20.10.2011



Tomoyasu Kato

Directeur

Makita Corporation

3-11-8, Sumiyoshi-cho,

Anjo, Aichi, 446-8502, JAPAN

Übersicht

- | | | |
|--------------------------------------|--|------------------------------------|
| 1 Knopf | 10 Löcher im Anwendungswerkzeug | 17 Staubabsaugaufsatz |
| 2 Rote Anzeige | 11 Vorsprünge des Werkzeugflansches | 18 Filzring |
| 3 Akku | 12 Inbusschlüssel | 19 Kissen |
| 4 Sternsymbol | 13 Anziehen | 20 Löcher im Werkzeug |
| 5 Schiebeschalter | 14 Adapter (für manche Anwendungswerkzeuge erforderlich) | 21 Vorsprünge am Absaugstutzenband |
| 6 Einstellrad | 15 Absaugstutzenband | |
| 7 Frontlampe | 16 Absaugstutzen | |
| 8 Anzeigelampe | | |
| 9 Anwendungswerkzeug-Montageschraube | | |

TECHNISCHE DATEN

Modell		BTM40	BTM50
Schwingungen pro Minute		6 000 – 20 000 (min ⁻¹)	
Pendelwinkel, links/rechts		1,6° (3,2° gesamt)	
Gesamtlänge		324 mm	
Nettogewicht	ohne Staubabsaugaufsatz	1,9 kg	2,0 kg
	mit Staubabsaugaufsatz	2,0 kg	2,1 kg
Nennspannung		D.C. 14,4 V	D.C. 18 V

- Wir behalten uns vor, Änderungen im Zuge der Entwicklung und des technischen Fortschritts ohne vorherige Ankündigung vorzunehmen.
- Die technischen Daten und der Blockakku können von Land zu Land unterschiedlich sein.
- Gewicht mit Akku nach EPTA-Verfahren 01/2003

GEB094-2

ENE080-1

Vorgesehene Verwendung

Das Werkzeug ist zum Sägen und Schneiden von Holz, Kunststoff, Gips, Nicht-Eisen-Metallen und Befestigungselementen (z. B. ungehärtete Nägel und Heftklammern) vorgesehen. Es eignet sich auch zur Bearbeitung von weichen Wandfliesen sowie zum Trockenschleifen und Abschaben von kleinen Oberflächen. Besonders gut eignet es sich für Arbeiten in Kantennähe und bündiges Schneiden.

GEA010-1

Allgemeine Sicherheitswarnungen für Elektrowerkzeuge

⚠️ WARNUNG Lesen Sie alle Sicherheitswarnungen und Anweisungen durch. Eine Missachtung der unten aufgeführten Warnungen und Anweisungen kann zu einem elektrischen Schlag, Brand und/oder schweren Verletzungen führen.

Bewahren Sie alle Warnungen und Anweisungen für spätere Bezugnahme auf.

SICHERHEITSWARNUNGEN FÜR AKKU-MULTIFUNKTIONS-WERKZEUG

1. **Dieses Elektrowerkzeug ist zum Sägen, Schneiden, Schleifen und Schmirgeln vorgesehen. Lesen Sie alle mit diesem Elektrowerkzeug gelieferten Sicherheitswarnungen, Anweisungen, Abbildungen und technischen Daten durch.** Eine Missachtung der unten aufgeführten Anweisungen kann zu einem elektrischen Schlag, Brand und/oder schweren Verletzungen führen.
2. **Halten Sie das Elektrowerkzeug an den isolierten Griffflächen, wenn Sie Arbeiten ausführen, bei denen die Gefahr besteht, dass das Schneidwerkzeug verborgene Kabel kontaktiert.** Bei Kontakt mit einem Strom führenden Kabel können die freiliegenden Metallteile des Elektrowerkzeugs ebenfalls Strom führend werden, so dass der Benutzer einen elektrischen Schlag erleiden kann.
3. **Verwenden Sie Klemmen oder eine andere praktische Methode, um das Werkstück auf einer stabilen Unterlage zu sichern und abzustützen.** Wenn Sie das Werkstück nur von Hand oder gegen Ihren Körper halten, befindet es sich in einer instabilen Lage, die zum Verlust der Kontrolle führen kann.
4. **Tragen Sie stets eine Sicherheits- oder Schutzbrille. Eine gewöhnliche Brille oder Sonnenbrille ist KEIN Ersatz für eine Schutzbrille.**
5. **Vermeiden Sie das Schneiden von Nägeln. Untersuchen Sie das Werkstück auf etwaige Nägel, und entfernen Sie diese vor der Arbeit.**
6. **Halten Sie die Maschine mit festem Griff.**
7. **Vergewissern Sie sich vor dem Einschalten der Maschine, dass das Anwendungswerkzeug nicht das Werkstück berührt.**
8. **Halten Sie die Hände von beweglichen Teilen fern.**

9. Lassen Sie die Maschine nicht unbeaufsichtigt laufen. Benutzen Sie die Maschine nur mit Handhaltung.
10. Schalten Sie die Maschine stets aus, und warten Sie, bis das Sägeblatt zum vollständigen Stillstand kommt, bevor Sie das Sägeblatt aus dem Werkstück entfernen.
11. Vermeiden Sie eine Berührung des Anwendungswerkzeugs oder des Werkstücks unmittelbar nach der Bearbeitung, weil die Teile noch sehr heiß sind und Hautverbrennungen verursachen können.
12. Lassen Sie die Maschine nicht unnötig im Leerlauf laufen.
13. Verwenden Sie stets die korrekte Staubschutz- oder Atemmaske für das jeweilige Material und die Anwendung.
14. Manche Materialien können giftige Chemikalien enthalten. Treffen Sie Vorsichtsmaßnahmen, um das Einatmen von Arbeitsstaub und Hautkontakt zu verhüten. Befolgen Sie die Sicherheitsdaten des Materialherstellers.
15. Benetzen Sie die Werkstückoberfläche nicht mit Wasser, weil diese Maschine nicht wasserdicht ist.
16. Sorgen Sie für angemessene Belüftung des Arbeitsbereichs während der Durchführung von Schleifarbeiten.
17. Der Gebrauch dieser Maschine zum Schleifen bestimmter Produkte, Lacke und Holz kann den Benutzer Staub aussetzen, der gefährliche Substanzen enthält. Verwenden Sie einen geeigneten Atemschutz.
18. Vergewissern Sie sich vor dem Gebrauch, dass der Schleifkissen keine Risse oder Brüche aufweist. Risse oder Brüche können Verletzungen verursachen.
19. Verwenden Sie kein Zubehör, das nicht speziell vom Werkzeughersteller vorgesehen ist und empfohlen wird. Die bloße Tatsache, dass ein Zubehörteil an Ihrem Elektrowerkzeug angebracht werden kann, gewährleistet noch keinen sicheren Betrieb.
20. Tragen Sie Schutzausrüstung. Benutzen Sie je nach der Arbeit einen Gesichtsschutz bzw. eine Sicherheits- oder Schutzbrille. Tragen Sie bei Bedarf, Ohrenschützer, Handschuhe und eine Arbeitsschürze, die in der Lage ist, kleine Schleifpartikel oder Werkstücksplitter abzuwehren. Der Augenschutz muss in der Lage sein, den bei verschiedenen Arbeiten anfallenden Flugstaub abzuwehren. Die Staubmaske oder Atemschutzmaske muss in der Lage sein, durch die Arbeit erzeugte Partikel herauszufiltern. Lang anhaltende Lärmbelastung kann zu Gehörschäden führen.
21. Halten Sie Umstehende in sicherem Abstand vom Arbeitsbereich. Jeder, der den Arbeitsbereich betritt, muss Schutzausrüstung tragen. Bruchstücke des Werkstücks oder eines beschädigten Zubehörteils können weggeschleudert werden und Verletzungen über den unmittelbaren Arbeitsbereich hinaus verursachen.
22. Legen Sie das Elektrowerkzeug erst ab, nachdem das Zubehörteil zum vollständigen Stillstand gekommen ist. Anderenfalls kann das rotierende Zubehörteil die Oberfläche erfassen und das Elektrowerkzeug aus Ihren Händen reißen.
23. Lassen Sie das Elektrowerkzeug nicht laufen, während Sie es an Ihrer Seite tragen. Das Zubehörteil könnte sonst bei versehentlichem Kontakt Ihre Kleidung erfassen und auf Ihren Körper zu gezogen werden.
24. Betreiben Sie das Elektrowerkzeug nicht in der Nähe von brennbaren Materialien. Funken könnten diese Materialien entzünden.
25. Verwenden Sie keine Zubehörteile, die Kühlfähigkeiten erfordern. Die Verwendung von Wasser oder anderen Kühlfüssigkeiten kann zu einem Stromtod oder Stromschlag.
26. Vergewissern Sie sich vor der Ausführung von Arbeiten an der Maschine stets, dass die Maschine ausgeschaltet und vom Stromnetz getrennt bzw. der Akku abgenommen ist.
27. Achten Sie stets auf sicheren Stand. Vergewissern Sie sich bei Einsatz der Maschine an hochgelegenen Arbeitsplätzen, dass sich keine Personen darunter aufhalten.

BEWAHREN SIE DIESE HINWEISE SORGFÄLTIG AUF.

WARNUNG:

Lassen Sie sich NICHT durch Bequemlichkeit oder Vertrautheit mit dem Produkt (durch wiederholten Gebrauch erworben) von der strikten Einhaltung der Sicherheitsregeln für das vorliegende Produkt abhalten. MISSBRAUCH oder Missachtung der Sicherheitsvorschriften in dieser Anleitung können schwere Verletzungen verursachen.

ENC007-7

WICHTIGE SICHERHEITSVORSCHRIFTEN FÜR AKKU

1. Lesen Sie vor der Benutzung des Akkus alle Anweisungen und Warnhinweise, die an (1) Ladegerät, (2) Akku und (3) Akkuwerkzeug angebracht sind.
2. Unterlassen Sie ein Zerlegen des Akkus.
3. Falls die Betriebszeit beträchtlich kürzer geworden ist, stellen Sie den Betrieb sofort ein. Andernfalls besteht die Gefahr von Überhitzung, möglichen Verbrennungen und sogar einer Explosion.
4. Falls Elektrolyt in Ihre Augen gelangt, waschen Sie sie mit sauberem Wasser aus, und begeben Sie sich unverzüglich in ärztliche Behandlung. Anderenfalls können Sie Ihre Sehkraft verlieren.
5. Der Akku darf nicht kurzgeschlossen werden:
 - (1) Die Kontakte dürfen nicht mit leitfähigem Material berührt werden.
 - (2) Lagern Sie den Akku nicht in einem Behälter zusammen mit anderen Metallgegenständen, wie z.B. Nägel, Münzen usw.
 - (3) Setzen Sie den Akku weder Wasser noch Regen aus.
 Ein Kurzschluss des Akkus verursacht starken Stromfluss, der Überhitzung, Verbrennungen und einen Defekt zur Folge haben kann.
6. Lagern Sie Maschine und Akku nicht an Orten, an denen die Temperatur 50°C erreichen oder überschreiten kann.

7. Versuchen Sie niemals, den Akku zu verbrennen, selbst wenn er stark beschädigt oder vollkommen verbraucht ist. Der Akku kann im Feuer explodieren.
8. Achten Sie darauf, dass der Akku nicht fallen gelassen oder Stößen ausgesetzt wird.
9. Benutzen Sie keine beschädigten Akkus.

BEWAHREN SIE DIESE HINWEISE SORGFÄLTIG AUF.

Hinweise zur Aufrechterhaltung der maximalen Akku-Nutzungsdauer

1. Laden Sie den Akku, bevor er vollkommen erschöpft ist. Schalten Sie die Maschine stets aus, und laden Sie den Akku, wenn Sie ein Nachlassen der Maschinenleistung feststellen.
2. Unterlassen Sie das erneute Laden eines voll aufgeladenen Akkus. Überladen führt zu einer Verkürzung der Nutzungsdauer des Akkus.
3. Laden Sie den Akku bei Raumtemperatur zwischen 10°C – 40°C. Lassen Sie einen heißen Akku abkühlen, bevor Sie ihn laden.
4. Laden Sie den Akku bei längerer Nichtbenutzung alle sechs Monate nach.

FUNKTIONSBESCHREIBUNG

WARNUNG:

- Vergewissern Sie sich vor der Durchführung von Einstellungen oder Funktionsprüfungen der Maschine stets, dass die Maschine ausgeschaltet und der Akku abgenommen ist. Wird das Ausschalten der Maschine und das Abnehmen des Akkus unterlassen, kann es zu schweren Verletzungen durch versehentliches Anlaufen kommen.

Anbringen und Abnehmen des Akkus (Abb. 1)

VORSICHT:

- Schalten Sie stets die Maschine aus, bevor Sie den Akku anbringen oder abnehmen.
- Halten Sie Maschine und Akku beim Anbringen oder Abnehmen des Akkus sicher fest. Wenn Sie Maschine und Akku nicht sicher festhalten, können sie Ihnen aus der Hand rutschen, was zu einer Beschädigung der Maschine und des Akkus und zu Körperverletzungen führen kann.

Ziehen Sie den Akku zum Abnehmen von der Maschine ab, während Sie den Knopf an der Vorderseite des Akkus verschieben.

Richten Sie zum Anbringen des Akkus dessen Führungsfeder auf die Nut im Gehäuse aus, und schieben Sie den Akku hinein. Schieben Sie ihn vollständig ein, bis er mit einem hörbaren Klicken einrastet. Falls die rote Anzeige an der Oberseite des Knopfes sichtbar ist, ist der Akku-Adapter nicht vollständig verriegelt.

VORSICHT:

- Schieben Sie den Akku stets bis zum Anschlag ein, bis die rote Anzeige nicht mehr sichtbar ist. Anderenfalls kann er aus der Maschine herausfallen und Sie oder umstehende Personen verletzen.
- Unterlassen Sie Gewaltanwendung beim Anbringen des Akkus. Falls der Akku nicht reibungslos hineingleitet, ist er nicht richtig ausgerichtet.

Akku-Schutzsystem (Lithium-Ionen-Akku mit Sternsymbol) (Abb. 2)

Lithium-Ionen-Akkus mit Sternsymbol sind mit einem Schutzsystem ausgestattet. Dieses System schaltet die Stromversorgung der Maschine automatisch ab, um die Akku-Lebensdauer zu verlängern.

Die Maschine schaltet sich während des Betriebs automatisch ab, wenn Maschine und/oder Akku einer der folgenden Bedingungen unterliegen:

- Überlastung:
Die Maschine wird auf eine Weise benutzt, die eine ungewöhnlich hohe Stromaufnahme bewirkt.
Schieben Sie in dieser Situation den Schiebescalter der Maschine auf die Position „O (AUS)“, und brechen Sie die Arbeit ab, die eine Überlastung der Maschine verursacht hat. Schieben Sie dann den Schiebescalter wieder auf die Position „I (EIN)“, um die Maschine neu zu starten.
Falls die Maschine nicht startet, ist der Akku überhitzt. Lassen Sie in dieser Situation den Akku abkühlen, bevor Sie den Schiebescalter wieder auf die Position „I (EIN)“ schieben.
- Niedrige Akkuspannung:
Die Akku-Restkapazität ist zu niedrig, und die Maschine funktioniert nicht. Nehmen Sie in dieser Situation den Akku ab, und laden Sie ihn auf.

Schalterfunktion (Abb. 3)

VORSICHT:

- Vergewissern Sie sich vor dem Einsetzen des Akkus in die Maschine stets, dass die Maschine ausgeschaltet ist.

Zum Einschalten der Maschine den Schiebescalter auf die Position „I (EIN)“ schieben.

Zum Ausschalten der Maschine den Schiebescalter auf die Position „O (AUS)“ schieben.

Einstellen der Pendelhubzahl (Abb. 4)

Die Pendelhubzahl ist einstellbar. Um die Pendelhubzahl zu ändern, drehen Sie das Einstellrad zwischen 1 und 6. Je höher die Zahl ist, desto höher ist die Pendelhubzahl. Stellen Sie das Einstellrad vor der Arbeit auf die für Ihr Werkstück geeignete Zahl ein.

HINWEIS:

- Das Einstellrad kann nicht direkt von 1 auf 6 oder von 6 auf 1 gedreht werden. Gewaltiges Weiterdrehen des Einstellrads kann zu einer Beschädigung der Maschine führen. Wenn Sie die Drehrichtung des Einstellrads ändern, drehen Sie es immer über alle Zwischenstellungen.

Einschalten der Frontlampe (Abb. 5)

WARNUNG:

- Blicken Sie auf keinen Fall direkt in das Licht. Der direkte Lichtstrahl verursacht Sehschäden.

Schieben Sie den Schiebescalter auf die Position „I (EIN)“, um die Frontlampe einzuschalten. Die Lampe leuchtet, solange der Schalter auf der Position „I (EIN)“ steht. Die Lampe erlischt automatisch, nachdem die Rückseite des Schiebescalters gedrückt und der Schiebescalter auf die Position „O (AUS)“ geschoben worden ist.

Überlastschutz

Wenn die Maschine überlastet wird und ihre Temperatur ein bestimmtes Niveau erreicht, blinkt die Frontlampe, und die Maschine bleibt automatisch stehen. Beseitigen Sie die Ursache der Überlastung, um die Maschine wieder zu starten.

Anzeigelampe (Abb. 6)

- Wenn die Akku-Restkapazität niedrig wird, blinkt die Anzeigelampe.
- Wenn die Akku-Restkapazität erheblich niedriger wird, bleibt die Maschine während des Betriebs stehen, und die Anzeigelampe leuchtet etwa 10 Sekunden lang auf.

Nehmen Sie in diesem Fall den Akku von der Maschine ab, und laden Sie ihn auf.

MONTAGE

⚠ VORSICHT:

- Vergewissern Sie sich vor der Ausführung von Arbeiten an der Maschine stets, dass die Maschine ausgeschaltet und der Akku abgenommen ist.

Montieren und Demontieren des Anwendungswerkzeugs (Sonderzubehör) (Abb. 7, 8 und 9)

⚠ WARNUNG:

- Montieren Sie das Anwendungswerkzeug nicht verkehrt herum. Wird ein Anwendungswerkzeug verkehrt herum montiert, kann dies zu einer Beschädigung der Maschine und zu schweren Verletzungen führen.
- Montieren Sie das Anwendungswerkzeug in der korrekten Richtung entsprechend der anstehenden Arbeit. Das Anwendungswerkzeug kann in Positionen montiert werden, die jeweils um 30 Grad versetzt sind.

Setzen Sie das Anwendungswerkzeug (Sonderzubehör) auf den Werkzeugflansch, so dass die Vorsprünge des Werkzeugflansches in die Löcher des Anwendungswerkzeugs passen, und sichern Sie das Anwendungswerkzeug, indem Sie die Schraube mit dem Inbusschlüssel festziehen.

Wenn Sie ein Anwendungswerkzeug für Schmirgeln verwenden, montieren Sie das Anwendungswerkzeug so am Schleifkissen, dass es mit der Richtung des Schleifkissens übereinstimmt.

Das Schleifkissen weist ein Klettverschluss-Passsystem auf, das bequemes und schnelles Anbringen von Schleifpapier gestattet.

Da Schleifpapier Löcher für die Staubabsaugung aufweist, montieren Sie das Schleifpapier so, dass sich seine Löcher mit denen im Schleifkissen decken.

Zum Entfernen des Schleifpapiers seine Kante anheben, und das Papier ablösen. Lösen und Entfernen Sie die Montageschraube des Anwendungswerkzeugs mit einem Inbusschlüssel, und nehmen Sie dann das Anwendungswerkzeug ab.

Wenn Sie Anwendungswerkzeuge mit einer anderen Art von Installationsteil benutzen, wählen Sie einen korrekten Adapter (Sonderzubehör) aus.

Inbusschlüssel-Aufbewahrung (Abb. 10)

Der Inbusschlüssel kann an der in der Abbildung gezeigten Stelle aufbewahrt werden, damit er nicht verloren geht.

BETRIEB

⚠ WARNUNG:

- Halten Sie Hände und Gesicht vor dem Starten der Maschine und während des Betriebs vom Anwendungswerkzeug fern.
- Üben Sie keinen übermäßigen Druck auf die Maschine aus, weil dies zu Blockieren des Motors und Stehenbleiben der Maschine führen kann.

Schneiden, Sägen und Schaben (Abb. 11)

Setzen Sie das Anwendungswerkzeug auf das Werkstück.

Schieben Sie dann die Maschine vorwärts, so dass sich die Bewegung des Anwendungswerkzeugs nicht verlangsamt.

HINWEIS:

- Gewaltames Vorschieben oder übermäßiger Druck auf die Maschine können die Arbeitsleistung verringern.
- Vor Beginn von Schneidarbeiten ist es empfehlenswert, die Pendelhubzahl auf 4 – 6 vor einzustellen.

Schmirgeln (Abb. 12)

⚠ WARNUNG:

- Verwenden Sie Schleifpapier, das zum Schleifen von Metall verwendet wurde, nicht zum Schleifen von Holz.
- Verwenden Sie kein abgenutztes Schleifpapier oder Schleifpapier ohne Körnung.

Bringen Sie das Schleifpapier mit dem Werkstück in Kontakt.

HINWEIS:

- Eine Schleifprobe an einem Testmaterial ist empfehlenswert, um die für Ihre Arbeit geeignete Pendelhubzahl zu ermitteln.
- Verwenden Sie Schleifpapier mit derselben Körnung, bis das Schmirgeln des ganzen Werkstücks beendet ist. Wird die Körnung des Schleifpapiers während der Arbeit geändert, erhält man u. U. keine feine Oberflächengüte.

Staubabsaugaufsatz (Sonderzubehör) (Abb. 13 und 14)

- Montieren Sie Absaugstutzen und Staubabsaugaufsatz.
- Montieren Sie das Absaugstutzenband so an der Maschine, dass seine Vorsprünge in den Löchern der Maschine sitzen, um es zu sichern.
- Bringen Sie den Filzring und das Schleifkissen am Staubabsaugaufsatz an, und sichern Sie dann die Teile mit der Anwendungswerkzeug-Montageschraube.

Um größere Sauberkeit bei der Arbeit zu erzielen, kann ein Staubsauger an die Maschine angeschlossen werden. Schließen Sie den Schlauch des Staubsaugers an den Staubabsaugaufsatz (Sonderzubehör) an.

WARTUNG

⚠ VORSICHT:

- Vergewissern Sie sich vor der Durchführung von Inspektions- oder Wartungsarbeiten stets, dass die Maschine ausgeschaltet und der Akku abgenommen ist, außer im Falle der folgenden, auf das Licht bezogenen, Fehlersuche.
- Verwenden Sie auf keinen Fall Benzin, Benzol, Verdünnern, Alkohol oder dergleichen. Solche Mittel können Verfärbung, Verformung oder Rissbildung verursachen.

Um die SICHERHEIT und ZUVERLÄSSIGKEIT dieses Produkts aufrechtzuerhalten, sollten Reparaturen, Überprüfung und Austausch der Kohlebürsten und andere Wartungs- oder Einstellarbeiten nur von Makita-Kundendienstzentren unter ausschließlicher Verwendung von Makita-Originalersatzteilen ausgeführt werden.

SONDERZUBEHÖR

⚠ VORSICHT:

- Die folgenden Zubehörteile oder Vorrichtungen werden für den Einsatz mit der in dieser Anleitung beschriebenen Makita-Maschine empfohlen. Die Verwendung anderer Zubehörteile oder Vorrichtungen kann eine Verletzungsgefahr darstellen. Verwenden Sie Zubehörteile oder Vorrichtungen nur für ihren vorgesehenen Zweck.

Wenn Sie weitere Einzelheiten bezüglich dieser Zubehörteile benötigen, wenden Sie sich bitte an Ihre Makita-Kundendienststelle.

- Segment-Sägeblatt
- Rund-Sägeblatt
- Tauchschnitt-Sägeblatt
- Schaber (starr)
- Schaber (flexibel)
- Kerbverzahntes Segment-Sägeblatt
- Allgemeiner Fugenschneider
- HM-Entferner
- HM-Segment-Sägeblatt
- HM-Schleifscheibe
- Diamantsegment-Sägeblatt
- Schleifkissen
- Adapter
- Schleifpapier Delta (rot / weiß / schwarz)
- Vlies Delta (mittel / grob / ohne Körnung)
- Polierfilz Delta
- Inbusschlüssel
- Staubabsaugaufsatz
- Original-Makita-Akku und -Ladegerät

HINWEIS:

- Manche Teile in der Liste können als Standardzubehör im Werkzeugsatz enthalten sein. Sie können von Land zu Land unterschiedlich sein.

ENG905-1

Geräusch

Typischer A-bewerteter Geräuschpegel ermittelt gemäß EN60745:

Arbeitsmodus: Schleifen

Schalldruckpegel (L_{pA}): 78 dB (A)

Ungewissheit (K): 3 dB (A)

Der Lärmpegel kann während des Betriebs 80 dB (A) überschreiten.

Arbeitsmodus: Schneiden mit Tauchschnitt-Sägeblatt

Modell BTM40

Schalldruckpegel (L_{pA}): 82 dB (A)

Schalleistungspegel (L_{WA}): 93 dB (A)

Ungewissheit (K): 3 dB (A)

Modell BTM50

Schalldruckpegel (L_{pA}): 84 dB (A)

Schalleistungspegel (L_{WA}): 92 dB (A)

Ungewissheit (K): 3 dB (A)

Arbeitsmodus: Schneiden mit Segment-Sägeblatt

Schalldruckpegel (L_{pA}): 81 dB (A)

Schalleistungspegel (L_{WA}): 92 dB (A)

Ungewissheit (K): 3 dB (A)

Arbeitsmodus: Schaben

Modell BTM40

Schalldruckpegel (L_{pA}): 81 dB (A)

Schalleistungspegel (L_{WA}): 92 dB (A)

Ungewissheit (K): 3 dB (A)

Modell BTM50

Schalldruckpegel (L_{pA}): 83 dB (A)

Schalleistungspegel (L_{WA}): 94 dB (A)

Ungewissheit (K): 3 dB (A)

Gehörschutz tragen

ENG900-1

Vibration

Vibrationsgesamt看wert (Drei-Achsen-Vektorsumme) ermittelt gemäß EN60745:

Arbeitsmodus: Schleifen

Vibrationsemission (a_{h1}): 2,5 m/s² oder weniger

Ungewissheit (K): 1,5 m/s²

Arbeitsmodus: Schneiden mit Tauchschnitt-Sägeblatt

Modell BTM40

Vibrationsemission (a_{h1}): 9,5 m/s

Ungewissheit (K): 1,5 m/s²

Modell BTM50

Vibrationsemission (a_{h1}): 10,0 m/s

Ungewissheit (K): 1,5 m/s²

Arbeitsmodus: Schneiden mit Segment-Sägeblatt

Modell BTM40

Vibrationsemission (a_{h1}): 5,0 m/s

Ungewissheit (K): 1,5 m/s²

Modell BTM50

Vibrationsemission (a_{h1}): 5,5 m/s

Ungewissheit (K): 1,5 m/s²

Arbeitsmodus: Schaben

Modell BTM40

Vibrationsemission (a_{h1}): 7,5 m/s

Ungewissheit (K): 1,5 m/s²

Modell BTM50

Vibrationsemission (a_{h1}): 9,5 m/s

Ungewissheit (K): 1,5 m/s²

- Der angegebene Vibrationsemissionswert wurde im Einklang mit der Standardprüfmethode gemessen und kann für den Vergleich zwischen Maschinen herangezogen werden.
- Der angegebene Vibrationsemissionswert kann auch für eine Vorbewertung des Gefährdungsgrads verwendet werden.

⚠️ WARNUNG:

- Die Vibrationsemission während der tatsächlichen Benutzung des Elektrowerkzeugs kann je nach der Benutzungsweise der Maschine vom angegebenen Emissionswert abweichen.
- Identifizieren Sie Sicherheitsmaßnahmen zum Schutz des Benutzers anhand einer Schätzung des Gefährdungsgrads unter den tatsächlichen Benutzungsbedingungen (unter Berücksichtigung aller Phasen des Arbeitszyklus, wie z. B. Ausschalt- und Leerlaufzeiten der Maschine zusätzlich zur Betriebszeit).

ENH101-15

Nur für europäische Länder

EG-Übereinstimmungserklärung

Wir, die Firma Makita als verantwortlicher Hersteller, erklären, dass die folgende(n) Makita-Maschine(n):

Bezeichnung der Maschine:

Akku-Multifunktions-Werkzeug

Modell-Nr./ Typ: BTM40, BTM50

der Serienproduktion entstammen und

den folgenden europäischen Richtlinien entsprechen:

2006/42/EG

und gemäß den folgenden Standards oder standardisierten Dokumenten hergestellt werden:

EN60745

Die technische Dokumentation befindet sich im Bestand unserer autorisierten Vertretung in Europa, nämlich:

Makita International Europe Ltd.

Michigan Drive, Tongwell,

Milton Keynes, Bucks MK15 8JD, England

20.10.2011



Tomoyasu Kato

Direktor

Makita Corporation

3-11-8, Sumiyoshi-cho,

Anjo, Aichi, 446-8502, JAPAN

Visione generale

- | | | |
|-------------------------|--|---------------------------------|
| 1 Bottone | 9 Bullone di installazione attrezzo applicativo | 15 Bandella bocchetta |
| 2 Indicatore rosso | 10 Fori attrezzo applicativo | 16 Bocchetta polvere |
| 3 Batteria | 11 Sporgenze flangia utensile | 17 Accessorio polvere |
| 4 Marchio di stella | 12 Chiave esagonale | 18 Anello di feltro |
| 5 Interruttore laterale | 13 Stringere | 19 Piattello |
| 6 Ghiera | 14 Adattatore (necessario per alcuni attrezzi applicativi) | 20 Fori utensile |
| 7 Lampadina anteriore | | 21 Sporgenze bandella bocchetta |
| 8 Spia di indicazione | | |

DATI TECNICI

Modello		BTM40	BTM50
Oscillazioni al minuto		6.000 – 20.000 (min ⁻¹)	
Angolo di oscillazione, sinistro/destro		1,6° (totale di 3,2°)	
Lunghezza totale		324 mm	
Peso netto	senza accessorio di estrazione polvere	1,9 kg	2,0 kg
	con accessorio di estrazione polvere	2,0 kg	2,1 kg
Tensione nominale		C.c. 14,4 V	C.c. 18 V

- Per il nostro programma di ricerca e sviluppo continui, i dati tecnici sono soggetti a modifiche senza preavviso.
- I dati tecnici e la cartuccia batteria potrebbero differire da paese a paese.
- Peso, con batteria, secondo la Procedura EPTA 01/2003

GEB094-2

ENE080-1

Utilizzo previsto

Questo utensile è progettato per segare e tagliare il legno, plastica, gesso, metalli non ferrosi, e per fissare elementi (per es., chiodi e graffette non induriti). Esso è progettato anche per la lavorazione delle piastrelle morbide per pareti, come pure per la carteggiatura a secco e la scrostatura di piccole superfici. È progettato soprattutto per la lavorazione vicino ai bordi e il taglio a raso.

GEA010-1

Avvertimenti generali per la sicurezza dell'utensile elettrico

⚠ AVVERTIMENTO Leggere tutti gli avvertimenti per la sicurezza e le istruzioni. La mancata osservanza degli avvertimenti e delle istruzioni può causare scosse elettriche, incendio e/o gravi incidenti.

Conservare tutti gli avvertimenti e le istruzioni per riferimenti futuri.

AVVERTIMENTI DI SICUREZZA PER L'UTENSILE MULTIFUNZIONE A BATTERIA

1. Questo utensile elettrico è progettato per la segatura, il taglio, la smerigliatura e la carteggiatura. Leggere tutti gli avvertimenti per la sicurezza, le istruzioni, le illustrazioni e i dati tecnici forniti con questo utensile elettrico. Se non si seguono le istruzioni elencate sotto, c'è pericolo di scosse elettriche, incendio e/o gravi incidenti.
2. Tenere l'utensile elettrico per le superfici isolate quando si esegue una operazione in cui l'accessorio di taglio potrebbe fare contatto con fili elettrici nascosti. L'accessorio di taglio che fa contatto con un filo elettrico "sotto tensione" potrebbe mettere "sotto tensione" le parti metalliche esposte dell'utensile elettrico e dare una scossa all'operatore.
3. Usare morse o altri dispositivi pratici per fissare e supportare il pezzo su una piattaforma stabile. Se si tiene il pezzo a mano o contro il proprio corpo lo si rende instabile e potrebbe causare una perdita di controllo.
4. Usare sempre occhiali di sicurezza o di protezione. I comuni occhiali o gli occhiali da sole NON sono occhiali di sicurezza.
5. Evitare di tagliare i chiodi. Accertarsi che nel pezzo non ci siano chiodi, e rimuoverli prima di cominciare il lavoro.
6. Tenere saldamente l'utensile.
7. Accertarsi che l'attrezzo applicativo non faccia contatto con il pezzo prima di azionare l'interruttore.
8. Tenere sempre le mani lontane dalle parti in movimento.

9. Non lasciare l'utensile mentre sta funzionando. Far funzionare l'utensile soltanto tenendolo in mano.
10. Spegnerne sempre l'utensile e aspettare che la lama si sia arrestata completamente prima di rimuoverla dal pezzo.
11. Non toccare l'attrezzo applicativo o il pezzo immediatamente dopo una operazione. Essi potrebbero essere estremamente caldi e causare bruciature sulla pelle.
12. Non far funzionare inutilmente l'utensile senza carico.
13. Usare sempre la mascherina/respiratore corretti per il materiale e l'applicativo con cui si lavora.
14. Alcuni materiali contengono sostanze chimiche che potrebbero essere tossiche. Fare attenzione per evitare di inspirare la polvere e il contatto con la pelle. Seguire i dati per la sicurezza del fornitore del materiale.
15. Questo utensile non è stato impermeabilizzato, per cui non si deve usare acqua sulla superficie del pezzo.
16. Ventilare adeguatamente l'area di lavoro quando si eseguono le operazioni di carteggiatura.
17. L'utilizzo di questo utensile per la carteggiatura di alcuni prodotti, vernici e legni potrebbero esporre l'operatore a polvere contenente sostanze pericolose. Usare una protezione appropriata per la respirazione.
18. Accertarsi che non ci siano crepe o rotture sul platorello prima dell'uso. Le crepe o rotture possono causare un incidente.
19. Non usare accessori che non sono specificatamente progettati e consigliati dal produttore dell'utensile. Il solo fatto che un accessorio possa essere attaccato all'utensile elettrico non ne assicura l'utilizzo sicuro.
20. Indossare una attrezzatura di protezione. A seconda dell'applicazione, usare una visiera, occhiali di sicurezza o occhiali di protezione. Indossare protezioni per le orecchie, guanti e un grembiule di lavoro in grado di arrestare piccoli frammenti abrasivi o del pezzo. La protezione per gli occhi deve essere in grado di arrestare i frammenti volanti generati dalle varie operazioni. La mascherina o respiratore antipolvere deve essere in grado di filtrare le particelle generate durante il lavoro. L'esposizione prolungata al rumore ad alta intensità potrebbe causare la perdita dell'udito.
21. Tenere gli astanti lontani a una distanza di sicurezza dall'area di lavoro. Chiunque entri nell'area di lavoro deve indossare una attrezzatura personale di sicurezza. I frammenti del pezzo o di un accessorio rotto potrebbero volare via e causare un incidente oltre l'area immediata del lavoro.
22. Non si deve mai posare l'utensile elettrico finché l'accessorio non si è arrestato completamente. L'accessorio che gira potrebbe far presa sulla superficie e tirare l'utensile elettrico fuori dal controllo dell'operatore.
23. L'operatore non deve far funzionare l'utensile elettrico mentre lo trasporta sul proprio fianco. Il contatto accidentale con l'accessorio potrebbe far presa sul vestito ed essere attirato nel corpo.
24. Non far funzionare l'utensile elettrico vicino a materiali infiammabili. Le scintille potrebbero infiammare tali materiali.
25. Non usare accessori che richiedono refrigeranti liquidi. L'utilizzo di acqua o di altri refrigeranti liquidi potrebbe causare elettrocuzione o scosse elettriche.
26. Accertarsi sempre che l'utensile sia spento e staccato dalla presa di corrente, o che la batteria sia stata rimossa prima di eseguire un qualsiasi lavoro sull'utensile.
27. Accertarsi che i piedi siano appoggiati saldamente. Accertarsi che non ci siano persone sotto quando si usa l'utensile in luoghi alti.

CONSERVARE QUESTE ISTRUZIONI.



AVVERTIMENTO:

NON lasciare che la comodità o la familiarità d'utilizzo con il prodotto (acquisita con l'uso ripetuto) sostituisca la stretta osservanza delle norme di sicurezza. L'utilizzo SBAGLIATO o la mancata osservanza delle norme di sicurezza di questo manuale di istruzioni potrebbero causare lesioni serie.

ENC007-7

ISTRUZIONI IMPORTANTI DI SICUREZZA

PER LA CARTUCCIA DELLA BATTERIA

1. Prima di usare la cartuccia della batteria, leggere tutte le istruzioni e le avvertenze sul (1) carica-batteria, sulla (2) batteria e sul (3) prodotto che utilizza la batteria.
2. Non smontare la cartuccia della batteria.
3. Se il tempo di utilizzo è diventato molto corto, smettere immediatamente di usare l'utensile. Può risultare un rischio di surriscaldamento, possibili ustioni e addirittura un'esplosione.
4. Se l'elettrolita va negli occhi, risciacquarli con acqua pulita e rivolgersi immediatamente ad un medico. Può risultare la perdita della vista.
5. Non cortocircuitare la cartuccia della batteria:
 - (1) Non toccare i terminali con qualche metallo conduttivo.
 - (2) Evitare di conservare la cartuccia della batteria in un contenitore con altri oggetti metallici come i chiodi, le monete, ecc.
 - (3) Non esporre la cartuccia della batteria all'acqua o alla pioggia.
 Un cortocircuito della batteria può causare un grande flusso di corrente, il surriscaldamento, possibili ustioni e addirittura un guasto.
6. Non conservare l'utensile e la cartuccia della batteria in luoghi in cui la temperatura può raggiungere o superare i 50°C.
7. Non incenerire la cartuccia della batteria anche se è gravemente danneggiata o è completamente esaurita. La cartuccia della batteria può esplodere e provocare un incendio.
8. Fare attenzione a non lasciar cadere o a colpire la batteria.
9. Non usare una batteria danneggiata.

CONSERVARE QUESTE ISTRUZIONI.

Suggerimenti per mantenere la durata massima della batteria

1. **Caricare la cartuccia della batteria prima che si scarichi completamente.**
Smettere sempre di usare l'utensile e caricare la cartuccia della batteria quando si nota che la potenza dell'utensile è diminuita.
2. **Non ricaricare mai una cartuccia della batteria completamente carica.** La sovraccarica riduce la durata della batteria.
3. **Caricare la cartuccia della batteria con la temperatura ambiente da 10°C a 40°C.** Lasciar raffreddare una cartuccia della batteria calda prima di caricarla.
4. **Caricare la cartuccia della batteria una volta ogni sei mesi se non si intende usarla per un lungo periodo di tempo.**

DESCRIZIONE FUNZIONALE

⚠ AVVERTIMENTO:

- **Accertarsi sempre che l'utensile sia spento e che la batteria sia stata rimossa prima di regolare o di controllare il funzionamento dell'utensile.** Se l'utensile non viene spento e la batteria rimossa si potrebbe verificare un grave incidente dovuto al suo avviamento accidentale.

Installazione o rimozione della batteria (Fig. 1)

⚠ ATTENZIONE:

- Spegnere sempre l'utensile prima di installare o di rimuovere la batteria.
- **Tenere saldamente l'utensile e la batteria quando si installa o si rimuove la batteria.** Se non si tengono saldamente l'utensile e la batteria, potrebbero sfuggire di mano con conseguente danno dell'utensile e della batteria e un incidente.

Per rimuovere la batteria, toglierla dall'utensile spingendo allo stesso tempo il bottone sulla parte anteriore della batteria.

Per installare la batteria, allineare l'appendice della batteria sulla scanalatura dell'alloggiamento e spingerla in posizione. Inserirli completamente finché si blocca in posizione con uno piccolo scatto. Se si vede l'indicatore rosso sul lato superiore del bottone, vuol dire che la batteria non è bloccata completamente.

⚠ ATTENZIONE:

- Installare sempre completamente la batteria finché l'indicatore rosso non è più visibile. In caso contrario, potrebbe cadere accidentalmente fuori dall'utensile causando un incidente all'operatore o a chi gli è vicino.
- Non installare forzatamente la batteria. Se la batteria non scivola dentro facilmente, vuol dire che non viene inserita correttamente.

Sistema di protezione della batteria (batteria agli ioni di litio con marchio di stella) (Fig. 2)

Le batterie agli ioni di litio con marchio di stella sono dotate di un sistema di protezione. Questo sistema interrompe automaticamente la corrente all'utensile per estendere la vita di servizio della batteria.

L'utensile si arresta automaticamente mentre sta funzionando se esso e/o la batteria vengono a trovarsi in una delle condizioni seguenti:

- **Sovraccarico:**
L'utensile viene usato in un modo che causa un suo assorbimento anormalmente alto di corrente.
In tal caso, spingere l'interruttore scorrevole dell'utensile verso la posizione "O (OFF)" e smettere l'operazione che causa il sovraccarico dell'utensile. Spingere poi l'interruttore scorrevole verso la posizione "I (ON)" per riavviarlo.
Se l'utensile non si riavvia, vuol dire che è sovraccarica la batteria. In tal caso, lasciar raffreddare la batteria prima di spingere di nuovo l'interruttore scorrevole verso la posizione "I (ON)".
- **Bassa tensione della batteria:**
La capacità restante della batteria è troppo bassa e l'utensile non funziona. In tal caso, rimuovere e ricaricare la batteria.

Funzionamento dell'interruttore (Fig. 3)

⚠ ATTENZIONE:

- Prima di installare la batteria nell'utensile, controllare sempre che sia spento.

Per avviare l'utensile, spingere l'interruttore laterale verso la posizione "I (ON)".

Per arrestare l'utensile, spingere l'interruttore laterale verso la posizione "O (OFF)".

Regolazione della velocità di corsa orbitale (Fig. 4)

La velocità di corsa orbitale è regolabile. Per cambiare la velocità di corsa orbitale, girare la ghiera tra 1 e 6. La velocità di corsa orbitale è tanto più alta quanto più alto è il numero. Predisporre la ghiera sul numero adatto al pezzo.

NOTA:

- La ghiera non può essere girata direttamente da 1 a 6 o da 6 a 1. Forzando la ghiera si potrebbe danneggiare l'utensile. Quando si cambia la direzione della ghiera, girare sempre la ghiera spostandola tra ciascun numero intermedio.

Accensione della lampadina anteriore (Fig. 5)

⚠ AVVERTIMENTO:

- Non guardare mai direttamente la luce. La luce diretta danneggia gli occhi.

Spingere l'interruttore scorrevole verso la posizione "I (ON)" per accendere la lampadina anteriore. La lampadina rimane accesa mentre l'interruttore è sulla posizione "I (ON)". La lampadina si spegne automaticamente quando si preme la parte posteriore dell'interruttore scorrevole e lo si spinge poi verso la posizione "O (OFF)".

Protezione dal sovraccarico

Se si verifica un sovraccarico dell'utensile e la sua temperatura raggiunge un certo livello, la lampadina anteriore lampeggia e l'utensile si arresta automaticamente. Rimediare la causa del sovraccarico per riavviarlo.

Spia di indicazione (Fig. 6)

- Quando la capacità restante della batteria diventa bassa, la spia di indicazione lampeggia.
- Se la capacità restante della batteria diventa molto bassa, l'utensile si arresta mentre sta funzionando e la spia di indicazione si accende per circa 10 secondi.

A questo punto, rimuovere la batteria dall'utensile e ricaricarla.

MONTAGGIO

ATTENZIONE:

- Accertarsi sempre che l'utensile sia spento e che la batteria sia stata rimossa prima di qualsiasi intervento sull'utensile.

Installazione o rimozione dell'attrezzo applicativo (accessorio opzionale) (Figg. 7, 8 e 9)

AVVERTIMENTO:

- Non installare l'attrezzo applicativo capovolto. Installando l'attrezzo applicativo capovolto si potrebbe danneggiare l'utensile e potrebbe causare una grave incidente.
- Installare l'attrezzo applicativo nella direzione corretta secondo il lavoro. L'attrezzo applicativo può essere installato ad angoli di 30 gradi ciascuno.

Mettere l'attrezzo applicativo (accessorio opzionale) sulla flangia dell'utensile, in modo che le sporgenze della flangia entrino nei fori dell'attrezzo applicativo, e fissare l'attrezzo applicativo stringendo saldamente il bullone con la chiave esagonale.

Per usare l'attrezzo applicativo di carteggiatura, montarlo sul platello di carteggiatura in modo corrispondente alla direzione del platello di carteggiatura.

Il platello di carteggiatura ha un sistema di montaggio del tipo ad aggancio e anello che permette il facile e rapido montaggio della carta vetrata.

Poiché le carte vetrata hanno fori per l'estrazione della polvere, montare la carta vetrata in modo che i suoi fori si trovino su quelli del platello di carteggiatura.

Per rimuovere una carta vetrata, sollevare la sua estremità e staccarla via. Allentare e rimuovere il bullone di installazione dell'attrezzo applicativo usando una chiave esagonale, e rimuovere poi l'attrezzo applicativo.

Se si usano accessori applicativi con una sezione di installazione di tipo diverso, usare un adattatore corretto (accessorio opzionale).

Conservazione della chiave esagonale (Fig. 10)

Quando non la si usa, riporre la chiave esagonale come mostrato nella illustrazione per evitare di perderla.

FUNZIONAMENTO

AVVERTIMENTO:

- Prima di avviare l'utensile e durante il lavoro, tenere le mani e il viso lontani dall'attrezzo applicativo.
- Non applicare un carico eccessivo sull'utensile, perché ciò potrebbe causare il blocco del motore e arrestare l'utensile.

Taglio, segatura e scrostatura (Fig. 11)

Mettere l'attrezzo applicativo sul pezzo.

Muovere poi in avanti l'utensile in modo che il movimento dell'attrezzo applicativo non rallenti.

NOTA:

- Una forzatura o una pressione eccessiva sull'utensile potrebbero ridurne l'efficienza.
- Prima di una operazione di taglio, si consiglia di predisporre la velocità di corsa orbitale a 4 – 6.

Carteggiatura (Fig. 12)

AVVERTIMENTO:

- Per la carteggiatura del legno non si deve riusare una carta vetrata usata per la carteggiatura dei metalli.
- Non usare una carta vetrata usurata, o una carta vetrata senza graniglia.

Adoperare la carta vetrata sul pezzo.

NOTA:

- Si consiglia di usare un campione di materiale di prova per determinare la velocità di corsa orbitale corretta adatta al lavoro.
- Usare una carta vetrata con la stessa graniglia fino al completamento della carteggiatura del pezzo. Se si sostituisce la carta vetrata con un'altra avente una graniglia diversa si potrebbe non ottenere una buona rifinitura.

Accessorio di estrazione polvere (accessorio opzionale) (Figg. 13 e 14)

- Installare le bocchette polvere e l'accessorio polvere.
- Installare la bandella bocchetta sull'utensile, in modo che le sue sporgenze entrino nei fori dell'utensile per fissarla.
- Montare l'anello di feltro e il platello di carteggiatura sull'accessorio polvere, e fissarli poi con il bullone di installazione degli attrezzi applicativi.

Se si desidera eseguire delle operazioni più pulite, collegare un aspiratore all'utensile. Collegare il tubo flessibile dell'aspiratore all'accessorio di estrazione polvere (accessorio opzionale).

MANUTENZIONE

ATTENZIONE:

- Accertarsi sempre che l'utensile sia spento e di aver rimosso la batteria prima di cercare di eseguire l'ispezione o la manutenzione, eccetto per la correzione dei problemi relativi alla lampadina.
- Mai usare benzina, benzene, solventi, alcol e altre sostanze simili. Potrebbero causare scolorimenti, deformazioni o crepe.

Per preservare la SICUREZZA e l'AFFIDABILITÀ del prodotto, le riparazioni, l'ispezione e la sostituzione della spazzole di carbone o qualsiasi altra manutenzione e regolazione devono essere eseguite da un Centro Assistenza Makita autorizzato usando sempre ricambi Makita.

ACCESSORI OPZIONALI

ATTENZIONE:

- Questi accessori o attrezzi sono consigliati per l'uso con l'utensile Makita specificato in questo manuale. L'impiego di altri accessori o attrezzi può costituire un rischio di lesioni alle persone. Usare gli accessori soltanto per il loro scopo prefissato.

Per ottenere maggiori dettagli su questi accessori o attrezzi, rivolgersi a un Centro Assistenza Makita autorizzato.

- Lama sega a segmenti
- Lama sega rotonda
- Lama sega di taglio con perforazione
- Raschietto (rigido)
- Raschietto (flessibile)
- Lama a segmenti a denti di sega
- Troncatrice generale giunti
- Sverniciatore HM
- Lama sega a segmenti HM
- Piastra di carteggiatura HM
- Lama sega a segmenti diamantata
- Platorello di carteggiatura
- Adattatore
- Triangolo carta abrasiva (rosso/bianco/nero)
- Triangolo vello (medio/ruvido/senza graniglia)
- Triangolo feltro di lucidatura
- Chiave esagonale
- Accessorio di estrazione polvere
- Batteria e caricatore genuini Makita

NOTA:

- Alcuni articoli nella lista potrebbero essere inclusi nell'imballaggio dell'utensile come accessori standard. Essi potrebbero differire da Paese a Paese.

Rumore

ENG905-1

Il tipico livello di rumore pesato A determinato secondo EN60745:

Modalità operativa: carteggiatura

Livello pressione sonora (L_{pA}): 78 dB (A)
Incertezza (K): 3 dB (A)

Il livello di rumore durante il lavoro potrebbe superare gli 80 dB (A).

Modalità operativa: taglio con la lama sega di perforazione

Modello BTM40

Livello pressione sonora (L_{pA}): 82 dB (A)
Livello potenza sonora (L_{WA}): 93 dB (A)
Incertezza (K): 3 dB (A)

Modello BTM50

Livello pressione sonora (L_{pA}): 84 dB (A)
Livello potenza sonora (L_{WA}): 95 dB (A)
Incertezza (K): 3 dB (A)

Modalità operativa: taglio con la lama sega a settori

Livello pressione sonora (L_{pA}): 81 dB (A)
Livello potenza sonora (L_{WA}): 92 dB (A)
Incertezza (K): 3 dB (A)

Modalità operativa: disincrostazione

Modello BTM40

Livello pressione sonora (L_{pA}): 81 dB (A)
Livello potenza sonora (L_{WA}): 92 dB (A)
Incertezza (K): 3 dB (A)

Modello BTM50

Livello pressione sonora (L_{pA}): 83 dB (A)
Livello potenza sonora (L_{WA}): 94 dB (A)
Incertezza (K): 3 dB (A)

Indossare i paraorecchi

ENG900-1

Vibrazione

Il valore totale di vibrazione (somma vettore triassiale) determinato secondo EN60745:

Modalità operativa: carteggiatura

Emissione di vibrazione (a_{h}): 2,5 m/s² o meno
Incertezza (K): 1,5 m/s²

Modalità operativa: taglio con la lama sega di perforazione

Modello BTM40

Emissione di vibrazione (a_{h}): 9,5 m/s²
Incertezza (K): 1,5 m/s²

Modello BTM50

Emissione di vibrazione (a_{h}): 10,0 m/s²
Incertezza (K): 1,5 m/s²

Modalità operativa: taglio con la lama sega a settori

Modello BTM40

Emissione di vibrazione (a_{h}): 5,0 m/s²
Incertezza (K): 1,5 m/s²

Modello BTM50

Emissione di vibrazione (a_{h}): 5,5 m/s²
Incertezza (K): 1,5 m/s²

Modalità operativa: disincrostazione

Modello BTM40

Emissione di vibrazione (a_{h}): 7,5 m/s²
Incertezza (K): 1,5 m/s²

Modello BTM50

Emissione di vibrazione (a_{h}): 9,5 m/s²
Incertezza (K): 1,5 m/s²

ENG901-1

- Il valore di emissione delle vibrazioni dichiarato è stato misurato conformemente al metodo di test standard, e può essere usato per paragonare un utensile con un altro.
- Il valore di emissione delle vibrazioni dichiarato può anche essere usato per una valutazione preliminare dell'esposizione.

AVVERTIMENTO:

- L'emissione delle vibrazioni durante l'uso reale dell'utensile elettrico può differire dal valore di emissione dichiarato a seconda dei modi in cui viene usato l'utensile.
- Identificare le misure di sicurezza per la protezione dell'operatore basate sulla stima dell'esposizione nelle condizioni reali d'utilizzo (tenendo presente tutte le parti del ciclo operativo, come le volte in cui l'utensile viene spento e quando gira a vuoto, oltre al tempo di funzionamento).

Modello per l'Europa soltanto

Dichiarazione CE di conformità

Noi della Makita Corporation, come produttori responsabili, dichiariamo che le macchine Makita seguenti:

Designazione della macchina:

Utensile multifunzione a batteria

Modello No./Tipo: BTM40, BTM50

sono una produzione di serie e

conformi alle direttive europee seguenti:

2006/42/CE

E sono fabbricate conformemente ai seguenti standard o documenti standardizzati:

EN60745

La documentazione tecnica è tenuta dal nostro rappresentante autorizzato in Europa, che è:

Makita International Europe Ltd.

Michigan Drive, Tongwell,

Milton Keynes, Bucks MK15 8JD, England

20.10.2011



Tomoyasu Kato

Amministratore

Makita Corporation

3-11-8, Sumiyoshi-cho,

Anjo, Aichi, 446-8502, JAPAN

Verklaring van algemene gegevens

1 Knop	9 Werktuigmontagebout	16 Stofmondstuk
2 Rode indicator	10 Openingen in het werktuig	17 Stofzuigaansluitstuk
3 Accu	11 Nokken van de werktuigflens	18 Viltten ring
4 Stermarkering	12 Zeskant-inbussleutel	19 Schuurblok
5 Stroomschakelaar	13 Vastdraaien	20 Openingen in gereedschap
6 Instelknop	14 Adapter (vereist voor bepaalde werktuigen)	21 Nokken aan de mondstukkleem
7 Voorste lamp		
8 Verklikkerlampje	15 Mondstukkleem	

TECHNISCHE GEGEVENS

Model		BTM40	BTM50
Oscillaties per minuut		6 000 – 20 000 (min ⁻¹)	
Uitslaghoek links/rechts		1,6° (totaal 3,2°)	
Totale lengte		324 mm	
Nettogewicht	zonder stofzuigaansluitstuk	1,9 kg	2,0 kg
	met stofzuigaansluitstuk	2,0 kg	2,1 kg
Nominale spanning		D.C. 14,4 V	D.C. 18 V

GEB094-2

- In verband met ononderbroken research en ontwikkeling behouden wij ons het recht voor bovenstaande technische gegevens te wijzigen zonder voorafgaande kennisgeving.
- De technische gegevens de accu kunnen van land tot land verschillen.
- Gewicht, inclusief accu, volgens de EPTA-procedure 01/2003

ENE080-1

Doeleinden van gebruik

Dit gereedschap is bestemd voor het zagen en snijden in hout, plastic, gipsplaten, lichte metalen en sommige montagematerialen (zoals zachte spijkers en nieten). Het is tevens bestemd voor het werken met zachte wandtegels en het droog schuren en afkrabben van kleine oppervlakken. Het is bij uitstek geschikt voor werken langs randen en voor egaal bijsnijden.

GEA010-1

Algemene veiligheidsaanschuivingen voor elektrisch gereedschap

⚠ WAARSCHUWING! Lees alle veiligheidsaanschuivingen en alle instructies. Het niet volgen van de waarschuwingen en instructies kan leiden tot elektrische schokken, brand en/of ernstig letsel.

Bewaar alle waarschuwingen en instructies om in de toekomst te kunnen raadplegen.

VEILIGHEIDSVOORSCHRIFTEN VOOR DE SNOERLOZE ZAAG- EN SCHUURMACHINE

1. Dit elektrisch gereedschap is bestemd voor zagen, snijden, slijpen en polijsten. Lees alle veiligheidsvoorschriften, aanwijzingen, afbeeldingen en technische specificaties behorend bij dit gereedschap aandachtig door. Als u niet alle onderstaande aanwijzingen naleeft, kan dat resulteren in brand, elektrische schokken en/of ernstig letsel.
2. Houd elektrisch gereedschap alleen vast aan de geïsoleerde handgrepen wanneer de kans bestaat dat het werktuig in aanraking komt met verborgen bedrading. Als een draad die onder stroom staat wordt ingesneden, kunnen de metalen delen van het gereedschap ook onder stroom komen te staan en kunt u een gevaarlijke schok krijgen.
3. Gebruik klemmen of dergelijke voorzieningen om uw werkstuk aan een stabiele ondergrond vast te klemmen. Een werkstuk dat u in de hand houdt of tegen uw lichaam aan drukt, kan al te vrijelijk bewegen en onhoudbaar worden.
4. Draag altijd een veiligheidsbril, stofbril of -masker. Een gewone bril of zonnebril biedt NIET de nodige veiligheid.
5. Zorg dat u niet in spijkers snijdt. Controleer uw werkstuk vooraf op de aanwezigheid van spijkers en verwijder die.
6. Houd het gereedschap stevig vast.
7. Let vooral op dat het werktuig bij inschakelen nog niet in aanraking komt met uw werkstuk.
8. Kom met uw handen niet te dicht bij bewegende onderdelen.
9. Laat het gereedschap niet ingeschakeld achter. Schakel het gereedschap alleen in wanneer u het stevig vasthoudt.

10. Schakel eerst het gereedschap uit en wacht tot het werktuig volledig tot stilstand is gekomen, voordat u het gereedschap van het werkstuk haalt.
11. Raak het werktuig of het bewerkte deel van uw werkstuk niet onmiddellijk na het werk aan; deze delen kunnen bijzonder heet worden en u zou zich kunnen branden.
12. Laat het gereedschap niet onnodig lang draaien in onbelaste toestand.
13. Gebruik altijd het juiste stofmasker of ademhalingsapparaat voor het materiaal en de toepassing waar u aan werkt.
14. Bepaalde materialen kunnen giftige chemicaliën bevatten. Vermijd dan het contact met uw huid en zorg dat u geen stof inademt. Volg de veiligheidsvoorschriften van de fabrikant van het materiaal.
15. Dit gereedschap is niet waterdicht, dus zorg dat er geen water op de oppervlakken van uw werkstuk komt.
16. Zorg voor voldoende ventilatie bij het schuren van werkstukken.
17. Bij gebruik van dit gereedschap voor het schuren van bepaalde materialen, verf en houtsoorten kunt u worden blootgesteld aan stof dat uw gezondheid kan schaden. Gebruik een geschikt stofmasker of ademhalingsapparaat.
18. Controleer of er geen barsten of scheuren in het schuurblok zijn voordat u gaat werken. Barsten of breuken zouden kunnen leiden tot lichamelijke letsels.
19. Gebruik geen accessoires die niet specifiek ontworpen en goedgekeurd zijn door de fabrikant van dit gereedschap. Ook al past een accessoire wel op uw elektrisch gereedschap, dan nog staat dit niet altijd garant voor een veilige werking.
20. Draag beschermende kleding en dergelijke. Afhankelijk van de toepassing dient u ook een gezichtsmasker, veiligheidsbril of stofmasker te dragen. Draag naar vereist ook oorbeschermers, werkhandschoenen en een werkschort dat bescherming biedt tegen rondvliegende spaanders of scherp gruis. Een afdoende oogbescherming moet in staat zijn om tijdens het werk rondvliegende spaanders of scherp gruis tegen te houden. Het stofmasker of ademhalingsapparaat moet alle vrijkomende deeltjes uit de lucht die u inademt te filteren. Langdurige blootstelling aan hard lawaai kan uw gehoor aantasten.
21. Houd omstanders op veilige afstand tijdens het gebruik van elektrisch gereedschap. Iedereen die uw werkterrein betreedt, moet beschermende kleding dragen. Er zouden splinters van uw werkstuk of van een afgebroken accessoire kunnen rondvliegen, met kans op verwondingen, ook buiten uw onmiddellijke werkomgeving.
22. Leg het gereedschap altijd pas neer nadat het werktuig volledig tot stilstand is gekomen. Als het werktuig nog draait, kan het de ondergrond aangrijpen en het gereedschap uit uw handen trekken.
23. Loop niet met het gereedschap terwijl het nog draait. Als het werktuig tegen uw kleding aan zou komen, kan de draaibeweging het tegen uw lichaam aan trekken, met kans op letsels.
24. Gebruik het gereedschap niet in de buurt van licht ontvlambare materialen. Als er vonken overspringen, zou er brand kunnen ontstaan.
25. Gebruik geen accessoires waarvoor koeling met vloeistof vereist is. Het gebruik van water of een andere koelvloeistof kan leiden tot een elektrische schok, met gevaar voor elektrocutie.
26. Zorg altijd dat het gereedschap is uitgeschakeld en de accu is verwijderd alvorens enig werk aan het gereedschap uit te voeren.
27. Zorg ook altijd dat u stevig op een solide bodem staat. Let bij het werken op hoge plaatsen op dat er zich niemand recht onder u bevindt.

BEWAAR DEZE VOORSCHRIFTEN.

⚠ WAARSCHUWING:

Laat u NIET misleiden door een vals gevoel van comfort en bekendheid met het gereedschap (na veelvuldig gebruik) en neem alle veiligheidsvoorschriften van het betreffende gereedschap altijd strikt in acht. VERKEERD GEBRUIK of het niet naleven van de veiligheidsvoorschriften in deze gebruiksaanwijzing kan leiden tot ernstige verwondingen.

ENC007-7

BELANGRIJKE VEILIGHEIDSVORSCHRIFTEN

VOOR ACCU

1. Lees alle voorschriften en waarschuwingen op (1) de acculader, (2) de accu, en (3) het product waarvoor de accu wordt gebruikt, aandachtig door alvorens de acculader in gebruik te nemen.
2. Neem de accu niet uit elkaar.
3. Als de gebruiktijd van een opgeladen accu aanzienlijk korter is geworden, moet u het gebruik ervan onmiddellijk stopzetten. Voortgezet gebruik kan oververhitting, brandwonden en zelfs een ontploffing veroorzaken.
4. Als er elektrolyt in uw ogen is terechtgekomen, spoel dan uw ogen met schoon water en roep onmiddellijk de hulp van een dokter in. Elektrolyt in de ogen kan blindheid veroorzaken.
5. Voorkom kortsluiting van de accu:
 - (1) Raak de accuklemmen nooit aan met een geleidend materiaal.
 - (2) Bewaar de accu niet in een bak waarin andere metalen voorwerpen zoals spijkers, munten e.d. worden bewaard.
 - (3) Stel de accu niet bloot aan water of regen. Kortsluiting van de accu kan oorzaak zijn van een grote stroomafgifte, oververhitting, brandwonden, en zelfs defecten.
6. Bewaar het gereedschap en de accu niet op plaatsen waar de temperatuur kan oplopen tot 50°C of hoger.
7. Werp de accu nooit in het vuur, ook niet wanneer hij zwaar beschadigd of volledig versleten is. De accu kan namelijk ontploffen in het vuur.
8. Wees voorzichtig dat u de accu niet laat vallen en hem niet blootstelt aan schokken of stoten.
9. Gebruik nooit een beschadigde accu.

BEWAAR DEZE VOORSCHRIFTEN.

Tips voor een maximale levensduur van de accu

1. Laad de accu op voordat hij volledig ontladen is. Stop het gebruik van het gereedschap en laad de accu op telkens wanneer u vaststelt dat het vermogen van het gereedschap is afgenomen.
2. Laad een volledig opgeladen accu nooit opnieuw op. Als u de accu te veel oplaadt, zal hij minder lang meegaan.
3. Laad de accu op bij een kamertemperatuur tussen 10°C en 40°C. Laat een warme accu afkoelen alvorens hem op te laden.
4. Laad de accu zeker elk half jaar een keer op, ook als u deze geruime tijd lang niet gebruikt.

BESCHRIJVING VAN DE FUNCTIES

⚠ WAARSCHUWING:

- Zorg altijd dat het gereedschap is uitgeschakeld en de accu ervan is verwijderd alvorens de functies op het gereedschap af te stellen of te controleren. Vergeten het apparaat uit te schakelen en de accu te verwijderen kan leiden tot ernstige verwondingen, als het apparaat plotseling zou starten.

Aanbrengen en verwijderen van de accu (Fig. 1)

⚠ LET OP:

- Schakel altijd het gereedschap uit voordat u de accu aanbrengt of verwijderd.
- Houd het gereedschap en de accu stevig vast wanneer u de accu aanbrengt of verwijderd. Als u het gereedschap en de accu niet stevig vasthoudt, zou er iets uit uw handen kunnen glijpen, met gevaar voor schade aan het gereedschap of de accu en eventuele verwonding.

Om de accu te verwijderen, schuift u deze uit het gereedschap los terwijl u de knop voorop de accu ingedrukt houdt.

Voor het aanbrengen van de accu plaatst u de tong van de accu in de groef van de behuizing en schuift u de accu op zijn plaats. Schuif de accu er altijd volledig in totdat die op zijn plaats vast klikt. Wanneer de rode indicator op de bovenkant van de knop nog zichtbaar is, zit de accu niet volledig erin.

⚠ LET OP:

- Schuif de accu volledig erin totdat de rode indicator niet meer zichtbaar is. Als u dit nalaat, zou de accu uit het apparaat kunnen vallen en uzelf of anderen kunnen verwonden.
- Druk de accu er niet met kracht in. Als de accu er niet soepel in gaat, houdt u die waarschijnlijk in de verkeerde stand.

Accubeveiligingssysteem (lithium-ionenaccu met een stermerking) (Fig. 2)

Lithium-ionenaccu's met een stermerking zijn voorzien van een beveiligingssysteem. Dat kan automatisch de stroomtoevoer afsluiten om de levensduur van de accu te verlengen.

Het gereedschap kan tijdens gebruik automatisch stoppen wanneer het gereedschap en/of de accu aan één van de volgende omstandigheden wordt blootgesteld:

- Overbelasting:
Als het gereedschap wordt gebruikt op een manier die een abnormaal hoge stroomsterkte vergt.
In dat geval schuift u de stroomschakelaar van het gereedschap naar de "O (OFF)" stand en verhelpt u de oorzaak van de overbelasting. Vervolgens schuift u de stroomschakelaar terug in de "I (ON)" stand om opnieuw te starten.
Als het gereedschap niet start, kan de accu oververhit zijn. In dat geval laat u de accu even afkoelen voordat u de stroomschakelaar weer in de "I (ON)" stand zet.
- Onvoldoende accuspanning:
Als de resterende accuspanning onvoldoende is, zal het gereedschap niet starten. In dat geval verwijderd u de accu en laadt u die opnieuw op.

Schakelaarwerking (Fig. 3)

⚠ LET OP:

- Alvorens de accu in het gereedschap te plaatsen, dient u er zeker van te zijn dat het gereedschap is uitgeschakeld.

Om het gereedschap te starten, schuift u de stroomschakelaar in de "I (ON)" stand.

Om het gereedschap te stoppen, schuift u de stroomschakelaar in de "O (OFF)" stand.

Instellen van het draaislagtempo (Fig. 4)

Het draaislagtempo is instelbaar. Om het draaislagtempo in te stellen, draait u de instelknop in een stand van 1 tot 6. Hoe hoger de cijferwaarde, des te hoger het draaislagtempo. Stel de instelknop in op een cijferwaarde die geschikt is voor uw werkstuk.

OPMERKING:

- De instelknop kan niet direct worden teruggedraaid van 1 naar 6 of doorgedraaid van 6 naar 1. Als u de instelknop forceert, wordt het gereedschap beschadigd. Wanneer u de stand van de instelknop verandert, draait u deze door alle tussenliggende nummers heen.

Aandoen van de voorste lamp (Fig. 5)

⚠ WAARSCHUWING:

- Kijk nooit direct in de lamp. Het directe lamplicht kan schadelijk zijn voor uw ogen.

Schuif de stroomschakelaar naar de "I (ON)" stand zodat de voorste lamp gaat branden. De lamp blijft branden zolang de schakelaar in de "I (ON)" stand staat. Het licht dooft automatisch wanneer u op de achterkant van de stroomschakelaar drukt en dan die schakelaar naar de "O (OFF)" stand schuift.

Beveiliging tegen overbelasting

Wanneer het gereedschap overbelast raakt en de temperatuur tot een bepaald peil stijgt, gaat de voorste lamp knipperen en dan stopt het gereedschap automatisch. Los de oorzaak van de overbelasting op, om dan opnieuw te starten.

Verklikkerlampje (Fig. 6)

- Wanneer de accu nog maar weinig stroom kan leveren, gaat het verklikkerlampje knipperen.
- Wanneer de accu vrijwel geheel leeg is, stopt het gereedschap tussentijds en blijft het verklikkerlampje ongeveer 10 seconden lang branden.

Dan verwijderd u de accu uit het gereedschap en laadt u die op.

INEENZETTEN

⚠ LET OP:

- Controleer altijd of het gereedschap is uitgeschakeld en de accu ervan is verwijderd alvorens enig werk aan het gereedschap uit te voeren.

Aanbrengen en verwijderen van werktuigen (optioneel accessoires) (Fig. 7, 8 en 9)

⚠ WAARSCHUWING:

- Pas op dat u het werktuig niet ondersteboven aanbrengt. Als u het werktuig ondersteboven plaatst, kan dat het werktuig beschadigen en soms zelfs ernstig letsel veroorzaken.
- Monteer het werktuig in de juiste richting, die het best voldoet voor uw werkstuk. Het werktuig kan worden gemonteerd in enkele standen, met 30 graden er tussen.

Plaats een werktuig (optionele accessoire) op de werktuigflens, zodat de nokken van de werktuigflens precies in de openingen van het werktuig vallen, en zet dan het werktuig vast door de bout stevig aan te draaien met de zeskant-inbussleutel.

Bij gebruik van het schuurwerktuig, brengt u het werktuig zo op het schuurblok aan dat het overeenkomt met de richting van het schuurblok.

Het schuurblok heeft een bevestigingsvlak met klittenband, zodat u het schuurpapier er snel en gemakkelijk op kunt bevestigen.

In het schuurpapier zijn openingen voor afzuigen van het stof, dus zorgt u bij het aanbrengen dat die gaten samenvallen met de openingen in het schuurblok.

Om het schuurpapier te verwijderen, trekt u het uiteinde omhoog en pelt u het los. Draai de werktuigmontagebout met een zeskant-inbussleutel los, verwijder de bout en dan het werktuig.

Voor gebruik van werktuigen met een afwijkend aansluitstuk maakt u gebruik van een geschikte aansluitadapter (optioneel accessoire).

Bewaren van de zeskant-inbussleutel (Fig. 10)

Wanneer u de zeskant-inbussleutel niet gebruikt, bergt u die op zoals getoond in de afbeelding, om de sleutel niet te verliezen.

BEDIENING

⚠ WAARSCHUWING:

- Kom vóór en tijdens het werken met het gereedschap niet met uw handen of uw gezicht in de buurt van het werktuig.
- Zorg dat het werktuig niet al te zwaar belast wordt, want daardoor kan de motor van het gereedschap blokkeren en afslaan.

Snijden, zagen en schuren (Fig. 11)

Plaats het werktuig op uw werkstuk.

Beweeg dan het gereedschap naar voren, zodanig dat dit de beweging van het werktuig niet vertraagt.

OPMERKING:

- Als u het forceert of te veel druk uitoefent op het gereedschap, wordt de werking minder doeltreffend.
- Vóór het snijden is het aanbevolen het draaislagtempo in te stellen op 4 – 6.

Polijsen (Fig. 12)

⚠ WAARSCHUWING:

- Schuurpapier dat al voor metaal is gebruikt mag u niet meer voor hout gebruiken.
- Gebruik geen versleten schuurpapier of schuurpapier zonder korrel.

Plaats het schuurpapier tegen uw werkstuk aan.

OPMERKING:

- Het is aanbevolen even proef te draaien met wat testmateriaal, om vooraf het juiste draaislagtempo voor uw werkstuk te bepalen.
- Blijf schuurpapier van dezelfde korrelgrootte gebruiken totdat uw hele werkstuk volledig is geschuurd. Als u het schuurpapier tussentijds vervangt door een fijnere of grovere gradatie, kunt u soms geen goede afwerking verkrijgen.

Stofzuigaansluitstuk (optioneel accessoire) (Fig. 13 en 14)

- Monteer de stofmondstukken en het stofzuigaansluitstuk.
- Monteer de mondstukkleem zodanig op het gereedschap dat de nokken in de sleuven van het gereedschap passen, om het vast te zetten.
- Plaats de vilten ring en het schuurblok op het stofzuigaansluitstuk en zet ze dan vast met de werktuigmontagebout.

Wanneer u stofvrij wilt werken, kunt u een stofzuiger op uw gereedschap aansluiten. Sluit de slang van de stofzuiger aan op het stofzuigaansluitstuk (optioneel accessoire).

ONDERHOUD

⚠ LET OP:

- Zorg altijd dat het gereedschap is uitgeschakeld en de accu is verwijderd voordat u inspecties of onderhoud gaat verrichten, uitgezonderd de volgende controlepunten met betrekking tot het lampje.
- Gebruik nooit benzine, wasbenzine, thinner, alcohol en dergelijke. Hierdoor kunnen verkleuring, vervormingen en barsten worden veroorzaakt.

Om de VEILIGHEID en BETROUWBAARHEID van het gereedschap te verzekeren, dienen alle reparaties, inspectie en vervanging van koolborstels, en alle andere onderhoudswerkzaamheden of afstellingen te worden uitgevoerd door een erkend Makita servicecentrum, en dit uitsluitend met gebruik van originele Makita vervangingsonderdelen.

OPTIONELE ACCESSOIRES

LET OP:

- Deze accessoires of hulpstukken worden aanbevolen voor gebruik met het Makita gereedschap dat in deze gebruiksaanwijzing is beschreven. Bij gebruik van andere accessoires of hulpstukken bestaat er gevaar voor persoonlijke verwonding. Gebruik de accessoires of hulpstukken uitsluitend voor hun bestemde doel.

Raadpleeg het dichtstbijzijnde Makita Servicecentrum voor verder advies of bijzonderheden omtrent deze accessoires.

- Segmentzaagblad
- Rond zaagblad
- Zaagblad voor diepe insnede
- Schraper (onbuigzaam)
- Schraper (buigzaam)
- Gekarteld segmentzaagblad
- Universeel voegenmes
- HM verwijderaar
- HM segmentzaagblad
- HM schuurplaat
- Diamant-segmentzaagblad
- Schuurblok
- Adapter
- Schuurpapier-delta (rood/wit/zwart)
- Kunstvacht-delta (midden/grof/zonder korrel)
- Polijstviltdelta
- Zeskant-inbussleutel
- Stofzuigaansluitstuk
- Originele Makita accu en acculader

OPMERKING:

- Sommige onderdelen in deze lijst kunnen bij het gereedschap zijn meeverpakt als standaard-accessoires. Deze kunnen van land tot land verschillen.

Geluidsniveau

ENG905-1

De typisch, A-gewogen geluidsniveaus vastgesteld volgens EN60745:

Toepassing: schuren

Geluidsdrukniveau (L_{pA}): 78 dB (A)
Onnauwkeurigheid (K): 3 dB (A)

Tijdens het werken kan het geluidsniveau 80 dB (A) overschrijden.

Toepassing: snijden met het zaagblad voor diepe insnede

Model BTM40

Geluidsdrukniveau (L_{pA}): 82 dB (A)
Geluidsvermogeniveau (L_{WA}): 93 dB (A)
Onnauwkeurigheid (K): 3 dB (A)

Model BTM50

Geluidsdrukniveau (L_{pA}): 84 dB (A)
Geluidsvermogeniveau (L_{WA}): 95 dB (A)
Onnauwkeurigheid (K): 3 dB (A)

Toepassing: snijden met het segmentzaagblad

Geluidsdrukniveau (L_{pA}): 81 dB (A)
Geluidsvermogeniveau (L_{WA}): 92 dB (A)
Onnauwkeurigheid (K): 3 dB (A)

Toepassing: afschrappen

Model BTM40

Geluidsdrukniveau (L_{pA}): 81 dB (A)
Geluidsvermogeniveau (L_{WA}): 92 dB (A)
Onnauwkeurigheid (K): 3 dB (A)

Model BTM50

Geluidsdrukniveau (L_{pA}): 83 dB (A)
Geluidsvermogeniveau (L_{WA}): 94 dB (A)
Onnauwkeurigheid (K): 3 dB (A)

Drag oorbeschermers

ENG900-1

Trilling

De totaalwaarde van de trillingen (triaxiale vector) vastgesteld volgens EN60745:

Toepassing: schuren

Trillingsemmissie (a_{h1}): 2,5 m/s² of lager
Onnauwkeurigheid (K): 1,5 m/s²

Toepassing: snijden met het zaagblad voor diepe insnede

Model BTM40

Trillingsemmissie (a_{h1}): 9,5 m/s²
Onnauwkeurigheid (K): 1,5 m/s²

Model BTM50

Trillingsemmissie (a_{h1}): 10,0 m/s²
Onnauwkeurigheid (K): 1,5 m/s²

Toepassing: snijden met het segmentzaagblad

Model BTM40

Trillingsemmissie (a_{h1}): 5,0 m/s²
Onnauwkeurigheid (K): 1,5 m/s²

Model BTM50

Trillingsemmissie (a_{h1}): 5,5 m/s²
Onnauwkeurigheid (K): 1,5 m/s²

Toepassing: afschrappen

Model BTM40

Trillingsemmissie (a_{h1}): 7,5 m/s²
Onnauwkeurigheid (K): 1,5 m/s²

Model BTM50

Trillingsemmissie (a_{h1}): 9,5 m/s²
Onnauwkeurigheid (K): 1,5 m/s²

ENG901-1

- De opgegeven trillingsemmissiewaarde is gemeten volgens de standaardtestmethode en kan worden gebruikt om dit gereedschap te vergelijken met andere gereedschappen.
- De opgegeven trillingsemmissiewaarde kan ook worden gebruikt voor een beoordeling vooraf van de blootstelling.

WAARSCHUWING:

- De trillingsemmissie tijdens het gebruik van het elektrisch gereedschap in de praktijk kan verschillen van de opgegeven trillingsemmissiewaarde afhankelijk van de manier waarop het gereedschap wordt gebruikt.
- Zorg ervoor dat veiligheidsmaatregelen worden getroffen ter bescherming van de operator die zijn gebaseerd op een schatting van de blootstelling onder praktijkomstandigheden (rekening houdend met alle fasen van de bedrijfscyclus, zoals de tijdsduur gedurende welke het gereedschap is uitgeschakeld en stationair draait, naast de ingeschakelde tijdsduur).

Alleen voor Europese landen

EU-Verklaring van Conformiteit

Wij, Makita Corporation, als de verantwoordelijke fabrikant, verklaren dat de volgende Makita-machine(s):

Aanduiding van de machine:

Snoerloze zaag- en schuurmachine

Modelnr./Type: BTM40, BTM50

in serie zijn geproduceerd en

Voldoen aan de volgende Europese richtlijnen:

2006/42/CE

En zijn gefabriceerd in overeenstemming met de volgende normen of genormaliseerde documenten:

EN60745

De technische documentatie wordt bewaard door onze erkende vertegenwoordiger in Europa, te weten:

Makita International Europe Ltd.

Michigan Drive, Tongwell,

Milton Keynes, Bucks MK15 8JD, Engeland

20.10.2011



Tomoyasu Kato

Directeur

Makita Corporation

3-11-8, Sumiyoshi-cho,

Anjo, Aichi, 446-8502, JAPAN

Explicación de los dibujos

- | | | |
|---|---|---|
| 1 Botón | 10 Agujeros en la herramienta de trabajo | 17 Accesorio para recogida de polvo |
| 2 Indicador rojo | 11 Protuberancias de la brida de la herramienta | 18 Anillo de fieltro |
| 3 Cartucho de batería | 12 Llave hexagonal | 19 Plato |
| 4 Marca de estrella | 13 Apretar | 20 Agujeros en la herramienta |
| 5 Interruptor deslizable | 14 Adaptador (requerido para algunas herramientas de trabajo) | 21 Protuberancias en la banda para boquilla |
| 6 Dial | 15 Banda para boquilla | |
| 7 Lámpara delantera | 16 Boquilla de recogida de polvo | |
| 8 Lámpara de indicación | | |
| 9 Perno de instalación de la herramienta de trabajo | | |

ESPECIFICACIONES

Modelo		BTM40	BTM50
Oscilaciones por minuto		6.000 – 20.000 (min ⁻¹)	
Ángulo de oscilación, izquierda/derecha		1,6° (3,2° total)	
Longitud total		324 mm	
Peso neto	sin accesorio para recogida de polvo	1,9 kg	2,0 kg
	con accesorio para recogida de polvo	2,0 kg	2,1 kg
Tensión nominal		CC 14,4 V	CC 18 V

- Debido a un programa continuo de investigación y desarrollo, las especificaciones aquí dadas están sujetas a cambios sin previo aviso.
- Las especificaciones y el cartucho de batería pueden diferir de país a país.
- Peso, con el cartucho de batería, de acuerdo con el procedimiento EPTA 01/2003

ENE080-1

Uso previsto

La herramienta ha sido prevista para serrar y cortar madera, plástico, yeso, metales no ferrosos, y elementos de sujeción (por ejemplo, clavos y grapas no endurecidos). También ha sido prevista para trabajos en azulejos blandos, así como para lijar en seco y raspar superficies pequeñas. Es especialmente indicada para trabajar cerca de bordes y cortar a ras.

GEA010-1

Advertencias de seguridad generales para herramientas eléctricas

⚠ ¡ADVERTENCIA! Lea todas las advertencias de seguridad y todas las instrucciones. Si no sigue todas las advertencias e instrucciones podrá ocasionar una descarga eléctrica, un incendio y/o heridas graves.

Guarde todas las advertencias e instrucciones para futuras referencias.

GEB094-2

ADVERTENCIAS DE SEGURIDAD PARA LA MULTITOOL INALÁMBRICA

1. **Esta herramienta eléctrica ha sido prevista para serrar, cortar, amolar y lijar. Lea todas las advertencias de seguridad, instrucciones, ilustraciones y especificaciones previstas con esta herramienta eléctrica.** Si no sigue todas las instrucciones indicadas a continuación, podrá ocasionar una descarga eléctrica, un incendio y/o heridas graves.
2. **Cuando realice una operación en la que el accesorio de corte pueda entrar en contacto con cableado oculto, sujete la herramienta eléctrica por las superficies de asiento aisladas.** El contacto del accesorio de corte con un cable con corriente hará que la corriente circule por las partes metálicas expuestas de la herramienta eléctrica y podrá soltar una descarga eléctrica al operario.
3. **Utilice mordazas u otros medios de sujeción prácticos para sujetar y apoyar la pieza de trabajo en una plataforma estable.** Sujetada con la mano o contra su cuerpo, la pieza de trabajo estará inestable y podrá ocasionar la pérdida del control.
4. **Utilice siempre gafas de seguridad o gafas de protección. Las gafas normales o de sol NO sirven para proteger los ojos.**
5. **Evite cortar clavos. Inspeccione la pieza de trabajo para ver si tiene algún clavo y quítelos antes de iniciar la operación.**
6. **Sujete la herramienta firmemente.**
7. **Asegúrese de que la herramienta de trabajo no esté haciendo contacto con la pieza de trabajo antes de activar el interruptor.**
8. **Mantenga las manos alejadas de las partes en movimiento.**

9. No deje la herramienta en marcha. Tenga en marcha la herramienta solamente cuando la tenga en la mano.
10. Apague siempre la herramienta y espere hasta que la hoja se haya parado completamente antes de retirar la hoja de la pieza de trabajo.
11. No toque la herramienta de trabajo ni la pieza de trabajo inmediatamente después de la operación; estarán muy calientes y podrán quemar la piel.
12. No utilice la herramienta en vacío innecesariamente.
13. Utilice siempre la mascarilla contra el polvo/respirador correcto para el material con que esté trabajando y la aplicación que realice.
14. Algunos materiales contienen sustancias químicas que podrán ser tóxicas. Tenga precaución para evitar la inhalación de polvo y el contacto con la piel. Siga los datos de seguridad del abastecedor del material.
15. Esta herramienta no es a prueba de agua, por lo que no deberá utilizar agua en la superficie de la pieza de trabajo.
16. Ventile debidamente su área de trabajo cuando realice operaciones de lijado.
17. La utilización de esta herramienta para lijar algunos productos, pinturas y madera podrá exponer al usuario a polvo que contenga sustancias peligrosas. Utilice protección respiratoria apropiada.
18. Asegúrese de que no haya grietas o roturas en el plato antes de utilizarlo. Las grietas y roturas pueden ocasionar heridas personales.
19. No utilice accesorios que no estén específicamente diseñados y recomendados por el fabricante de la herramienta. Solamente porque el accesorio pueda ser instalado en su herramienta eléctrica, no quiere decir que su operación sea segura.
20. Póngase equipo de protección personal. En función de la aplicación, utilice pantalla facial, gafas de protección o gafas de seguridad. Según corresponda, póngase protectores auditivos, guantes y delantal de taller que pueda detener los pequeños fragmentos abrasivos o de pieza de trabajo. La protección de los ojos deberá ser capaz de detener los restos que salen volando generados en las diferentes operaciones. La mascarilla contra el polvo o respirador deberá ser capaz de filtrar las partículas generadas en su operación. La exposición prolongada a ruido de alta intensidad podrá ocasionar pérdida auditiva.
21. Mantenga a los curiosos a una distancia segura alejados del área de trabajo. Cualquier persona que entre en el área de trabajo deberá usar equipo de protección personal. Los fragmentos de la pieza de trabajo o de un accesorio roto pueden salir volando y ocasionar heridas más allá del área de operación inmediata.
22. No deje nunca la herramienta eléctrica hasta que el accesorio se haya detenido completamente. El accesorio giratorio puede agarrarse en la superficie y tirar de la herramienta eléctrica dejándola fuera de control.
23. No tenga la herramienta eléctrica encendida mientras la lleva en su costado. Un contacto accidental con el accesorio podría enganchar sus ropas, y arrastrar el accesorio hacia su cuerpo.
24. No utilice la herramienta eléctrica cerca de materiales inflamables. Las chispas pueden prender estos materiales.
25. No utilice accesorios que requieran refrigerantes líquidos. La utilización de agua u otros refrigerantes líquidos puede resultar en electrocución o descarga eléctrica.
26. Asegúrese siempre de que la herramienta esté apagada y desenchufada o que el cartucho de batería haya sido extraído antes de realizar cualquier trabajo en la herramienta.
27. Asegúrese siempre de que tiene suelo firme. Asegúrese de que no haya nadie debajo cuando utilice la herramienta en lugares altos.

GUARDE ESTAS INSTRUCCIONES.



ADVERTENCIA:

NO deje que la comodidad o familiaridad con el producto (a base de utilizarlo repetidamente) sustituya la estricta observancia de las normas de seguridad para el producto en cuestión. El MAL USO o el no seguir las normas de seguridad establecidas en este manual de instrucciones podrá ocasionar graves heridas personales.

ENC007-7

INSTRUCCIONES DE SEGURIDAD IMPORTANTES

PARA EL CARTUCHO DE BATERÍA

1. Antes de utilizar el cartucho de batería, lea todas las instrucciones e indicaciones de precaución sobre (1) el cargador de baterías, (2) la batería, y (3) el producto con el que se utiliza la batería.
2. No desarme el cartucho de batería.
3. Si el tiempo de uso del cartucho de batería se acorta demasiado, deje de usarlo inmediatamente. Podría resultar en un riesgo de recalentamiento, posibles quemaduras e incluso una explosión.
4. Si entra electrólito en sus ojos, aclárelos con agua limpia y vea a un médico inmediatamente. Existe el riesgo de poder perder la vista.
5. No cortocircuite el cartucho de batería:
 - (1) No toque los terminales con ningún material conductor.
 - (2) Evite guardar el cartucho de batería en un cajón junto con otros objetos metálicos, tales como clavos, monedas, etc.
 - (3) No exponga el cartucho de batería al agua ni a la lluvia.

Un cortocircuito en la batería puede producir una gran circulación de corriente, un recalentamiento, posibles quemaduras e incluso una rotura de la misma.
6. No guarde la herramienta ni el cartucho de batería en lugares donde la temperatura pueda alcanzar o exceder los 50°C.

7. **Nunca incinere el cartucho de batería incluso en el caso de que esté dañado seriamente o ya no sirva en absoluto.**
El cartucho de batería puede explotar si se tira al fuego.
8. **Tenga cuidado de no dejar caer ni golpear el cartucho de batería.**
9. **No utilice una batería dañada.**

GUARDE ESTAS INSTRUCCIONES.

Consejos para alargar al máximo la vida de servicio de la batería

1. **Cargue el cartucho de batería antes de que se descargue completamente.**
Pare siempre la operación y cargue el cartucho de batería cuando note menos potencia en la herramienta.
2. **No cargue nunca un cartucho de batería que esté completamente cargado.**
La sobrecarga acortará la vida de servicio de la batería.
3. **Cargue el cartucho de batería a temperatura ambiente de 10°C – 40°C.** Si un cartucho de batería está caliente, déjelo enfriar antes de cargarlo.
4. **Cargue el cartucho de batería una vez cada seis meses si no lo utiliza durante un periodo de tiempo prolongado.**

DESCRIPCIÓN DEL FUNCIONAMIENTO

⚠️ ADVERTENCIA:

- **Asegúrese siempre de que la herramienta esté apagada y el cartucho de batería extraído antes de realizar cualquier ajuste o comprobación en la herramienta.** Si no apaga la herramienta y desmonta el cartucho de batería podrá sufrir graves heridas personales a causa de una puesta en marcha accidental.

Instalación o extracción del cartucho de batería (Fig. 1)

⚠️ PRECAUCIÓN:

- Apague siempre la herramienta antes de la instalación o extracción del cartucho de batería.
- **Sujete la herramienta y el cartucho de batería firmemente cuando instale o extraiga el cartucho de batería.** Si no sujeta la herramienta y el cartucho de batería firmemente podrán caérsele de las manos y resultar en daños a la herramienta y cartucho de batería y heridas personales.

Para extraer el cartucho de batería, deslícelo de la herramienta a la vez que desliza el botón de la parte frontal del cartucho.

Para instalar el cartucho de batería, alinee la lengüeta del cartucho de batería con la ranura de la carcasa y deslícelo hasta que encaje en su sitio. Insértelo a tope hasta que se bloquee en su sitio produciendo un pequeño chasquido. Si puede ver el indicador rojo en el lado superior del botón, no estará bloqueado completamente.

⚠️ PRECAUCIÓN:

- Instale siempre el cartucho de batería completamente hasta que no pueda verse el indicador rojo. En caso contrario, podrá caerse accidentalmente de la herramienta y ocasionarle heridas a usted o a alguien que esté cerca de usted.
- No instale el cartucho de batería empleando fuerza. Si el cartucho no se desliza al interior fácilmente, será porque no está siendo insertado correctamente.

Sistema de protección de la batería (Batería de litio-ión con marca de estrella) (Fig. 2)

Las baterías de litio-ión con marca de estrella están equipadas con un sistema de protección. Este sistema corta automáticamente la alimentación de la herramienta para alargar la vida útil de la batería.

La herramienta se detendrá automáticamente durante la operación si la herramienta y/o la batería son puestas en una de las condiciones siguientes:

- Sobrecargada:

La herramienta es utilizada de una manera que da lugar a que tenga que absorber una corriente anormalmente alta.

En esta situación, deslice el interruptor deslizable de la herramienta hacia la posición "O (OFF)" y detenga la tarea que ocasiona la sobrecarga de la herramienta. Después deslice el interruptor deslizable hacia la posición "I (ON)" para volver a ponerla en marcha.

Si la herramienta no se pone en marcha, la batería estará recalentada. En esta situación, deje que la batería se enfríe antes de deslizar el interruptor deslizable hacia la posición "I (ON)" otra vez.

- Tensión baja en la batería:

La capacidad de batería restante es muy baja y la herramienta no funcionará. En esta situación, extraiga la batería y vuelva a cargarla.

Accionamiento del interruptor (Fig. 3)

⚠️ PRECAUCIÓN:

- Antes de instalar el cartucho de batería en la herramienta, compruebe siempre para asegurarse de que la herramienta está apagada.

Para poner en marcha la herramienta, deslice el interruptor deslizable hacia la posición "I (ON)".

Para detener la herramienta, deslice el interruptor deslizable hacia la posición "O (OFF)".

Ajuste del rango de la carrera orbital (Fig. 4)

El rango de la carrera orbital se puede ajustar. Para cambiar el rango de la carrera orbital, gire el dial entre 1 y 6. Cuanto más alto sea el número, mayor será el rango de la carrera orbital. Preajuste el dial en el número apropiado para su pieza de trabajo.

NOTA:

- El dial no se puede girar directamente del 1 al 6 ni del 6 al 1. Si fuerza el dial podrá dañar la herramienta. Cuando cambie la dirección del dial, gire siempre el dial moviéndolo a través de cada número intermedio.

Encendido de la lámpara delantera (Fig. 5)

ADVERTENCIA:

- No mire nunca directamente a la luz. La luz directa producirá daño a sus ojos.

Deslice el interruptor deslizable hacia la posición "I (ON)" para encender la lámpara delantera. La lámpara delantera se mantendrá encendida mientras el interruptor esté en la posición "I (ON)". La luz se apagará automáticamente después de presionar la parte trasera del interruptor deslizable, y después deslizar el interruptor deslizable hacia la posición "O (OFF)".

Protección de sobrecarga

Cuando la herramienta esté sobrecargada y la temperatura de la herramienta alcance un cierto nivel, la lámpara delantera parpadeará y la herramienta se detendrá automáticamente. Elimine la causa de la sobrecarga y vuelva a ponerla en marcha.

Lámpara de indicación (Fig. 6)

- Cuando la capacidad de batería restante sea baja, la lámpara de indicación parpadeará.
- Cuando la capacidad de batería restante sea muy baja, la herramienta se detendrá durante la operación y la lámpara de indicación se encenderá durante unos 10 segundos.

En este momento, extraiga el cartucho de batería de la herramienta y cárguelo.

MONTAJE

PRECAUCIÓN:

- Asegúrese siempre de que la herramienta esté apagada y el cartucho de batería extraído antes de realizar cualquier trabajo en la herramienta.

Instalación o desmontaje de la herramienta de trabajo (accesorio opcional) (Fig. 7, 8 y 9)

ADVERTENCIA:

- No instale la herramienta de trabajo al revés. Si instala la herramienta de trabajo al revés podrá dañar la herramienta y ocasionar heridas personales graves.
- Instale la herramienta de trabajo en la dirección correcta de acuerdo con su tarea. La herramienta de trabajo se puede instalar en un ángulo de cada 30 grados.

Ponga la herramienta de trabajo (accesorio opcional) en la brida de la herramienta de forma que las protuberancias de la brida de la herramienta encajen en los agujeros en la herramienta de trabajo y sujete la herramienta de trabajo apretando los pernos firmemente con la llave hexagonal.

Cuando utilice la herramienta de trabajo de lijado, monte la herramienta de trabajo en el plato para lijado de forma que coincida con la dirección del plato para lijado.

El plato para lijado tiene un sistema de fijación de tipo gancho y lazo que permite una colocación fácil y rápida del plato para lijado.

Como los papeles de lijado tienen agujeros para la extracción del polvo, monte el papel de lijado de forma que los agujeros en el papel de lijado coincidan con los del plato para lijado.

Para quitar el papel de lijado, levante el borde del mismo y despréndalo. Afloje y retire el perno de instalación de la herramienta de trabajo utilizando una llave hexagonal y después quite la herramienta de trabajo.

Cuando utilice herramientas de trabajo con una sección de instalación de tipo diferente, utilice un adaptador correcto (accesorio opcional).

Almacenamiento de la llave hexagonal (Fig. 10)

Cuando no la esté utilizando, coloque la llave hexagonal como se muestra en la figura para evitar perderla.

OPERACIÓN

ADVERTENCIA:

- Antes de poner en marcha la herramienta y durante la operación, mantenga sus manos y cara alejadas de la herramienta de trabajo.
- No aplique una carga excesiva a la herramienta ya que podrá ocasionar el bloqueo del motor y que se detenga la herramienta.

Cortar, serrar y raspar (Fig. 11)

Ponga la herramienta de trabajo sobre la pieza de trabajo.

Y después mueva la herramienta hacia adelante de forma que el movimiento de la herramienta de trabajo no se reduzca.

NOTA:

- Si ejerce fuerza o presión excesiva en la herramienta podrá reducir la eficacia.
- Antes de realizar la operación de corte, se recomienda preajustar el rango de la carrera orbital entre 4 y 6.

Lijado (Fig. 12)

ADVERTENCIA:

- No vuelva a utilizar un papel de lijado usado para lijado de metal o madera.
- No utilice un papel de lijado gastado o papel de lijado sin granúlos.

Aplique un papel de lijado sobre la pieza de trabajo.

NOTA:

- Se recomienda utilizar una muestra de material para probar a fin de determinar un rango de carrera orbital correcto apropiado para su tarea.
- Utilice un papel de lijado con el mismo granúlo hasta completar el lijado de toda la pieza de trabajo. Si reemplaza un papel de lijado con papel de lijado de granúlo diferente podrá no obtener un acabado fino.

Accesorio de extracción de polvo (accesorio opcional) (Fig. 13 y 14)

- Instale las boquillas de recogida de polvo y el accesorio para recogida de polvo.
- Instale la banda para boquilla en la herramienta de forma que sus protuberancias encajen en los agujeros de la herramienta para sujetarla.
- Ponga el anillo de fieltro y el plato para lijado en el accesorio para recogida de polvo y después sujételos con el perno de instalación de la herramienta de trabajo.

Cuando desee realizar operaciones más limpias, conecte un aspirador a su herramienta. Conecte una manguera del aspirador al accesorio de extracción de polvo (accesorio opcional).

MANTENIMIENTO

⚠ PRECAUCIÓN:

- Asegúrese siempre de que la herramienta esté apagada y el cartucho de batería extraído antes de intentar realizar una inspección o mantenimiento, excepto para la solución de problemas siguiente relacionada con la luz.
- No utilice nunca gasolina, bencina, disolvente, alcohol o similares. Podría producir descoloración, deformación o grietas.

Para mantener la SEGURIDAD y FIABILIDAD del producto, las reparaciones, la inspección y sustitución de las escobillas de carbón, y cualquier otro mantenimiento o ajuste deberán ser realizados en Centros de Servicios Autorizados por Makita, empleando siempre piezas de repuesto de Makita.

ACCESORIOS OPCIONALES

⚠ PRECAUCIÓN:

- Estos accesorios o aditamentos están recomendados para su uso con la herramienta Makita especificada en este manual. El uso de cualquier otro accesorio o aditamento puede suponer un riesgo de lesiones personales. Utilice el accesorio o aditamento exclusivamente para su uso declarado.

Si necesita información más detallada sobre estos accesorios, consulte con su centro local de servicio de Makita.

- Hoja de sierra segmentada
- Hoja de sierra redonda
- Hoja sierra de corte por inmersión
- Raspador (rígido)
- Raspador (flexible)
- Hoja segmentada serrada
- Cortadora de juntas general
- Removedor HM
- Hoja de sierra segmentada HM
- Placa de lijar HM
- Hoja de sierra segmentada de diamante
- Plato para lijar
- Adaptador
- Papel abrasivo delta (rojo / blanco / negro)
- Delta de lana (medio / basta / sin gránulo)
- Delta de fieltro para pulir
- Llave hexagonal
- Accesorio de extracción de polvo
- Batería y cargador genuinos de Makita

NOTA:

- Algunos elementos de la lista podrán estar incluidos en el paquete de la herramienta como accesorios estándar. Pueden variar de un país a otro.

Ruido

El nivel de ruido A-ponderado típico determinado de acuerdo con la norma EN60745:

Modo tarea: lijado

Nivel de presión sonora (L_{pA}): 78 dB (A)

Error (K): 3 dB (A)

El nivel de ruido en condiciones de trabajo puede que sobrepase los 80 dB (A).

Modo tarea: corte con hoja de sierra de corte por inmersión

Modelo BTM40

Nivel de presión sonora (L_{pA}): 82 dB (A)

Nivel de potencia sonora (L_{WA}): 93 dB (A)

Error (K): 3 dB (A)

Modelo BTM50

Nivel de presión sonora (L_{pA}): 84 dB (A)

Nivel de potencia sonora (L_{WA}): 95 dB (A)

Error (K): 3 dB (A)

Modo tarea: corte con hoja de sierra segmentada

Nivel de presión sonora (L_{pA}): 81 dB (A)

Nivel de potencia sonora (L_{WA}): 92 dB (A)

Error (K): 3 dB (A)

Modo tarea: raspar

Modelo BTM40

Nivel de presión sonora (L_{pA}): 81 dB (A)

Nivel de potencia sonora (L_{WA}): 92 dB (A)

Error (K): 3 dB (A)

Modelo BTM50

Nivel de presión sonora (L_{pA}): 83 dB (A)

Nivel de potencia sonora (L_{WA}): 94 dB (A)

Error (K): 3 dB (A)

Póngase protectores en los oídos

ENG900-1

Vibración

El valor total de la vibración (suma de vectores triaxiales) determinado de acuerdo con la norma EN60745:

Modo tarea: lijado

Emisión de vibración (a_h): 2,5 m/s² o menos

Error (K): 1,5 m/s²

Modo tarea: corte con hoja de sierra de corte por inmersión

Modelo BTM40

Emisión de vibración (a_h): 9,5 m/s²

Error (K): 1,5 m/s²

Modelo BTM50

Emisión de vibración (a_h): 10,0 m/s²

Error (K): 1,5 m/s²

Modo tarea: corte con hoja de sierra segmentada

Modelo BTM40

Emisión de vibración (a_h): 5,0 m/s²

Error (K): 1,5 m/s²

Modelo BTM50

Emisión de vibración (a_h): 5,5 m/s²

Error (K): 1,5 m/s²

Modo tarea: raspar

Modelo BTM40

Emisión de vibración (a_h): 7,5 m/s²

Error (K): 1,5 m/s²

Modelo BTM50

Emisión de vibración (a_h): 9,5 m/s²

Error (K): 1,5 m/s²

ENG905-1

- El valor de emisión de vibración declarado ha sido medido de acuerdo con el método de prueba estándar y se puede utilizar para comparar una herramienta con otra.
- El valor de emisión de vibración declarado también se puede utilizar en una valoración preliminar de exposición.

⚠ ADVERTENCIA:

- La emisión de vibración durante la utilización real de la herramienta eléctrica puede variar del valor de emisión declarado dependiendo de las formas en las que la herramienta sea utilizada.
- Asegúrese de identificar medidas de seguridad para proteger al operario que estén basadas en una estimación de la exposición en las condiciones reales de utilización (teniendo en cuenta todas las partes del ciclo operativo tal como las veces cuando la herramienta está apagada y cuando está funcionando en vacío además del tiempo de gatillo).

ENH101-15

Para países europeos solamente

Declaración de conformidad CE

Makita Corporation como fabricante responsable declara que la(s) siguiente(s) máquina(s) de Makita:

Designación de máquina:

Multitool Inalámbrica

Modelo N°/Tipo: BTM40, BTM50

son producidas en serie y

Cumplen con las directivas europeas siguientes:

2006/42/CE

Y que están fabricadas de acuerdo con las normas o documentos normalizados siguientes:

EN60745

Los documentos técnicos los guarda nuestro representante autorizado en Europa cuya persona es:

Makita International Europe Ltd.

Michigan Drive, Tongwell,

Milton Keynes, Bucks MK15 8JD, Inglaterra

20.10.2011



Tomoyasu Kato

Director

Makita Corporation

3-11-8, Sumiyoshi-cho,

Anjo, Aichi, 446-8502, JAPAN

Explicação geral

1 Botão	10 Orifícios na ferramenta de aplicação	16 Bocal para poeira
2 Indicador vermelho	11 Saliências da flange da ferramenta	17 Acoplamento para poeira
3 Cartucho da bateria	12 Chave hexagonal	18 Arruela de feltro
4 Marcação de estrela	13 Apertar	19 Patim
5 Interruptor deslizante	14 Adaptador (necessário para algumas ferramentas de aplicação)	20 Orifícios na ferramenta
6 Mostrador	15 Cinta do bocal	21 Saliências na cinta do bocal
7 Lâmpada frontal		
8 Lâmpada de indicação		
9 Parafuso de instalação da ferramenta de aplicação		

ESPECIFICAÇÕES

Modelo		BTM40	BTM50
Oscilação por minuto		6.000 – 20.000 (min ⁻¹)	
Ângulo de oscilação, esquerdo/direito		1,6° (3,2° total)	
Comprimento total		324 mm	
Peso líquido	sem acoplamento de extracção de poeira	1,9 kg	2,0 kg
	com acoplamento de extracção de poeira	2,0 kg	2,1 kg
Tensão nominal		14,4 V CC	18 V CC

GEB094-2

- Devido ao nosso programa contínuo de pesquisa e desenvolvimento, as características indicadas neste documento estão sujeitas a alterações sem aviso prévio.
- As especificações e a bateria podem variar de país para país.
- Peso, com a bateria, de acordo com o Procedimento 01/2003 da EPTA (European Power Tool Association)

ENE080-1

Utilização a que se destina

A ferramenta serve para serrar e cortar madeira, plástico, gesso, metais não ferrosos e apertar componentes (por exemplo, pregos e agrafos não endurecidos). Serve também para trabalhar em azulejos de parede macios, assim como lixagem a seco e raspagem de pequenas superfícies. Especialmente para trabalhar próximo de extremidades e corte rente.

GEA010-1

Avisos gerais de segurança para ferramentas eléctricas

⚠ AVISO! Leia todos os avisos de segurança e todas as instruções. O não cumprimento de todos os avisos e instruções pode originar choque eléctrico, incêndio e/ou ferimentos graves.

Guarde todos os avisos e instruções para futuras referências.

AVISOS DE SEGURANÇA PARA A MULTICORTADORA OSCILANTE A BATERIA

1. **Esta ferramenta eléctrica serve para serrar, cortar, esmerilar e lixar. Leia todos os avisos de segurança, instruções, ilustrações e especificações fornecidos com esta ferramenta eléctrica.** O desrespeito de todas as instruções abaixo pode resultar em choque eléctrico, incêndio e/ou ferimento grave.
2. **Segure na ferramenta eléctrica pelas superfícies de aderência isoladas, quando executar uma operação em que o acessório de corte possa entrar em contacto com fios ocultos.** O acessório de corte que entra em contacto com um fio "vivo" pode tornar as partes metálicas expostas da ferramenta eléctrica "vivas" e causar choque eléctrico ao operador.
3. **Use grampos ou outra forma prática de fixar e apoiar a peça de trabalho a uma plataforma estável.** Segurar no trabalho com a mão ou contra o corpo deixa-o instável e pode conduzir à perda de controlo.
4. **Use sempre óculos de segurança ou óculos de protecção.** Óculos normais ou de sol **NÃO** são óculos de segurança.
5. **Evite cortar pregos.** Inspeccione a peça de trabalho para ver se existem pregos e retire-os antes da operação.
6. **Segure a ferramenta firmemente.**
7. **Certifique-se de que a ferramenta de aplicação não está em contacto com a peça de trabalho antes do interruptor ser ligado.**
8. **Mantenha as mãos afastadas das partes em movimento.**

9. Não deixe a ferramenta a funcionar. Opere a ferramenta apenas quando a estiver a agarrar.
10. Desligue sempre e espere que lâmina pare completamente antes de retirar a lâmina da peça de trabalho.
11. Não toque na ferramenta de aplicação ou na peça de trabalho imediatamente após a operação; podem estar extremamente quentes e queimar a sua pele.
12. Não opere a ferramenta desnecessariamente sem carga.
13. Use sempre a máscara/respirador anti-poeira correcto para o material e aplicação em que esteja a trabalhar.
14. Alguns materiais contêm químicos que podem ser tóxicos. Tome cuidado para evitar a inalação de poeira e o contacto com a pele. Siga os dados de segurança do fornecedor do material.
15. Esta ferramenta não foi impermeabilizada, por isso não use água na superfície da peça de trabalho.
16. Ventile adequadamente a sua área de trabalho quando executar operações de lixagem.
17. O uso desta ferramenta para lixar alguns produtos, pinturas e madeira pode expor o utilizador a poeira contendo substâncias perigosas. Use protecção respiratória adequada.
18. Certifique-se de que não existem fendas ou fissuras no patim antes de utilizar. As fendas ou fissuras podem provocar ferimentos corporais.
19. Não use acessórios que não sejam especificamente concebidos e recomendados pelo fabricante da ferramenta. Somente porque o acessório pode ser acoplado à sua ferramenta eléctrica, isso não assegura a operação segura.
20. Use equipamento de protecção individual. Dependendo da aplicação, use viseira, óculos de protecção ou óculos de segurança. Conforme necessário, use protectores para os ouvidos, luvas e avental de oficina capaz de impedir pequenos fragmentos abrasivos ou fragmentos da peça de trabalho. A protecção para os olhos deve ser capaz de impedir a projecção de detritos gerados por várias operações. A máscara ou respirador anti-poeira deve ser capaz de filtrar as partículas geradas pela sua operação. A exposição prolongada a ruído de alta intensidade pode causar perda auditiva.
21. Mantenha as pessoas presentes afastadas da área de trabalho a uma distância segura. Qualquer pessoa que entre na área de trabalho deve usar equipamento de protecção individual. Os fragmentos da peça de trabalho ou de um acessório partido podem projectar-se e provocar ferimento para além da área imediata de operação.
22. Nunca pouse a ferramenta eléctrica até o acessório parar por completo. O acessório giratório pode agarrar a superfície e tirar a ferramenta eléctrica do seu controlo.
23. Não deixe a ferramenta eléctrica a funcionar enquanto a transporta ao seu lado. O contacto acidental com o acessório pode prender-se ao seu vestuário, puxando o acessório para o seu corpo.
24. Não opere a ferramenta eléctrica próximo de materiais inflamáveis. As faíscas podem incendiar esses materiais.
25. Não use acessórios que precisem de refrigerantes líquidos. O uso de água ou outros refrigerantes líquidos pode resultar em electrocussão ou choque.
26. Certifique-se sempre de que a ferramenta está desligada e retirada da ficha ou que o cartucho da bateria é retirado antes de executar qualquer trabalho na ferramenta.
27. Certifique-se sempre que possui uma base firme. Certifique-se de que ninguém está por baixo quando usa a ferramenta em locais elevados.

GUARDE ESTAS INSTRUÇÕES.



AVISO:

NÃO permita que conforto ou familiaridade com o produto (adquirido com o uso repetido) substitua a aderência estrita às regras de segurança da ferramenta. MÁ INTERPRETAÇÃO ou não seguimento das regras de segurança estabelecidas neste manual de instruções pode causar danos pessoais sérios.

ENC007-7

IMPORTANTES INSTRUÇÕES DE SEGURANÇA

PARA A BATERIA

1. Antes de utilizar a bateria, leia todas as instruções e etiquetas de precaução no (1) carregador de bateria (2) bateria e (3) produto que utiliza a bateria.
2. Não abra a bateria.
3. Se o tempo de funcionamento se tornar excessivamente curto, pare o funcionamento imediatamente. Pode resultar em sobreaquecimento, possíveis queimaduras e mesmo explosão.
4. Se entrar electrólito nos seus olhos, lave-os com água e consulte imediatamente um médico. Pode resultar em perda de visão.
5. Não corte-circuite a bateria:
 - (1) Não toque nos terminais com qualquer material condutor.
 - (2) Evite guardar a bateria juntamente com outros objectos metálicos tais como pregos, moedas, etc.
 - (3) Não exponha a bateria à água ou chuva. Um curto-circuito pode ocasionar um enorme fluxo de corrente, sobreaquecimento, possíveis queimaduras e mesmo estragar-se.
6. Não guarde a ferramenta e a bateria em locais onde a temperatura pode atingir ou exceder 50°C.
7. Não queime a bateria mesmo que esteja estragada ou completamente gasta. A bateria pode explodir no fogo.
8. Tenha cuidado para não deixar cair ou dar pancadas na bateria.
9. Não utilize uma bateria danificada.

GUARDE ESTAS INSTRUÇÕES.

Conselhos para manter a máxima vida útil da bateria

1. **Carregue a bateria antes que esteja completamente descarregada.**
Pare sempre o funcionamento da ferramenta e carregue a bateria quando notar menos poder na ferramenta.
2. **Nunca carregue uma bateria completamente carregada. Carregamento excessivo diminui a vida útil da bateria.**
3. **Carregue a bateria à temperatura ambiente de 10°C – 40°C. Deixe que uma bateria quente arrefeça antes de a carregar.**
4. **Carregue a bateria uma vez a cada seis meses se não for utilizá-la por um longo período de tempo.**

DESCRIÇÃO FUNCIONAL

⚠ AVISO:

- **Certifique-se sempre de que a ferramenta está desligada e a bateria retirada antes de regular ou verificar qualquer função na ferramenta.** Se não desligar o interruptor e retirar o cartucho da bateria pode dar origem a ferimentos corporais graves decorrentes do arranque acidental.

Instalar ou retirar o cartucho da bateria (Fig. 1)

⚠ PRECAUÇÃO:

- Desligue sempre a ferramenta antes de instalar ou retirar o cartucho da bateria.
- **Segure firmemente na ferramenta e no cartucho da bateria quando instalar ou retirar o cartucho da bateria.** Se não segurar firmemente na ferramenta e no cartucho da bateria pode dar origem a que escorreguem das suas mãos e daí resultar danos para a ferramenta e para o cartucho da bateria e ferimentos corporais.

Para retirar o cartucho da bateria, deslize-o da ferramenta enquanto desliza o botão na parte da frente do cartucho.

Para instalar o cartucho da bateria, alinhe a lingueta no cartucho da bateria com o entalhe na caixa e deslize-o para o lugar. Insira-o por completo até bloquear no lugar com um pequeno estalido. Se conseguir ver o indicador vermelho no lado superior do botão, não está bloqueado completamente.

⚠ PRECAUÇÃO:

- Instale sempre o cartucho da bateria por completo até o indicador vermelho não ser visto. Se isso não acontecer, pode cair acidentalmente da ferramenta, causando-lhe ferimentos a si ou alguém perto de si.
- Não instale o cartucho da bateria fazendo força. Se o cartucho não deslizar facilmente, não está a ser inserido correctamente.

Sistema de protecção da bateria (bateria de ião de lítio com marcação de estrela) (Fig. 2)

As baterias de iões de lítio com uma marcação de estrela estão equipadas com um sistema de protecção. Este sistema corta automaticamente a corrente à ferramenta para aumentar a duração da bateria.

A ferramenta pára automaticamente durante a operação se a ferramenta e/ou a bateria estiverem sujeitas a uma das seguintes condições:

- **Sobrecarga:**
A ferramenta é operada de modo que a obriga a puxar uma corrente anormalmente elevada. Nesta situação, deslize o interruptor deslizante na ferramenta para a posição "O (OFF)" e pare a aplicação que forçou a ferramenta a ficar sobrecarregada. Em seguida, volte a deslizar o interruptor deslizante na ferramenta para a posição "I (ON)" para reiniciar. Se a ferramenta não iniciar, a bateria sobreaqueceu. Nesta situação, deixe a bateria arrefecer antes de voltar a deslizar o interruptor para a posição "I (ON)".
- **Tensão baixa da bateria:**
A capacidade restante da bateria é demasiado baixa e a ferramenta não funcionará. Nesta situação, retire e recarregue a bateria.

Ação do interruptor (Fig. 3)

⚠ PRECAUÇÃO:

- Antes de instalar o cartucho da bateria na ferramenta, verifique sempre se a ferramenta está desligada.

Para iniciar a ferramenta, deslize o interruptor deslizante para a posição "I (ON)".

Para parar a ferramenta, deslize o interruptor deslizante para a posição "O (OFF)".

Ajustar o ritmo de curso orbital (Fig. 4)

O ritmo de curso orbital é ajustável. Para mudar o ritmo de curso orbital, rode o mostrador entre 1 e 6. Quanto mais elevado o número, mais elevado é o ritmo de curso orbital. Programe o mostrador para o número adequado para a sua peça de trabalho.

NOTA:

- O mostrador não pode ser rodado directamente de 1 até 6 ou de 6 até 1. Forçar o mostrador pode danificar a ferramenta. Quando mudar a direcção do mostrador, rode-o sempre deslocando-o através de cada número intermédio.

Acender a lâmpada frontal (Fig. 5)

⚠ AVISO:

- Nunca olhe directamente para a luz. A luz directa provoca danos aos seus olhos.

Deslize o interruptor deslizante para a posição "I (ON)" para acender a lâmpada frontal. A lâmpada continua a acender enquanto o interruptor estiver na posição "I (ON)". A luz apaga-se automaticamente após premir a parte traseira do interruptor deslizante e depois deslizando-o para a posição "O (OFF)".

Protecção de sobrecarga

Quando a ferramenta estiver em sobrecarga e a temperatura da ferramenta atingir um determinado nível, a lâmpada frontal pisca e a ferramenta pára automaticamente. Elimine a causa da sobrecarga para reiniciar.

Lâmpada de indicação (Fig. 6)

- Quando a capacidade de bateria restante ficar baixa, a lâmpada de indicação pisca.
- Quando a capacidade de bateria restante baixar muito mais, a ferramenta pára durante a operação e a lâmpada de indicação acende cerca de 10 segundos

Nessa altura, retire o cartucho da bateria da ferramenta e carregue-a.

ASSEMBLAGEM

PRECAUÇÃO:

- Certifique-se sempre de que a ferramenta está desligada e a bateria retirada antes de executar qualquer manutenção na ferramenta.

Instalar ou retirar a ferramenta de aplicação (acessório opcional) (Fig. 7, 8 e 9)

AVISO:

- Não instale a ferramenta de aplicação ao contrário. Ao instalar a ferramenta de aplicação ao contrário pode danificar a ferramenta e causar ferimentos corporais graves.
- Instale o acessório da ferramenta na direcção correcta de acordo com o seu trabalho. A ferramenta de aplicação pode ser instalada a cada ângulo de 30 graus.

Coloque uma ferramenta de aplicação (acessório opcional) na flange da ferramenta para que as saliências da flange da ferramenta encaixem nos orifícios na ferramenta de aplicação e fixe esta apertando o parafuso com firmeza usando a chave hexagonal.

Quando usar ferramenta de aplicação de lixa, monte a ferramenta de aplicação no patim de lixagem para que corresponda à direcção do patim de lixagem.

O patim de lixagem tem um sistema de encaixe tipo gancho e aro que permite a instalação fácil e rápida de uma lixa.

Como as lixas têm orifícios para extracção de poeira, monte uma lixa para que os orifícios nela correspondam aos do patim de lixagem.

Para retirar uma lixa, levante a sua extremidade e descole-a. Desaperte e retire o parafuso de instalação da ferramenta de aplicação usando uma chave hexagonal e depois retire a ferramenta de aplicação.

Quando usar ferramentas de aplicação com um tipo diferente de secção de instalação, use um adaptador correcto (acessório opcional).

Guardar a chave hexagonal (Fig. 10)

Quando não estiver a ser usada, guarde a chave hexagonal como mostrado na figura para evitar que se perca.

OPERAÇÃO

AVISO:

- Antes de iniciar a ferramenta e durante a operação, mantenha a sua mão e rosto afastados da ferramenta de aplicação.
- Não aplique carga excessiva à ferramenta que pode causar um bloqueamento do motor e parar a ferramenta.

Cortar, serrar e raspar (Fig. 11)

Coloque a ferramenta de aplicação na peça de trabalho. Em seguida, desloque a ferramenta para a frente para que o movimento da ferramenta de aplicação não abrañe.

NOTA:

- Ao forçar ou usar pressão excessiva na ferramenta pode reduzir a eficácia.
- Antes da operação de corte, recomenda-se que programe o ritmo de curso orbital 4 – 6.

Lixar (Fig. 12)

AVISO:

- Não reutilize uma lixa usada para lixagem de metal para lixar madeira.
- Não use uma lixa gasta ou lixa sem grão.

Aplique a lixa na peça de trabalho.

NOTA:

- Recomenda-se o uso de uma amostra de material para determinar um ritmo de curso orbital correcto para o seu trabalho.
- Use uma lixa com o mesmo grão até estar concluída a lixagem de toda a peça de trabalho. Substituir uma lixa por lixa com grão diferente pode não dar um bom acabamento.

Acessório de extracção de poeira (acessório opcional) (Fig. 13 e 14)

- Instale os bocais para poeira e acoplamento para poeira.
- Instale a cinta do bocal na ferramenta para que as suas saliências encaixem nos orifícios da ferramenta para a fixar.
- Coloque a arruela de feltro e a lixa no acoplamento para poeira e depois fixe-as com o parafuso de instalação da ferramenta de aplicação.

Quando desejar executar uma operação mais limpa, ligue um aspirador à ferramenta. Ligue um tubo do aspirador ao acessório de extracção de poeira (acessório opcional).

MANUTENÇÃO

PRECAUÇÃO:

- Certifique-se sempre de que a ferramenta esteja desligada e a bateria retirada antes de executar qualquer inspecção ou manutenção na ferramenta, excepto ao solucionar os problemas seguintes relacionados com a lâmpada.
- Nunca utilize gasolina, benzina, diluente, álcool ou produtos semelhantes. Pode ocorrer a descoloração, deformação ou rachaduras.

Para manter a SEGURANÇA e FIABILIDADE do produto, a reparação, inspecção e substituição da escova de carvão, bem como qualquer afinação ou manutenção devem sempre ser efectuadas num centro de assistência oficial Makita, utilizando sempre peças de substituição Makita.

ACESSÓRIOS OPCIONAIS

PRECAUÇÃO:

- Estes acessórios ou peças são recomendados para utilização com a ferramenta Makita especificada neste manual. A utilização de outros acessórios ou peças pode ser perigosa para as pessoas. Utilize apenas acessórios ou peças para os fins indicados.

Se precisar de ajuda para obter mais informações relativos a estes acessórios, entre em contacto com o centro de assistência Makita local.

- Lâmina de serra segmentada
- Lâmina circular de serra
- Lâmina de serra de corte penetrante
- Raspador (rígido)
- Raspador (flexível)
- Lâmina segmentada serrilhada
- Máquina de serragem de juntas
- Decapante HM
- Lâmina de serra segmentada HM
- Placa de lixagem HM
- Lâmina de serra segmentada diamante
- Patim de lixagem
- Adaptador
- Lixa abrasiva delta (vermelha / branca / preta)
- Velo delta (médio / grosseiro / sem grão)
- Feltro de polimento delta
- Chave hexagonal
- Acessório de extracção de poeira
- Bateria e carregador genuínos da Makita

NOTA:

- Alguns itens da lista podem estar incluídos na embalagem da ferramenta como acessórios padrão. Eles podem variar de país para país.

Ruído

ENG905-1

A característica do nível de ruído A determinado de acordo com EN60745:

Modo de funcionamento: lixagem

Nível de pressão de som (L_{pA}): 78 dB (A)

Variabilidade (K): 3 dB (A)

O nível de ruído durante o trabalho pode exceder 80 dB (A).

Modo de funcionamento: corte com lâmina de serra de corte penetrante

Modelo BTM40

Nível de pressão de som (L_{pA}): 82 dB (A)

Nível do som (L_{WA}): 93 dB (A)

Variabilidade (K): 3 dB (A)

Modelo BTM50

Nível de pressão de som (L_{pA}): 84 dB (A)

Nível do som (L_{WA}): 95 dB (A)

Variabilidade (K): 3 dB (A)

Modo de funcionamento: corte com lâmina de serra segmentada

Nível de pressão de som (L_{pA}): 81 dB (A)

Nível do som (L_{WA}): 92 dB (A)

Variabilidade (K): 3 dB (A)

Modo de funcionamento: raspagem

Modelo BTM40

Nível de pressão de som (L_{pA}): 81 dB (A)

Nível do som (L_{WA}): 92 dB (A)

Variabilidade (K): 3 dB (A)

Modelo BTM50

Nível de pressão de som (L_{pA}): 83 dB (A)

Nível do som (L_{WA}): 94 dB (A)

Variabilidade (K): 3 dB (A)

Utilize protectores para os ouvidos

ENG900-1

Vibração

O valor total da vibração (soma vectorial tri-axial) determinado de acordo com EN60745:

Modo de funcionamento: lixagem

Emissão de vibração (a_{h1}): 2,5 m/s² ou inferior

Variabilidade (K): 1,5 m/s²

Modo de funcionamento: corte com lâmina de serra de corte penetrante

Modelo BTM40

Emissão de vibração (a_{h1}): 9,5 m/s²

Variabilidade (K): 1,5 m/s²

Modelo BTM50

Emissão de vibração (a_{h1}): 10,0 m/s²

Variabilidade (K): 1,5 m/s²

Modo de funcionamento: corte com lâmina de serra segmentada

Modelo BTM40

Emissão de vibração (a_{h1}): 5,0 m/s²

Variabilidade (K): 1,5 m/s²

Modelo BTM50

Emissão de vibração (a_{h1}): 5,5 m/s²

Variabilidade (K): 1,5 m/s²

Modo de funcionamento: raspagem

Modelo BTM40

Emissão de vibração (a_{h1}): 7,5 m/s²

Variabilidade (K): 1,5 m/s²

Modelo BTM50

Emissão de vibração (a_{h1}): 9,5 m/s²

Variabilidade (K): 1,5 m/s²

ENG901-1

- O valor da emissão de vibração indicado foi medido de acordo com o método de teste padrão e pode ser utilizado para comparar duas ferramentas.
- O valor da emissão de vibração indicado pode também ser utilizado na avaliação preliminar da exposição.

AVISO:

- A emissão de vibração durante a utilização real da ferramenta eléctrica pode diferir do valor de emissão indicado, dependendo das formas como a ferramenta é utilizada.
- Certifique-se de identificar as medidas de segurança para protecção do operador que sejam baseadas em uma estimativa de exposição em condições reais de utilização (considerando todas as partes do ciclo de operação, tal como quando a ferramenta está desligada e quando está a funcionar em marcha lenta além do tempo de accionamento).

Só para países Europeus

Declaração de conformidade CE

Nós, a Makita Corporation, fabricante responsável, declaramos que a(s) seguinte(s) ferramenta(s)

Makita:

Designação da ferramenta:

Multicortadora Oscilante a Bateria

Modelos n.º/Tipo: BTM40, BTM50

são de produção de série e

Em conformidade com as seguintes directivas europeias:

2006/42/EC

E estão fabricados de acordo com as seguintes normas ou documentos normativos:

EN60745

A documentação técnica é mantida pelo nosso representante autorizado na Europa:

Makita International Europe Ltd.

Michigan Drive, Tongwell,

Milton Keynes, Bucks MK15 8JD, Inglaterra

20.10.2011



Tomoyasu Kato

Director

Makita Corporation

3-11-8, Sumiyoshi-cho,

Anjo, Aichi, 446-8502, JAPAN

Illustrationsoversigt

1 Knap	9 Installationsbolt til anvendelsesværktøj	15 Mundstykkebånd
2 Rød indikator	10 Huller i anvendelsesværktøj	16 Støvmundstykke
3 Akku	11 Fremspring på værktøjsflange	17 Støvtilbehør
4 Stjernemærke	12 Sekskantnøgle	18 Filtring
5 Skydeknap	13 Stram	19 Pude
6 Drejeskive	14 Adapter (påkrævet til visse anvendelsesværktøjer)	20 Huller i værktøjet
7 Frontlampe		21 Fremspring på mundstykkebånd
8 Indikatorlampe		

SPECIFIKATIONER

Model		BTM40	BTM50
Svingning pr. minut		6 000 – 20 000 (min ⁻¹)	
Oscillationsvinkel, venstre/højre		1,6° (3,2° i alt)	
Længde ialt		324 mm	
Nettovægt	uden støvudtrækningstilbehør	1,9 kg	2,0 kg
	med støvudtrækningstilbehør	2,0 kg	2,1 kg
Mærkespænding		D.C. 14,4 V	D.C. 18 V

- På grund af vores kontinuerlige forskningsprogrammer og udvikling, kan hosstående specifikationer blive ændret uden varsel.
- Specifikationer og akku kan variere fra land til land.
- Vægt inklusive akku, i henhold til EPTA-Procedure 01/2003

GEB094-2

ENE080-1

Tilsigtet anvendelse

Maskinen er beregnet til savning og skæring af træ, plastric, gips, ikke-jernholdigt metal og fastgøringslementer (d.v.s. uhardede søm og hæfteklammer). Den er også beregnet til arbejde på bløde fliser såvel som slibning og afskrabning af mindre flader. Den er specielt beregnet til at arbejde tæt på kanter og til lige skæring.

GEA010-1

Almindelige sikkerhedsregler for el-værktøj

⚠ ADVARSEL! Læs alle sikkerhedsadvarsler og alle sikkerhedsinstruktioner. Hvis nedenstående advarsler og instruktioner ikke overholdes, kan resultatet blive elektrisk stød, brand og/eller alvorlig personskade.

Gem alle advarsler og instruktioner til fremtidig reference.

SIKKERHEDSFORSKRIFTER FOR AKKU-MULTIMASKINE

1. Dette el-værktøj er beregnet til at foretage savning, skæring, slibning og pudning. Læs alle de sikkerhedsforskrifter, illustrationer og specifikationer, som følger med dette el-værktøj. Forsømmelse af at overholde alle de herunder angivne instruktioner, kan føre til elektrisk stød, brand og/eller alvorlig tilskadekomst.
2. Hold el-værktøjet i de isolerede grebflader, når der udføres et arbejde, hvor skæretilbehøret kan komme i kontakt med skjulte ledninger. Skæretilbehør, som kommer i kontakt med en "strømførende" ledning, kan gøre el-værktøjets ikke-isolerede metaldele "strømførende", hvilket kan give operatøren elektrisk stød.
3. Anvend klamper eller en anden praktisk måde til at fastgøre og understøtte arbejdsemnet til en stabil platform. Hvis De holder arbejdsemnet i hånden eller mod kroppen, blive det ustabil, og De kan miste herredømmet over det.
4. Anvend altid sikkerhedsbriller eller beskyttelsesbriller. Almindelige briller og solbriller er IKKE sikkerhedsbriller.
5. Undgå at skære i søm. Inspicér arbejdsemnet for søm og fjern dem, inden arbejdet påbegyndes.
6. Hold godt fast i maskinen.
7. Sørg for, at anvendelsesværktøjet ikke er i kontakt med arbejdsemnet, inden der tændes for det med afbryderen.
8. Hold hænderne væk fra bevægende dele.
9. Lad ikke maskinen køre i tomgang. Anvend kun maskinen håndholdt.
10. Sluk altid for maskinen og vent til klingens er helt standset, inden klingens fjernes fra arbejdsemnet.
11. Rør ikke ved anvendelsesværktøjet eller arbejdsemnet umiddelbart efter brugen. Disse kan være meget varme og De kan brænde Dem.

12. Anvend ikke maskinen unødvendigt i ubelastet tilstand.
13. Anvend altid den korrekte støvmaske/respirator til det materiale og anvendelsesværktøj, De arbejder med.
14. Nogle materialer indeholder kemikalier, som kan være giftige. Vær påpasselig med at forhindre inhalering af støv og hudkontakt. Følg materialeleverandørens sikkerhedsdata.
15. Denne maskine er ikke vandfastbehandlet, så brug ikke vand på arbejdsemnets overflade.
16. Sørg for tilstrækkelig ventilation på arbejdsområdet, når slibning udføres.
17. Anvendelse af denne maskine til at slibe nogle produkter, maling og træ kan udsætte brugeren for støv, der indeholder farlige substanser. Anvend passende beskyttelse mod indånding.
18. Kontroller, at der ikke er revner eller brud på puden inden brugen. Revner eller brud kan medføre tilskadekomst.
19. Anvend ikke tilbehør, som ikke er specielt designet og anbefalet af fabrikanten af maskinen. Bare fordi en tilbehørsdel kan monteres på Deres el-værktøj, betyder det ikke, at en sikker anvendelse er en selvfølge.
20. Brug personligt beskyttelsesudstyr. Brug, afhængigt af anvendelsen, ansigtsskjold, beskyttelsesbriller eller sikkerhedsbriller. Brug passende høreværn, handsker og arbejdsforklæde, som er i stand til at stoppe mindre skarpe dele eller fragmenter fra arbejdsemnet. Øjenbeskyttelsen skal kunne stoppe flyvende dele, der frembringes af forskellige operationer. Støvmasken eller respiratoren skal kunne filtrere partikler, som frembringes under arbejdet. Længere tids udsættelse for højintensiv støj kan føre til høretab.
21. Hold omkringstående personer på sikker afstand af arbejdsområdet. Enhver person, der kommer ind i arbejdsområdet, skal bære personligt beskyttelsesudstyr. Fragmenter af arbejdsemnet eller fra en brækket tilbehørsdel kan slynges ud og være årsag til tilskadekomst uden for selve arbejdsområdet.
22. Læg aldrig maskinen fra Dem, før tilbehørsdelen er helt standset. Det roterende tilbehør kan gribe fat i overfladen og trække el-værktøjet ud af Deres herredømme.
23. Kør ikke el-værktøjet, mens De bærer det ved siden. Utilsigtet kontakt med tilbehøret kan klemme det fast i tøj, hvorved det kan blive trukket ind mod kroppen.
24. Brug ikke el-værktøjet i nærheden af brændbare materialer. Gnister kan antænde disse materialer.
25. Brug ikke tilbehør, der kræver flydende kølemidler. Anvendelse af vand eller flydende kølemidler kan resultere i et dødeligt elektrisk stød eller stød.
26. Vær altid sikker på, at maskinen er afbrudt og taget ud af forbindelse eller at akkuen er fjernet, inden der udføres noget arbejde på maskinen.
27. Vær altid sikker på, at De har et godt fodfæste. Vær sikker på, at der ikke befinder sig nogen nedenunder, når maskinen anvendes i højden.

GEM DISSE FORSKRIFTER.



ADVARSEL:

LAD IKKE bekvemmelighed eller kendskab til produktet (opnået gennem gentagen brug) forhindre, at sikkerhedsforskrifterne for produktet nøje overholdes. MISBRUG eller forsømmelse af at følge de i denne brugsvejledning givne sikkerhedsforskrifter kan føre til, at De kommer alvorligt til skade.

ENC007-7

VIGTIGE SIKKERHEDSFORSKRIFTER

FOR AKKU

1. Læs alle instruktioner og advarselmærkater på (1) akku opladeren, (2) akku og (3) produktet, som anvender akku.
2. Lad være med at skille akkuen ad.
3. Hold straks op med at anvende opladeren, hvis brugstiden er blevet stærkt afkortet. Forsat anvendelse kan resultere i risiko for overophedning, forbrændinger og endog eksplosion.
4. Hvis du har fået elektrolytvæske i øjnene, skal du straks skylle den ud med rent vand og derefter øjeblikkeligt søge lægehjælp. I modsat fald kan resultatet blive, at du mister synet.
5. Vær påpasselig med ikke at komme til at kortslutte akkuen:
 - (1) Rør ikke ved terminalerne med noget ledende materiale.
 - (2) Undgå at opbevare akkuen i en beholder sammen med andre genstande af metal, som for eksempel søm, mønter og lignende.
 - (3) Udsæt ikke akkuen for vand eller regn. Kortslutning af akkuen kan være årsag til en kraftig øgning af strømmen, overophedning, mulige forbrændinger og endog maskinstop.
6. Opbevar ikke værktøj og akkuen på et sted, hvor temperaturen kan nå eller overstige 50°C.
7. Lad være med at brænde akkuen, selv ikke i tilfælde, hvor det har lidt alvorlig skade eller er fuldstændig udtjent. Akkuen kan eksplodere, hvis man forsøger at brænde den.
8. Lad være med at brænde akkuen eller udsætte det for stød.
9. Anvend ikke en beskadiget akku.

GEM DISSE FORSKRIFTER.

Tips til opnåelse af maksimal akku-levetid

1. Oplad altid akkuen, inden den er helt afladet. Stop altid værktøj og oplad akkuen, hvis det bemærkes, at maskineffekten er dalende.
2. Genoplad aldrig en fuldt opladet akku. Overopladning vil afkorte akkuens levetid.
3. Oplad akkuen ved stuetemperatur ved 10°C – 40°C. Lad altid en varm akku få tid til at køle af, inden den oplades.
4. Oplad akkuen en gang hver sjette måned, hvis den ikke anvendes i et længere tidsrum.

FUNKTIONSBESKRIVELSE



ADVARSEL:

- Sørg altid for at maskinen er slukket, og at akkuen er taget ud, før der udføres justering eller kontrol af funktioner på maskinen. Forsømmelse af at slukke for maskinen og fjerne akkuen kan resultere i alvorlig tilskadekomst forårsaget af utilslået start.

Montering og afmontering af akkuen (Fig. 1)

⚠ FORSIGTIG:

- Sluk altid for maskinen, inden De installerer eller fjerner akkuen.
- **Hold godt fast i maskinen og akkuen, når akkuen installeres eller fjernes.** Forsømmelse af at holde godt fast i maskinen og akkuen, kan bevirke, at disse glider ud af hænderne på Dem, hvilket kan resultere i beskadigelse af maskinen og akkuen samt tilskadekomst.

For at fjerne akkuen, skal man skyde den fra maskinen, idet man skyder knappen på forsiden af akkuen i stilling. For at installere akkuen, skal man sætte tungen på akkuen ud for rillen i huset og skyde den på plads. Sæt den hele vejen ind, så den låses på plads med et lille klik. Hvis den røde indikator på oversiden af knappen er synlig, betyder det, at den ikke er helt låst.

⚠ FORSIGTIG:

- Sæt altid akkuen helt ind, så den røde indikator ikke kan ses. Hvis den ikke er sat helt ind, kan den ved et uheld falde ud af maskinen, hvorved omkringstående eller De selv kan komme til skade.
- Sæt ikke akkuen i med magt. Hvis akkuen ikke glider nemt på plads, betyder det, at den ikke sættes korrekt i.

Akku-beskyttelsessystem (lithium-ion akku med stjernemærke) (Fig. 2)

Lithium-ion akkuer med stjernemærke er udstyret med et beskyttelsessystem. Dette system afbryder automatisk strømmen til maskinen, så akkuens levetid forlænges. Maskinen vil automatisk stoppe under anvendelsen, hvis maskinen og/eller akkuen er i en af de følgende tilstande:

- **Overbelastet:**
Maskinen køres på en måde, der bevirker, at den forbruger en unormalt høj strøm.
Skyd i denne situation skydeknappen mod stilling "O (OFF)" og stop den anvendelse, som bevirkede, at maskinen blev overbelastet. Skyd derefter skydeknappen mod stilling "I (ON)" igen for at starte igen.
Hvis maskinen ikke starter, er det fordi akkuen er overbelastet. I denne situation skal man lade akkuen køle af, inden man skyder skydeknappen mod stilling "I (ON)" igen.
- **Lav akku-spænding:**
Den tilbageværende akku-kapacitet er for lav og maskinen vil ikke køre. Fjern i dette tilfælde akkuen og oplad den.

Afbryderanvendelse (Fig. 3)

⚠ FORSIGTIG:

- Inden akkuen sættes i maskinen, skal det altid kontrolleres, at der er slukket for maskinen.

For at starte maskinen, skal man skyde skydeknappen mod stilling "I (ON)".
For at stoppe maskinen, skal man skyde skydeknappen mod stilling "O (OFF)".

Indstilling af omløbsslagintensiteten (Fig. 4)

Omløbsslagintensiteten er justerbar. For at ændre omløbsslagintensiteten, skal man dreje drejeskiven mellem 1 og 6. Jo højere tallet er, desto højere er omløbsslagintensiteten. Forindstil drejeskiven på det tal, der erregnet til arbejdsområdet.

BEMÆRK:

- Drejeskiven kan drejes direkte fra 1 til 6 eller fra 6 til 1. Drejning med magt kan beskadige maskinen. Når drejeskivens retning ændres, skal man altid dreje drejeskiven via hvert mellemtal.

Tænding af frontlampen (Fig. 5)

⚠ ADVARSEL:

- Se aldrig direkte ind i lyset. Direkte lys vil øve skade på synet.

Skyd skydeknappen mod stilling "I (ON)" for at tænde frontlampen. Lampen bliver ved med at lyse, mens knappen er i stilling "I (ON)". Lyset slukker automatisk, efter at der er trykket på bagenden af skydeknappen og skydeknappen derefter er trykket mod stilling "O (OFF)".

Beskyttelse mod overbelastning

Hvis maskinen er overbelastet og dens temperatur har nået et vist niveau, blinker frontlampen og maskinen stopper automatisk. Eliminer årsagen til overbelastningen og start igen.

Indikatorlampe (Fig. 6)

- Når den tilbageværende akku-kapacitet er blevet lav, blinker indikatorlampen.
- Når den tilbageværende akku-kapacitet er blevet meget lavere, stopper maskinen under anvendelsen og indikatorlampen lyser i ca. 10 sekunder.

Fjern på dette tidspunkt akkuen fra maskinen og oplad den.

SAMLING

⚠ FORSIGTIG:

- Sørg altid for at maskinen er slukket, og at akkuen er taget ud, før der udføres noget arbejde på maskinen.

Montering og aftagning af anvendelsesværktøjet (ekstraudstyr) (Fig. 7, 8 og 9)

⚠ ADVARSEL:

- Monter ikke anvendelsesværktøjet omvendt. Montering af anvendelsesværktøjet omvendt kan beskadige maskinen og føre til alvorlig tilskadekomst.
- Monter tilbehørsværktøjet i den rigtige retning i overensstemmelse med arbejdet. Anvendelsesværktøjet kan monteres i en vinkel for hver 30 grader.

Anbring et anvendelsesværktøj (ekstraudstyr) på værktøjsflangen, så fremspringene på værktøjsflangen passer ind i hullerne på anvendelsesværktøjet ved at man strammer boltene godt til med sekskantnøglen.

Når anvendelsesværktøjet til sandpapirslibning anvendes, skal man montere anvendelsesværktøjet på slibepuden, så det passer til slibepudens retning.

Slibepuden har et tilpasningssystem med en krog og en løkke, som muliggør nem og hurtig påsætning af sandpapir.

Da sandpapir har huller til støvudtrækning, skal man montere sandpapiret således, at dets huller passer til dem i slibepuden.

For at fjerne sandpapiret, skal man løfte dets ender og trække det af. Løs og fjern installationsboltene til anvendelsesværktøjet med en sekskantnøgle, og fjern derefter anvendelsesværktøjet.

Når der anvendes applikationsværktøj med en anden type monteringsdel, skal en korrekt adapter anvendes (ekstraudstyr).

Opbevaring af sekskantnøglen (Fig. 10)

Når sekskantnøglen ikke bruges, skal den opbevares som vist på Illustrationen, så den ikke bortkommer.

BETJENING

⚠ ADVARSEL:

- Inden maskinen startes og under brugen, skal De holde hænder og ansigt væk fra anvendelsesværktøjet.
- Udøv ikke for kraftigt tryk på maskinen, da det kan bevirke, at motoren låses og maskinen stopper.

Skæring, savning og afskrabning (Fig. 11)

Anbring anvendelsesværktøjet på arbejdsemnet.

Bevæg derefter maskinen fremad, så anvendelsesværktøjets bevægelse ikke bliver langsommere.

BEMÆRK:

- Tvang eller ekstremt tryk på maskinen kan føre til nedsat effektivitet.
- Det anbefales, inden der skæres, at forindstille omløbslagintensiteten 4 – 6.

Slibning (Fig. 12)

⚠ ADVARSEL:

- Genbrug ikke sandpapir, der har været anvendt til slibning af metal, til slibning af træ.
- Brug ikke slidt sandpapir eller sandpapir uden slibekorn.

Sæt et stykke sandpapir på arbejdsemnet.

BEMÆRK:

- Det anbefales at anvende en testmaterialeprøve til at bestemme en korrekt omløbslagintensitet, der er egnet til Deres arbejde.
- Brug sandpapir med samme slibekorn, indtil slibning af hele arbejdsemnet er fuldført. Hvis et stykke sandpapir erstattes af et stykke sandpapir med en anden type slibekorn, er det ikke sikkert, at en fin finish kan opnås.

Støvdtrækningstilbehør (ekstraudstyr) (Fig. 13 og 14)

- Monter støvmundstykker og støvtilbehør.
- Monter støvmundstykkebandet på maskinen, så dets fremspring passer ind i hullerne i maskinen, for at fastgøre det.
- Anbring filtringen og slibepuden på støvtilbehøret og fastgør dem derefter med installationsbolten til anvendelsesværktøjet.

Hvis De ønsker en renere udførelse, skal De slutte en støvsuger til maskinen. Slut støvslugerslangen til støvdtrækningstilbehøret (ekstraudstyr).

VEDLIGEHOLDELSE

⚠ FORSIGTIG:

- Sørg altid for, at maskinen er slukket, og akkuen er taget ud, før De forsøger at udføre eftersyn eller vedligeholdelse, med undtagelse af fejlfinding relateret til lyset.
- Anvend aldrig benzin, rensbenzin, fortynder, alkohol og lignende. Resultatet kan blive misfarvning, deformation eller revner.

For at opretholde produktets SIKKERHED og PÅLIDELIGHED, må istandsættelse, eftersyn af kulbørster og udskiftning af dele samt alle andre vedligeholdelsesarbejder og justeringer kun udføres af et autoriseret Makita Servicecenter, og der må kun anvendes udskiftningsdele fra Makita.

EKSTRAUDSTYR

⚠ FORSIGTIG:

- Det følgende tilbehør og ekstraudstyr er anbefalet til brug med Deres Makita maskine, der er beskrevet i denne brugsanvisning. Anvendelse af andet tilbehør eller ekstraudstyr kan udgøre en risiko for personskade. Anvend kun tilbehør og ekstraudstyr til det beskrevne formål.

Hvis De har behov for yderligere detaljer om dette tilbehør, bedes De kontakte Deres lokale Makita Service Center.

- Segment-savklinge
- Rund savklinge
- Indstikssavklinge
- Skraber (stiv)
- Skraber (fleksibel)
- Takket segmentklinge
- Almindelig sammenføjningsskærer
- HM fjerner
- HM segmentsavklinge
- HM slibepude
- Diamantsegmantsavklinge
- Slibepude
- Adapter
- Slibepapirdelta (rød / hvid / sort)
- Fleece-delta (medium / grov / uden slibekorn)
- Polerfiltdelta
- Sekskantnøgle
- Støvdtrækningstilbehør
- Original Makita-akku og oplader

BEMÆRK:

- Nogle ting på denne liste kan være inkluderet i værktøjspakken som standardtilbehør. Det kan være forskellige fra land til land.

Lyd

ENG905-1

Det typiske A-vægtede støjniveau bestemt i overensstemmelse med EN60745:

Arbejdsindstilling: slibning
Lydtryksniveau (L_{pA}): 78 dB (A)
Usikkerhed (K): 3 dB (A)

Støjniveauet under arbejde kan overstige 80 dB (A).

Arbejdsindstilling: skæring med indstikssavklinge

Model BTM40

Lydtryksniveau (L_{pA}): 82 dB (A)
Lydeffektniveau (L_{WA}): 93 dB (A)
Usikkerhed (K): 3 dB (A)

Model BTM50

Lydtryksniveau (L_{pA}): 84 dB (A)
Lydeffektniveau (L_{WA}): 95 dB (A)
Usikkerhed (K): 3 dB (A)

Arbejdsindstilling: skæring med segment-savklinge

Lydtryksniveau (L_{pA}): 81 dB (A)
Lydeffektniveau (L_{WA}): 92 dB (A)
Usikkerhed (K): 3 dB (A)

Arbejdsindstilling: afskrabning

Model BTM40

Lydtryksniveau (L_{pA}): 81 dB (A)
Lydeffektniveau (L_{WA}): 92 dB (A)
Usikkerhed (K): 3 dB (A)

Model BTM50

Lydtryksniveau (L_{pA}): 83 dB (A)
 Lydeffektniveau (L_{WA}): 94 dB (A)
 Usikkerhed (K): 3 dB (A)

Bær høreværn**Vibration**

ENG900-1

Vibrations totalværdi (tre-aksial vektorsum) bestemt i overensstemmelse med EN60745:

Arbejdsindstilling: slibning

Vibrationsafgivelse (a_{H1}): 2,5 m/s² eller mindre
 Usikkerhed (K): 1,5 m/s²

Arbejdsindstilling: skæring med indstikssavklinge

Model BTM40

Vibrationsafgivelse (a_{H1}): 9,5 m/s²
 Usikkerhed (K): 1,5 m/s²

Model BTM50

Vibrationsafgivelse (a_{H1}): 10,0 m/s²
 Usikkerhed (K): 1,5 m/s²

Arbejdsindstilling: skæring med segment-savklinge

Model BTM40

Vibrationsafgivelse (a_{H1}): 5,0 m/s²
 Usikkerhed (K): 1,5 m/s²

Model BTM50

Vibrationsafgivelse (a_{H1}): 5,5 m/s²
 Usikkerhed (K): 1,5 m/s²

Arbejdsindstilling: afskrabning

Model BTM40

Vibrationsafgivelse (a_{H1}): 7,5 m/s²
 Usikkerhed (K): 1,5 m/s²

Model BTM50

Vibrationsafgivelse (a_{H1}): 9,5 m/s²
 Usikkerhed (K): 1,5 m/s²

ENG901-1

- Den angivne vibrationsemissionsværdi er blevet målt i overensstemmelse med standardtestmetoden og kan anvendes til at sammenligne en maskine med en anden.
- Den angivne vibrationsemissionsværdi kan også anvendes i en preliminær eksponeringsvurdering.

⚠ ADVARSEL:

- Vibrationsemissionen under den faktiske anvendelse af maskinen kan være forskellig fra den erklærede emissionsværdi, afhængigt af den måde, hvorpå maskinen anvendes.
- Sørg for at identificere de sikkerhedsforskrifter til beskyttelse af operatøren, som er baseret på en vurdering af eksponering under de faktiske brugsforhold (med hensyntagen til alle dele i brugscyklen, som f.eks. de gange, hvor maskinen er slukket og når den kører i tomgang i tilgift til afbrydertiden).

Kun for lande i Europa**EU-konformitetserklæring**

Vi, Makita Corporation, erklærer, som den ansvarlige fabrikant, at den (de) følgende Makita maskine(r):

Maskinens betegnelse:

Akku-multimaskine

Model nr./Type: BTM40, BTM50

er af serieproduktion og

opfylder betingelserne i de følgende EU-direktiver:
 2006/42/EC

og er fremstillet i overensstemmelse med de følgende standarder eller standardiserede dokumenter:

EN60745

Den tekniske dokumentation opbevares af vores autoriserede repræsentant i Europa, som er:

Makita International Europe Ltd.

Michigan Drive, Tongwell,

Milton Keynes, Bucks MK15 8JD, England

20.10.2011



Tomoyasu Kato
 Direktør

Makita Corporation
 3-11-8, Sumiyoshi-cho,
 Anjo, Aichi, 446-8502, JAPAN

Περιγραφή γενικής άποψης

1 Κουμπί	9 Μπουλόνι τοποθέτησης εργαλείου εφαρμογής	15 Ζώνη ακροφυσίου
2 Κόκκινη ένδειξη	10 Οπές στο εργαλείο εφαρμογής	16 Ακροφύσιο σκόνης
3 Κασέτα μπαταρίας	11 Προεξοχές στη φλάντζα εργαλείου	17 Προσάρτημα σκόνης
4 Ένδειξη αστεριού	12 Εξαγωνικό κλειδί	18 Δακτύλιος τσάχας
5 Κυλιόμενος διακόπτης	13 Σφιγστε	19 Βάση
6 Καντράν	14 Προσαρμογέας (απαιτείται για μερικά εργαλεία εφαρμογής)	20 Οπές στο εργαλείο
7 Μπροστινή λυχνία		21 Προεξοχές στη ζώνη ακροφυσίου
8 Ενδεικτική λυχνία		

ΤΕΧΝΙΚΑ ΧΑΡΑΚΤΗΡΙΣΤΙΚΑ

Μοντέλο		BTM40	BTM50
Ταλάντωση ανά λεπτό		6.000 – 20.000 (λεπ ⁻¹)	
Γωνία ταλάντωσης, αριστερά/δεξιά		1,6° (3,2° συνολική)	
Συνολικό μήκος		324 χιλ	
Καθαρό βάρος	χωρίς εξάρτημα εξαγωγής σκόνης	1,9 Χγρ	2,0 Χγρ
	με εξάρτημα εξαγωγής σκόνης	2,0 Χγρ	2,1 Χγρ
Ονομαστική τάση		D.C. 14,4 V	D.C. 18 V

GEB094-2

- Λόγω του συνεχιζόμενου προγράμματος έρευνας και ανάπτυξης, οι παρούσες προδιαγραφές υπόκεινται σε αλλαγή χωρίς προειδοποίηση.
- Τα τεχνικά χαρακτηριστικά και η κασέτα μπαταρίας μπορεί να διαφέρουν από χώρα σε χώρα.
- Βάρος, με κασέτα μπαταρίας, σύμφωνα με τη διαδικασία ΕΡΤΑ 01/2003

ENE080-1

Προοριζόμενη χρήση

Το εργαλείο προορίζεται για το πρίονισμα και την κοπή ξύλου, πλαστικού, γύψου, μη σιδηρούχων μετάλλων και συνδέσμων (π.χ. μη σκληρυμένα καρφιά και συρραπτικά). Επίσης προορίζεται για την επεξεργασία μαλακών πλακακιών τοίχου, καθώς και την ξηρή λείανση και ξύσιμο μικρών επιφανειών. Προορίζεται ειδικά για την εργασία κοντά σε κοπές άκρων και ευθυγραμμισμένες κοπές.

GEA010-1

Γενικές προειδοποιήσεις ασφαλείας για το ηλεκτρικό εργαλείο

⚠ ΠΡΟΕΙΔΟΠΟΙΗΣΗ Διαβάστε όλες τις προειδοποιήσεις ασφαλείας και όλες τις οδηγίες. Η μη τήρηση των προειδοποιήσεων και οδηγιών ενδέχεται να καταλήξει σε ηλεκτροπληξία, πυρκαγιά ή/και σοβαρό τραυματισμό.

Φυλάξτε όλες τις προειδοποιήσεις και τις οδηγίες για μελλοντική παραπομπή.

ΠΡΟΕΙΔΟΠΟΙΗΣΕΙΣ ΓΙΑ ΤΗΝ ΑΣΦΑΛΕΙΑ ΓΙΑ ΤΟ ΦΟΡΗΤΟ ΠΟΛΥΕΡΓΑΛΕΙΟ

1. Αυτό το ηλεκτρικό εργαλείο προορίζεται για πρίονισμα, κοπή, τρόχισμα και λείανση. Διαβάστε όλες τις προειδοποιήσεις ασφαλείας, οδηγίες, απεικονίσεις και προδιαγραφές που συνοδεύουν το παρόν ηλεκτρικό εργαλείο. Η μη τήρηση όλων των οδηγιών που αναγράφονται κατωτέρω ενδέχεται να καταλήξει σε ηλεκτροπληξία, πυρκαγιά ή/και σοβαρό τραυματισμό.
2. Να κρατάτε το ηλεκτρικό εργαλείο από τις μονωμένες επιφάνειες λαβής όταν εκτελείτε εργασίες κατά τις οποίες το εξάρτημα κοπής μπορεί να έρθει σε επαφή με κρυμμένα καλώδια. Σε περίπτωση επαφής του εξαρτήματος κοπής με ηλεκτροφόρο καλώδιο, μπορεί τα εκτεθειμένα μεταλλικά εξαρτήματα του ηλεκτρικού εργαλείου να καταστούν τα ίδια ηλεκτροφόρα και να προκαλέσουν ηλεκτροπληξία στο χειριστή.
3. Να χρησιμοποιείτε σφιγκτήρες ή κάποιο άλλο πρακτικό μέσο για να ασφαλίσετε και να στηρίξετε το τεμάχιο εργασίας σε μια σταθερή πλατφόρμα. Αν κρατάτε το τεμάχιο εργασίας με το χέρι σας ή επάνω στο σώμα σας, θα είναι ασταθές και μπορεί να χάσετε τον έλεγχο.
4. Να χρησιμοποιείτε πάντοτε γυαλιά ασφαλείας ή προστατευτικά ματιών. Τα συνηθισμένα γυαλιά και τα γυαλιά ηλίου ΔΕΝ αποτελούν γυαλιά ασφαλείας.
5. Να αποφεύγετε την κοπή καρφιών. Να ελέγχετε το τεμάχιο εργασίας για τυχόν καρφιά και να τα αφαιρείτε πριν από τη λειτουργία.
6. Κρατήστε το εργαλείο σταθερά.
7. Να βεβαιώνετε ότι το εργαλείο εφαρμογής δεν ακουμπάει το τεμάχιο εργασίας πριν ενεργοποιείτε το διακόπτη λειτουργίας.
8. Μην πλησιάζετε τα χέρια σας σε κινούμενα μέρη.

9. Μην αφήνετε το εργαλείο σε λειτουργία. Το εργαλείο πρέπει να βρίσκεται σε λειτουργία μόνο όταν το κρατάτε.
10. Πάντοτε να σβήνετε το εργαλείο και να περιμένετε να σταματήσει να κινείται εντελώς η λάμα πριν τη βγάξετε από το τεμάχιο εργασίας.
11. Μην αγγίζετε το εργαλείο εφαρμογής ή το τεμάχιο εργασίας αμέσως μετά τη λειτουργία του εργαλείου. Μπορεί να είναι εξαιρετικά θερμά και να προκληθεί έγκαυμα στο δέρμα σας.
12. Μη θέτετε το εργαλείο σε λειτουργία χωρίς φόρτο, αν αυτό δεν είναι απαραίτητο.
13. Να χρησιμοποιείτε πάντοτε προσταπιδά κατά της σκόνης ή αναπνευστήρα που είναι κατάλληλος για το υλικό και την εφαρμογή σας.
14. Μερικά υλικά περιέχουν χημικά που μπορεί να είναι τοξικά. Προσέχετε ώστε να αποφεύγετε την εισπνοή σκόνης και την επαφή με το δέρμα. Ακολουθείτε τα δεδομένα ασφάλειας υλικού που παρέχονται από τον προμηθευτή.
15. Το εργαλείο αυτό δεν είναι αδιάβροχο, γι' αυτό μη χρησιμοποιείτε νερό στην επιφάνεια του τεμαχίου εργασίας.
16. Να αερίζετε το χώρο εργασίας επαρκώς όταν εκτελείτε εργασίες λείανσης.
17. Η χρήση του εργαλείου αυτού για τη λείανση ορισμένων προϊόντων, βαφών και ζύλων μπορεί να εκθέσει το χρήστη σε σκόνη που περιέχει επικίνδυνες ουσίες. Να χρησιμοποιείτε κατάλληλη αναπνευστική προστασία.
18. Πριν από τη χρήση, να βεβαιώνετε ότι δεν υπάρχουν ρωγμές ή σπασίματα στη βάση. Οι ρωγμές ή τα σπασίματα μπορεί να προκαλέσουν σοβαρό προσωπικό τραυματισμό.
19. Μη χρησιμοποιείτε εξαρτήματα που δεν έχουν σχεδιαστεί ειδικά για το εργαλείο και που δεν συνιστώνται ειδικά από τον κατασκευαστή του εργαλείου. Η χρήση ενός εξαρτήματος απλά και μόνο επειδή δύναται να προσαρμοστεί στο ηλεκτρικό εργαλείο, δεν διασφαλίζει την ασφαλή λειτουργία του.
20. Να φοράτε ατομικό εξοπλισμό προστασίας. Ανάλογα με την εφαρμογή, να χρησιμοποιείτε προσταπιδά προστασίας, προστατευτικά γυαλιά-προσωπίδες ή γυαλιά ασφάλειας. Όταν απαιτείται, να φοράτε προστατευτικά ακοής, γάντια και ποδιά συνεργείου ικανά να παρέχουν προστασία από τα εκτινασσόμενα μικρά θραύσματα του λειαντικού μέσου ή του τεμαχίου εργασίας. Τα προστατευτικά ματιών πρέπει να είναι ικανά να σταματήσουν τυχόν εκτινασσόμενα θραύσματα που δημιουργούνται κατά την εκτέλεση διαφόρων εργασιών. Η μάσκα σκόνης ή η αναπνευστική συσκευή πρέπει να είναι ικανές να φιλτράρουν τα σωματίδια που δημιουργούνται κατά την εκτέλεση των εργασιών σας. Η παρατεταμένη έκθεση σε θόρυβο υψηλής έντασης ενδέχεται να προκαλέσει απώλεια ακοής.
21. Φροντίστε ώστε οι παρευρισκόμενοι να βρίσκονται σε ασφαλή απόσταση από τη θέση εργασίας. Οποιοσδήποτε εισέρχεται στο χώρο εργασίας πρέπει να φορά εξοπλισμό ατομικής προστασίας. Θραύσματα του τεμαχίου εργασίας ή ενός εξαρτήματος που έχει υποστεί θραύση ενδέχεται να εκτιναχθούν και να προκαλέσουν τραυματισμό πέραν των ορίων του άμεσου χώρου εκτέλεσης εργασιών.
22. Μην αφήνετε το ηλεκτρικό καλώδιο κάτω, πριν σταματήσει πλήρως η περιστροφή του εξαρτήματος. Το περιστρεφόμενο εξάρτημα ενδέχεται να εμπλακεί στην επιφάνεια εργασίας και να τραβήξει το ηλεκτρικό εργαλείο εκτός ελέγχου.
23. Μην θέσετε το ηλεκτρικό εργαλείο σε λειτουργία, κατά τη μεταφορά του στο πλάι σας. Τυχόν επαφή με το εξάρτημα θα μπορούσε να προκαλέσει την εμπλοκή του στο ρουχισμό και επαφή με το σώμα σας.
24. Μην χειρίζεστε το ηλεκτρικό εργαλείο κοντά σε εύφλεκτα υλικά. Οι σπινθήρες ενδέχεται να προκαλέσουν ανάφλεξη αυτών των υλικών.
25. Μην χρησιμοποιείτε εξαρτήματα που απαιτούν υγρά ψυκτικά. Η χρήση νερού ή άλλων υγρών ψυκτικών ενδέχεται να καταλήξει σε ηλεκτροπληξία ή σοκ.
26. Να φροντίζετε πάντα για την απενεργοποίηση και αποσύνδεση του εργαλείου και την αφαίρεση της κασέτας μπαταρίας πριν από την εκτέλεση οποιασδήποτε εργασίας στο εργαλείο.
27. Να βεβαιώνετε πάντοτε ότι στέκεστε σταθερά. Όταν χρησιμοποιείτε το εργαλείο σε υψηλές τοποθεσίες, να βεβαιώνετε ότι δεν βρίσκεται κανένας από κάτω.

ΦΥΛΑΞΤΕ ΤΙΣ ΟΔΗΓΙΕΣ ΑΥΤΕΣ.

⚠️ ΠΡΟΕΙΔΟΠΟΙΗΣΗ:

ΜΗΝ επιτρέψετε το βαθμό άνεσης ή εξοικείωσης με το προϊόν (λόγω επανειλημμένης χρήσης) να αντικαταστήσει την αυστηρή τήρηση των κανόνων ασφαλείας του παρόντος εργαλείου. ΚΑΚΗ ΧΡΗΣΗ ή αμέλεια να ακολουθήσετε τους κανόνες ασφαλείας που διατυπώνονται σ'αυτό το εγχειρίδιο οδηγιών μπορεί να προκαλέσει σοβαρό προσωπικό τραυματισμό.

ENC007-7

ΣΗΜΑΝΤΙΚΕΣ ΟΔΗΓΙΕΣ ΑΣΦΑΛΕΙΑΣ

ΓΙΑ ΚΑΣΕΤΑ ΜΠΑΤΑΡΙΑΣ

1. Πριν χρησιμοποιήσετε την κασέτα μπαταρίας, διαβάστε όλες τις οδηγίες και σημειώσεις προφύλαξης (1) στον φορητό μπαταρίας, (2) στην μπαταρία και (3) στο προϊόν που χρησιμοποιεί την μπαταρία.
2. Μην αποσυναρμολογήσετε την κασέτα μπαταρίας.
3. Εάν ο χρόνος λειτουργίας έχει γίνει υπερβολικά βραχύς, σταματήστε την λειτουργία αμέσως. Αλλιώς, μπορεί να έχει ως αποτέλεσμα κίνδυνο υπερθέρμανσης, πιθανά εγκαύματα ή ακόμη και έκρηξη.
4. Εάν ηλεκτρολύτης μπει στα μάτια σας, ξεπλύνετε τα με καθαρό νερό και ζητήστε ιατρική φροντίδα αμέσως. Αλλιώς, μπορεί να έχει ως αποτέλεσμα απώλεια της όρασης σας.
5. Μη βραχυκυκλώνετε την κασέτα μπαταρίας:
 - (1) Μην αγγίζετε τους πόλους με οτιδήποτε αγώγιμο υλικό.
 - (2) Αποφεύγετε να αποθηκεύετε την κασέτα μπαταρίας μέσα σε ένα δοχείο μαζί με άλλα μεταλλικά αντικείμενα όπως καρφιά, νομίσματα, κλπ.

(3) Μην εκθέτε την κασέτα μπαταρίας στο νερό ή στη βροχή.

Ενα βραχυκύκλωμα μπαταρίας μπορεί να προκαλέσει μεγάλη ροή ρεύματος, υπερθέρμανση, πιθανά εγκαύματα ακόμη και σοβαρή βλάβη.

6. Μην αποθηκεύετε το εργαλείο και την κασέτα μπαταρίας σε τοποθεσίες όπου η θερμοκρασία μπορεί να φτάσει ή να ξεπεράσει τους 50°C.
7. Μη καίτε την κασέτα μπαταρίας ακόμη και εάν έχει σοβαρή ζημιά ή είναι εντελώς φθαρμένη. Η κασέτα μπαταρίας μπορεί να εκραγεί στην φωτιά.
8. Προσέχετε να μη ρίξετε κάτω ή χτυπήσετε την μπαταρία.
9. Μην χρησιμοποιείτε μπαταρία που έχει υποστεί ζημιά.

ΦΥΛΑΞΤΕ ΤΙΣ ΟΔΗΓΙΕΣ ΑΥΤΕΣ.

Συμβουλές για διατήρηση μέγιστης ζωής μπαταρίας

1. Φορτίζετε την κασέτα μπαταρίας πριν από την πλήρη αποφόρτιση της. Πάντοτε σταματάτε την λειτουργία του εργαλείου και φορτίζετε την κασέτα μπαταρίας όταν παρατηρείτε μειωμένη ισχύ εργαλείου.
2. Ποτέ μην επαναφορτίζετε μιά πλήρως φορτισμένη κασέτα μπαταρίας. Υπερφόρτιση μειώνει την ωφέλιμη ζωή της μπαταρίας.
3. Φορτίζετε την κασέτα μπαταρίας σε θερμοκρασία δωματίου 10°C – 40°C. Αφήστε μιά θερμή κασέτα μπαταρίας να κρυώσει πριν την φορτίσετε.
4. Φορτίστε την κασέτα μπαταρίας μιά φορά κάθε έξι μήνες εάν δεν τη χρησιμοποιείτε για μεγάλη χρονική περίοδο.

ΠΕΡΙΓΡΑΦΗ ΛΕΙΤΟΥΡΓΙΑΣ

⚠ ΠΡΟΕΙΔΟΠΟΙΗΣΗ:

- Πάντοτε βεβαιώνεστε ότι το εργαλείο είναι σβηστό και η κασέτα μπαταρίας έχει αφαιρεθεί πριν ρυθμίσετε ή ελέγξετε κάποια λειτουργία στο εργαλείο. Αν δεν σβήσετε το μηχάνημα και δεν βγάλετε την κασέτα μπαταρίας, μπορεί να προκληθεί σοβαρός προσωπικός τραυματισμός από την τυχαία εκκίνηση.

Τοποθέτηση ή αφαίρεση της κασέτας μπαταρίας (Εικ. 1)

⚠ ΠΡΟΣΟΧΗ:

- Πάντοτε να σβήνετε το εργαλείο πριν τοποθετήσετε ή αφαιρέσετε την κασέτα μπαταρίας.
- Κρατήστε το εργαλείο και την κασέτα μπαταρίας σταθερά κατά την τοποθέτηση ή αφαίρεση της κασέτας μπαταρίας. Αν δεν κρατάτε το εργαλείο και την κασέτα μπαταρίας σταθερά, μπορεί γλιστρήσουν από τα χέρια σας και να προκληθεί βλάβη στο εργαλείο και την κασέτα μπαταρίας και προσωπικός τραυματισμός.

Για να αφαιρέσετε την κασέτα μπαταρίας, ολισθήστε την από το εργαλείο ενώ σύρετε το κουμπί στο μπροστινό μέρος της κασέτας.

Για να τοποθετήσετε την κασέτα μπαταρίας, ευθυγραμμίστε τη γλώσσα στην κασέτα μπαταρίας με την αύλακα στην υποδοχή και ολισθήστε τη στη θέση της. Να την τοποθετείτε πλήρως μέχρι να ασφαλίσει στη θέση της, γεγονός που υποδεικνύεται με ένα χαρακτηριστικό ήχο. Αν μπορείτε να δείτε την κόκκινη ένδειξη στην επάνω πλευρά του κουμπιού, δεν έχει κλειδώσει τελείως.

⚠ ΠΡΟΣΟΧΗ:

- Να τοποθετείτε πάντα την κασέτα μπαταρίας πλήρως μέχρι να μην βλέπετε την κόκκινη ένδειξη. Σε αντίθετη περίπτωση, μπορεί να πέσει κατά λάθος από το εργαλείο και να τραυματίσει εσάς ή κάποιον παρευρισκόμενο.
- Μην τοποθετείτε την κασέτα μπαταρίας με βία. Αν η κασέτα δεν εισέρχεται με ευκολία, δεν είναι τοποθετημένη σωστά.

Σύστημα προστασίας μπαταρίας (μπαταρία ιόντων λιθίου με ένδειξη αστεριού) (Εικ. 2)

Οι μπαταρίες ιόντων λιθίου με ένδειξη αστεριού είναι εξοπλισμένες με σύστημα προστασίας. Αυτό το σύστημα αποκόπτει αυτόματα την ισχύ προς το εργαλείο για να παραταθεί η διάρκεια λειτουργίας της.

Το εργαλείο σταματάει αυτόματα κατά τη διάρκεια της λειτουργίας αν το εργαλείο ή/και η μπαταρία βρεθούν κάτω από τις παρακάτω συνθήκες:

- Υπερφόρτιση:

Το εργαλείο λειτουργεί με τρόπο ώστε να αναγκάζεται να καταναλώνει ασυνήθιστα υψηλό ρεύμα.

Σε αυτή την κατάσταση, σύρετε τον κυλιόμενο διακόπτη στο εργαλείο προς τη θέση "Ο (ANENERGO)" και διακόψτε την εφαρμογή που προκαλεί την υπερφόρτιση του εργαλείου. Μετά, σύρετε τον κυλιόμενο διακόπτη προς τη θέση "Ι (ENERGO)" για επανεκκίνηση.

Αν το εργαλείο δεν ξεκινάει, η μπαταρία έχει υπερθερμανθεί. Σε αυτή την κατάσταση, αφήστε την μπαταρία να ψυχθεί πριν σύρετε τον κυλιόμενο διακόπτη ξανά προς τη θέση "Ι (ENERGO)".

- Χαμηλή τάση μπαταρίας:

Η υπολοιπή χωρητικότητα μπαταρίας είναι πολύ χαμηλή και το εργαλείο δεν λειτουργεί. Σε αυτή την κατάσταση, αφαιρέστε και επαναφορτίστε την μπαταρία.

Λειτουργία διακόπτη (Εικ. 3)

⚠ ΠΡΟΣΟΧΗ:

- Πριν τοποθετήσετε την κασέτα μπαταρίας στο εργαλείο, να ελέγχετε πάντα αν το εργαλείο είναι σβηστό.

Για να ξεκινήσετε τη λειτουργία του εργαλείου, ολισθήστε τον κυλιόμενο διακόπτη στη θέση "Ι (ENERGO)".

Για να σταματήσετε το εργαλείο, σύρετε τον κυλιόμενο διακόπτη προς τη θέση "Ο (ANENERGO)".

Ρύθμιση του ρυθμού τροχιακής διαδρομής (Εικ. 4)

Είναι δυνατό να ρυθμίσετε το ρυθμό τροχιακής διαδρομής. Για να αλλάξετε το ρυθμό τροχιακής διαδρομής, περιστρέψτε το καντράν μεταξύ 1 και 6. Όσο υψηλότερος είναι ο αριθμός, τόσο υψηλότερος είναι ο ρυθμός τροχιακής διαδρομής. Προρυθμίστε το καντράν στον αριθμό που είναι κατάλληλος για το τεμάχιο εργασίας σας.

ΠΑΡΑΤΗΡΗΣΗ:

- Δεν είναι δυνατό να περιστρέψετε το καντράν απευθείας από το 1 στο 6 ή από το 6 στο 1. Αν περιστρέψετε το καντράν με βία, μπορεί να προκληθεί ζημιά στο εργαλείο. Όταν αλλάζετε την κατεύθυνση του καντράν, να περιστρέφετε πάντα το καντράν μετακινώντας το σε κάθε ενδιάμεσο αριθμό.

Αναμνη της μπροστινής λάμπας (Εικ. 5)

⚠️ ΠΡΟΕΙΔΟΠΟΙΗΣΗ:

- Μην κοιτάζετε κατευθείαν στο φως. Το άμεσο φως προκαλεί βλάβη στα μάτια σας.

Σύρτε τον κυλιόμενο διακόπτη προς τη θέση "I (ENERGO)" για να ανάψετε την μπροστινή λυχνία. Η λυχνία συνεχίζει να είναι αναμμένη ενώ ο διακόπτης βρίσκεται στη θέση "I (ENERGO)". Το φως σβήνει αυτόματα αφού πατήσετε το πίσω μέρος του κυλιόμενου διακόπτη και μετά σύρτε τον κυλιόμενο διακόπτη προς τη θέση "O (ANENERGO)".

Προστασία υπερφόρτωσης

Όταν το εργαλείο υπερθερμανθεί και η θερμοκρασία του φτάσει ένα ορισμένο επίπεδο, η μπροστινή λυχνία αναβοσβήνει και σταματάει η λειτουργία του εργαλείου αυτόματα. Διορθώστε την αιτία της υπερφόρτωσης για να το ξεκινήσετε ξανά.

Ενδεικτική λυχνία (Εικ. 6)

- Όταν το υπολειπόμενο φορτίο της μπαταρίας είναι χαμηλό, η ενδεικτική λυχνία αναβοσβήνει.
- Όταν το υπολειπόμενο φορτίο της μπαταρίας γίνει αρκετά πιο χαμηλό, το εργαλείο σταματάει κατά τη διάρκεια της λειτουργίας και η ενδεικτική λυχνία ανάβει για περίπου 10 δευτερόλεπτα.

Σε αυτή τη φάση, βγάλτε την κασέτα μπαταρίας από το εργαλείο και φορτίστε την.

ΣΥΝΑΡΜΟΛΟΓΗΣΗ

⚠️ ΠΡΟΣΟΧΗ:

- Πάντοτε βεβαιώνετε ότι το εργαλείο είναι σβηστό και η κασέτα μπαταρίας έχει αφαιρεθεί πριν εκτελέσετε κάποια εργασία στο εργαλείο.

Τοποθέτηση ή αφαίρεση του εργαλείου εφαρμογής (προαιρετικό εξάρτημα) (Εικ. 7, 8 και 9)

⚠️ ΠΡΟΕΙΔΟΠΟΙΗΣΗ:

- Μην τοποθετείτε το εργαλείο εφαρμογής ανάποδα. Αν τοποθετήσετε το εργαλείο εφαρμογής ανάποδα, μπορεί να προκληθεί ζημιά στο εργαλείο και να προκληθεί σοβαρός προσωπικός τραυματισμός.
- Τοποθετήστε το εργαλείο προσαρτήματος στη σωστή κατεύθυνση, ανάλογα με την εργασία σας. Μπορείτε να τοποθετήσετε το εργαλείο εφαρμογής σε γωνία σε κάθε 30 μοίρες.

Τοποθετήστε ένα εργαλείο εφαρμογής (προαιρετικό εξάρτημα) στη φλάντζα εργαλείου ώστε οι προεξοχές στη φλάντζα εργαλείου να ταιριάζουν στις οπές στο εργαλείο εφαρμογής και ασφαλίστε το εργαλείο εφαρμογής σφίγγοντας το μπουλόνι σταθερά με το εξαγωνικό κλειδί. Όταν χρησιμοποιείτε το εργαλείο εφαρμογής λείανσης, προσαρτήστε το εργαλείο εφαρμογής στη βάση λείανσης ώστε να ταιριάζει με την κατεύθυνση της βάσης λείανσης. Η βάση λείανσης έχει σύστημα προσάρτησης τύπου άγκιστρου και βρόχου, το οποίο επιτρέπει την εύκολη και ταχεία προσάρτηση ενός γυαλόχαρτου.

Επειδή τα γυαλόχαρτα έχουν οπές για την εξαγωγή της σκόνης, τοποθετήστε ένα γυαλόχαρτο ώστε οι οπές στο γυαλόχαρτο να ταιριάζουν με αυτές στη βάση λείανσης.

Για να αφαιρέσετε το γυαλόχαρτο, σηκώστε το άκρο του και αφαιρέστε το. Χαλαρώστε και αφαιρέστε το μπουλόνι τοποθέτησης εργαλείου εφαρμογής χρησιμοποιώντας εξαγωνικό κλειδί και μετά βγάλτε το εργαλείο εφαρμογής.

Όταν χρησιμοποιείτε εργαλεία εφαρμογής με διαφορετικό τύπο τμήματος εγκατάστασης, χρησιμοποιήστε σωστό προσαρμογέα (προαιρετικό αξεσουάρ).

Αποθήκευση εξαγωνικού κλειδιού (Εικ. 10)

Όταν δεν χρησιμοποιείται, αποθηκεύστε το εξαγωνικό κλειδί όπως απεικονίζεται στην εικόνα, για να μην το χάσετε.

ΛΕΙΤΟΥΡΓΙΑ

⚠️ ΠΡΟΕΙΔΟΠΟΙΗΣΗ:

- Πριν ξεκινήσετε το εργαλείο και κατά τη διάρκεια της λειτουργίας, κρατήστε τα χέρια και το πρόσωπό σας μακριά από το εργαλείο εφαρμογής.
- Μην εφαρμόζετε υπερβολικό φορτίο στο εργαλείο, γεγονός που μπορεί να προκαλέσει το κλειδώμα του μοτέρ και τη διακοπή του εργαλείου.

Κοπή, πρίονισμα και ζύσιμο (Εικ. 11)

Τοποθετήστε το εργαλείο εφαρμογής στο τεμάχιο εργασίας.

Μετά, μετακινήστε το εργαλείο προς τα μπροστά ώστε η κίνηση του εργαλείου εφαρμογής να μην επιβραδύνεται.

ΠΑΡΑΤΗΡΗΣΗ:

- Η βία ή υπερβολική πίεση στο εργαλείο μπορεί να μειώσει την αποδοτικότητα του.
- Πριν την εργασία κοπής, συνιστάται να προκαθορίσετε το ρυθμό τροχιακής διαδρομής σε 4 – 6.

Λείανση (Εικ. 12)

⚠️ ΠΡΟΕΙΔΟΠΟΙΗΣΗ:

- Μην επαναχρησιμοποιείτε για τη λείανση ξύλου κάποιο γυαλόχαρτο που έχετε χρησιμοποιήσει για τη λείανση μετάλλου.
- Μην χρησιμοποιείτε φθαρμένο γυαλόχαρτο ή γυαλόχαρτο χωρίς κόκκους.

Εφαρμόστε το γυαλόχαρτο στο τεμάχιο εργασίας.

ΠΑΡΑΤΗΡΗΣΗ:

- Συνιστάται η χρήση ενός δείγματος δοκιμαστικού υλικού για να καθοριστεί ένας σωστός ρυθμός τροχιακής διαδρομής που είναι κατάλληλος για την εργασία σας.
- Χρησιμοποιήστε γυαλόχαρτο με τον ίδιο κόκκους μέχρι να ολοκληρωθεί η λείανση ολόκληρου του τεμαχίου εργασίας. Αν αντικαταστήσετε ένα γυαλόχαρτο με γυαλόχαρτο διαφορετικού κόκκου, μπορεί να μην έχετε ομοιόμορφο τελείωμα.

Προσάρτημα εξαγωγής σκόνης (προαιρετικό εξάρτημα) (Εικ. 13 και 14)

- Τοποθετήστε τα ακροφύσια σκόνης και το προσάρτημα σκόνης.
- Τοποθετήστε τη ζώνη ακροφυσίου στο εργαλείο ώστε οι προεξοχές να ταιριάζουν στις οπές στο εργαλείο, για να το ασφαλίσετε.
- Τοποθετήστε το δακτύλιο τσόχας και τη βάση λείανσης στο προσάρτημα σκόνης και μετά ασφαλίστε τα με το μπουλόνι τοποθέτησης εργαλείου εφαρμογής.

Όταν θέλετε να εκτελέσετε καθαρότερες εργασίες, συνδέστε ηλεκτρική σκούπα στο εργαλείο σας. Συνδέστε τον εύκαμπτο σωλήνα της ηλεκτρικής σκούπας με το προσάρτημα εξαγωγής σκόνης (προαιρετικό εξάρτημα).

ΣΥΝΤΗΡΗΣΗ

ΠΡΟΣΟΧΗ:

- Πάντα να βεβαιώνετε ότι το εργαλείο είναι σβηστό και έχετε βγάλει την η κασέτα μπαταρίας πριν την εκτέλεση εργασιών επιθεώρησης ή συντήρησης εκτός από την εξής περίπτωση αντιμετώπισης προβλήματος που σχετίζεται με το φως.
- Μην χρησιμοποιείτε ποτέ βενζίνη, πετρελαϊκό αιθέρα, διαλυτικό, αλκοόλη ή παρόμοιες ουσίες. Ενδέχεται να προκληθεί αποχρωματισμός παραμόρφωση ή ρωγμές.

Για να διατηρήσετε την ΑΣΦΑΛΕΙΑ και ΑΞΙΟΠΙΣΤΙΑ του προϊόντος, επισκευές, έλεγχος και αντικατάσταση των ψηκτρών άνθρακα, καθώς και οποιαδήποτε άλλη συντήρηση ή ρύθμιση πρέπει να εκτελούνται από Κέντρα Εξυπηρέτησης Εργοστασίου ή από Εξουσιοδοτημένα από την Makita Κέντρα, πάντοτε χρησιμοποιώντας ανταλλακτικά της Makita.

ΠΡΟΑΙΡΕΤΙΚΑ ΕΞΑΡΤΗΜΑΤΑ

ΠΡΟΣΟΧΗ:

- Αυτά τα ανταλλακτικά ή προσαρτήματα συνιστώνται για χρήση με το εργαλείο σας της Makita που περιγράφεται στο εγχειρίδιο αυτό. Η χρήση οτιδήποτε άλλων ανταλλακτικών ή προσαρτημάτων μπορεί να παρουσιάσουν κίνδυνο τραυματισμού σε άτομα. Χρησιμοποιήστε ανταλλακτικά ή προσαρτήματα μόνο για τον καθορισμένο σκοπό.

Εάν χρειάζεστε βοήθεια ή περισσότερες λεπτομέρειες σε σχέση με αυτά τα ανταλλακτικά, ρωτήστε το τοπικό σας Κέντρο Εξυπηρέτησης της Makita.

- Τμηματική λάμα πριονιού
- Στρογγυλή λάμα πριονιού
- Λάμα πριονιού βαθιάς κοπής
- Ξύστρα (άκαμπτη)
- Ξύστρα (εύκαμπτη)
- Οδοντωτή λάμα
- Γενικός κόπτης ενώσεων
- Αφαιρετής ΗΜ
- Λάμα πριονιού ΗΜ
- Πλάκα λείανσης ΗΜ
- Διαμαντένια λάμα πριονιού
- Βάση λείανσης
- Προσαρμογέας
- Δέλτα λειαντικού χαρτιού (κόκκινο / λευκό / μαύρο)
- Δέλτα φλις (μεσαίων κόκκων / χονδρόκοκκο / χωρίς κόκκους)
- Δέλτα λειαντικής τσόχας
- Εξαγωνικό κλειδί
- Προσάρτημα εξαγωγής σκόνης
- Γνήσια μπαταρία και φορτιστής της Makita

ΠΑΡΑΤΗΡΗΣΗ:

- Μερικά στοιχεία στη λίστα μπορεί να συμπεριλαμβάνονται στη συσκευασία εργαλείου ως στάνταρ εξαρτήματα. Μπορεί να διαφέρουν ανάλογα με τη χώρα.

ENG905-1

Θόρυβος

Το τυπικό Α επίπεδο μετρημένου θορύβου καθορίζεται σύμφωνα με το EN60745:

Είδος εργασίας: λείανση

Στάθμη πίεσης ήχου (L_{pA}): 78 dB (A)

Αβεβαιότητα (K): 3 dB (A)

Η ένταση ήχου υπο συνθήκες εργασίας μπορεί να υπερβεί τα 80 dB (A).

Είδος εργασίας: κοπή με λάμα πριονιού βαθιάς κοπής

Μοντέλο BTM40

Στάθμη πίεσης ήχου (L_{pA}): 82 dB (A)

Στάθμη δύναμης ήχου (L_{WA}): 93 dB (A)

Αβεβαιότητα (K): 3 dB (A)

Μοντέλο BTM50

Στάθμη πίεσης ήχου (L_{pA}): 84 dB (A)

Στάθμη δύναμης ήχου (L_{WA}): 95 dB (A)

Αβεβαιότητα (K): 3 dB (A)

Είδος εργασίας: κοπή με τμηματική λάμα πριονιού

Στάθμη πίεσης ήχου (L_{pA}): 81 dB (A)

Στάθμη δύναμης ήχου (L_{WA}): 92 dB (A)

Αβεβαιότητα (K): 3 dB (A)

Είδος εργασίας: ξύσιμο

Μοντέλο BTM40

Στάθμη πίεσης ήχου (L_{pA}): 81 dB (A)

Στάθμη δύναμης ήχου (L_{WA}): 92 dB (A)

Αβεβαιότητα (K): 3 dB (A)

Μοντέλο BTM50

Στάθμη πίεσης ήχου (L_{pA}): 83 dB (A)

Στάθμη δύναμης ήχου (L_{WA}): 94 dB (A)

Αβεβαιότητα (K): 3 dB (A)

Φοράτε ωτοασπίδες

ENG900-1

Κραδασμός

Η ολική τιμή δόνησης (άθροισμα τρι-αξονικού διανύσματος) καθορίζεται σύμφωνα με το EN60745:

Είδος εργασίας: λείανση

Εκπομπή δόνησης (a_{h1}): 2,5 m/s² ή λιγότερο

Αβεβαιότητα (K): 1,5 m/s²

Είδος εργασίας: κοπή με λάμα πριονιού βαθιάς κοπής

Μοντέλο BTM40

Εκπομπή δόνησης (a_{h1}): 9,5 m/s²

Αβεβαιότητα (K): 1,5 m/s²

Μοντέλο BTM50

Εκπομπή δόνησης (a_{h1}): 10,0 m/s²

Αβεβαιότητα (K): 1,5 m/s²

Είδος εργασίας: κοπή με τμηματική λάμα πριονιού

Μοντέλο BTM40

Εκπομπή δόνησης (a_{h1}): 5,0 m/s²

Αβεβαιότητα (K): 1,5 m/s²

Μοντέλο BTM50

Εκπομπή δόνησης (a_{h1}): 5,5 m/s²

Αβεβαιότητα (K): 1,5 m/s²

Μοντέλο BTM40

Εκπομπή δόνησης (a_{H}): 7,5 m/s²

Αβεβαιότητα (K): 1,5 m/s²

Μοντέλο BTM50

Εκπομπή δόνησης (a_{H}): 9,5 m/s²

Αβεβαιότητα (K): 1,5 m/s²

ENG901-1

- Η δηλωμένη τιμή εκπομπής κραδασμών έχει μετρηθεί σύμφωνα με την πρότυπη μέθοδο δοκιμής και μπορεί να χρησιμοποιηθεί για τη σύγκριση ενός εργαλείου με άλλο.
- Η δηλωμένη τιμή εκπομπής κραδασμών μπορεί να χρησιμοποιηθεί και στην προκαταρκτική αξιολόγηση έκθεσης.

⚠ ΠΡΟΕΙΔΟΠΟΙΗΣΗ:

- Η εκπομπή κραδασμών κατά τη χρήση του ηλεκτρικού εργαλείου σε πραγματικές συνθήκες μπορεί να διαφέρει από τη δηλωμένη τιμή εκπομπής ανάλογα με τον τρόπο χρήσης του εργαλείου.
- Φροντίστε να λάβετε τα κατάλληλα μέτρα προστασίας του χειριστή βάσει υπολογισμού της έκθεσης σε πραγματικές συνθήκες χρήσης (λαμβάνοντας υπόψη όλες τις συνιστώσες του κύκλου λειτουργίας όπως τους χρόνους που το εργαλείο είναι εκτός λειτουργίας και όταν βρίσκεται σε αδρανή λειτουργία πέραν του χρόνου ενεργοποίησης).

Μόνο για χώρες της Ευρώπης

Δήλωση Συμμόρφωσης ΕΚ

Η Makita Corporation, ως ο υπεύθυνος κατασκευαστής, δηλώνει ότι το/τα ακόλουθο(α) μηχάνημα(τα) της Makita:

Χαρακτηρισμός μηχανήματος:

Φορητό πολυεργαλείο

Αρ. μοντέλου/ Τύπος: BTM40, BTM50

είναι εν σειρά παραγωγή και

συμμορφώνονται με τις ακόλουθες Ευρωπαϊκές Οδηγίες:

2006/42/EK

και κατασκευάζονται σύμφωνα με τα ακόλουθα πρότυπα ή έγγραφα τυποποίησης:

EN60745

Η τεχνική τεκμηρίωση φυλάσσεται από τον εξουσιοδοτημένο εκπρόσωπό μας στην Ευρώπη, δηλαδή τη:

Makita International Europe Ltd.

Michigan Drive, Tongwell,

Milton Keynes, Bucks MK15 8JD, England (Αγγλία)

20.10.2011



Tomoyasu Kato

Διευθυντής

Makita Corporation

3-11-8, Sumiyoshi-cho,

Anjo, Aichi, 446-8502, JAPAN

Genel görünüşün açıklanması

1 Düşme	9 Uygulama aleti montaj civatası	16 Toz toplama başlığı
2 Kırmızı gösterge	10 Uygulama aletindeki delikler	17 Toz haznesi bağlantısı
3 Batarya kartuşu	11 Alet flanşının çıkıntıları	18 Keçe halka
4 Yıldız işareti	12 Altıgen anahtar	19 Ped
5 Sürgülü anahtar	13 Sıkıştır	20 Aletteki delikler
6 Kadran	14 Adaptör (bazı uygulama aletleri için gerekli)	21 Toz toplama başlığı kelepçesinin çıkıntıları
7 Ön lamba		
8 Gösterge lambası	15 Toz toplama başlığı kelepçesi	

ÖZELLİKLER

Model		BTM40	BTM50
Dakikadaki salınım sayısı		6.000 – 20.000 (dak ⁻¹)	
Salınım açısı, sol/sağ		1,6° (3,2° toplam)	
Toplam uzunluk		324 mm	
Net ağırlık	toz çekme ek parçası olmadan	1,9 kg	2,0 kg
	toz çekme ek parçası ile	2,0 kg	2,1 kg
Anma voltajı		D.C. 14,4 V	D.C. 18 V

GEB094-2

- Sürekli yapılan araştırma ve geliştirmelerden dolayı, burada belirtilen özellikler önceden bildirilmeksizin değiştirilebilir.
- Özellikler ve batarya kartuşu ülkeden ülkeye değişebilir.
- EPTA-Prosedürü 01/2003 uyarınca, batarya kartuşu dahil, ağırlık

ENE080-1

Kullanım amacı

Bu alet tahta, plastik, alçı, içinde demir olmayan metaller ve bağlantı elemanlarını (örn. sertleştirilmemiş çivi ve zimbalar) testerelemek ve kesmek için tasarlanmıştır. Ayrıca yumuşak duvar seramikleri ile çalışmak ve küçük yüzeylerin kuru zımparalanması ve raspanması işlerinde kullanılmak için de kullanılır. Özellikle kenarlara yakın çalışırken ve flush-kesimler için uygundur.

GEA010-1

Genel elektrikli alet Güvenliği

⚠ UYARI! Tüm güvenlik uyarılarını ve tüm talimatları okuyun. Uyarılara ve talimatlara uyulmaması elektrik şoku, yangın ve/veya ciddi yaralanmalar ile sonuçlanabilir.

Tüm uyarıları ve talimatları ileride başvurmak için saklayın.

AKÜLÜ ÇOK FONKSİYONLU ALET İÇİN GÜVENLİK UYARILARI

- Bu alet; testereleme, kesme, taşlama ve zımparalama için kullanılır. Bu elektrikli aletle birlikte sunulan tüm güvenlik uyarılarını, çizimleri ve teknik özellikleri okuyun.** Aşağıda verilen talimatlara uyulmaması elektrik şoku, yangın ve/veya ciddi yaralanmalar ile sonuçlanabilir.
- Kesici aksesuarın görünmeyen kablolarla temas etme olasılığı bulunan yerlerde çalışırken elektrikli aleti yalıtımlı kavrama yüzeylerinden tutun.** Kesici aksesuarın "akımlı" bir telle temas etmesi elektrikli aletin yalıtımsız metal kısımlarını "akımlı" hale getirebilir ve kullanıcıyı elektrik şokuna maruz bırakabilir.
- İş parçasını düz bir platform üzerine sabitlemek için klemp kullanın ya da başka bir pratik yol bulun.** İş parçasını elle tutmak ya da vücudunuzla desteklemek sabit durmamasına ve kontrolü kaybetmenize neden olabilir.
- Her zaman koruyucu gözlük kullanın. Normal gözlük ya da güneş gözlükleri koruyucu gözlüklerin yerine GEÇMEZ.**
- Çivileri kesmeyin. İşlemden önce iş parçasının üzerinde çivi olup olmadığını kontrol edin ve varsa hepsini çıkarın.**
- Makineyi sıkıca tutun.**
- Anahtar açılmadan önce uygulama aletinin iş parçasına temas etmediğinden emin olun.** Ellerinizi hareketli parçalardan uzak tutun.
- Makineyi çalışır durumda bırakmayın. Makineyi sadece elinizde iken çalıştırın.**
- Bıçağı iş parçasından çıkarmadan önce daima anahtarı kapatın ve bıçağın tamamen durmasını bekleyin.**
- Uygulama aletine veya iş parçasına işlem den hemen sonra ellemeyin; bunlar çok sıcak olup cildinizi yakabilir.**

12. Aleti gereksiz yere yüksüz çalıştırmayın.
13. Çalıştığınız malzemeye ve uygulamaya uygun toz maskesi/respiratör kullanın.
14. Bazı malzemeler zehirli olabilen kimyasallar içerirler. Toz yutmayı ve cilt temasını önlemek için tedbir alın. Malzeme sağlayıcısının güvenlik bilgilerine uyun.
15. Bu alet su geçirmez değildir, çalışma parçasının yüzeyinde su kullanmayın.
16. Zımparalama işlemi sırasında çalışma alanının yeterince havalandırılmasını sağlayın.
17. Bu aletin bazı ürünleri, boyaları ve tahtaları zımparalamak için kullanılması, kullanıcının tehlikeli maddeler içeren tozlara maruz kalmasına neden olabilir. Uygun bir maske kullanın.
18. Kullanmadan önce ped üzerinde çatlak ya da kırık olmadığından emin olun. Çatlak ya da kırıklar yaralanmaya neden olabilir.
19. Aletin üreticisi tarafından tasarlanmamış ya da tavsiye edilmemiş aksesuarları kullanmayın. Aksesuarın aletinize takılabiliyor olması güvenli kullanımın sağlanması için tek başına yeterli değildir.
20. Kişisel koruyucu donanım kullanın. Uygulamaya göre, yüz siperi veya koruyucu gözlük takın. Uygun durumlarda; kulak koruyucu, eldiven ve küçük aşındırıcı parçalar ile iş parçasının parçacıklarını engelleyebilecek nitelikte önlük giyin. Koruma gözlüğü, çeşitli işlemler sırasında sıçrayan parçacıkları engelleyebilecek nitelikte olmalıdır. Toz maskesi veya respiratör, işlem sırasında oluşan parçacıkları filtre edebilecek nitelikte olmalıdır. Uzun süre yüksek şiddetli gürültüye maruz kalmak işitme kaybına neden olabilir.
21. Etrafınızdaki kişilerin iş sahasından güvenli bir uzaklıkta durmasını sağlayın. İş sahasına giren herkes kişisel koruyucu ekipmanlar giymelidir. İş parçasının veya kırık bir aksesuarın parçaları sıçrayabilir ve iş sahasının yakınındaki kişileri yaralayabilir.
22. Aksesuar tamamen durmadan elektrikli aleti asla yere bırakmayın. Dönen aksesuar yüzeye takılarak aletin kontrolünüzden çıkmasına neden olabilir.
23. Elektrikli aleti yanınızda taşırken çalıştırmayın. Aksesuara istem dışı temas edilmesi sonucu kıyafetiniz takılarak vücudunuzu aksesuara doğru çekebilir.
24. Elektrikli aleti alev alabilecek malzemelerin yakınında kullanmayın. Kıvılcımlar bu malzemeleri ateşleyebilir.
25. Sıvı soğutucu gerektiren aksesuarları kullanmayın. Su veya başka sıvı soğutucular kullanılması elektrik çarpmasına veya şoka neden olabilir.
26. Alet üzerinde herhangi bir işlem yapmadan önce aletin kapalı, fişinin çekilmiş ve batarya kartuşunun çıkarılmış olduğundan daima emin olun.
27. Her zaman yere sağlam basın. Makineyi yüksekte kullandığınızda, altında kimsenin olmadığından emin olun.

BU TALİMATLARI SAKLAYIN.



UYARI:

Ürünü kullanırken (defalarca kullanınca kazanılan) rahatlık ve tanıdıklık duygusunun ilgili ürünün güvenlik kurallarına sıkı sıkıya bağlı kalmanın yerine geçmesine İZİN VERMEYİN. YANLIŞ KULLANIM veya bu kullanma kılavuzunda belirtilen emniyet kurallarına uymama ciddi yaralanmaya neden olabilir.

ENC007-7

ÖNEMLİ GÜVENLİK TALİMATLARI

BATARYA KARTUŞU HAKKINDA

1. Batarya kartuşunu kullanmadan önce, tüm talimatları ve (1) batarya şarj aleti, (2) batarya ve (3) bataryası kullanılan alet üstündeki tüm uyarıları okuyun.
2. Batarya kartuşunu sökmeyin.
3. Kullanım süresi çok kısalsa, kullanmayı derhal kesin. Bu aşırı ısınma, olası yanıklar ve hatta bir patlama riski sonucunu doğurabilir.
4. Eğer gözünüze elektrolit kaçarsa, temiz suyla yıkayın ve derhal tıbbi bakıma arayın. Bunun sonucunda görme yeteneğinizi kaybedebilirsiniz.
5. Batarya kartuşunu kısa devre yaptırmayın:
 - (1) Terminallere herhangi bir iletken madde değdirmeyin.
 - (2) Batarya kartuşunu çiviler, madeni paralar, vb. gibi başka metal nesnelere aynı kaba koymaktan kaçının.
 - (3) Batarya kartuşunu yağmura ya da suya maruz bırakmayın.
 Bataryada bir kısa devre büyük bir elektrik akımına, aşırı ısınmaya, olası yanıklara ve hatta bir bozulmaya neden olabilir.
6. Aleti ve batarya kartuşunu sıcaklığın 50°C ya da daha yükseğe ulaştığı yerlerde muhafaza etmeyin.
7. Batarya kartuşunu ciddi hasar görmüş ya da tamamen kullanılmaz hale gelmiş suya bile ateşe atmayın. Batarya kartuşu ateşin içinde patlayabilir.
8. Bataryası düşürmemeye ya da darbe almamasına dikkat edin.
9. Zarar gören bataryası kullanmayın.

BU TALİMATLARI SAKLAYIN.

Maksimum batarya ömrünü koruma için tavsiyeler

1. Batarya kartuşunu tamamen boşalmadan şarj edin.
Aletin gücünün zayıfladığını fark ettiğiniz zaman daima kullanmayı durdurarak batarya kartuşunu şarj edin.
2. Tam şarjlı bir batarya kartuşunu asla tekrar şarj etmeyin.
Fazla şarj etme bataryanın kullanım ömrünü kısaltır.
3. Batarya kartuşunu 10°C – 40°C oda sıcaklığında şarj edin. Sıcak bir batarya kartuşunu şarj etmeden önce soğumasını bekleyin.
4. Uzun bir süre kullanmadığınız durumlarda batarya kartuşunu altı ayda bir şarj edin.

İŞLEVSEL AÇIKLAMALAR

⚠ UYARI:

- Alet üzerinde ayarlama veya işleyiş kontrolü yapmadan önce aletin kapalı ve batarya kartuşunun ayrılmış olduğundan daima emin olun. Aletin kapatılmaması ve batarya kartuşunun çıkarılmaması istemsiz olarak aletin başlatılması sonucu ciddi kişisel yaralanmalara neden olabilir.

Batarya kartuşunun takılması ve çıkarılması (Şek. 1)

⚠ DİKKAT:

- Batarya kartuşunu takmadan ya da çıkarmadan önce aleti daima kapatın.
- Batarya dönüştürücüyü takarken veya çıkarırken aleti ve batarya dönüştürücüyü sıkıca tutun. Aletin ve batarya dönüştürücünün sıkıca tutulmaması bunların düşürülmesine ve zarar görmesine ya da ciddi yaralanmalara sebep olabilir.

Batarya kartuşunu çıkarmak için, kartuşun ön tarafındaki düğmeyi kaydırarak kartuşu aletten çıkarın.

Batarya kartuşunu takmak için, batarya kartuşu üzerindeki dili yuvanın çentiği ile hizalayın ve yerine oturtun. Hafif bir tık sesi duyulana kadar itip yerine tam oturmasını sağlayın. Düğmenin üst tarafındaki kırmızı gösterge görünüyorsa tam yerine kilitlenmemiş demektir.

⚠ DİKKAT:

- Batarya kartuşunu daima kırmızı gösterge görünmeyecek şekilde tam olarak takın. Yerine tam oturmazsa, aletten yanlışlıkla düşebilir, sizin ya da çevrenizdeki kişilerin yaralanmasına neden olabilir.
- Batarya kartuşunu zorlayarak takmayın. Kartuş kolay bir şekilde kaymıyorsa doğru yerleştirilmemiş demektir.

Batarya koruma sistemi (Lityum-ion yıldız işaretli batarya kartuşu) (Şek. 2)

Yıldız işaretli lityum-ion bataryalar bir koruma sistemi ile donatılmıştır. Bu sistem alete giden gücü otomatik olarak keserek uzun hizmet ömrü sağlar.

Alet ve/veya batarya için aşağıdaki durumlardan biri söz konusu olduğunda aletin işleyişi otomatik olarak durur.

- Aşırı yüklenme:
Alet, anormal derecede yüksek akım çekmesine neden olacak şekilde kullanılmaktadır.
Bu durumda, aletin üzerindeki sürgülü anahtarı "O (KAPALI)" konuma kaydırın ve aletin aşırı yüklenmesine neden olan uygulamayı durdurun. Aleti yeniden başlatmak için sürgülü anahtarı "I (AÇIK)" konumuna getirin.
Alet çalışmaya başlamazsa, batarya aşırı ısınmış demektir. Bu durumda, sürgülü anahtarı tekrar "I (AÇIK)" konumuna çekmeden önce bataryanın soğumasını bekleyin.
- Düşük batarya voltajı:
Kalan batarya kapasitesi çok düşüktür ve alet çalışmaz. Bu durum söz konusuysa, bataryayı çıkarıp şarj edin.

Anahtar işlemi (Şek. 3)

⚠ DİKKAT:

- Batarya kartuşunu alete takmadan önce, aletin kapalı olduğundan emin olmak için mutlaka kontrol edin.

Aleti başlatmak için, sürgülü anahtarı "I (AÇIK)" konumuna getirin.

Aleti durdurmak için, sürgülü anahtarı "O (KAPALI)" konumuna getirin.

Orbital darbe hızının ayarlanması (Şek. 4)

Orbital darbe hızı ayarlanabilir. Orbital darbe hızını değiştirmek için, kadranı 1 ilâ 6 arasında bir rakama getirin. Sayı arttıkça, orbital darbe hızı da artar. Kadranı çalıştığınız iş parçasına uygun olan rakama ayarlayın.

NOT:

- Kadran 1'den 6'ya ya da 6'dan 1'e doğrudan çevrilemez. Kadranı zorlamak alete zarar verebilir. Kadranın yönünü değiştirirken kadranı aradaki sayıların her birine getirerek çevirmelisiniz.

Ön lambanın yakılması (Şek. 5)

⚠ UYARI:

- Asla doğrudan ışığa bakmayın. Işığa doğrudan bakmak gözlerinize zarar verir.

Ön lambayı yakmak için sürgülü anahtarı "I (AÇIK)" konumuna getirin. Anahtar "I (AÇIK)" konumundayken lamba yanmaya devam eder. Sürgülü anahtarın arka tarafına basıldığında ve ardından sürgülü anahtar "O (KAPALI)" konumuna getirildiğinde ışık otomatik olarak söner.

Aşırı yük koruması

Alet aşırı yüklenildiğinde ve aletin sıcaklığı belli bir seviyeye ulaştığında, ön lamba yanıp söner ve alet otomatik olarak durur. Aleti yeniden başlatmak için aşırı yüklenmenin nedenini gidirin.

Gösterge lambası (Şek. 6)

- Kalan batarya kapasitesi düşük olduğunda, gösterge lambası yanıp söner.
- Kalan batarya kapasitesi daha da düştüğünde, alet çalışmayı bırakır ve gösterge lambası yaklaşık 10 saniye kadar yanar.

Bu durumda, batarya kartuşunu aletten çıkarın ve şarj edin.

MONTAJ

⚠ DİKKAT:

- Alet üzerinde herhangi bir iş yapmadan önce aletin kapalı ve batarya kartuşunun ayrılmış olduğundan daima emin olun.

Uygulama aletinin (isteğe bağlı aksesuarın) takılması veya çıkarılması (Şek. 7, 8 ve 9)

⚠ UYARI:

- Uygulama aleti baş aşağı takmayın. Uygulama aletinin baş aşağı takılması ciddi yaralanmalara ve alete zarar gelmesine neden olabilir.
- Ek parçayı çalıştığınız işe göre doğru yönde takın. Uygulama aleti 30 derecelik açılarla takılabilir.

Uygulama aletini (isteğe bağlı aksesuar), alet flanşının çıkıntılı uygulama aletindeki deliklere oturacak şekilde alet flanşının üstüne koyun ve altigen anahtarla civatayı iyice sıkıyarak uygulama aletini sabitleyin.

Zımpara uygulama aletini kullanırken, uygulama aletini zımpara pedinin yönüne uygun şekilde zımpara pedinin üzerine monte edin.

Zımpara pedinde bir kanca ve halka türü bağlantı sistemi mevcuttur ve bu da zımpara kağıdının hızlı ve kolay bir şekilde yerleştirilmesini sağlar.

Zımpara kağıtları toz çekme için deliklere sahiptir, zımpara kağıdını zımpara pedi üzerindeki delikler zımpara kağıdındakilerle üst üste gelecek şekilde yerleştirin.

Bir zımpara kağıdını çıkarmak için, ucunu kaldırın ve söküp çıkarın. Altıgen bir anahtarla uygulama aleti montaj civatasını gevşetin ve sökün, ardından uygulama aletini çıkarın.

Farklı bir montaj türüne sahip olan uygulama aletlerini kullanacağınız zaman doğru bir adaptör (isteğe bağlı aksesuar) kullanın.

Altıgen anahtarın saklanması (Şek. 10)

Kullanılmadığı zamanlarda, altıgen anahtarın kaybolmasını önlemek için anahtarı şekilde gösterildiği gibi saklayın.

KULLANIM

⚠ UYARI:

- Aleti kullanmaya başlamadan önce ve çalışma sırasında, elinizi ve yüzünüzü uygulama aletinden uzak tutun.
- Alete aşırı güç uygulamayın, aksi takdirde motor kilitlebilir ve alet durabilir.

Kesme, testereleme ve raspalama (Şek. 11)

Uygulama aletini iş parçasının üzerine yerleştirin. Daha sonra, uygulama aletinin hareketi yavaşlamayacak şekilde aleti ileri doğru hareket ettirin.

NOT:

- Aleti zorlama veya alet üzerinde aşırı basınç uygulama verimi azaltabilir.
- Kesim işleminden önce orbital darbe hızının 4 ilâ 6 arasında bir değere ayarlanması tavsiye edilir.

Zımparalama (Şek. 12)

⚠ UYARI:

- Metal zımparalamak için kullanılmış bir zımpara kağıdını tahta zımparalamak için tekrar kullanmayın.
- Aşınmış bir zımparalama kağıdını veya zımpara tanecikleri olmayan bir zımpara kağıdını kullanmayın.

Zımpara kağıdını iş parçasının üzerine uygulayın.

NOT:

- Çalıştığınız işe uygun doğru bir orbital darbe hızı belirlemek için bir test materyali numunesi kullanarak deneme yapmanız tavsiye edilir.
- İş parçasının tamamının zımparalanması tamamlanana kadar aynı tip zımpara taneciklerine sahip bir zımpara kağıdı kullanın. Farklı tip zımpara taneciklerine sahip bir zımpara kağıdı ile değiştirmek iyi bir finiş sağlanamamasına neden olabilir.

Toz çekme parçası (isteğe bağlı aksesuar) (Şek. 13 ve 14)

- Toz toplama başlığını ve toz ek parçasını takın.
- Toz toplama başlığı kelepçesini aletin üzerine yerleştirin ve sabitlenmesi için çıkıntılarını alet üzerindeki deliğe oturtun.
- Keçe halkayı ve zımpara pedini toz ek parçasının üzerine takın ve uygulama aleti montaj civatası ile sabitleyin.

Daha temiz çalışmak isterseniz makinenize bir elektrikli süpürge bağlayın. Elektrikli süpürge hortumunu toz çekme ek parçasına (isteğe bağlı aksesuar) bağlayın.

BAKIM

⚠ DİKKAT:

- Işıklı ilgili olarak aşağıda belirtilen arıza giderme durumları haricinde, kontrol ya da bakım yapmaya kalkışmadan önce aletin kapalı ve batarya kartuşunun çıkartılmış olduğundan daima emin olun.
- Benzin, tiner, alkol ve benzeri maddeleri kesinlikle kullanmayın. Renk değişimi, deformasyon veya çatlaklar oluşabilir.

Makinanın EMNİYET ve GÜVENLİLİRLİĞİNİ muhafaza etmek için onarımlar, karbon fırça muayenesi ve değişimi, başka her türlü bakım ve ayarlamalar daima Makita yedek parçaları kullanılarak Makita Yetkili Servis Merkezleri tarafından yapılmalıdır.

İSTEĞE BAĞLI AKSESUARLAR

⚠ DİKKAT:

- Bu aksesuarlar ve ek parçalar bu el kitabında belirtilen Makita aletiniz ile kullanılmak için tavsiye edilmektedir. Herhangi başka bir aksesuar ya da ek parça kullanılması insanlar için bir yaralanma riski getirebilir. Aksesuarları ya da ek parçaları yalnızca belirtilmiş olan kullanım amaçlarına uygun olarak kullanın.

Bu aksesuarlarla ilgili daha fazla bilgiye ihtiyaç duyarsanız bulunduğunuz yerdeki Makita Servis Merkezi başvurun.

- Segment testere bıçağı
- Yuvarlak testere bıçağı
- Dalma testere bıçağı
- Raspa (sert)
- Raspa (esnek)
- Dişli segment bıçağı
- Derz makinesi
- HM çıkartıcı
- HM segment testere bıçağı
- HM zımpara plakası
- Elmas segment testere bıçağı
- Zımpara pedi
- Adaptör
- Üçgen zımpara (kırmızı / beyaz / siyah)
- Üçgen zımpara kaplaması (orta / kalın / taneciksiz)
- Üçgen zımparalar için polisaj keçesi
- Altıgen anahtar
- Toz çekme ek parçası
- Orijinal Makita batarya ve şarj aleti

NOT:

- Listedeki bazı parçalar standart aksesuar olarak ürün paketinin içine dahil edilmiş olabilir. Aksesuarlar ülkeden ülkeye farklılık gösterebilir.

Gürültü

EN60745 uyarınca hesaplanan tipik A-ağırlıklı gürültü düzeyi:

Çalışma modu: zımparalama

Ses basınç seviyesi (L_{pA}): 78 dB (A)
Belirsizlik (K): 3 dB (A)

İşlem sırasında gürültü seviyesi 80 dB (A)'yi geçebilir.

Çalışma modu: Dalma testere bıçağı ile kesme

Model BTM40

Ses basınç seviyesi (L_{pA}): 82 dB (A)
Ses gücü düzeyi (L_{WA}): 93 dB (A)
Belirsizlik (K): 3 dB (A)

Model BTM50

Ses basınç seviyesi (L_{pA}): 84 dB (A)
Ses gücü düzeyi (L_{WA}): 95 dB (A)
Belirsizlik (K): 3 dB (A)

Çalışma modu: segmental testere bıçağı ile kesme

Ses basınç seviyesi (L_{pA}): 81 dB (A)
Ses gücü düzeyi (L_{WA}): 92 dB (A)
Belirsizlik (K): 3 dB (A)

Çalışma modu: raspalama

Model BTM40

Ses basınç seviyesi (L_{pA}): 81 dB (A)
Ses gücü düzeyi (L_{WA}): 92 dB (A)
Belirsizlik (K): 3 dB (A)

Model BTM50

Ses basınç seviyesi (L_{pA}): 83 dB (A)
Ses gücü düzeyi (L_{WA}): 94 dB (A)
Belirsizlik (K): 3 dB (A)

Kulak koruyucusu takın

ENG900-1

Titreşim

EN60745 standardına göre hesaplanan titreşim toplam değeri (üç eksenli vektör toplamı):

Çalışma modu: zımparalama

Titreşim emisyonu (a_h): 2,5 m/s² den az
Belirsizlik (K): 1,5 m/s²

Çalışma modu: Dalma testere bıçağı ile kesme

Model BTM40

Titreşim emisyonu (a_h): 9,5 m/s²
Belirsizlik (K): 1,5 m/s²

Model BTM50

Titreşim emisyonu (a_h): 10,0 m/s²
Belirsizlik (K): 1,5 m/s²

Çalışma modu: segmental testere bıçağı ile kesme

Model BTM40

Titreşim emisyonu (a_h): 5,0 m/s²
Belirsizlik (K): 1,5 m/s²

Model BTM50

Titreşim emisyonu (a_h): 5,5 m/s²
Belirsizlik (K): 1,5 m/s²

Çalışma modu: raspalama

Model BTM40

Titreşim emisyonu (a_h): 7,5 m/s²
Belirsizlik (K): 1,5 m/s²

Model BTM50

Titreşim emisyonu (a_h): 9,5 m/s²
Belirsizlik (K): 1,5 m/s²

- Beyan edilen titreşim emisyon değeri standart test yöntemine uygun şekilde ölçülmüştür ve bir aleti bir başkasıyla karşılaştırmak için kullanılabilir.
- Beyan edilen titreşim emisyon değeri bir ön maruz kalma değerlendirmesi olarak da kullanılabilir.

⚠ UYARI:

- Bu elektrikli aletin gerçek kullanımı sırasındaki titreşim emisyonu aletin kullanım biçimlerine bağlı olarak beyan edilen emisyon değerinden farklı olabilir.
- Gerçek kullanım koşullarındaki maruz kalmanın bir tahmini hesaplaması temelinde operatörü koruyacak güvenlik önlemlerini mutlaka belirleyin (çalışma döngüsü içerisinde aletin kapalı olduğu ve aktif durumda olmasının yanı sıra boşta çalıştığı zamanlar gibi, bütün zaman dilimleri göz önünde bulundurularak değerlendirilmelidir).

ENH101-15

Sadece Avrupa ülkeleri için**EC Uygunluk Beyanı**

Sorumlu imalatçı olarak biz Makita Corporation beyan ederiz ki aşağıdaki Makita makine (ler):

Makine Adı:

Akülü Çok Fonksiyonlu Alet
Model No./ Tipi: BTM40, BTM50
seri üretilmişlerdir ve

aşağıdaki Avrupa Direktiflerine uygundur:

2006/42/CE

ve aşağıdaki standartlara veya standartlaştırılmış belgelere uygun olarak imal edilmişlerdir:

EN60745

Teknik dokümantasyon aşağıda adı ve adresi verilen Avrupa'daki yetkili temsilcimiz tarafından muhafaza edilmektedir:

Makita International Europe Ltd.
Michigan Drive, Tongwell,
Milton Keynes, Bucks MK15 8JD, England

20.10.2011



Tomoyasu Kato
Müdür

Makita Corporation
3-11-8, Sumiyoshi-cho,
Anjo, Aichi, 446-8502, JAPAN

Makita Corporation
Anjo, Aichi, Japan

885117-995

www.makita.com

IDE