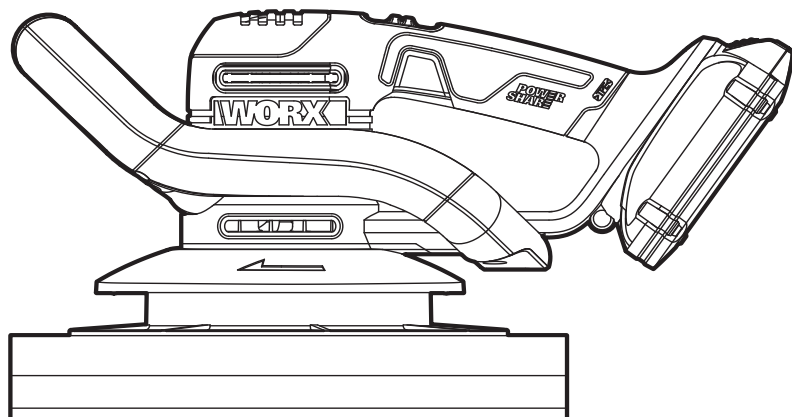


# WORX®



**20V Cordless Orbital Buffer**

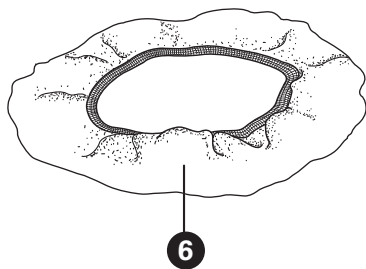
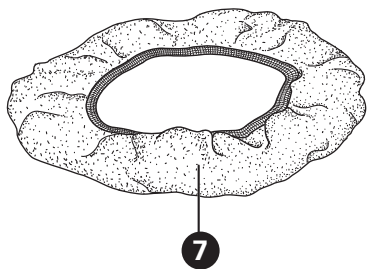
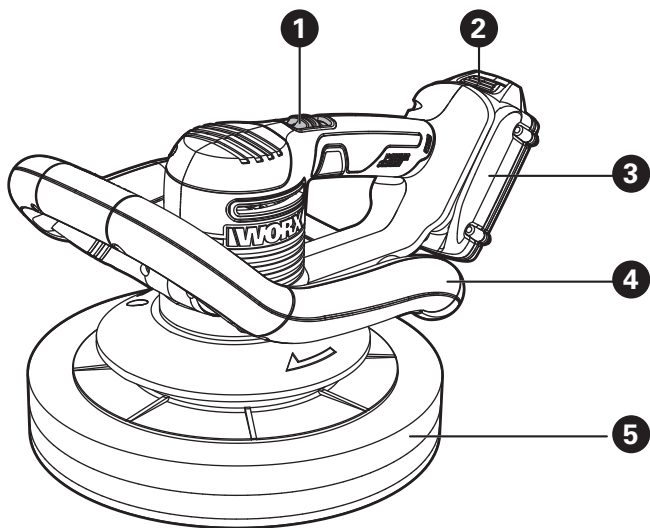
**EN P06**

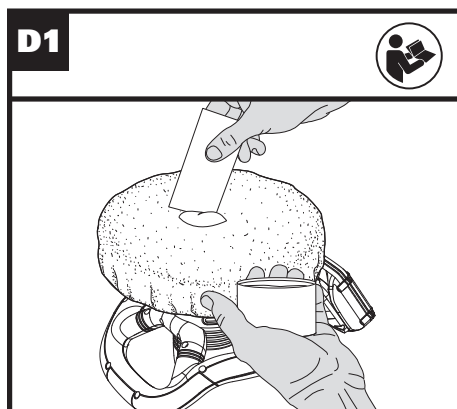
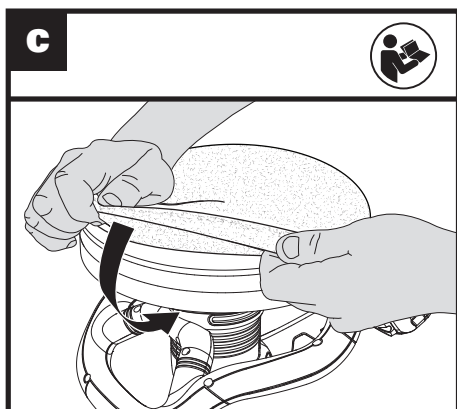
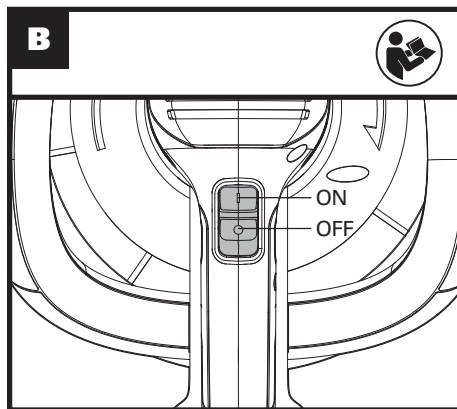
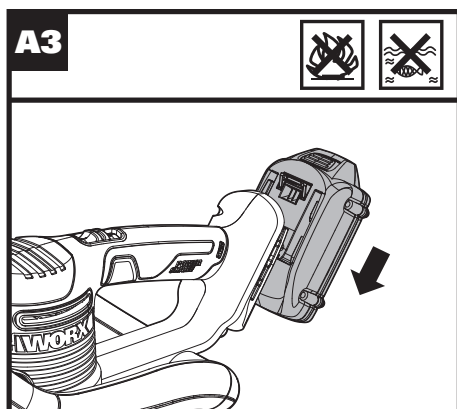
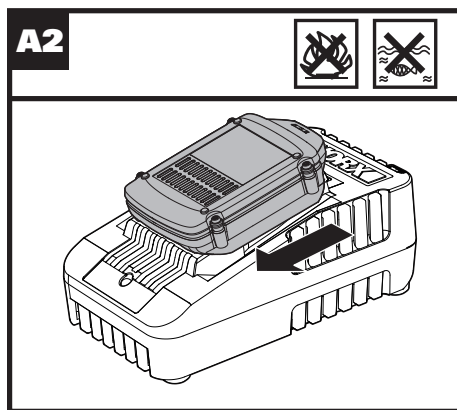
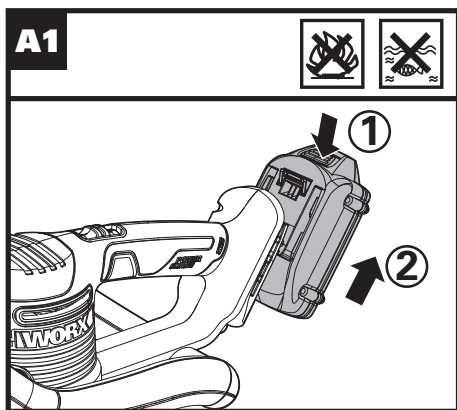
**20В аккумуляторная полировальная машина**

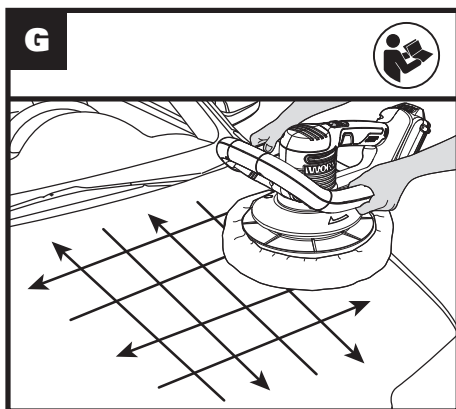
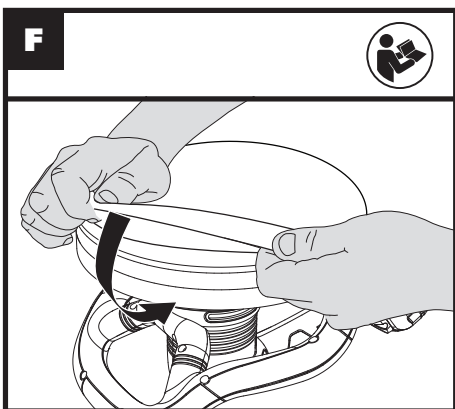
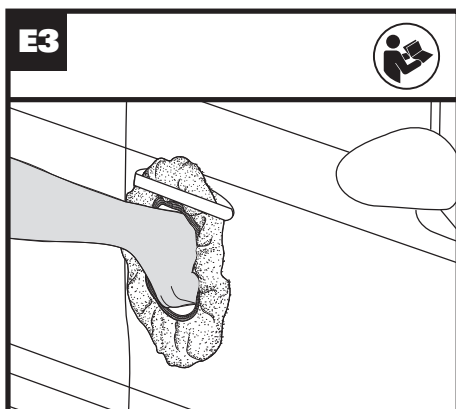
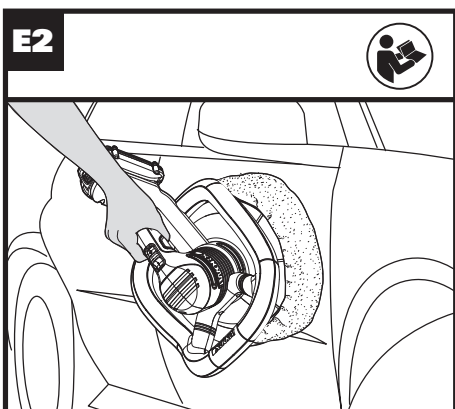
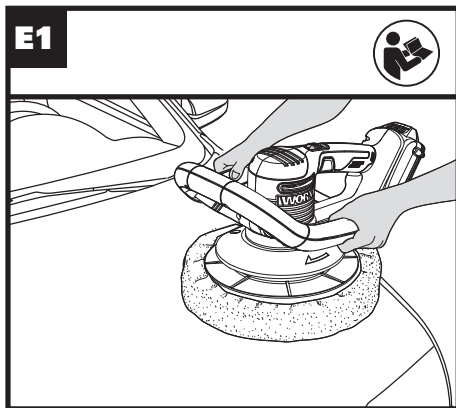
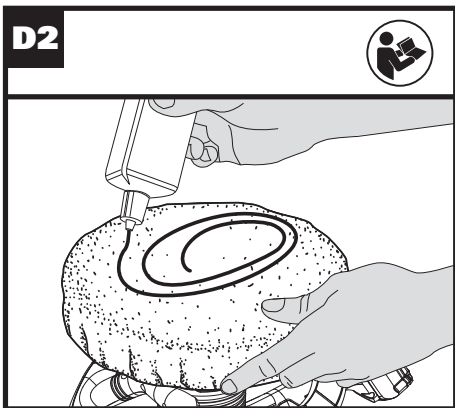
**RU P11**

**WX856 WX856.X**









# ORIGINAL INSTRUCTIONS

## PRODUCT SAFETY

### GENERAL POWER TOOL

#### SAFETY WARNINGS



**WARNING** Read all safety warnings, instructions, illustrations and specifications provided with this power tool. Failure to follow all instructions listed below may result in electric shock, fire and/or serious injury.

Save all warnings and instructions for future reference.

The term "power tool" in the warnings refers to your mains-operated (corded) power tool or battery-operated (cordless) power tool.

#### 1) Work area safety

- a) **Keep work area clean and well lit.** Cluttered or dark areas invite accidents.
- b) **Do not operate power tools in explosive atmospheres, such as in the presence of flammable liquids, gases or dust.** Power tools create sparks which may ignite the dust or fumes.
- c) **Keep children and bystanders away while operating a power tool.** Distractions can cause you to lose control.

#### 2) Electrical safety

- a) **Power tool plugs must match the outlet.** Never modify the plug in any way. Do not use any adapter plugs with earthed (grounded) power tools. Unmodified plugs and matching outlets will reduce risk of electric shock.
- b) **Avoid body contact with earthed or grounded surfaces, such as pipes, radiators, ranges and refrigerators.** There is an increased risk of electric shock if your body is earthed or grounded.
- c) **Do not expose power tools to rain or wet conditions.** Water entering a power tool will increase the risk of electric shock.
- d) **Do not abuse the cord.** Never use the cord for carrying, pulling or unplugging the power tool. Keep cord away from heat, oil, sharp edges or moving parts. Damaged or entangled cords increase the risk of electric shock.
- e) **When operating a power tool outdoors, use an extension cord suitable for outdoor use.** Use of a cord suitable for outdoor use reduces the risk of electric shock.
- f) **If operating a power tool in a damp location is unavoidable, use a residual current device (RCD) protected supply.** Use of an RCD reduces the risk of electric shock.

#### 3) Personal safety

- a) **Stay alert, watch what you are doing and use common sense when operating a power**

**tool.** Do not use a power tool while you are tired or under the influence of drugs, alcohol or medication. A moment of inattention while operating power tools may result in serious personal injury.

- b) **Use personal protective equipment. Always wear eye protection.** Protective equipment such as dust mask, non-skid safety shoes, hard hat, or hearing protection used for appropriate conditions will reduce personal injuries.
  - c) **Prevent unintentional starting. Ensure the switch is in the off-position before connecting to power source and/or battery pack, picking up or carrying the tool.** Carrying power tools with your finger on the switch or energising power tools that have the switch on invites accidents.
  - d) **Remove any adjusting key or wrench before turning the power tool on.** A wrench or a key left attached to a rotating part of the power tool may result in personal injury.
  - e) **Do not overreach. Keep proper footing and balance at all times.** This enables better control of the power tool in unexpected situations.
  - f) **Dress properly. Do not wear loose clothing or jewellery. Keep your hair and clothing away from moving parts.** Loose clothes, jewellery or long hair can be caught in moving parts.
  - g) **If devices are provided for the connection of dust extraction and collection facilities, ensure these are connected and properly used.** Use of dust collection can reduce dust-related hazards.
  - h) **Do not let familiarity gained from frequent use of tools allow you to become complacent and ignore tool safety principles.** A careless action can cause severe injury within a fraction of a second.
- #### 4) Power tool use and care
- a) **Do not force the power tool. Use the correct power tool for your application.** The correct power tool will do the job better and safer at the rate for which it was designed.
  - b) **Do not use the power tool if the switch does not turn it on and off.** Any power tool that cannot be controlled with the switch is dangerous and must be repaired.
  - c) **Disconnect the plug from the power source and/or remove the battery pack, if detachable, from the power tool before making any adjustments, changing accessories, or storing power tools.** Such preventive safety measures reduce the risk of starting the power tool accidentally.
  - d) **Store idle power tools out of the reach of children and do not allow persons unfamiliar with the power tool or these instructions to operate the power tool.** Power tools are dangerous in the hands of untrained users.
  - e) **Maintain power tools and accessories. Check for misalignment or binding of moving parts,**

**breakage of parts and any other condition that may affect the power tool's operation. If damaged, have the power tool repaired before use.** *Many accidents are caused by poorly maintained power tools.*

- f) Keep cutting tools sharp and clean.** *Properly maintained cutting tools with sharp cutting edges are less likely to bind and are easier to control.*
- g) Use the power tool, accessories and tool bits etc. in accordance with these instructions, taking into account the working conditions and the work to be performed.** *Use of the power tool for operations different from those intended could result in a hazardous situation.*
- h) Keep handles and grasping surfaces dry, clean and free from oil and grease.** *Slippery handles and grasping surfaces do not allow for safe handling and control of the tool in unexpected situations.*

#### **5) Battery tool use and care**

- a) Recharge only with the charger specified by the manufacturer.** *A charger that is suitable for one type of battery pack may create a risk of fire when used with another battery pack.*
- b) Use power tools only with specifically designated battery packs.** *Use of any other battery packs may create a risk of injury and fire.*
- c) When battery pack is not in use, keep it away from other metal objects, like paper clips, coins, keys, nails, screws or other small metal objects, that can make a connection from one terminal to another.** *Shorting the battery terminals together may cause burns or a fire.*
- d) Under abusive conditions, liquid may be ejected from the battery; avoid contact. If contact accidentally occurs, flush with water. If liquid contacts eyes, additionally seek medical help.** *Liquid ejected from the battery may cause irritation or burns.*
- e) Do not use a battery pack or tool that is damaged or modified.** *Damaged or modified batteries may exhibit unpredictable behaviour resulting in fire, explosion or risk of injury.*
- f) Do not expose a battery pack or tool to fire or excessive temperature.** *Exposure to fire or temperature above 130 °C may cause explosion.*
- g) Follow all charging instructions and do not charge the battery pack or tool outside the temperature range specified in the instructions.** *Charging improperly or at temperatures outside the specified range may damage the battery and increase the risk of fire.*
- 6) Service**
  - a) Have your power tool serviced by a qualified repair person using only identical replacement parts.** *This will ensure that the safety of the power tool is maintained.*
  - b) Never service damaged battery packs.** *Service of battery packs should only be performed by the manufacturer or authorized service*

*providers.*

## **SAFETY WARNINGS FOR BATTERY PACK**

- a) Do not dismantle, open or shred cells or battery pack.**
- b) Do not short-circuit a battery pack. Do not store battery packs haphazardly in a box or drawer where they may short-circuit each other or be short-circuited by conductive materials.** *When battery pack is not in use, keep it away from other metal objects, like paper clips, coins, keys, nails, screws or other small metal objects, that can make a connection from one terminal to another. Shorting the battery terminals together may cause burns or a fire.*
- c) Do not expose battery pack to heat or fire. Avoid storage in direct sunlight.**
- d) Do not subject battery pack to mechanical shock.**
- e) In the event of battery leaking, do not allow the liquid to come into contact with the skin or eyes. If contact has been made, wash the affected area with copious amounts of water and seek medical advice.**
- f) Seek medical advice immediately if a cell or battery pack has been swallowed.**
- g) Keep battery pack clean and dry.**
- h) Wipe the battery pack terminals with a clean dry cloth if they become dirty.**
- i) Battery pack needs to be charged before use. Always refer to this instruction and use the correct charging procedure.**
- j) Do not maintain battery pack on charge when not in use.**
- k) After extended periods of storage, it may be necessary to charge and discharge the battery pack several times to obtain maximum performance.**
- l) Battery pack gives its best performance when it is operated at normal room temperature (20 °C ± 5 °C).**
- m) When disposing of battery packs, keep battery packs of different electrochemical systems separate from each other.**
- n) Recharge only with the charger specified by POSITEC . Do not use any charger other than that specifically provided for use with the equipment.** *A charger that is suitable for one type of battery pack may create a risk of fire when used with another battery pack.*
- o) Do not use any battery pack which is not designed for use with the equipment.**
- p) Keep battery pack out of the reach of children.**
- q) Retain the original product literature for future reference.**
- r) Remove the battery from the equipment when not in use.**
- s) Dispose of properly.**

- t) Do not mix cells of different manufacture, capacity, size or type within a device.
- u) Do not remove battery pack from its original packaging until required for use.
- v) Observe the plus (+) and minus (-) marks on the battery and ensure correct use.

## SYMBOLS

	To reduce the risk of injury, user must read instruction manual
	Wear ear protection
	Wear eye protection
	Wear dust mask
	Batteries may enter water cycle if disposed improperly, which can be hazardous for ecosystem. Do not dispose of waste batteries as unsorted municipal waste.
	Do not burn
 Li-Ion 	Li-Ion battery This product has been marked with a symbol relating to 'separate collection' for all battery packs and battery pack. It will then be recycled or dismantled in order to reduce the impact on the environment. Battery packs can be hazardous for the environment and for human health since they contain hazardous substances.

## COMPONENT LIST

<b>1. ON/OFF SWITCH</b>
<b>2. BATTERY PACK RELEASE BUTTON *</b>
<b>3. BATTERY PACK *</b>
<b>4. HANDLE</b>
<b>5. FOAM PAD</b>

## 6. ELASTIC APPLICATOR BONNET (TERRY CLOTH BONNET)

## 7. ELASTIC BUFFING BONNET (WOOL BONNET)

\* Not all the accessories illustrated or described are included in standard delivery.

## TECHNICAL DATA

Type Designation **WX856 WX856.X**  
(856-designation of machinery, representative of Polishers)

	WX856	WX856.X**
Voltage	20V $\overline{\text{---}}$ Max***	
No load speed	3000r/min	
Run time	40min	
Base plate size	254mm	
Machine weight (bare tool)	2.0kg	

\*\* X=1-999, A-Z, M1-M9 there are only used for different customers, there are no safe relevant changes between these models

\*\*\* Voltage measured without workload. Initial battery voltage reaches maximum of 20 volts. Nominal voltage is 18 volts.

## NOISE INFORMATION

A weighted sound pressure	$L_{pA} = 73.2 \text{ dB(A)}$
$K_{pA}$	3dB(A)
A weighted sound power	$L_{wA} = 84.2 \text{ dB(A)}$
$K_{wA}$	3dB(A)

**Wear ear protection.**

## VIBRATION INFORMATION

Vibration total values (triax vector sum) determined according to EN 62841:

Vibration emission value:	$a_h = 3.904 \text{ m/s}^2$
	Uncertainty $K = 1.5 \text{ m/s}^2$

The declared vibration total value and the declared noise



emission value have been measured in accordance with a standard test method and may be used for comparing one tool with another.

The declared vibration total value and the declared noise emission value may also be used in a preliminary assessment of exposure.

**WARNING:** The vibration and noise emissions during actual use of the power tool can differ from the declared value depending on the ways in which the tool is used especially what kind of workpiece is processed dependant on the following examples and other variations on how the tool is used:

How the tool is used and the materials being cut or drilled.

The tool being in good condition and well maintained.

The use of the correct accessory for the tool and ensuring it is sharp and in good condition.

The tightness of the grip on the handles and if any anti vibration and noise accessories are used.

And the tool is being used as intended by its design and these instructions.

**This tool may cause hand-arm vibration syndrome if its use is not adequately managed.**

**WARNING:** To be accurate, an estimation of exposure level in the actual conditions of use should also take account of all parts of the operating cycle such as the times when the tool is switched off and when it is running idle but not actually doing the job. This may significantly reduce the exposure level over the total working period.

Helping to minimise your vibration and noise exposure risk. Always use sharp chisels, drills and blades.

Maintain this tool in accordance with these instructions and keep well lubricated (where appropriate).

If the tool is to be used regularly then invest in anti vibration and noise accessories.

Plan your work schedule to spread any high vibration tool use across a number of days.

Category	Type	Capacity
20V Battery	WA3550	1.5Ah
	WA3550.1	1.5Ah
	WA3551	2.0Ah
	WA3551.1	2.0Ah
	WA3553	4.0Ah
20V Charger	WA3760	0.4A
	WA3869	2.0A
	WA3880	2.0A

We recommend that you purchase your accessories from the same store that sold you the tool. Refer to the accessory packaging for further details. Store personnel can assist you and offer advice.

## OPERATING INSTRUCTIONS



**NOTE:** Before using the tool, read the instruction book carefully.

### INTENDED USE

The machine is intended for polishing floor, car and other coated surfaces.

### 1. INSTALL/REMOVE THE BATTERY PACK

**To install:** Place the switch in the OFF (O) position. Then, slide the battery pack into the polisher. (See Fig.A1)

**To remove:** Place the switch in the OFF (O) position. Then, press the button to remove the battery pack from the polisher. (See Fig.A3)

Charging the battery pack (See Fig.A2)

### 2. ON/OFF SWITCH (SEE FIG.B)

Always start and stop the polisher against the car surface. Slide switch to the ON (I) position to start the polisher, pull backward to OFF (O) position to stop it.

### 3. ATTACHING THE APPLICATOR BONNET TO THE FOAM PAD (SEE FIG.C)

Place the switch in the OFF (O) position. Remove the battery pack from the tool. Place the terry cloth bonnet securely over the foam pad. Always make sure that the elastic strip on the bonnet is securely stuck to the foam pad

### 4. SPREAD THE POLISH

Spread about a tablespoonful of polish evenly over the entire surface of the pad cover. Do not apply polish directly to car.

Most polishes are either in the form of paste or liquid. Read all directions on appropriate applications and proper use before usage

### Application of paste polish (See Fig.D1)

Use flat, blunt object to apply properly one rounded teaspoon of paste onto the bonnet. Do not apply paste directly to the surface being polished. Spread the paste evenly over the entire surface of the bonnet.

### Application of liquid polish (See Fig.D2)

Apply approximately half-dollar size of liquid around the center of the bonnet, followed by two more rings, each slightly larger than the previous one. The bonnet will not absorb as much polish after the first application. Apply two rings of polish to the bonnet for subsequent applications (about half of the initial quantity)

**NOTE:** Be careful not to use too much polish at one time. If the pad is saturated, it will not last as long.

### 5. TO USE THE CAR POLISHER

When the polisher is firmly positioned on the surface, slide the ON/OFF switch into the ON (I) position. Always start and stop the polisher on or against the surface being polished. Start by polishing larger flat surfaces, such as the hood, trunk and roof. The pad cover will not adsorb as much when

reloading. Use extensive sweeping motion in the crisscross pattern. Do not use a polisher to press the surface down. Use the orbital action of the pad and bonnet to do the work. After covering a flat surface, polish curved surfaces such as car doors and quarter panels. Use a small circular motion. After applying polish to the entire surface, turn the polisher off. Wait until the pad stops rotating before lifting the polisher from the surface. (See Fig.E1)

**Note:** It is also convenient to use one hand to polish the roof and car sides. (See Fig.E2)

**Polish the smaller surfaces (SEE FIG. E3)**

For hard to reach areas, such as the underside of bumpers or side mirrors, apply polish by hand

**6. CHANGE TO BUFFING/POLISHING BONNET TO THE FOAM PAD (SEE FIG. F)**

Place the wool bonnet on foam pad. Always make sure that the elastic strip on the bonnet is securely stuck to the foam pad

**7. BUFFING AND POLISHING - REMOVING THE WAX FROM THE SURFACE (SEE FIG. G)**

**NOTE:** Wait until wax has dried to an even haze on vehicle. Remove wax in the same order in which it was applied.

Turn the polisher to the ON position. Polish and buff the entire surface until all dried wax is removed.

Remove the bonnet from time to time and shake out the residue. The bonnet with excess residue will cause streaking. You may need to replace the bonnet if you can't get it clean enough to avoid streaking. Final buffing and polishing use a clean bonnet.

**NOTE:** For best results, use long, sweeping strokes in a criss-cross pattern when removing wax.

## WORKING TIPS FOR YOUR POLISHER

1. For best results, the surface should be clean and dry. Most high-gloss surfaces can be cleaned with mild soap and water solution. To remove stubborn dirt, such as road tar, grease, and bug stains, use a mild ammonia solution, such as one used in glass cleaners. Before using any cleaning product, follow the instructions for use.
2. Always let the polisher work and do not force it or apply excessive pressure on the polisher. Preferably, use a light circular motion. Random orbital motion on this tool is better when less pressure is applied. Pressing too hard will slow down the machine's movement and affect the quality of work.
3. However, the most common mistake is to use too much wax. If pad absorbs too much wax, it will not last long, and polishing is more difficult and takes longer.
4. If bonnet continually comes off pad, please try with a new bonnet.
5. If the wax seems difficult to polish, you may have used too much wax. Apply wax in a thin, even coat. Too much wax does not add any more protection and

only makes the wax removal more difficult.

## TROUBLESHOOTING

1. If the polisher does not abrade surface, checking the bonnet. If the bonnet has been worn, replace the new bonnet and try again.
2. If a fault can not be rectified, return the tool to an authorized dealer for repair.

## MAINTENANCE

**Remove the battery pack from the machine before carrying out any adjustment, servicing or maintenance.**

Your power tool requires no additional lubrication or maintenance.

There are no user serviceable parts in your power tool. Never use water or chemical cleaners to clean your power tool. Wipe clean with a dry cloth. Always store your power tool in a dry place. Keep the motor ventilation slots clean. Keep all working controls free of dust. Occasionally you may see sparks through the ventilation slots. This is normal and will not damage your power tool.

## FOR BATTERY TOOLS

The ambient temperature range for the use and storage of tool and battery is 0°C-45°C(32°F-113°F). The recommended ambient temperature range for the charging system during charging is 0°C-40°C (32°F-104°F).

## ENVIRONMENTAL PROTECTION



**Disposal**

The machine, its accessories and packaging materials should be sorted for environmentally friendly recycling. The plastic components are labeled for categorized recycling.

# БЕЗОПАСНОСТЬ ИЗДЕЛИЯ ОБЩИЕ ПРЕДОСТЕРЕЖЕНИЯ ПО ТЕХНИКЕ БЕЗОПАСНОСТИ ПРИ РАБОТЕ С ЭЛЕКТРОИНСТРУМЕНТОМ



## ПРЕДОСТЕРЕЖЕНИЕ

Внимательно ознакомьтесь со всеми предупреждениями по технике безопасности, инструкциями, рисунками и спецификациями, прилагаемыми к этому электроинструменту. Невыполнение всех нижеприведенных инструкций и рекомендаций может привести к поражению электрическим током, пожару и/или серьезным травмам.

## СОХРАНИТЕ ВСЕ ИНСТРУКЦИИ И ПРЕДОСТЕРЕЖЕНИЯ ДЛЯ ДАЛЬНЕЙШЕГО ИСПОЛЬЗОВАНИЯ.

Термин “электроинструмент” в предупреждениях относится к вашему электроинструменту с питанием от сети (шнур) или к электроинструменту с батарейным питанием (беспроводной).

### 1) БЕЗОПАСНОСТЬ РАБОЧЕЙ ЗОНЫ

- a) **Держите рабочую зону чистой и хорошо освещенной.** Загроможденные или затемненные зоны предрасполагают к несчастным случаям.
- b) **Не используйте электроинструменты во взрывоопасных средах, например, в присутствии легковоспламеняющихся жидкостей, газов или пыли.** Электроинструменты создают искры, которые могут воспалить пыль или пары.
- c) **Держите детей и прохожих в стороне во время работы с электроинструментом.** Отвлекающие факторы могут привести к потере контроля над инструментом.

### 2) ЭЛЕКТРОБЕЗОПАСНОСТЬ

- a) **Вилки с электроинструментом должны соответствовать розетке. Никогда не изменяйте штепсель каким-либо образом. Запрещается использовать любые переходники с заземленными электроинструментами.** Не модифицированные вилки и соответствующие розетки уменьшают риск поражения электрическим током.
- b) **Избегайте контакта тела с заземленными поверхностями, такими как трубы, радиаторы, плиты и холодильники.** Существует повышенный риск поражения электрическим током, если ваше тело

заземлено.

- c) **Не подвергайте электроинструмент воздействию дождя или влажности.** Вода, попадающая в электроинструмент, повысит риск поражения электрическим током.
- d) **Запрещается применять шнур не по назначению. Никогда не используйте шнур для переноски, вытягивания или отсоединения электроинструмента. Держите шнур вдали от тепла, масла, острых краев или движущихся частей.** Поврежденные или запутанные шнуры повышают риск поражения электрическим током.
- e) **При работе с электроинструментом на открытом воздухе используйте удлинитель, предназначенный для использования на открытом воздухе.** Использование шнура, подходящего для использования на открытом воздухе, снижает риск поражения электрическим током.
- f) **Если работа электроинструмента во влажном месте неизбежна, используйте устройство защитного отключения.** Использование УЗО снижает риск поражения электрическим током.

### 3) ЛИЧНАЯ БЕЗОПАСНОСТЬ

- a) **Будьте внимательны, следите за тем, что вы делаете, и пользуйтесь здравым смыслом при работе с электроинструментом. Не используйте электроинструмент во время усталости или под воздействием наркотиков, алкоголя или медикаментов.** Невнимательность при работе электроинструмента может привести к серьезной травме.
- b) **Используйте средства индивидуальной защиты. Всегда надевайте защитные очки.** Защитное оборудование, такое как пылезащитная маска, нескользящая защитная обувь, каски или защита слуха, используемые для соответствующих условий, уменьшат риск возникновения травм.
- c) **Предотвращение непреднамеренного запуска. Перед подключением к источнику питания и / или батарейному блоку убедитесь, что переключатель находится в положении “выключено”.** Перенос электроинструментов с пальцем на выключателе или зарядка включенных электроинструментов приводит к несчастным случаям.
- d) **Перед включением электроинструмента уберите любые посторонние гаечные ключи.** Ключ, прикрепленный к вращающейся части электроинструмента, может стать причиной травмы.
- e) **Не наклоняйтесь. Постоянно сохраняйте равновесие.** Это позволяет лучше контролировать электроинструмент в неожиданных ситуациях.
- f) **Одевайтесь должным образом. Не надевайте свободную одежду или**

**украшения. Держите волосы, одежду и перчатки вдали от движущихся частей.**

Свободная одежда, ювелирные изделия или длинные волосы могут быть зацеплены движущимися частями.

- g) Если устройства оборудованы соединением для удаления пыли и подключения коллекторов, убедитесь, что такое оборудование подключено и используется должным образом.** Использование пылеулавливателей может уменьшить опасность, связанную с пылью.
- h) Не позволяйте опыту, полученному при частом использовании инструментов, расслабиться и игнорировать принципы безопасной работы с инструментами.** Неосторожное действие может привести к серьезной травме в течение доли секунды.
- 4) ИСПОЛЬЗОВАНИЕ ЭЛЕКТРОИНСТРУМЕНТА И УХОД ЗА НИМ**
- a) Запрещается избыточно загружать электроинструмент. Используйте подходящий электроинструмент для вашей работы.** Правильно подобранный электроинструмент сделает работу, для которой он был разработан, лучше и безопаснее.
- b) Не используйте электроинструмент, если выключатель не работает.** Любой электроинструмент, который не может управляться с помощью переключателя, опасен и должен быть отремонтирован.
- c) Перед выполнением любых регулировок, заменой принадлежностей или хранением электроинструмента отсоедините штекер от источника питания и / или аккумуляторной батареи от электроинструмента.** Такие предупредительные меры безопасности уменьшают риск случайного запуска электроинструмента.
- d) Храните электроинструменты в недоступном для детей месте и не позволяйте лицам, незнакомым с электроинструментом или с этой инструкцией, работать с ним.** Инструменты опасны в руках необученных пользователей.
- e) Обслуживайте электроинструменты. Проверьте несоосность движущихся частей, поломку деталей и любые другие состояния, которые могут повлиять на работу электроинструмента. В случае повреждения отремонтируйте электроинструмент перед использованием.** Многие несчастные случаи связаны с плохим обслуживанием электроинструментов.
- f) Поддерживайте заточку и чистоту режущих инструментов.** Правильно обслуживаемые режущие инструменты с острыми режущими кромками легче контролировать, и снижается вероятность их деформации.
- g) Используйте электроинструмент,**

**принадлежности и т. д. в соответствии с этими инструкциями, с учетом условий выполняемой работы.** Использование электроинструмента для операций, отличающихся от предназначенного использования, может привести к опасной ситуации.

- h) Следите, чтобы руки и захватные поверхности были сухими, чистыми и свободными от смазочного масла и консистентной смазки.** Скользкие ладони и захватные поверхности не позволят безопасно обращаться с инструментом и контролировать его в непредвиденных ситуациях.
- 5) ИСПОЛЬЗОВАНИЕ И ОБСЛУЖИВАНИЕ АККУМУЛЯТОРНЫХ ИНСТРУМЕНТОВ**
- a) Для зарядки используйте только зарядное устройство, указанное изготовителем.** Зарядное устройство, которое подходит для одного типа аккумулятора, может представлять опасность возгорания при использовании с другим типом аккумуляторов.
- b) Используйте электроинструменты только со специально предназначенными аккумуляторами.** Использование любого другого типа аккумуляторов может стать причиной травм и пожара.
- c) Когда аккумулятор не используется, храните его подальше от других металлических предметов, например, скрепок, монет, ключей, гвоздей, винтов или других небольших металлических предметов, которые могут привести к замыканию клемм.** Замыкание клемм аккумулятора может стать причиной ожогов или пожара.
- d) В неблагоприятных условиях из аккумулятора может вытекать жидкость; избегайте контакта с этой жидкостью. Если контакт все же произошел, промойте пострадавшее место водой. Если жидкость попала в глаза, немедленно обратитесь за медицинской помощью.** Жидкость, вытекшая из аккумулятора, может вызвать раздражение или ожоги.
- e) Не используйте аккумулятор или инструмент в случае их повреждения или изменения.** Поврежденные или измененные аккумуляторы могут вести себя непредсказуемо, что может стать причиной пожара, взрыва или опасности получения травмы.
- f) Не подвергайте аккумулятору или инструмент воздействию огня или избыточной температуры.** Воздействие огня или температуры выше 130°C может стать причиной взрыва.
- g) Выполняйте все инструкции по зарядке и не заряжайте аккумулятор или инструмент вне пределов диапазона температур, указанных в инструкциях.** Неправильная зарядка или зарядка при температурах, которые выходят за пределы указанного диапазона, может повредить

аккумулятор и увеличить опасность пожара.

## 6) ОБСЛУЖИВАНИЕ




- a) **Обслуживайте свой инструмент только с помощью квалифицированного специалиста по ремонту, используя только идентичные запасные части.** Это обеспечит поддержание безопасности электроинструмента.
- b) **Никогда не обслуживайте поврежденные аккумуляторы.** Обслуживание аккумуляторов должно выполняться только изготовителем или авторизованными сервисными провайдерами.

# ПРАВИЛА ТЕХНИКИ БЕЗОПАСНОСТИ ДЛЯ АККУМУЛЯТОРНОЙ БАТАРЕИ

- a) **Не допускается разбирать, вскрывать, извлекать элементы питания и аккумуляторную батарею.**
- b) **Не допускается накоротко замыкать элементы питания или аккумулятор.** **Не допускается беспорядочно хранить элементы питания или аккумулятор в коробке или ящике, где они могут замкнуть друг друга или могут быть замкнуты другими металлическими предметами.** Если аккумуляторная батарея не используется, держите ее подальше от металлических предметов, таких как зажимы, монеты, гвозди, винты и прочие металлические предметы небольшого размера, которые могут соединить клеммы друг с другом. Короткое замыкание клемм батареи может стать причиной ожогов или пожара.
- c) **Не допускается подвергать аккумуляторную батарею воздействию высоких температур или пламени.** Избегайте хранения аккумуляторной батареи в местах, подверженных воздействию прямого солнечного света.
- d) **Не допускается подвергать аккумуляторную батарею механическим ударам**
- e) **В случае протечки аккумуляторной батареи, не допускайте контакта электролита с кожей или глазами.** В случае такого контакта необходимо промыть пораженный участок обильным количеством воды и обратиться за медицинской помощью.
- f) **В случае проглатывания элемента питания или аккумулятора необходимо незамедлительно обратиться за медицинской помощью.**
- g) **Аккумуляторную батарею необходимо содержать в чистоте и сухости.**
- h) **В случае загрязнения контактов**

- аккумуляторной батареи их необходимо протереть чистой сухой тканью.
- i) **Аккумуляторную батарею необходимо заряжать перед использованием.** Всегда следуйте данной инструкции и используйте правильный порядок зарядки.
- j) **Не допускается оставлять аккумулятор на зарядном устройстве, если он не используется.**
- k) **После продолжительного хранения может потребоваться несколько раз зарядить и разрядить аккумуляторную батарею для достижения максимальной эффективности ее работы.**
- l) **Аккумуляторная батарея работает наиболее эффективно при нормальной комнатной температуре (20°C ±5°C).**
- m) **При утилизации аккумуляторных батарей держите их отдельно от других электромеханических систем.**
- n) **Используйте только зарядные устройства, указанные WORX. Не допускается использовать какие-либо зарядные устройства, за исключением специально предназначенных для данного оборудования.** *Зарядное устройство, которое подходит для одной аккумуляторной батареи, может стать причиной пожара при использовании с другой аккумуляторной батареей.*
- o) **Не допускается использовать какие-либо аккумуляторные батареи, не предназначенные для использования с данным оборудованием.**
- p) **Храните аккумуляторную батарею в местах, недоступных для детей.**
- q) **Следует сохранить оригинальную документацию на изделие для будущего использования.**
- r) **По возможности извлекайте аккумуляторную батарею из изделия, если она не используется.**
- s) **Утилизируйте аккумуляторную батарею должным образом.**
- t) **Не используйте с устройством элементы разного производства, емкости, размера или типа.**
- u) **Не извлекайте батарейный блок из оригинальной упаковки до начала использования.**
- v) **Осмотрите отметки «плюс» (+) и «минус» (-) на батарее и удостоверитесь в правильном использовании.**

## УСЛОВНЫЕ ОБОЗНАЧЕНИЯ

	Для сокращения риска травмы пользователь должен прочитать руководство по эксплуатации прибора
	Наденьте защитные наушники
	Наденьте защитные очки
	Наденьте респиратор
	При неправильной утилизации батареи могут попасть в водный цикл, что может быть опасным для экосистемы. Не выбрасывайте использованные батареи в несортированные бытовые отходы.
	Не поджигать
 Li-Ion	Литий-ионный аккумулятор Этот продукт был отмечен символом, связанным с «раздельным сбором» для всех батарейных блоков и батареи. Затем он утилизируется или раскреплен, чтобы уменьшить воздействие на окружающую среду. Батарейный блок могут быть вредны для окружающей среды и здоровья человека, поскольку они содержат вредные вещества.
 Li-Ion	

## СПИСОК КОМПОНЕНТОВ

- 1. КНОПКА ВКЛЮЧЕНИЯ/ВЫКЛЮЧЕНИЯ**
- 2. КНОПКА ОТСОЕДИНЕНИЯ АККУМУЛЯТОРНОЙ БАТАРЕИ \***
- 3. АККУМУЛЯТОРНАЯ БАТАРЕЯ\***
- 4. РУКОЯТКА**
- 5. ПРОКЛАДКА ИЗ ПЕНОМАТЕРИАЛА**
- 6. ЭЛАСТИЧНЫЙ КРУГ ДЛЯ НАНЕСЕНИЯ ПОЛИРОЛИ (ИЗ МАХРОВОЙ ТКАНИ)**

## 7. ЭЛАСТИЧНЫЙ ПОЛИРУЮЩИЙ КРУГ (ИЗ ШЕРСТЯНОЙ ТКАНИ)

\* Не все принадлежности, иллюстрированные или описанные включены в стандартную поставку.

## ТЕХНИЧЕСКИЕ ХАРАКТЕРИСТИКИ

Тип **WX856 WX856.X** (856-обозначение устройства, модель полировального устройства)

	<b>WX856</b>	<b>WX856.X**</b>
Напряжение	20V $\equiv$ Max***	
Скорость холостого хода	3000 об/мин	
Продолжительность работы	40мин	
Размер диска основания	254мм	
Вес устройства (bare tool)	2.0кг	

\*\* X=1-999, A-Z, M1-M9 используются только для разных инструментов. Безопасная соответствующая замена между данными моделями невозможна

\*\*\*Напряжение измерено без рабочей нагрузки. Первоначальное напряжение аккумулятора достигает максимум 20 В. Номинальное напряжение составляет 18 В.

## ИНФОРМАЦИЯ О ШУМЕ

Звуковое давление	$L_{pA} = 73.2 \text{ dB(A)}$
$K_{pA}$	3dB(A)
Акустическая мощность	$L_{wA} = 84.2 \text{ dB(A)}$
$K_{wA}$	3dB(A)

**Необходимо надевать  
защиту слуха**

## ИНФОРМАЦИЯ О ВИБРАЦИИ

Суммарные значения вибрации (трехкомпонентная векторная сумма), определенные согласно EN 62841:



Уровень вибрации:	$a_n = 3.904 \text{ m/s}^2$
	Погрешность $K = 1.5 \text{ m/s}^2$

Указанное общее значение вибрации и значение шума были измерены в соответствии со стандартным методом испытаний и могут использоваться для сравнения одного инструмента с другим.

Указанное общее значение вибрации и значение уровня шума также могут быть использованы при предварительной оценке воздействия.

**⚠ ПРЕДУПРЕЖДЕНИЕ:** Вибрация и уровень шума при фактическом использовании электроинструмента могут отличаться от указанного значения в зависимости от способов использования инструмента, особенно от вида обрабатываемой детали, зависимой от следующих примеров и других вариантов использования инструмента: Как используется инструмент и какие материалы режутся или сверлятся.

Инструмент в хорошем состоянии.

Использование правильного аксессуара для инструмента обеспечивает его резкости и исправности.

Плотность захвата на рукоятках и, если используются какие-либо аксессуары против вибрации и шума.

И инструмент используется в соответствии с дизайном и этими инструкциями.

**Этот инструмент может вызвать вибрационную болезнь рук из-за неправильного использования.**

**⚠ ПРЕДУПРЕЖДЕНИЕ:** Чтобы быть точным, оценка уровня воздействия в реальных условиях использования должна выполняться, учитывая все части рабочего цикла, такие как время, когда инструмент выключен и когда он работает вхолостую, но фактически не выполняет работу. Это может значительно снизить уровень воздействия в течение всего рабочего периода. Помогаем минимизировать вибрацию и шум.

Всегда используйте острые зубила, сверла и лезвия.

Поддерживайте этот инструмент в соответствии с этими инструкциями и сохраняйте его хорошо смазанным (при необходимости).

Если инструмент будет использоваться регулярно, купите антивибрационные и шумовые аксессуары.

Планируйте вашу работу для распределения дней использования электроинструмента.

Категория	Тип	Ёмкость
Аккумулятор 20В	WA3550	1.5Ah
	WA3550.1	1.5Ah
	WA3551	2.0Ah
	WA3551.1	2.0Ah
	WA3553	4.0Ah
Зарядное устройство 20 В	WA3760	0.4А
	WA3869	2.0А
	WA3880	2.0А

Мы рекомендуем Вам приобрести насадки в том же магазине, в котором вы приобрели инструмент. Подробную информацию можно найти на упаковке насадки. Персонал магазина может помочь вам и дать совет.

## ЭКСПЛУАТАЦИЯ



**ВНИМАНИЕ:** Перед использованием инструмента, внимательно прочитайте руководство по эксплуатации.

### ПРИМЕНЕНИЕ ПО НАЗНАЧЕНИЮ

Устройство предназначено для полировки пола, автомобильных и других поверхностей с покрытием.

#### 1. УСТАНОВКА/ИЗВЛЕЧЕНИЕ АККУМУЛЯТОРНОГО БЛОКА

**Установка:** Переведите переключатель в положение OFF (Выкл.) (O). Затем вставьте аккумуляторный блок в полировальное устройство. (см. рис. A1)

**Извлечение:** Переведите переключатель в положение OFF (Выкл.) (O). Затем нажмите на кнопку, чтобы извлечь аккумуляторный блок из полировального устройства. (см. рис. A3) Зарядка аккумулятора (см. рис. A2)

#### 2. ПЕРЕКЛЮЧАТЕЛЬ ON/OFF (СМ. РИС. В)

Всегда запускайте и останавливайте полировальное устройство на поверхности автомобиля. Для запуска полировального устройства переведите переключатель в положение ON (Вкл.) (I), а для его остановки переведите переключатель назад в положение OFF (O).

#### 3. НАДЕВАНИЕ КРУГА ДЛЯ НАНЕСЕНИЯ ПОЛИРОЛИ НА ПРОКЛАДКУ ИЗ ПЕНОМАТЕРИАЛА (СМ. РИС. С)

Переведите переключатель в положение OFF (O). Извлеките аккумуляторный блок из инструмента. Аккуратно натяните махровый круг на прокладку из пеноматериала. Убедитесь, что резинка круга плотно облегает прокладку из пеноматериала.

#### 4. РАСПРЕДЕЛЕНИЕ ПОЛИРОЛИ

Равномерно распределите столовую ложку полироли по всей поверхности круга. Не наносите полироль непосредственно на автомобильную поверхность. Большинство полиролей выпускаются либо в виде пасты, либо в жидком виде. Прочитайте все соответствующие инструкции по нанесению и надлежащему использованию полироли перед её применением.

#### Нанесение полировальной пасты (см. рис. D1)

Для правильного нанесения одной круглой чайной ложки пасты на поверхность круга используется плоский тупой твёрдый предмет. Не наносите пасту непосредственно на полируемую поверхность. Равномерно распределите пасту по всей

поверхности круга.

### **Нанесение полировальной жидкости (см. рис. D2)**

Нанесите в центр круга количество жидкости размером с 50-центовую монету, а затем сделайте ещё два витка, каждый из которых должен быть чуть больше предыдущего. После первого использования круг впитывает меньшее количество полироли. При последующем использовании круга наносите на него два витка полироли (около половины от исходного количества).

**ПРИМЕЧАНИЕ:** Следите за тем, чтобы не использовать за один раз избыточное количество полироли. Пропитанная жидкостью прокладка из пеноматериала служит значительно меньше.

### **5. ИСПОЛЬЗОВАНИЕ ПОЛИРОВАЛЬНОГО УСТРОЙСТВА НА АВТОМОБИЛЕ**

Надёжно разместите полировальное устройство на поверхности автомобиля и переведите переключатель ON/OFF в положение ON (I). Всегда останавливайте и запускайте полировальное устройство на полируемой поверхности. Начинаяте полировку с больших плоских поверхностей, таких как капот, багажник и крыша. Во время перезарядки прокладки поглощает меньше вещества. Перемещайте устройство по поверхности широкими плавными перекрёстными движениями. Не прижимайте полировальное устройство к поверхности. Выполняйте процесс только

средством кругового движения прокладки и круга. После завершения полировки плоских поверхностей отполируйте криволинейные поверхности, такие как задние крылья и автомобильные двери.

Перемещайте устройство небольшими круговыми движениями. После нанесения полироли на всю поверхность выключите полировальное устройство. Не отрывайте полировальное устройство от поверхности, пока прокладка не прекратит своё вращение. (см. рис. E1)

**ПРИМЕЧАНИЕ:** Также крышу и боковые части автомобиля удобно полировать одной рукой. (см. рис. E 2)

### **Отполируйте участки с меньшей площадью поверхности (см. рис. E3)**

В труднодоступных местах, таких как нижняя сторона бамперов или боковые зеркала, наносите полироль в ручную

### **6. ЗАМЕНА КРУГА, НАДЕТОГО НА ПРОКЛАДКУ ИЗ ПЕНОМАТЕРИАЛА, НА ПОЛИРОВАЛЬНЫЙ (СМ. РИС. F)**

Натяните шерстяной круг на прокладку из пеноматериала. Убедитесь, что резинка круга плотно облегает прокладку из пеноматериала.

### **7. ПОЛИРОВКА – УДАЛЕНИЕ ВОСКА С ПОВЕРХНОСТИ (СМ. РИС. G)**

**ПРИМЕЧАНИЕ:** Дождитесь, когда воск застынет на автомобильной поверхности. Удаление воска производится в порядке его нанесения. Передвиньте переключатель полировального

устройства в положение ON. Производите полировку всей поверхности, пока засохший воск не будет удалён полностью. Периодически снимайте круг и вытряхивайте из него частицы воска. Избыточное количество частиц воска в круге приведёт к возникновению полос. Если вам не удаётся хорошо очистить круг, то, возможно, вам придётся осуществить его замену, чтобы предотвратить появление полос. Для произведения окончательной полировки используйте чистый круг.

**ПРИМЕЧАНИЕ:** Для получения наилучших результатов при удалении воска совершайте длинные, размашистые перекрёстные движения.

## **СОВЕТЫ ПО ЭКСПЛУАТАЦИИ ПОЛИРОВАЛЬНОГО УСТРОЙСТВА**

1. Для получения наилучших результатов поверхность должна быть чистой и сухой. Большинство высокогляцевых поверхностей можно очищать слабым мыльным раствором. Для удаления стойких загрязнений, таких как дорожная смола, смазочные материалы и пятна от насекомых используйте мягкий раствор аммиака, например, который используется в стеклоочистителях. Перед применением любого чистящего средства следуйте инструкциям по его применению.

2. Не препятствуйте работе полировального устройства, не передвигайте его слишком резко и не прилагайте чрезмерных усилий к нему. Желательно перемещать его лёгкими круговыми движениями. Случайные круговые движения во время использования данного инструмента лучше всего получаются при минимальном давлении на него. Чрезмерное нажатие замедляет ход устройства и влияет на качество его работы.

3. И тем не менее самой распространённой ошибкой является использование избыточного количества воска. При впитывании прокладкой слишком большого количества воска срок её службы сильно сокращается, а процесс полировки становится сложнее и занимает больше времени.

4. При постоянном слетании круга с прокладки замените его на новый.

5. Если полировка воска представляется затруднительной, то, возможно, вы использовали слишком большое количество воска. Наносите воск тонким ровным слоем. Избыточное количество воска не даёт дополнительной защиты, а лишь только усложняет процесс его удаления.

## **УСТРАНЕНИЕ НЕИСПРАВНОСТЕЙ**

1. Если полировальное устройство не полирует поверхность, проверьте полировальный круг. Если



круг износился, замените его на новый и повторите попытку.

2. Если вам не удалось устранить неисправность, отправьте инструмент официальному дилеру для осуществления ремонта.

## ТЕХНИЧЕСКОЕ ОБСЛУЖИВАНИЕ

**Снимите аккумуляторную батарею с инструмента перед выполнением любых наладочных работ, технического обслуживания или ремонта.**

Электроинструмент не требует дополнительной смазки или обслуживания.

В электроинструменте отсутствуют детали, подлежащие обслуживанию пользователем. Никогда не используйте воду или химические чистящие средства для чистки электроинструмента. Протирайте его сухой тканью. Всегда храните электроинструмент в сухом месте. Содержите в чистоте вентиляционные отверстия двигателя. Очищайте от пыли все рабочие органы управления. Иногда через вентиляционные отверстия вы можете увидеть искры. Это нормально и не повредит ваш электроинструмент.

## ДЛЯ АККУМУЛЯТОРНЫХ ИНСТРУМЕНТОВ

Диапазон температур окружающей среды для использования и хранения инструмента и аккумулятора - 0°C-45°C(32°F-113°F).

Рекомендуемый диапазон температур окружающей среды для системы зарядки во время зарядки- 0°C-40°C (32°F-104°F).

## ОХРАНА ОКРУЖАЮЩЕЙ СРЕДЫ



### **Переработка отходов**

Машина, ее аксессуары и упаковочные материалы должны быть отсортированы для экологически чистой переработки.

**Пластиковые компоненты имеют маркировку для вторичной переработки.**







**EAC**

Импортер: ООО «ПОЗИТЕК-ЕВРАЗИЯ»

Адрес: Российская Федерация, 117342, г. Москва, ул. Бутлерова, д. 17, этаж 3 ком 67

Страна производства: КНР

Изготовитель: Позитек Технолоджи (КНР) Ко. Лтд.

Адрес: Донгванг Роуд, 18, Сучжоу Индастриал Парк, Цзянсу, КНР

Срок службы изделия: 6 лет

Срок гарантии: 2 года

Дата производства изделия: указана на изделии

Телефон сервисной службы ООО «ПОЗИТЕК-ЕВРАЗИЯ»: 7 (495) 136-83-96

Электронная почта [service.ru@positecgroup.com](mailto:service.ru@positecgroup.com)

**WORX**  
you've got the power

**[www.worx.com](http://www.worx.com)**

Copyright © 2021, Positec. All Rights Reserved.  
AR01529801