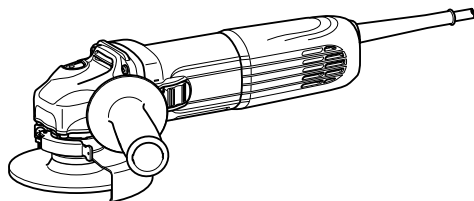
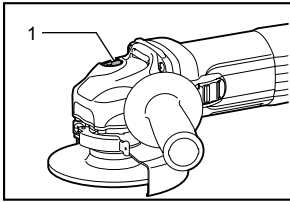




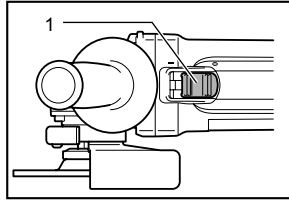
<b>GB</b>	<b>Angle Grinder</b>	<b>INSTRUCTION MANUAL</b>
<b>S</b>	<b>Vinkelslipmaskin</b>	<b>BRUKSANVISNING</b>
<b>N</b>	<b>Vinkelsliper</b>	<b>BRUKSANVISNING</b>
<b>FIN</b>	<b>Kulmahiomakone</b>	<b>KÄYTTÖOHJE</b>
<b>LV</b>	<b>Leņķa slīpmašīna</b>	<b>LIETOŠANAS INSTRUKCIJA</b>
<b>LT</b>	<b>Kampinis šlifuoklis</b>	<b>NAUDOJIMO INSTRUKCIJA</b>
<b>EE</b>	<b>Nurklihvkäi</b>	<b>KASUTUSJUHEND</b>
<b>RUS</b>	<b>Угловая шлифмашина</b>	<b>РУКОВОДСТВО ПО ЭКСПЛУАТАЦИИ</b>

**GA4040**  
**GA4540**  
**GA5040**  
**GA6040**

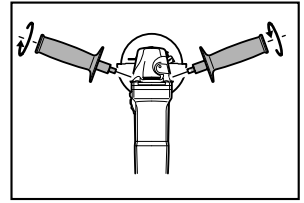




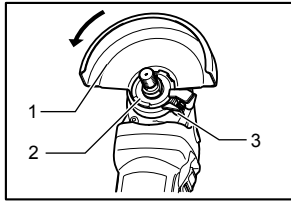
**1** 012725



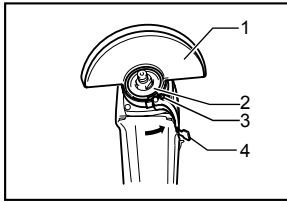
**2** 012728



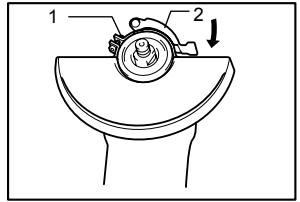
**3** 012724



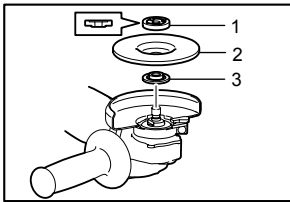
**4** 012733



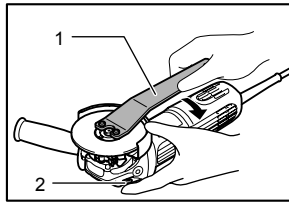
**5** 009430



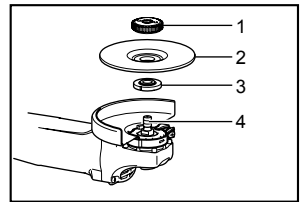
**6** 009431



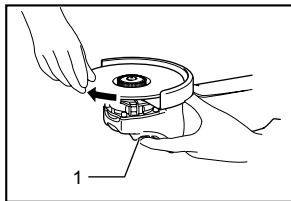
**7** 012802



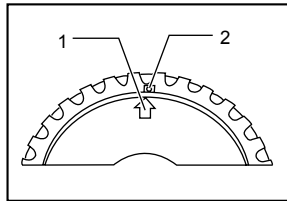
**8** 012727



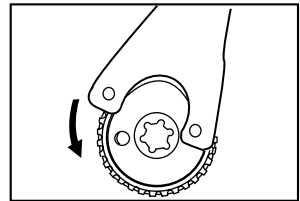
**9** 012772



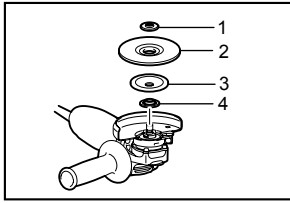
**10** 012773



**11** 010846

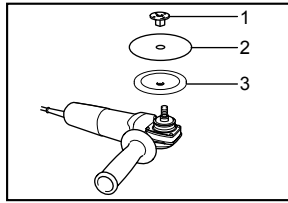


**12** 010863



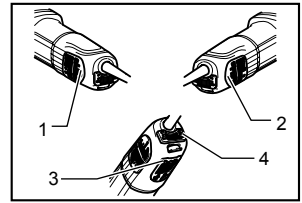
13

012740



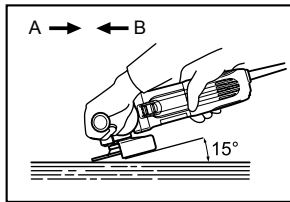
14

012742



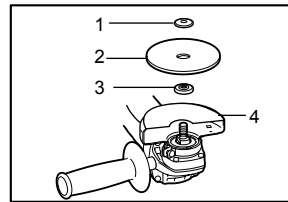
15

012731



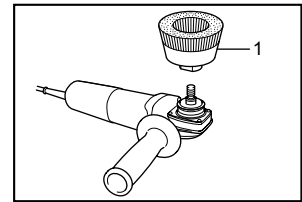
16

012730



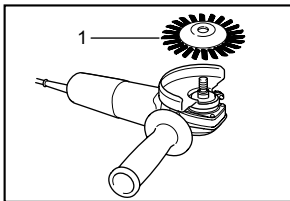
17

010855



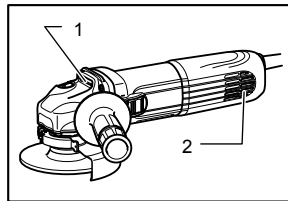
18

012743



19

012744



20

012732

## ENGLISH (Original instructions)

### Explanation of general view

1-1. Shaft lock	8-2. Shaft lock	15-1. Marking A
2-1. Slide switch	9-1. Ezynut	15-2. Marking B
4-1. Wheel guard	9-2. Abrasive wheel	15-3. Marking C
4-2. Bearing box	9-3. Inner flange	15-4. Marking D
4-3. Screw	9-4. Spindle	17-1. Lock nut
5-1. Wheel guard	10-1. Shaft lock	17-2. Abrasive cut-off wheel/diamond wheel
5-2. Bearing box	11-1. Arrow	17-3. Inner flange
5-3. Screw	11-2. Notch	17-4. Wheel guard for abrasive cut-off wheel/diamond wheel
5-4. Lever	13-1. Lock nut	18-1. Wire cup brush
6-1. Screw	13-2. Flex wheel	19-1. Wire wheel brush
6-2. Lever	13-3. Plastic pad	20-1. Exhaust vent
7-1. Lock nut	13-4. Inner flange	20-2. Inhalation vent
7-2. Depressed center wheel	14-1. Sanding lock nut	
7-3. Inner flange	14-2. Abrasive disc	
8-1. Lock nut wrench	14-3. Rubber pad	

## SPECIFICATIONS

Model	GA4040	GA4540	GA5040	GA6040
Wheel diameter	100 mm (4")	115 mm (4-1/2")	125 mm (5")	150 mm (6")
Max. wheel thickness	6.4 mm			
Spindle thread	M10	M14 or 5/8" (country specific)		
Rated speed (n) / No load speed (n <sub>0</sub> )	11,000 min <sup>-1</sup>	11,000 min <sup>-1</sup>	11,000 min <sup>-1</sup>	9,000 min <sup>-1</sup>
Overall length	303 mm	303 mm	303 mm	303 mm
Net weight	2.3 kg	2.4 kg	2.4 kg	2.5 kg
Safety class	II/III			

- Due to our continuing program of research and development, the specifications herein are subject to change without notice.
- Specifications may differ from country to country.
- Weight according to EPTA-Procedure 01/2003

ENE048-1

### Intended use

The tool is intended for grinding, sanding and cutting of metal and stone materials without the use of water.

ENF002-2

### Power supply

The tool should be connected only to a power supply of the same voltage as indicated on the nameplate, and can only be operated on single-phase AC supply. They are double-insulated and can, therefore, also be used from sockets without earth wire.

ENG905-1

### Noise

The typical A-weighted noise level determined according to EN60745:

#### Model GA4040, GA4540, GA5040

Sound pressure level (L<sub>pA</sub>) : 86 dB(A)

Sound power level (L<sub>WA</sub>) : 97 dB(A)

Uncertainty (K) : 3 dB(A)

### Model GA6040

Sound pressure level (L<sub>pA</sub>) : 87 dB(A)

Sound power level (L<sub>WA</sub>) : 98 dB(A)

Uncertainty (K) : 3 dB(A)

### Wear ear protection

ENG900-1

### Vibration

The vibration total value (tri-axial vector sum) determined according to EN60745:

#### Model GA4040

Work mode : surface grinding with normal side grip

Vibration emission (a<sub>h,AG</sub>) : 6.0 m/s<sup>2</sup>

Uncertainty (K) : 1.5 m/s<sup>2</sup>

Work mode : surface grinding with anti vibration side grip

Vibration emission (a<sub>h,AG</sub>) : 5.5 m/s<sup>2</sup>

Uncertainty (K) : 1.5 m/s<sup>2</sup>

Work mode : disc sanding with normal side grip  
Vibration emission ( $a_{h,DS}$ ) : 2.5 m/s<sup>2</sup> or less  
Uncertainty (K) : 1.5 m/s<sup>2</sup>

Work mode : disc sanding with anti vibration side grip  
Vibration emission ( $a_{h,DS}$ ) : 2.5 m/s<sup>2</sup> or less  
Uncertainty (K) : 1.5 m/s<sup>2</sup>

#### Model GA4540

Work mode : surface grinding with normal side grip  
Vibration emission ( $a_{h,AG}$ ) : 6.5 m/s<sup>2</sup>  
Uncertainty (K) : 1.5 m/s<sup>2</sup>

Work mode : surface grinding with anti vibration side grip  
Vibration emission ( $a_{h,AG}$ ) : 6.0 m/s<sup>2</sup>  
Uncertainty (K) : 1.5 m/s<sup>2</sup>

Work mode : disc sanding with normal side grip  
Vibration emission ( $a_{h,DS}$ ) : 2.5 m/s<sup>2</sup> or less  
Uncertainty (K) : 1.5 m/s<sup>2</sup>

Work mode : disc sanding with anti vibration side grip  
Vibration emission ( $a_{h,DS}$ ) : 2.5 m/s<sup>2</sup> or less  
Uncertainty (K) : 1.5 m/s<sup>2</sup>

#### Model GA5040, GA6040

Work mode : surface grinding with normal side grip  
Vibration emission ( $a_{h,AG}$ ) : 7.0 m/s<sup>2</sup>  
Uncertainty (K) : 1.5 m/s<sup>2</sup>

Work mode : surface grinding with anti vibration side grip  
Vibration emission ( $a_{h,AG}$ ) : 6.0 m/s<sup>2</sup>  
Uncertainty (K) : 1.5 m/s<sup>2</sup>

Work mode : disc sanding with normal side grip  
Vibration emission ( $a_{h,DS}$ ) : 2.5 m/s<sup>2</sup> or less  
Uncertainty (K) : 1.5 m/s<sup>2</sup>

Work mode : disc sanding with anti vibration side grip  
Vibration emission ( $a_{h,DS}$ ) : 2.5 m/s<sup>2</sup> or less  
Uncertainty (K) : 1.5 m/s<sup>2</sup>

ENG902-1

- The declared vibration emission value has been measured in accordance with the standard test method and may be used for comparing one tool with another.
- The declared vibration emission value may also be used in a preliminary assessment of exposure.
- The declared vibration emission value is used for main applications of the power tool. However if the power tool is used for other applications, the vibration emission value may be different.

#### WARNING:

- The vibration emission during actual use of the power tool can differ from the declared emission value depending on the ways in which the tool is used.
- Be sure to identify safety measures to protect the operator that are based on an estimation of exposure in the actual conditions of use (taking account of all parts of the operating cycle such as the times when the tool is switched off and when it is running idle in addition to the trigger time).

ENH101-16

#### For European countries only

#### EC Declaration of Conformity

**We Makita Corporation as the responsible manufacturer declare that the following Makita machine(s):**

Designation of Machine:

Angle Grinder

Model No./ Type: GA4040, GA4540, GA5040, GA6040

are of series production and

**Conforms to the following European Directives:**

2006/42/EC

And are manufactured in accordance with the following standards or standardised documents:

EN60745

The technical documentation is kept by:

Makita International Europe Ltd.

Technical Department,

Michigan Drive, Tongwell,

Milton Keynes, Bucks MK15 8JD, England

17.8.2011



000230

Tomoyasu Kato

Director


Makita Corporation

3-11-8, Sumiyoshi-cho,

Anjo, Aichi, 446-8502, JAPAN

GEA010-1

## General Power Tool Safety Warnings

 **WARNING** Read all safety warnings and all instructions. Failure to follow the warnings and instructions may result in electric shock, fire and/or serious injury.

**Save all warnings and instructions for future reference.**

## GRINDER SAFETY WARNINGS

### Safety Warnings Common for Grinding, Sanding, Wire Brushing, or Abrasive Cutting-Off Operations:

1. **This power tool is intended to function as a grinder, sander, wire brush or cut-off tool. Read all safety warnings, instructions, illustrations and specifications provided with this power tool.** Failure to follow all instructions listed below may result in electric shock, fire and/or serious injury.
  2. **Operations such as polishing are not recommended to be performed with this power tool.** Operations for which the power tool was not designed may create a hazard and cause personal injury.
  3. **Do not use accessories which are not specifically designed and recommended by the tool manufacturer.** Just because the accessory can be attached to your power tool, it does not assure safe operation.
  4. **The rated speed of the accessory must be at least equal to the maximum speed marked on the power tool.** Accessories running faster than their rated speed can break and fly apart.
  5. **The outside diameter and the thickness of your accessory must be within the capacity rating of your power tool.** Incorrectly sized accessories cannot be adequately guarded or controlled.
  6. **Threaded mounting of accessories must match the grinder spindle thread. For accessories mounted by flanges, the arbour hole of the accessory must fit the locating diameter of the flange.** Accessories that do not match the mounting hardware of the power tool will run out of balance, vibrate excessively and may cause loss of control.
  7. **Do not use a damaged accessory. Before each use inspect the accessory such as abrasive wheels for chips and cracks, backing pad for cracks, tear or excess wear, wire brush for loose or cracked wires. If power tool or accessory is dropped, inspect for damage or install an undamaged accessory. After inspecting and installing an accessory, position yourself and bystanders away from the plane of the rotating accessory and run the power tool at maximum no-load speed for one minute.** Damaged accessories will normally break apart during this test time.
  8. **Wear personal protective equipment. Depending on application, use face shield, safety goggles or safety glasses. As appropriate, wear dust mask, hearing protectors, gloves and workshop apron capable of stopping small abrasive or**
- workpiece fragments. The eye protection will be capable of stopping flying debris generated by various operations. The dust mask or respirator must be capable of filtering particles generated by your operation. Prolonged exposure to high intensity noise may cause hearing loss.
  9. **Keep bystanders a safe distance away from work area. Anyone entering the work area must wear personal protective equipment.** Fragments of workpiece or of a broken accessory may fly away and cause injury beyond immediate area of operation.
  10. **Hold the power tool by insulated gripping surfaces only, when performing an operation where the cutting accessory may contact hidden wiring or its own cord.** Cutting accessory contacting a "live" wire may make exposed metal parts of the power tool "live" and could give the operator an electric shock.
  11. **Position the cord clear of the spinning accessory.** If you lose control, the cord may be cut or snagged and your hand or arm may be pulled into the spinning accessory.
  12. **Never lay the power tool down until the accessory has come to a complete stop.** The spinning accessory may grab the surface and pull the power tool out of your control.
  13. **Do not run the power tool while carrying it at your side.** Accidental contact with the spinning accessory could snag your clothing, pulling the accessory into your body.
  14. **Regularly clean the power tool's air vents.** The motor's fan will draw the dust inside the housing and excessive accumulation of powdered metal may cause electrical hazards.
  15. **Do not operate the power tool near flammable materials.** Sparks could ignite these materials.
  16. **Do not use accessories that require liquid coolants.** Using water or other liquid coolants may result in electrocution or shock.

### Kickback and Related Warnings

Kickback is a sudden reaction to a pinched or snagged rotating wheel, backing pad, brush or any other accessory. Pinching or snagging causes rapid stalling of the rotating accessory which in turn causes the uncontrolled power tool to be forced in the direction opposite of the accessory's rotation at the point of the binding.

For example, if an abrasive wheel is snagged or pinched by the workpiece, the edge of the wheel that is entering into the pinch point can dig into the surface of the material causing the wheel to climb out or kick out. The wheel may either jump toward or away from the operator, depending on direction of the wheel's movement at the point of pinching. Abrasive wheels may also break under these conditions.

Kickback is the result of power tool misuse and/or incorrect operating procedures or conditions and can be avoided by taking proper precautions as given below.

- a) **Maintain a firm grip on the power tool and position your body and arm to allow you to resist kickback forces. Always use auxiliary handle, if provided, for maximum control over kickback or torque reaction during start-up.** The operator can control torque reactions or kickback forces, if proper precautions are taken.
- b) **Never place your hand near the rotating accessory.** Accessory may kickback over your hand.
- c) **Do not position your body in the area where power tool will move if kickback occurs.** Kickback will propel the tool in direction opposite to the wheel's movement at the point of snagging.
- d) **Use special care when working corners, sharp edges etc. Avoid bouncing and snagging the accessory.** Corners, sharp edges or bouncing have a tendency to snag the rotating accessory and cause loss of control or kickback.
- e) **Do not attach a saw chain woodcarving blade or toothed saw blade.** Such blades create frequent kickback and loss of control.

#### **Safety Warnings Specific for Grinding and Abrasive Cutting-Off Operations:**

- a) **Use only wheel types that are recommended for your power tool and the specific guard designed for the selected wheel.** Wheels for which the power tool was not designed cannot be adequately guarded and are unsafe.
- b) **The grinding surface of centre depressed wheels must be mounted below the plane of the guard lip.** An improperly mounted wheel that projects through the plane of the guard lip cannot be adequately protected.
- c) **The guard must be securely attached to the power tool and positioned for maximum safety, so the least amount of wheel is exposed towards the operator.** The guard helps to protect the operator from broken wheel fragments, accidental contact with wheel and sparks that could ignite clothing.
- d) **Wheels must be used only for recommended applications. For example: do not grind with the side of cut-off wheel.** Abrasive cut-off wheels are intended for peripheral grinding, side forces applied to these wheels may cause them to shatter.
- e) **Always use undamaged wheel flanges that are of correct size and shape for your selected wheel.** Proper wheel flanges support the wheel thus reducing the possibility of wheel breakage. Flanges for cut-off wheels may be different from grinding wheel flanges.
- f) **Do not use worn down wheels from larger power tools.** Wheel intended for larger power tool is not suitable for the higher speed of a smaller tool and may burst.

#### **Additional Safety Warnings Specific for Abrasive Cutting-Off Operations:**

- a) **Do not "jam" the cut-off wheel or apply excessive pressure. Do not attempt to make an excessive depth of cut.** Overstressing the wheel increases the loading and susceptibility to twisting or binding of the wheel in the cut and the possibility of kickback or wheel breakage.
- b) **Do not position your body in line with and behind the rotating wheel.** When the wheel, at the point of operation, is moving away from your body, the possible kickback may propel the spinning wheel and the power tool directly at you.
- c) **When wheel is binding or when interrupting a cut for any reason, switch off the power tool and hold the power tool motionless until the wheel comes to a complete stop. Never attempt to remove the cut-off wheel from the cut while the wheel is in motion otherwise kickback may occur.** Investigate and take corrective action to eliminate the cause of wheel binding
- d) **Do not restart the cutting operation in the workpiece. Let the wheel reach full speed and carefully re-enter the cut.** The wheel may bind, walk up or kickback if the power tool is restarted in the workpiece.
- e) **Support panels or any oversized workpiece to minimize the risk of wheel pinching and kickback.** Large workpieces tend to sag under their own weight. Supports must be placed under the workpiece near the line of cut and near the edge of the workpiece on both sides of the wheel.
- f) **Use extra caution when making a "pocket cut" into existing walls or other blind areas.** The protruding wheel may cut gas or water pipes, electrical wiring or objects that can cause kickback.

#### **Safety Warnings Specific for Sanding Operations:**

- a) **Do not use excessively oversized sanding disc paper. Follow manufacturers recommendations, when selecting sanding paper.** Larger sanding paper extending beyond the sanding pad presents a laceration hazard and may cause snagging, tearing of the disc or kickback.

#### **Safety Warnings Specific for Wire Brushing Operations:**

- a) **Be aware that wire bristles are thrown by the brush even during ordinary operation. Do not overstress the wires by applying excessive load to the brush.** The wire bristles can easily penetrate light clothing and/or skin.
- b) **If the use of a guard is recommended for wire brushing, do not allow interference of the wire wheel or brush with the guard.** Wire wheel or brush may expand in diameter due to work load and centrifugal forces.

### Additional safety warnings:

17. **When using depressed centre grinding wheels, be sure to use only fiberglass-reinforced wheels.**
18. **NEVER USE Stone Cup type wheels with this grinder.** This grinder is not designed for these types of wheels and the use of such a product may result in serious personal injury.
19. **Be careful not to damage the spindle, the flange (especially the installing surface) or the lock nut.** Damage to these parts could result in wheel breakage.
20. **Make sure the wheel is not contacting the workpiece before the switch is turned on.**
21. **Before using the tool on an actual workpiece, let it run for a while. Watch for vibration or wobbling that could indicate poor installation or a poorly balanced wheel.**
22. **Use the specified surface of the wheel to perform the grinding.**
23. **Do not leave the tool running. Operate the tool only when hand-held.**
24. **Do not touch the workpiece immediately after operation; it may be extremely hot and could burn your skin.**
25. **Observe the instructions of the manufacturer for correct mounting and use of wheels. Handle and store wheels with care.**
26. **Do not use separate reducing bushings or adaptors to adapt large hole abrasive wheels.**
27. **Use only flanges specified for this tool.**
28. **For tools intended to be fitted with threaded hole wheel, ensure that the thread in the wheel is long enough to accept the spindle length.**
29. **Check that the workpiece is properly supported.**
30. **Pay attention that the wheel continues to rotate after the tool is switched off.**
31. **If working place is extremely hot and humid, or badly polluted by conductive dust, use a short-circuit breaker (30 mA) to assure operator safety.**
32. **Do not use the tool on any materials containing asbestos.**
33. **When use cut-off wheel, always work with the dust collecting wheel guard required by domestic regulation.**
34. **Cutting discs must not be subjected to any lateral pressure.**

## SAVE THESE INSTRUCTIONS.

### **⚠WARNING:**

**DO NOT** let comfort or familiarity with product (gained from repeated use) replace strict adherence to safety rules for the subject product. **MISUSE** or failure to follow the safety rules stated in this instruction manual may cause serious personal injury.

## FUNCTIONAL DESCRIPTION

### **⚠CAUTION:**

- Always be sure that the tool is switched off and unplugged before adjusting or checking function on the tool.

### **Shaft lock**

#### **Fig.1**

### **⚠CAUTION:**

- Never actuate the shaft lock when the spindle is moving. The tool may be damaged.

Press the shaft lock to prevent spindle rotation when installing or removing accessories.

### **Switch action**

#### **Fig.2**

### **⚠CAUTION:**

- Before plugging in the tool, always check to see that the slide switch actuates properly and returns to the "OFF" position when the rear of the slide switch is depressed.
- Switch can be locked in "ON" position for ease of operator comfort during extended use. Apply caution when locking tool in "ON" position and maintain firm grasp on tool.

To start the tool, slide the slide switch toward the "I (ON)" position by pushing the rear of the slide switch. For continuous operation, press the front of the slide switch to lock it.

To stop the tool, press the rear of the slide switch, then slide it toward the "O (OFF)" position.

## ASSEMBLY

### **⚠CAUTION:**

- Always be sure that the tool is switched off and unplugged before carrying out any work on the tool.

### **Installing side grip (handle)**

#### **Fig.3**

### **⚠CAUTION:**

- Always be sure that the side grip is installed securely before operation.

Screw the side grip securely on the position of the tool as shown in the figure.

### **Installing or removing wheel guard (For depressed center wheel, flap disc, flex wheel, wire wheel brush / abrasive cut-off wheel, diamond wheel)**

### **⚠WARNING:**

- When using a depressed center wheel, flap disc, flex wheel or wire wheel brush, the wheel guard must be fitted on the tool so that the closed side of the guard always points toward the operator.



- When using an abrasive cut-off / diamond wheel, be sure to use only the special wheel guard designed for use with cut-off wheels. (In some European countries, when using a diamond wheel, the ordinary guard can be used. Follow the regulations in your country.)

#### For tool with locking screw type wheel guard

##### Fig.4

Mount the wheel guard with the protrusions on the wheel guard band aligned with the notches on the bearing box. Then rotate the wheel guard around 180 ° counterclockwise. Be sure to tighten the screw securely. To remove wheel guard, follow the installation procedure in reverse.

#### For tool with clamp lever type wheel guard

##### Fig.5

Pull the lever in the direction of the arrow after loosening the screw. Mount the wheel guard with the protrusions on the wheel guard band aligned with the notches on the bearing box. Then rotate the wheel guard around 180 °.

##### Fig.6

Tighten the wheel guard with fastening the screw after pulling lever in the direction of the arrow. The setting angle of the wheel guard can be adjusted with the lever. To remove wheel guard, follow the installation procedure in reverse.

#### Installing or removing depressed center wheel or flap disc (optional accessory)

##### ⚠WARNING:

- When using a depressed center wheel or flap disc, the wheel guard must be fitted on the tool so that the closed side of the guard always points toward the operator.

##### Fig.7

Mount the inner flange onto the spindle. Fit the wheel/disc on the inner flange and screw the lock nut onto the spindle.

##### Fig.8

To tighten the lock nut, press the shaft lock firmly so that the spindle cannot revolve, then use the lock nut wrench and securely tighten clockwise.

To remove the wheel, follow the installation procedure in reverse.

#### Super flange (Optional accessory)

Models with the letter F are standard-equipped with Super flange. Only 1/3 of efforts needed to undo lock nut, compared with conventional type.

#### Installing or removing Ezynut (optional accessory)

##### ⚠CAUTION:

- Do not use Ezynut with Super Flange or angle grinder with "F" on the end of the model No. Those

flanges are so thick that the entire thread cannot be retained by the spindle.

##### Fig.9

Mount inner flange, abrasive wheel and Ezynut onto the spindle so that Makita Logo on Ezynut faces outside.

##### Fig.10

Press shaft lock firmly and tighten Ezynut by turning the abrasive wheel clockwise as far as it turns.

Turn the outside ring of Ezynut counterclockwise to loosen.

##### Fig.11

##### Fig.12

##### NOTE:

- Ezynut can be loosened by hand as long as the arrow points the notch. Otherwise a lock nut wrench is required to loosen it. Insert one pin of the wrench into a hole and turn Ezynut counterclockwise.

#### Installing or removing flex wheel (optional accessory)

##### ⚠WARNING:

- Always use supplied guard when flex wheel is on tool. Wheel can shatter during use and guard helps to reduce chances of personal injury.

##### Fig.13

Follow instructions for depressed center wheel but also use plastic pad over wheel. See order of assembly on accessories page in this manual.

#### Installing or removing abrasive disc (optional accessory)

##### NOTE:

- Use sander accessories specified in this manual. These must be purchased separately.

##### Fig.14

Mount the rubber pad onto the spindle. Fit the disc on the rubber pad and screw the sanding lock nut onto the spindle. To tighten the sanding lock nut, press the shaft lock firmly so that the spindle cannot revolve, then use the lock nut wrench and securely tighten clockwise.

To remove the disc, follow the installation procedure in reverse.

#### Installing or removing dust cover attachment (Optional accessory)

##### ⚠WARNING:

- Always be sure that the tool is switched off and unplugged before installing or removing the dust cover attachment. Failure to do so causes damage to the tool or a personal injury.

There are four pieces of dust cover attachment and each is used in one of different positions.

**Fig.15**

Set the dust cover attachment so that the marking (A, B, C or D) places as shown. Snap its pins in the vents. Dust cover attachment can be removed by hand.

**NOTE:**

- Clean out the dust cover attachment when it is clogged with dust or foreign matters. Continuing operation with a clogged dust cover attachment will damage the tool.

**OPERATION****⚠WARNING:**

- It should never be necessary to force the tool. The weight of the tool applies adequate pressure. Forcing and excessive pressure could cause dangerous wheel breakage.
- ALWAYS replace wheel if tool is dropped while grinding.
- NEVER bang or hit grinding disc or wheel onto work.
- Avoid bouncing and snagging the wheel, especially when working corners, sharp edges etc. This can cause loss of control and kickback.
- NEVER use tool with wood cutting blades and other saw blades. Such blades when used on a grinder frequently kick and cause loss of control leading to personal injury.

**⚠CAUTION:**

- Never switch on the tool when it is in contact with the workpiece, it may cause an injury to operator.
- Always wear safety goggles or a face shield during operation.
- After operation, always switch off the tool and wait until the wheel has come to a complete stop before putting the tool down.

**Grinding and sanding operation****Fig.16**

ALWAYS hold the tool firmly with one hand on housing and the other on the side handle. Turn the tool on and then apply the wheel or disc to the workpiece.

In general, keep the edge of the wheel or disc at an angle of about 15° to the workpiece surface.

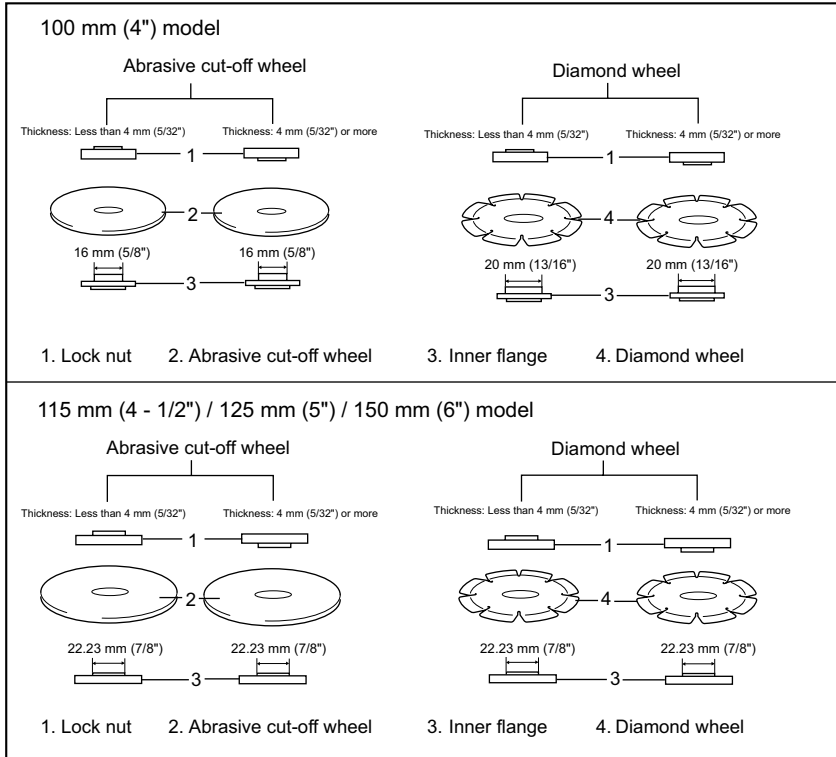
During the break-in period with a new wheel, do not work the grinder in the B direction or it will cut into the workpiece. Once the edge of the wheel has been rounded off by use, the wheel may be worked in both A and B direction.

## Operation with abrasive cut-off / diamond wheel (optional accessory)

Fig.17

The direction for mounting the lock nut and the inner flange varies by wheel thickness. Refer to the table below.

Refer to the table below.



012746

### ⚠WARNING:

- When using an abrasive cut-off / diamond wheel, be sure to use only the special wheel guard designed for use with cut-off wheels. (In some European countries, when using a diamond wheel, the ordinary guard can be used. Follow the regulations in your country.)
- NEVER use cut-off wheel for side grinding.
- Do not "jam" the wheel or apply excessive pressure. Do not attempt to make an excessive depth of cut. Overstressing the wheel increases the loading and susceptibility to twisting or binding of the wheel in the cut and the possibility of kickback, wheel breakage and overheating of the motor may occur.

- Do not start the cutting operation in the workpiece. Let the wheel reach full speed and carefully enter into the cut moving the tool forward over the workpiece surface. The wheel may bind, walk up or kickback if the power tool is started in the workpiece.
- During cutting operations, never change the angle of the wheel. Placing side pressure on the cut-off wheel (as in grinding) will cause the wheel to crack and break, causing serious personal injury.
- A diamond wheel shall be operated perpendicular to the material being cut.

### Operation with wire cup brush (optional accessory)

#### ⚠CAUTION:

- Check operation of brush by running tool with no load, insuring that no one is in front of or in line with brush.

- Do not use brush that is damaged, or which is out of balance. Use of damaged brush could increase potential for injury from contact with broken brush wires.

**Fig.18**

Unplug tool and place it upside down allowing easy access to spindle. Remove any accessories on spindle. Thread wire cup brush onto spindle and tighten with supplied wrench. When using brush, avoid applying too much pressure which causes over bending of wires, leading to premature breakage.

### **Operation with wire wheel brush (optional accessory)**

#### **⚠CAUTION:**

- Check operation of wire wheel brush by running tool with no load, insuring that no one is in front of or in line with the wire wheel brush.
- Do not use wire wheel brush that is damaged, or which is out of balance. Use of damaged wire wheel brush could increase potential for injury from contact with broken wires.
- ALWAYS use guard with wire wheel brushes, assuring diameter of wheel fits inside guard. Wheel can shatter during use and guard helps to reduce chances of personal injury.

**Fig.19**

Unplug tool and place it upside down allowing easy access to spindle. Remove any accessories on spindle. Thread wire wheel brush onto spindle and tighten with the wrenches.

When using wire wheel brush, avoid applying too much pressure which causes over bending of wires, leading to premature breakage.

## **MAINTENANCE**

#### **⚠CAUTION:**

- Always be sure that the tool is switched off and unplugged before attempting to perform inspection or maintenance.
- Never use gasoline, benzine, thinner, alcohol or the like. Discoloration, deformation or cracks may result.

**Fig.20**

The tool and its air vents have to be kept clean. Regularly clean the tool's air vents or whenever the vents start to become obstructed.

To maintain product SAFETY and RELIABILITY, repairs, carbon brush inspection and replacement, any other maintenance or adjustment should be performed by Makita Authorized Service Centers, always using Makita replacement parts.

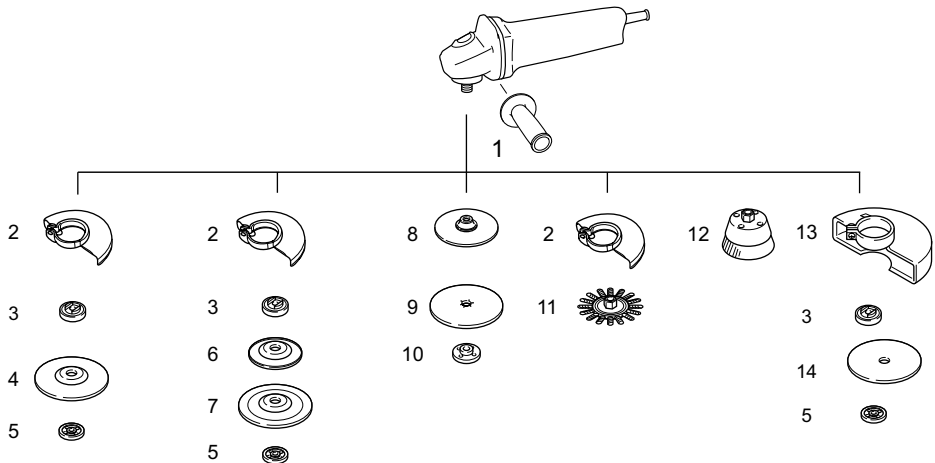
## **OPTIONAL ACCESSORIES**

#### **⚠CAUTION:**

- These accessories or attachments are recommended for use with your Makita tool specified in this manual. The use of any other accessories or attachments might present a risk of injury to persons. Only use accessory or attachment for its stated purpose.

If you need any assistance for more details regarding these accessories, ask your local Makita Service Center.

- Dust cover attachment



	100 mm (4") model	115 mm (4-1/2") model	125 mm (5") model	150 mm (6") model
1	Grip 36			
2	Wheel Guard (for grinding wheel)			
3	Inner flange	Inner flange Super flange	Inner flange Super flange	Inner flange Super flange
4	Depressed center wheel/Flap disc			
5	Lock nut	Lock nut Ezy nut *1	Lock nut Ezy nut *1	Lock nut Ezy nut *1
6	Plastic pad	Plastic pad	Plastic pad	-
7	Flex wheel	Flex wheel	Flex wheel	-
8	Rubber pad 76	Rubber pad 100	Rubber pad 115	Rubber pad 125
9	Abrasive disc			
10	Sanding lock nut			
11	Wire wheel brush			
12	Wire cup brush			
13	Wheel Guard (for cut-off wheel) *2			
14	Abrasive cut-off wheel/Diamond wheel			
-	Lock nut wrench			

Note:

\*1 Do not use Super flange and Ezynut together.

\*2 In some European countries, when using a diamond wheel, the ordinary guard can be used instead of the special guard covering the both side of the wheel. Follow the regulations in your country.

013732

**NOTE:**

- Some items in the list may be included in the tool package as standard accessories. They may differ from country to country.

## SVENSKA (Originalbruksanvisning)

### Förklaring till översiktstillbilderna

1-1. Spindellås	8-2. Spindellås	15-1. Markering A
2-1. Skjutknapp	9-1. Ezynut	15-2. Markering B
4-1. Sprängskydd för sliprondell	9-2. Slipskiva	15-3. Markering C
4-2. Lagerhus	9-3. Innerfläns	15-4. Markering D
4-3. Skruv	9-4. Spindel	17-1. Låsmutter
5-1. Sprängskydd för sliprondell	10-1. Spindellås	17-2. Kap-/diamantskiva
5-2. Lagerhus	11-1. Pil	17-3. Innerfläns
5-3. Skruv	11-2. Ås	17-4. Sprängskydd för kap-/diamantskiva.
5-4. Spak	13-1. Låsmutter	18-1. Koppformad stålborste
6-1. Skruv	13-2. Flexibel rondell	19-1. Skivstålborste
6-2. Spak	13-3. Plastplatta	20-1. Utblås
7-1. Låsmutter	13-4. Innerfläns	20-2. Luftintag
7-2. Rondell med försänkt centrumhål	14-1. Låsmutter för slipning	
7-3. Innerfläns	14-2. Sliprondell	
8-1. Tappnyckel för låsmutter	14-3. Gummiplatta	

## SPECIFIKATIONER

Modell	GA4040	GA4540	GA5040	GA6040
Skivdiameter	100 mm (4")	115 mm (4-1/2")	125 mm (5")	150 mm (6")
Max. tjocklek för slipskiva	6,4 mm			
Spindelgånga	M10	M14 eller 5/8 tum (landsspecifik)		
Märkhastighet (n) / Obelastat varvtal (n <sub>0</sub> )	11 000 min <sup>-1</sup>	11 000 min <sup>-1</sup>	11 000 min <sup>-1</sup>	9 000 min <sup>-1</sup>
Längd	303 mm	303 mm	303 mm	303 mm
Vikt	2,3 kg	2,4 kg	2,4 kg	2,5 kg
Säkerhetsklass	II/II			

- På grund av vårt pågående program för forskning och utveckling kan dessa specifikationer ändras utan föregående meddelande.
- Specifikationerna kan variera mellan olika länder.
- Vikt i enlighet med EPTA-procedur 01/2003

ENE048-1

### Användningsområde

Maskinen är avsedd för slipning och kapning i trä och stenmaterial utan användning av vatten.

ENF002-2

### Strömförsörjning

Maskinen får endast anslutas till elnät med samma spänning som anges på typplåten och med enfasig växelström. De är dubbelisolerade och får därför också anslutas i ojordade vägguttag.

ENG905-1

### Buller

Typiska A-vägd bullernivån är mätt enligt EN60745:

#### Modell GA4040, GA4540, GA5040

Ljudtrycksnivå (L<sub>pA</sub>): 86 dB(A)  
Ljudtrycksnivå (L<sub>WA</sub>): 97 dB(A)  
Måttolerans (K) : 3 dB(A)

#### Modell GA6040

Ljudtrycksnivå (L<sub>pA</sub>): 87 dB(A)  
Ljudtrycksnivå (L<sub>WA</sub>): 98 dB(A)  
Måttolerans (K) : 3 dB(A)

### Använd hörselskydd

ENG900-1

### Vibration

Vibrationens totalvärde (tre-axlars vektorsumma) mätt enligt EN60745:

#### Modell GA4040

Arbetsläge: planslipning med normalt sidohandtag  
Vibrationsemission (a<sub>h,AG</sub>) : 6,0 m/s<sup>2</sup>  
Måttolerans (K): 1,5 m/s<sup>2</sup>

Arbetsläge: planslipning med anti-vibrationssidohandtag  
Vibrationsemission (a<sub>h,AG</sub>) : 5,5 m/s<sup>2</sup>  
Måttolerans (K): 1,5 m/s<sup>2</sup>

Arbetsläge: skivslipning med normalt sidohandtag  
Vibrationsemission (a<sub>h,DS</sub>): 2,5 m/s<sup>2</sup> eller mindre  
Måttolerans (K): 1,5 m/s<sup>2</sup>

Arbetsläge: skivslipning med  
anti-vibrationssidohandtag  
Vibrationsemission ( $a_{h,DS}$ ): 2,5 m/s<sup>2</sup> eller mindre  
Måttolerans (K): 1,5 m/s<sup>2</sup>

#### Modell GA4540

Arbetsläge: planslipning med normalt sidohandtag  
Vibrationsemission ( $a_{h,AG}$ ): 6,5 m/s<sup>2</sup>  
Måttolerans (K): 1,5 m/s<sup>2</sup>

Arbetsläge: planslipning med  
anti-vibrationssidohandtag  
Vibrationsemission ( $a_{h,AG}$ ): 6,0 m/s<sup>2</sup>  
Måttolerans (K): 1,5 m/s<sup>2</sup>

Arbetsläge: skivslipning med normalt sidohandtag  
Vibrationsemission ( $a_{h,DS}$ ): 2,5 m/s<sup>2</sup> eller mindre  
Måttolerans (K): 1,5 m/s<sup>2</sup>

Arbetsläge: skivslipning med  
anti-vibrationssidohandtag  
Vibrationsemission ( $a_{h,DS}$ ): 2,5 m/s<sup>2</sup> eller mindre  
Måttolerans (K): 1,5 m/s<sup>2</sup>

#### Modell GA5040, GA6040

Arbetsläge: planslipning med normalt sidohandtag  
Vibrationsemission ( $a_{h,AG}$ ): 7,0 m/s<sup>2</sup>  
Måttolerans (K): 1,5 m/s<sup>2</sup>

Arbetsläge: planslipning med  
anti-vibrationssidohandtag  
Vibrationsemission ( $a_{h,AG}$ ): 6,0 m/s<sup>2</sup>  
Måttolerans (K): 1,5 m/s<sup>2</sup>

Arbetsläge: skivslipning med normalt sidohandtag  
Vibrationsemission ( $a_{h,DS}$ ): 2,5 m/s<sup>2</sup> eller mindre  
Måttolerans (K): 1,5 m/s<sup>2</sup>

Arbetsläge: skivslipning med  
anti-vibrationssidohandtag  
Vibrationsemission ( $a_{h,DS}$ ): 2,5 m/s<sup>2</sup> eller mindre  
Måttolerans (K): 1,5 m/s<sup>2</sup>

ENG902-1

- Det deklarerade vibrationsemissionsvärdet har uppmätts i enlighet med standardtestmetoden och kan användas för jämförandet av en maskin med en annan.
- Det deklarerade vibrationsemissionsvärdet kan också användas i preliminär bedömning av exponering för vibration.
- Det deklarerade vibrationsemissionsvärdet används för maskinens huvudsakliga arbetsuppgifter. Om maskinen används för andra arbetsuppgifter däremot kan vibrationsemissionsvärdet bli annorlunda.

### ⚠️ VARNING!

- Vibrationsemissionen under faktisk användning av maskinen kan skilja sig från det deklarerade emissionsvärdet, beroende på hur maskinen används.
- Se till att hitta säkerhetsåtgärder som kan skydda användaren och som grundar sig på en uppskattning av exponering i verkligheten (ta med i beräkningen alla delar av användandet såsom antal gånger maskinen är avstängd och när den körs på tomgång samt då startomkopplaren används).

ENH101-16

### Gäller endast Europa

### EU-konformitetsdeklaration

**Vi Makita Corporation som ansvariga tillverkare deklarerar att följande Makita-maskin(er):**

Maskinbeteckning:

Vinkelslipmaskin

Modellnr./ Typ: GA4040, GA4540, GA5040, GA6040

är för serierproduktion och

**Följer följande EU-direktiv:**

2006/42/EC

Och är tillverkade enligt följande standarder eller standardiseringsdokument:

EN60745

Den tekniska dokumentationen förs av:

Makita International Europe Ltd.

Technical Department,

Michigan Drive, Tongwell,

Milton Keynes, Bucks MK15 8JD, England

17.8.2011



000230

Tomoyasu Kato

Direktör

Makita Corporation

3-11-8, Sumiyoshi-cho,

Anjo, Aichi, 446-8502, JAPAN

GEA010-1

## Allmänna säkerhetsvarningar för maskin

⚠️ **VARNING** Läs igenom alla säkerhetsvarningar och instruktioner. Underlåtenhet att följa varningar och instruktioner kan leda till elektrisk stöt, brand och/eller allvarliga personskador.

**Spara alla varningar och instruktioner för framtida referens.**

# SÄKERHETSVARNINGAR FÖR SLIPMASKIN

Säkerhetsvarningar för slipning, stålborstning eller abrasiv skärning:

1. Den här maskinen är utformad för att användas för slipning, stålborstning eller som skärverktyg. Läs alla säkerhetsvarningar, instruktioner, illustrationer som medföljer den här maskinen. Underlåtenhet att följa alla instruktioner nedan kan leda till elstöt, brand och/eller allvarig skada.
2. Den här maskinen rekommenderas inte för poleringsarbeten. Används maskinen till andra arbeten än de avsedda, kan det orsaka fara och personskada.
3. Använd inte tillbehör som inte är särskilt tillverkade och rekommenderade av maskinens tillverkare. Även om tillbehöret passar maskinen, innebär det inte säker funktion.
4. Tillbehörets märkvarvtal måste vara minst lika med det maximala varvtalet som anges på maskinen. Tillbehör som används över märkvarvtalet kan gå sönder och orsaka skador.
5. Tillbehörets ytterdiameter och tjocklek skall vara anpassat till maskinens kapacitet. Tillbehör i olämplig storlek kan inte skyddas eller styras tillräckligt väl.
6. Gångorna på tillbehör som monteras måste stämma överens med spindelgångarna på slipmaskinen. För tillbehör som monteras med flänsar måste centrumhålet på tillbehöret passa på flänsens styrdiameter. Tillbehör som inte passar exakt på maskinens monteringsbeslag roterar ojämnt, vibrerar kraftigt och kan leda till att du förlorar kontrollen.
7. Använd inte skadade tillbehör. Kontrollera tillbehör som sliprondeller efter hack och sprickor, underlagsplattor efter sprickor, slitage och stålborstar efter lösa eller brutna trådar. Om du tappar maskinen eller ett tillbehör, kontrollera efter skador eller sätt i ett oskadat tillbehör. Efter inspektion och installation av ett tillbehör, ställ dig och andra närvarande bort från det roterande tillbehörets riktning och kör maskinen på full hastighet utan last i en minut. Skadade tillbehör går normalt sönder under den här testtiden.
8. Använd personlig skyddsutrustning. Använd visir, ögonskydd eller skyddsglasögon beroende på arbetet. Om det är lämpligt, använd dammask, hörselskydd, handskar och skyddsförkläde som kan skydda mot avskrap eller små fragment från arbetsstycket. Ögonskyddet måste kunna stoppa flygande fragment som uppstår vid olika arbeten. Dammasken eller andningsmasken måste kunna

filtrera partiklar som uppstår vid arbetet. Att utsättas för ihållande högt och intensivt ljud kan orsaka hörselskador.

9. Håll personer i omgivningen på säkert avstånd från arbetsområdet. De som befinner sig i arbetsområdet ska bära personlig skyddsutrustning. Delar av arbetsstycket eller defekta tillbehör kan flyga iväg och orsaka skador utanför arbetsområdet.
10. Håll maskinen endast i de isolerade handtagen när du utför arbete där verktyget kan komma i kontakt med en dold elkabel eller maskinens kabel. Om verktyget kommer i kontakt med en strömförande ledning blir maskinens metalldelar strömförande och kan ge operatören en elektrisk stöt.
11. Placera nätsladden bort från det roterande tillbehöret. Om du förlorar kontrollen, kan nätsladden kapas eller fastna och din hand eller arm kan dras in i det roterande verktyget.
12. Lägg aldrig maskinen åt sidan förrän den har stannat helt. Det roterande tillbehöret kan gripa tag i underlaget och du kan förlora kontrollen över maskinen.
13. Kör inte maskinen när du bär det vid din sida. Oavsiktlig kontakt med det roterande tillbehöret kan fastna i dina kläder, och dra in tillbehöret mot kroppen.
14. Rengör regelbundet maskinens ventilationsöppningar. Motorns fläkt suger in damm i höljet och överdriven ansamling av pulvriserad metall kan orsaka elektrisk fara.
15. Använd inte maskinen i närheten av lättantändliga material. Gnistor kan antända dessa material.
16. Använd inte tillbehör som kräver flytande kylvätskor. Att använda vatten eller andra flytande kylvätskor kan orsaka dödsfall eller elektriska stötar.

## Bakåtkast och relaterade varningar

Bakåtkast är en plötslig reaktion på fastnytt roterande hjul, underlagsplatta, borste eller annat tillbehör. Nyp och kärvning orsakar stegring av det roterande tillbehöret, och orsakar i sin tur att den okontrollerade maskinen tvingas i motsatt riktning vid kärvningspunkten. Om en slipskiva till exempel nyper fast i arbetsstycket, kan skivans kant som går in i fästpunkten skära in i materialet och orsaka att hjulet hoppar ur och kastas bakåt. Hjulet kan antingen hoppa mot eller från användaren, beroende på hjulets rörelseriktning vid kärvningspunkten. Slipskivor kan även gå sönder under dessa omständigheter.

Bakåtkast beror på ovarsamhet och/eller felaktiga arbetsrutiner eller omständigheter för maskinen och kan undvikas genom att vidta nedanstående förebyggande åtgärder.



- a) **Håll stadigt i maskinen och ställ dig så att din kropp och arm kan motverka krafterna vid bakåtkast. Använd alltid ett extrahandtag, om sådant finns, för att maximal kontroll vid bakåtkast eller vridningsrörelsen vid start.** Användaren kan kontrollera vridrörelsen eller krafterna vid bakåtkast om rätt försiktighetsåtgärder vidtas.
- b) **Håll aldrig handen i närheten av det roterande tillbehöret.** Tillbehöret kan kastas bakåt över din hand.
- c) **Ställ dig inte dit maskinen kommer att flytta i händelse av bakåtkast.** Bakåtkast kommer att driva verktyget i motsatt riktning till hjulets rörelse vid kärningspunkten.
- d) **Var försiktig vid arbeten på hörn, vassa kanter etc. Undvik att studsa och klämma tillbehöret.** Hörn, skarpa kanter eller studsning har en tendens att klämma det roterande tillbehöret och orsaka förlorad kontroll eller bakåtkast.
- e) **Montera inte en sågkedja, snidarblad eller ett tandat sågblad.** Sådana blad orsakar ofta bakåtkast och förlorad kontroll.

#### **Säkerhetsvarningar för slipning och abrasiv skärning:**

- a) **Använd endast de skivor som rekommenderas för din maskin och det särskilda sprängskyddet för skivan.** Skivor som inte tillverkats för maskinen kan inte skyddas tillräckligt och är inte tillförlitliga.
- b) **Slipytan på nedsänkta skivor måste monteras under planet från sprängskyddets kant.** En felaktigt monterad skiva som sticker utanför planet från sprängskyddets kant är inte tillräckligt skyddad.
- c) **Sprängskyddet måste vara ordentligt fäst vid maskinen och placerat för maximal säkerhet, så att minsta möjliga yta av skivan är öppen mot användare.** Sprängskyddet skyddar användaren mot trasiga skivdelar, oavsiktlig kontakt med skivan och gnistor som kan antända kläder.
- d) **Skivorna får endast användas till rekommenderade arbetsuppgifter. Till exempel: slipa inte med en kapskivas utsida.** Slipkapskivor är avsedda för kantslipning, sidokrafter kan spränga sådana skivor.
- e) **Använd alltid oskadade skivflänsar i rätt storlek och form till din skiva.** Rätt skivflänsar stöder skivan och minskar risken för att skivan går sönder. Flänsar till kapskivor kan skilja sig från flänsar till slipskivor.
- f) **Använd inte nedslitna skivor från större maskiner.** Skivor avsedda för större maskiner är inte lämpliga för mindre maskiners högre varvtal och kan spricka.

#### **Ytterligare särskilda säkerhetsvarningar för abrasiv skärning:**

- a) **Kärva inte fast kapskivan och använd inte för stor kraft. Skär inte onödigt djupt.** Överbelastning av skivan ökar risken för vridning eller nypning av skivan i skåret och risken för bakåtkast eller att skivan går sönder.
- b) **Ställ dig inte i linje med och bakom den roterande skivan.** När skivan rör sig ifrån dig, kan ett bakåtkast skicka den roterande skivan och maskinen mot dig.
- c) **När skivan kärvar eller om en skärning avbryts, stäng av maskinen och håll maskinen stilla tills skivan har stannat helt. Försök aldrig att ta ut kapskivan ur skåret när skivan är i rörelse, för att undvika bakåtkast.** Kontrollera och rätta till eventuella brister för att eliminera risken för kärvning.
- d) **Starta inte om kapningen med maskinen i arbetsstycket. Låt skivan nå full hastighet och placera den försiktigt tillbaka i skåret.** Skivan kan kärva, hoppa ur eller orsaka bakåtkast om maskinen startas om i arbetsstycket.
- e) **Stötta långa eller stora arbetsstycken för att minimera risken för att klingan nyper fast och ger bakåtkast.** Långa arbetsstycken böjs av sin egen tyngd. Placera stöd under arbetsstycket nära skärkylinjen och stöd på båda sidorna, vid kanten på arbetsstycket och på båda sidor av skivan.
- f) **Var extra uppmärksam vid genomstick in i en vägg eller andra dolda utrymmen.** Den utskjutande klingan kan säga av gas- eller vattenledningar, elektriska ledningar eller föremål som kan orsaka bakåtkast.

#### **Säkerhetsvarningar särskilt vid slipning:**

- a) **Använd inte för stora slipskivor. Följ tillverkarens rekommendationer när du väljer slipskiva.** Större slippapper som sticker ut utanför underlaget ger risk för rivning och kan orsaka kärvning, rivning av skivan eller bakåtkast.

#### **Säkerhetsvarningar särskilt vid stålborstning:**

- a) **Var uppmärksam på att trädbitar kastas ut från borsten även vid normal användning.** Överbelasta inte trädarna genom att anlägga onödigt stor kraft mot borsten. Trädarna kan enkelt gå igenom tunnare klädsel och/eller huden.
- b) **Om användning av skydd rekommenderas vid stålborstning, tillåt inte att borstskivan eller borsten går emot skyddet.** Borstens diameter kan expandera på grund av belastningen eller centrifugalkraften.

#### **Ytterligare säkerhetsvarningar:**

17. **Vid användning av nedsänkta center-rondeller, ska endast glasfiberförstärkta rondeller användas.**
18. **ANVÄND ALDRIG sten-skålskivor med denna slipmaskin.** Denna slipmaskin är inte konstruerad för denna typ av skivor och

användningen av dessa kan resultera i allvarlig personskada.

19. **Var försiktig så att inte spindeln, flänsen (i synnerhet monteringsytan) eller låsmuttern skadas. Skador på någon av dessa delar kan medföra att rondellen förstörs.**
20. **Se till att rondellen inte är i kontakt med arbetsstycket när du trycker på avtryckaren.**
21. **Låt verktyget vara igång en stund innan den används på arbetsstycket. Kontrollera att skivan inte vibrerar eller skakar vilket kan innebära att den är felaktigt monterad eller dåligt balanserad.**
22. **Slipa endast med den del av rondellen som är avsedd för slipning.**
23. **Lämna inte maskinen igång. Använd endast maskinen när du håller den i händerna.**
24. **Rör inte vid arbetsstycket omedelbart efter arbetet. Det kan vara extremt varmt och orsaka brännskador.**
25. **Följ tillverkarens anvisningar för korrekt montering och användning av rondeller. Hantera rondellerna varsamt och förvara dem på säker plats.**
26. **Använd inte separata reducerhylsor eller adapterar för att kunna använda sliprondeller med större hål.**
27. **Använd endast flänsar avsedda för den här maskinen.**
28. **Kontrollera att gänglängden i rondellen är tillräckligt lång för spindellängden om rondellen är avsedd att gängas fast.**
29. **Kontrollera att arbetsstycket är ordentligt fastsatt.**
30. **Tänk på att rondellen fortsätter att rotera efter att maskinen stängts av.**
31. **Om arbetsplatsen är extremt varm och fuktig, eller har hög koncentration av elektriskt ledande damm, ska jordfelsbrytare (30 mA) användas för användarens säkerhet.**
32. **Använd inte maskinen för material som innehåller asbest.**
33. **Använd alltid föreskrivet dammuppsamlade sprängskydd när du arbetar med kapskiva.**
34. **Kapskivor får inte utsättas för sidokrafter.**

## SPARA DESSA ANVISNINGAR.

### ⚠VARNING!

**GLÖM INTE att noggrant följa säkerhetsanvisningarna för maskinen även efter det att du har blivit van att använda den. OVARSAM hantering eller underlåtenhet att följa säkerhetsanvisningarna i denna bruksanvisning kan leda till allvarliga personskador.**

## FUNKTIONSBESKRIVNING

### ⚠FÖRSIKTIGT!

- Se alltid till att maskinen är avstängd och nätsladden urdragen innan du justerar eller funktionskontrollerar maskinen.

### Spindellås

#### Fig.1

### ⚠FÖRSIKTIGT!

- Aktivera aldrig spindellåset medan spindeln rör sig. Maskinen kan skadas.

Tryck ned spindellåset för att förhindra att spindeln roterar när du monterar eller tar bort tillbehör.

### Avtryckarens funktion

#### Fig.2

### ⚠FÖRSIKTIGT!

- Innan du ansluter maskinen till elnätet ska du kontrollera att skjutknappen fungerar och återgår till läget "OFF" när du trycker på den bakre delen av knappen.
- Knappen kan låsas i läge "ON" för att underlätta användning när maskinen används under längre tid. Var försiktig när du låser maskinen i läge "ON", och fortsatt håll ett stadigt grepp i maskinen.

För att starta maskinen ska du skjuta skjutreglaget mot "I (PÅ)"-positionen genom att trycka på baksidan av skjutreglaget. För oavbruten drift, tryck på framkanten av skjutreglaget vilket låser läget.

Tryck på skjutreglagets bakre kant och skjut den sedan till läget "O (AV)" för att stänga av maskinen.

## MONTERING

### ⚠FÖRSIKTIGT!

- Se alltid till att maskinen är avstängd och nätsladden urdragen innan maskinen repareras.

### Montera sidohandtaget

#### Fig.3

### ⚠FÖRSIKTIGT!

- Kontrollera alltid att sidohandtaget sitter fast ordentligt innan arbetet påbörjas.

Skruva fast sidohandtaget ordentligt på rätt plats på maskinen enligt figuren.

### Montering eller demontering av sprängskydd (För rondell med försänkt centerhål, lamellslipskiva, flexibel rondell, skivstålborste/kapskiva, diamantskiva)

### ⚠VARNING!

- När en sliprondell med försänkt centerhål, lamellslipskiva, flexibel rondell eller skivstålborste används, måste sprängskyddet monteras på maskinen så att den slutna sidan alltid är vänd mot användaren.

- Vid användning av en kap-/diamantskiva ska du vara noga med att endast använda det speciella sprängskydd som är avsett för användning tillsammans med kapskivor. (I vissa europeiska länder kan det vanliga sprängskyddet användas tillsammans med diamantskivan. Följ föreskrifterna i ditt land.)

#### **För maskin med sprängskydd och låsskruv**

##### **Fig.4**

Montera sprängskyddet så att de utskjutande delarna på sprängskyddets band passar in i urtagen på lagerhuset. Vrid sedan sprängskyddet 180° moturs. Dra åt skruven ordentligt.

Gör på omvänt sätt för att ta bort sprängskyddet.

#### **För maskin med sprängskydd och klämspak**

##### **Fig.5**

Dra reglaget i pilens riktning när du har lossat skruven. Montera sprängskyddet så att de utskjutande delarna på sprängskyddets band passar in i urtagen på lagerhuset. Vrid sedan sprängskyddet 180°.

##### **Fig.6**

Dra åt sprängskyddet genom att fästa skruven efter att du har dragit reglaget i pilens riktning. Sprängskyddets inställningsvinkel kan justeras med reglaget.

Gör på omvänt sätt för att ta bort sprängskyddet.

#### **Installera eller ta bort sliprondell med försänkt centerhål eller lamellslipskiva (valfritt tillbehör)**

##### **⚠VARNING!**

- När en sliprondell med försänkt centerhål eller lamellslipskiva används, måste sprängskyddet monteras på maskinen så att den slutna sidan alltid är vänd mot användaren.

##### **Fig.7**

Sätt fast innerflänsen på spindeln. Passa in rondellen/skivan på innerflänsen och skruva på låsmuttern på spindeln.

##### **Fig.8**

Tryck in spindellåset ordentligt för att dra fast låsmuttern så att spindeln inte kan rotera. Använd sedan tappnyckeln för att dra fast ytterligare.

Gör på omvänt sätt för att ta bort rondellen.

#### **Superfläns (valfritt tillbehör)**

Modeller med bokstaven F är utrustade med en superfläns som standard. Endast 1/3 ansträngning behövs för att lossa låsmuttern jämfört med konventionell typ.

#### **Montera eller demontera Ezynut (valfritt tillbehör)**

##### **⚠FÖRSIKTIGT!**

- Använd inte Ezynut med superfläns eller med vinkelslipmaskin med "F" i slutet av modellnumret.

Dessa flänsar är så tjocka att hela gängningen inte kan hållas av spindeln.

##### **Fig.9**

Montera innerflänsen, slipskivan och Ezynut på spindeln så att Makitas logotyp på Ezynut är vänd utåt.

##### **Fig.10**

Tryck in spindellåset och dra åt Ezynut genom att vrida slipskivan medurs så långt som den går att vrida.

Vrid Ezynut:s ytterringen moturs för att lossa den.

##### **Fig.11**

##### **Fig.12**

##### **OBS!**

- Ezynut kan lossas för hand så länge som pilen är riktad mot skåran. Annars behövs det en tappnyckel för att lossa den. Sätt i en av tappnyckelns stift i ett av hålen och vrid Ezynut moturs.

#### **Montera eller demontera flexibel rondell (valfritt tillbehör)**

##### **⚠VARNING!**

- Använd alltid det medföljande skyddet när en flexibel rondell är monterad på maskinen. Skivan kan splittras under användning och skyddet hjälper till att minska risken för personskador.

##### **Fig.13**

Följ anvisningarna för sliprondell med försänkt centerhål men använd även stödrondell av plast över skivan. Se monteringssekvensen på tillbehörssidan i denna handbok.

#### **Montera eller demontera sliprondell (valfritt tillbehör)**

##### **OBS!**

- Använd endast slipningstillbehör som specificeras i denna bruksanvisning. Dessa måste köpas separat.

##### **Fig.14**

Montera stödrondellen av gummi på spindeln. Passa in rondellen över stödrondellen och skruva fast låsmuttern för slipning på spindeln. När du ska skruva fast låsmuttern för slipning trycker du ned spindellåset så att spindeln inte kan rotera. Dra fast låsmuttern medurs med nyckeln.

Följ monteringsanvisningarna i omvänd ordning för att ta bort rondellen.

#### **Montering eller demontering av dammskyddstillbehör (valfritt tillbehör)**

##### **⚠VARNING!**

- **Kontrollera alltid att maskinen är avstängd och urkopplad innan du installerar eller demonterar dammskyddet.** Om du inte gör det kan det orsaka skador på maskinen eller personskador.

Det finns fyra dammskydd och varje används i en av olika positioner.

#### Fig.15

Ställ in dammskyddet så att markeringarna (A, B, C eller D) placeras så som visas. Knäpp fast dess stift i hålen. Dammskyddstillbehöret kan tas bort för hand.

#### OBS!

- Torka ur dammskyddstillbehöret när det är igensatt med damm eller främmat material. Fortsatt användning med ett igensatt dammskyddstillbehör skadar maskinen.

## ANVÄNDNING

### ⚠VARNING!

- Tänk på att aldrig tvinga maskinen. Maskinens vikt ska utgöra ett tillräckligt tryck. Tvång eller överdrivet tryck kan resultera i farliga rondellbrott.
- Byt ALLTID ut rondellen om den har tappats under slipning.
- Slå ALDRIG med rondellen eller skivan på arbetsstycket.
- Undvik att studsas eller hackas med rondeller, i synnerhet i närheten av hörn, skarpa kanter osv. Det är lätt att i dessa situationer förlora kontrollen över maskinen så att den kastas bakåt.
- Använd ALDRIG maskinen med sågklingor avsedda för trä eller andra sågblad. Att använda sådana klingor i slipmaskiner innebär stor risk för bakåtkast som kan förorsaka personskador.

### ⚠FÖRSIKTIGT!

- Starta aldrig maskinen när denna är i kontakt med arbetsstycket. Det kan orsaka personskador.
- Använd alltid skyddsglasögon eller visir under arbetet.
- När du är klar med arbetet ska du vänta tills rondellen stannat helt innan du lägger maskinen åt sidan.

## Slipning av trä och metall

#### Fig.16

Håll ALLTID maskinen i ett fast grepp med ena handen på huset och den andra på sidohandtaget. Starta maskinen och för rondellen eller skivan mot arbetsstycket.

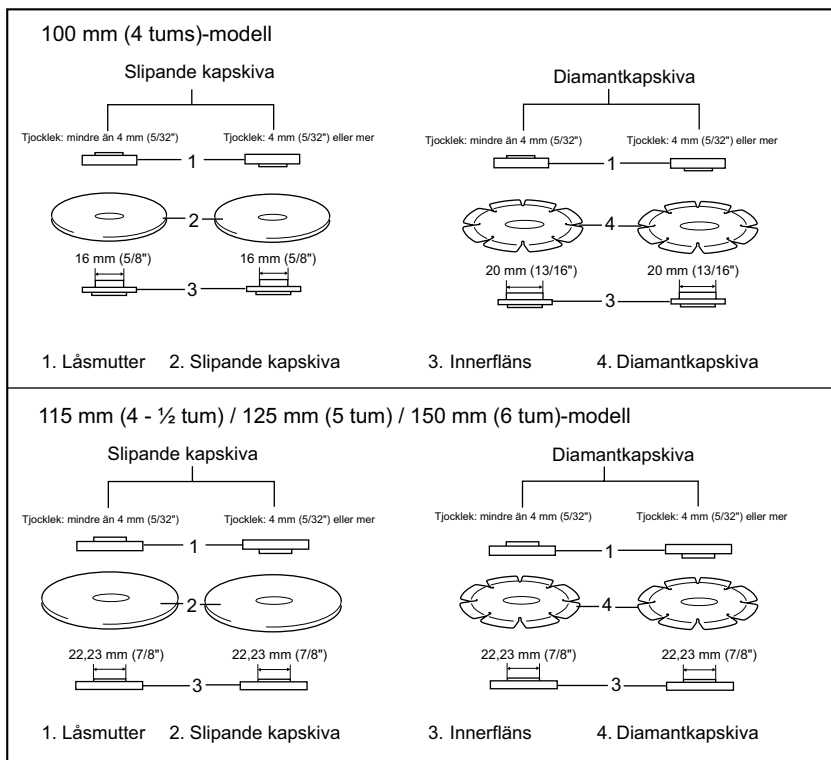
Normalt ska du hålla rondellens eller skivans kant mot arbetsstycket med en vinkel på 15°.

Under perioden då du kör in en ny rondell ska du inte föra slipmaskinen i B-riktningen eftersom den kan skära in i arbetsstycket. När kanten på rondellen har rundats av kan du slipa i båda riktningarna (A och B).

## Användning av kap-/diamantskiva (valfritt tillbehör)

Fig.17

Riktningen för att montera låsmuttern och innerflänsen varierar beroende på skivans tjocklek. Se tabellen nedan.



012746

### ⚠ VARNING!

- Vid användning av en kap-/diamantskiva ska du vara noga med att endast använda det speciella sprängskydd som är avsett för användning tillsammans med kapskivor. (I vissa europeiska länder kan det vanliga sprängskyddet användas tillsammans med diamantskivan. Följ föreskrifterna i ditt land.)
- Använd **ALDRIG** kapskivor för sidoslipning.
- Se till att skivan inte "kärvar" och tryck inte hårt. Undvik att göra för djupa skär. Överutnyttjande av skivan ökar belastningen på maskinen och risken för att skivan bänds eller fastnar i spåret ökar, liksom risken för bakåtkast, skivbrott och överhettning av motorn.

- Starta inte skärningen med maskinen i arbetsstycket. Låt skivan uppnå fullt varvtal och sänk försiktigt ned maskinen och för den framåt. Skivan kan fastna, krypa upp eller kastas bakåt om maskinen startas med verktyget i ingrepp i arbetsstycket.
- Under skärningen får skivans vinkel aldrig ändras. Sidotryck på kapskivan (som vid slipning) medför att skivan spricker och sprängs, vilket kan leda till svåra personskador.
- En diamantskiva ska arbetas vinkelrätt mot det material som ska kapas.

### Användning av den koppformade stålborsten (valfritt tillbehör)

#### ⚠ FÖRSIKTIGT!

- Kontrollera hur borsten fungerar genom att köra maskinen utan belastning och försäkra dig om att

ingen finns framför eller i linje med borsten

- Använd inte en borste som är skadad eller obalanserad eftersom det kan öka risken för skada vid kontakt med trasiga ståltrådar.

#### Fig.18

Koppla bort maskinen från elnätet och placera den upp och ned för att lättare komma åt spindeln. Ta bort eventuella tillbehör på spindeln. Trä den koppformade stålborsten på spindeln och dra åt med medföljande nyckel. Undvik att använda för mycket tryck vid användning av borsten eftersom det böjer ståltrådarna för mycket och leder till slitage i förtid.

### Användning av skivstålborsten (valfritt tillbehör)

#### FÖRSIKTIGT!

- Kontrollera hur skivstålborsten fungerar genom att köra maskinen utan belastning och försäkra dig om att ingen finns framför eller i linje med skivstålborsten.
- Använd inte en skivstålborste som är skadad eller obalanserad eftersom det kan öka risken för skada vid kontakt med trasiga ståltrådar.
- Använd ALLTID skydd tillsammans med skivstålborstar och kontrollera att skivdiametern passar innanför skyddet. Skivan kan splittras under användningen och skyddet minskar risken för personskador.

#### Fig.19

Koppla bort maskinen från elnätet och placera den upp och ned för att lättare komma åt spindeln. Ta bort eventuella tillbehör på spindeln. Montera skivstålborsten på spindeln och dra åt med nycklarna.

Undvik att lägga på för mycket tryck vid användning av skivstålborsten eftersom det böjer ståltrådarna för mycket och leder till slitage i förtid.

## UNDERHÅLL

#### FÖRSIKTIGT!

- Se alltid till att maskinen är avstängd och nätkabeln urdragen innan inspektion eller underhåll utförs.
- Använd inte bensin, thinner, alkohol eller liknande. Missfärgning, deformation eller sprickor kan uppstå

#### Fig.20

Maskinen och luftintagen måste vara rena. Rengör maskinens ventilationshål regelbundet eller så snart ventilationen påverkas negativt.

För att upprätthålla produktens SÄKERHET och TILLFÖRLITLIGHET bör reparationer, kontroll och utbyte av kolborstar samt allt annat underhålls- och justeringsarbete utföras av ett auktoriserat Makita servicecenter och med reservdelar från Makita.

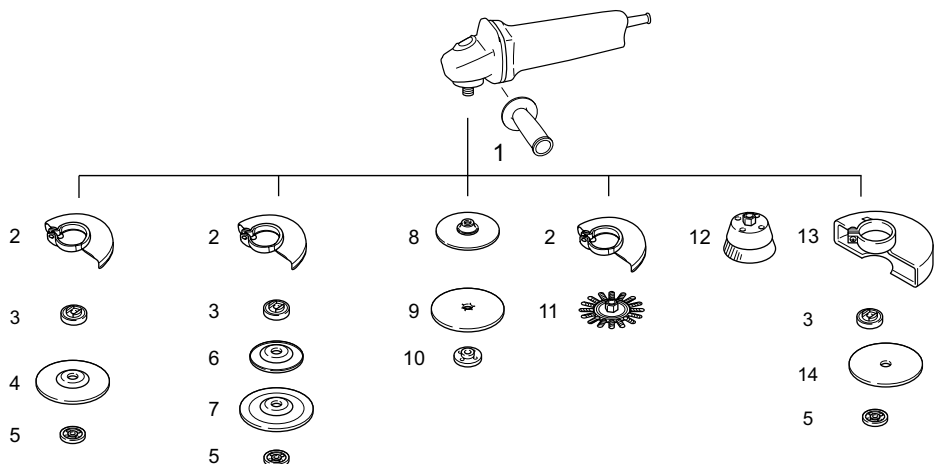
## VALFRIA TILLBEHÖR

#### FÖRSIKTIGT!

- Dessa tillbehör och tillsatser rekommenderas för användning tillsammans med den Makita-maskin som denna bruksanvisning avser. Om andra tillbehör eller tillsatser används kan det uppstå risk för personskador. Använd endast tillbehören eller tillsatserna för de syften de är avsedda för.

Kontakta ditt lokala Makita servicecenter om du behöver ytterligare information om dessa tillbehör.

- Dammskyddstillbehör



	100 mm (4 tums)-modell	115 mm (4/-1/2 tums)-modell	125 mm (5 tums)-modell	150 mm (6 tums)-modell
1	Handtag 36			
2	Sprängskydd (för sliprondell)			
3	Innerfläns	Innerfläns Superfläns	Innerfläns Superfläns	Innerfläns Superfläns
4	Rondell med försänkt centerhål/Lamellislipskiva			
5	Låsmutter	Låsmutter Ezy nut *1	Låsmutter Ezy nut *1	Låsmutter Ezy nut *1
6	Plastplatta	Plastplatta	Plastplatta	-
7	Flexibel rondell	Flexibel rondell	Flexibel rondell	-
8	Stödronnell av gummi 76	Stödronnell av gummi 100	Stödronnell av gummi 115	Stödronnell av gummi 125
9	Sliprondell			
10	Låsmutter för slipning			
11	Skivstålborste			
12	Koppformad stålborste			
13	Sprängskydd (för kapskiva) *2			
14	Kap-/diamantskiva			
-	Tappnyckel för låsmutter			

Obs!

\*1 Använd inte superfläns och Ezynut tillsammans.

\*2 I vissa europeiska länder kan det vanliga sprängskyddet användas tillsammans med diamantskivan istället för specialsprängskyddet som täcker båda sidor av skivan. Följ föreskrifterna i ditt land.

013732

**OBS!**

- Några av tillbehören i listan kan vara inkluderade i maskinpaketet som standardtillbehör. De kan variera mellan olika länder.

## NORSK (originalinstruksjoner)

### Oversiktsforklaring

1-1. Spindellås	8-2. Spindellås	15-1. A-merking
2-1. Skyvebryter	9-1. Ezynut	15-2. B-merking
4-1. Beskyttelseskappe	9-2. Slipeskive	15-3. C-merking
4-2. Lagerboks	9-3. Indre flens	15-4. D-merking
4-3. Skrue	9-4. Spindel	17-1. Låsemutter
5-1. Beskyttelseskappe	10-1. Spindellås	17-2. Slipende kappeskive/diamantskive
5-2. Lagerboks	11-1. Pil	17-3. Indre flens
5-3. Skrue	11-2. Fordypning	17-4. Skivevern for slipende kappeskive/diamantskive
5-4. Spak	13-1. Låsemutter	18-1. Sirkulær stålborste
6-1. Skrue	13-2. Flex-skive	19-1. Skivebørste
6-2. Spak	13-3. Plastpute	20-1. Luftutløp
7-1. Låsemutter	13-4. Indre flens	20-2. Luftinntak
7-2. Slipeskive med forsenket nav	14-1. Låsemutter for pussing	
7-3. Indre flens	14-2. Slipeskive	
8-1. Låsemutternøkkel	14-3. Gummirondell	

## TEKNISKE DATA

Modell	GA4040	GA4540	GA5040	GA6040
Skivediameter	100 mm (4")	115 mm (4-1/2")	125 mm (5")	150 mm (6")
Maks. Skivetykkelse	6,4 mm			
Spindelgjenge	M10	M14 eller 5/8 tommer (varierer i henhold til land)		
Merkehastighet (n) / Hastighet uten belastning (n <sub>0</sub> )	11 000 min <sup>-1</sup>	11 000 min <sup>-1</sup>	11 000 min <sup>-1</sup>	9 000 min <sup>-1</sup>
Total lengde	303 mm	303 mm	303 mm	303 mm
Nettovekt	2,3 kg	2,4 kg	2,4 kg	2,5 kg
Sikkerhetsklasse	II/III			

- Som følge av vårt kontinuerlige forsknings- og utviklingsprogram kan de tekniske dataene endres uten ytterligere forvarsel.
- Tekniske data kan variere fra land til land.
- Vekt i henhold til EPTA-prosedyre 01/2003

ENE048-1

### Riktig bruk

Maskinen er beregnet på sliping, pussing og kutting av metall og steinmaterialer uten bruk av vann.

ENF002-2

### Strømforsyning

Maskinen må bare kobles til en strømkilde med samme spenning som vist på typeskiltet, og kan bare brukes med enfase-vekselstrømforsyning. Den er dobbelt verneisoleret og kan derfor også brukes fra kontakter uten jording.

ENG905-1

### Støy

Typisk A-vektet lydtryknivå er bestemt i henhold til EN60745:

#### Modell GA4040, GA4540, GA5040

Lydtryknivå ( $L_{pA}$ ): 86 dB(A)  
Lydeffektnivå ( $L_{WA}$ ): 97 dB(A)  
Usikkerhet (K): 3 dB(A)

#### Modell GA6040

Lydtryknivå ( $L_{pA}$ ): 87 dB(A)  
Lydeffektnivå ( $L_{WA}$ ): 98 dB(A)  
Usikkerhet (K): 3 dB(A)

#### Bruk hørselvern

ENG900-1

### Vibrasjon

Den totale vibrasjonsverdien (triaksial vektorsum) bestemt i henhold til EN60745:

#### Modell GA4040

Arbeidsmåte: Overflatesliping med normalt sidegrep  
Genererte vibrasjoner ( $a_{h,AG}$ ): 6,0 m/s<sup>2</sup>  
Usikkerhet (K): 1,5 m/s<sup>2</sup>

Arbeidsmåte: Overflatesliping med vibrasjonssikkert sidegrep  
Genererte vibrasjoner ( $a_{h,AG}$ ): 5,5 m/s<sup>2</sup>  
Usikkerhet (K): 1,5 m/s<sup>2</sup>



Arbeidsmodus: plansliping med normal sidegrep  
Genererte vibrasjoner ( $a_{h,DS}$ ): 2,5 m/s<sup>2</sup> eller mindre  
Usikkerhet (K): 1,5 m/s<sup>2</sup>

Arbeidsmodus: plansliping med vibrasjonssikkert sidegrep  
Genererte vibrasjoner ( $a_{h,DS}$ ): 2,5 m/s<sup>2</sup> eller mindre  
Usikkerhet (K): 1,5 m/s<sup>2</sup>

#### Modell GA4540

Arbeidsmåte: Overflatesliping med normalt sidegrep  
Genererte vibrasjoner ( $a_{h,AG}$ ): 6,5 m/s<sup>2</sup>  
Usikkerhet (K): 1,5 m/s<sup>2</sup>

Arbeidsmåte: Overflatesliping med vibrasjonssikkert sidegrep  
Genererte vibrasjoner ( $a_{h,AG}$ ): 6,0 m/s<sup>2</sup>  
Usikkerhet (K): 1,5 m/s<sup>2</sup>

Arbeidsmodus: plansliping med normal sidegrep  
Genererte vibrasjoner ( $a_{h,DS}$ ): 2,5 m/s<sup>2</sup> eller mindre  
Usikkerhet (K): 1,5 m/s<sup>2</sup>

Arbeidsmodus: plansliping med vibrasjonssikkert sidegrep  
Genererte vibrasjoner ( $a_{h,DS}$ ): 2,5 m/s<sup>2</sup> eller mindre  
Usikkerhet (K): 1,5 m/s<sup>2</sup>

#### Modell GA5040, GA6040

Arbeidsmåte: Overflatesliping med normalt sidegrep  
Genererte vibrasjoner ( $a_{h,AG}$ ): 7,0 m/s<sup>2</sup>  
Usikkerhet (K): 1,5 m/s<sup>2</sup>

Arbeidsmåte: Overflatesliping med vibrasjonssikkert sidegrep  
Genererte vibrasjoner ( $a_{h,AG}$ ): 6,0 m/s<sup>2</sup>  
Usikkerhet (K): 1,5 m/s<sup>2</sup>

Arbeidsmodus: plansliping med normal sidegrep  
Genererte vibrasjoner ( $a_{h,DS}$ ): 2,5 m/s<sup>2</sup> eller mindre  
Usikkerhet (K): 1,5 m/s<sup>2</sup>

Arbeidsmodus: plansliping med vibrasjonssikkert sidegrep  
Genererte vibrasjoner ( $a_{h,DS}$ ): 2,5 m/s<sup>2</sup> eller mindre  
Usikkerhet (K): 1,5 m/s<sup>2</sup>

ENG902-1

- Den angitte verdien for de genererte vibrasjonene er blitt målt i samsvar med standardtestmetoden og kan brukes til å sammenlikne et verktøy med et annet.
- Den angitte verdien for de genererte vibrasjonene kan også brukes til en foreløpig vurdering av eksponeringen.
- Den oppgitte verdien for genererte vibrasjoner brukes for hovedbruksområdene for elektroverktøyet. Hvis verktøyet brukes til andre

formål, kan verdien for de genererte vibrasjonene være en annen.

#### ⚠ADVARSEL:

- De genererte vibrasjonene ved faktisk bruk av elektroverktøyet kan avvike fra den oppgitte vibrasjonsverdien, avhengig av hvordan verktøyet brukes.
- Vær påpasselig med å finne sikkerhetstiltak som beskytter operatøren, basert på en oppfatning av risiko under faktiske bruksforhold (på bakgrunn av alle sider ved brukssyklusen, som når verktøyet slås av og når det går på tomgang, i tillegg til oppstarten).

ENH101-16

#### Gjelder bare land i Europa

#### EF-samsvarserklæring

**Som ansvarlig produsent erklærer Makita Corporation at følgende Makita-maskin(er):**

Maskinbetegnelse:

Vinkelsliper

Modellnr./type: GA4040, GA4540, GA5040, GA6040

er serieprodusert og

**Samsvarer med følgende europeiske direktiver:**

2006/42/EC

Og er produsert i samsvar med følgende standarder eller standardiserte dokumenter:

EN60745

Den tekniske dokumentasjonen oppbevares hos:

Makita International Europe Ltd.

Technical Department,

Michigan Drive, Tongwell,

Milton Keynes, Bucks MK15 8JD, England

17.8.2011



000230

Tomoyasu Kato

Direktør

Makita Corporation

3-11-8, Sumiyoshi-cho,

Anjo, Aichi, 446-8502, JAPAN

GEA010-1

## Generelle advarsler angående sikkerhet for elektroverktøy

⚠ **ADVARSEL Les alle sikkerhetsadvarslene og alle instruksjonene.** Hvis du ikke følger alle advarslene og instruksjonene som er oppført nedenfor, kan det føre til elektriske støt, brann og/eller alvorlige helseskader.

**Oppbevar alle advarsler og instruksjoner for senere bruk.**

# SIKKERHETSANVISNINGER FOR VINKELSLIPER

Vanlige sikkerhetsadvarslar for sliping, pussing, stålborsting og kapping :

1. Dette elektriske verktøyet er beregnet for sliping, pussing, stålborsting og kapping. Les alle sikkerhetsadvarslar, instruksjoner, illustrasjoner og spesifikasjoner som følger med dette elektriske verktøyet. Unnlattelse av å følge alle instruksjoner i oversikten nedenfor, kan føre til elektrisk støt, brann og alvorlige skader.
2. **Polering bør ikke utføres med dette verktøyet.** Bruk av verktøyet til noe annet enn det det er beregnet for, kan medføre fare og forårsake personskade.
3. **Ikke bruk tilbehør som ikke er spesielt beregnet og anbefalt av verktøyprodusenten.** Selv om tilbehøret kan monteres på elektroverktøyet, er ikke det noen garanti for sikker bruk.
4. **Angitt hastighet for tilbehøret må være minst like høy som største angitte hastighet på elektroverktøyet.** Tilbehør som kjøres med større hastighet enn det som er angitt, kan gå i stykker og slynges ut.
5. **Den ytre diameteren og tykkelsen på tilbehøret må ligge innenfor den angitte kapasiteten for elektroverktøyet.** Tilbehør med feil dimensjoner kan ikke sikres eller kontrolleres fullgodt.
6. **Gjenget montering av tilbehør må samsvare med gjengen på sliperen. For tilbehør montert med flenser, må spindelhullet på tilbehøret passe til med diameteren på flensen.** Tilbehør som ikke passer til monteringsystemet elektroverktøyet vil kjøre ut av balanse, vibrere overdrevet og kan føre til tap av kontroll.
7. **Ikke bruk skadet tilbehør. Før bruk må du undersøke om tilbehør som slipeskiver har hakk eller sprekker, om bakrondeller har sprekker eller er slitt og om stålborster har løse eller ødelagte tråder. Hvis det elektriske verktøyet eller tilbehøret mistes, må du undersøke om det har oppstått skade og eventuelt skifte det ut med uskadd tilbehør. Når et tilbehør er undersøkt og montert, skal du plassere deg selv og andre utenfor tilbehørets rotasjonsplan og kjøre verktøyet på maksimal hastighet, uten belastning, i ett minutt. Skadd tilbehør vil vanligvis gå i stykker i løpet av en slik test.**
8. **Bruk personlig verneutstyr. Avhengig av bruksområdet, må du bruke visir eller vernebriller. Der det er aktuelt, må du bruke støvmaske, hørselvern, hansker og arbeidsforkle som kan stoppe små slipefragmenter eller deler fra arbeidsstykket.**

Øyevernet må kunne stoppe flygende biter som oppstår under ulike operasjoner. Støvmasken eller åndedrettsvernet må kunne filtrere ut partikler som oppstår under arbeidet. Lang tids eksponering for høy lyd kan gi hørselskader.

9. **Hold tilskuere på trygg avstand fra arbeidsområdet. Alle som beveger seg inn i arbeidsområdet må bruke personvernustyr.** Fragmenter fra arbeidsstykket eller fra skadet tilbehør kan slynges ut og forårsake skade utenfor det nære arbeidsområdet.
10. **Hold maskinen kun i det isolerte håndtaket når skjøreverktøyet kan komme i kontakt med skjulte ledninger eller maskinens egen ledning under arbeidet.** Hvis skjøretilbehøret får kontakt med strømførende ledninger, kan uisolerte metalldele i maskinen bli strømførende og kunne gi brukeren elektrisk støt.
11. **Plasser ledningen unna det roterende tilbehøret.** Hvis du mister kontrollen, kan ledningen kuttes av eller henge fast og hånden eller armen din kan bli trukket inn til det roterende tilbehøret.
12. **Ikke legg ned elektroverktøyet før tilbehøret har stoppet helt.** Det roterende tilbehøret kan få feste i overflaten og trekke elektroverktøyet ut av kontroll.
13. **Ikke kjør elektroverktøyet når du bærer det langs siden.** Utilsiktet kontakt med roterende tilbehør kan føre til at det fester i klærne og trekkes inn mot kroppen.
14. **Rengjør verktøyets luftventiler regelmessig.** Motorens vifte trekker støv inn i verktøyhuset og mye oppsamlet metallstøv kan medføre elektrisk fare.
15. **Ikke bruk elektroverktøyet nær brennbare materialer.** Gnister kan antenne slike materialer.
16. **Ikke bruk tilbehør som krever kjølevæske.** Bruk av vann eller andre kjølevæsker kan føre til elektrisk støt.

## Tilbakeslag og relaterte advarslar

Tilbakeslag er en plutselig reaksjon på en klemt eller fastsittende skive, bakrondell, børste eller annet tilbehør. Fastklemming forårsaker plutselig stopp av det roterende tilbehøret, noe som i sin tur gjør at det ukontrollerbare elektroverktøyet kastes i motsatt retning av tilbehørets rotasjonsretning ved fastklemmingspunktet

Hvis for eksempel en slipeskive klemmes fast i arbeidsstykket, kan kanten på skiven som er fastklemt, grave seg inn i overflaten på materialet og føre til at skiven graver seg ut eller slås ut. Skiven kan enten hoppe mot eller fra operatøren, avhengig av skivens bevegelse i fastklemmingspunktet. Slike forhold kan også føre til brudd i skivene.

Tilbakeslag er et resultat av feil bruk av elektroverktøyet eller feilaktige arbeidsprosedyrer eller arbeidsforhold, og det kan unngås hvis man tar de rette forholdsregler (se nedenfor).

- a) **Hold et godt grep om elektroverktøyet og plasser kroppen og armen slik at du kan motstå tilbakeslagskraften. Bruk alltid hjelpehåndtak når det følger med, for å få best mulig kontroll over tilbakeslag eller dreiemomentreaksjonen ved oppstart.** Operatøren kan kontrollere dreiemomentreaksjonen eller tilbakeslagskreftene hvis de riktige forholdsreglene tas.
- b) **Ikke plasser hånden nær det roterende tilbehøret.** Tilbehøret kan slå tilbake over hånden.
- c) **Ikke plasser kroppen i det området elektroverktøyet kan slå tilbake i.** Et tilbakeslag vil drive verktøyet tilbake i motsatt retning av skivens retning i fastklemmingspunktet.
- d) **Vær ekstra forsiktig ved arbeid i hjørner, på skarpe kanter og lignende. Unngå å støte eller klemme fast tilbehøret.** Hjørner, skarpe kanter eller støt har en tendens til å klemme fast det roterende tilbehøret og forårsake tap av kontrollen eller tilbakeslag.
- e) **Ikke monter et sagkjedeblad for treskjæring eller et tannet sagblad.** Slike blader forårsaker ofte tilbakeslag og tap av kontroll.

#### **Spesifikke sikkerhetsadvarsler for sliping og kapping :**

- a) **Bruk bare skiver som er anbefalt for elektroverktøyet.** Skiver som ikke er beregnet for verktøyet, kan ikke sikres godt nok og er utrygge.
- b) **Slipeoverflaten til skivene med forsenket nav må monteres under planet til vernet.** En feilmontert skive som stikker gjennom planet for vernet kan ikke tilstrekkelig beskyttes.
- c) **Vernet må festes godt til verktøyet og plasseres slik at det gir størst mulig sikkerhet og slik at minst mulig av skiven vender mot brukeren.** Vernet bidrar til å beskytte brukeren mot brukne skivefragmenter og utilsiktet kontakt med skiven og mot gnister som kan antenne klær.
- d) **Skiver må bare brukes slik det er anbefalt. For eksempel: Ikke slip med siden av en kappeskive.** Kappeskiver for pussing er bare beregnet for periferisk pussing. Sidekrefter mot disse skivene kan knuse dem.
- e) **Bruk alltid uskadede skiveflenser med riktig størrelse og form for skiven du har valgt.** Riktige skiveflenser støtter skiven og reduserer muligheten for skivebrudd. Skiveflenser for kappeskiver kan være forskjellige fra skiveflenser for slipeskiver.
- f) **Ikke bruk utslitte skiver fra større elektroverktøy.** Skiver fra større elektroverktøy passer ikke for den høyere hastigheten til mindre verktøy og kan sprekke.

#### **Ekstra sikkerhetsadvarsler for kapping :**

- a) **Ikke klem fast kappeskiven eller legg sterkt press på den. Ikke forsøk å foreta ekstra dype kutt.** Overbelastning av skiven øker belastningen og muligheten for vridning eller fastklemning av

skiven i kuttet, noe som kan føre til tilbakeslag eller skivebrudd.

b) **Ikke still deg på linje med eller bak den roterende skiven.** Når skiven beveger seg bort fra deg ved bruksstedet, kan det mulig tilbakeslag drive den roterende skiven og verktøyet rett mot deg.

c) **Når skiven setter seg fast eller når du av en eller annen grunn vil avbryte kappingen, må du slå av verktøyet og holde det stille til skiven har stoppet helt. Du må aldri forsøke å trekke kutteskiven ut av kuttet mens skiven er i bevegelse.** Det kan føre til tilbakeslag. Undersøk hvorfor skiven sitter fast og foreta nødvendige tiltak

d) **Start ikke kappingen på nytt mens skiven står i arbeidsstykket. La skiven få full hastighet og sett den forsiktig i kuttet.** Skiven kan sette seg fast, gå opp eller slå tilbake hvis verktøyet startes med skiven i arbeidsstykket.

e) **Støtt opp plater og større arbeidsstykker for å redusere faren for at bladet kommer i beknip og slår tilbake.** Store arbeidsstykker har en tendens til å bøye seg under sin egen vekt. Støttene må plasseres under arbeidsstykket på begge sider, nær kuttet og kanten av arbeidsstykket.

f) **Vær ekstra forsiktig når du foretar et innstikk i eksisterende vegger eller andre områder uten innsyn.** Den utstikkende skiven kan kutte gass- eller vannrør, elektriske ledninger eller gjenstander som kan forårsake tilbakeslag.

#### **Spesielle sikkerhetsadvarsler for pussing:**

a) **Ikke bruk for stort pussepapir. Følg produsentens anbefalinger når du velger pussepapir.** Stort papir som stikker utenfor pusseputen, kan forårsake oppriving og føre til slitasje eller tilbakeslag på skiven.

#### **Spesielle sikkerhetsadvarsler for stålborsting:**

a) **Vær oppmerksom på at metalltråder kan løsne fra børsten også ved vanlig bruk. Ikke overbelast metalltrådene ved å legge ekstra trykk på børsten.** Metalltrådene kan lett trenge gjennom tynne klær og hud.

b) **Hvis det anbefales bruk av vern ved stålborsting, må du unngå kontakt mellom stålborstesken eller børsten og vernet.** Stålskiver eller børster kan utvide seg på grunn av arbeidsbelastningen og sentrifugalkreftene.

#### **Ekstra sikkerhetsadvarsler:**

17. **Når du bruker slipeskiver med forsenket nav, må du passe på bare å bruke glassfiberarmerte skiver.**
18. **BRUK ALDRI denne vinkelsliperen med slipeskiver av typen Stone Cup.** Denne vinkelsliperen er ikke konstruert for denne typen hjul, og bruk av et slikt produkt kan resultere i alvorlige helseskader.
19. **Vær forsiktig så du ikke ødelegger spindelen, flensen (særlig monteringsflaten) eller**

låsemutteren. Skade på disse delene kan føre til at skiven brykker.

20. Forviss deg om at skiven ikke har kontakt med arbeidsstykket før startbryteren er slått på.
21. Før du begynner å bruke verktøyet på et arbeidsstykke, bør du la det gå en liten stund. Se etter vibrasjoner eller vingling som kan tyde på at skiven er dårlig balansert.
22. Bruk den angitte overflaten av skiven til å utføre slipingen.
23. Ikke gå fra verktøyet mens det er i gang. Verktøyet må bare brukes mens operatøren holder det i hendene.
24. Ikke berør arbeidsstykket umiddelbart etter bruk. Det kan være ekstremt varmt og kan gi deg brannskader.
25. Følg produsentens anvisninger for korrekt montering og bruk av skiver. Håndter og oppbevar skivene forsiktig.
26. Ikke bruk separate reduksjonsbøssinger eller adaptere for å tilpasse slipeskiver med store hull.
27. Bruk bare flenser som er spesifisert for denne maskinen.
28. For maskiner som er beregnet på å bli utstyrt med gjengehullsskive, må du forvise deg om at gjengen i hullet er lang nok til å passe til spindelengden.
29. Forviss deg om at arbeidsstykket står støtt.
30. Ta hensyn til at skiven fortsetter å rotere etter at maskinen er slått av.
31. Hvis arbeidsplassen er ekstremt varm og fuktig, eller svært forurensset med elektrisk ledende støv, må du bruke en kortslutningsbryter (30 mA) for å ivareta operatørens sikkerhet.
32. Ikke bruk maskinen på materialer som inneholder asbest.
33. Når du bruker kappeskiven, må du alltid bruke beskyttelseskappen med støvopsamlar, slik lokale bestemmelser krever.
34. Kappeskiver må ikke utsettes for trykk fra siden.

## TA VARE PÅ DISSE INSTRUKSENE.

### ⚠ADVARSEL:

Selv om du har brukt produktet mye og føler deg fortrolig med det, er det likevel svært viktig at du følger nøye de retningslinjene for sikkerhet som er utarbeidet for dette produktet. MISBRUK av verktøyet eller mislighold av sikkerhetsreglene i denne brukerhåndboken kan resultere i alvorlige helseskader.

## FUNKSJONSBEKRIVELSE

### ⚠FORSIKTIG:

- Forviss deg alltid om at maskinen er slått av og støpselet trukket ut av kontakten før du justerer maskinen eller kontrollerer dens mekaniske funksjoner.

### Spindellås

#### Fig.1

### ⚠FORSIKTIG:

- Du må aldri aktivere spindellåsen mens spindelen beveger seg. Maskinen kan bli ødelagt.

Trykk på spindellåsen for å forhindre spindelrotasjon når du monterer eller fjerner tilbehør.

### Bryterfunksjon

#### Fig.2

### ⚠FORSIKTIG:

- Før du forbinder verktøyet med stikkkontakten, må alltid kontrollere at skyvebryteren aktiverer som den skal og returnerer til AV-stilling (OFF) når baksiden av skyvebryteren trykkes.
- Bryteren kan sperres i "ON"-stilling for å gjøre det lettere for operatøren ved langvarig bruk. Vær forsiktig når du sperrer verktøyet i "ON"-stilling, og hold det godt fast.

Start verktøyet ved å skyve bakkdelen av glidebryteren mot posisjonen "I (på)". For kontinuerlig drift må du trykke på fremre del av glidebryteren for å låse denne.

Stopp verktøyet ved å trykke på bakre del av skyvebryteren, og skyv den deretter mot posisjonen "O (AV)".

## MONTERING

### ⚠FORSIKTIG:

- Forviss deg alltid om at maskinen er slått av og støpselet trukket ut av kontakten før du utfører noe arbeid på maskinen.

### Montere støttehåndtak (hjelpéhåndtak)

#### Fig.3

### ⚠FORSIKTIG:

- Forviss deg alltid om at støttehåndtaket er skikkelig montert før du tar maskinen i bruk.

Skru støttehåndtaket godt fast på maskinen i den stillingen som er vist på figuren.

### Montere eller demontere beskyttelseskappen (for skive med forsenket nav, klaffskive, flex-skive, skivebørste/kappeskive, diamantskive)

### ⚠ADVARSEL:

- Ved bruk av slipeskive med forsenket nav / klaffskive, flex-skive eller stålbørste, må

skivebeskyttelsen settes på verktøyet slik at den lukkede siden av kappen vender mot operatøren.

Ved bruk av slipeskive/diamantskive må du passe på å bruke bare det spesielle skivevernet som er beregnet på bruk med kappeskiver. (I enkelte europeiske land kan det vanlige vernet brukes ved bruk av diamantskive. Følg lokale forskrifter.)

#### **For verktøy med låseskrue med beskyttelseskappe**

##### **Fig.4**

Monter skivebeskyttelsen slik at fremspringet på skivebeskyttelsesbåndet er innrettet med hakket i lagerboksen. Drei deretter skivebeskyttelsen 180 ° mot klokken. Forviss deg om at du har trukket skruen godt til. Fjern beskyttelseskappen ved å følge installeringsfremgangsmåten i motsatt rekkefølge.

#### **For verktøy med klemmespak med beskyttelseskappe**

##### **Fig.5**

Trekk spaken verktøyet i pilens retning når skruen er løsnet. Monter skivebeskyttelsen slik at fremspringet på skivebeskyttelsesbåndet er innrettet med hakket i lagerboksen. Drei deretter skivebeskyttelsen 180 °.

##### **Fig.6**

Stram skivebeskyttelsen ved å stramme skruen etter at du har trukket spaken i pilens retning. Innstillingsvinkelen på skivebeskyttelsen kan justeres med spaken.

Fjern beskyttelseskappen ved å følge installeringsfremgangsmåten i motsatt rekkefølge.

#### **Montere eller fjerne skive med nedsenket nav eller klaffskive (valgfritt tilbehør)**

##### **⚠ADVARSEL:**

Ved bruk av slipeskive med forsenket nav / klaffskive, må skivebeskyttelsen settes på verktøyet slik at den lukkede siden av kappen vender mot operatøren.

##### **Fig.7**

Monter den indre flensen på spindelen. Sett skiven/disken på den indre flensen og skru låsemutteren på spindelen.

##### **Fig.8**

Stram låsemutteren ved å trykke så kraftig på spindellåsen at spindelen ikke kan rotere, og bruk låsemutternøkkelen til å stramme mutteren godt med klokken.

Fjern skiven ved å følge installeringsfremgangsmåten i motsatt rekkefølge.

#### **Superflens (valgfritt tilbehør)**

Modeller med bokstaven F er som standard utstyrt med superflens. Det er bare nødvendig med 1/3 kraft for å løsne låsemutteren sammenlignet med den konvensjonelle typen.

#### **Montere eller fjerne Ezynut (valgfritt tilbehør)**

##### **⚠FORSIKTIG:**

Ikke bruk Ezynut med superflens eller vinkelsliper med "F" til slutt i modellnummeret. Disse flensene er så tykke at spindelen ikke kan holde hele det gjengede området.

##### **Fig.9**

Mount inner flange, abrasive wheel and Ezynut onto the spindle so that Makita Logo on Ezynut faces outside.

##### **Fig.10**

Press aksellåsen godt på og stram Ezynut ved å dreie slipeskiven/ så langt som mulig med klokken. Drei den utvendige ringen på Ezynut moturs for å løsne.

##### **Fig.11**

##### **Fig.12**

##### **MERK:**

Du kan løsne Ezynut for hånd så lenge pilen peker mot innsnittet. Ellers må du bruke en låsemutternøkkel for å løsne den. Sett én stift på nøkkelen i et hull og drei Ezynut moturs.

#### **Montere eller fjerne flex-skiven (valgfritt tilbehør)**

##### **⚠ADVARSEL:**

Når du bruker flex-skiven må du alltid bruke medfølgende beskyttelse. Skiven kan splintres under bruk. Beskyttelseskappen bidrar til å hindre personskader.

##### **Fig.13**

Følg instruksjonene for skive med nedsenket nav, men bruk også plastrondellen over skiven. Se monteringsrekkefølge på tilbehørssiden i denne håndboken.

#### **Montere eller fjerne slipeskive (valgfritt tilbehør)**

##### **MERK:**

Bruk slipetilbehør spesifisert i denne håndboken. Disse må kjøpes separat.

##### **Fig.14**

Monter gummirondellen på spindelen. Sett skiven på gummirondellen og skru låsemutteren for sliping på spindelen. Stram låsemutteren for sliping ved å trykke så kraftig på spindellåsen at spindelen ikke kan rotere, og bruk låsemutternøkkelen til å stramme mutteren godt i klokkeretning.

Fjern skiven ved å følge installeringsfremgangsmåten i motsatt rekkefølge.

## Montere eller demontere støvdekseltillegg (valgfritt tilbehør)

### ⚠ADVARSEL:

- **Kontroller alltid av verktøyet er avslått og koblet fra strøm før du monterer eller fjerner støvavsugtilbehøret.** Hvis du ikke gjør dette kan det føre til skader på verktøyet eller personskader.

Det er fire typer støvavsugtilbehør, og alle brukes i ulike posisjoner.

### Fig.15

Fest støvavsugtilbehøret slik at markeringene (A, B, C eller D) er plassert som vist. Klem pinnene på plass i ventilasjonsåpningene.

Støvdekseltillegget kan demonteres for hånd.

### MERK:

- Rengjør støvdekseltillegget når det er tett på grunn av støv eller fremmedlegemer. Fortsatt bruk med tett støvdekseltillegg vil skade verktøyet.

## BRUK

### ⚠ADVARSEL:

- Det burde aldri være nødvendig å bruke makt på maskinen. Vekten av maskinen utøver passende trykk. Maktbruk og for stort trykk kan føre til farlig brudd i skiven.
- Skiven må ALLTID skiftes hvis maskinen mistes under sliping.
- ALDRI dunk eller slå slipeskiven mot arbeidsstykket.
- Unngå at skiven hopper eller setter seg fast, særlig ved sliping av hjørner, skarpe kanter osv. Dette kan føre til at du mister kontrollen, og at maskinen slår tilbake mot deg.
- Maskinen må ALDRI brukes med skjæreblader for tre eller andre sagblader. Hvis slike blader brukes på en slipemaskin, kan de ofte føre til slag fra maskinen, slik at operatøren mister kontrollen og blir skadet.

### ⚠FORSIKTIG:

- Maskinen må aldri slås på mens den er i berøring med arbeidsstykket, da dette kan skade operatøren.
- Bruk alltid vernebriller eller ansiktsmaske ved arbeid med maskinen.
- Når du er ferdig å bruke maskinen må du alltid slå den av og vente til skiven har stoppet helt før du setter maskinen ned.

## Sliping og pussing

### Fig.16

Maskinen må ALLTID holdes i et fast grep med en hånd på huset og den andre på støttehåndtaket. Slå verktøyet på, og sett deretter skiven på arbeidsstykket.

Som regel skal kanten på skiven ha en vinkel på 15 ° mot arbeidsstykkets overflate.

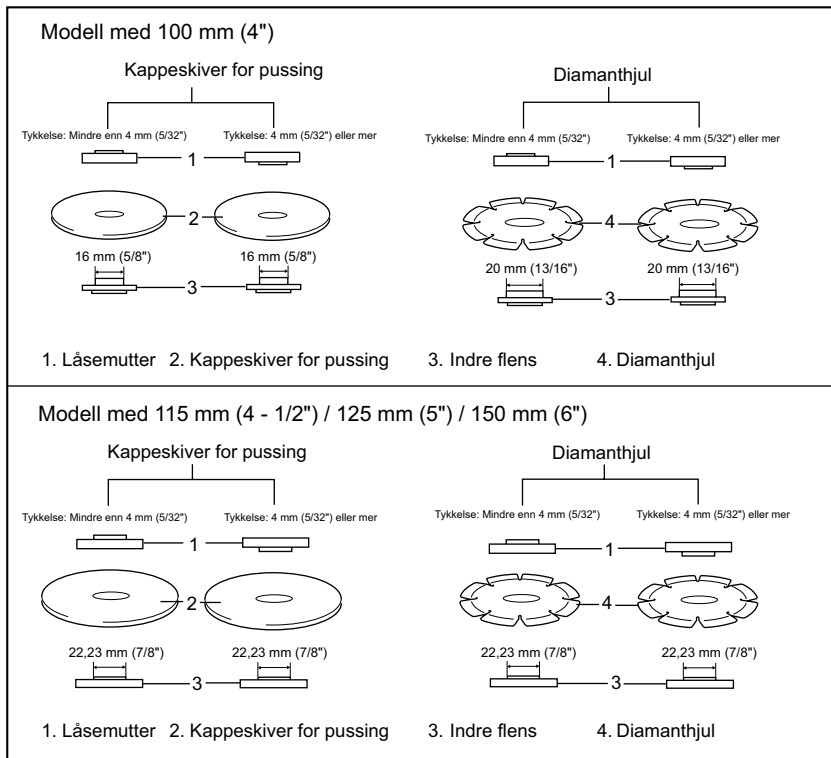
Når du først begynner å bruke en ny skive må du ikke bruke slipemaskinen i retningen B, ellers kan den skjære seg inn i arbeidsoverflaten. Så snart kanten av skiven er avrundet etter å være brukt litt, kan den brukes i både A- og B-retningen.

## Bruke kappeskive/diamantskive (valgfritt tilbehør)

Fig.17

Monteringsretningen for låsemutteren og den indre flensen varierer med tykkelsen på skiven.

Se tabellen nedenfor.



012746

### ⚠ ADVARSEL:

- Ved bruk av slipende kappeskive/diamantskive må du passe på å bruke bare det spesielle skivevernet som er beregnet på bruk med kappeskiver. (I enkelte europeiske land kan det vanlige vernet brukes ved bruk av diamantskive. Følg lokale forskrifter.)
- IKKE bruk kappeskiver til sideveis sliping.
- Ikke klem fast skiven eller legg sterk press på den. Ikke foreta ekstra dype kutt. For mye press på skiven øker belastningen og muligheten for vridning eller fastklemming av skiven i kuttet, noe som kan føre til tilbakeslag, skivebrudd og overoppheting av motoren.
- Ikke start kappingen på nytt mens skiven står i arbeidsstykket. La skiven få full hastighet og sett

den forsiktig i kuttet samtidig som du beveger verktøyet fremover over overflaten av arbeidsstykket. Skiven kan sette seg fast, vandre opp eller slå tilbake hvis verktøyet startes med skiven i arbeidsstykket.

- Ikke endre vinkel på skiven under bruk. Legger du sideveis press på kappeskiven (som ved pussing), kan det føre til at skiven sprekker og brytes i stykker, noe som kan føre til alvorlig personskade.
- En diamantskive skal brukes vinkelrett på materialet som kuttet.

### Bruke sirkulær stålborste (valgfritt tilbehør)

#### ⚠ FORSIKTIG:

- Kontroller driften av børsten ved å kjøre verktøyet uten belastning, og forsikre deg om at ingen er foran eller ved siden av børsten.

- Ikke bruk en børste som er skadet, eller som ikke er balansert. Hvis du bruker en skadet børste, kan dette øke faren for personskade ved kontakt med ødelagte børstråder.

#### Fig.18

Plugg fra verktøyet og legg det opp-ned, slik at du få enkel tilgang til spindelen. Fjern eventuelt tilleggsutstyr fra spindelen. Monter den sirkulære stålbørsten på spindelen og trekk til med den medfølgende nøkkelen. Når du bruker børsten, må du unngå å bruke for mye trykk, som fører til at trådene bøyes for mye, og børsten får redusert levetid.

#### Bruke skivebørste (valgfritt tilbehør)

##### ⚠FORSIKTIG:

- Kontroller driften av skivebørsten ved å kjøre verktøyet uten belastning, og forsikre deg om at ingen er foran eller ved siden av skivebørsten.
- Ikke bruk en skivebørste som er skadet, eller som ikke er balansert. Hvis du bruker en skadet skivebørste, kan dette øke faren for personskade ved kontakt med ødelagte børstråder.
- Bruk ALLTID beskyttelseskappen med skivebørster, og pass på at skivens diameter passer inne i beskyttelseskappen. Skiven kan splintres under bruk. Beskyttelseskappen bidrar til å hindre personskader.

#### Fig.19

Plugg fra verktøyet og legg det opp-ned slik at du får enkel tilgang til spindelen. Demonter alt tilbehør fra spindelen. Skru skivebørsten på spindelen og stram med nøklene.

Når du bruker skivebørsten, må du unngå å må du unngå å bruke for mye trykk, som fører til at trådene bøyes for mye, og børsten får redusert levetid.

## VEDLIKEHOLD

##### ⚠FORSIKTIG:

- Forviss deg alltid om at maskinen er slått av og støpselet trukket ut av kontakten før du foretar inspeksjon eller vedlikehold.
- Aldri bruk gasolin, bensin, tynner alkohol eller lignende. Det kan føre til misfarging, deformering eller sprekkdannelse.

#### Fig.20

Maskinen og dens lufteåpninger må holdes rene. Rengjør maskinens lufteåpninger med jevn mellomrom eller når åpningene begynner å tettes.

For å opprettholde produktets SIKKERHET og PÅLITELIGHET, må reparasjoner, inspeksjon og skifte av kullbørstene, vedlikehold og justeringer utføres av Makitas autoriserte servicesentre, og det må alltid brukes reservedeler fra Makita.

## VALGFRITT TILBEHØR

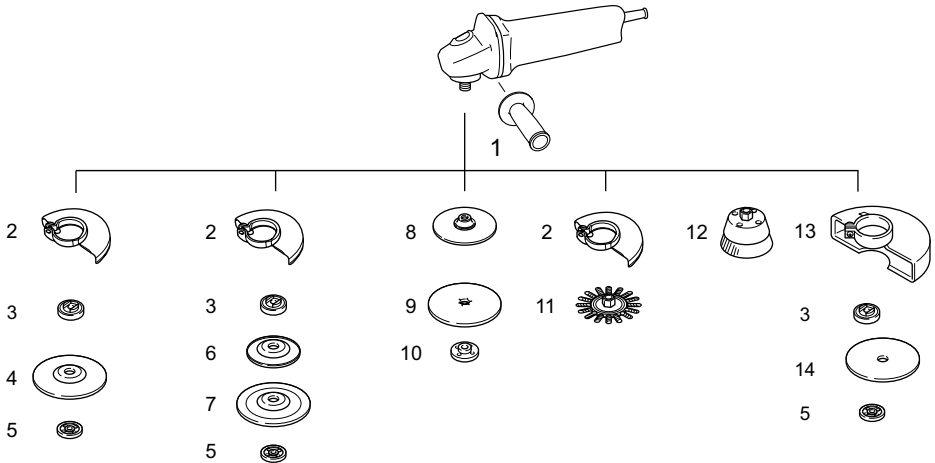
##### ⚠FORSIKTIG:

- Det anbefales at du bruker dette tilbehøret eller verktøyet sammen med den Makita-maskinen som er spesifisert i denne håndboken. Bruk av annet tilbehør eller verktøy kan forårsake helseskader. Tilbehør og verktøy må kun brukes til det formålet det er beregnet på.

Ta kontakt med ditt lokale Makita-servicesenter hvis du trenger mer informasjon om dette tilbehøret.

- Feste for støvhet





	Modell med 100 mm (4")	Modell med 115 mm (4-1/2")	Modell med 125 mm (5")	Modell med 150 mm (6")
1	Håndtak 36			
2	Skivebeskyttelse (for slipeskive)			
3	Indre flens	Indre flens Superflens	Indre flens Superflens	Indre flens Superflens
4	Skive med nedsenket nav / klaffskive			
5	Låsemutter	Låsemutter Ezynut *1	Låsemutter Ezynut *1	Låsemutter Ezynut *1
6	Plastpute	Plastpute	Plastpute	-
7	Flex-skive	Flex-skive	Flex-skive	-
8	Gummirondell 76	Gummirondell 100	Gummirondell 115	Gummirondell 125
9	Slipeskive			
10	Låsemutter for pussing			
11	Skivebørste			
12	Sirkulær stålbørste			
13	Skivebeskyttelse (for kappeskive) *2			
14	Slipende kappeskive/diamantskive			
-	Låsemutternøkkel			

Merk:

\*1 Ikke bruk superflens og Ezynut sammen.

\*2 I enkelte europeiske land kan du, ved bruk av diamantskive, bruke det vanlige vernet i stedet for spesialvernet som dekker begge sider av skiven. Følg lokale forskrifter.

013732

**MERK:**

- Enkelte elementer i listen kan være inkludert som standardtilbehør i verktøypakken. Elementene kan variere fra land til land.

## SUOMI (alkuperäiset ohjeet)

### Yleisselostus

1-1. Karalukitus	8-2. Karalukitus	15-1. Merkki A
2-1. Liukukytin	9-1. Ezynut	15-2. Merkki B
4-1. Laikan suojus	9-2. Hiomalaikka	15-3. Merkki C
4-2. Vaihdekotelo	9-3. Sisälaippa	15-4. Merkki D
4-3. Ruuvi	9-4. Kara	17-1. Lukkomutteri
5-1. Laikan suojus	10-1. Karalukitus	17-2. Hiova katkaisulaikka/timanttilaikka
5-2. Vaihdekotelo	11-1. Nuoli	17-3. Sisälaippa
5-3. Ruuvi	11-2. Lovi	17-4. Hiovan katkaisulaikan/timanttilaikan suojus
5-4. Vipu	13-1. Lukkomutteri	18-1. Teräskuppiharja
6-1. Ruuvi	13-2. Joustava laikka	19-1. Teräsharjalaikka
6-2. Vipu	13-3. Muovityyny	20-1. Poistoaukko
7-1. Lukkomutteri	13-4. Sisälaippa	20-2. Ilman tuloaukko
7-2. Keskeltä ohennettu laikka	14-1. Lukkomutteri hiontaan	
7-3. Sisälaippa	14-2. Hiomalaikka	
8-1. Lukkomutteriavain	14-3. Kumityyny	

## TEKNISET TIEDOT

Malli	GA4040	GA4540	GA5040	GA6040
Laikan halkaisija	100 mm (4")	115 mm (4-1/2")	125 mm (5")	150 mm (6")
Laikan enimmäispaksuus	6,4 mm			
Karan kierre	M10	M14 tai 5/8" (maakohtainen)		
Nimellisnopeus (n) / joutokäyntinopeus (n <sub>0</sub> )	11 000 min <sup>-1</sup>	11 000 min <sup>-1</sup>	11 000 min <sup>-1</sup>	9 000 min <sup>-1</sup>
Kokonaispituus	303 mm	303 mm	303 mm	303 mm
Nettopaino	2,3 kg	2,4 kg	2,4 kg	2,5 kg
Turvaluokitus	II/II			

- Jatkuvan tutkimus- ja kehitysohjelman vuoksi pidätämme oikeuden muuttaa tässä mainittuja teknisiä ominaisuuksia ilman ennakkoilmoitusta.
- Tekniset ominaisuudet saattavat vaihdella eri maissa.
- Paino EPTA-menetelmän 01/2003 mukaan

ENE048-1

### Käyttötarkoitus

Työkalu on tarkoitettu metallin ja kiven hiomiseen ja leikkaamiseen ilman vettä.

ENF002-2

### Virtalähde

Laitteen saa kytkeä vain sellaiseen virtalähteeseen, jonka jännite on sama kuin arvokilvessä ilmoitettu, ja sitä saa käyttää ainoastaan yksivaiheisella vaihtovirralla. Laitte on kaksinkertaisesti suojaeristetty, ja se voidaan siten kytkeä myös maadoittamattomaan pistorasiaan.

ENG905-1

### Melutaso

Tyypillinen A-painotettu melutaso määryytyy EN60745-standardin mukaan:

#### Malli GA4040, GA4540, GA5040

Äänenpainetaso (L<sub>PA</sub>): 86 dB(A)  
Äänen tehotaso (L<sub>WA</sub>): 97 dB(A)  
Virhemarginaali (K): 3 dB(A)

### Malli GA6040

Äänenpainetaso (L<sub>PA</sub>): 87 dB(A)  
Äänen tehotaso (L<sub>WA</sub>): 98 dB(A)  
Virhemarginaali (K): 3 dB(A)

### Käytä kuulosuojaimia

ENG900-1

### Tärinä

Värähtelyn kokonaisarvo (kolmiakselivektorin summa) on määritelty EN60745mukaan:

### Malli GA4040

Työtila : pintahionta tavallista sivukahvaa käyttäen  
Tärinän päästö (a<sub>h,AG</sub>) : 6,0 m/s<sup>2</sup>  
Epävakaas (K) : 1,5 m/s<sup>2</sup>

Työtila : pintahionta tärinävarmennettua sivukahvaa käyttäen  
Tärinän päästö (a<sub>h,AG</sub>) : 5,5 m/s<sup>2</sup>  
Epävakaas (K) : 1,5 m/s<sup>2</sup>

Työmenetelmä: laikkahionta normaalia sivukahvaa käyttäen

Tärinäpäästö ( $a_{h,DS}$ ): 2,5 m/s<sup>2</sup> tai vähemmän  
Virhemarginaali (K) : 1,5 m/s<sup>2</sup>

Työmenetelmä: laikkahionta tärinävaimennettua sivukahvaa käyttäen

Tärinäpäästö ( $a_{h,DS}$ ): 2,5 m/s<sup>2</sup> tai vähemmän  
Virhemarginaali (K) : 1,5 m/s<sup>2</sup>

#### Malli GA4540

Työtila : pintahionta tavallista sivukahvaa käyttäen

Tärinän päästö ( $a_{h,AG}$ ) : 6,5 m/s<sup>2</sup>  
Epävakaas (K) : 1,5 m/s<sup>2</sup>

Työtila : pintahionta tärinävarmennettua sivukahvaa käyttäen

Tärinän päästö ( $a_{h,AG}$ ) : 6,0 m/s<sup>2</sup>  
Epävakaas (K) : 1,5 m/s<sup>2</sup>

Työmenetelmä: laikkahionta normaalia sivukahvaa käyttäen

Tärinäpäästö ( $a_{h,DS}$ ): 2,5 m/s<sup>2</sup> tai vähemmän  
Virhemarginaali (K) : 1,5 m/s<sup>2</sup>

Työmenetelmä: laikkahionta tärinävaimennettua sivukahvaa käyttäen

Tärinäpäästö ( $a_{h,DS}$ ): 2,5 m/s<sup>2</sup> tai vähemmän  
Virhemarginaali (K) : 1,5 m/s<sup>2</sup>

#### Malli GA5040, GA6040

Työtila : pintahionta tavallista sivukahvaa käyttäen

Tärinän päästö ( $a_{h,AG}$ ) : 7,0 m/s<sup>2</sup>  
Epävakaas (K) : 1,5 m/s<sup>2</sup>

Työtila : pintahionta tärinävarmennettua sivukahvaa käyttäen

Tärinän päästö ( $a_{h,AG}$ ) : 6,0 m/s<sup>2</sup>  
Epävakaas (K) : 1,5 m/s<sup>2</sup>

Työmenetelmä: laikkahionta normaalia sivukahvaa käyttäen

Tärinäpäästö ( $a_{h,DS}$ ): 2,5 m/s<sup>2</sup> tai vähemmän  
Virhemarginaali (K) : 1,5 m/s<sup>2</sup>

Työmenetelmä: laikkahionta tärinävaimennettua sivukahvaa käyttäen

Tärinäpäästö ( $a_{h,DS}$ ): 2,5 m/s<sup>2</sup> tai vähemmän  
Virhemarginaali (K) : 1,5 m/s<sup>2</sup>

ENG902-1

- Ilmoitettu tärinäpäästöarvo on mitattu standarditestausmenetelmän mukaisesti, ja sen avulla voidaan vertailla työkaluja keskenään.
- Ilmoitettua tärinäpäästöarvoa voidaan käyttää myös altistumisen alustavaan arviointiin.
- Ilmoitettu tärinäpäästöarvo koskee tämän työkalun pääasiallisia käyttötarkoituksia. Tärinäpäästöarvo voi kuitenkin muuttua, jos työkalua käytetään muihin tarkoituksiin.

#### ⚠VAROITUS:

- Työkalun käytön aikana mitattu todellinen tärinäpäästöarvo voi poiketa ilmoitetusta tärinäpäästöarvosta työkalun käyttötavan mukaan.
- Selvitä käyttäjän suojaamiseksi tarvittavat varotoimet todellisissa käyttöolosuhteissa tapahtuvan arvioidun altistumisen mukaisesti (ottaen huomioon käyttöjaksot kokonaisuudessaan, myös jaksot, joiden aikana työkalu on sammutettuna tai käy tyhjäkäynnillä).

ENH101-16

#### Koskee vain Euroopan maita

#### VAKUUTUS EC-VASTAAVUUDESTA

**Vastuullinen valmistaja Makita Corporation ilmoittaa vastaavansa siitä, että seuraava(t) Makitan valmistama(t) kone(et):**

Koneen tunnistetiedot:

Kulmahiomakone

Mallinro/Tyyppi: GA4040, GA4540, GA5040, GA6040

ovat sarjavalmisteisia ja

**Täyttävät seuraavien eurooppalaisten direktiivien vaatimukset:**

2006/42/EC

Ja että ne on valmistettu seuraavien standardien tai standardoitujen asiakirjojen mukaisesti:

EN60745

Teknisen dokumentaation ylläpidosta vastaa:

Makita International Europe Ltd.

Technical Department,

Michigan Drive, Tongwell,

Milton Keynes, Bucks MK15 8JD, England

17.8.2011



000230

Tomoyasu Kato

Johtaja

Makita Corporation

3-11-8, Sumiyoshi-cho,

Anjo, Aichi, 446-8502, JAPAN

GEA010-1

## Sähkötyökalujen käyttöä koskevat varoitukset

⚠ **VAROITUS** Lue kaikki turvallisuusvaroitukset ja käyttöohjeet. Varoitusten ja ohjeiden noudattamatta jättäminen voi johtaa sähköiskuun, tulipaloon ja/tai vakavaan vammautumiseen.

**Säilytä varoitukset ja ohjeet tulevaa käyttöä varten.**

# HIOMAKONEEN TURVALLISUUSOHJEET

Hiontaa, hiekkapaperihiontaa, harjausta ja katkaisua koskevat yleiset varoitukset:

1. Tätä sähkötyökalua voidaan käyttää hiomakoneena, hiekkapaperihiomakoneena, teräsharjana ja katkaisulaitteena. Tutustu kaikkiin työkalun mukana toimitettuihin varoituksiin, ohjeisiin, kuviin ja teknisiin tietoihin. Jos ohjeiden noudattaminen laiminlyödään, seurauksena voi olla sähköisku, tulipalo ja/tai vakava vammautuminen.
2. Älä käytä työkalua kiillottamiseen. Jos työkalua käytetään muuhun kuin aiotuun tarkoitukseen, seurauksena voi olla vaaratilanteita ja vammautumisriskejä.
3. Älä käytä sellaisia lisävarusteita, jotka eivät ole nimenomaan valmistajan suunnittelemat tai suosittelemat. Vain, koska lisävaruste voidaan liittää tehokoneeseen, se ei varmista turvallista toimintaa.
4. Lisävarusteen määrätyn nopeuden täytyy olla ainakin samanvertainen tehokoneessa osoitetun enimmäisnopeuden kanssa. Sellaiset lisävarusteet, jotka menevät nopeammin, kuin määrätty nopeus, voivat rikkoutua ja lentää palasiksi.
5. Lisävarusteesi ulkohalkaisijan ja paksuuden on oltava tehokoneesi kapasiteettimitoituksen kantaman sisällä. Väärin mitoitetuja lisävarusteita ei voida sopivasti vartioita tai ohjata.
6. Lisävarusteiden kierteitetyn asennuskiinnityksen on vastattava hiomakoneen karan kierteitä. Laippa-asennettavien lisävarusteiden asennusreiän on vastattava kohdistuslaipan halkaisijaa. Jos lisävaruste ei sovi sähkötyökalun asennusvarustukseen, sähkötyökalu ei ole tasapainossa. Se voi tärähtää voimakkaasti, mikä voi aiheuttaa työkalun hallinnan menetyksen.
7. Älä käytä viallisia lisävarusteita. Ennen jokaista käyttökertaa tarkista, että hiomalaikassa ei ole lohkeamia tai halkeamia, tynnyissä ei ole halkeamia tai merkkejä liiallisesta kulumisesta ja että teräsharjan harjakset eivät ole irti tai halkeilleet. Jos työkalu tai lisävaruste pääsee putoamaan, tarkista sen kunto tai vaihda varuste ehjään. Lisävarusteen tarkastuksen ja asennuksen jälkeen asetu niin, että sinä et voi käyttää mahdolliset sivulliset ole pyörivän lisävarusteen tasossa ja käytä laitetta suurimmalla sallitulla joutokäyntinopeudella yhden minuutin ajan. Viallinen lisävaruste yleensä hajoaa tässä kokeessa.
8. Käytä suojarusteita. Käytä käyttötarkoituksen mukaisesti kasv suojuusta,

suojalaseja tai sivusuojilla varustettuja lasia.

9. Käytä tarvittaessa hengityssuojainta, kuulosuojaimia, hansikkaita ja työessua, joka suojaa pieniltä pirstaleilta. Suojalasin täytyy suojata kaikenlaisista töistä aiheutuilta lentäviltä pirstaleilta. Hengityssuojaimen täytyy suodattaa työskentelyn tuottamat hiukkaspartikkelit. Pitkäaikainen altistuminen voimakkaalle melulle voi vahingoittaa kuuloa.
9. Pidä sivustakatsojat turvallisen välimatkan päässä työalueelta. Kaikkien työalueelle astuvien henkilöiden on käytettävä henkilökohtaisia suojarusteita. Työkappaleen tai rikkoutuneen lisävarusteen pirstaleet voivat aiheuttaa vammautumisen välittömästi toiminta-alueen ulkopuolella.
10. Jos on mahdollista, että työkalun terä osuu piilossa oleviin johtoihin tai koneen omaan virtajohtoon, pidä leikatessasi kiinni työkalusta sen eristetyistä tartuntapinnoista. Jos laikka osuu virralliseen johtoon, työkalun sähköä johtavat metalliosat voivat aiheuttaa käyttäjälle sähköiskun.
11. Aseta johto varmaan paikkaan pyörivästä lisävarusteesta. Jos menetät hallintakykyä, johto voi katketa tai repeytyä ja kätesi voi joutua pyörivään lisävarusteeseen.
12. Älä koskaan laita tehokoneita alas, ennen kuin lisävaruste on täysin pysähtynyt. Pyörivä lisävaruste voi tarata pintaan ja vetää tehokoneen ohjauksista.
13. Älä anna tehokoneen mennä sillä välin, kun kannat sitä sivullasi. Vahingossa aiheutuva lisävarusteen pyöräminen voi repiä vaatteesi, vetäen lisävarusteen kehoosi.
14. Puhdista työkalun ilma-aukot säännöllisesti. Moottorin tuuletin imee pölyä koteloon, ja metallijauheen kerääntyminen laitteeseen voi aiheuttaa sähköiskuvaaran.
15. Älä käytä tehokoneita tulenarkojen materiaalien lähellä. Kipinat voivat sytyttää nämä materiaalit.
16. Älä käytä sellaisia lisävarusteita, jotka vaativat jäähdytysnestettä. Jos käytät vettä tai muuta jäähdytysnestettä, se voi aiheuttaa sähkötapaturman tai -iskun.

## Takapotku ja siihen liittyvät varoitukset

Takapotku on kiinni juuttuneen laikan, tynnyin, harjan tai muun lisävarusteen aiheuttama äkillinen sysäys. Kiinni juuttuminen tai takertelu aiheuttaa sen, että pyörivä lisävaruste pysähtyy, mikä puolestaan alkaa työntää laitetta hallitsemattomasti pyörimisliikkeelle vastakkaiseen suuntaan. .

Jos esimerkiksi hiomalaikka juuttuu työkappaleeseen, juuttumiskohtaan pureutumassa oleva laikka voi tunkeutua kappaleen pintaan, jolloin se kiipeää ylös tai potkaisee taaksepäin. Laikka voi hypätä joko käyttäjää kohti tai pois päin sen mukaan, mihin suuntaan laikka oli

siirtymässä juuttumiskohdassa. Hiomalaikka voi tällöin rikkoutua.

Takapotku johtuu laitteen virheellisestä käytöstä ja/tai käyttötavasta tai olosuhteista. Takapotku voidaan välttää seuraavien varotoimien avulla.

a) **Pidä yllä vahva pito tehokoneessa ja aseta kehosi ja käsivartesi siten, että voit vastustaa takapotkun voimaa. Käytä aina apukahvaa, jos annettu mukana, takapotkujen tai vääntömomentin maksimi hallinnon vuoksi käynnistyksen aikana.** Käyttäjää voi hallita vääntömomentin reaktioita tai takapotkun voimaa, jos noudattaa sopivia varotoimenpiteitä.

b) **Älä koskaan aseta kättäsi pyörivän lisävarusteen lähelle.** Lisävaruste saattaa takapotkaista kätesi yliite.

c) **Asetu niin, että et jää laitteen tielle takapotkun sattuessa.** Takapotku heittää laitetta päinvastaiseen suuntaan kuin mihin laikka pyörii.

d) **Sovella erityistä huolta, kun teet kulmia, teräviä reunoja, jne. Vältä lisävarusteen ponnahtamista tai repeytymistä.** Kulmilla, terävillä reunoilla tai ponnahtamisella on tapana repäistä pyörivää lisävarustetta ja aiheuttaa hallinnan menettämisen tai takapotkun.

e) **Älä käytä tässä työkalussa puun sahaamiseen tarkoitettua ketjuterää tai hammastettua terää.** Sellaisten terien käyttäminen johtaa jatkuviin takapotkuihin ja hallinnan menettämiseen.

**Hiontaa ja katkaisua koskevat erityiset varoitukset:**

a) **Käytä vain laitteeseen tarkoitettuja laikkatyypppejä ja kyseiselle laikalle tarkoitettua erikoissuojaa.** Muita kuin laitteeseen nimenomaan tarkoitettua laikkoja ei voida suojata kunnolla, ja siten ne eivät ole turvallisia.

b) **Napasyvennettyjen laikkojen hiomapinna on oltava suojareunan tason alapuolella.** Väärin asennettua laikkaa, joka työnty suojareunan tason läpi, ei ole asianmukaisesti suojattu.

c) **Suoja on kiinnitettävä laitteeseen tukevasti turvalliseen asentoon niin, että mahdollisimman pieni osa laikasta näkyy käyttäjää kohti.** Suoja suojaa käyttäjää rikkoutuneen laikan palasilta ja kipinöiltä, jotka voisivat syyttää vaatteet palamaan, sekä estää koskettamasta laikkaa vahingossa.

d) **Laikkoja saa käyttää vain suositeltuihin käyttötarkoitukseen.** Esimerkiksi: älä yritä hioa kallaleita katkaisulaikan sivulla.

Katkaisulaikkaa käytettäessä hionta tapahtuu vain laikan kehällä. Sivuttaisvoimat voivat rikkoa laikan.

e) **Käytä aina ehjiä ja oikean kokoisia laikkalaippoja, joiden muoto vastaa valittua laikkaa.** Oikeantyyppiset laikkalaipat tukevat laikkaa ja pienentävät näin laikan rikkoutumisriskiä. Katkaisulaikkoihin tarkoitetut laipat voivat olla erilaisia kuin hiomalaikkojen laipat.

f) **Älä käytä isommista sähkötyökaluista otettuja kuluneita laikkoja.** Isoihin sähkötyökaluihin tarkoitetut laikat eivät sovi suuremmalla nopeudella toimiviin pienempiin työkaluihin ja voivat siksi hajota.

**Katkaisua koskevat lisävaroitukset:**

a) **Älä anna katkaisulaikan ”jumittua” äläkä paina laitetta liian voimakkaasti. Älä yritä tehdä liian syvää uraa.** Laikan liika painaminen lisää kuormitusta ja laikan vääntymis- tai juuttumisriskiä, jolloin seurauksena voi olla takapotku tai laikan rikkoutuminen.

b) **Älä asetu samaan linjaan pyörivän laikan taakse.** Kun laikka käytettäessä liikkuu käyttäjästä poispäin, mahdollinen takapotku voi syyttää pyörivän laikan ja työkalun suoraan käyttäjää kohti.

c) **Kun laikka takertele tai kun työ joudutaan jostakin syystä keskeyttämään, katkaise laitteesta virta ja pidä sitä paikoillaan liikkumatta, kunnes laikka on täysin pysähtynyt.** Älä koskaan yritä irrottaa laikkaa urasta, kun laikka vielä pyörii, koska seurauksena voi olla takapotku. Selvitä laikan takertelun syy ja tee tarvittavat korjaavat toimenpiteet.

d) **Älä käynnistä laitetta niin, että se on kiinni työkalupaleessa.** Anna laikan savuttaa täysi pyörimisnopeus ja työnnä laikka sitten varovasti leikkuu-uraan. Jos laite käynnistetään niin, että se on kiinni työkalupaleessa, laikka voi takertua, työntyä taaksepäin tai ponnahtaa ylös.

e) **Vähennä laikan takertelu- ja takapotkuriskiä tukemalla paneelit ja ylisuuret työkalupaleet huolellisesti.** Isot työkalupaleet pyrkivät taipumaan omasta painostaan. Levy on tuettava molemmilta puolilta sekä leikkulinjan vierestä että reunoilta.

f) **Ole erityisen varovainen, kun leikkaat ”taskuja” valmiisiin seinii tai muihin umpinaiisiin rakenteisiin.** Laikka voi katkaista kaasu- tai vesiputkia tai sähköjohtajia tai osua takapotkun aiheuttaviin esteisiin.

**Hiekkapaperihiontaa koskevat erikoismääräykset:**

a) **Älä käytä ylikokoista hiomalaikkapaperia.** Noudata hiekkapaperin valinnassa valmistajan suosituksia. Hiomatyydyn ulkopuolella ulottuva hiekkapaperi voi revetä ja aiheuttaa takertelua, laikkavaurioita tai takapotkun.

**Teräsharjausta koskevat erityiset varoitukset:**

a) **Ota huomioon, että harjaksia itoaa harjasta myös normaalkäytössä.** Älä kuormita harjaksia turhaan painamalla liian voimakkaasti. Harjokset voivat helposti tunkeutua vaateiden ja/tai ihon läpi.

b) **Jos harjauksessa suositellaan käytettäväksi suojusta, älä anna harjauslaikan tai harjan ottaa suojukseen.** Harjauslaikan tai harjan halkaisija voi kasvaa kuormituksen ja keskipakovoiman vaikutuksesta.

## Turvallisuutta koskevat lisävaroitukset:

17. Jos käytät hiomalaikkaa, jossa on upotettu keskiö, varmista, että laikka on lasikuituvahvisteinen.
18. **ÄLÄ KOSKAAN** käytä tässä hiomakoneessa kiven hiontaan tarkoitettuja kuppilaikkoja. Hiomakonetta ei ole suunniteltu tämän tyyppisten laikkojen käyttöön. Vääräntyyppisten laikkojen käyttö voi aiheuttaa vakavan henkilövahingon.
19. Varo, ettet vahingoita karaa, laippaa (erityisesti asennuspintaa) tai lukkomutteria. Näiden varaosien vahingoittuminen voi aiheuttaa pyörän rikkoutumisen.
20. Varmista, että laikka ei kosketa työkappaleeseen, ennen kuin virta on kytketty päälle kytkimestä.
21. Ennen kuin käytät työkalua nimenomaiseen työkappaleeseen, anna sen juosta jonkin aikaa. Varo, ettei se värähtele tai tärisi, joka voi on merkki siitä, että laikka on huonosti asennettu tai tasapainoitettu.
22. Käytä hiontaan siihen tarkoitettua laikan pintaa.
23. Älä jätä konetta käymään itsekseen. Käytä laitetta vain silloin, kun pidät sitä kädessä.
24. Älä kosketa työkappaleita heti käytön jälkeen, sillä se saattaa olla erittäin kuuma ja polttaa ihoa.
25. Noudata valmistajan antamia ohjeita laikkojen oikeasta asennuksesta ja käytöstä. Käsittele laikkoja varoen ja säilytä niitä turvallisessa paikassa.
26. Älä käytä erillisiä supistusholkkeja tai sovittimia isoaukkoisten hiomalaikkojen kiinnitykseen.
27. Käytä ainoastaan tälle työkalulle tarkoitettuja laippoja.
28. Kun käytät kierrereiällä varustetuille laikoille tarkoitettua työkalua, varmista, että laikan kierteet vastaavat pituudeltaan a.
29. Varmista, että työkappale on tukevasti paikoillaan.
30. Ota huomioon, että laikka jatkaa pyörimistään vielä sen jälkeen, kun virta on katkaistu.
31. Jos työtila on erittäin kuumin ja kostea tai siinä esiintyy runsaasti sähköä johtavaa pölyä, varmista turvallisuus käyttämällä vikavirtakatkaisinta (30 mA).
32. Älä hio tai leikkaa työkalulla mitään asbestia sisältäviä materiaaleja.
33. Käytä aina paikallisten määräysten edellyttämää pölyä keräävää laikansuojusta.
34. Katkaisulaikkaa ei saa painaa sivusuunnassa.

## SÄILYTÄ NÄMÄ OHJEET.

## ⚠VAROITUS:

**ÄLÄ** anna työkalun helppokäyttöisyyden tai toistuvan käytön tuudittaa sinua väärään turvallisuuden tunteeseen niin, että laiminlyöt työkalun turvaohjeiden noudattamisen. **VÄÄRINKÄYTTÖ** tai tämän käyttöohjeen turvamääräysten laiminlyönti voi johtaa vakaviin henkilövahinkoihin.

## TOIMINTOJEN KUVAUS

### ⚠HUOMIO:

- Varmista aina ennen koneen säätöjen ja toiminnallisten tarkistusten tekemistä, että kone on sammutettu ja irrotettu pistorasiasta.

### lukitus

#### Kuva1

### ⚠HUOMIO:

- Älä koskaan kytke lukkoa päälle n pyöriessä. Työkalu voi rikkoutua.

Kun kiinnität tai irrotat lisälaitteita, estä a pyörimistä painamalla lukitusta.

### Kytkimen käyttäminen

#### Kuva2

### ⚠HUOMIO:

- Ennen kuin kytket työkaluun sähkövirran, tarkista, että liukukytkin kytkeytyy oikein ja palautuu OFF-asentoon, kun liukukytkimen takaosaa painetaan.
- Kytkimen voi lukita "ON" asentoon, jotta pitkäaikainen käyttö helpottaisi käyttäjälle. Ole varovainen, kun lukitset työkalun "ON" asentoon ja pidä työkalusta luja ote.

Käynnistä työkalu siirtämällä liukukytkin asentoon I (ON) työntämällä liukukytkimen takaosaa. Jos haluat käyttää konetta jatkuvalla käynnillä, lukitse kytkinvipu painamalla sen etuosaa.

Työkalu pysäytetään painamalla kytkinvivun takaosaa ja työntämällä kytkinvipu asentoon O (OFF).

## KOKOONPANO

### ⚠HUOMIO:

- Varmista aina ennen koneelle tehtäviä toimenpiteitä, että kone on sammutettu ja irrotettu pistorasiasta.

### Sivukahvan asentaminen (kahva)

#### Kuva3

### ⚠HUOMIO:

- Varmista aina ennen käyttöä, että sivukahva on tukevasti paikoillaan.

Kiinnitä sivukahva koneeseen kuvan osoittamalla tavalla.

## **Laikan suojuksen kiinnittäminen ja irrottaminen (upotetulla navalla varustettu laikka, lamellilaikka, joustava laikka, teräsharjalaikka / hiova katkaisulaikka, timanttilaikka)**

### **VAROITUS:**

- Jos käytössä on upotetulla navalla varustettu hiomalaikka, lamellilaikka, joustava laikka tai teräsharjalaikka, laikan suojuksen upotetulla puolella tulee aina käyttäjää kohti.
- Varmista hiovaa katkaisulaikkaa / timanttilaikkaa käyttäessäsi, että käytät ainoastaan katkaisulaikkojen kanssa käytettäväksi tarkoitettua erikoislaikansuojusta. (Joissakin Euroopan maissa voidaan käyttää timanttilaikan kanssa tavallista suojusta. Noudata omassa maassasi voimassa olevia määräyksiä.)

### **Lukitusruuvi-tyypisillä laikkasuojuksilla varustetulle työkalulle**

#### **Kuva4**

Kiinnitä laikan suojuksen kiinnityspannan ulokkeet tulevat laakerikotelon lovien kohdalle. Käännä sitten laikan suojusta 180 ° vastapäivään. Kiristä ruuvit huolellisesti.

Irrota laikan suojuksen päinvastaisessa järjestyksessä.

### **Kiristysruuvi-tyypisillä laikkasuojuksilla varustetulle työkalulle**

#### **Kuva5**

Vedä vipua nuolen suuntaan ruuvien löysäämisen jälkeen. Kiinnitä laikan suojuksen kiinnityspannan ulokkeet tulevat laakerikotelon lovien kohdalle. Käännä sitten laikan suojusta 180 °.

#### **Kuva6**

Vedä vipua nuolen suuntaan ja kiristä laikan suojuksen kiinnittämällä ruuvi. Laikan suojuksen asennuskulma säädetään vivulla.

Irrota laikan suojuksen päinvastaisessa järjestyksessä.

### **Upotetulla navalla varustetun laikan tai lamellilaikan (lisävaruste) asentaminen**

### **VAROITUS:**

- Jos käytössä on upotetulla navalla varustettu laikka tai lamellilaikka, laikan suojuksen upotetulla puolella tulee aina käyttäjää kohti.

#### **Kuva7**

Aseta sisälaippa an. Sovita laikka sisälaippaan ja kiinnitä lukkomutteri an.

#### **Kuva8**

Kiristä lukkomutteri painamalla lukkoa voimakkaasti niin, ettei pääse pyörimään, ja kiristä lukkomutteri sitten lukkomutteriavaimella myötäpäivään.

Laikka irrotetaan päinvastaisessa järjestyksessä.

## **Superlaikka (lisävaruste)**

F-kirjaimella merkityissä malleissa on vakiovarusteena superlaippa. Sen ansiosta lukkomutterin avaamiseen tarvitaan vain 1/3 tavallisen laipan edellyttämästä aukaisuvoimasta.

### **Ezynutin (lisävaruste) kiinnittäminen ja irrottaminen**

#### **HUOMIO:**

- Älä käytä Ezynutia superlaipan kanssa tai kulmahiomakoneissa, joiden mallinumeron lopussa on F-kirjain. Nämä laipat ovat niin paksuja, ettei karan koko kierrettä voi käyttää.

#### **Kuva9**

Kiinnitä sisälaippa, hiomalaikka ja Ezynut karaan niin, että Ezynutin Makita-logo näkyy ulospäin.

#### **Kuva10**

Paina karalukkoa tiukasti ja kiristä Ezynut kiertämällä hiomalaikkaa myötäpäivään niin pitkälle kuin se menee. Voit löysätä kiinnityksen kiertämällä Ezynutin ulkokehää vastapäivään.

#### **Kuva11**

#### **Kuva12**

#### **HUOMAUTUS:**

- Ezynut voidaan löysätä käsivoimin aina, kun nuoli on loven kohdalla. Muissa tapauksissa avaamiseen tarvitaan sakara-avainta. Sovita yksi avaimen sakara koloon ja kierrä Ezynutia vastapäivään.

### **Joustolaikan (lisävaruste) kiinnittäminen ja irrottaminen**

### **VAROITUS:**

- Käytä aina mukana toimitettua suojusta, kun joustolaikka on kiinni työkalussa. Laikka voi hajota käytössä, joten suojuksen vähentää vammautumiskäyttöä.

#### **Kuva13**

Noudata upotetulla navalla varustettua laikkaa koskevia ohjeita, mutta käytä lisäksi laikan päällä muovityynyä. Katso asennusjärjestys tämän ohjeen lisävarustesivulta.

### **Hiomalaikan (lisävaruste) kiinnittäminen ja irrottaminen**

#### **HUOMAUTUS:**

- Käytä vain tässä ohjekirjassa määritettyjä hiomakoneita. Ne on ostettava erikseen.

#### **Kuva14**

Asenna kumityyny karaan. Sovita laikka kumityynyyn ja kiinnitä hiomalaikan lukkomutteri karaan. Kiristä hiomalaikan lukkomutteri painamalla akselilukkoa voimakkaasti niin, ettei kara pääse pyörimään, ja kiristä lukkomutteri sitten kiertämällä lukkomutteriavaimella myötäpäivään.

Irrota laikka päivntaisessa järjestyksessä.

#### **Pölykannen kiinnittimen asennus ja irrotus (Vaihtoehtoinen lisävaruste)**

##### **⚠VAROITUS:**

- **Varmista aina ennen pölykannen kiinnittimen asennusta ja irrotusta, että työkalu on sammutettu ja sen virtajohto on irrotettu.** Muuten seurauksena voi olla työkalu vaurioituminen tai vammautuminen.

Pölykannen kiinnittimiä on neljä, ja kutakin tulee käyttää eri asennoissa.

#### **Kuva15**

Asenna pölykannen kiinnitin niin, että merkintä (A, B, C tai D) tulee kuvassa näkyvään paikkaan. Napsauta sen kiinnikkeet ilmanvaihtoaukkoihin.

Pölykannen kiinnittimen voi poistaa käsin.

##### **HUOMAUTUS:**

- Puhdista pölykannen kiinnitin, kun se on tukkeutunut vierailta aineilla. Työn jatkaminen tukkeutuneella pölykannen kiinnittimellä vahingoittaa työkalua.

## **TYÖSKENTELY**

##### **⚠VAROITUS:**

- Älä koskaan pakota konetta. Koneen oma paino riittää. Pakottaminen ja liiallinen painaminen voi aiheuttaa vaarallisen laikan rikkoutumisen.
- Vaihda laikka AINA, jos kone pääsee putoamaan hionnan aikana.
- **ÄLÄ KOSKAAN** iske tai kolhi laikkaa työkappaleeseen.
- Vältä laikan pomppimista ja jumittumista varsinkin silloin, kun työstät nurkkia, teräviä reunoja ja niin edelleen. Seurauksena voi olla hallinnan menetys ja takapotku.
- **ÄLÄ KOSKAAN** asenna koneeseen puun leikkaamiseen tarkoitettuja teriä tai muita sahanteriä. Kulmahiomakoneessa käytettynä nämä terät aiheuttavat lähes poikkeuksetta takapotkun ja hallinnan menetyksen, jolloin seurauksena voi olla henkilövahinkoja.

##### **⚠HUOMIO:**

- Älä koskaan käynnistä konetta, kun se koskettaa työkappaleeseen, koska tämä voi aiheuttaa käyttäjälle vammoja.
- Käytä aina suojalaseja tai kasvosuojusta käytön aikana.
- Käytön jälkeen katkaise koneesta aina virta ja odota, kunnes laikka on täysin pysähtynyt ennen kuin lasket koneen käsistä.

#### **Hionta**

##### **Kuva16**

Ota työkalusta AINA tukeva ote toinen käsi rungossa ja toinen sivukahvassa. Kytke työkaluun ensin virta ja työnnä sitten laikka kiinni työkappaleeseen.

Yleensä laikan reuna kannattaa pitää noin 15 asteen kulmassa työkappaleen pintaan nähden.

Älä käytä hiomakonetta suuntaan B uuden laikan totutuskäytön aikana, sillä se saa laikan pureutumaan kiinni työkappaleeseen. Sitten kun laikan reuna on käytössä pyörästynyt, konetta voidaan käyttää sekä suuntaan A että B.

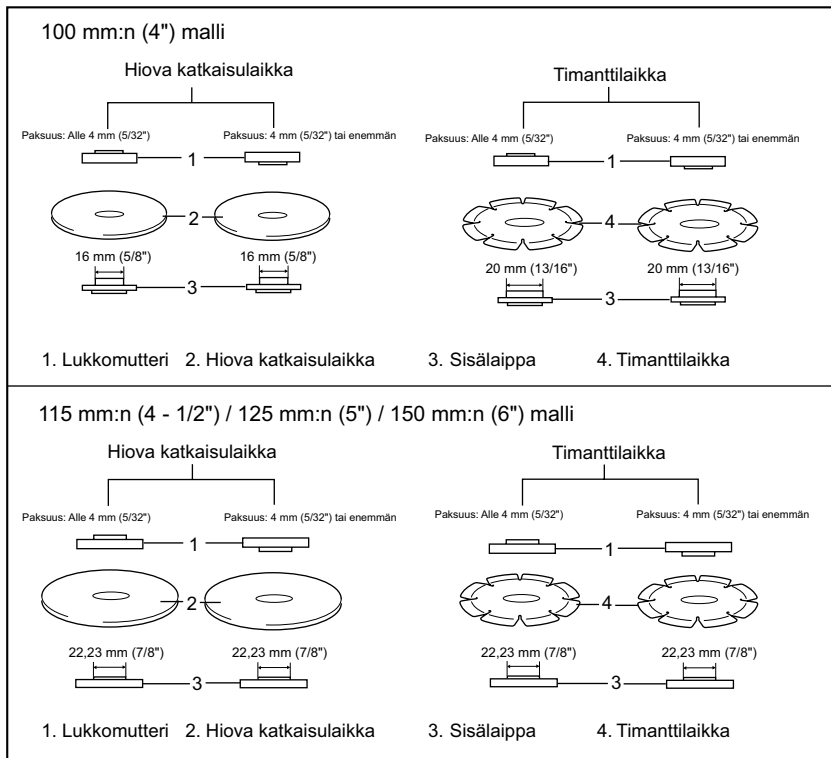


## Hiovan katkaisulaikan/timanttilaikan käyttäminen (lisävaruste)

### Kuva17

Sisälaipan ja lukkomutterin kiinnityssuunta vaihtelee laikan paksuuden mukaan.

Katso lisätietoja oheisesta taulukosta.



012746

### VAROITUS:

- Varmista hiova katkaisulaikkaa / timanttilaikkaa käyttäessäsi, että käytät ainoastaan katkaisulaikkojen kanssa käytettäväksi tarkoitettua erikoislaikansuojusta. (Joissakin Euroopan maissa voidaan käyttää timanttilaikan kanssa tavallista suojusta. Noudata omassa maassasi voimassa olevia määräyksiä.)
- ÄLÄ KOSKAAN käytä katkolaikkaa sivun hiontaan.
- Älä "sullo" laikkaa tai sovelle liiallista painetta. Älä yritä tehdä liian syvää leikkausta. Laikan liiallinen painaminen lisää laikan leikkauksen kiinnittymisen ja kierteen lastauksen ja alltiuden, sekä takapotkun, laikan rikkoutumisen ja moottorin ylikuumentumisen mahdollisuutta.

- Älä käynnistä leikkaustoimintaa työkalupaleessa. Anna laikan saavuttaa täysi nopeus ja astu varovasti leikkaukseen, siirtäen työkalua eteenpäin työkalupaleen pinnan yli. Laikka saattaa kiinnittyä, jättää tai takapotkaista, jos työkalu käynnistetään työkalupaleessa.
- Leikkaustoiminnan aikana, älä koskaan vaihda laikan kulmaa. Jos sijoitat katkolaikkaan sivupainetta (kuten hiomisen aikana), se voi aiheuttaa laikan lastuamisen ja katkeamisen, joka voi aiheuttaa henkilöövaman.
- Timanttilaikkaa on pidettävä kohtisuorassa leikattavaan materiaaliin nähden.

## Teräskuppiharjan käyttäminen (lisävaruste)

### ⚠HUOMIO:

- Tarkista harjan toiminta käyttämällä työkalua ilman kuormitusta. Varmista, ettei kukaan ole harjan tiellä.
- Älä käytä harjaa, jos se on vaurioitunut tai epätasapainossa. Vaurioituneen harjan käyttäminen voi aiheuttaa loukkaantumisvaaran katkenneiden harjasten takia.

### Kuva18

Irrota työkalun virtajohto ja aseta työkalu ylösalaisin siten, että kara on esillä. Poista karassa mahdollisesti olevat lisävarusteet. Työnnä teräskuppiharja karaan ja kiristä se työkalun mukana toimitettavalla avaimella. Kun käytät harjaa, älä paina sitä liiallisella voimalla. Liiallinen voimankäyttö saattaa taivuttaa harjaksia ja vaurioittaa harjaa.

## Teräsharjalaikan käyttäminen (lisävaruste)

### ⚠HUOMIO:

- Tarkista teräsharjalaikan toiminta käyttämällä työkalua ilman kuormitusta. Varmista, ettei kukaan ole teräsharjalaikan tiellä.
- Älä käytä teräsharjalaikkaa, jos se on vaurioitunut tai epätasapainossa. Vaurioituneen teräsharjalaikan käyttäminen voi aiheuttaa loukkaantumisvaaran katkenneiden harjasten takia.
- Käytä teräsharjalaikan kanssa AINA suojusta. Varmista, että laikka mahtuu suojuksen sisäpuolelle. Laikka voi hajota käytössä, joten suojusta vähentää vammautumiseriskä.

### Kuva19

Irrota työkalun virtajohto ja aseta se ylösalaisin siten, että kara on esillä. Poista karassa mahdollisesti olevat lisävarusteet. Kiinnitä teräsharjalaikka karaan ja kiristä se avaimilla. Kun käytät teräsharjalaikkaa, älä paina sitä liiallisella voimalla, sillä liiallinen voimankäyttö saattaa taivuttaa harjaksia ja vaurioittaa laikkaa.

## KUNNOSSAPITO

### ⚠HUOMIO:

- Varmista aina ennen tarkastuksia ja huoltotöitä, että laite on kone on sammutettu ja irrotettu virtalähteestä.
- Älä koskaan käytä bensiiniä, ojentimia, alkoholia tai tms. aineita. Muutoin pinta voi halkeilla tai sen värit ja muoto voivat muuttua.

### Kuva20

Kone ja sen ilma-aukot on pidettävä puhtaina. Puhdista koneen ilma-aukot säännöllisesti tai aina kun ne alkavat tukkeutua. Tuotteen TURVALLISUUDEN ja LUOTETTAVUUDEN säilyttämiseksi Makitan valtuutetun huoltokeskuksen

tulee suorittaa korjaukset, hiiliharjojen tarkastus ja vaihto, sekä muut huolto- tai säätötyöt Makitan varaosia käyttäen.

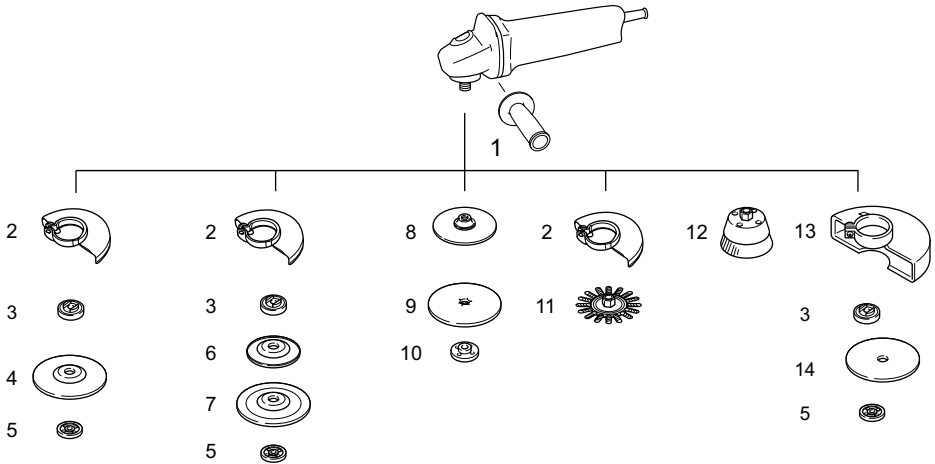
## LISÄVARUSTEET

### ⚠HUOMIO:

- Näitä lisävarusteita ja -laitteita suositellaan käytettäväksi tässä ohjekirjassa mainittu Makitan koneen kanssa. Minkä tahansa muun lisävarusteen tai -laitteen käyttäminen voi aiheuttaa loukkaantumisvaaran. Käytä lisävarusteita ja -laitteita vain niiden käyttötarkoituksen mukaisesti.

Jos tarvitset apua tai yksityiskohtaisempia tietoja seuraavista lisävarusteista, ota yhteys paikalliseen Makitan huoltoon.

- Pölysuojusvaruste



	100 mm:n (4") malli	115 mm:n (4-1/2") malli	125 mm:n (5") malli	150 mm:n (6") malli
1	Kahva 36			
2	Laikan suojus (hiomalaikka)			
3	Sisälaippa	Sisälaippa Superlaippa	Sisälaippa Superlaippa	Sisälaippa Superlaippa
4	Upotetulla navalla varustettu laikka/lamellilaikka			
5	Lukkomutteri	Lukkomutteri Ezynut *1	Lukkomutteri Ezynut *1	Lukkomutteri Ezynut *1
6	Muovityyny	Muovityyny	Muovityyny	-
7	Joustava laikka	Joustava laikka	Joustava laikka	-
8	Kumityyny 76	Kumityyny 100	Kumityyny 115	Kumityyny 125
9	Hiomalaikka			
10	Lukkomutteri hiontaan			
11	Teräsharjalaikka			
12	Teräskuppiharja			
13	Laikan suojus (katkaisulaikka) *2			
14	Hiova katkaisulaikka/timanttilaikka			
-	Lukkomutteriavain			

Huomautus:

\*1 Älä käytä superlaippa ja Ezynutia yhdessä.

\*2 Joissakin Euroopan maissa voidaan käyttää timanttilaikan kanssa tavallista suojusta laikan molemmat puolet peittävän erikoissuojuksen sijasta. Noudata omassa maassasi voimassa olevia määräyksiä.

013732

#### HUOMAUTUS:

- Jotkin luettelossa mainitut varusteet voivat sisältyä työkalun toimitukseen vakiovarusteina. Ne voivat vaihdella maittain.

## LATVIEŠU (oriģinālās instrukcijas)

### Kopskata skaidrojums

1-1. Vārpstas bloķētājs	8-2. Vārpstas bloķētājs	15-1. A zīme
2-1. Slīdslēdzis	9-1. Ezynut	15-2. B zīme
4-1. Slīpripas aizsargs	9-2. Abrazīva ripa	15-3. C zīme
4-2. Gultņa ieliktnis	9-3. Iekšējais atloks	15-4. D zīme
4-3. Skrūve	9-4. Vārpsta	17-1. Kontruzgrieznis
5-1. Slīpripas aizsargs	10-1. Vārpstas bloķētājs	17-2. Abrazīva atgriešanas ripa/dimanta ripa
5-2. Gultņa ieliktnis	11-1. Bultiņa	17-3. Iekšējais atloks
5-3. Skrūve	11-2. Ierobs	17-4. Ripas aizsargierīce abrazīvai atgriešanas ripai/dimanta ripai
5-4. Svira	13-1. Kontruzgrieznis	18-1. Bļodveida stieplu suka
6-1. Skrūve	13-2. Lokanā ripa	19-1. Stieplu sukas ripa
6-2. Svira	13-3. Plastmasas paliktnis	20-1. Izplūdes atvere
7-1. Kontruzgrieznis	13-4. Iekšējais atloks	20-2. Ieplūdes atvere
7-2. Slīpripa ar ieliektu centru	14-1. Slīpēšanas kontruzgrieznis	
7-3. Iekšējais atloks	14-2. Abrazīva ripa	
8-1. Kontruzgriežņa atslēga	14-3. Gumijas starpliika	

## SPECIFIKĀCIJAS

Modelis	GA4040	GA4540	GA5040	GA6040
Ripas diametrs	100 mm (4")	115 mm (4-1/2")	125 mm (5")	150 mm (6")
Maks. ripas biezums	6,4 mm			
Vārpstas vītne	M10	M14 vai 5/8" (atkarībā no valsts)		
Nominālais ātrums (n)/tukšgaitas ātrums (n <sub>0</sub> )	11 000 min <sup>-1</sup>	11 000 min <sup>-1</sup>	11 000 min <sup>-1</sup>	9 000 min <sup>-1</sup>
Kopējais garums	303 mm	303 mm	303 mm	303 mm
Neto svars	2,3 kg	2,4 kg	2,4 kg	2,5 kg
Drošības klase	II/II			

- Dēļ mūsu nepārtrauktās pētniecības un izstrādes programmas, šeit dotās specifikācijas var mainīties bez brīdinājuma.
- Atkarība no valsts specifikācijas var atšķirties.
- Svars atbilstoši EPTA-Procedure 01/2003

ENE048-1

### Paredzētā lietošana

Šis darbarīks ir paredzēts metāla un akmeņu slīpēšanai, nolīdzināšanai un griešanai bez ūdens izmantošanas.

ENF002-2

### Strāvas padeve

Darbarīks jāpievieno tikai tādai strāvas padevei, kuras spriegums ir tāds pats, kā norādīts uz plāksnītes ar nosaukumu, un to var ekspluatēt tikai ar vienfāzes maiņstrāvas padevi. Darbarīks aprīkots ar divkāršo izolāciju, tādēļ to var izmantot arī, pievienojot kontaktlīdzdai bez iezemējuma vada.

ENG905-1

### Troksnis

Tipiskais A-svērtais trokšņa līmenis ir noteikts saskaņā ar EN60745:

#### Modelis GA4040, GA4540, GA5040

Skaņas spiediena līmenis (L<sub>PA</sub>): 86 dB(A)  
Skaņas jaudas līmenis (L<sub>WA</sub>): 97 dB(A)  
Mainīgums (K) : 3 dB(A)

### Modelis GA6040

Skaņas spiediena līmenis (L<sub>PA</sub>): 87 dB(A)  
Skaņas jaudas līmenis (L<sub>WA</sub>): 98 dB(A)  
Mainīgums (K) : 3 dB(A)

### Lietojiet ausu aizsargus

ENG900-1

### Vibrācija

Vibrācijas kopējā vērtība (trīs asu vektora summa) noteikta saskaņā ar EN60745:

#### Modelis GA4040

Darba režīms: virsmas slīpēšana ar parastu sānu rokturi  
Vibrācijas emisija (a<sub>h,AG</sub>): 6,0 m/s<sup>2</sup>  
Nenoteiktību (K) : 1,5 m/s<sup>2</sup>

Darba režīms: virsmas slīpēšana ar antivibrācijas sānu rokturi  
Vibrācijas emisija (a<sub>h,AG</sub>): 5,5 m/s<sup>2</sup>  
Nenoteiktību (K) : 1,5 m/s<sup>2</sup>

Darba režīms: slīpēšana ar disku ar parastu sānu rokturi

Vibrācijas emisija ( $a_{h,DS}$ ): 2,5 m/s<sup>2</sup> vai mazāk  
Neskaidrība (K): 1,5 m/s<sup>2</sup>

Darba režīms: slīpēšana ar disku ar antivibrācijas sānu rokturi

Vibrācijas emisija ( $a_{h,DS}$ ): 2,5 m/s<sup>2</sup> vai mazāk  
Neskaidrība (K): 1,5 m/s<sup>2</sup>

#### Modelis GA4540

Darba režīms: virsmas slīpēšana ar parastu sānu rokturi

Vibrācijas emisija ( $a_{h,AG}$ ): 6,5 m/s<sup>2</sup>  
Nenoteiktību (K) : 1,5 m/s<sup>2</sup>

Darba režīms: virsmas slīpēšana ar antivibrācijas sānu rokturi

Vibrācijas emisija ( $a_{h,AG}$ ): 6,0 m/s<sup>2</sup>  
Nenoteiktību (K) : 1,5 m/s<sup>2</sup>

Darba režīms: slīpēšana ar disku ar parastu sānu rokturi

Vibrācijas emisija ( $a_{h,DS}$ ): 2,5 m/s<sup>2</sup> vai mazāk  
Neskaidrība (K): 1,5 m/s<sup>2</sup>

Darba režīms: slīpēšana ar disku ar antivibrācijas sānu rokturi

Vibrācijas emisija ( $a_{h,DS}$ ): 2,5 m/s<sup>2</sup> vai mazāk  
Neskaidrība (K): 1,5 m/s<sup>2</sup>

#### Modelis GA5040, GA6040

Darba režīms: virsmas slīpēšana ar parastu sānu rokturi

Vibrācijas emisija ( $a_{h,AG}$ ): 7,0 m/s<sup>2</sup>  
Nenoteiktību (K) : 1,5 m/s<sup>2</sup>

Darba režīms: virsmas slīpēšana ar antivibrācijas sānu rokturi

Vibrācijas emisija ( $a_{h,AG}$ ): 6,0 m/s<sup>2</sup>  
Nenoteiktību (K) : 1,5 m/s<sup>2</sup>

Darba režīms: slīpēšana ar disku ar parastu sānu rokturi

Vibrācijas emisija ( $a_{h,DS}$ ): 2,5 m/s<sup>2</sup> vai mazāk  
Neskaidrība (K): 1,5 m/s<sup>2</sup>

Darba režīms: slīpēšana ar disku ar antivibrācijas sānu rokturi

Vibrācijas emisija ( $a_{h,DS}$ ): 2,5 m/s<sup>2</sup> vai mazāk  
Neskaidrība (K): 1,5 m/s<sup>2</sup>

ENG902-1

- Paziņotā vibrācijas emisijas vērtība noteikta atbilstoši standarta pārbaudes metodei un to var izmantot, lai salīdzinātu vienu darbarīku ar citu.
- Paziņoto vibrācijas emisijas vērtību arī var izmantot iedarbības sākotnējā novērtējumā.
- Paziņoto vibrācijas emisijas vērtību izmanto galvenajām mehanizētā darbarīka darbībām. Taču,

ja darbarīku izmanto citām darbībām, vibrācijas emisijas vērtība var būt atšķirīga.

#### ⚠ BRĪDINĀJUMS:

- Reāli lietojot mehanizēto darbarīku, vibrācijas emisija var atšķirties no paziņotās emisijas vērtības atkarībā no darbarīka izmantošanas veida.
- Lai aizsargātu lietotāju, nosakiet drošības pasākumus, kas pamatoti ar iedarbību reālos darba apstākļos (ņemot vērā visus ekspluatācijas cikla posmus, piemēram, laiku, kamēr darbarīks ir izslēgts un kad darbojas tukšgaitā, kā arī palaides laiku).

ENH101-16

#### Tikai Eiropas valstīm

#### EK Atbilstības deklarācija

**Mēs, uzņēmums „Makita Corporation”, kā atbildīgs ražotājs paziņojam, ka sekojošais/-ie „Makita” darbarīks/-i:**

Darbarīka nosaukums:

Leņķa slīpmašīna

Modeļa nr./ Veids: GA4040, GA4540, GA5040, GA6040  
ir sērijas ražojums un

**Atbilst sekojošām Eiropas Direktīvām:**

2006/42/EC

Un tas ražots saskaņā ar sekojošiem standartiem un standartdokumentiem:

EN60745

Tehnisko dokumentāciju uztur:

Makita International Europe Ltd.

Technical Department,

Michigan Drive, Tongwell,

Milton Keynes, Bucks MK15 8JD, Anglija

17.8.2011



000230

Tomoyasu Kato

Direktors

Makita Corporation

3-11-8, Sumiyoshi-cho,

Anjo, Aichi, 446-8502, JAPAN

GEA010-1

## Vispārējie mehanizēto darbarīku drošības brīdinājumi

⚠ **BRĪDINĀJUMS** Izlasiet visus drošības brīdinājumus un visus norādījumus. Brīdinājumu un norādījumu neievērošanas gadījumā var rasties elektriskās strāvas trieciens, ugunsgrēks un/vai nopietnas traumas.

**Glabājiet visus brīdinājumus un norādījumus, lai varētu tajos ieskatīties turpmāk.**

## DROŠĪBAS BRĪDINĀJUMI SLĪPĒTĀJA LIETOŠANAI

Drošības brīdinājumi, kopīgi slīpēšanas, slīpēšanas ar smilšpapīru, apstrādes ar stieplu suku vai abrazīvas atgrīšanas darbībām:

1. Šis mehanizētais darbarīks ir paredzēts slīpētāja, darbarīka slīpēšanai ar smilšpapīru, stieplu suku vai atgrīšanas darbarīka funkciju pildīšanai. Izlasiet visus drošības brīdinājumus, instrukcijas un specifikācijas, kas iekļautas mehanizētā darbarīka komplektācijā. Ja netiek ievēroti visi zemāk izklāstītie norādījumi, var tikt izraisīts elektriskās strāvas trieciens, ugunsgrēks un/vai smagas traumas.
2. Ar šo mehanizēto darbarīku nav ieteicams veikt tādas darbības kā pulēšana. Veikt darbības, kam šis mehanizētais darbarīks nav paredzēts, var būt bīstami un var radīt miesas bojājumus.
3. Lietojiet tikai darbarīka ražotāja īpaši izgatavotos un ieteiktus piederumus. Kaut arī piederumu ir iespējams piestiprināt pie darbarīka, tā lietošana nav droša.
4. Piederuma nominālajam ātrumam jābūt vismaz vienādam ar maksimālo ātrumu, kas atzīmēts uz mehanizētā darbarīka. Piederumi, kas kustas ātrāk par nominālo ātrumu, var salūzt un nolidot nost.
5. Piederuma ārējam diametram un biežumam jābūt mehanizētā darbarīka jaudas koeficienta robežās. Nepareiza izmēra piederums nav iespējams pietiekami uzmanīt vai kontrolēt.
6. Piederumu stiprinājuma vītnei ir jāatbilst slīpmašīnas darbvārpstas vītnei. Piederumiem, kurus piestiprina aiz atlokiem, piederuma ass caurumam jāatbilst atloka uzstādīšanas diametram. Piederumi, kas neatbilst mehanizētā darbarīka montāžas furnitūrai, ir nestabili, pārmērīgi vibrē un var izraisīt kontroles zaudēšanu.
7. Neizmantojiet bojātu aprīkojumu. Pirms katras lietošanas pārbaudiet tādu aprīkojumu kā abrazīvās ripas, vai nav skaidu un plaisu, pīsumu vai nolietojuma, un stieplu suku - vai nav vaļīgu vai lūzušu stieplu. Ja mehanizētais darbarīks vai piederums nokrīt, pārbaudiet, vai nav radušies bojājumi vai ierīkojiet nebojātu piederumu. Pēc piederuma pārbaudes un ierīkošanas atkāpieties un lieciet visiem klātesošajiem atkāpties no rotējošā piederuma, un darbiniet mehanizēto darbarīku bez noslodzes ar maksimālo ātrumu vienā minūtē. Bojāti piederumi šādas pārbaudes laikā parasti izjūk.

8. Izmantojiet personīgo aizsargaprīkojumu. Atkarībā no veicamā darba valkājiet sejas aizsargu, aizsargbrilles vai brilles. Ja vajadzīgs, valkājiet putekļu masku, ausu aizsargus, cimdus un darba priekšautu, kas aiztur mazas abrazīvas vai apstrādājamā materiāla daļas. Acu aizsardzības aprīkojumam jāaiztur lidojoši netīrumi, kas rodas dažādu darbu veikšanas laikā. Putekļu maskai vai respiratoram jāaiztur darba laikā radušās daļiņas. Ilgstoša, ļoti intensīva trokšņa iedarbībā varat zaudēt dzirdi.
9. Uzmaniet, lai apkārtējās personas atrastos drošā attālumā no darba vietas. Ikvienam, kas atrodas darba vietā, jāvalkā personīgais aizsargaprīkojums. Apstrādājamā materiāla vai bojāta piederuma daļiņas var aizlidot un izraisīt ievainojumus tiem, kas atrodas darba vietas tuvumā.
10. Veicot darbu, turiet mehanizēto darbarīku tikai aiz izolētajām satveršanas virsmām, ja griešanas instruments vēršas saskarties ar apslēptu elektroinstalāciju vai ar savu vadu. Ja griešanas instruments saskarsies ar vadu, kurā ir strāva, visas mehanizētā darbarīka ārējās metāla virsmas vadīs strāvu un radīs elektriskās strāvas triecienu risku.
11. Novietojiet vadu tā, lai tas nepieskartos rotējošam piederumam. Ja zaudēsiet vadību, vadu var pārgriezt vai aizķert, bet jūsu roku var ieraut rotējošajā piederumā.
12. Mehanizēto darbarīku nedrīkst nolikt malā, līdz piederums nav pilnībā pārstājis darboties. Rotējošais piederums var satvert virsmu un izraut mehanizēto darbarīku jums no rokām.
13. Mehanizēto darbarīku nedrīkst darbināt, kad pārnēsājat no virzienā pret sevi. Ja apgērbs nejausi pieskaras rotējošajam piederumam, tas var tikt satverts, piederumu ievēlot jūsu ķermenī.
14. Regulāri tīriet mehanizētā darbarīka gaisa ventīļus. Motora ventilators ievēl putekļus korpusā un pārmērīga pulverveida metāla uzkrāšanās var izraisīt elektrības sistēmas bojājumus.
15. Mehanizēto darbarīku nedrīkst darbināt viegļi uzliesmojošu materiālu tuvumā. Dzirksteles var aizdedzināt šos materiālus.
16. Nelietojiet tādus piederumus, kam vajadzīgi dzesēšanas šķidrums. Lietojot ūdeni vai citus dzesēšanas šķidrums, var būt nāvējošu triecienu vai elektriskās strāvas triecienu.

### Atsitienu un ar to saistīti brīdinājumi

Atsitiens ir pēkšņa reakcija uz iespiestu vai aizķērušos rotējošo ripu, atbalsta ieliktni, suku vai kādu citu piederumu. Iesprūšana vai aizķeršanās izraisa pēkšņu rotējošā piederuma apstāšanos, kas, savukārt, kontakta brīdī izraisa nekontrolētu mehanizētā darbarīka grūdienu pretēji tā rotācijas virzienam.

Piemēram, ja abrazīvā ripa tiek iespiesta vai aizķeras aiz apstrādājamās virsmas, ripas asmens, kas tiek ievadīts saskares punktā, var ieurbties materiāla virsmā, liekot ripai izkļūt no tā vai izraisot atsitienu. Ripa saskares brīdī var izlekt vai nu operatora virzienā, vai prom no viņa, atkarībā no ripas kustības virziena. Abrazīvās ripas šādos apstākļos var arī salūzt.

Atsitiens rodas darbarīka nepareizas lietošanas un/vai nepareizas darbības vai apstākļu rezultātā, un no tā var izvairīties, veicot piemērotus drošības pasākumus, kā norādīts zemāk.

- a) **Nepārtraukti cieši turiet mehanizēto darbarīku un novietojiet savu ķermeni un rokas tā, lai varētu pretoties atsitienu spēkiem. Lai maksimāli kontrolētu atsitienu vai - iedarbināšanas laikā - griezes momentu, vienmēr lietojiet palīgrokturi, ja tāds ir.** Operators var kontrolēt griezes momenta reakciju vai atsitienu spēku, ja veic atbilstošus piesardzības pasākumus.
- b) **Rokas nedrīkst turēt rotējošā piederuma tuvumā.** Piederums var radīt atsitienu rokai.
- c) **Neviena jūsu ķermeņa daļa nedrīkst atrasties teritorijā, kur atsitienu gadījumā pārvietosies mehanizētais darbarīks.** Atsitiens saskares brīdī pārvieto darbarīku virzienā pretēji ripas kustībai.
- d) **Ievērojiet īpašu piesardzību, apstrādājot stūrus, asas malas, u.c. Novērsiet piederuma atlēcienus un sadursmes ar šķēršļiem.** Stūri, asas malas vai atlēcieni mēdz saķert rotējošo piederumu un izraisīt kontroli zaudēšanu pār darbarīku vai atsitienu.
- e) **Nepievienojiet zāga ķēdes kokgriezumu asmeni vai zobaino zāga asmeni.** Šādi asmeņi izraisa biežus atsitienu un kontroles zaudēšanu.

**Drošības brīdinājumi, specifiski slīpēšanas un abrazīvas atgriešanas darbībām:**

- a) **Izmantojiet tikai savam mehanizētajam darbarīkam ieteiktos ripu veidus un specifiskos aizsargus, kas izstrādāti izvēlētajam ripām.** Ripas, kam mehanizētais darbarīks nav paredzēts, nevar pienācīgi aizsargāt, tāpēc tās nav drošas.
- b) **Ripas ar ieliektu centru slīpēšanas virsmai jāatrodas zemāk par aizsargatloka plāksni.** Nepareizi piestiprināta ripa, kas izvirzīta cauri aizsargatloka plāksnei, nav pietiekami aizsargāta.
- c) **Aizsargam jābūt cieši piestiprinātam pie mehanizētā darbarīka un novietotam maksimāli drošībai, tādējādi operatora virzienā ir atsegtā vismazākā ripas daļa.** Aizsargs palīdz aizsargāt operatoru no salūzušas ripas daļām un nejaušas saskares ar slīpriņu un dzirkstelēm, kas varētu aizdedzināt apģērbu.
- d) **Ripas jāizmanto tikai ieteiktajam pielietojumam.** Piemēram, neslīpējiet ar atgriešanas ripas malu. Abrazīvās atgriešanas ripas ir paredzētas perifērai slīpēšanai, pret šīm slīpripām pielietots spēks no sāniem var likt tām saplaisāt.

e) **Vienmēr izmantojiet nebojātus, izvēlētajai ripai atbilstoša izmēra un formas ripas atlokus.** Atbilstoši ripas atloki atbalsta ripu, tādējādi samazinot tās salūšanas iespēju. Atgriešanas ripu atloki var atšķirties no slīpriņu atlokiem.

f) **Neizmantojiet nolietotas ripas no lielākiem mehanizētajiem darbarīkiem.** Lielākiem mehanizētajiem darbarīkiem paredzētās ripas nav piemērotas mazāka darbarīka lielajam ātrumam un tās var saplīst.

**Papildu drošības brīdinājumi, specifiski abrazīvas atgriešanas darbībām:**

- a) **"Neiespiediet" atgriešanas ripu un nepielietojiet pārmērīgu spiedienu. Nemēģiniet veikt pārmērīga dziļuma griezumus.** Ripas pārspriegošana palielina slodzi un uzņēmību pret ripas savēršanos vai aizķeršanos griezumā, un atsitienu, un ripas salūšanas iespējamību.
  - b) **Neviena jūsu ķermeņa daļa nedrīkst atrasties vienā līnijā ar rotējošo ripu un aiz tās.** Kad darba laikā ripas pārvietojas virzienā prom no jūsu ķermeņa, iespējama atsitiens var būt rotējošo ripu un mehanizēto darbarīku tieši jūsu virzienā.
  - c) **Ja ripa aizķeras vai kad kāda iemesla dēļ tiek pārtraukts griezumus, izslēdziet mehanizēto darbarīku un turiet to nekustīgi, līdz ripa apstājas pilnībā.** Nekad nemēģiniet izņemt atgriešanas ripu no griezuma, kamēr ripa vēl rotē, pretējā gadījumā var rasties atsitiens. Pārbaudiet un veiciet attiecīgus pasākumus, lai likvidētu ripas aizķeršanās cēloņus
  - d) **Neatsāciet griešanas darbību, darbarīkam atrodoties apstrādājamajā virsmā.** Ļaujiet ripai sasniegt pilnu ātrumu un tad uzmanīgi ievietojiet to griezumā no jauna. Ripa var aizķerties, izvirzīties augšup vai veikt atsitienu, ja mehanizētais darbarīks tiek iedarbināts no jauna, kamēr tā atrodas apstrādājamajā materiālā.
  - e) **Atbalstiet paneļus un visas pārmērīga lieluma apstrādājamās virsmas, lai samazinātu ripas iesprūšanas un atsitienu risku.** Lielu apstrādājamās virsmas laukumi bieži vien ieliecās paši zem sava svara. Atbalsti jānovieto abās ripas pusēs zem apstrādājamās virsmas, griezuma līnijas tuvumā un tuvu apstrādājamās virsmas malai.
- Esiet īpaši uzmanīgi, veicot "nišas griezumus" jau esošās sienās vai citās aizsegtās vietās.** Caururbūtais asmens var pārgriezt gāzes vai ūdens caurules, elektrības vadus vai priekšmetos, kas var izraisīt atsitienu.

**Drošības brīdinājumi, specifiski slīpēšanai ar smilšpapīru:**

- a) **Neizmantojiet pārāk lielu smilšpapīra diska papīru.** Ievērojiet ražotāja rekomendācijas, kad izvēlaties smilšpapīru. Lielāks smilšpapīrs, kas sniedzas aiz smilšpapīra ieliktna, rada plīsuma briesmas un var izraisīt diska aizķeršanos, plīsumu vai atsitienu.

Drošības brīdinājumi, specifiski apstrādei ar stieplu suku:

- a) Ņemiet vērā, ka stieplu sari veic gājienu pat parastas darbības laikā. Nepielietojiet pārspiedienu pret stieplēm, pielietojot pārmērīgu slodzi pret suku. Stieplu sari var viegli pārplēst vieglus audumus un/vai ādu.
- b) Ja apstrādei ar stieplu suku ieteikts izmantot aizsargu, nepieļaujiet stieplu ripas vai sukas saskari ar aizsargu. Stieplu ripai vai sukai var palielināties diametrs darba slodzes un centrālās spēku iedarbībā.

Papildu drošības brīdinājumi:

17. Ja izmantojat slīpriņas ar ieliektu centru, noteikti izmantojiet tikai stikla šķiedras slīpriņas.
18. Kopā ar šo slīpmašīnu NEKAD NEIZMANTOJIET bļodveida akmens ripu. Šī slīpmašīna nav paredzēta šāda veida ripām, un to izmantošana var izraisīt nopietnus ievainojumus.
19. Uzmanieties, lai nesabojātu vārpstu, atloku (it īpaši uzstādīšanas virsmu) un pretuzgriezni. Šo daļu bojājums var izraisīt slīpriņas salūšanu.
20. Pārliecinieties, ka slīpriņa nepiess apstrādājama virsmai pirms slēdža ieslēgšanas.
21. Pirms īsta materiāla apstrādāšanas darbiniet darbarīku kādu brīdi tukšgaitā. Pievērsiet uzmanību tam, vai nav novērojama vibrācija vai svārstīšanās, kas varētu norādīt uz nekvalitatīvu uzstādīšanu vai nepareizi līdzsvarotu ripu.
22. Lai veiktu slīpēšanu, izmantojiet tam paredzēto slīpriņas virsmu.
23. Neatstājiet ieslēgtu darbarīku. Darbiniet darbarīku vienīgi tad, ja turat to rokās.
24. Neskarieties pie apstrādājamas detaļas tūlīt pēc darba izpildes; tā var būt ārkārtīgi karsta un var apdedzināt ādu.
25. Ievērojiet ražotāja norādījumus slīpriņu pareizai montāžai un lietošanai. Apejieties ar slīpriņām uzmanīgi un uzglabājiet tās saudzīgi.
26. Neizmantojiet atsevišķus pārejas ieliktnus vai adapterus, lai pielāgotu abrazīvās slīpriņas ar liela diametra atveri.
27. Izmantojiet tikai šim darbarīkam paredzētus atlokus.
28. Darbarīkiem, kuri paredzēti lietošanai ar vītņotu slīpriņu, pārliecinieties, ka slīpriņas vītnes garums atbilst vārpstas garumam.
29. Pārbaudiet, vai apstrādājamā detaļa ir pienācīgi atbalsīta.
30. Ņemiet vērā to, ka slīpriņa turpina griezties arī pēc darbarīka izslēgšanas.
31. Ja darba vietā ir augsta temperatūra un liels mitrums, vai tā ir stipri piesārņota ar

vadītspējīgiem putekļiem, izmantojiet īssavienojuma pārtraucēju (30 mA), lai garantētu operatora drošību.

32. Neizmantojiet instrumentu darbam ar jebkādiem materiāliem, kuri satur azbestu.
33. Griezējripas lietošanas gadījumā vienmēr izmantojiet ripas aizsargu ar putekļu savācēju, jo to prasa vietēja likumdošana.
34. Griezējripas nedrīkst pakļaut jebkura veida sānu spiedienam.

## SAGLABĀJIET ŠOS NORĀDĪJUMUS.

### ▲BRĪDINĀJUMS:

**NEZAUDĒJIET** modrību darbarīka lietošanas laikā (tas var gadīties pēc darbarīka daudzkārtējas izmantošanas), rūpīgi ievērojiet urbšanas drošības noteikumus šim izstrādājumam. **NEPAREIZAS LIETOŠANAS** vai šīs rokasgrāmatas drošības noteikumu neievērošanas gadījumā var gūt smagas traumas.



# FUNKCIJU APRAKSTS

## **▲UZMANĪBU:**

- Pirms regulējat vai pārbaudāt instrumenta darbību, vienmēr pārliecinieties, vai instruments ir izslēgts un atvienots no barošanas.

## **Vārpstas bloķētājs**

### **Att.1**

## **▲UZMANĪBU:**

- Nekad neieslēdziet vārpstas bloķētāju kamēr vārpsta griežas. Tas var sabojāt darbarīku.

Nospiediet vārpstas bloķētāju, lai novērstu vārpstas rotāciju piederumu uzstādīšanas vai noņemšanas laikā.

## **Slēdža darbība**

### **Att.2**

## **▲UZMANĪBU:**

- Pirms darbarīka pievienošanas barošanas avotam, vienmēr pārbaudiet, vai slēdžslēdzis darbojas pareizi un atgriežas "OFF" (izslēgts) stāvoklī pēc slēdžslēdža aizmugurējās daļas atlaišanas.
- Slēdži var ieslēgt "ON" (ieslēgts) stāvoklī, lai atvieglotu operatora darbu ilgstoša darba laikā. Esiet uzmanīgi, ieslēdzot darbarīku "ON" (ieslēgts) stāvoklī, un turpiniet cieši turēt darbarīku.

Lai iedarbinātu darbarīku, pārvietojiet slēdžslēdzi stāvoklī „I (ON)” (ieslēgts), nospiežot slēdžslēdža aizmugurējo daļu. Lai darbarīks darbotos nepārtraukti, nospiediet slēdžslēdža priekšējo daļu, lai to nobloķētu.

Lai apturētu darbarīku, nospiediet slēdžslēdža aizmugurējo daļu un pārvietojiet to stāvoklī „O (OFF)” (izslēgts).

# MONTĀŽA

## **▲UZMANĪBU:**

- Vienmēr pārliecinieties, vai instruments ir izslēgts un atvienots no barošanas, pirms veicat jebkādas darbības ar instrumentu.

## **Sānu roktura uzstādīšana (rokturis)**

### **Att.3**

## **▲UZMANĪBU:**

- Vienmēr pirms darbarīka izmantošanas pārliecinieties, ka sānu rokturis ir droši uzstādīts.

Stingri pieskrūvējiet sānu rokturi pie darbarīka, kā parādīts zīmējumā.

## **Slīpripas aizsarga uzstādīšana vai noņemšana (slīpripa ar ieliektu centru, plāksņu disks, lokanā ripa, stiepļu sukas ripa/ abrazīva atgriešanas ripa, dimanta ripa)**

## **▲BRĪDINĀJUMS:**

- Slīpripas ar ieliektu centru, plāksņu diska, lokanās ripas vai stiepļu sukas ripas izmantošanas

gadījumā slīpripas aizsargs ir jāuzstāda uz darbarīka tā, lai aizsarga slēgtā daļa vienmēr būtu vērsta operatora virzienā.

- Izmantojot abrazīvu atgriešanas/ dimanta ripu, lietojiet tikai īpašu ripas aizsargierīci, kas paredzēta atgriešanas ripām. (Dažās Eiropas valstīs, izmantojot dimanta ripu, var lietot parasto aizsargu. Ievērojiet savas valsts noteikumus.)

## **Darbarīkam ar atdures skrūves tipa slīpripas aizsargu**

### **Att.4**

Uzstādiet slīpripas aizsargu tā, lai uz tā malas esošie izcilņi sakristu ar gultņa ieliktna ierobiem. Tad pagrieziet slīpripas aizsargu par 180 ° pretēji pulksteņrādītāja virzienam. Pārliecinieties, vai skrūve ir cieši pieskrūvēta. Lai noņemtu slīpripas aizsargu, izpildiet augstāk aprakstīto uzstādīšanas procedūru apgrieztā secībā.

## **Darbarīkam ar spīlējuma sviras tipa slīpripas aizsargu**

### **Att.5**

Kad skrūve ir atskrūvēta, pavelciet sviru bultiņas virzienā. Uzstādiet slīpripas aizsargu tā, lai uz tā malas esošie izcilņi sakristu ar gultņa ieliktna ierobiem. Tad pagrieziet slīpripas aizsargu par 180 °.

### **Att.6**

Piestipriniet slīpripas aizsargu, pieskrūvējot skrūvi pēc sviras pavilkšanas bultiņas virzienā. Slīpripas aizsarga uzstādīto leņķi var regulēt ar sviru.

Lai noņemtu slīpripas aizsargu, izpildiet augstāk aprakstīto uzstādīšanas procedūru apgrieztā secībā.

## **Slīpripas ar ieliektu centru vai plāksņu diska (papildpiederums) uzstādīšana un noņemšana**

## **▲BRĪDINĀJUMS:**

- Slīpripas ar ieliektu centru vai plāksņu diska izmantošanas gadījumā slīpripas aizsargs ir jāuzstāda uz darbarīka tā, lai aizsarga slēgtā daļa vienmēr būtu vērsta operatora virzienā.

### **Att.7**

Uzstādiet uz vārpstas iekšējo atloku. Novietojiet slīpripu virs iekšējā atloka un pieskrūvējiet kontruzgriezni uz vārpstas.

### **Att.8**

Lai pievilktu kontruzgriezni, stingri nospiediet vārpstas bloķētāju, lai vārpsta nevarētu griezties, pēc tam ar kontruzgriežņa atslēgas palīdzību labi pievelciet to pulksteņrādītāja virzienā.

Lai noņemtu slīpripu, izpildiet augstāk aprakstīto uzstādīšanas procedūru apgrieztā secībā.

## **Virsatloks (papildpiederums)**

Modeļiem ar burtu F standartā atpīkojumā ir virsatloks. Lai atskrūvētu kontruzgriezni, vajag tikai 1/3 tā darba, kāds vajadzīgs, skrūvējot parastā veidā.

## Ezynut (papildpiederums) uzstādīšana vai noņemšana

### ⚠UZMANĪBU:

- Neizmantojiet Ezynut ar virsatloku vai leņķa slīpmašīnu, kurai modeļa numura beigās ir burts „F”. Šādi atloki ir ļoti biezi, un vārpsta nevar noturēt visu vītni.

#### Att.9

Uzstādiet iekšējo atloku, abrazīvu ripu un Ezynut uz vārpstas tādā veidā, lai Makita logotips uz Ezynut atrodas ārpusē.

#### Att.10

Cieši piespiediet vārpstas bloķētāju un pieskrūvējiet Ezynut, griežot abrazīvo ripu pulksteņrādītāja virzienā, cik tālu iespējams pagrieziet.

Grieziet ārējo gredzenu Ezynut pretēji pulksteņrādītāja virzienam, lai to atskrūvētu.

#### Att.11

#### Att.12

### PIEZĪME:

- Ezynut var atskrūvēt ar roku, ja bulta atrodas pret ierobu. Pretējā gadījumā atskrūvēšanai nepieciešama kontruzgriežņa uzgriežņatslēga. Ievietojiet vienu uzgriežņatslēgas tapu atverē un pagrieziet Ezynut pretēji pulksteņrādītāja virzienam.

## Lokanās ripas (papildpiederums) uzstādīšana un noņemšana

### ⚠BRĪDINĀJUMS:

- Ja darbarīkam izmantojat lokano ripu, vienmēr lietojiet komplektā esošo aizsargu. Lietošanas laikā ripa var sadrupt un aizsargs palīdz samazināt ievainojumu gūšanas risku.

#### Att.13

Ievērojiet norādījumus, kas attiecas uz slīpripu ar ieliektu centru, kā arī vīrs ripas izmantojiet plastmasas paliktni. Skatiet daļu pasūtīšanu šīs rokasgrāmatas lappusē ar piederumu sarakstu.

## Abrazīvās ripas (papildpiederums) uzstādīšana vai noņemšana

### PIEZĪME:

- Izmantojiet slīpmašīnas piederumus, kādi norādīti šajā rokasgrāmatā. Tos jāiegādājas atsevišķi.

#### Att.14

Uzmontējiet gumijas starplikas uz vārpstas. Uzstādiet ripu uz gumijas starplikas un uzskrūvējiet pulēšanas kontruzgriežni uz vārpstas. Lai pieskrūvētu pulēšanas kontruzgriežni, stingri piespiediet ass aizslēgu tā, lai vārpsta nevar griezties, tad, izmantojot kontruzgriežņa uzgriežņatslēgu, cieši pievelciet pulksteņa rādītāja virzienā.

Lai noņemtu ripu, izpildiet iepriekš aprakstīto uzstādīšanas procedūru apgrieztā secībā.

## Putekļu aizsarga (piederums) uzstādīšana vai noņemšana

### ⚠BRĪDINĀJUMS:

- **Pirms putekļu aizsarga uzstādīšanas vai noņemšanas vienmēr pārbaudiet, vai darbarīks ir izslēgts un atvienots no strāvas.** To neievērojot var sabojāt darbarīku vai radīt ievainojumus.

Pieejami četri putekļu aizsargi, un katru no tiem izmanto atšķirīgos stāvokļos.

#### Att.15

Uzstādiet putekļu aizsargu tā, lai marķējums (A, B, C vai D) ir novietots, kā parādīts attēlā. Ievietojiet tapas atverēs.

Putekļu aizsargu iespējams noņemt ar rokām.

### PIEZĪME:

- Iztīriet putekļu aizsargu, kad tas ir aizsērējis ar nefturmiem vai svešķermeņiem. Ja turpināsiet darbu ar aizsērējušu putekļu aizsargu, sabojāsiet darbarīku.

## EKSPLUATĀCIJA

### ⚠BRĪDINĀJUMS:

- Strādājot ar darbarīku nekad nepielietojiet pārmērīgu spēku. Darbarīka svars rada pietiekošu spiedienu. Pārmērīgs spēks vai spiediens uz darbarīka var izraisīt ripas sagrūšanu, kas ir ļoti bīstami.
- VIENMĒR mainiet ripu, ja slīpēšanas laikā darbarīks nokrita.
- NEKAD nesītiēt slīpripu pret apstrādājamo virsmu.
- Izvairieties no ripas lēkāšanas un sadursmes ar šķēršļiem, it īpaši stūru, asu malu utt. apstrādes laikā. Tas var izraisīt kontroles zaudēšanu un atsitēnu.
- NEKAD neizmantojiet darbarīku ar koku zāģēšanas asmeņiem un citiem zāģu asmeņiem. Ja šādi asmeņi tiek izmantoti slīpmašīnai, tie bieži rada triecienus, kā rezultātā var tikt zaudēta kontrole pār instrumentu un var tikt iegūti savainojumi.

### ⚠UZMANĪBU:

- Nekad neieslēdziet darbarīku, kamēr tas pieskaras apstrādājamai virsmai, jo tas var novest pie traumas gūšanas.
- Darba laikā vienmēr lietojiet aizsargbrilles vai sejas aizsargmasku.
- Pēc darba pabeigšanas vienmēr slēdziet darbarīku ārā un uzgaidiet, kamēr ripa pilnīgi apstāties pirms nolieciet darbarīku.

## Slīpēšana un nolīdzināšana

### Att.16

VIENMĒR stingri turiet darbarīku ar vienu roku aiz korpusa un ar otru aiz sānu roktura. Ieslēdziet darbarīku un sāciet apstrādāt detaļu ar slīpripas vai diska palīdzību. Turiet slīpripas vai diska malu apmēram 15° leņķī pret apstrādājamo virsmu.

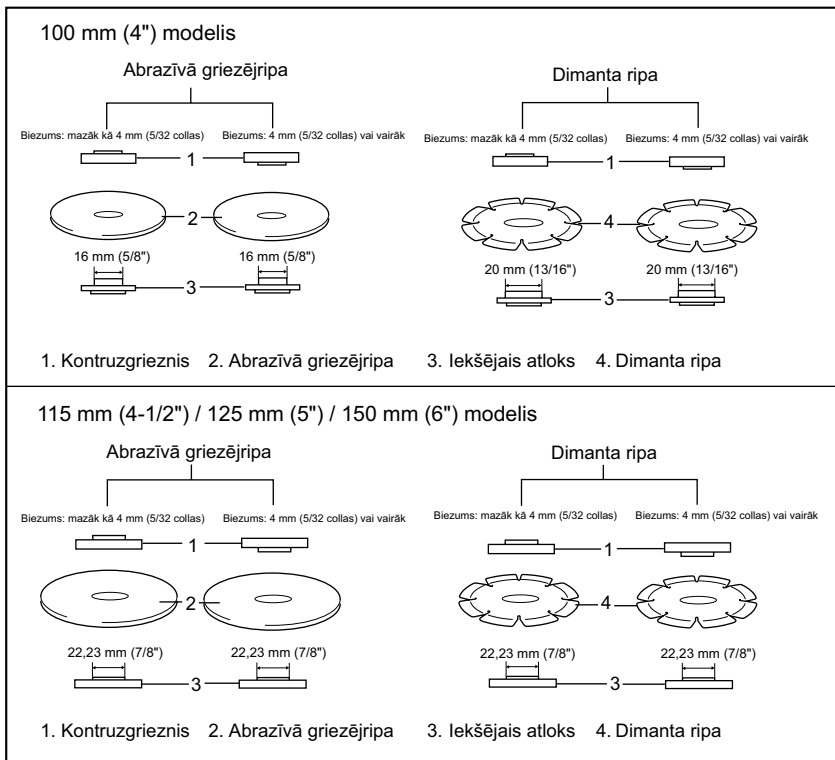
Uzsākot darbu ar jaunu slīpripu, nestrādājiet ar slīpmašīnu B virzienā, citādi tā var ieurbties apstrādājamajā virsmā. Kad slīpripas mala lietošanas gaitā ir noapaļota, slīpripu var izmantot darbam abos – A un B – virzienos.

### Darbība ar abrazīvu atgriešanas/dimanta ripu (papildpiederums)

### Att.17

Kontruzgriežņa un iekšējā atloka uzstādīšanas virziens ir atšķirīgs atkarībā no ripas biezuma.

Skatiet tabulu turpmāk.



012746

## **△BRĪDINĀJUMS:**

- Izmantojot abrazīvu atgriešanas/ dimanta ripu, lietojiet tikai īpašu ripas aizsargierīci, kas paredzēta atgriešanas ripām. (Dažās Eiropas valstīs, izmantojot dimanta ripu, var lietot parasto aizsargu. Ievērojiet savas valsts noteikumus.)
- NEKAD NELIETOJIET griezējripu sānu slīpēšanai.
- Neieklīļējiet ripu un nepielietojiet pārmērīgu spiedienu. Nemēģiniet veikt pārmērīga dziļuma griezumus. Ripas pārspriegošana palielina slodzi un uzņēmību pret ripas savērpsanos vai aizķeršanos griezumā, kā arī atsitiena, ripas salūšanas un dzinēja pārkarsēšanas iespējamību.
- Nesāciet griešanas darbību, darbarīkam atrodies apstrādājamajā virsmā. Ļaujiet ripai sasniegt pilnu ātrumu un uzmanīgi ievietojiet to griezumā, virzot darbarīku uz priekšu pāri apstrādājamā materiāla virsmai. Ripa var aizķerties, izvirzīties augšup vai veikt atsitienus, ja mehānizētais darbarīks tiek iedarbināts, kamēr tā atrodas apstrādājamajā virsmā.
- Nekad nemainiet slīpripas leņķi frēzēšanas laikā. Veicot sānu spiedienu uz griezējripu (kā, piemēram, slīpējot), ripa var saplaisāt un salūzt, radot nopietnus ievainojumus.
- Dimanta ripa jālieto perpendikulāri griežamajam materiālam.

## **Ekspluatācija ar bjodveida stieplu suku (papildpiederums)**

### **△UZMANĪBU:**

- Pārbaudiet sukas darbību, iedarbinot darbarīku bez slodzes un nodrošinot, lai sukas priekšā vai sānos neviens neatrastos.
- Neizmantojiet suku, kas ir bojāta vai nav balansēta. Bojātas sukas izmantošana var palielināt ievainojumu, ko rada salauzta sukas stieples, iespēju.

### **Att.18**

Atvienojiet darbarīku no strāvas un novietojiet otrādi, nodrošinot vienkāršu piekļuvi vārpstai. No vārpstas noņemiet visus piederumus. Uzstādiet bjodveida stieplu suku uz ass un pieskrūvējiet ar komplektā esošo uzgriežņu atslēgu. Izmantojot suku, to pārmērīgi nespiediet, jo tas var radīt stieplu saliekšanos, kas izraisa priekšlaicīgu salūšanu.

## **Ekspluatācija ar stieplu sukas ripu (papildpiederums)**

### **△UZMANĪBU:**

- Pārbaudiet stieplu sukas ripas darbību, iedarbinot darbarīku bez slodzes un nodrošinot, lai stieplu sukas ripas priekšā vai sānos neviens neatrastos.
- Neizmantojiet stieplu sukas ripu, kas ir bojāta vai nav balansēta. Bojātas stieplu sukas ripas izmantošana var palielināt ievainojumu, ko rada

salauzta stieples, iespēju.

- Lietojot stieplu sukas ripu, VIENMĒR izmantojiet aizsargu, nodrošinot, ka ripas diametrs atbilst aizsarga iekšpusei. Lietošanas laikā ripa var sadrupt un aizsargs palīdz samazināt ievainojumu gūšanas risku.

### **Att.19**

Atvienojiet darbarīku no strāvas un novietojiet otrādi, nodrošinot vienkāršu piekļuvi asij. No ass noņemiet visus piederumus. Uzskrūvējiet stieplu sukas ripu uz ass un pieskrūvējiet ar uzgriežņu atslēgu.

Izmantojot stieplu sukas ripu, to pārmērīgi nespiediet, jo tas var radīt stieplu saliekšanos, kas izraisa priekšlaicīgu saplīšanu.

## **APKOPE**

### **△UZMANĪBU:**

- Pirms veicat pārbaudi vai apkopi vienmēr pārlicinieties, vai instruments ir izslēgts un atvienots no barošanas.
- Nekad neizmantojiet gāzoliņu, benzīnu, atšķaidītāju, spirtu vai līdzīgus šķīdumus. Tas var radīt izbalēšanu, deformāciju vai plaisas.

### **Att.20**

Darbarīkam un tā ieplūdes un izplūdes atverēm jābūt tīriem. Regulāri tīriet darbarīka gaisa atveres, kā arī visos tajos gadījumos, kad atveres aizsprostojas.

Lai uzturētu izstrādājuma DROŠĪBU un UZTICAMU darbību, remonts, oglekļa suku pārbaude un maiņa, jebkāda cita apkope vai regulēšana jāveic Makita pilnvarotiem apkopes centriem, vienmēr izmantojot Makita rezerves daļas.

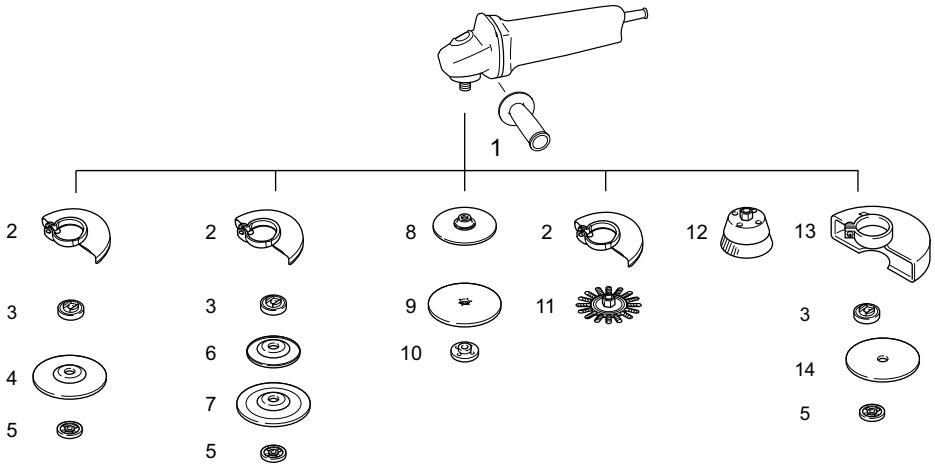
## **PAPILDU PIEDERUMI**

### **△UZMANĪBU:**

- Šādi piederumi un rīki tiek ieteikti lietošanai ar šajā pamācībā aprakstīto Makita instrumentu. Jebkādu citu piederumu un rīku izmantošana var radīt traumu briesmas. Piederumu vai rīku izmantojiet tikai tā paredzētajam mērķim.

Ja jums vajadzīga palīdzība vai precīzāka informācija par šiem piederumiem, vērsieties savā tuvākajā Makita apkopes centrā.

- Putekļu vācele



	100 mm (4") modelis	115 mm (4-1/2") modelis	125 mm (5") modelis	150 mm (6") modelis
1	Rokturis 36			
2	Slīpripas aizsargs (slīpēšanas diskam)			
3	Iekšējais atloks	Iekšējais atloks Virsatloks	Iekšējais atloks Virsatloks	Iekšējais atloks Virsatloks
4	Slīpripa ar ieliktu centru/ plāksņu disks			
5	Kontruzgrieznis	Kontruzgrieznis Eznut *1	Kontruzgrieznis Eznut *1	Kontruzgrieznis Eznut *1
6	Plastmasas paliktnis	Plastmasas paliktnis	Plastmasas paliktnis	-
7	Lokanā ripa	Lokanā ripa	Lokanā ripa	-
8	Gumijas paliktnis 76	Gumijas paliktnis 100	Gumijas paliktnis 115	Gumijas paliktnis 125
9	Abrazīva ripa			
10	Slīpēšanas kontruzgrieznis			
11	Stieplu sukas ripa			
12	Bjodveida stieplu suka			
13	Slīpripas aizsargs (atgriešanas ripām) *2			
14	Abrazīva atgriešanas ripa/dimanta ripa			
-	Kontruzgriežņa atslēga			

Piezīme:

\*1 Virsatloku un Eznut neizmantojiet kopā.

\*2 Dažās Eiropas valstīs, izmantojot dimanta ripu, īpašā aizsarga vietā, kas nosedz abas ripas puses, var lietot parasto aizsargu. Ievērojiet savas valsts noteikumus.

013732

#### PIEZĪME:

- Daži sarakstā norādītie izstrādājumi var būt iekļauti instrumenta komplektācijā kā standarta piederumi. Tie dažādās valstīs var būt atšķirīgi.

## LIETUVIŲ KALBA (Originali naudojimo instrukcija)

### Bendrasis aprašymas

1-1. Ašies fiksatorius	8-2. Ašies fiksatorius	15-1. Žymė A
2-1. Stumdomas jungiklis	9-1. Įtaisas „Ezynut“	15-2. Žymė B
4-1. Disko saugiklis	9-2. Abrazyvinis diskas	15-3. Žymė C
4-2. Guoliai	9-3. Vidinis kraštas	15-4. Žymė D
4-3. Sraigtas	9-4. Velenas	17-1. Fiksavimo galvutė
5-1. Disko saugiklis	10-1. Ašies fiksatorius	17-2. Šlifuojamasis pjovimo diskas/deimantinis diskas
5-2. Guoliai	11-1. Rodyklė	17-3. Vidinis kraštas
5-3. Sraigtas	11-2. Įdubimas	17-4. Apsauginis gaubtas šlifuojamajam pjovimo diskui/deimantiniams diskui
5-4. Svirtelė	13-1. Fiksavimo galvutė	18-1. Vielinis, taurelės formos šepetėlis
6-1. Sraigtas	13-2. Lankstus ratukas	19-1. Vielinis, disko formos šepetėlis
6-2. Svirtelė	13-3. Plastmasinis padas	20-1. Oro išmetimo anga
7-1. Fiksavimo galvutė	13-4. Vidinis kraštas	20-2. Oro įtraukimo anga
7-2. Nuspaustas centrinis diskas	14-1. Šlifavimo antveržlė	
7-3. Vidinis kraštas	14-2. Šlifavimo diskas	
8-1. Fiksavimo galvutės raktas	14-3. Guminis padas	

## SPECIFIKACIJOS

Modelis	GA4040	GA4540	GA5040	GA6040
Disko skersmuo	100 mm (4")	115 mm (4-1/2")	125 mm (5")	150 mm (6")
Maks. disko storis	6,4 mm			
Veleno sriegis	M10	M14 arba 5/8" (priklausomai nuo šalies)		
Nominalusis greitis (n) / greitis be apkrovos (n <sub>0</sub> )	11 000 min <sup>-1</sup>	11 000 min <sup>-1</sup>	11 000 min <sup>-1</sup>	9 000 min <sup>-1</sup>
Bendras ilgis	303 mm	303 mm	303 mm	303 mm
Neto svoris	2,3 kg	2,4 kg	2,4 kg	2,5 kg
Saugos klasė	II/II			

• Atliekame nepertraukiamus tyrimus ir nuolat tobuliname savo gaminius, todėl čia pateikiamos specifikacijos gali būti keičiamos be įspėjimo.

• Įvairiose šalyse specifikacijos gali skirtis.

• Svoris pagal Europos elektrinių įrankių asociacijos nustatytą metodiką „EPTA - Procedure 01/2003“

ENE048-1

### Naudojimo paskirtis

Įrankis yra skirtas šlifuoti, šlifuoti šlifavimo popieriumi, metalui ir akmeniui pjauti nenaudojant vandens.

ENF002-2

### Maitinimo šaltinis

Šis įrankį reikia jungti tik prie tokio maitinimo šaltinio, kurio įtampa atitinka nurodytąją įrankio duomenų plokštelėje; galima naudoti tik vienfazį kintamosios srovės maitinimo šaltinį. Jie yra dvigubai izoliuoti, todėl gali būti naudojami prijungus prie elektros lizdų be atžeminimo laido.

ENG905-1

### Triukšmas

Tipiškas A svertinis triukšmo lygis nustatytas pagal EN60745:

#### Modelis GA4040, GA4540, GA5040

Garso slėgio lygis (L<sub>PA</sub>): 86 dB(A)

Garso galios lygis (L<sub>WA</sub>): 97 dB(A)

Paklaida (K) : 3 dB (A)

### Modelis GA6040

Garso slėgio lygis (L<sub>PA</sub>): 87 dB(A)

Garso galios lygis (L<sub>WA</sub>): 98 dB(A)

Paklaida (K) : 3 dB (A)

### Dėvėkite ausų apsaugas

ENG900-1

### Vibracija

Vibracijos bendroji vertė (trijų ašių vektorinė suma) nustatyta pagal EN60745:

### Modelis GA4040

Darbo režimas: paviršiaus šlifavimas su įprasta šonine rankena

Vibracijos skleidimas (a<sub>h,AG</sub>): 6,0 m/s<sup>2</sup>

Paklaida (K) : 1,5 m/s<sup>2</sup>

Darbo režimas: paviršiaus šlifavimas, naudojant vibracijai atsparią šoninę rankeną  
 Vibracijos skleidimas ( $a_{h,AG}$ ):  $5,5 \text{ m/s}^2$   
 Paklaida (K):  $1,5 \text{ m/s}^2$

Darbo režimas: diskinis šlifavimas, naudojant įprastą šoninę rankeną  
 Vibracijos skleidimas ( $a_{h,DS}$ ):  $2,5 \text{ m/s}^2$  arba mažiau  
 Paklaida (K) :  $1,5 \text{ m/s}^2$

Darbo režimas: diskinis šlifavimas, naudojant vibracijai atsparią šoninę rankeną  
 Vibracijos skleidimas ( $a_{h,DS}$ ):  $2,5 \text{ m/s}^2$  arba mažiau  
 Paklaida (K) :  $1,5 \text{ m/s}^2$

#### Modelis GA4540

Darbo režimas: paviršiaus šlifavimas su įprasta šonine rankena  
 Vibracijos skleidimas ( $a_{h,AG}$ ):  $6,5 \text{ m/s}^2$   
 Paklaida (K):  $1,5 \text{ m/s}^2$

Darbo režimas: paviršiaus šlifavimas, naudojant vibracijai atsparią šoninę rankeną  
 Vibracijos skleidimas ( $a_{h,AG}$ ):  $6,0 \text{ m/s}^2$   
 Paklaida (K):  $1,5 \text{ m/s}^2$

Darbo režimas: diskinis šlifavimas, naudojant įprastą šoninę rankeną  
 Vibracijos skleidimas ( $a_{h,DS}$ ):  $2,5 \text{ m/s}^2$  arba mažiau  
 Paklaida (K) :  $1,5 \text{ m/s}^2$

Darbo režimas: diskinis šlifavimas, naudojant vibracijai atsparią šoninę rankeną  
 Vibracijos skleidimas ( $a_{h,DS}$ ):  $2,5 \text{ m/s}^2$  arba mažiau  
 Paklaida (K) :  $1,5 \text{ m/s}^2$

#### Modelis GA5040, GA6040

Darbo režimas: paviršiaus šlifavimas su įprasta šonine rankena  
 Vibracijos skleidimas ( $a_{h,AG}$ ):  $7,0 \text{ m/s}^2$   
 Paklaida (K):  $1,5 \text{ m/s}^2$

Darbo režimas: paviršiaus šlifavimas, naudojant vibracijai atsparią šoninę rankeną  
 Vibracijos skleidimas ( $a_{h,AG}$ ):  $6,0 \text{ m/s}^2$   
 Paklaida (K):  $1,5 \text{ m/s}^2$

Darbo režimas: diskinis šlifavimas, naudojant įprastą šoninę rankeną  
 Vibracijos skleidimas ( $a_{h,DS}$ ):  $2,5 \text{ m/s}^2$  arba mažiau  
 Paklaida (K) :  $1,5 \text{ m/s}^2$

Darbo režimas: diskinis šlifavimas, naudojant vibracijai atsparią šoninę rankeną  
 Vibracijos skleidimas ( $a_{h,DS}$ ):  $2,5 \text{ m/s}^2$  arba mažiau  
 Paklaida (K) :  $1,5 \text{ m/s}^2$

- Paskelbtasis vibracijos emisijos dydis nustatytas pagal standartinį testavimo metodą ir jį galima naudoti vienam įrankiui palyginti su kitu.
- Paskelbtasis vibracijos emisijos dydis taip pat gali būti naudojamas preliminariai įvertinti vibracijos poveikį.
- Paskelbtasis keliamos vibracijos dydis galioja naudojant šį elektrinį įrankį pagrindiniams, numatytiems darbams atlikti. Tačiau, jeigu įrankis naudojamas kitiems darbams atlikti, keliamos vibracijos dydis gali būti kitoks.

#### ⚠ SPĖJIMAS:

- Faktiškai naudojant elektrinį įrankį, keliamos vibracijos dydis gali skirtis nuo paskelbtojo dydžio, priklausomai nuo būdų, kuriais yra naudojamas šis įrankis.
- Siekiant apsaugoti operatorių, būtina įvertinkite saugos priemones, remdamiis vibracijos poveikio įvertinimu esant faktinėms naudojimo sąlygoms (atsižvelgdami į visas darbo ciklo dalis, pavyzdžiui, ne tik kiek laiko įrankis veikia, bet ir kiek kartų jis yra išjungiamas bei kai jis veikia be aprovų).

ENH101-16

#### Tik Europos šalims

#### ES atitikties deklaracija

**Mes, „Makita Corporation“ bendrovė, būdami atsakingas gamintojas, pareiškiame, kad šis „Makita“ mechanizmas(-ai):**

Mechanizmo paskirtis:

Kampinis šlifuoKLIS

Modelio Nr./ tipas: GA4040, GA4540, GA5040, GA6040  
 priklauso serijinei gamybai ir

**Atitinka šias Europos direktyvas:**

2006/42/EC

Ir yra pagamintas pagal šiuos standartus arba normatyvinius dokumentus:

EN60745

Techninė dokumentacija saugoma:

Makita International Europe Ltd.

Technical Department,

Michigan Drive, Tongwell,

Milton Keynes, Bucks MK15 8JD, England  
 (Anglija)

17.8.2011



000230

Tomoyasu Kato

Direktorius

Makita Corporation

3-11-8, Sumiyoshi-cho,

Anjo, Aichi, 446-8502, JAPAN (Japonija)

## Bendrieji perspėjimai darbui su elektriniais įrankiais

⚠ **ISPĖJIMAS** Perskaitykite visus saugos įspėjimus ir instrukcijas. Nesilaikydami žemiau pateiktų įspėjimų ir instrukcijų galite patirti elektros smūgį, gaisrą ir/arba sunkų sužeidimą.

**Išsaugokite visus įspėjimus ir instrukcijas, kad galėtumėte jas peržiūrėti ateityje.**

GEB033-7

## SAUGOS ĮSPĖJIMAI DĖL ŠLIFUOTUVO NAUDOJIMO

Bendri saugos įspėjimai atliekant šlifavimo, šlifavimo šlifavimo popieriumi, šveitimo vieliniu šepėčiu ir abrazyvinio pjaustymo darbus:

1. Šis elektrinis įrankis skirtas naudoti kaip šlifavimo staklės, šlifotuvas šlifavimo popieriumi, vielinis šepetys ar pjaustymo įrankis. Skaitykite visus prie šio elektrinio įrankio pridėtus saugos įspėjimus, instrukcijas, iliustracijas ir techninius reikalavimus. Dėl žemiau pateiktų instrukcijų nesilaikymo gali kilti elektros smūgio, gaisro ir / arba sužeidimo pavojus.
2. **Su šiuo elektriniu įrankiu nerekomenduojama atlikti tokių darbų kaip poliravimas.** Jei elektrinis įrankis naudojamas ne pagal paskirtį, gali kilti pavojus ir galima susižeisti.
3. **Nenaudokite priedų, kurie nėra specialiai sukurti ir rekomenduojami įrankio gamintojo.** Vien dėl to, kad priedą įmanoma pritaisyti prie jūsų elektrinio įrankio, tai negali užtikrinti saugios eksploatacijos.
4. **Nominalusis priedo greitis turi būti bent jau lygus maksimaliam greičiui, nurodytam ant elektrinio įrankio.** Priedai, kurie veikia greičiau už nominalųjį greitį, gali sulūžti ir atsiskirti.
5. **Jūsų priedo išorinis skersmuo bei storumas neturi viršyti jūsų elektrinio įrankio talpos duomenų.** Neteisingai išmatuoti priedai negali būti pakankamai saugomi ir valdomi.
6. **Srieginių priedų jungiamoji dalis privalo atitikti šlifuklio veleno sriegį.** Priedų, montuojamų naudojant junges, angos velenui dydis privalo tiksliai atitikti jungės fiksavimo skersmenį. Priedai, kurių dydis neatitinka elektrinio įrankio dalių, prie kurių jie yra montuojami, dydžio, išbalansuos įrankį, sukels pernelyg didelę vibraciją bei įrankio valdymo praradimą.
7. **Nenaudokite pažeistų priedų. Kiekvieną kartą prieš naudodami įrankį patikrinkite jo priedus, pvz., ar šlifavimo diskai nenudaužyti ir**

nesutrūkę, ar nėra atraminių padėklų įtrūkių, plyšių ar jie ne per daug nusidėvėję, ar nėra iškritusių vielinio šepėčio vielų ir ar jos nenulūžusios. Jei elektrinis įrankis ar jo priedas buvo numestas, patikrinkite, ar nėra pažeidimų arba naudokite nepažeistą priedą. Patikrinę ir sumontavę priedą patys būkite ir aplinkiniams nurodykite būti toliau nuo besisukančių priedų ir paleiskite įrankį veikti didžiausiu nulinės apkrovos greičiu 1 minutę. Paprastai sugadinti priedai tokio patikrinimo metu iškrenta.

8. **Dėvėkite asmeninės apsaugos aprangą.** Priklausomai nuo pritaikymo, naudokite apsauginį veido skydelį, tamsius arba apsauginius akinius. Kaip pridera, dėvėkite priešdulkinę puskaukę, klausos apsaugą, pirštines ir dirbtuvės prijuostę, sulaikančią smulkius abrazyvus ar ruošinio skeveldras. Akių apsauga turi sulaikyti skriejančias nuolaužas, susidariusias įvairių operacijų metu. Priešdulkinė puskaukė arba respiratorius turi filtruoti dalelytes, susidariusias jums vykdant operacijas. Dėl intensyvaus ilgalaikio triukšmo galima prarasti klausą.
9. **Laikykite stebinguosius toliau nuo darbo vietos. Kiekvienas, užeinantis į darbo vietą, turi dėvėti asmeninę apsaugos aprangą.** Ruošinio ar sulūžusio priedo skeveldros gali nuskrieti toliau ir sužeisti asmenis už tuo metu vykdomos operacijos zonos.
10. **Atlikdami darbus, kurių metu pjovimo antgalis galėtų užkliudyti nematomą laidą arba savo paties laidą, laikykite elektrinio įrankius tik už izoliuotų paviršių.** Pjovimo antgaliai prisilietus prie „gyvo“ laido, neizoliuotos metalinės elektrinio įrankio dalys gali sukelti elektros smūgį ir nutrenkti operatorių.
11. **Saugiai atitraukite laidą nuo greitai besisukančio priedo.** Jei netektumėte savitvardos, galite perkirsti ar užkliudyti laidą, o jūsų plaštaką arba ranką gali įtraukti greitai besisukantis priedas.
12. **Niekada nepadėkite šio elektrinio įrankio, kol jo priedas nėra visiškai sustojęs.** Greitai besisukantis priedas gali užkabinti paviršių ir jūs galite nebesuvaldyti elektrinio įrankio.
13. **Nenaudokite elektrinio įrankio laikydami jį su prie šono.** Greitai besisukantis priedas gali atsitiktinai užkabinti jūsų drabužius ir jus sužaloti.
14. **Reguliariai išvalykite elektrinio įrankio oro ventiliacijos angas.** Variklio ventiliatorius traukia dulkes iš korpuso vidų ir dėl per didelės metalo dulkių sankaupos gali kilti su elektros aranga susijęs pavojus.
15. **Nenaudokite elektrinio įrankio būdami netoliese degių medžiagų.** Nuo kibirkščių degiosios medžiagos gali užsidegti.



16. **Nenaudokite priedų, kuriems reikalingi skysti aušinimo skysčiai.** Naudojant vandenį ar kitą skystį gali išitikti mirtina elektros trauma ar elektros smūgis.

#### **Atatranks ir su ja susiję įspėjimai**

Atatranka yra staigi reakcija į suspaustą arba sugriebtą besisukančią diską, atraminį padėklą, šepetį ar kitą priedą. Suspaudimas arba sugriebimas sukelia staigų besisukančio priedo sulaikyimą, dėl kurio nevaldomas elektrinis įrankis sulaikyimo taške verčiamas judėti priešinga priedo sukimuisi kryptimi.

Pavyzdžiui, jeigu šlifavimo diską suspaudžia ruošinys, disko kraštas, kuris patenka į suspaudimo tašką, gali atsibesti į medžiagos paviršių ir dėl to diskas atšoks. Diskas gali atšokti į operatorių arba nuo jo; tai priklauso nuo disko sukimosi krypties suspaudimo metu. Šlifavimo diskas tokomis sąlygomis gali ir sulūžti.

Atatranka yra piktnaudžiavimo elektriniu įrankiu ir (arba) netinkamą darbo procedūrą ar sąlygą rezultatą, jos galima išvengti vadovaujantis toliau nurodytomis atsargumo priemonėmis.

- Tvirtai laikykite elektrinį įrankį ir stovėkite taip, kad jūsų kūnas bei ranka netrukdytų priešintis atatranks jėgoms.** Visada naudokite papildomą rankeną, jei tokia yra, kad įjungimo metu galėtumėte maksimaliai valdyti atatranką ar sukamojo momento reakcijas. Operatorius gali valdyti sukamojo momento reakciją bei atatranks jėgą, jei imasi atitinkamų atsargumo priemonių.
- Niekada nelaikykite rankos šalia besisukančio priedo.** Priedas gali atsitrekti į jūsų ranką.
- Nebūkite toje zonoje, á kuriá elektrinis árankis judės, jei atatranka ávyks.** Atatranka pastums áranká priešinga disko sukimuisi kryptimi suspaudimo taške.
- Ypatingai saugokitės apdirbdami kampus, aštirus kraštus ir t.t. Stenkitės priedo nesutrenkti ir neužkliudyti.** Besisukantis priedas gali užsikabinti ar atsitrekti į kampus, aštirus kraštus ir sukelti atatranką, o dėl to galima nebesuvaldyti įrankio.
- Nenaudokite pjūklo grandinės su medį raizančiais ašmenimis ar dantytos pjūklo grandinės.** Tokie ašmenys gali sukelti dažnas atatranks ir valdymo praradimą.

#### **Specialūs saugos įspėjimai atliekant šlifavimo ir abrazyvinio pjaustymo darbus:**

- Naudokite tik tuos diskus, kurie rekomenduojami naudoti su jūsų elektriniu įrankiu, ir specialią tam diskui skirtą apsaugą.** Diskai, kurie netinka elektriniam įrankiui, negali būti tinkamai apsaugoti ir yra nesaugūs.
- Sumontuotų diskų su įspaustu centru šlifavimo paviršius privalo būti žemiau apsauginio gaubto krašto plokštumas.** Netinkamai sumontuotas diskas, kuris kyšo pro

apsauginio gaubto krašto plokštumą, negali būti tinkamai apsaugotas.

c) **Apsauginis gaubtas turi būti tinkamai pritvirtintas prie elektrinio įrankio ir didžiausio saugumo sumetimais uždėtas, kad nuo mažesnė disko dalis galėtų paveikti operatorių.** Apsauginis gaubtas padeda apsaugoti operatorių nuo atskilusių disko dalelių ir netyčinio prisilietimo prie disko bei žiežirbų, kurios gali uždegti drabužius.

d) **Diskai turi būti naudojami tik pagal rekomenduojamą paskirtį.** Pavyzdys: **nešifuokite pjovimo disko šonu.** Abrazyviniai pjovimo diskai skirti periferiniam galandimui, šoninės jėgos juos gali suskaldyti.

e) **Visada naudokite tik nesugadintas diskų junges – pasirinktam diskui tinkamo dydžio bei formos.** Tinkamos diskų jungės prailgo diską, mažindamos disko trūkimo galimybę. Pjovimo diskams skirtos jungės gali būti visai kitokios nei šlifavimo diskų jungės.

f) **Nenaudokite nuo galingų įrankių nuimtus nusidėvėjusių diskų.** Didesniems elektriniams įrankiams skirti diskai netinka greičiau besisukančiam mažesniai įrankiui: jie gali sutrūkinėti į tūkstančius dalių.

#### **Papildomi specialūs saugos įspėjimai atliekant abrazyvinio pjaustymo darbus:**

- Nesukelkite pjovimo disko strigties ir nenaudokite per didelio spaudimo.** Nesistenkite padaryti itin gilaus pjūvio. Per didelis spaudimas padidina apkrovą ir disko pjūvyje persikreipimo ar upstrigimo tikimybę bei atatranks ar disko lūpimo galimybę.
- Nebūkite besisukančio disko zonoje.** Kai diskas veikimo metu juda nuo jūsų kūno, galima atatranka gali pastumti besisukančią diską ir elektrinį įrankį tiesiai į jus.
- Kai diskas užstrigo arba kai pjovimas dėl kitų priežasčių nutraukiamas, išjunkite elektrinį įrankį ir nejudinkite jo, kol diskas visiškai nenustos sukstis.** Niekada nendandykite išimti pjovimo disko iš pjūvio, kai diskas sukasi, nes gali susidaryti atatranka. Ištrinkite ir imkitės tinkamų veiksmų, kad pašalintumėte disko užstrigimo priežastį.
- Nepradėkite iš naujo pjauti, kai diskas ruošinyje.** Leiskite, kad diskas pasiektų visą greitį ir tik tada atsargiai įleiskite jį į pjūvį. Diskas gali įstrigti, iššokti arba atšokti, jeigu elektrinis įrankis bus iš naujo paleistas diskui esant ruošinyje.
- Plokštes ar kitus per didelio dydžio ruošinius paremkite ir taip sumažinkite pavojų, kad diskas bus suspaustas ir atšoks.** Dideli ruošiniai linksta dėl savo pačių svorio. Atramas reikia dėti po ruošiniu netoli pjovimo linijos ir greta ruošinio briaunos iš abiejų disko pusių.

- f) **Būkite ypač atsargūs, kai darote „kišeninį“ pjūvą sienose ar kituose aklinoose plotuose.** Išsikišantis diskas gali perpjauti dujor ar vandens vamzdžius, elektros laidus ar objektus, kurie gali sukelti atitrūkimą.

**Specialūs saugos įspėjimai atliekant šlifavimo darbus šlifavimo popieriumi:**

- a) **Nenaudokite itin didelio dydžio šlifavimo disko popieriaus.** Laikykitės gamintojo rekomendacijų, kai renkatės šlifavimo popierių. Didesnis šlifavimo popierius, kuris išsikiša už šlifavimo padėklo ribų, gali sukelti įplėšimo pavojų, dėl to gali lūžti diskas arba įvykti atitrūkimas.

**Specialūs saugos įspėjimai dirbant su vieliniu špečiu:**

- a) **Įsidėmėkite, kad vielos šereliai krenta iš špečio netgi įprasto naudojimo metu.** Nespauskite per daug šerelių, naudodami didelę jėgą špečiu. Vieliniai šereliai gali lengvai pradurti ploną drabužių ir / arba odą.
- b) **Jeigu rekomenduojama naudoti špečio apsaugą, neleiskite, kad vielinis diskas ar šepetys būtų naudojami be apsaugos.** Vielinio disko ar špečio skersmuo dėl darbinio krūvio ir išscentrinųjų jėgų poveikio gali padidėti.

**Papildomi saugos perspėjimai:**

17. **Naudodami nuspaustus centrinius šlifavimo diskus, būtinai naudokite tik stiklo pluoštu sustiprintus diskus.**
18. **Su šiuo šlifuoekliu NIEKADA NENAUDOKITE taurelės formos akmeninio šlifavimo disko.** Šis šlifuooklis nėra skirtas naudoti su šio tipo diskais, todėl naudojant tokį gaminį galima sunkiai susižeisti.
19. **Nepažeiskite veleno, jungės (ypač montavimo paviršiaus) ir fiksavimo galvutės.** Dėl šių dalių pažeidimų gali lūžti diskas.
20. **Prieš įjungdami jungiklį patikrinkite, ar diskas nesiliečia su ruošiniu.**
21. **Prieš naudodami įrankį darbui su tikru ruošiniu, kurį laiką įrankį palaikykite įjungtą.** Stebėkite, ar nėra vibracijos ar klībėjimo, rodančio blogą surinkimą ar blogai subalansuotą diską.
22. **Šlifavimui naudokite nurodyto paviršiaus diską.**
23. **Nepalikite veikiančio įrankio.** Naudokite įrankį tik laikydami rankomis.
24. **Nelieskite ruošinio iškart po naudojimo; jis gali būti itin karštas ir nudeginti odą.**
25. **Laikykitės gamintojo nurodymų apie teisingą diskų uždėjimą ir naudojimą.** Su diskais elkitės ir juos laikykite rūpestingai.
26. **Nenaudokite atskirų mažinimo įvorių arba adapterių, skirtų didelių skylių abrazyviniams diskams uždėti.**
27. **Naudokite tik šiam įrankiui nurodytas junges.**

28. **Jei naudojate įrankius, kuriems skirti diskai su sriegiu, įsitikinkite, kad sriegis diske yra pakankamai ilgas, kad tiktų veleno ilgis.**
29. **Patikrinkite, ar ruošinys yra tinkamai palaikomas.**
30. **Atkreipkite dėmesį, kad išjungus įrankį diskas toliau sukasi.**
31. **Jei darbo vieta yra ypač karšta ir drėgna, arba labai užteršta laidžiomis dulkelėmis, naudokite užtrumpinimo pertraukiklį (30 mA), kad užtikrintumėte naudojimo saugumą.**
32. **Nenaudokite įrankio su bet kokiomis medžiagomis, kuriose yra asbesto.**
33. **Kai naudojate pjovimo diską, visuomet dirbkite su dulkes renkančia disko apsauga, kurios reikalauja vietinės taisyklės.**
34. **Pjovimo diskų negalima spausiti iš šonų.**

## SAUGOKITE ŠIAS INSTRUKCIJAS.

### ⚠️ ĮSPĖJIMAS:

**NELEISKITE, kad patogumas ir gaminio pažinimas (įgyjamas pakartotinai naudojant) susilpnintų griežtą saugos taisyklių, taikytinų šiam gaminiui, laikymąsi.** Dėl NETINKAMO NAUDOJIMO arba saugos taisyklių nesilaikymo, kurios pateiktos šioje instrukcijoje galima rimtai susižeisti.

# VEIKIMO APRAŠYMAS

## ⚠DĖMESIO:

- Prieš reguliuodami įrenginį arba tikrindami jo veikimą visada patikrinkite, ar įrenginys išjungtas, o laido kištukas - ištrauktas iš elektros lizdo.

## Ašies fiksatoriaus

### Pav.1

## ⚠DĖMESIO:

- Niekada nejunkite ašies fiksatoriaus, kai velenas juda. Tokiu būdu galima sugadinti įrankį.

Paspauskite ašies fiksatorių, kad velenas nesisuktų, kai dedate ar nuimate priedus.

## Jungiklio veikimas

### Pav.2

## ⚠DĖMESIO:

- Prieš įjungdami įrankį į elektros tinklą, visuomet patikrinkite, ar stumdomas jungiklis tinkamai išsijungia ir grįžta į išjungimo padėtį „OFF“, kai nuspaudžiamas jungiklio galas.
- Kai įrankis naudojamas ilgą laiko tarpą, operatoriaus patogumui jungiklį galima užfiksuoti „ON“ (įjungta) padėtyje. Būkite atsargūs, užfiksuodami įrankį „ON“ padėtyje ir tvirtai laikykite įrankio rankeną.

Norėdami įjungti įrankį, pastumkite stumdomą jungiklį į padėtį „I (ON)“, spausdami galinę stumdomo jungiklio dalį. Jei norite dirbti be pertraukų, paspauskite stumdomo jungiklio priekį, kad užfiksuotumėte.

Įrankiu sustabdyti paspauskite stumdomo jungiklio galą, tada nustumkite į išjungimo padėtį „O (OFF)“.

# SURINKIMAS

## ⚠DĖMESIO:

- Prieš taisydami įrenginį visada patikrinkite, ar jis išjungtas, o laido kištukas - ištrauktas iš elektros lizdo.

## Šoninės rankenos montavimas

### Pav.3

## ⚠DĖMESIO:

- Prieš naudodami visuomet įsitikinkite, kad šoninė rankena yra patikimai uždėta.

Prisukite šoninę rankeną patikimai jos vietoje, kaip parodyta paveikslėlyje.

## Apsauginio gaubto uždėjimas arba nuėmimas (diskui su įgaubtu centru, poliravimo diskui, lankščiajam diskui, vieliniam disko formos šepetėliui / šlifuojamajam pjovimo diskui, deimantiniam diskui)

## ⚠ĮSPĖJIMAS:

- Kai naudojate diską su įgaubtu centru, poliravimo diską, lankstųjį diską arba vielinį disko formos šepetėlį, apsauginis disko gaubtas turi būti uždėtas ant įrankio taip, kad uždaras apsauginio gaubto šonas visuomet būtų atsuktas į operatorių.
- Naudodami šlifuojamąjį pjovimo/deimantinį diską, būtina naudoti tik specialų apsauginį gaubtą, skirtą naudoti su pjovimo diskais. (Tam tikrose Europos šalyse naudojant deimantinį diską, galima naudoti įprastą apsauginį gaubtą. Vadovaukitės jūsų šalyje galiojančiomis taisyklėmis.)

## Įrankiu su fiksuojamo varžto tipo disko apsauga

### Pav.4

Uždėkite disko apsaugą ant disko apsauginės juostos, išsikišimus sutapdinę su įrantomis ties guolių dėže. Tuomet pasukite disko saugiklį apie 180 ° prieš laikrodžio rodyklę. Būtinai patikimai priveržkite varžtą. Jei norite išimti disko saugiklį, laikykitės montavimo procedūros atvirkščia tvarka.

## Įrankiu su suveržimo svirties tipo disko apsauga

### Pav.5

Atlaisvinę varžtą, stumkite svirtį rodyklės kryptimi. Uždėkite disko apsaugą ant disko apsauginės juostos, išsikišimus sutapdinę su įrantomis ties guolių dėže. Tuomet pasukite disko saugiklį maždaug 180 °.

### Pav.6

Pastūmę svirtį rodyklės kryptimi, priveržkite apsauginį disko gaubtą tvirtinimo varžtu. Nustatomą disko apsaugos kampa galima reguliuoti svirtimi.

Jei norite išimti disko saugiklį, laikykitės montavimo procedūros atvirkščia tvarka.

## Disko su įgaubtu centru arba poliravimo disko (papildomo priedo) uždėjimas ir nuėmimas

## ⚠ĮSPĖJIMAS:

- Kai naudojate diską su įgaubtu centru arba poliravimo diską, apsauginis disko gaubtas turi būti uždėtas ant įrankio taip, kad uždaras apsauginio gaubto šonas visuomet būtų atsuktas į operatorių.

### Pav.7

Uždėkite vidinį kraštą ant veleno. Uždėkite diską ant vidinio krašto ir prisukite fiksatoriaus galvutę ant veleno.

### Pav.8

Jei norite priveržti fiksavimo galvutę, stipriai paspauskite ašies fiksatorių taip, kad velenas negalėtų sukis, tada pasinaudokite fiksavimo galvutės raktu ir patikimai priveržkite pagal laikrodžio rodyklę.

Jei norite nuimti diską, laikykitės uždėjimo procedūros atvirkščia tvarka.

### **Papildoma jungė (papildomas priedas)**

Modeliuose su raide F būna standartiškai sumontuota papildoma jungė. Fiksavimo veržlei atsukti tereikia tik 1/3 pastangų, palyginus su pastangomis, kurių paprastai reikia įprastai veržlei atsukti.

### **Įtaiso „Ezynut“ (pasirenkamo priedo) uždėjimas arba nuėmimas**

#### **⚠DĖMESIO:**

- Nenaudokite veržlės „Ezynut“ su papildoma jungė arba kampiniu šlifuoekliu, kurio modelio numerio gale yra raidė „F“. Šios jungės yra tokios storos, kad jų neįmanoma iki galo užsriegti ant veleno.

#### **Pav.9**

Uždėkite vidinę jungę, šlifavimo diską ir veržlę „Ezynut“ ant veleno taip, kad ant „Ezynut“ esantis logotipas „Makita“ būtų nukreiptas išorėn.

#### **Pav.10**

Tvirtai įspauskite veleno fiksatorių ir priveržkite veržlę „Ezynut“, sukdami abrazyvinį diską pagal laikrodžio rodyklę tiek, kiek jis suksis.

Norėdami atlaisvinti, sukite išorinį įtaiso „Ezynut“ žiedą prieš laikrodžio rodyklę.

#### **Pav.11**

#### **Pav.12**

#### **PASTABA:**

- Jeigu tik rodyklė nukreipta įrantos link, įtaisą „Ezynut“ galima atsukti rankomis. Kitais atvejais, norint jį atsukti, reikia veržliarakčio. Įkiškite vieną veržliarakčio smaigą į angą ir sukite įtaisą „Ezynut“ prieš laikrodžio rodyklę.

### **Lankščiojo disko (papildomo priedo) uždėjimas ir nuėmimas**

#### **⚠ĮSPĖJIMAS:**

- Visada naudokite pateiktą apsauginį gaubtą, kai ant įrankio uždėtas lankstusis diskas. Naudojimo metu diskas gali subyrėti, o apsauginis gaubtas sumažina galimybę susižeisti.

#### **Pav.13**

Vadovaukitės diskui su įgaubtu centru taikomais nurodymais, bet ant disko taip pat uždėkite plastikinį padą. Žr. uždėjimo eilės tvarką, aprašytą šio vadovo priedų puslapyje.

### **Šlifavimo disko (pasirenkamo priedo) uždėjimas arba nuėmimas**

#### **PASTABA:**

- Naudokite šiame vadove išvardintus papildomus šlifavimo priedus. Juos reikia įsigyti atskirai.

#### **Pav.14**

Uždėkite ant ašies guminių pagrinda. Uždėkite diską ant guminio pagrindo ir užsukite antveržlę ant veleno. Norėdami priveržti šlifavimo antveržlę, stipriai paspauskite ašies fiksatorių, kad velenas negalėtų suktis; tada, naudodami antveržlės raktą, tvirtai priveržkite ją, sukdami pagal laikrodžio rodyklę.

Jei norite nuimti diską, laikykitės uždėjimo procedūros atvirkščia tvarka.

### **Dulkių gaubto įtaiso (pasirenkamas priedas) sumontavimas ir nuėmimas**

#### **⚠ĮSPĖJIMAS:**

- **Prieš uždėdami arba nuimdami dulkių gaubto priedą, visuomet būtinai išjunkite įrankį ir atjunkite jį nuo maitinimo tinklo.** Jeigu to nepadarysite, gali sugesti įrankis arba galima sunkiai susižeisti.

Yra keturių rūšių dulkių gaubtai, kurių kiekvienas naudojamas skirtingoje padėtyje.

#### **Pav.15**

Nustatykite dulkių gaubto priedą taip, kad žymė (A, B, C arba D) būtų nurodytoje padėtyje. Užfiksukite kaiščius angose.

Dulkių gaubtą galima nuimti rankomis.

#### **PASTABA:**

- Išvalykite dulkių gaubtą, jeigu jame susikaupia dulkių arba pašalinių medžiagų. Tęsiant darbą, kai dulkių gaubtas užkimštas, įrankis gali būti sugadintas.

## **NAUDOJIMAS**

#### **⚠ĮSPĖJIMAS:**

- Dirbant su įrankiu niekada nereikėtų naudoti jėgos. Įrankio svoris sukelia pakankamą spaudimą. Jėgos naudojimas ir per didelis spaudimas kelia pavojingo disko lūžimo pavojų.
- **VISUOMET** pakeiskite diską, jei įrankis iškrito šlifavimo metu.
- **NIEKADA** nedaužykite šlifavimo disko į ruošinį.
- Venkite disko atšokimų ir užkliuvimų, ypač kai apdorojate kampus, aštirus kraštus ir .t. t. Dėl to galima nesuvaldyti įrankio ir jis gali atšokti.
- **NIEKADA** nenaudokite įrankio su medžio pjovimo ašmenimis ir kitomis pjūklo geležtėmis. Tokius ašmenis naudojant su šlifotuovu dažnai įvyksta atitranka, dėl kurios įrankis tampa nevaldomas ir gali sužeisti žmogų.

### **⚠DĖMESIO:**

- NIEKADA neįjunkite įrankio, kai jis liečiasi su ruošiniu, - įrankio naudotojas gali susižeisti.
- Dirbdami visuomet dėvėkite apsauginius akinius arba veido skydelį.
- Panaudoję įrankį visuomet jį išjunkite ir prieš padėdami įrankį palaukite, kol diskas visiškai sustos.

### **Šlifavimas ir šlifavimas švitriniais popieriais**

#### **Pav.16**

Visuomet laikykite įrankį tvirtai viena ranka ant korpuso ir kita ant šoninės rankenos. Įjunkite įrankį ir tada disku apdirbkite ruošinį.

Apskritai, laikykite disko kraštą maždaug  $15^\circ$  kampu į ruošinio paviršių.

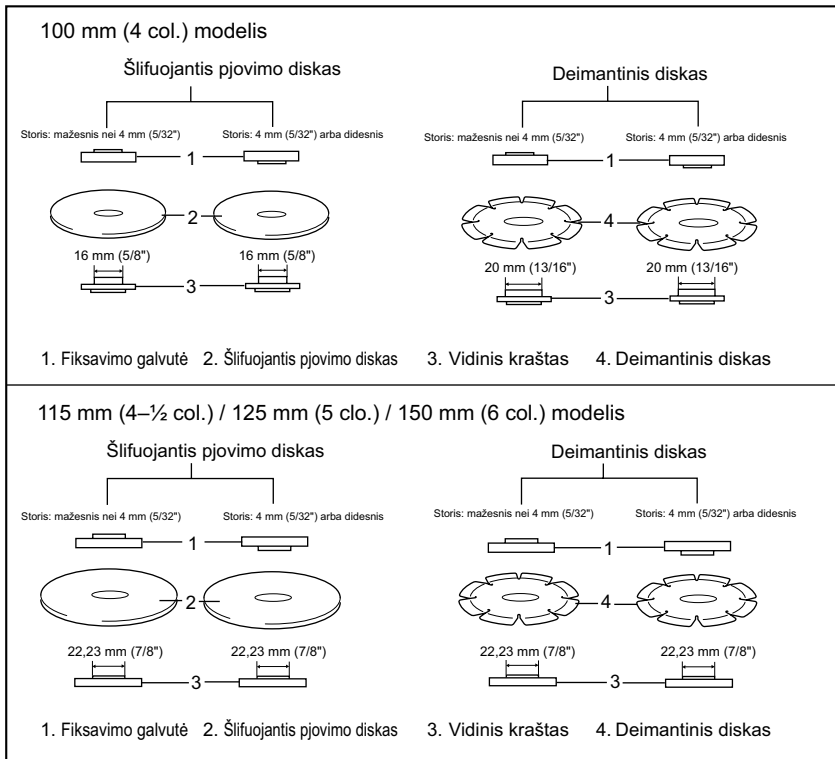
Naujo disko apšilimo laikotarpiu nedirbkite šlifuokliu kryptimi B arba jį įpjaukite ruošinį. Kai disko kraštas suapvalėja nuo naudojimo, disku galima dirbti abiem – A ir B – kryptimis.

## Šlifujamojo pjovimo disko/deimantinio disko (pasirenkamo priedo) naudojimas

Pav.17

Antveržlės ir vidinių jungių montavimo kryptis priklauso nuo disko storio.

Žr. toliau pateiktą lentelę.



012746

### ⚠️ ĮSPĖJIMAS:

- Naudodami šlifujamąjį pjovimo/deimantinį diską, būtina naudokite tik specialų apsauginį gaubtą, skirtą naudoti su pjovimo diskais. (Tam tikrose Europos šalyse naudojant deimantinį diską, galima naudoti įprastą apsauginį gaubtą. Vadovaukitės jūsų šalyje galiojančiomis taisyklėmis.)
- NIEKADA nenaudokite pjovimo disko šonams šlifuoti.
- Neužstrigdykite disko ir per daug jo nespauskite. Nesistenkite padaryti itin gilaus pjūvio. Per didelis spaudimas padidina apkrovą disko pjūvyje, persikreipimo ar užstrigimo tikimybę bei atitrūkimo, disko lūžimo ir motoro perkaitimo galimybę.
- Nepradėkite pjauti ruošinyje. Leiskite, kad diskas pasiektų visą greitį, ir tik tada atsargiai įleiskite jį į

pjūvį, stumdami jį pirmyn ruošinio paviršiuje. Diskas gali įstrigti, iššokti arba atšokti, jeigu elektrinis įrankis yra paleistas diskui esant ruošinyje.

- Pjaudami niekada nekeiskite disko kampo. Spaudžiant pjovimo diską iš šono (pvz., šlifuojant) diskas gali įtrūkti ar sulūžti, sukeldamas pavojų susižeisti.
- Deimantinį diską reikia naudoti tik nukreipus jį statmenai pjaunamai medžiagai.

### Vielinio, taurelės formos šepetėlio (pasirenkamo priedo) naudojimas

#### ⚠️ DĖMESIO:

- Patikrinkite, kaip veikia šepetėlis, paleidę įrankį veikti be apkrovų ir įsitikinę, kad niekas nestovi priešais arba vienoje linijoje su šepetėliu.

- Nenaudokite apgadinto arba išbalansuoto šepetėlio. Naudojant apgadintą šepetėlį, galima susižeisti, prisilietus prie aplūžusių šepetėlio vielų.

#### **Pav.18**

Išjunkite įrankį iš maitinimo tinklo ir padėkite jį apverstai, kad lengvai pasiektumėte veleną. Nuimkite nuo veleno visus priedus. Užsukite ant veleno vielinį, taurelės formos šepetėlį ir priveržkite jį pateiktuoju veržliarakčiu. Naudodami šepetėlį, pernelyg nespauskite, kad vielelės nesulinktų ir nesulūžtų pirma laiko.

#### **Vielinio, disko formos šepetėlio (pasirenkamo priedo) naudojimas**

##### **⚠DĖMESIO:**

- Patikrinkite, kaip veikia vielinis, disko formos šepetėlis, paleidę įrankį veikti be apkrovų ir įsitikinę, kad niekas nestovi priešais arba vienoje linijoje su vieliniu, disko formos šepetėliu.
- Nenaudokite apgadinto arba išbalansuoto vielinio, disko formos šepetėlio. Naudojant apgadintą vielinį, disko formos šepetėlį, galima susižeisti, prisilietus prie aplūžusių šepetėlio vielų.
- Naudodami vielinius, disko formos šepetėlius, VISADA naudokite apsauginį gaubtą, kuriame tilptų atitinkamo skersmens diskas. Naudojimo metu diskas gali subyrėti, o apsauginis gaubtas sumažina galimybę susižeisti.

#### **Pav.19**

Išjunkite įrankį iš maitinimo tinklo ir padėkite jį apverstai, kad galėtumėte lengvai pasiekti veleną. Nuimkite nuo veleno visus priedus. Užsukite vielinį, disko formos šepetėlį ant veleno ir priveržkite veržliarakčiais. Naudodami vielinį, disko formos šepetėlį, pernelyg nespauskite, kad vielelės nesulinktų ir nesulūžtų pirma laiko.

## **TECHNINĖ PRIEŽIŪRA**

##### **⚠DĖMESIO:**

- Prieš apžiūrėdami ar taisydami įrenginį visada patikrinkite, ar jis išjungtas, o laido kištukas - ištrauktas iš elektros lizdo.
- Niekada nenaudokite gazolino, benzino, tirpiklio, spirito arba panašių medžiagų. Gali atsirasti išblukimų, deformacijų arba įtrūkimų.

#### **Pav.20**

Prižiūrėkite, kad įrankis ir jo oro angos būtų švarios. Reguliariai išvalykite įrankio oro angas arba kai angos pradeda kimštis.

Kad gaminys būtų SAUGUS ir PATIKIMAS, jį taisyti, apžiūrėti, keisti anglinius šepetėlius, atlikti techninės priežiūros darbus arba reguliuoti turi įgaliojasis kompanijos „Makita“ techninės priežiūros centras; reikia naudoti tiksliai kompanijos „Makita“ pagamintas atsargines dalis.

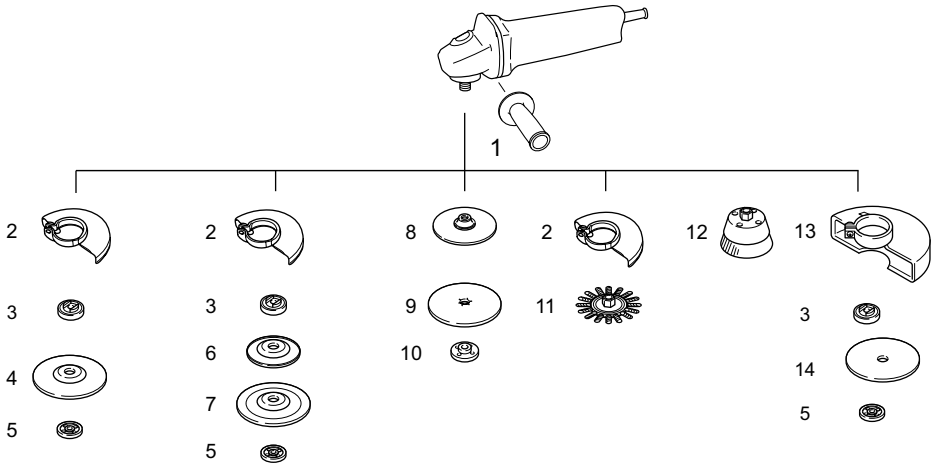
## **PASIRENKAMI PRIEDAI**

##### **⚠DĖMESIO:**

- Su šiame vadove aprašytu įrenginiu „Makita“ rekomenduojama naudoti tik nurodytus priedus ir papildomus įtaisus. Jeigu bus naudojami kitokie priedai ar papildomi įtaisai, gali būti sužaloti žmonės. Priedus arba papildomus įtaisus naudokite tik pagal paskirtį.

Jeigu norite daugiau sužinoti apie tuos priedus, kreipkitės į artimiausią „Makita“ techninės priežiūros centrą.

- Dulkių dangčio priedas



	100 mm (4 col.) modelis	115 mm (4–1/2 col.) modelis	125 mm (5 col.) modelis	150 mm (6 col.) modelis
1	Rankena 36			
2	Apsauginis gaubtas (šlifavimo diskui)			
3	Vidinis kraštas	Vidinis kraštas Super jungė	Vidinis kraštas Super jungė	Vidinis kraštas Super jungė
4	Diskas su įgaubtu centru / poliravimo diskas			
5	Fiksavimo galvutė	Fiksavimo galvutė Veržlė „Eznut“ *1	Fiksavimo galvutė Veržlė „Eznut“ *1	Fiksavimo galvutė Veržlė „Eznut“ *1
6	Plastmasinis padas	Plastmasinis padas	Plastmasinis padas	-
7	Lankstus ratukas	Lankstus ratukas	Lankstus ratukas	-
8	Guminis padas 76	Guminis padas 100	Guminis padas 115	Guminis padas 125
9	Šlifavimo diskas			
10	Šlifavimo antveržlė			
11	Vielinis, disko formos šepetėlis			
12	Vielinis, taurelės formos šepetėlis			
13	Apsauginis gaubtas (pjovimo diskui) *2			
14	Šlifuojamasis pjovimo diskas/deimantinis diskas			
-	Fiksavimo galvutės raktas			

Pastaba:

\*1 Nenaudokite papildomos jungės ir įtaiso „Eznut“ kartu.

\*2 Kai kuriose Europos šalyse naudojant deimantinį diską, vietoje specialaus apsauginio gaubto, dengiančio abu disko kraštus, galima naudoti įprastą apsauginį gaubtą. Vadovaukitės jūsų šalyje galiojančiomis taisyklėmis.

013732

**PASTABA:**

- Kai kurie sąraše esantys priedai gali būti pateikti įrankio pakuotėje kaip standartiniai priedai. Jie įvairiose šalyse gali skirtis.



## EESTI (algsed juhised)

### Üldvaate selgitus

1-1. Völlilukk	8-1. Fiksaatornutri võti	14-2. Lihvketas
2-1. Liugurlüüti	8-2. Völlilukk	14-3. Kummist tugiketas
4-1. Kettapiire	9-1. Ezynut	15-1. Märgis A
4-2. Laagriümbris	9-2. Lihvketas	15-2. Märgis B
4-3. Kruvi	9-3. Sisemine flanš	15-3. Märgis C
5-1. Kettapiire	9-4. Völl	15-4. Märgis D
5-2. Laagriümbris	10-1. Völlilukk	17-1. Fiksaatornutter
5-3. Kruvi	11-1. Nool	17-2. Lihvketas/teemantketas
5-4. Hoob	11-2. Sälk	17-3. Sisemine flanš
6-1. Kruvi	13-1. Fiksaatornutter	17-4. Lihvketta/teemantketta kettakaitse
6-2. Hoob	13-2. Painduv ketas	18-1. Traatidega kausshari
7-1. Fiksaatornutter	13-3. Plastikust ketas	19-1. Ketastraathari
7-2. Lohkus keskosaga ketas	13-4. Sisemine flanš	20-1. Väljalaskeventiil
7-3. Sisemine flanš	14-1. Lihvimisketta kontramutter	20-2. Sissetõmbeventiil

## TEHNILISED ANDMED

Mudel	GA4040	GA4540	GA5040	GA6040
Ketta läbimõõt	100 mm (4")	115 mm (4-1/2")	125 mm (5")	150 mm (6")
Maksimaalne ketta paksus	6,4 mm			
Võlli keerrestus	M10	M14 või 5/8" (sõltuvalt riigist)		
Määratud kiirus (n) / tühikäigu kiirus (n <sub>0</sub> )	11 000 min <sup>-1</sup>	11 000 min <sup>-1</sup>	11 000 min <sup>-1</sup>	9 000 min <sup>-1</sup>
Kogupikkus	303 mm	303 mm	303 mm	303 mm
Netomass	2,3 kg	2,4 kg	2,4 kg	2,5 kg
Kaitseklass	□/II			

- Meie jätkuva teadus- ja arendustegevuse programmi tõttu võidakse siin antud tehnilisi andmeid muuta ilma ette teatamata.
- Tehnilised andmed võivad olla riigiti erinevad.
- Kaal vastavalt EPTA protseduurile 01/2003

ENE048-1

### Kasutuse sihtotstarve

Tööriist on ette nähtud metallide ja kivimaterjali veeta käimiseks, lihvimiseks ja lõikamiseks.

ENF002-2

### Toiteallikas

Seadet võib ühendada ainult andmesildil näidatud pingele vastava pingega toiteallikaga ning seda saab kasutada ainult ühefaasilisel vahelduvvoolutoitel. Seadmel on kahekordne isolatsioon ning seega võib seda kasutada ka ilma maandusjuhtmeta pistikupesassa ühendatult.

ENG905-1

### Müra

Tüüplaine A-korrigeeritud müratase vastavalt EN60745:

#### Mudel GA4040, GA4540, GA5040

Helirõhu tase (L<sub>pA</sub>): 86 dB(A)  
Helisurve tase (L<sub>WA</sub>): 97 dB(A)  
Määramatus (K): 3 dB(A)

#### Mudel GA6040

Helirõhu tase (L<sub>pA</sub>): 87 dB(A)  
Helisurve tase (L<sub>WA</sub>): 98 dB(A)  
Määramatus (K): 3 dB(A)

### Kandke kõrvakaitsmeid

ENG900-1

### Vibratsioon

Vibratsiooni koguväärtus (kolmeteljeliste vektorite summa) määratud vastavalt EN60745:

#### Mudel GA4040

Töörežiim: pinna lihvimine tavalise külgläpide kasutamisega  
Vibratsiooni emissioon (a<sub>h,AG</sub>): 6,0 m/s<sup>2</sup>  
Määramatus (K): 1,5 m/s<sup>2</sup>

Töörežiim: pinna lihvimine vibratsioonikindla külgläpide kasutamisega  
Vibratsiooni emissioon (a<sub>h,AG</sub>): 5,5 m/s<sup>2</sup>  
Määramatus (K): 1,5 m/s<sup>2</sup>

Töörežiim: ketaslihvimine tavalise külgläpide kasutamisega  
Vibratsioonitase (a<sub>h,DS</sub>): 2,5 m/s<sup>2</sup> või vähem  
Määramatus (K): 1,5 m/s<sup>2</sup>

Töörežiim: ketaslihvimine vibratsioonikindla külgkäepideme kasutamisega  
Vibratsioonitase ( $a_{h,DS}$ ): 2,5 m/s<sup>2</sup> või vähem  
Määramatus (K) : 1,5m/s<sup>2</sup>

#### Mudel GA4540

Töörežiim: pinna lihvimine tavalise külgkäepideme kasutamisega  
Vibratsiooni emissioon ( $a_{h,AG}$ ): 6,5 m/s<sup>2</sup>  
Määramatus (K): 1,5 m/s<sup>2</sup>

Töörežiim: pinna lihvimine vibratsioonikindla külgkäepideme kasutamisega  
Vibratsiooni emissioon ( $a_{h,AG}$ ): 6,0 m/s<sup>2</sup>  
Määramatus (K): 1,5 m/s<sup>2</sup>

Töörežiim: ketaslihvimine tavalise külgkäepideme kasutamisega  
Vibratsioonitase ( $a_{h,DS}$ ): 2,5 m/s<sup>2</sup> või vähem  
Määramatus (K) : 1,5m/s<sup>2</sup>

Töörežiim: ketaslihvimine vibratsioonikindla külgkäepideme kasutamisega  
Vibratsioonitase ( $a_{h,DS}$ ): 2,5 m/s<sup>2</sup> või vähem  
Määramatus (K) : 1,5m/s<sup>2</sup>

#### Mudel GA5040, GA6040

Töörežiim: pinna lihvimine tavalise külgkäepideme kasutamisega  
Vibratsiooni emissioon ( $a_{h,AG}$ ): 7,0 m/s<sup>2</sup>  
Määramatus (K): 1,5 m/s<sup>2</sup>

Töörežiim: pinna lihvimine vibratsioonikindla külgkäepideme kasutamisega  
Vibratsiooni emissioon ( $a_{h,AG}$ ): 6,0 m/s<sup>2</sup>  
Määramatus (K): 1,5 m/s<sup>2</sup>

Töörežiim: ketaslihvimine tavalise külgkäepideme kasutamisega  
Vibratsioonitase ( $a_{h,DS}$ ): 2,5 m/s<sup>2</sup> või vähem  
Määramatus (K) : 1,5m/s<sup>2</sup>

Töörežiim: ketaslihvimine vibratsioonikindla külgkäepideme kasutamisega  
Vibratsioonitase ( $a_{h,DS}$ ): 2,5 m/s<sup>2</sup> või vähem  
Määramatus (K) : 1,5m/s<sup>2</sup>

ENG902-1

- Deklareeritud vibratsiooniemissiooni väärtus on mõõdetud koosõlas standardse testimismetodiga ning seda võib kasutada ühe seadme võrdlemiseks teisega.
- Deklareeritud vibratsiooniemissiooni väärtust võib kasutada ka mürataseme esmaseks hindamiseks.
- Deklareeritud vibratsiooni emissiooni väärtust kasutatakse lähtuvalt elektritööriista peamisest otstarbest. Kui tööriista kasutatakse muul otstarbel, võib vibratsiooni emissiooni väärtus olla erinev.

#### △HOIATUS:

- Vibratsioonitase võib elektritööriista tegelikkuses kasutamise ajal erineda deklareeritud väärtusest sõltuvalt tööriista kasutamise viisidest.
- Rakendage kindlasti operaatori kaitsmiseks piisavaid ohutusabinõusid, mis põhinevad hinnangulisel müratasemel tegelikus tööolukorras (võttes arvesse tööperioodi kõik osad nagu näiteks korrad, mil seade lülitatakse välja ja mil seade töötab tühikäigul, lisaks tööajale).

ENH101-16

#### Ainult Euroopa riigid

#### EÜ vastavusdeklaratsioon

#### Makita korporatsiooni vastutava tootjana kinnitame, et alljärgnev(ad) Makita masin(ad):

masina tähistus:

Nurklihvikäi

udel nr./tüüp: GA4040, GA4540, GA5040, GA6040

on seeriatoodang ja

#### Vastavad alljärgnevatele Euroopa Parlamendi ja nõukogu direktiividele:

2006/42/EC

Ning on toodetud vastavalt alljärgnevatele standarditele või standardiseeritud dokumentidele:

EN60745

Tehnilist dokumentatsiooni hoitakse ettevõttes:

Makita International Europe Ltd.

Technical Department,

Michigan Drive, Tongwell,

Milton Keynes, Bucks MK15 8JD, Inglismaa

17.8.2011



000230

Tomoyasu Kato

Direktor

Makita Corporation

3-11-8, Sumiyoshi-cho,

Anjo, Aichi, 446-8502, JAAPAN

GEA010-1

## Üldised elektritööriistade ohutushoiatused

△ HOIATUS Lugege läbi kõik ohutushoiatused ja juhised. Hoiatuste ja juhiste mittejärgmine võib põhjustada elektrišokki, tulekahju ja/või tõsiselt vigastusi.

**Hoidke alles kõik hoiatused ja juhised edaspidisteks viideteks.**

## LIHVIA OHUTUSNÕUDED

Turvahoiatused Tavalised turvahoiatused lihvimiseks, poleerimiseks, terasharjamiseks või abrasiivseteks lõikeoperatsioonideks.

1. **See elektritööriist on mõeldud lihvimisseadme, poleerimisseadme, terasharja või lõiketööriistana kasutamiseks.** Lugege kõiki turvahoiatusi, juhiseid, illustratsioone ja spetsifikatsioone, mis selle elektritööriistaga kaasas on. Kõikidest allpool loetletud juhistest mitte kinnipidamine võib põhjustada elektrišoki, tulekahju ja/või tõsiseid vigastusi.
2. **Selle elektritööriistaga ei soovitata poleerida.** Tööd, mille jaoks elektritööriist ei ole tehtud, võivad olla ohtlikud ja põhjustada vigastusi.
3. **Ärge kasutage tarvikuid, mis pole tootja poolt selle tööriista jaoks spetsiaalselt välja töötatud.** Tarviku elektritööriistale kinnitamine võimalus ei taga veel selle ohutut tööd.
4. **Tarviku nimikiirus peab olema vähemalt võrdne elektritööriistale märgitud maksimaalse kiirusega.** Tarvikud, mis töötavad nimikiirusest suuremal kiirusel, võivad katki minna ja laiali lennata.
5. **Tarviku välisdiameeter ja paksus peavad vastama elektritööriista nimivõimsusele.** Ebasobiva suurusega tarvikud ei saa nõuetekohaselt kaitsta ega juhtida.
6. **Tarvikute keermeskinnitus peab vastama lihvmasinale võlli keermes suurusele.** Äärikutega kinnitatavate tarvikute korral peab tarviku võlliava sobima ääriku fikseeriva läbimõõduga. Kui tarviku mõõdud ei sobi elektritööriista kinnitusosade mõõtudega, ei püsi need tasakaalus, vibreerivad tugevalt ning võivad põhjustada kontrolli kaotust tööriista üle.
7. **Ärge kasutage vigast lisatarvikut.** Enne iga kasutust kontrollige, et lihvketasel ei oleks laaste ega mõrasid, et tugiketastel ei oleks mõrasid, rebendeid ega liigset kulumust, et terasharjade harjased ei oleks lahtised ega purunenud. Kui elektritööriist või lisatarvik kukub maha, kontrollige, et see ei oleks kahjustunud, või paigaldage kahjustusteta lisatarvik. Pärast lisatarviku kontrolli ja paigaldust minge koos kõrvalseisjatega pöörlevast lisatarvikust eemale ja käituge elektritööriista maksimaalsel koormusvabal kiirusel üheks minutiks. Kahjustatud lisatarvikud lähevad tavaliselt selle testi ajal katki.
8. **Kandke isikukaitsevahendeid. Olenevalt teostatavast tööst kandke näokaitset, ohutusprille või kaitseprille. Vajadusel kandke tolmu maski, kuulmiskaitsevahendeid, kindaid ja tööpõlle, mis suudab peatada väikesi hõõrduvaid või töödeldava detaili küljest**

- lendavaid osakesi.** Silmakaitsevahend peab suutma peatada erinevate tööprotsesside käigus tekkinud lendavaid osakesi. Tolmu mask või respiraator peavad suutma filtreerida töö käigus tekkinud osakesi. Pikaajaline viibimine tugeva müra käes võib põhjustada kuulmise halvenemist.
9. **Hoidke kõrvalseisjad tööalast turvalises kauguses. Kõik, kes sisenevad tööalasse, peavad kandma kaitsevarustust.** Töödeldava detaili või tarvikute osakesed võivad eemale lennata ja põhjustada vigastusi ka väljaspool vahetat tööala.
  10. **Hoidke elektritööriista isoleeritud haardepindadest, kui töötate kohas, kus lõiketera võib sattuda kokkupuutesse varjatud juhtmete või seadme enda toitejuhtmega.** Pingestatud juhtmega kokkupuutesse sattunud lõikeketas võib pingestada elektritööriista metalloosi, mille tagajärjel võib seadme kasutaja saada elektrilöögi.
  11. **Hoidke juhe pöörlevast tarvikust eemal.** Kontrolli kaotamisel võib juhe katkeda või kinni jääda, tõmmates käe või käsivarre pöörlevasse tarvikusse.
  12. **Ärge pange elektritööriista kunagi maha enne, kui tarviku liikumine pole täielikult peatunud.** Pöörlev tarvik võib pinnal liikumist jätkata, põhjustades elektritööriista väljumise teie kontrolli alt.
  13. **Lülitage elektritööriist välja, kui seda oma küljel kannate.** Juhuslik kokkupuude pöörleva tarvikuga võib põhjustada riie kinnijäämist ja tarviku teie kehasse tõmmata.
  14. **Puhastage elektritööriista õhuavasid regulaarselt.** Mootori ventilaator tõmbab tolmu korpusesse ja metallitolmu liigne kogunemine võib põhjustada elektrilöögi.
  15. **Ärge kasutage seadet tuleohtlike materjalide lähedal.** Need materjalid võivad sädemetest süttida.
  16. **Ärge kasutage tarvikuid, mis nõuavad jahutusvedelikke.** Vee või teiste vedelate jahutusvahendite kasutamine võib põhjustada surmava elektrilöögi või -šoki.

### Tagasilöökk ja sellega seotud hoiatused

Tagasilöökk on äkiline reaktsioon väändes või pörkuva pöördeketta, tugiketta, harja või muu lisatarviku puhul. Väändumine või pörkumine põhjustab kiiret pöörleva lisatarviku väärarutamist, mis omakorda sunnib ühenduspunkti juhitamatut elektritööriista pöörlema vastassuunas lisatarviku pöörlemise suunale.

Näiteks kui lihvketas pörkus või kiilus töödeldava detaili külge kinni, võib ketta serv, mis siseneb kinnikiilumise kohta, tungida materjalipinda, mis põhjustab ketta väljalikumise või väljalöögi. Ketas võib kas hüpata edasi või käitajast eemale, sõltuvalt ketta liikumissuunast kinnikiilumise kohas. Lihvkettad võivad neis tingimustes samuti puruneda.

Tagasilöök on tööriista väärkasutuse ja/või valede tööoperatsioonide või tingimuste tulemus, mida on võimalik vältida, järgides alljärgnevaid asjakohaseid ettevaatusabinõusid.

- a) **Hoidke elektritööriista kindlas haardes ja seadke oma keha ja käsivars asendisse, mis võimaldab tagasilöögiõule vastu seista. Kasutage alati abikäepidet, kui see on olemas, et tööriista käivitamisel tagasilöögi ja pöördemomendi vastumõju üle kontrolli saavutada.** Asjakohaste ettevaatusabinõude rakendamisel saab operaator tagasilöögi ja pöördemomendi vastumõju kontrollida.
- b) **Ärge pange kunagi oma kätt pöörleva tarviku lähedale.** Te võite tarvikult tagasilöögi saada.
- c) **Ärge viibige alas, kus elektritööriist võib tagasilöögi ajal liikuda.** Tagasilöök paneb tööriista pöörlema ketta liikumissuunale vastupidises suunas liikuma.
- d) **Tegutsege äärmise ettevaatlikkusega nurkade, teravate servadega jms töötamisel. Vältige tarviku tagasipõrkamist ja kinnijäämist.** Nurgad, teravad servad ja tagasipõrkamine on tavaliselt nendeks teguriteks, mis võivad põhjustada pöörleva tarviku kinnijäämist ja kontrolli kaotamist või tagasilööki.
- e) **Ärge kinnitage tööriista külge saeketi puunikerdustera ega hambulist saetera.** Niisugused terad tekitavad sageli tagasilööki ja juhitavuse kadu.

**Spetsiaalsed turvahoiatused lihvimiseks ja abrasiivseteks löikeoperatsioonideks.**

- a) **Kasutage vaid kettatüüpe, mida teie elektritööriistale soovitatakse, ja valitud kettale mõeldud spetsiaalset piiret.** Kettaid, mille jaoks elektritööriist ei olnud mõeldud, ei saa piisavalt kaitsta ja need ei ole turvalised.
- b) **Õhema keskosaga lihvketaste lihvipind peab jääma kaitsepiirde tasapinnast allapoole.** Kui ketas on valesti paigaldatud ja ulatub kaitsepiirde tasapinnast välja, ei ole võimalik seda piisavalt kaitsta.
- c) **Piire peab olema kindlalt elektritööriista külge kinnitatud ja maksimaalselt turvaliselt paigutatud, nii et käitaja poole jääks kõige väiksem katmata kettapinna osa.** Piire aitab käitajat kaitsta purunenud kettatükkide, kettaga juhuslikku kokkupuutesse sattumise ja rõivaid süüdata võivate sädemete eest.
- d) **Kettaid tohib kasutada ainult töödel, milleks need on ette nähtud. Näiteks: ärge kasutage löikeketta külge lihvimiseks.** Abrasiivsed löikekettad on ette nähtud välislihvimiseks, neile ketastele rakendatud külgjõud võib need purustada.
- e) **Kasutage ainult terveid kettaäärikuid, mis on valitud ketta jaoks sobiva suuruse ja kujuga.** Sobivad kettaäärikud toestavad ketast,

vähendades ketta purunemise ohtu. Lõikeketaste äärikud võivad lihvketaste ääriketest erineda.

f) **Ärge kasutage suuremate elektritööriistade kulunud kettaid.** Suurema elektritööriista jaoks tehtud ketas ei sobi väiksema tööriista suurema kiirusega ja võib puruneda.

**Lisanduvad turvahoiatused abrasiivseteks löikeoperatsioonideks.**

- a) **Ärge „kiiluge“ löikeketast ega rakendage liigset survet. Ärge püüdke teha ülemäärase sügavusega löiget.** Ketta ülesurveastamine suurendab koormust ja ketta väände või ühenduse tundlikkust löikes ning tagasilöögi võimalust või ketta purunemist.
- b) **Ärge minge oma kehaga pöörleva kettaga ühele joonele ega selle taha.** Kui ketas liigub käituse ajal teie kehast eemale, võib tõenäoline tagasilöök pöördketast ja elektritööriista otse teie suunas liigutada.
- c) **Kui ketas on kinni pigistatud või segab mingil põhjusel löikamist, lülitage elektritööriist välja ja hoidke seda liikumatult, kuni ketas peatub täielikult. Ärge kunagi püüdke eemaldada löikeketast löikest, kui ketas liigub, vastasel juhul võib esineda tagasilöök.** Uurige ja tehke parandused ketta kinnikiilumise põhjuse eemaldamiseks.
- d) **Ärge taaskäivitage tööriista töödeldavas detailsis.** Laske kettal jõuda täiskiirusele ja sisenege hoolikalt uuesti löikesse. Kui elektritööriist taaskäivitatakse töödeldavas detailsis, võib ketas kinni kiiluda, üles liikuda või tagasi pörkuda.
- e) **Lõiketera kinnikiilumise ja tagasilöögi riski minimeerimiseks toestage paneelid või suuremõõtmeline detail.** Suured detailid hakkavad painduma omaeene raskuse all. Toed tuleb paigutada töödeldava detaili alla löikejoone lähedale ja tooriku serva lähedale ketta mõlemal küljel.
- f) **Olge eriti ettevaatlik, kui teete „sukelduslöikamist“ olemasolevates seintes või muudes varjatud piirkondades.** Väljaulatav lõiketera võib lõikuda gaasi- või veetorudesse, elektrijuhtmetesse või esemetesse, ning põhjustada tagasilöögi.

**Poleerimistööde turvahoiatused.**

- a) **Ärge kasutage liiga suurtes mõõtmetes lihvketta paberit.** Lihvpaberi valikul järgige tootja soovitusi. Lihvklotsist kaugemale ulatuv suurem lihvpaper on rebenemisohtlik ja võib põhjustada ketta kinnijäämist, purunemist või tagasilööki.

**Terasharjamise operatsioonide turvahoiatused.**

- a) **Olge teadlikud, et hari viskab traatharjaseid ka tavakäituse ajal. Ärge avaldage terastraatidele liigset pinget harjale liigse koormuse rakendamisega.** Terasharjased võivad lihtsalt kergesse rõivastusse ja/või nahka tungida.

b) Kui terasharjamil soovitatakse kasutada piiret, ärge laske teraskettal ega -harjal piirdega kokku puutuda. Terasketas või -hari võib laieneda läbimõeldult töökoormuse ja tsentrifugaaljõu tõttu.

#### Lisaturvahoiatused:

17. Kui kasutate nõgusa keskosaga lihvkettaid, veenduge, et kasutate ainult klaaskiuga tugevdatud kettad.
18. ÄRGE KUNAGI kasutage selle lihvijaga koos kauslihvkettaid. Seda lihvijat ei kasutata koos nimetatud ketastega, sest need võivad põhjustada tõsise kehavigastuse.
19. Ärge vigastage völli, äärikut (eriti selle paigalduspinda) ega fiksaatormutrit. Nende osade kahjustused võivad ketta purustada.
20. Veenduge, et lihvketas ei puutuks enne tööriista sisselülitamist vastu töödeldavat detaili.
21. Enne tööriista kasutamist töödeldaval detailil laske sellel mõnda aega töötada. Jälgige vibratsiooni või vibamist, mis võib tähendada ebaõiget paigaldust või halvasti tasakaalustatud ketast.
22. Lihvimist teostage selleks ettenähtud kettapinna osaga.
23. Ärge jätke tööriista käima. Käivitage tööriist ainult siis, kui hoiate seda käes.
24. Ärge puutuge töödeldavat detaili vahetult peale töötlemist; see võib olla väga kuum ja põhjustada põletushaavu.
25. Ketta õigeks paigaldamiseks ja kasutamiseks järgige valmistajapoolseid juhendeid. Käsitsege ja ladustage kettaid hoolikalt.
26. Ärge kasutage suureauguliste lihvketaste kinnitamiseks sobituspukse või adaptereid.
27. Kasutage ainult äärikuid, mis on mõeldud kasutamiseks koos antud tööriistaga.
28. Tööriistade korral, kus kasutatakse keermetatud auguga kettaid, jälgige, et ketta keeme pikkus oleks piisav völliile kinnitamiseks.
29. Kontrollige, kas töödeldav detail on korralikult kinnitatud.
30. Pöörake tähelepanu asjaolule, et ketas jätkab pöörlemist ka peale tööriista väljalülitamist.
31. Kui töökoht on äärmiselt kuum ja niiske või tugevalt saastatud elektrit juhtiva tolmuaga, siis tuleb operaatori ohutuse tagamiseks kasutada lühisvoolukaitset (30 mA).
32. Ärge kasutage tööriista asbesti sisaldavate materjalide töötlemiseks.
33. Kui töötate löikekettaga, siis kasutage alati tolmueemaldusega ketta kaitset, mis vastab kohalikele eeskirjadele.
34. Löikekettaid ei tohi külgsuunas suruda.

## HOIDKE JUHEND ALLES.

### △HOIATUS:

ÄRGE laske mugavusel või toote kasutamisharjumustel (mis on saadud korduva kasutuse jooksul) asendada vankumatut toote ohutuseeskirjade järgimist. VALE KASUTUS või käesoleva kasutusjuhendi ohutusnõuete eiramine võib põhjustada tõsiseid vigastusi.

## FUNKTSIONAALNE KIRJELDUS

### △HOIATUS:

- Kandke alati hoolt selle eest, et tööriist oleks enne reguleerimist ja kontrollimist välja lülitatud ja vooluvõrgust lahti ühendatud.

### Võllilukk

#### Joon.1

### △HOIATUS:

- Ärge kasutage kunagi võllilukku ajal, mil völli veel liigub. See võib tööriista kahjustada.

Völli pöörlemise takistamiseks vajutage võllilukku alati, kui paigaldate või eemaldate tarvikuid.

### Lüliti funktsioneerimine

#### Joon.2

### △HOIATUS:

- Enne tööriista vooluvõrku ühendamist kontrollige alati, kas liugurlüliti funktsioneerib nõuetekohaselt ja liigub liugurlüliti tagumise osa lahtilaskmisel tagasi asendisse „OFF”.
- Pikemaajalisel kasutamisel saab lüliti operaatori mugavuse huvides lukustada sisselülitatud asendisse. Tööriista lukustamisel sisselülitatud asendisse olge ettevaatlik ja hoidke tööriista kindlas haardes.

Tööriista käivitamiseks libistage liugurlüliti asendi „I (ON)” (sisse lülitatud) suunas, lükates liugurlüliti tagaosa. Pidevaks töötamiseks vajutage liugurlüliti hoova eesosa selle lukustamiseks.

Tööriista seiskamiseks vajutage liugurlüliti tagaosa ja seejärel liigutage seda „O (OFF)” (väljas) asendi suunas.

## KOKKUPANEK

### △HOIATUS:

- Kandke alati enne tööriistal mingite tööde teostamist hoolt selle eest, et see oleks välja lülitatud ja vooluvõrgust lahti ühendatud.

### Külgkäepideme (käepide) paigaldamine

#### Joon.3

### △HOIATUS:

- Enne tööd kontrollige alati, kas külgkäepide on kindlalt paigaldatud.

Kruvige külgkäepide kindlalt oma kohale nii, nagu joonisel näidatud.

## **Kettakaitse (nõgusa keskosaga kettale, lamellkettale, painduvale kettale, ketastraatharjale, lihvketale, teemantkettale) paigaldamine või eemaldamine**

### **△HOIATUS:**

- Kui kasutate nõgusa keskosaga ketast, lamellketast, painduvat ketast või ketastraatharja, tuleb kettakaitse paigaldada tööriista külge nii, et kaitsme kinnine külg jääks alati operaatori poole.
- Kui kasutate lihvimis-/teemantketast, siis kasutage kindlasti ainult spetsiaalset kettakaitset, mis on loodud kasutamiseks lõikeketastega. (Mõnes Euroopa riigis võib teemantketta puhul kasutada tavalist kettakaitset. Järgige oma riigis kehtivaid eeskirju.)

### **Lukustuskruvi tüüpi kettapiirdega tööriista kohta**

#### **Joon.4**

Paigaldage kettakaitse selliselt, et kettakaitsme klambri eendid oleksid laagriümbrise sälkudega kohakuti. Seejärel pöörake kettakaitset 180 ° vastupäeva. Pärast paigaldust pingutage kindlasti kruvi hoolikalt. Kettapiirde eemaldamiseks, järgige paigaldamise protseduuri vastupidises järjekorras.

### **Klamberhoova tüüpi kettapiirdega tööriista kohta**

#### **Joon.5**

Tõmmake hooba pärast kruvi lõdvendamist noole suunas. Paigaldage kettakaitse selliselt, et kettakaitsme klambri eendid oleksid laagriümbrise sälkudega kohakuti. Seejärel pöörake kettakaitset 180 °.

#### **Joon.6**

Pingutage kettakaitset koos kruvi kinnitamisega pärast hoova tõmbamist noole suunas. Kettakaitsme seadistusnurka saab hoova abil reguleerida. Kettapiirde eemaldamiseks, järgige paigaldamise protseduuri vastupidises järjekorras.

## **Nõgusa keskosaga ketta või lamellketta (lisavarustus) paigaldamine või eemaldamine**

### **△HOIATUS:**

- Kui kasutate nõgusa keskosaga ketast või lamellketast, tuleb kettakaitse paigaldada tööriista külge nii, et kaitsme kinnine külg jääks alati operaatori poole.

#### **Joon.7**

Paigaldage sisemine flanš võllile. Sobitage ketas sisemisele flanšile ja keerake fiksaatormutter võllile.

#### **Joon.8**

Fiksaatormutri pingutamiseks suruge tugevalt võlli lukustusnuppu nii, et võll ei saaks pöörelda ning pingutage fiksaatormutrit fiksaatormutri jaoks ettenähtud võtmega päripäeva.

Ketta eemaldamiseks, järgige paigaldamise protseduuri vastupidises järjekorras.

## **Superäärik (lisavarustus)**

Tähega „F“ märgistatud mudelitel on superäärik standardvarustuses. Võrreldes tavalist tüüpi mutritega vajate fiksaatormutri avamisel kolm korda vähem jõudu.

## **Ezynuti (täiendav lisavarustus) paigaldamine või eemaldamine**

### **△HOIATUS:**

- Ärge kasutage Ezynuti koos superääriku või Makita nurklihvijaga, millel on mudelinumbri lõpus „F“. Need äärikud on väga paksud ja kogu keere ei kinnitu võllile.

#### **Joon.9**

Paigaldage siseäärik, lihvketas ja Ezynut võllile nii, et Makita logo jääks Ezynutil väljapoole.

#### **Joon.10**

Vajutage tugevasti võllilukule ja kinnitage Ezynut, keerates lihvketast päripäeva lõpuni. Avamiseks pöörake Ezynuti välisrõngast vastupäeva.

#### **Joon.11**

#### **Joon.12**

### **MÄRKUS:**

- Ezynuti saab avada käsitsi siis, kui nool osutab sälgule. Vastasel korral kasutage avamiseks mutrivõtit. Sisestage mutrivõtme üks sõrm avasse ja pöörake Ezynuti vastupäeva.

## **Painduva ketta (lisavarustus) paigaldamine ja eemaldamine**

### **△HOIATUS:**

- Kasutage alati kaasasolevat kaitset, kui tööriistal on painduv ketas. Töötamise ajal võib ketas kildudeks puruneda ja kaitse aitab vähendada kehavigastuse esinemise võimalust.

#### **Joon.13**

Järgige nõgusa keskosaga ketta juhiseid, kuid kasutage kettal ka plastist tugiketast. Vaadake monteerimise järjekorda käesoleva kasutusjuhendi tarvikute leheküljelt.

## **Lihvketta (täiendav lisavarustus) paigaldamine või eemaldamine**

### **MÄRKUS:**

- Kasutage käesolevas kasutusjuhendis nimetatud lihvtarvikuid. Need tuleb osta eraldi.

#### **Joon.14**

Paigaldage kummist tugiketast võllile. Sobitage ketas kummist tugikettale ja keerake lihvimise fiksaatormutter võllile. Lihvimise fiksaatormutri pingutamiseks suruge tugevalt võlli lukustusnuppu nii, et võll ei saaks pöörelda ning pingutage fiksaatormutrit fiksaatormutri jaoks ettenähtud võtmega päripäeva.

Ketta eemaldamiseks järgige paigaldamise protseduuri vastupidises järjekorras.

## Tolmukatte mooduli (lisatarvik) paigaldamine või eemaldamine

### ⚠️ HOIATUS:

- Enne tolmu- ja niiskustolmukatte mooduli paigaldamist või eemaldamist veenduge alati, et tööriist on välja lülitatud ja vooluvõrgust lahti ühendatud. Selle nõude eiramine võib põhjustada tööriista kahjustuse või kehavigastuse.

Tolmukatte mooduleid on nelja tüüpi, neid kõiki kasutatakse erinevates asendites.

### Joon.15

Seadke tolmu- ja niiskustolmukatte moodul niimoodi, et märgistus (A, B, C või D) asetseks joonisel näidatud viisil. Kinnitage selle tihvtid plöksatades õhuavadesse.

Tolmukatte moodulit saab eemaldada käega.

### MÄRKUS:

- Puhastage tolmu- ja niiskustolmukatte moodul, kui see on tolmu või võõrkehadega ummistunud. Ummistunud tolmu- ja niiskustolmukatte mooduliga töö jätkamine kahjustab tööriista.

## TÖÖRIISTA KASUTAMINE

### ⚠️ HOIATUS:

- Ärge kasutage tööriista suhtes kunagi jõudu. Tööriista enda raskus annab piisava surve. Ülemäärane surumine ja surve võivad põhjustada ohtliku ketta purunemise.
- Vahetage ALATI ketas välja siis, kui tööriist on käiaamise ajal maha kukkunud.
- ÄRGE KUNAGI käiaketast lööge vastu töödeldavat detaili.
- Vältige ketta kinikiilumist ja põrkumist vastu töödeldavat pinda, eriti siis, kui töötate nurkades ja teravate servadega jne. See võib põhjustada ohtlike tagasilööke.
- Ärge kasutage tööriista puude saagimise saelehtedega ega muude saelehtedega. Selliste saelehtede kasutamisel lihvijaga need annavad sageli tagasilöögi ja toovad endaga kaasa kontrolli kadumise, mis viib vigastuste tekkimiseni.

### ⚠️ HOIATUS:

- Ärge kunagi käivitage tööriista, mis on kontaktis töödeldava pinna või detailiga, see võib kaasa tuua ohtlike vigastusi.
- Kandke töö juures alati kaitseprille või näokatet.
- Pärast tööd lülitage tööriist alati välja ja oodake kuni ketas on täielikult seiskunud enne, kui tööriista käest panete.

## Käiaamise ja lihvimise režiim

### Joon.16

Hoidke tööriista ALATI kindlalt ühe käega korpusest ja teisega külgekäepidemest. Lülitage tööriist sisse ja seejärel asetage ketas töödeldavale detailile.

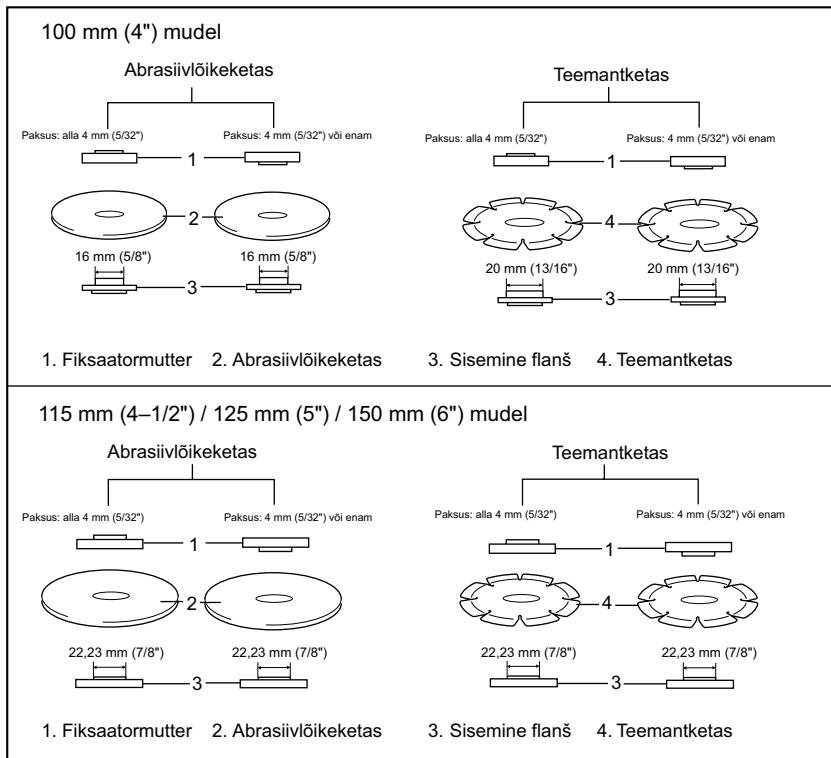
Üldiselt hoidke ketta serva umbes 15 ° nurga all töödeldava detaili pinna suhtes.

Uue ketta sissetöötamise perioodil ärge töötage lihvijaga B suunas, sest vastasel juhul hakkab see töödeldavas detaili sisse lõikama. Kui ketta serv on töö käigus ümardunud, võib kettast kasutada mõlemas, nii A kui ka B suunas.

## Lihvketta/teemantketta (täiendav lisavarustus) käitamine

### Joon.17

Kontramutri ja sisemise flanši paigaldussuund sõltub ketta paksusest. Täpsemad andmed leiata alltoodud tabelist.



012746

### ⚠ HOIATUS:

- Kui kasutate lihvimis-/teemantkettast, siis kasutage kindlasti ainult spetsiaalset kettakaitset, mis on loodud kasutamiseks lõikekettastega. (Mõnes Euroopa riigis võib teemantkettat puhul kasutada tavalist kettakaitset. Järgige oma riigis kehtivaid eeskirju.)
- ÄRGE KUNAGI kasutage lõikekettast külglihvimiseks.
- Ärge „kiiluge“ lõikekettast ega rakendage liigset survet. Ärge püüdke teha ülemäärase sügavusega lõiget. Ketta ülesurvestamine suurendab koormust ja ketta väände või ühenduse tundlikkust lõikes ning tagasilöögi võimalust või ketta purunemist.

- Ärge käivitage töödeldava detaili lõikeoperatsiooni. Laske kettal jõuda täiskiirusele ja sisenege hoolikalt lõikesse, liigutades tööriista üle töödeldava detaili pinna. Kui elektritööriist käivitatakse töödeldavas detailis, võib kettas võib kinni kiiluda, üles liikuda või tagasi pörkuda.
- Lõikeoperatsiooni käigus ärge muutke kunagi ketta nurka. Lõikekettastele külgsurve rakendamine (nagu lihvimisel) põhjustab ketta mõranemise ja purunemise, mis võib kaasa tuua tõsiseid vigastusi.
- Teemantkettast tuleb kasutada lõigatava materjali suhtes ristloodis.



## **Traatidega kaussharja (täiendav lisavarustus) käitamine**

### **⚠HOIATUS:**

- Kontrollige harja tööd, lastes tööriistal tühjalt käia ja kandes hoolt, et keegi ei asuks harja ees või sellega ühel joonel.
- Ärge kasutage kahjustatud või balansseerimata harja. Kahjustatud harja kasutamine võib suurendada harja katkiste terasharjaste põhjustatud vigastusohu.

### **Joon.18**

Tömmake tööriist vooluvõrgust välja ja asetage see tagurpidi, et pääseksite võllile kergesti ligi. Eemaldage võllilt kõik tarvikud. Paigaldage terashari võllile ja keerake kaasasoleva mutrivõtmega kinni. Vältige harja kasutamisel liigse jõu rakendamist, sest see võib painutada harjaseid ja põhjustada seeläbi enneaegset kulumist.

## **Ketastraatharja (täiendav lisavarustus) käitamine**

### **⚠HOIATUS:**

- Kontrollige ketastraatharja tööd, lastes tööriistal tühjalt käia ja kandes hoolt, et keegi ei asuks ketastraatharja ees või sellega ühel joonel.
- Ärge kasutage kahjustatud või balansseerimata ketastraatharja. Kahjustatud ketastraatharja kasutamine võib suurendada harja katkiste harjaste põhjustatud vigastusohu.
- Kasutage ketastraatharjadega töötamisel ALATI kaitset, valides ketta diameetritele sobiva suuruse. Kui ketas peaks töötamisel tükkideks purunema, aitab kaitse vigastusi vältida.

### **Joon.19**

Tömmake tööriist vooluvõrgust välja ja asetage tagurpidi, et pääseksite võllile kergesti ligi. Eemaldage võllilt kõik tarvikud. Keerake ketastraathari võllile ja kinnitage mutrivõtmega.

Vältige harja kasutamisel liigse jõu rakendamist, sest see võib painutada harjaseid ja põhjustada seeläbi enneaegset kulumist.

## **HOOLDUS**

### **⚠HOIATUS:**

- Kandke alati enne kontrolli- või hooldustoimingute teostamist hoolt selle eest, et tööriist oleks välja lülitatud ja vooluvõrgust lahti ühendatud.
- Ärge kunagi kasutage bensiini, vedeldit, alkoholi ega midagi muud sarnast. Selle tulemuseks võib olla luitumine, deformatsioon või pragunemine.

### **Joon.20**

Tööriist ja selle ventilatsioonivad peavad olema puhtad. Puhastage tööriista ventilatsioonivasid regulaarselt või siis, kui need hakkavad ummistuma.

Toote OHUTUSE ja TÕÕKINDLUSE säilimiseks tuleb vajalikud remonttööd, süsiharja kontrollimine ja väljavahetamine ning muud hooldus- ja reguleerimistööd lasta teha Makita volitatud teeninduskeskustes. Alati tuleb kasutada Makita varuosi.

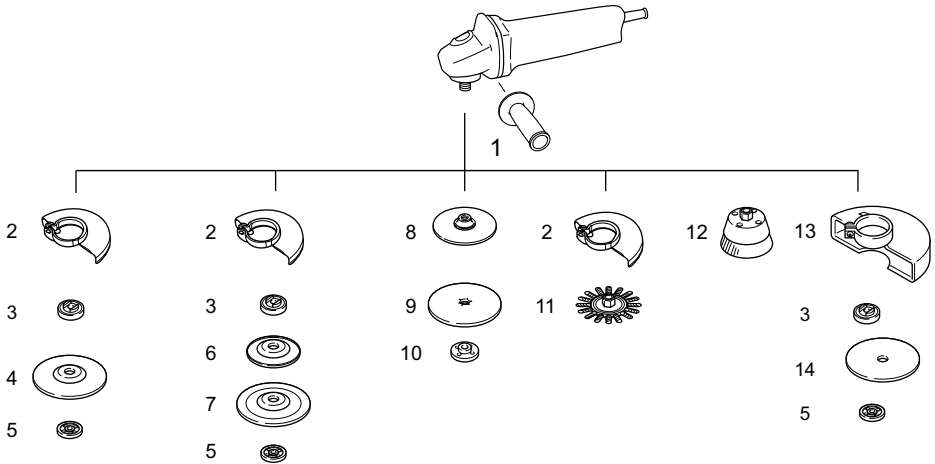
## **VALIKULISED TARVIKUD**

### **⚠HOIATUS:**

- Neid tarvikuid ja lisaseadiseid on soovitatav kasutada koos Makita tööriistaga, mille kasutamist selles kasutusjuhendis kirjeldatakse. Muude tarvikute ja lisaseadiste kasutamisega kaasneb vigastada saamise oht. Kasutage tarvikuid ja lisaseadiseid ainult otstarvetel, milleks need on ette nähtud.

Saate vajadusel kohalikust Makita teeninduskeskusest lisateavet nende tarvikute kohta.

- Tolmukatte kinnitus



	100 mm (4") mudel	115 mm (4-1/2") mudel	125 mm (5") mudel	150 mm (6") mudel
1	Käepide 36			
2	Kettakaitse (lihvketale)			
3	Sisemine flanš	Sisemine flanš Superflanš	Sisemine flanš Superflanš	Sisemine flanš Superflanš
4	Lohkus keskosaga ketas/lamellketas			
5	Fiksaatormutter	Fiksaatormutter Ezynut *1	Fiksaatormutter Ezynut *1	Fiksaatormutter Ezynut *1
6	Plastikust ketas	Plastikust ketas	Plastikust ketas	-
7	Painduv ketas	Painduv ketas	Painduv ketas	-
8	Kummist tugiketas nr 76	Kummist tugiketas nr 100	Kummist tugiketas nr 115	Kummist tugiketas nr 125
9	Lihvketas			
10	Lihvimisketta kontramutter			
11	Ketastraathari			
12	Traatidega kausshari			
13	Kettakaitse (löikekettale) *2			
14	Lihvketas/teemantketas			
-	Fiksaatormutri võti			

Märkus:

\*1 Ärge kasutage koos superäärikut ja Ezynuti.

\*2 Mõnes Euroopa riigis võib teemantketta puhul kasutada spetsiaalse, mõlemat ketta külge katva kettakaitse asemel tavalist kettakaitset. Järgige oma riigis kehtivaid eeskirju.

013732

**MÄRKUS:**

- Mõned nimekirjas loetletud tarvikud võivad kuuluda standardvarustusse ning need on lisatud tööriista pakendisse. Need võivad riikide lõikes erineda.

## РУССКИЙ ЯЗЫК (Исходная инструкция)

### Объяснения общего плана

1-1. Замок вала	9-1. Гайка Ezynut	15-3. Метка С
2-1. Ползунковый переключатель	9-2. Абразивный диск	15-4. Метка D
4-1. Ограждение диска	9-3. Внутренний фланец	17-1. Стопорная гайка
4-2. Узел подшипника	9-4. Шпindelь	17-2. Абразивный отрезной круг/алмазный круг
4-3. Винт	10-1. Замок вала	17-3. Внутренний фланец
5-1. Ограждение диска	11-1. Стрелка	17-4. Защитный кожух для абразивного отрезного круга/алмазного круга
5-2. Узел подшипника	11-2. Выемка	18-1. Крышка с проводом щетки
5-3. Винт	13-1. Стопорная гайка	19-1. Дисксовая проволочная щетка
5-4. Рычаг	13-2. Гибкий диск	20-1. Вытяжное отверстие
6-1. Винт	13-3. Пластмассовая подушка	20-2. Впускное вентиляционное отверстие
6-2. Рычаг	13-4. Внутренний фланец	
7-1. Стопорная гайка	14-1. Шлифовальная стопорная гайка	
7-2. Диск с вогнутым центром	14-2. Абразивный диск	
7-3. Внутренний фланец	14-3. Резиновая подушка	
8-1. Ключ стопорной гайки	15-1. Метка А	
8-2. Замок вала	15-2. Метка В	

## ТЕХНИЧЕСКИЕ ХАРАКТЕРИСТИКИ

Модель	GA4040	GA4540	GA5040	GA6040
Диаметр диска	100 мм (4")	115 мм (4-1/2")	125 мм (5")	150 мм (6")
Макс. толщина круга	6,4 мм			
Резьба шпindelя	M10	M14 или 5/8" (зависит от страны)		
Номинальное число оборотов (n) / Число оборотов без нагрузки (n <sub>0</sub> )	11 000 мин <sup>-1</sup>	11 000 мин <sup>-1</sup>	11 000 мин <sup>-1</sup>	9 000 мин <sup>-1</sup>
Общая длина	303 мм	303 мм	303 мм	303 мм
Вес нетто	2,3 кг	2,4 кг	2,4 кг	2,5 кг
Класс безопасности	II/II			

- Благодаря нашей постоянно действующей программе исследований и разработок, указанные здесь технические характеристики могут быть изменены без предварительного уведомления.
- Технические характеристики могут различаться в зависимости от страны.
- Масса в соответствии с процедурой EPTA 01/2003

ENE048-1

### Назначение

Инструмент предназначен для шлифовки, зачистки и резки материалов из металла и камня без использования воды.

ENF002-2

### Питание

Подключайте данный инструмент только к тому источнику питания, напряжение которого соответствует напряжению, указанному на паспортной табличке. Инструмент предназначен для работы от источника однофазного переменного тока. Они имеют двойную изоляцию и поэтому может подключаться к розеткам без заземления.

ENG905-1

### Шум

Типичный уровень взвешенного звукового давления (A), измеренный в соответствии с EN60745:

### Модель GA4040, GA4540, GA5040

Уровень звукового давления (L<sub>PA</sub>): 86 дБ (A)  
Уровень звуковой мощности (L<sub>WA</sub>): 97 дБ (A)  
Погрешность (K): 3 дБ (A)

### Модель GA6040

Уровень звукового давления (L<sub>PA</sub>): 87 дБ (A)  
Уровень звуковой мощности (L<sub>WA</sub>): 98 дБ (A)  
Погрешность (K): 3 дБ (A)

### Используйте средства защиты слуха

ENG900-1

### Вибрация

Суммарное значение вибрации (сумма векторов по трем осям) определяется по следующим параметрам EN60745:

### Модель GA4040

Рабочий режим: шлифование поверхности с обычной боковой рукояткой  
Распространение вибрации ( $a_{h,AG}$ ): 6,0 м/с<sup>2</sup>  
Погрешность (K): 1,5 м/с<sup>2</sup>

Рабочий режим: шлифование поверхности с противовибрационной рукояткой  
Распространение вибрации ( $a_{h,AG}$ ): 5,5 м/с<sup>2</sup>  
Погрешность (K): 1,5 м/с<sup>2</sup>

Рабочий режим: шлифование с использованием обычной боковой рукоятки  
Распространение вибрации ( $a_{h,DS}$ ): 2,5 м/с<sup>2</sup> или менее  
Погрешность (K): 1,5 м/с<sup>2</sup>

Рабочий режим: шлифование с использованием противовибрационной боковой рукоятки  
Распространение вибрации ( $a_{h,DS}$ ): 2,5 м/с<sup>2</sup> или менее  
Погрешность (K): 1,5 м/с<sup>2</sup>

### Модель GA4540

Рабочий режим: шлифование поверхности с обычной боковой рукояткой  
Распространение вибрации ( $a_{h,AG}$ ): 6,5 м/с<sup>2</sup>  
Погрешность (K): 1,5 м/с<sup>2</sup>

Рабочий режим: шлифование поверхности с противовибрационной рукояткой  
Распространение вибрации ( $a_{h,AG}$ ): 6,0 м/с<sup>2</sup>  
Погрешность (K): 1,5 м/с<sup>2</sup>

Рабочий режим: шлифование с использованием обычной боковой рукоятки  
Распространение вибрации ( $a_{h,DS}$ ): 2,5 м/с<sup>2</sup> или менее  
Погрешность (K): 1,5 м/с<sup>2</sup>

Рабочий режим: шлифование с использованием противовибрационной боковой рукоятки  
Распространение вибрации ( $a_{h,DS}$ ): 2,5 м/с<sup>2</sup> или менее  
Погрешность (K): 1,5 м/с<sup>2</sup>

### Модель GA5040, GA6040

Рабочий режим: шлифование поверхности с обычной боковой рукояткой  
Распространение вибрации ( $a_{h,AG}$ ): 7,0 м/с<sup>2</sup>  
Погрешность (K): 1,5 м/с<sup>2</sup>

Рабочий режим: шлифование поверхности с противовибрационной рукояткой  
Распространение вибрации ( $a_{h,AG}$ ): 6,0 м/с<sup>2</sup>  
Погрешность (K): 1,5 м/с<sup>2</sup>

Рабочий режим: шлифование с использованием обычной боковой рукоятки  
Распространение вибрации ( $a_{h,DS}$ ): 2,5 м/с<sup>2</sup> или менее  
Погрешность (K): 1,5 м/с<sup>2</sup>

Рабочий режим: шлифование с использованием противовибрационной боковой рукоятки  
Распространение вибрации ( $a_{h,DS}$ ): 2,5 м/с<sup>2</sup> или менее  
Погрешность (K): 1,5 м/с<sup>2</sup>

ENG902-1

- Заявленное значение распространения вибрации измерено в соответствии со стандартной методикой испытаний и может быть использовано для сравнения инструментов.
- Заявленное значение распространения вибрации можно также использовать для предварительных оценок воздействия.
- Заявленное значение распространения вибрации относится к основным операциям, выполняемым с помощью электроинструмента. Однако если электроинструмент используется для других целей, уровень вибрации может отличаться.

### **⚠ ПРЕДУПРЕЖДЕНИ:**

- Распространение вибрации во время фактического использования электроинструмента может отличаться от заявленного значения в зависимости способа применения инструмента.
- Обязательно определите меры безопасности для защиты оператора, основанные на оценке воздействия в реальных условиях использования (с учетом всех этапов рабочего цикла, таких как выключение инструмента, работа без нагрузки и включение).

ENH101-16

### **Только для европейских стран**

### **Декларация о соответствии ЕС**

**Makita Corporation, являясь ответственным производителем, заявляет, что следующие устройства Makita:**

Обозначение устройства:

Угловая шлифмашина

Модель/Тип: GA4040, GA4540, GA5040, GA6040

являются серийными изделиями и

**Соответствует следующим директивам ЕС:**  
2006/42/ЕС

И изготовлены в соответствии со следующими стандартами или нормативными документами:  
EN60745

Техническая документация хранится по адресу:  
Makita International Europe Ltd.  
Technical Department,  
Michigan Drive, Tongwell,  
Milton Keynes, Bucks MK15 8JD, England

17.8.2011



000230

Tomoyasu Kato  
Директор  
Makita Corporation  
3-11-8, Sumiyoshi-cho,  
Anjo, Aichi, 446-8502, JAPAN

GEA010-1

## Общие рекомендации по технике безопасности для электроинструментов

**⚠ ПРЕДУПРЕЖДЕНИЕ** Ознакомьтесь со всеми инструкциями и рекомендациями по технике безопасности. Невыполнение инструкций и рекомендаций может привести к поражению электротоком, пожару и/или тяжелым травмам.

**Сохраните брошюру с инструкциями и рекомендациями для дальнейшего использования.**

GEB033-7

## ПРАВИЛА ТЕХНИКИ БЕЗОПАСНОСТИ ПРИ ЭКСПЛУАТАЦИИ ШЛИФОВАЛЬНОГО СТАНКА

Общие предупреждения о безопасности для операций шлифования, зачистки, очистки проволочной щеткой и абразивной резки:

1. Данный электроинструмент предназначен для шлифования, зачистки, очистки проволочной щеткой и абразивной резки. Ознакомьтесь со всеми представленными инструкциями по технике безопасности, указаниями, иллюстрациями и техническими характеристиками, прилагаемыми к данному инструменту. Несоблюдение всех инструкций, указанных ниже, может привести к поражению электрическим током, пожару и/или серьезной травме.
2. Не рекомендуется пользоваться данным инструментом для выполнения таких операций, как полировка. Использование инструмента не по назначению может создать

опасную ситуацию и стать причиной травмы.

3. **Не используйте принадлежности других производителей, не рекомендованные производителем данного инструмента.** Даже если принадлежность удастся закрепить на инструменте, это не обеспечит безопасность эксплуатации.
4. **Номинальная скорость принадлежности должна быть как минимум равна максимальной скорости, обозначенной на инструменте.** При превышении номинальной скорости принадлежности последняя может разломиться на части.
5. **Внешний диаметр и толщина принадлежности должна соответствовать номинальной мощности инструмента.** Принадлежности неправильного размера не обеспечивают безопасность работы.
6. **Резьбовые отверстия дополнительных принадлежностей должны совпадать с резьбой шпинделя шлифовальной машины.** Для принадлежностей, устанавливаемых с помощью фланцев, отверстие для шпинделя на принадлежности должно соответствовать диаметру фланца. Несовпадении посадочного размера принадлежности и монтажного узла электроинструмента может привести к нарушению балансировки, сильной вибрации и к потере контроля над инструментом.
7. **Не используйте поврежденные принадлежности.** Перед каждым использованием принадлежностей типа абразивных кругов проверяйте их на наличие раскрашивания и трещин, проверьте опорные фланцы на наличие трещин, задиrow или чрезмерного износа, а проволочные щетки - на наличие выпавших или сломанных проволок. Если вы уронили инструмент или принадлежность, осмотрите их на предмет поврежденной либо установите неповрежденную принадлежность. После осмотра и установки принадлежности удалите посторонних из рабочей зоны, встаньте в стороне от плоскости вращения принадлежности и включите инструмент на максимальной мощности без нагрузки, да ему поработать в течение одной минуты. Поврежденные принадлежности в течение этого времени обычно ломаются.
8. **Надевайте средства индивидуальной защиты.** В зависимости от выполняемой операции надевайте предохранительный щиток для лица, защитные очки или защитную маску. При необходимости используйте респиратор, средства защиты слуха, перчатки и передник, способный

защитить от маленьких фрагментов абразива или заготовки. Средства защиты глаз должны быть способны остановить осколки, разлетающиеся при различных операциях. Противоопылевая маска или респиратор должны задерживать частицы, образующиеся при работе. Продолжительное воздействие громкого шума может привести к потере слуха.

9. **Посторонние должны находиться на безопасном расстоянии от рабочего места. Любой приближающийся к рабочему месту должен предварительно надеть индивидуальные средства защиты.** Осколки заготовки или сломавшейся принадлежности могут разлететься и причинить травму даже на значительном удалении от рабочего места.
10. **Если при выполнении работ существует риск контакта режущего инструмента со скрытой электропроводкой или собственным шнуром питания, держите электроинструмент только за специально предназначенные изолированные поверхности.** Контакт с проводом под напряжением приведет к тому, что металлические детали инструмента также будут под напряжением, что приведет к поражению оператора электрическим током.
11. **Располагайте шнур питания на удалении от вращающейся принадлежности.** Если вы не удержите инструмент, возможно случайное разрезание или повреждение шнура, а также затягивание руки вращающейся принадлежностью.
12. **Не кладите инструмент, пока принадлежность полностью не остановится.** Вращающаяся насадка может коснуться поверхности, и вы не удержите инструмент.
13. **Не включайте инструмент во время переноски.** Случайный контакт с вращающейся принадлежностью может привести к заземлению одежды и притягиванию принадлежности к телу.
14. **Регулярно прочищайте вентиляционные отверстия инструмента.** Вентилятор электродвигателя засасывает пыль внутрь корпуса, а значительные отложения металлической пыли могут привести к поражению электрическим током.
15. **Не используйте инструмент вблизи горючих материалов.** Эти материалы могут воспламениться от искр.
16. **Не используйте принадлежности, требующие жидкостного охлаждения.** Использование воды или других охлаждающих жидкостей может привести к поражению электротоком.

#### **Отдача и соответствующие предупреждения**

Отдача – это мгновенная реакция на неожиданное застопоривание вращающейся опорной подушки или другой принадлежности. Застревание или застопоривание вызывает резкий останов вращающейся принадлежности, что, в свою очередь, приводит к неконтролируемому рывку инструмента в направлении, противоположном вращению принадлежности в момент застревания. Например, если абразивный круг застопорится или застрянет в заготовке, край круга, входящий в точку заклинивания, может врезаться в поверхность материала, в результате чего круг поведет вверх или отбросит. Круг может совершить рывок в направлении оператора или обратно, в зависимости от направления перемещения круга в точке заклинивания. В такой ситуации абразивные круги могут даже сломаться.

Отдача – это результата неправильного использования инструмента и/или неправильных процедур или условий эксплуатации. Ее можно избежать, соблюдая предосторожности, указанные ниже.

- a) **Крепко держите инструмент и располагайте тело и руки таким образом, чтобы иметь возможность противостоять силе, возникающей при отдаче. Обязательно пользуйтесь вспомогательной рукояткой (если имеется), чтобы обеспечить максимальный контроль над отдачей или крутящим моментом во время пуска.** Оператор способен справиться с крутящим моментом и силами отдачи при условии соблюдения соответствующих мер безопасности.
- b) **Не подносите руки к вращающейся принадлежности.** При отдаче можно повредить руки.
- c) **Не становитесь на возможной траектории движения инструмента в случае отдачи.** При отдаче инструмент сместится в направлении, противоположном вращению колеса в момент застревания.
- d) **Соблюдайте особую осторожность при обработке углов, острых краев и т.п. Не допускайте рывков и блокировки принадлежности.** Углы, острые края или рывки могут привести к блокировке вращающейся принадлежности и стать причиной потери контроля или вызвать отдачу.
- e) **Не устанавливайте на инструмент пильную цепь, принадлежность для резьбы по дереву или дисковую пилу.** Такие насадки часто приводят к возникновению отдачи и потере контроля над инструментом.

## Специальные предупреждения о безопасности для операций шлифования и абразивной резки:

а) **Используйте круги только рекомендованных типов и специальные защитные приспособления, разработанные для выбранного круга.** Круги, не предназначенные для данного инструмента, не обеспечивают достаточную степень защиты и небезопасны.

б) **Шлифовальная поверхность дисков с вогнутым центром должна быть установлена под плоской поверхностью кромки ограждения.** Для неправильно установленного диска, выступающего над плоской поверхностью кромки ограждения, надлежащая защита не гарантируется.

с) **Ограждение должно быть надежно закреплено на инструменте и установлено так, чтобы обеспечивать максимальную безопасность, чтобы как можно меньший сегмент круга выступал наружу.** Ограждение помогает обезопасить оператора от разлета осколков разрушившегося круга, случайного прикосновения к кругу и искр, которые могут воспламенить одежду.

д) **Диски должны использоваться только по рекомендованному назначению.** Например: не шлифуйте краем отрезного диска. Абразивные отрезные диски предназначены для периферийного шлифования, боковые усилия, приложенные к таким дискам, могут вызвать их разрушение.

е) **Обязательно используйте неповрежденные фланцы для дисков соответствующего размера и формы.** Подходящие фланцы поддерживают диск, снижая вероятность его разрушения. Фланцы для отрезных дисков могут отличаться от фланцев для шлифовальных дисков.

ф) **Не используйте изношенные диски от более крупных электроинструментов.** Диски, предназначенные для более мощного электроинструмента, не подходят для высокоскоростного электроинструмента меньшей мощности и могут разорваться.

## Дополнительные специальные предупреждения о безопасности для операций абразивной резки:

а) **Не "заклинивайте" отрезной круг и не прикладывайте к нему чрезмерное давление.** Не пытайтесь делать слишком глубокий разрез. Перенапряжение круга увеличивает его нагрузку и восприимчивость к короблению или прихватуванию в прорези, а также возможность отдачи или полочки круга.

б) **Не становитесь на одной линии или позади вращающегося круга.** Если во время операции круг движется от вас, то при отдаче вращающийся круг и инструмент может

отбросить прямо на вас.

с) **Если круг прихватуывает или процесс резания прерывается по другой причине, выключите электроинструмент и держите его неподвижно до полной остановки круга.** Не пытайтесь извлечь отрезной круг из разреза до полного останова круга, в противном случае может возникнуть отдача. Выясните и устраните причину прихватувания круга.

д) **Не перезапускайте отрезной круг, пока он находится в детали.** Дождитесь, пока круг разовьет максимальную скорость, и осторожно погрузите его в разрез. Круг может застрять, отбросить вверх или назад, если перезапустить электроинструмент непосредственно в детали.

е) **Устанавливайте опоры под панели или большие детали, чтобы уменьшить риск застревания круга и возникновения отдачи.** Большие детали имеют тенденцию к прогибу под собственным весом. При резании таких панелей необходимо поместить опоры под разрезаемой деталью рядом с линией разреза и рядом с краем детали с обеих сторон круга.

ф) **Будьте особенно осторожны при выполнении "врезки" в существующих стенах или на других неизвестных участках.** Выступающий круг может натолкнуться на газовую или водопроводную трубу, электропроводку или предметы, которые могут привести к отдаче.

## Специфические инструкции по технике безопасности, относящиеся к операциям шлифовки:

а) **Не пользуйтесь шлифовальным диском слишком большого размера.** При выборе надлежащего размера следуйте рекомендациям производителя. Большие размеры наждачной бумаги, выступающей за края подложки, могут привести к разрыву бумаги, застреванию, разрушению диска или отдаче.

## Специфические инструкции по технике безопасности, относящиеся к операциям очистки проволочной щеткой:

а) **Берегитесь проволок, которые разлетаются от щетки даже в нормальном режиме работы.** Не прикладывайте чрезмерное усилие на проволоку, слишком сильно нажимая на щетку. Проволока щетки может легко пробить одежду и/или кожу.

б) **Если для работы по очистке проволочными щётками рекомендуется использовать ограждение, не допускайте бienia проволочного круга или щетки об ограждение.** Проволочный круг или щётка могут увеличиваться в диаметре под воздействием нагрузки и центробежных сил.

Дополнительные предупреждения по безопасности:

17. При использовании дисков с вогнутым центром используйте только диски с упрочением стекловолокном.
18. **ЗАПРЕЩАЕТСЯ ИСПОЛЬЗОВАТЬ** с этим инструментом чашеобразный шлифовальный круг. Данная шлифовальная машина не предназначена для кругов такого типа, их использование может привести к тяжелой травме.
19. Будьте осторожны во избежание повреждения шпинделя, фланца (особенно его установочной поверхности) или стопорной гайки. Повреждения этих деталей могут привести к поломке круга.
20. Перед включением выключателя убедитесь, что диск не касается детали.
21. Перед тем, как использовать инструмент для фактических работ, дайте ему немного поработать вхолостую. Следите за вибрацией или биением, которые могут свидетельствовать о неправильной установке или плохой балансировке круга.
22. Для выполнения шлифовки пользуйтесь соответствующей поверхностью диска.
23. Не оставляйте работающий инструмент без присмотра. Включайте инструмент только тогда, когда он находится в руках.
24. Сразу после окончания работ не прикасайтесь к обработанной детали. Она может быть очень горячей, что приведет к ожогам кожи.
25. Соблюдайте инструкции изготовителя по правильной установке и использованию дисков. Бережно обращайтесь с дисками и аккуратно храните их.
26. Не пользуйтесь отдельными переходными втулками или адаптерами для крепления абразивных дисков с большими отверстиями.
27. Используйте только фланцы, указанные для данного инструмента.
28. Для инструментов, предназначенных для использования дисков с резьбовым отверстием, убедитесь, что резьба диска достаточна, чтобы диск можно было полностью завернуть на шпиндель.
29. Убедитесь, что обрабатываемая деталь имеет надлежащую опору.
30. Обратите внимание на то, что диск будет некоторое время вращаться после выключения инструмента.
31. Если в месте выполнения работ очень высокая температура и влажность или в ней содержится большое количество токопроводящей пыли, используйте прерыватель цепи (30 мА) для обеспечения

безопасности работ.

32. Не используйте инструмент на любых материалах, содержащих асбест.
33. При использовании отрезного диска, всегда работайте с предохранительным ограждением диска для сбора пыли, установка которого необходима в соответствии с местными нормативными требованиями.
34. Не подвергайте отрезные круги какому-либо боковому давлению.

## **СОХРАНИТЕ ДАННЫЕ ИНСТРУКЦИИ.**

### **△ПРЕДУПРЕЖДЕНИ:**

**НЕ ДОПУСКАЙТЕ**, чтобы удобство или опыт эксплуатации данного устройства (полученный от многократного использования) доминировали над строгим соблюдением правил техники безопасности при обращении с этим устройством. **НЕПРАВИЛЬНОЕ ИСПОЛЬЗОВАНИЕ** инструмента или несоблюдение правил техники безопасности, указанных в данном руководстве, может привести к тяжелой травме.



# ОПИСАНИЕ ФУНКЦИОНИРОВАНИЯ

## ⚠️ ПРЕДУПРЕЖДЕНИ:

- Перед проведением регулировки или проверки работы инструмента всегда проверяйте, что инструмент выключен, а шнур питания вынут из розетки.

## Замок вала

### Рис.1

## ⚠️ ПРЕДУПРЕЖДЕНИ:

- Никогда не задействуйте замок вала при вращающемся шпинделе. Это может привести к повреждению инструмента.

Нажмите на замок вала для предотвращения вращения шпинделя при установке или снятии дополнительных принадлежностей.

## Действие переключения

### Рис.2

## ⚠️ ПРЕДУПРЕЖДЕНИ:

- Перед включением штекера инструмента в розетку питания, всегда проверяйте, что ползунковый переключатель работает надлежащим образом и возвращается в положение "ВЫКЛ" при нажатии на заднюю часть ползункового переключателя.
- Переключатель можно заблокировать в положении "ВКЛ" для удобства оператора при продолжительном использовании. Будьте осторожны при блокировке инструмента в положении "ВКЛ" и продолжайте крепко удерживать инструмент.

Для включения инструмента переместите сдвижной переключатель в положение "I (ВКЛ.)", нажав на заднюю часть переключателя. При продолжительном использовании нажмите на переднюю часть переключателя для его блокировки в нужном положении.

Для остановки инструмента нажмите на заднюю часть переключателя, после чего передвиньте его в положение "O" ("ВЫКЛ").

# МОНТАЖ

## ⚠️ ПРЕДУПРЕЖДЕНИ:

- Перед проведением каких-либо работ с инструментом всегда проверяйте, что инструмент выключен, а шнур питания вынут из розетки.

## Установка боковой рукоятки (ручки)

### Рис.3

## ⚠️ ПРЕДУПРЕЖДЕНИ:

- Перед работой всегда проверяйте надежность крепления боковой рукоятки.

Прочно закрепите боковую рукоятку на месте, как показано на рисунке.

## Установка или снятие защитного кожуха (для диска с углубленным центром, откидного диска, гибкого диска, дисковой проволочной щетки / абразивного отрезного диска, алмазного диска)

## ⚠️ ПРЕДУПРЕЖДЕНИ:

- При использовании диска с углубленным центром / откидного диска, гибкого диска или дисковой проволочной щетки установите защитный кожух так, чтобы закрытая сторона кожуха была направлена к оператору.
- При использовании абразивного отрезного круга/алмазного круга может применяться только специальный защитный кожух, предназначенный для отрезных кругов. (В некоторых странах Европы при использовании алмазного круга можно использовать обычное ограждение. Следуйте нормативам, действующим в вашей стране).

## Для инструмента с ограждением диска со стопорным болтом

### Рис.4

Установите защитный кожух так, чтобы выступы на его хомуте совместились с пазами на коробке подшипника. Затем поверните защитный кожух на 180 ° против часовой стрелки. Проверьте, чтобы винт был надежно затянут.

Для снятия кожуха диска выполните процедуру установки в обратном порядке.

## Для инструмента с ограждением диска с зажимным рычагом

### Рис.5

Ослабьте винт и подайте рычаг в направлении, указанном стрелкой. Установите защитный кожух так, чтобы выступы на его хомуте совместились с пазами на коробке подшипника. Затем поверните защитный кожух на 180 °.

### Рис.6

Потянув рычаг по стрелке, зафиксируйте ограждение диска винтом. Регулировка установочного угла ограждения диска выполняется при помощи рычага. Для снятия кожуха диска выполните процедуру установки в обратном порядке.

### Установка и снятие диска с углубленным центром или откидного диска (поставляется отдельно)

#### ⚠️ ПРЕДУПРЕЖДЕНИ:

- При использовании диска с углубленным центром / откидного диска ограждение диска должно быть установлено так, чтобы его закрытая сторона была обращена к оператору.

### Рис.7

Установите внутренний фланец на шпindelь. Наденьте диск/круг на внутренний фланец и вкрутите стопорную гайку на шпindelь.

### Рис.8

Для затяжки стопорной гайки, сильно надавите на замок вала, чтобы шпindelь не проворачивался, затем воспользуйтесь ключом стопорной гайки и крепко затяните ее по часовой стрелке.

Для снятия диска выполните процедуру установки в обратном порядке.

### Быстрозажимной фланец (поставляется отдельно)

Модели с буквой F стандартно комплектуются быстрозажимным фланцем. По сравнению с обычным типом для откручивания гайки требуется только 1/3 обычного усилия.

### Установка или снятие гайки Ezyput (дополнительная принадлежность)

#### ⚠️ ПРЕДУПРЕЖДЕНИ:

- Не используйте гайку Ezyput с быстрозажимным фланцем или угловой шлифовальной машиной, в конце модели которой указана буква «F». Толщина этих фланцев слишком велика, поэтому шпindelь не сможет удерживать всю резьбу.

### Рис.9

Установите внутренний фланец, абразивный диск и гайку Ezyput на шпindelь таким образом, чтобы логотип «Makita» на гайке Ezyput был направлен наружу.

### Рис.10

Сильно нажмите на замок вала и затяните гайку Ezyput, повернув абразивный диск по часовой стрелке до упора.

Чтобы ослабить гайку Ezyput, поверните ее внешнее кольцо против часовой стрелки.

### Рис.11

### Рис.12

#### Примечание:

- Пока стрелка указывает на выемку, гайку Ezyput можно ослабить вручную. В противном случае необходим ключ для стопорной гайки, чтобы ослабить ее. Вставьте один штифт ключа в отверстие и поверните Ezyput против часовой стрелки.

### Порядок установки или снятия гибкого диска (поставляется отдельно)

#### ⚠️ ПРЕДУПРЕЖДЕНИ:

- При установке на инструмент гибкого диска обязательно используйте прилагаемый кожух. Во время работы диск может разрушиться, и защитный кожух снизит риск получения травмы.

### Рис.13

Следуйте указаниям для диска с углубленным центром, а также установите над диском пластмассовую накладку. Порядок сборки см. на соответствующей странице данного руководства.

### Установка или снятие абразивного диска (дополнительная принадлежность)

#### Примечание:

- Используйте принадлежности для шлифования, указанные в данном руководстве. Их следует приобрести отдельно.

### Рис.14

Установите резиновый опорный фланец на шпindelь. Установите диск на резиновый опорный фланец и наведите на шпindelь стопорную гайку шлифовального блока. При затяжке стопорной гайки шлифовального блока нажмите кнопку блокировки вала, чтобы шпindelь не проворачивался, а затем надежно затяните стопорную гайку по часовой стрелке при помощи прилагаемого специального ключа.

Для снятия диска выполните процедуру установки в обратном порядке.

### Порядок установки или снятия пылезащитной крышки (дополнительное приспособление)

#### ⚠️ ПРЕДУПРЕЖДЕНИ:

- Перед установкой и снятием кожуха диска обязательно выключайте инструмент и отсоединяйте его от электросети. В противном случае можно повредить инструмент или получить травму.

Инструмент поставляется с четырьмя пылезащитными крышками, каждая из которых используется в различных ситуациях.

### Рис.15

Установите пылезащитную крышку так, чтобы метка (А, В, С или D) находилась в месте, показанном на рисунке. Защелкните штифты в отверстиях. Снять пылезащитную крышку можно рукой.

использования, можно будет перемещать круг в направлениях А и В.

#### Примечание:

- При засорении пылезащитной крышки пылью или посторонними веществами очистите ее. Продолжение эксплуатации инструмента с засоренной пылезащитной крышкой приведет к повреждению инструмента.

## ЭКСПЛУАТАЦИЯ

### ⚠️ ПРЕДУПРЕЖДЕНИ:

- Никогда не прилагайте к инструменту усилий. Вес инструмента создает адекватное давление. Чрезмерное усилие и давление могут привести к опасному разрушению диска.
- ВСЕГДА меняйте диск, если при шлифовании инструмент упал.
- НИКОГДА не ударяйте и не бейте шлифовальный диск или круг об обрабатываемую деталь.
- Избегайте подпрыгивания и зацепления диска, особенно при обработке углов, острых краев и т.д. Это может привести к потере управления и отдаче.
- Никогда не используйте инструмент с полотнами для обработки дерева или другими дисковыми пилами. При использовании на шлифмашине такие пилы часто выскочивают, выходят из-под контроля и приводят к травмам.

### ⚠️ ПРЕДУПРЕЖДЕНИ:

- Никогда не включайте инструмент, если он касается обрабатываемого изделия. Это может стать причиной травмы оператора.
- Во время выполнения операции всегда надевайте защитные очки или защитную маску.
- После работы всегда отключайте инструмент и дожидайтесь полной остановки диска перед тем, как положить инструмент.

## Шлифовка и зачистка

### Рис.16

ВСЕГДА крепко держите инструмент, положив одну руку на корпус, а вторую - на боковую ручку. Включите инструмент, а затем прижмите круг или диск к обрабатываемой детали.

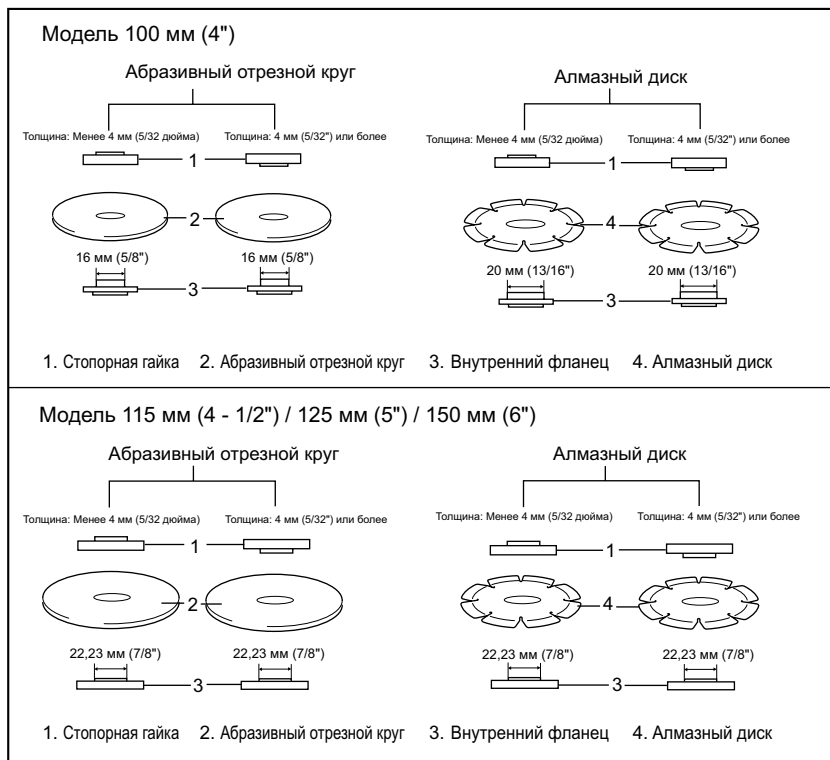
Обычно следует держать край круга или диска под углом примерно  $15^\circ$  к поверхности обрабатываемой детали.

В период приработки нового шлифовального круга не перемещайте шлифовальную машину в направлении В, поскольку круг может врезаться в деталь. После того как кромка круга закруглится от

## Выполнение работ с абразивным отрезным диском/алмазным диском (дополнительная принадлежность)

Рис.17

Направление установки стопорной гайки и внутреннего фланца зависит от толщины диска. См. таблицу ниже.



012746

### ⚠️ ПРЕДУПРЕЖДЕНИЯ:

- При использовании абразивного отрезного круга/алмазного круга может применяться только специальный защитный кожух, предназначенный для отрезных кругов. (В некоторых странах Европы при использовании алмазного круга можно использовать обычное ограждение. Следуйте нормативам, действующим в вашей стране).
- НЕЛЬЗЯ использовать отрезной круг для шлифовки боковой поверхностью.
- Не "заклинивайте" круг и не прикладываете к нему чрезмерное давление. Не пытайтесь чрезмерно увеличить глубину резания.
- Перенапряжение круга увеличивает его нагрузку и восприимчивость к короблению или прихвату в прорези, а также возможность отдачи, поломки круга и перегрева электродвигателя.
- Не запускайте отрезной круг, пока он находится в детали. Дайте кругу раскрутиться до максимальной скорости, а затем осторожно введите в разрез, перемещая инструмент вперед по поверхности обрабатываемой детали. При перезапуске электроинструмента, углубившегося в деталь, возможно прихватывание круга, его выскакивание или отдача.
- Во время операций резания нельзя менять угол наклона круга. Боковое давление на отрезной круг (как при шлифовке) приводит к

растрескиванию и разрушению круга, в результате чего возможны серьезные травмы.

- Работы с алмазным диском необходимо выполнять, удерживая его перпендикулярно к рабочей поверхности.

### **Выполнение работ с чашечной проволочной щеткой (дополнительная принадлежность)**

#### **⚠️ ПРЕДУПРЕЖДЕНИ:**

- Проверьте работу щетки, запустив инструмент на холостом ходу, предварительно убедившись, что никто не находится перед ним или на одной линии со щеткой.
- Не используйте поврежденную или разбалансированную щетку. Использование поврежденной щетки может увеличить опасность получения травм от контакта с проволокой.

#### **Рис.18**

Отсоедините инструмент от розетки и положите шпинделем вверх, чтобы обеспечить легкий доступ к шпинделю. Снимите насадку со шпинделя. Наверните проволочную чашечную щетку на шпиндель и затяните прилагаемым ключом. При использовании щетки не нажимайте на нее слишком сильно: это вызывает чрезмерный изгиб проволоки и ведет к преждевременной поломке.

### **Выполнение работ с дисковой проволочной щеткой (дополнительная принадлежность)**

#### **⚠️ ПРЕДУПРЕЖДЕНИ:**

- Проверьте работу дисковой проволочной щетки, запустив инструмент на холостом ходу, предварительно убедившись, что никто не находится перед ним или на одной линии с дисковой проволочной щеткой.
- Не используйте поврежденную или разбалансированную дисковую проволочную щетку. Использование поврежденной дисковой проволочной щетки может увеличить опасность получения травм от контакта с проволокой.
- При работе с дисковой проволочной щеткой **ВСЕГДА** используйте защитный кожух, убедившись, что диаметр диска соответствует внутреннему диаметру кожуха. Во время работы диск может разрушиться, защитный кожух в таком случае снизит риск получения травм.

#### **Рис.19**

Отключите инструмент от питания и расположите его дисковой частью вверх, что позволит легко получить доступ к шпинделю. Снимите со шпинделя все дополнительные принадлежности. Установите дисковую проволочную щетку на шпиндель и затяните ее с помощью ключей.

При использовании дисковой проволочной щетки старайтесь не прикладывать к ней чрезмерное давление, поскольку в таком случае проволока может погнуться, что преждевременно приведет щетку в негодность.

## **ТЕХОБСЛУЖИВАНИЕ**

#### **⚠️ ПРЕДУПРЕЖДЕНИ:**

- Перед проверкой или проведением техобслуживания всегда проверяйте, что инструмент выключен, а штекер отсоединен от розетки.
- Запрещается использовать бензин, лигроин, растворитель, спирт и т.п. Это может привести к изменению цвета, деформации и появлению трещин.

#### **Рис.20**

Инструмент и его вентиляционные отверстия должны содержаться в чистоте. Производите регулярную очистку вентиляционных отверстий инструмента, или очищайте их в том случае, если отверстия станут засоряться.

Для обеспечения **БЕЗОПАСНОСТИ** и **НАДЕЖНОСТИ** изделия, ремонт, проверка и замена угольных щеток и любые другие работы по техобслуживанию или регулировке должны осуществляться в уполномоченных сервис-центрах Makita с использованием запасных частей только производства компании Makita.

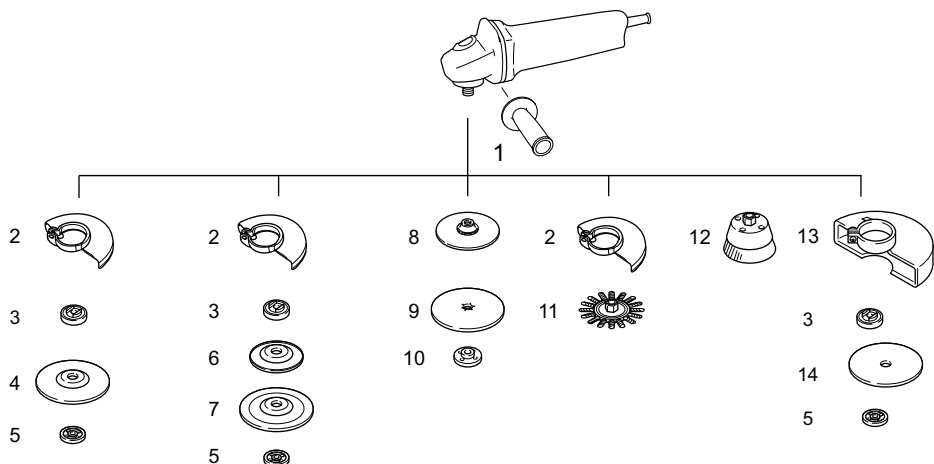
## **ДОПОЛНИТЕЛЬНЫЕ АКСЕССУАРЫ**

#### **⚠️ ПРЕДУПРЕЖДЕНИ:**

- Эти принадлежности или насадки рекомендуется использовать вместе с Вашим инструментом Makita, описанным в данном руководстве. Использование каких-либо других принадлежностей или насадок может представлять опасность получения травм. Используйте принадлежность или насадку только по указанному назначению.

Если Вам необходимо содействие в получении дополнительной информации по этим принадлежностям, свяжитесь со своим местным сервис-центром Makita.

- Крепление пылезащитного чехла



	Модель 100 мм (4")	Модель 115 мм (4-1/2")	Модель 125 мм (5")	Модель 150 мм (6")
1	Рукоятка 36			
2	Защитный кожух (для шлифовального диска)			
3	Внутренний фланец	Внутренний фланец Быстрозажимной фланец	Внутренний фланец Быстрозажимной фланец	Внутренний фланец Быстрозажимной фланец
4	Диск с вогнутым центром/откидной диск			
5	Стопорная гайка	Стопорная гайка Гайка Ezynut *1	Стопорная гайка Гайка Ezynut *1	Стопорная гайка Гайка Ezynut *1
6	Пластмассовая подушка	Пластмассовая подушка	Пластмассовая подушка	-
7	Гибкий диск	Гибкий диск	Гибкий диск	-
8	Резиновый опорный фланец 76	Резиновый опорный фланец 100	Резиновый опорный фланец 115	Резиновый опорный фланец 125
9	Абразивный диск			
10	Шлифовальная стопорная гайка			
11	Дисковая проволочная щетка			
12	Крышка с проводом щетки			
13	Защитный кожух (для отрезного круга) *2			
14	Абразивный отрезной круг/алмазный круг			
-	Ключ стопорной гайки			

Примечание.

\*1 Не используйте суперфланец с гайкой Ezynut.

\*2 В некоторых странах Европы при использовании алмазного круга можно использовать обычное ограждение вместо специального, закрывающего обе стороны круга. Следуйте нормативам, действующим в вашей стране.

013732

**Примечание:**

- Некоторые элементы списка могут водить в комплект инструмента в качестве стандартных приспособлений. Они могут отличаться в зависимости от страны.



**Makita Corporation**  
Anjo, Aichi, Japan

885105-839

[www.makita.com](http://www.makita.com)